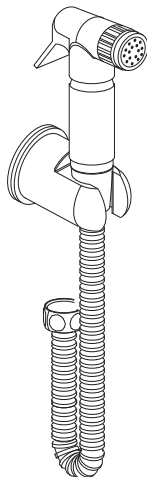


Douche Shower Kit with Wall Bracket



Fitting Instructions

Please follow them carefully and leave this manual with end user

Items Included:

- A. Douche Spray Head
- B. Rawl Plugs (x2)
- C. Wall Bracket
- D. Screws (x2)
- E. Shower Hose

Diagrams are for illustration purposes only. Your Douche Shower Spray Kit may superficially differ from this drawing however the installation guide steps still apply.

Tools Required (Not included):

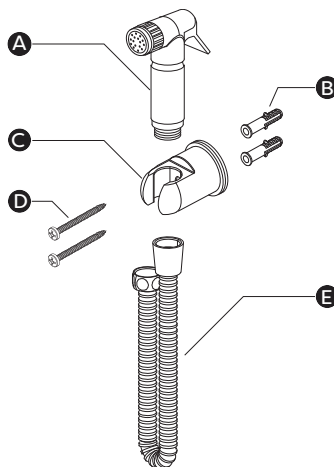
Ensure the appropriate PPE is used during installation



Power Drill



Screwdriver



Recycling and Disposal:

Please recycle the packaging in accordance with your local government regulations on waste handling and follow the same advice at the end of the products life.

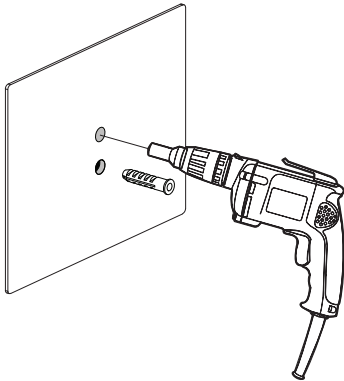
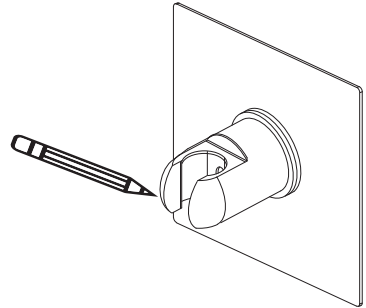
Before you begin:

1. **We recommend that this product is installed by a qualified tradesperson.** Victorian Plumbing Ltd. accept no liability for products incorrectly installed or any damage to the floor, walls, plumbing, curtain rail, or personal injury during installation.
2. **Check the chosen wall space for any pipes/cables prior to drilling.**
3. Observe all local building codes & regulations.
4. **Ensure the incoming mains water supply is switched off prior to commencing the installation.**
5. Unpack the product then read these instructions before proceeding. Inspect the product for damage. If any damage is found, contact our Customer Relations team.

Installation:

Step 1:

- Confirm the position of the 'Wall Bracket' mark the fixing points to the wall ready for drilling. Ensure the markings are level.



Step 2:

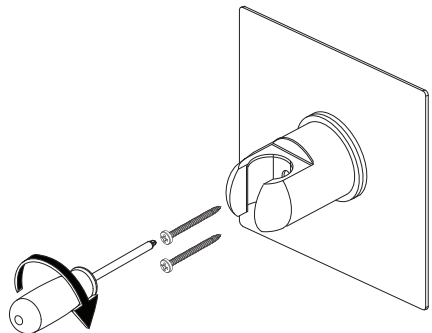
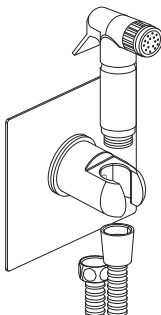
Using an appropriate sized drill bit, carefully drill the holes in the wall, then insert the rawl plugs.



Warning:
Check the chosen wall space for any pipes/cables prior to drilling!

Step 3:

Position the 'Wall Bracket' over the rawl plugs in the wall. Secure the bracket into place using the screws provided, tighten with a screwdriver.



Step 4:

Attach the 'Shower Hose' to the 'Douche Spray Head', then connect the hose to your chosen supply valve. Turn on the water supply, run the douche kit and check all connections for any leaks.

Ensure that the douche valve is in the off position during periods of non-use. Failure to do so can cause the douche to leak any may invalidate your guarantee.