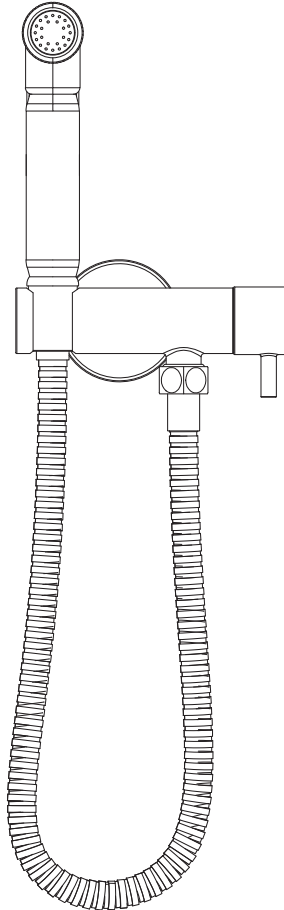




**victorian
plumbing.co.uk**

**Douche Shower Kit with
Shut Off Valve**



Fitting Instructions

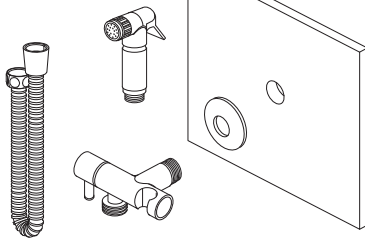
Please follow them carefully and
leave this manual with end user

Before you begin:

1. **We recommend that this product is installed by a qualified tradesperson**, Victorian Plumbing Ltd. accept no liability for products incorrectly installed, or where the correct testing procedures have not been adhered to, thus resulting in the escape of water and consequential damage.
2. Ensure the supply pipes have been thoroughly flushed to remove any debris.
3. Ensure the incoming mains water supply is switched off prior to commencing the installation.
4. Observe all local plumbing and building codes & regulations.
5. Unpack the product then read these instructions before proceeding. Inspect the product for damage. If any damage is found, contact our Customer Relations team.

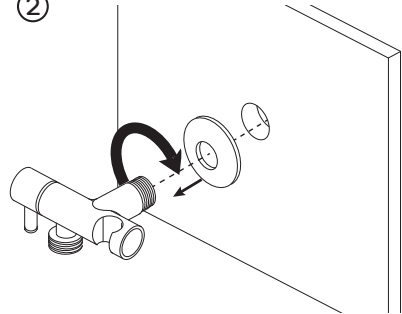
Installation:

①



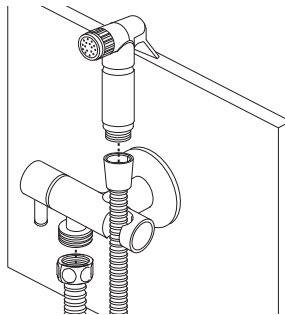
Make sure that all components are present prior to installation. Ensure the chosen wall selected has been prepared.

②



Place the cover cap over the tail of the valve body. Wrap PTFE sealing tape onto the threaded tails of the valve body and connect to the water outlet.

③



Attach the selected hose and shower handset to the bar valve. Turn on the mains water supply, check all joints/connections for any leaks.

Diagrams are for illustration purposes only. Your Douche Bar Valve may superficially differ from this drawing however the installation guide steps still apply.

Ensure that the douche valve is in the off position during periods of non-use. Failure to do so can cause the douche to leak any may invalidate your guarantee.