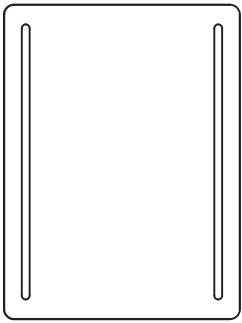


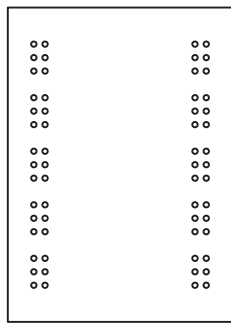
MODE

BATHROOMS

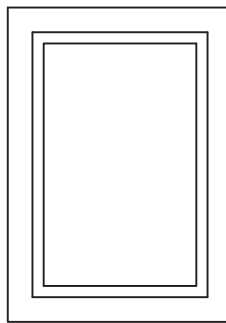
LED MIRRORS



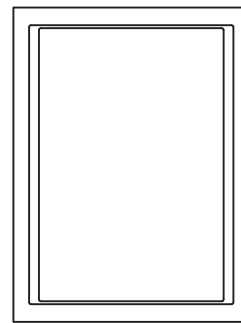
3060-L-6080
(Power Rating:16.8W)



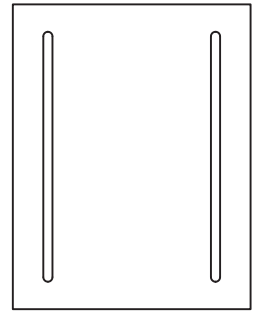
3061-L-5070
(Power Rating:4.2W)



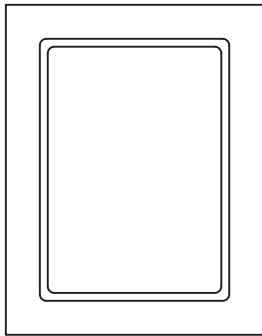
3121-L-5070
(Power Rating:18W)



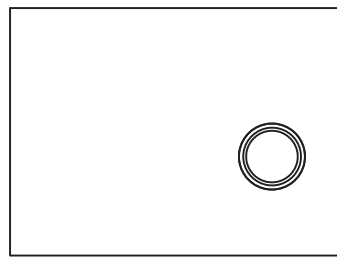
3095-L-6080
(Power Rating:24W)



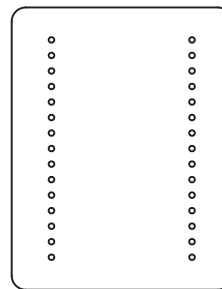
3060-L-3950
(Power Rating:2.1W)



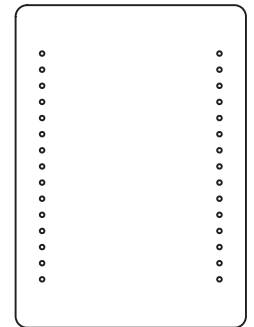
3120-L-3950
(Power Rating:3.36W)



3096-L-8060
(Power Rating:5.04W)



3069-L-3950
(Power Rating:3W)



3069-L-5070
(Power Rating:3W)

Exclusively available @

VictoriaPlum.com

VictoriaPlum.com

BEFORE YOU START, HERE IS SOME IMPORTANT INFORMATION.

1) General Information

Please inspect this product upon delivery. Any missing parts or manufacturing defects must be reported immediately to the supplier. Damage or defects reported later will not be accepted. TAKE CARE WHEN HANDLING GLASS PARTS- AVOID HEAVY CONTACT BETWEEN THE GLASS EDGES AND ANY HARD SURFACE. Glass breakage claims will not be accepted after the product has been unpacked.

2) Additional Notes

Please read these instructions carefully before starting installation.

Special care should be taken when drilling walls to avoid hidden pipes or electrical cables.

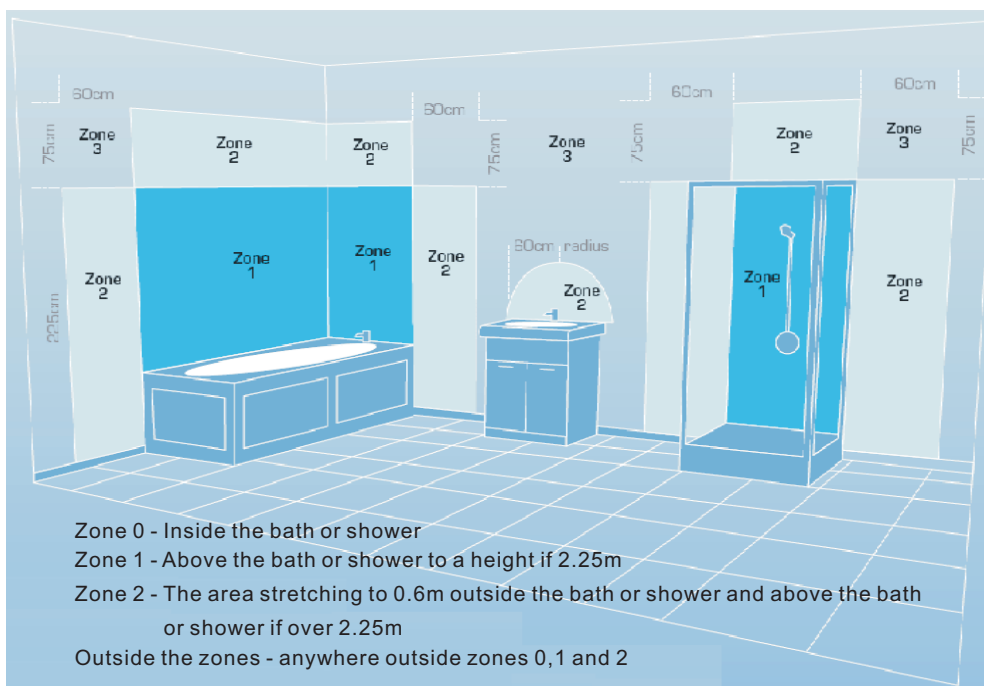
Note: This product may require two people to install.







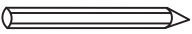

This product should ONLY be installed by a qualified electrician.

WHERE TO INSTALL THIS MIRROR

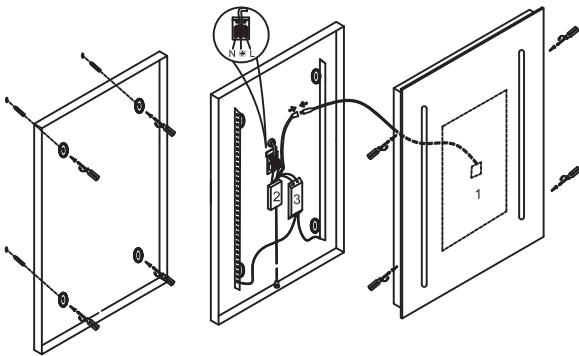
This mirror is IP44 rated and is suitable for installation in Zones 2 or beyond.



TOOLS REQUIRED

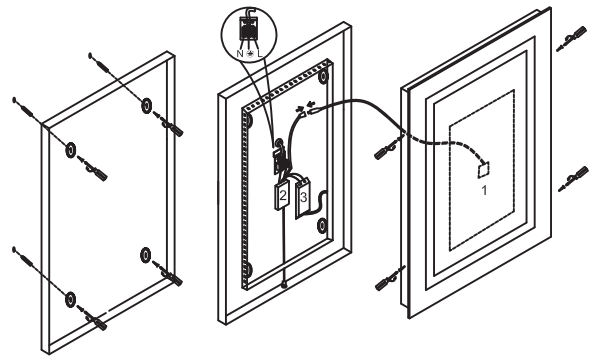
Description	Parts Image	Description	Parts Image
Tape Measure		Drill	
Spirit Level		Cross Head Screwdriver	
Pencil		Ø8mm Drill Bit	

ASSEMBLY DRAWING



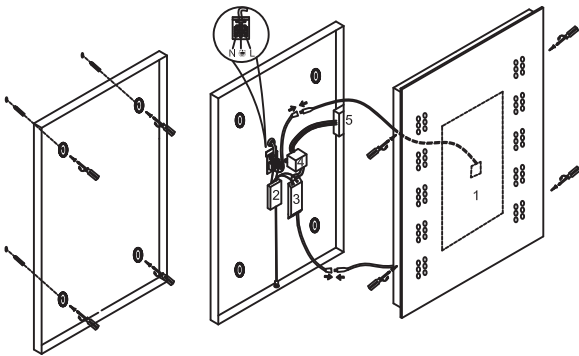
3060-L-3950 / 3060-L-6080

- 1 Demister pad
- 2 IR motion sensor
- 3 LED driver



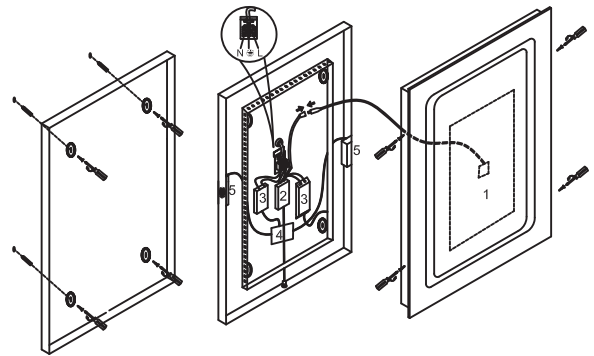
3120-L-3950 / 3121-L-5070

- 1 Demister pad
- 2 IR motion sensor
- 3 LED driver



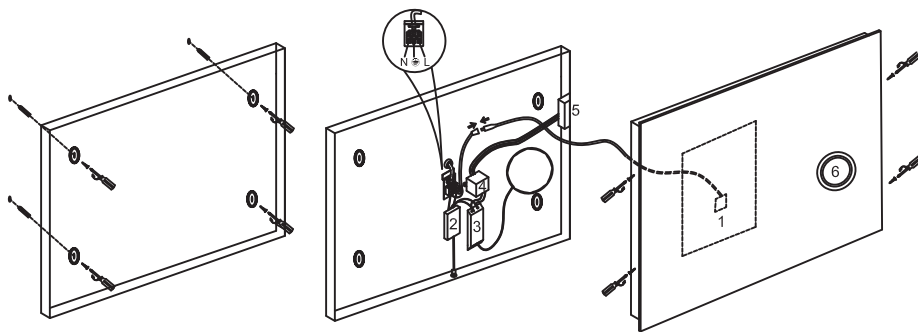
3061-L-5070

- 1 Demister pad
- 2 IR motion sensor
- 3 LED driver
- 4 Isolating transformer



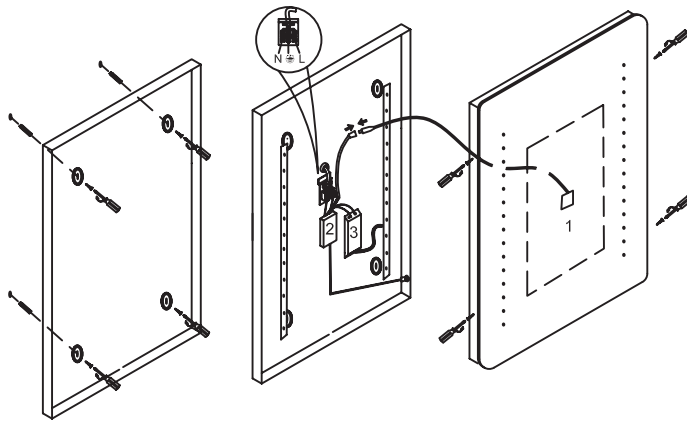
3095-L-6080

- 1 Demister pad
- 2 IR motion sensor
- 3 LED driver
- 4 Bluetooth module



3096-L-8060

- 1 Demister pad
- 2 IR motion sensor
- 3 LED driver
- 4 Isolating transformer
- 5 Shaver socket
- 6 3x magnifying mirror



3069-L-3950 / 3069-L-5070

- 1 Demister pad
- 2 IR motion sensor
- 3 LED driver

INSTALLATION STEPS

STEP 1

ISOLATE THE MAINS POWER SUPPLY TO THE ELECTRICAL FEED THAT WILL POWER YOUR MIRROR.

STEP 2

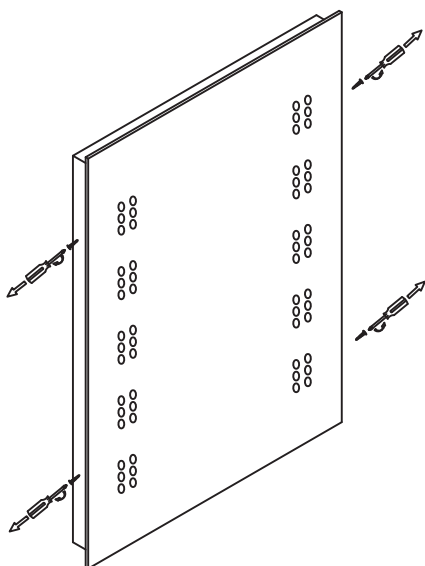
Do not stand the mirror upright on hard surfaces whilst fitting, as this will damage the corners. Unscrew the front of the mirror from the metal back box.

STEP 3

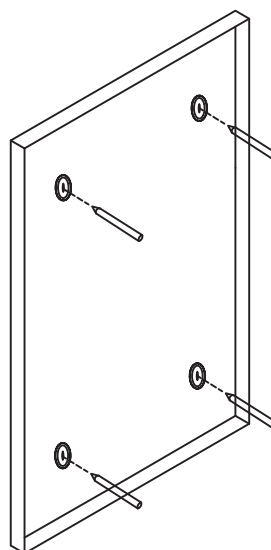
Put the back box on the wall, ensuring your power supply cable will reach the connection block. Carefully mark the positions of the four mounting holes on the wall through the predrilled holes in the back box, using a pencil and a spirit level.

STEP 4

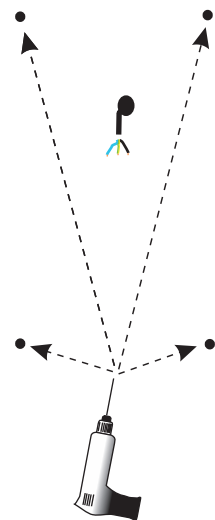
Remove the back box from the wall, and drill the four holes into the wall using a suitable drill bit.



STEP 2



STEP 3



STEP 4

STEP 5

Insert the wall plugs and fix the back box to the wall using the screws provided.

NOTE: As the mounting surfaces vary, please ensure adequate fixings are used. Fixings supplied are not suitable for all mounting surfaces, e.g. plaster board.

STEP 6

Wire the main power supply to the terminal block on the back box as follows.

RED OR BROWN --- TERMINAL MARKED L (LIVE)

BLACK OR BLUE --- TERMINAL MARKED N (NEUTRAL)

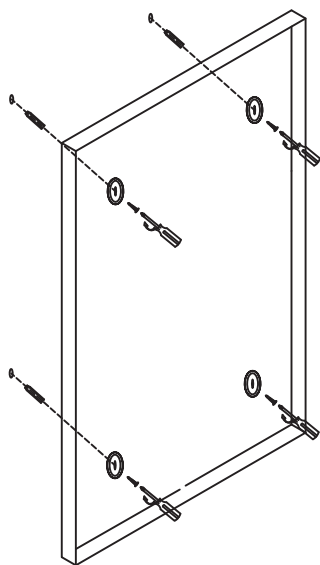
GREEN & YELLOW --- TERMINAL MARKED E OR ⊕

WARNING: This appliance must be earthed.

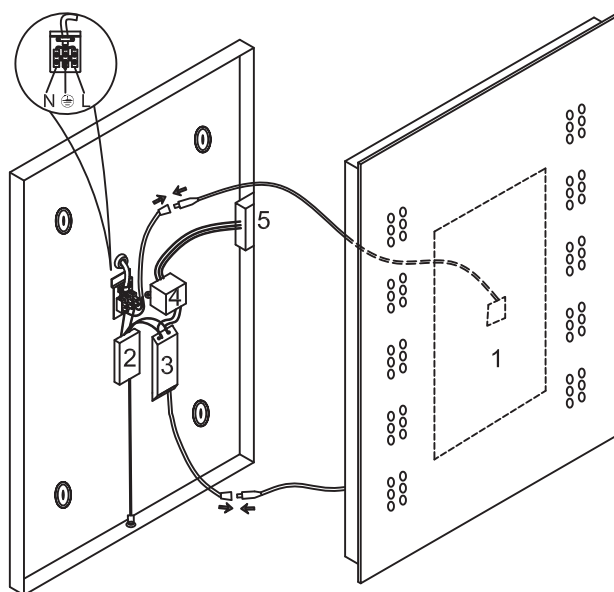
IMPORTANT: Before you fit the front mirror, please connect the wirings of demister pad for all of the mirrors.

For the item 3061-L-5070 and 3069-L-5070, please also connect the wirings of LED strips to the output of LED driver.

For the other items, the LED strips are pre-connected.



STEP 5



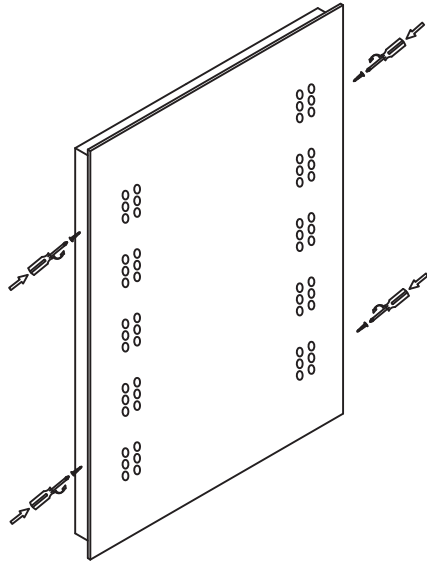
STEP 6

STEP 7

Screw the front mirror to the back box using the screws provided.

STEP 8

Peel off the protective film from the mirror and clean with a soft cloth.



STEP 7

Bluetooth Wireless Technology Operation Guide

- The Bluetooth is always activated when the mirror is connected to the main power supply, which ensures your device can connect to the Bluetooth even if the lights are turned off.
- Activate the Bluetooth on your device and **search for 'RRD-126L'**. The mirror will give out a tone to confirm the connection is successful.
- Play the music which will come out from your mirror. Adjust the volume on your device.
- Music will pause when a phone call comes into your device, and will automatically play after the calling is finished.

Symptoms	Possible Problem	Solution
No connection	Only one device can be connected to the mirror at one time	Disconnect all devices and reconnect one device
No volume	Volume is only controlled from device	Adjust volume on device
Voice is fitful or disappeared	Out of range	Move device closer to mirror

CARE AND MAINTENANCE

1) AFTER CARE INSTRUCTIONS

It is recommended that mirrors are cleaned with a soft, dry, non-abrasive cloth. Do not use abrasive cleaning materials, or chemical cleaners as this will damage the mirror surface and edges.

2) MAINTENANCE

The supplier accepts no liability for any type of use of care other than those contained in this instruction. The supplier reserves the right to introduce technical changes without notice.

COMMITMENT TO QUALITY

It is our intention that the quality and functions of this product are of the highest standard. If you require help, we advise you firstly contact a qualified electrician. However we understand that this may not always be the case. So should you experience any problems, please contact our customer services quoting the following:

Product name: LED Mirrors

Product code: As shown on the first page

NOTE:

The packaging you have received with your product is 100% recyclable.

It must be disposed of in a safe and environmentally friendly way.

We suggest you take it to the local landfill site and discard it in the designated bins.