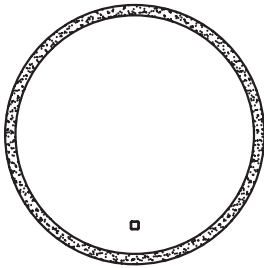


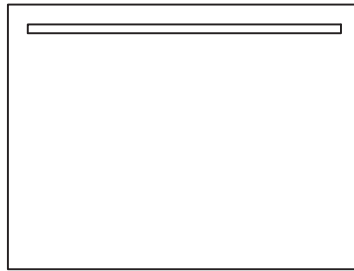
MODE

BATHROOMS

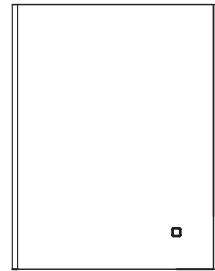
LED MIRRORS



3001-L-50
(Power Rating:15W)



3100-L-6060
(Power Rating:11W)
3100-L-8060
(Power Rating:16W)



3162-L-3950
(Power Rating:11W)
3162-L-5070
(Power Rating:16W)



3153-L-7050
(Power Rating:23W)
3153-L-8060
(Power Rating:27W)



3155-L-7050 (Power Rating:23W)
3155-L-6060 (Power Rating:23W)
3155-L-8060 (Power Rating:27W)
3155-L-10060 (Power Rating:32W)

Exclusively available @

VictoriaPlum.com

VictoriaPlum.com

BEFORE YOU START, HERE IS SOME IMPORTANT INFORMATION.

1) General Information

Please inspect this product upon delivery. Any missing parts or manufacturing defects must be reported immediately to the supplier. Damage or defects reported later will not be accepted. TAKE CARE WHEN HANDLING GLASS PARTS- AVOID HEAVY CONTACT BETWEEN THE GLASS EDGES AND ANY HARD SURFACE. Glass breakage claims will not be accepted after the product has been unpacked.

2) Additional Notes

Please read these instructions carefully before starting installation.

Special care should be taken when drilling walls to avoid hidden pipes or electrical cables.

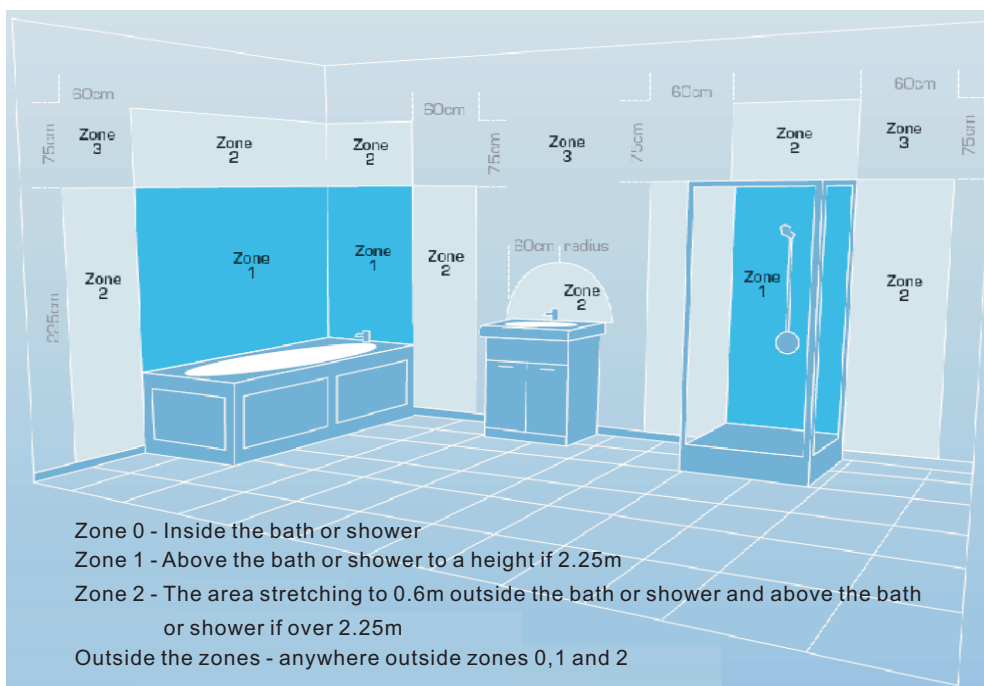
Note: This product may require two people to install.




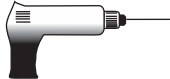


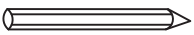

This product should ONLY be installed by a qualified electrician.

WHERE TO INSTALL THIS MIRROR

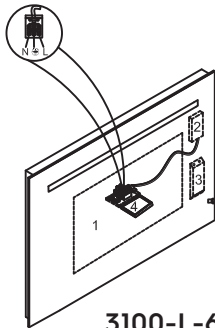
This mirror is IP44 rated and is suitable for installation in Zones 2 or beyond.



TOOLS REQUIRED

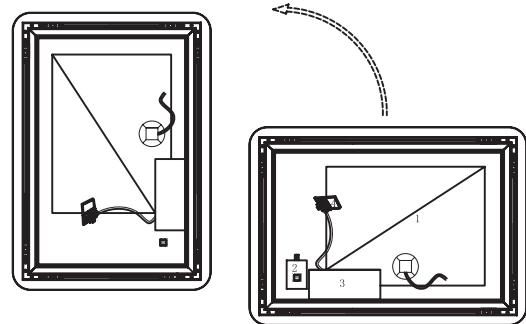
Description	Parts Image	Description	Parts Image
Tape Measure		Drill	
Spirit Level		Cross Head Screwdriver	
Pencil		Ø8mm Drill Bit	

ASSEMBLY DRAWING



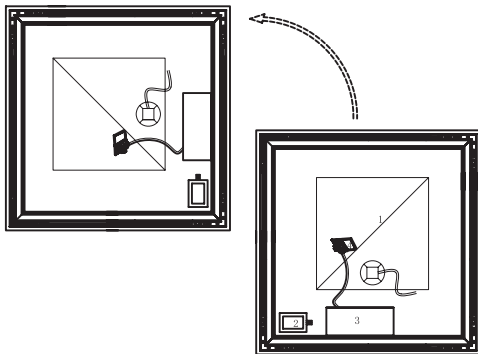
3100-L-6060 / 3100-L-8060

- 1 Demister pad
- 2 IR motion sensor
- 3 LED driver
- 4 IP44 terminal box



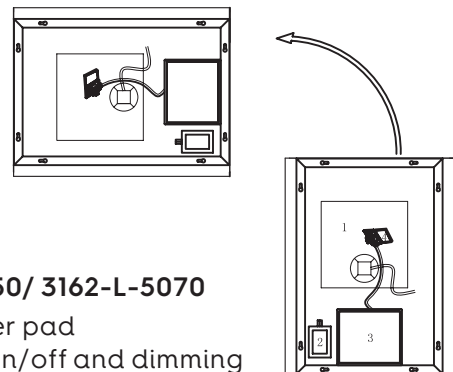
3153-L-7050 / 3153-L-8060

- 1 Demister pad
- 2 Touch on/off and dimming
- 3 LED driver
- 4 IP44 terminal box



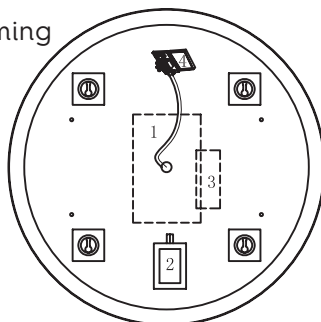
**3155-L-7050 / 3155-L-6060
/3155-L-8060/3155-L-10060**

- 1 Demister pad
- 2 Touch on/off and dimming
- 3 LED driver
- 4 IP44 terminal box



3162-L-3950 / 3162-L-5070

- 1 Demister pad
- 2 Touch on/off and dimming
- 3 LED driver
- 4 IP44 terminal box



3001-L-50

- 1 Demister pad
- 2 Touch on/off and dimming
- 3 LED driver
- 4 IP44 terminal box

INSTALLATION STEPS

STEP 1

ISOLATE THE MAINS POWER SUPPLY TO THE ELECTRICAL FEED THAT WILL POWER YOUR MIRROR.

STEP 2

Do not stand the mirror upright on hard surfaces whilst fitting, as this will damage the corners. Measure the distances of the four screw fixing slot centers at back of chassis.

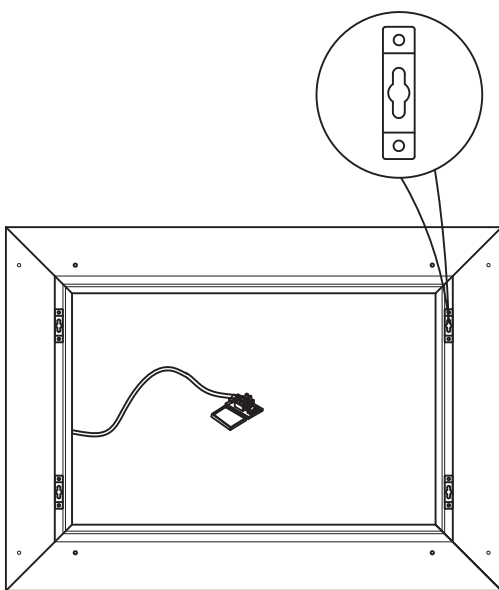
STEP 3

Decide on position on the wall and mark the four centers, ensuring your power supply cable will reach the connection block. Drill the four holes into the wall using a suitable drill bit.

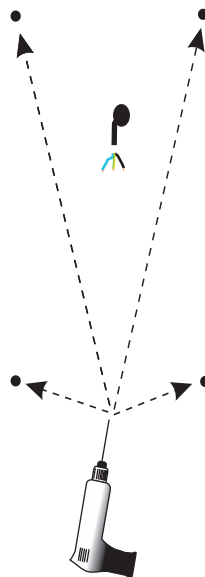
STEP 4

Insert the wall plugs and screws on the wall ensuring the screws head is 4-6mm outside.

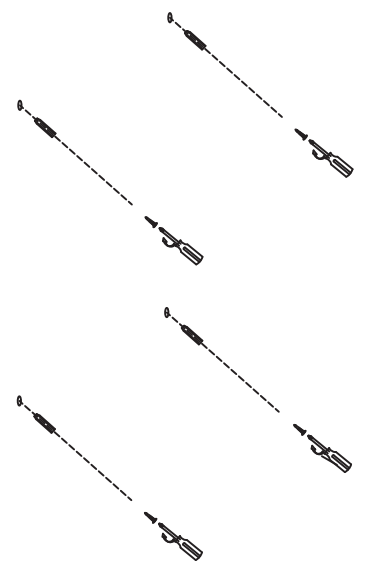
NOTE: As the mounting surfaces vary, please ensure adequate fixings are used. Fixings supplied are not suitable for all mounting surfaces, e.g. plaster board.



STEP 2



STEP 3



STEP 4

STEP 5

Wire the main power supply to the IP44 terminal block at back of mirror as belows.

RED OR BROWN --- TERMINAL MARKED L (LIVE)

BLACK OR BLUE --- TERMINAL MARKED N (NEUTRAL)

GREEN & YELLOW --- TERMINAL MARKED E OR ⊕

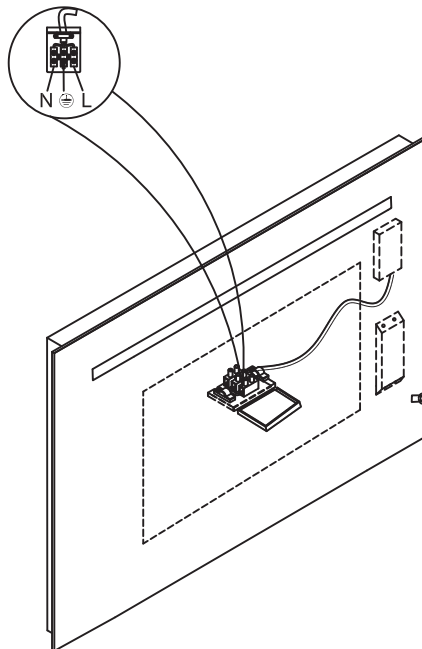
WARNING: This appliance must be earthed.

STEP 6

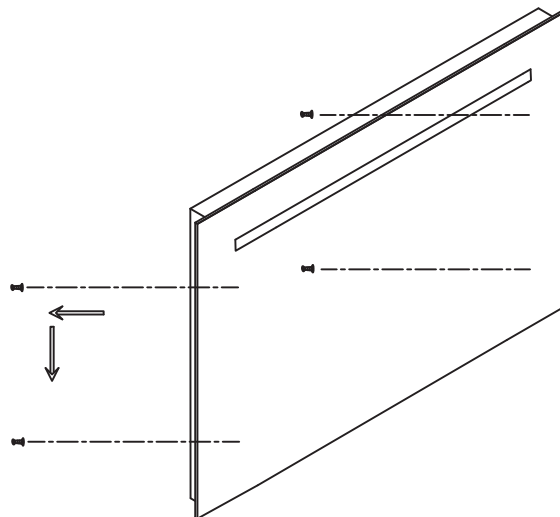
Slot the mirror onto the four wall screws through the keyholes. Ensure the mirror is clamped firmly by the screws on the wall.

STEP 7

Peel off the protective film from the mirror and clean with a soft cloth.



STEP 5



STEP 6

MANUAL TO LED MIRROR WITH TOUCH SWITCH ONLY

● FUNCTIONS: Dimming and CCT

The sequence of functions by touching the key are as below:

1. Light up by short-touching the key.
2. Adjusting color temperatures (CCT) between warm white and cool white by long-touching the key.
3. Adjusting the brightness (Dimming) by long-touching the key.
4. Repeat the Point 2 and 3 by long-touching the key again.
5. Light off by short-touching the key.

● For the mirror without Dimming and CCT functions, it can only be lighted up and off by short-touching the key.

CARE AND MAINTENANCE

1) AFTER CARE INSTRUCTIONS

It is recommended that mirrors are cleaned with a soft, dry, non-abrasive cloth. Do not use abrasive cleaning materials, or chemical cleaners as this will damage the mirror surface and edges.

2) MAINTENANCE

The supplier accepts no liability for any type of use of care other than those contained in this instruction. The supplier reserves the right to introduce technical changes without notice.

COMMITMENT TO QUALITY

It is our intention that the quality and functions of this product are of the highest standard. If you require help, we advise you firstly contact a qualified electrician. However we understand that this may not always be the case. So should you experience any problems, please contact our customer services quoting the following:

Product name: LED Mirrors

Product code: As shown on the first page

NOTE:

The packaging you have received with your product is 100% recyclable.

It must be disposed of in a safe and environmentally friendly way.

We suggest you take it to the local landfill site and discard it in the designated bins.