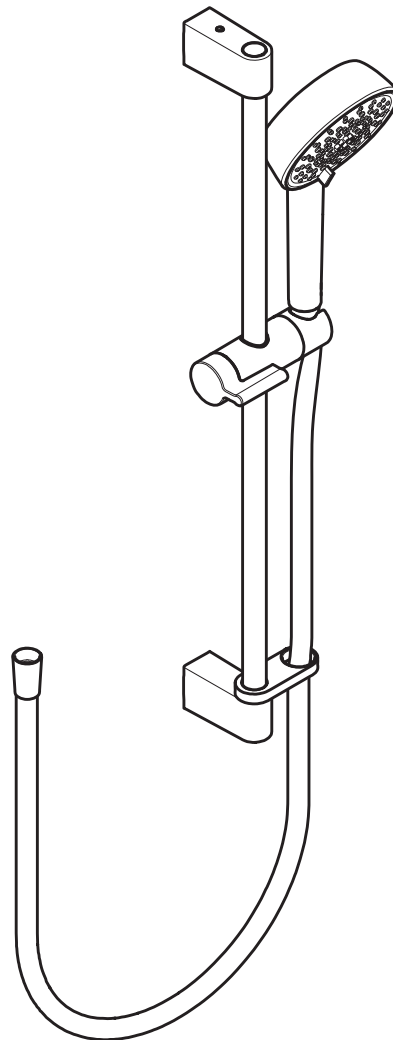


# Mira Sport Single Outlet Shower Fittings



For SPARES,  
ADVICE or REPAIRS  
please call us free  
on 0800 001 4040  
(UK only)

These instructions must be left with the user

Installation and User Guide

*Showering perfection*

***mira***  
SHOWERS

# Introduction

---

Thank you for choosing a Mira showers. To enjoy the full potential of your new shower fittings, please take time to read this guide thoroughly, and keep it handy for future reference.

## Guarantee

---

Mira Showers guarantee this product against any defect in materials or workmanship for a period of **one** year for the shower fittings, and **two** years for the diverter. This is effective from the date of purchase.

**Failure to follow the instructions provided with the shower fittings will invalidate the guarantee.**

For Terms and Conditions refer to the '**Customer Service**'.

## Recommended Usage

---

Domestic	✓
Light Commercial	x
Heavy Commercial	x
Healthcare	x

These fittings are designed for use with Mira showers only.

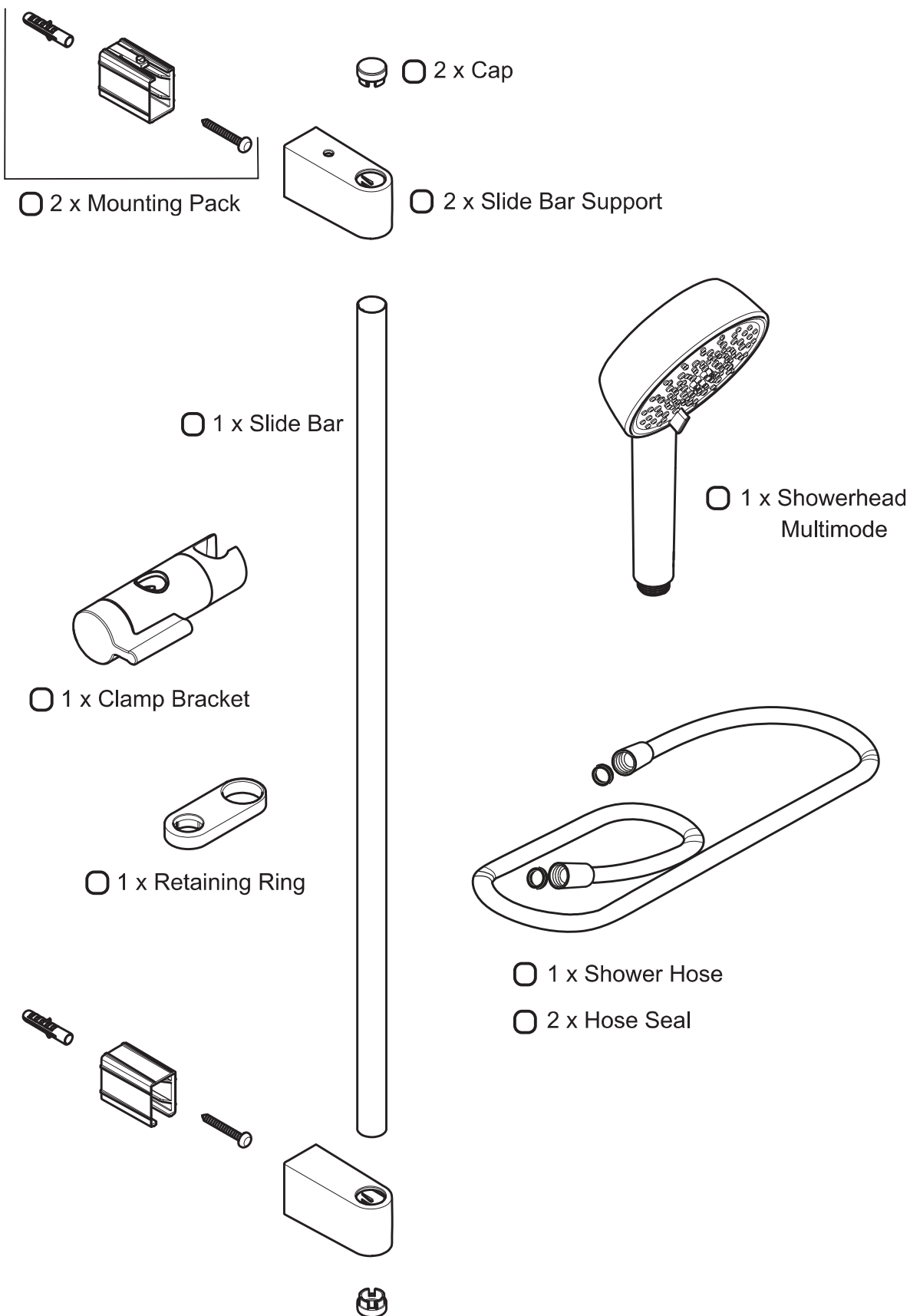
## Patents and Design Registration

---

Design Registration	6233204, 6233205, 6233206, 6233207, 6233208, 6233209, 6233210, 6233211
Patents	GB: 2 577 934
Patent Application	2213874.7

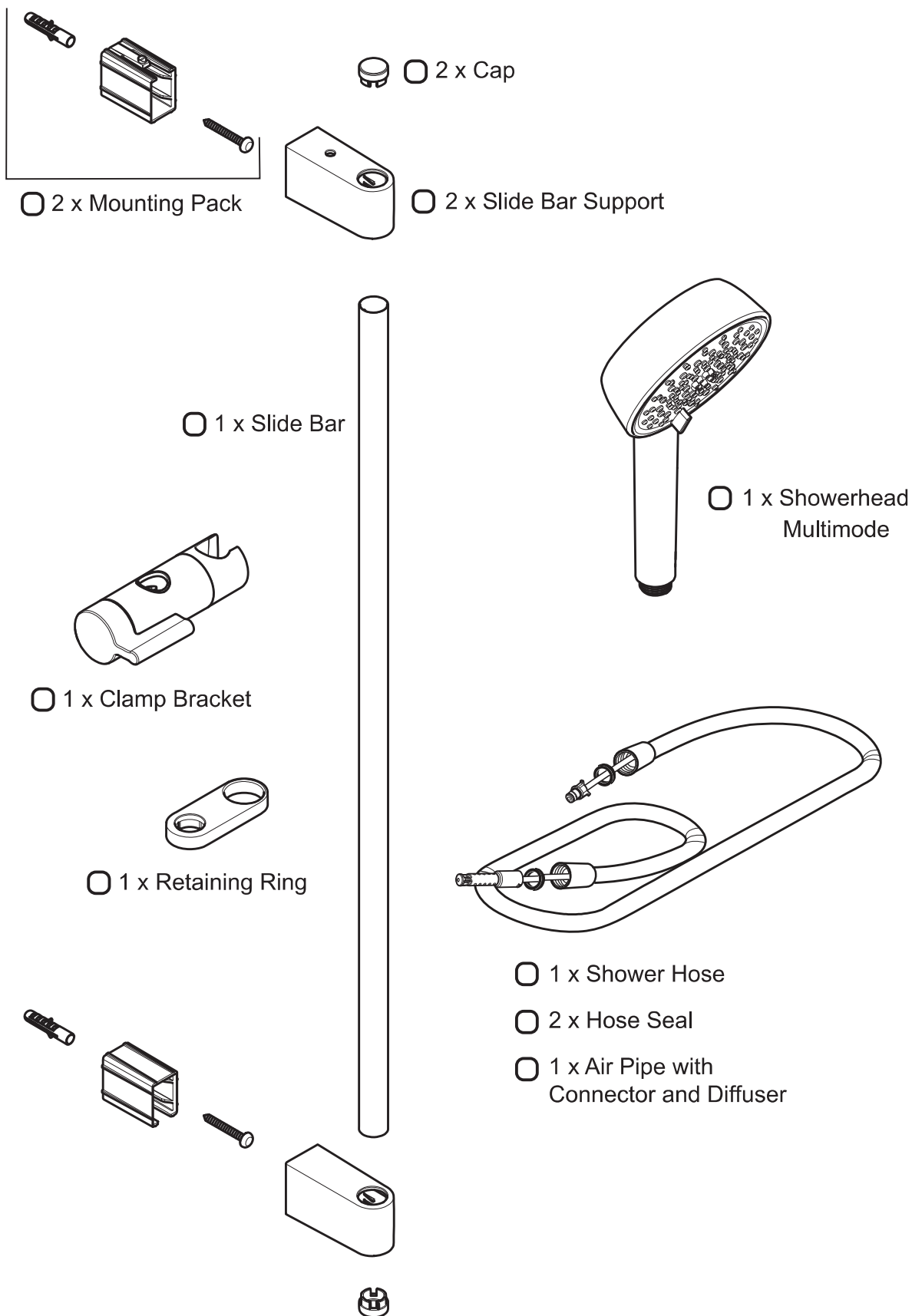
# Pack Contents

## Non-Airboost Versions



# Pack Contents

## Airboost Versions



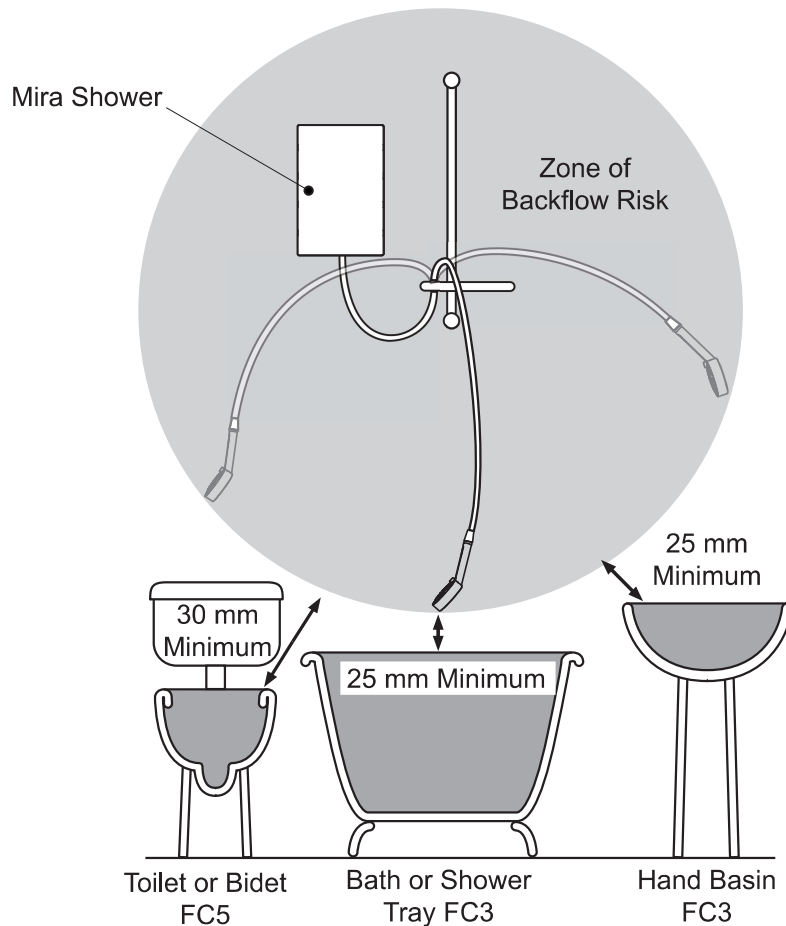
# General

---

Please read the important safety information and the operation section of this guide before using the shower fittings. Failure to follow the instructions provided with this shower fittings will invalidate the guarantee.

1. Installation of the shower fittings must be carried out in accordance with these instructions by qualified, competent personnel. Read all instructions for products being used in conjunction with these fittings.
2. The plumbing installation must comply with all national or local water regulations and all relevant building regulations, or any particular regulation or practice specified by the local water supply company.
3. A water treatment device should be installed where the water hardness may exceed 200 ppm. Malfunctions caused by excessive limescale formation are not covered by this shower's guarantee (see back page for details).
4. The showerhead should be positioned so that it discharges down the centre line of the bath or across the opening of a shower cubicle. The finished position of the overhead shower should also be considered to prevent water spraying directly on to the shower unit. The showerhead must be directed away from the shower unit, during normal use the showerhead must not spray directly on to the shower unit.
5. **DO NOT** fit any form of flow control in the outlet pipe work if the shower fittings are installed in conjunction with a product that requires the fittings to act as a vent (e.g. an electric shower).
6. **DO NOT** use excessive force when making connections.
7. Avoid layouts where the shower hose will be sharply kinked. This may reduce the life of the hose.
8. Special consideration should be given to the fixing arrangements when installing onto a dry lined, stud partition, shower cubicle or laminated panel wall structures. Installers may wish to obtain alternative proprietary cavity fixings, or choose other options, however, these methods of fixing are beyond the scope of this guide.

9. **DO NOT** install the shower or fittings where they may be exposed to freezing conditions.
10. The position of the shower fittings must provide a minimum air gap of 25 mm between the showerhead and the spill over level of any bath, shower tray or basin. There must be a minimum distance of 30 mm between the showerhead and the spill over level of any toilet, bidet or other appliance with a Fluid Category 5 backflow risk.



**Hose retaining ring fitted and shower fittings fixed at a suitable height preventing dirty water backflow**

**Note:** There will be occasions when the hose retaining ring will not provide a suitable solution for Fluid Category 3 installations, in these instances an outlet double check valve must be fitted, this will increase the required supply pressure typically by 10kPa (0.1 bar). Double check valves fitted in the inlet supply to the appliance cause a pressure build up, which affect the maximum static inlet pressure for the appliance and must not be fitted. For Fluid category 5 double check valves are not suitable.

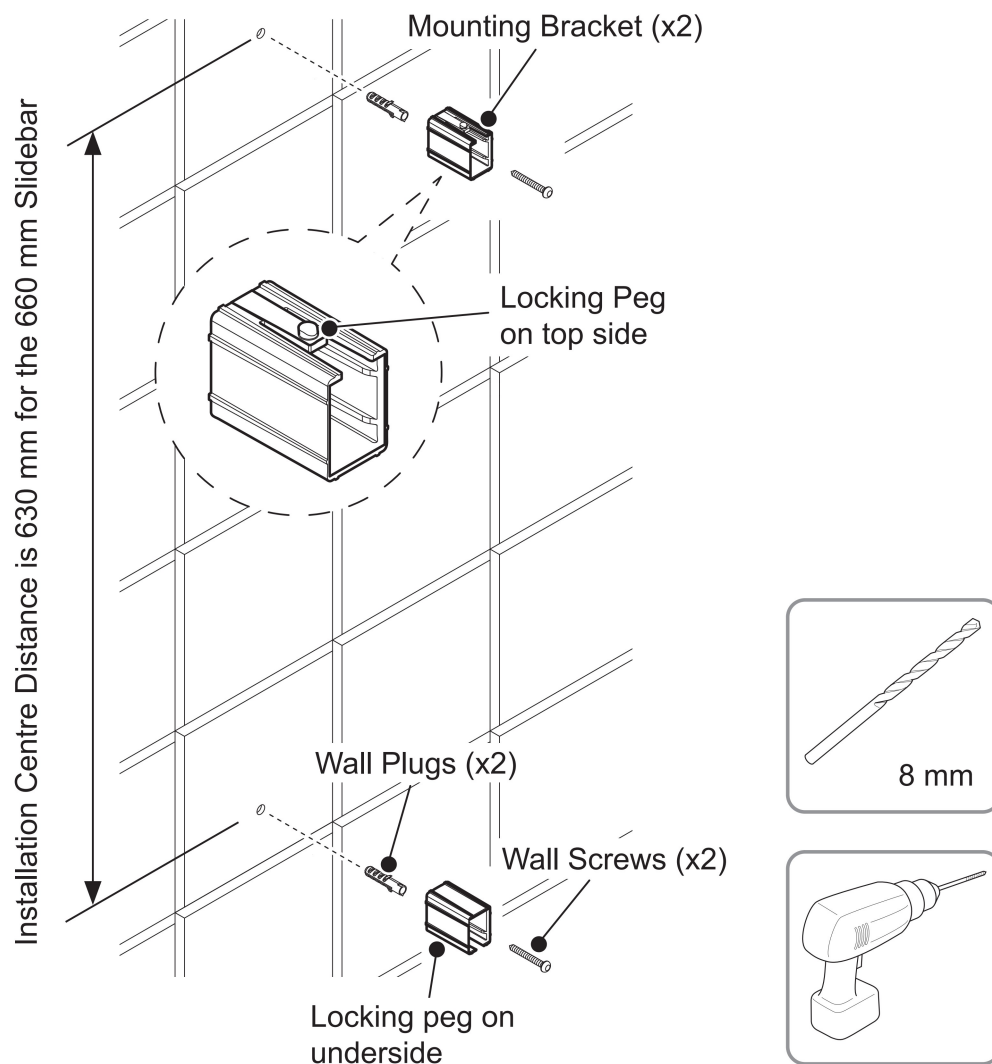
# Important Safety Information

---

1. These fittings can be used by all children and persons with reduced physical, sensory, or mental capabilities or lack of experience and knowledge if they have been given supervision or instruction concerning use of them in a safe way and understand the hazards involved.
2. Children shall not be allowed to play with the shower.
3. Cleaning and user maintenance shall not be made by children without supervision.
4. The showerheads must be descaled regularly. Any blockage of the showerheads or hose can cause damage to the shower.
5. **DO NOT** change the handset model. Fit only shower heads recommended by Mira and do not fit any additional device to restrict the water outlet flow.
6. **Caution!** Always check the water temperature is safe before entering the shower.
7. Ensure all instructions on correct hose and their connections are followed.
8. **DO NOT** hang anything on the hoses as this can cause premature failure due to kinking.
9. **DO NOT** connect the outlet of the shower to any tap, control valve, trigger operated handset or showerhead other than those specified for use with this shower as the outlet acts as a vent for the tank body. Only Kohler Mira recommended accessories should be used.
10. When adjusting the handset mode, point the handset away from body and make sure that the water temperature has stabilised before continuing to shower.

# Install the Shower Fittings

1



Mark the wall fixing positions and drill two holes to suit the wall fixings.

**Caution! Do not drill into cables or pipes in the wall.**

**Note: Installation fixing centres are 630 mm for the 660 mm slidebar. 660 mm recommended for new installations.**

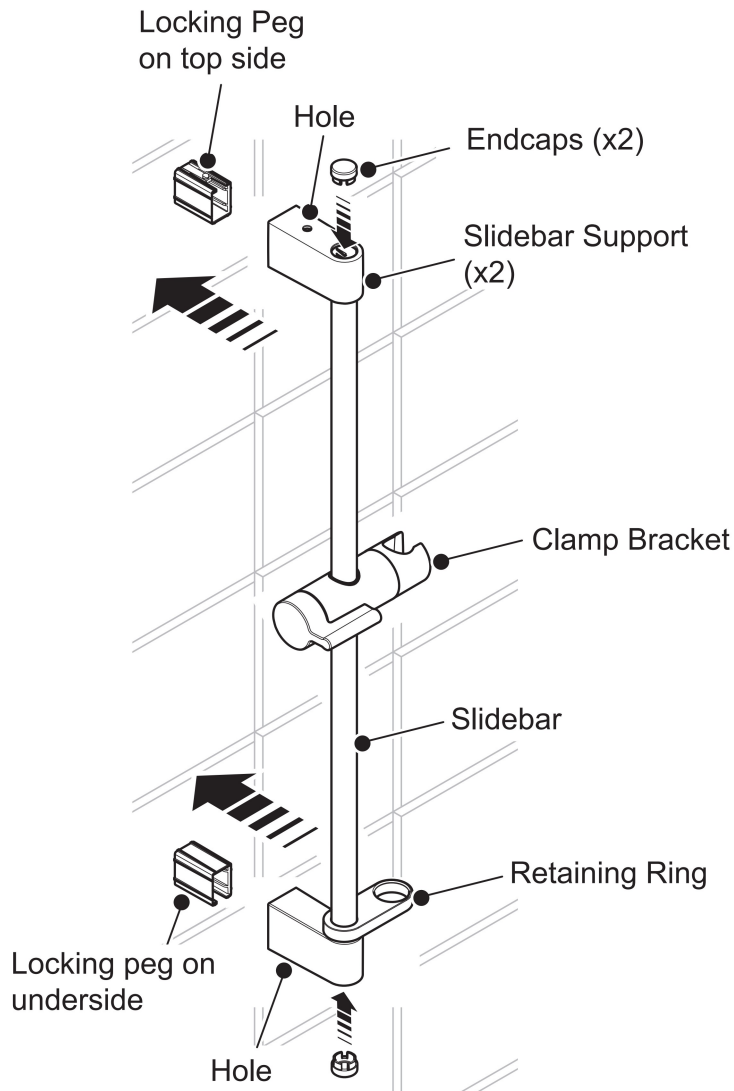
Install the wall plugs and the mounting brackets and secure with the wall screws.

**Note: Verify that the locking peg is orientated correctly.**

**Note: Check for vertical alignment before tightening. The mounting brackets are slotted to aid this alignment. Then fully tighten.**



2



Install the clamp bracket, the hose retaining ring (smallest hole) and the slidebar supports to the slidebar.

**Note: Orientate the hole on the slidebar supports in line with the locking peg on mounting bracket.**

Ensure an equal length of slidebar protrudes from the top and bottom slidebar support (or flush with the end of the slidebar for new installations) and push onto mounting brackets. Ensure it clicks into place.

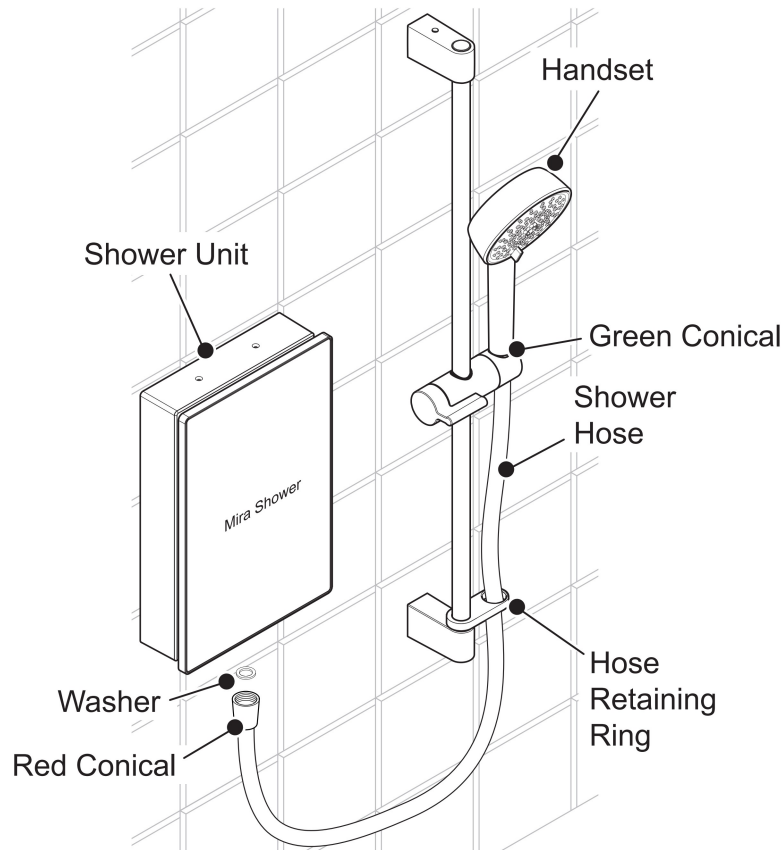
**Caution! DO NOT force assembly onto the mounting brackets. Re-align slidebar support if required.**

**Important! Ensure that the locking peg clicks in and is fully engaged in the hole in the slidebar support.**

Install the endcaps, push fit into both ends of the slidebar.

**Note: Slidebar support removal. Using a suitable tool, push and hold down the locking peg through the hole in the slidebar support and pull off.**

3



### Hose and Handshower Installation (Non-Airboost Version)

Screw the red conical onto the outlet of the shower.

**Caution! DO NOT over tighten.**

Feed the hose through the hose retaining ring.

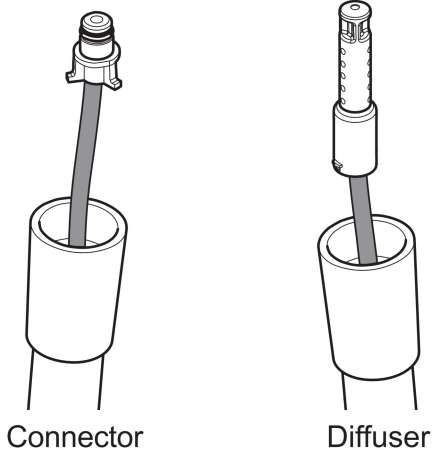
Screw the green conical onto the handshower.

**Caution! DO NOT over tighten.**

Place the handshower into the clamp bracket assembly.

Only use the supplied handset with this product.

### Hose and Handshower Installation (Airboost Version)

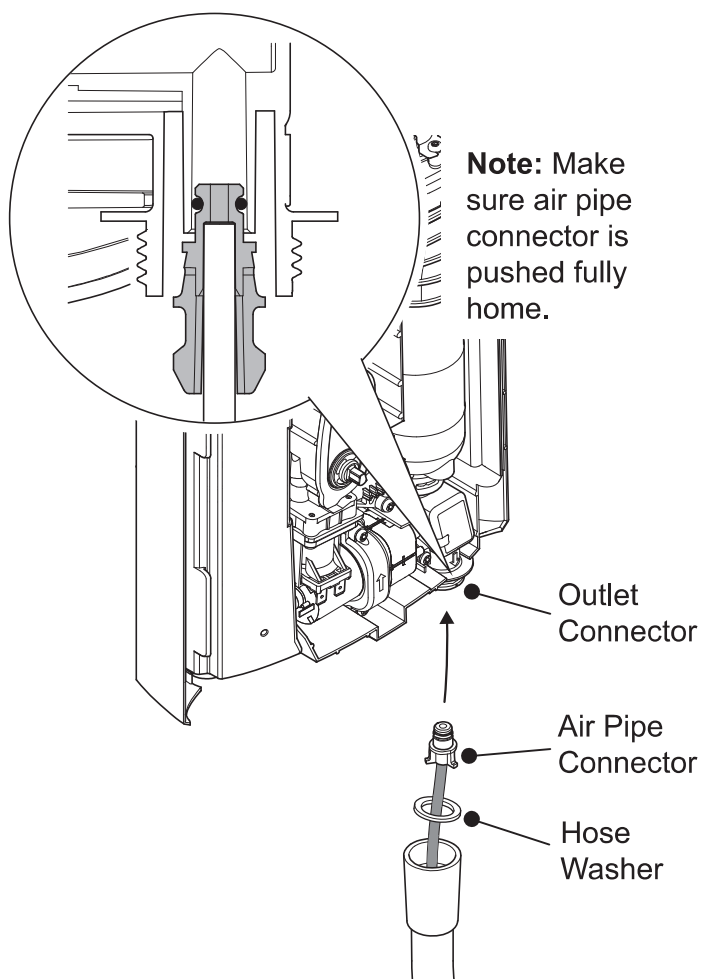


**Note: The red conical end with air pipe connector connects to the shower outlet and the green conical end (or with white label) with air pipe diffuser connects to the showerhead.**

To enable airboost function, the shower hose must be fitted correctly.

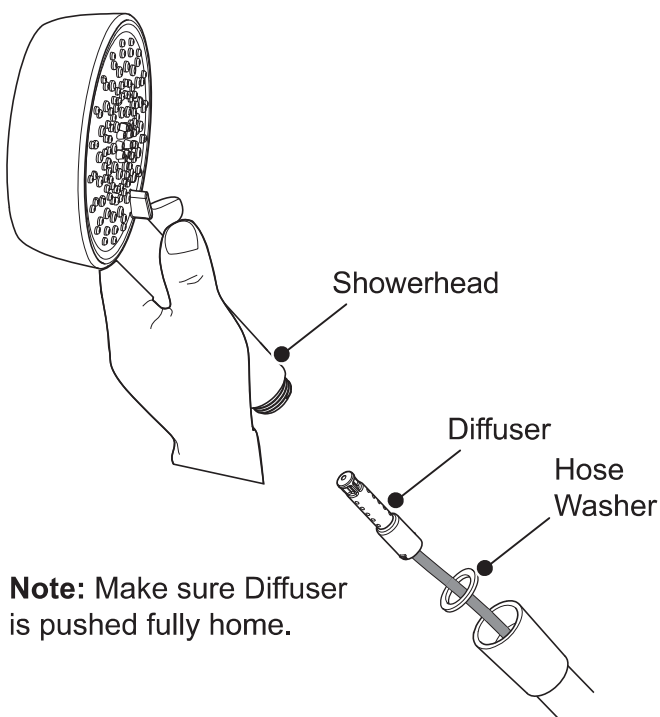
Identify the different ends of the air pipe tube:

- Air pipe connector is inserted into the shower outlet.
- Diffuser is inserted into the showerhead.



Push fit the air pipe connector into the outlet connector, then carefully tighten the shower hose onto the outlet connector.

**Note: Make sure the hose washer is fitted and that the air pipe connector is pushed fully home into the outlet connector.**



Fit the diffuser into the showerhead, then carefully tighten the shower hose onto the showerhead.

**Note: Make sure the hose washer is fitted and that the diffuser is pushed fully home into the showerhead.**

Place the handshower into the clamp bracket assembly.

Only use the supplied handset with this product.

**Important! Before using your new fittings please make sure to commission the shower following the manufacturers instructions.**

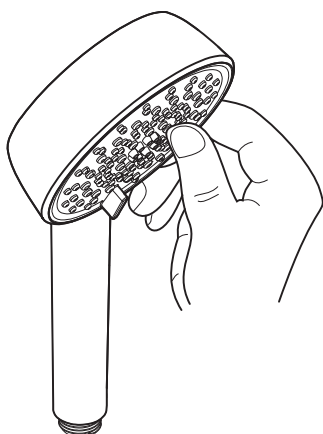
# Cleaning

Always read the **IMPORTANT SAFETY INFORMATION** for your shower.

Many household and commercial cleaners, including hand and surface cleaning wipes contain abrasives and chemical substances that can damage plastics, plating and printing and should not be used. These finishes should be cleaned with a mild washing up detergent or soap solution, and then wiped dry using a soft cloth.

## De-scaling the Showerhead

It is **IMPORTANT** to keep the showerhead and hose clean and free from blockage to make sure your shower performs to its optimum. The showerhead **MUST** be regularly cleaned and the hose **MUST** be regularly inspected to ensure there is no internal collapse or blockage that could reduce the flow.



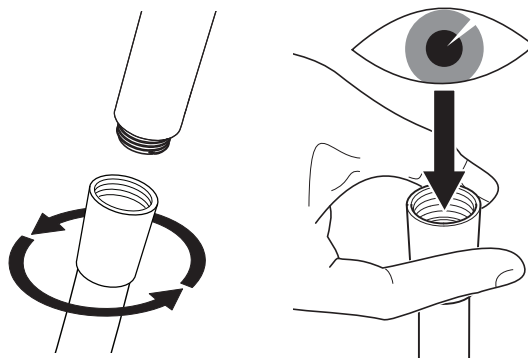
Use your thumb or a soft cloth to wipe any limescale from the soft nozzles

## Inspecting the Hose

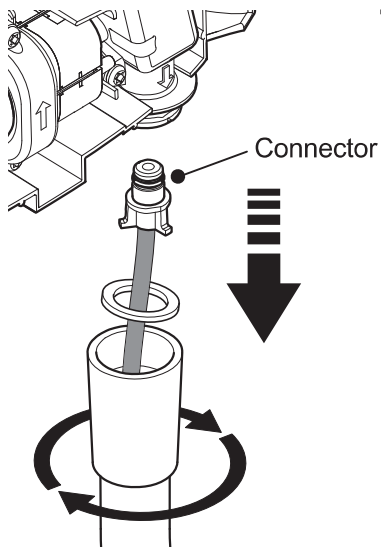
**Warning!** Failure to keep the showerhead nozzles clear or inspect the hose for blockage or internal/external collapse can restrict the flow rate from the shower. This may cause damage to the shower or result in the temperature delivered to the user rising to unsafe levels with a risk of scalding. You **MUST ALWAYS** check the temperature before using the shower.

### Non-Airboost Version

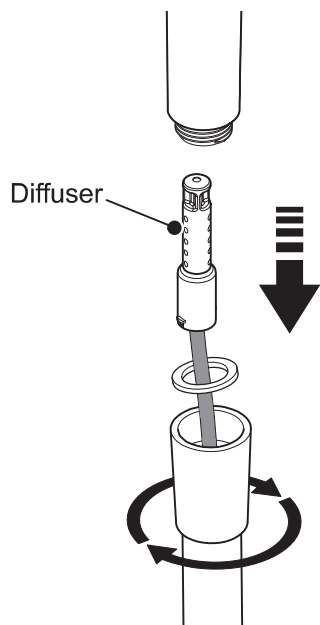
1. Unscrew the hose from the showerhead and the shower outlet.
2. Inspect the hose.
3. Replace if necessary.



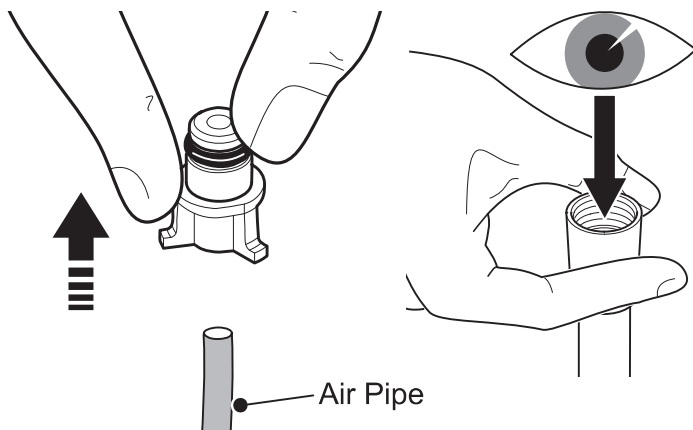
## Airboost Version



1. Unscrew the shower hose from the shower then pull the air pipe connector from the shower outlet.



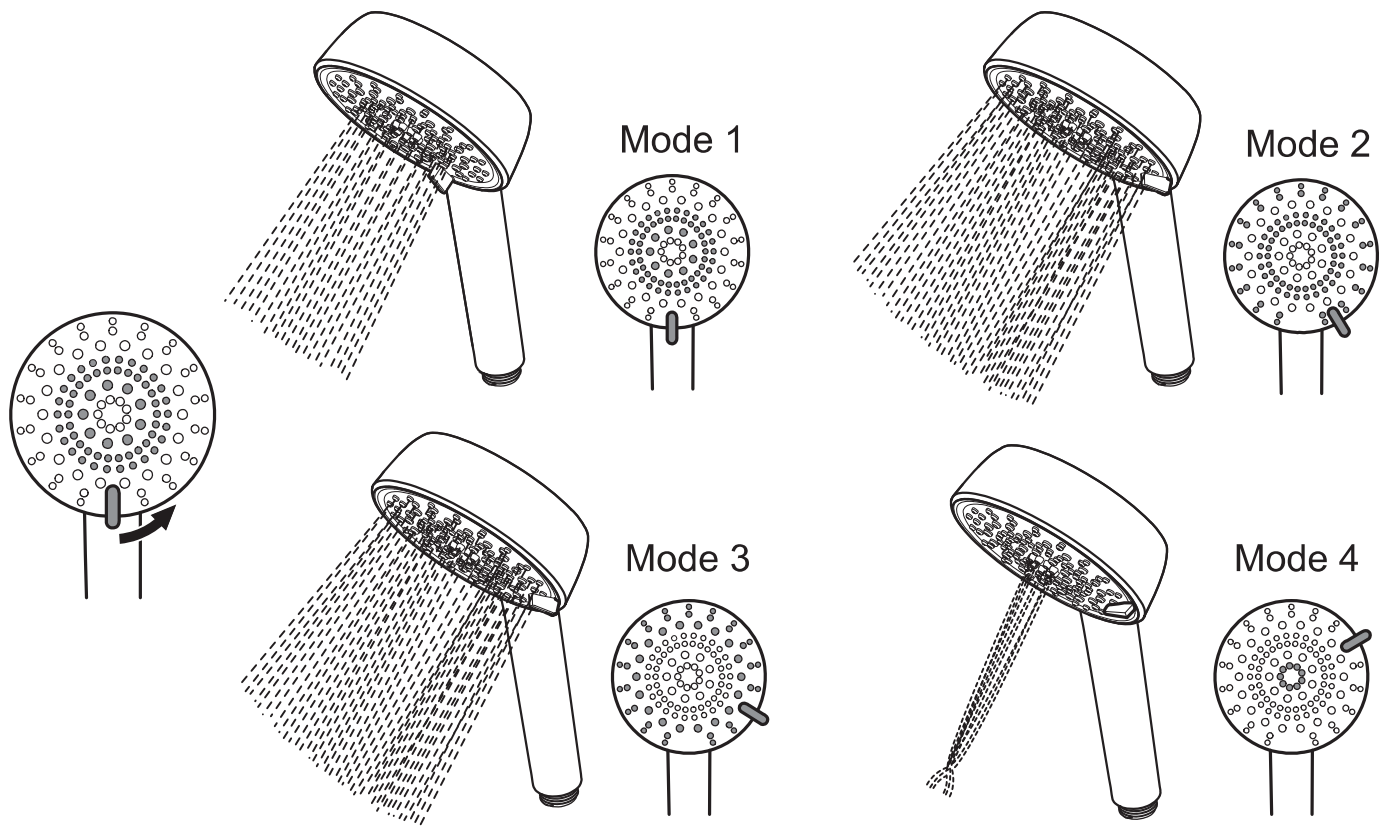
2. Unscrew the shower hose from the showerhead, pull out the diffuser.
3. Ensure the diffuser holes are free from scale, clean if necessary.



4. Pull the air pipe connector from the air pipe then withdraw the air pipe from the hose.
5. Inspect the hose. Replace if necessary.
6. Reassemble parts in reverse order.

# Spray Modes

---



When adjusting the shower spray mode, **DO NOT** force the lever as product damage will occur.

# Notes

---

# Customer Support

## Guarantee

Your product has the benefit of our manufacturer's guarantee which starts from the date of purchase. This guarantee only applies in the United Kingdom and Republic of Ireland.

### Activating Your Guarantee

Registering your guarantee is quick and simple. To ensure your product is covered, please register online.



Scan the QR code to activate your guarantee now or call 0800 5978551 within 30 days of purchase (UK only).

### What is Covered:

- The guarantee applies solely to the original installation under normal use.
- The product must be installed and maintained in accordance with the instructions given in this guide.
- Servicing must only be undertaken by us or our appointed representative.
- Repair under this guarantee does not extend the original expiry date. The guarantee on any replacement parts or product ends at the original expiry date.
- For shower fittings or consumable items we reserve the right to supply replacement parts only.

### The guarantee does not cover:

- Call out charges for non product faults (such as damage or performance issues arising from incorrect installation, improper use, inappropriate cleaning, lack of maintenance, build up of limescale, frost damage, chemical attack, corrosion, system debris or blocked filters) or where no fault has been found with the product.
- Water or electrical supply, waste and isolation issues.
- Routine maintenance or replacement parts to comply with the requirements of Building / Plumbing / Electrical Standards or Schemes.
- Compensation for loss of use of the product or consequential or indirect loss of any kind.
- Damage or defects caused if the product is repaired or modified by persons not authorised by us or our appointed representative.
- Accidental or wilful damage.
- Products purchased ex-showroom display.
- Disinfection or descaling to reduce bacterial growth or contamination.

## What to do if something goes wrong

If your product is not working correctly please refer to this manual for fault diagnosis and to check that it is installed and commissioned in accordance with our instructions. If this does not resolve the issue, our Customer Services team are here to help get you back up and running. To help us solve your problem quickly, please have your product name, power rating (if applicable) and date of purchase to hand.

### Visit [www.mirashowers.co.uk](http://www.mirashowers.co.uk)

Visit our website to register your guarantee, book a service visit, diagnose faults and purchase products.

### Spares and Accessories

We stock a full range of spare parts and fittings and are all available to purchase either online or over the phone. Our online spare parts selector tool will help you quickly and easily identify the spare part for your product.

### Visit [www.mirashowers.co.uk/parts-accessories](http://www.mirashowers.co.uk/parts-accessories)

### Replacements and Repairs

In the unlikely event that your product needs a repair, our nationwide repairs and installation team are here to help. You can book a convenient date and time online.



Scan the QR code to book a service visit now or visit [www.mirashowers.co.uk/support/repair-services/repair-service](http://www.mirashowers.co.uk/support/repair-services/repair-service)

We also offer a comprehensive replacement service for when your product needs a little refresh, visit our website or contact our team for more information on our replacement services.

### Help us improve

Your experience is important to us and your review (whether good, bad or otherwise) will be posted on Trustpilot.com immediately to help other people make more informed decisions.

Visit [uk.trustpilot.com/review/www.mirashowers.co.uk](http://uk.trustpilot.com/review/www.mirashowers.co.uk)

### Need to get in touch?

#### UK

T: 0800 001 4040  
E: [askus@mirashowers.com](mailto:askus@mirashowers.com)  
[www.mirashowers.co.uk](http://www.mirashowers.co.uk)

#### Eire

T: 01 531 9337  
E: [customerserviceeire@mirashowers.com](mailto:customerserviceeire@mirashowers.com)  
[www.mirashowers.ie](http://www.mirashowers.ie)

Mira is a registered trade mark of Kohler Mira Limited. The company reserves the right to alter product specifications without notice.

Registered Office:  
Cromwell Road,  
Cheltenham,  
Gloucestershire  
GL52 5EP

EU Importer address:  
Kohler France S.A.S.  
30 Boulevard de la Bastille,  
75012 Paris,  
France

