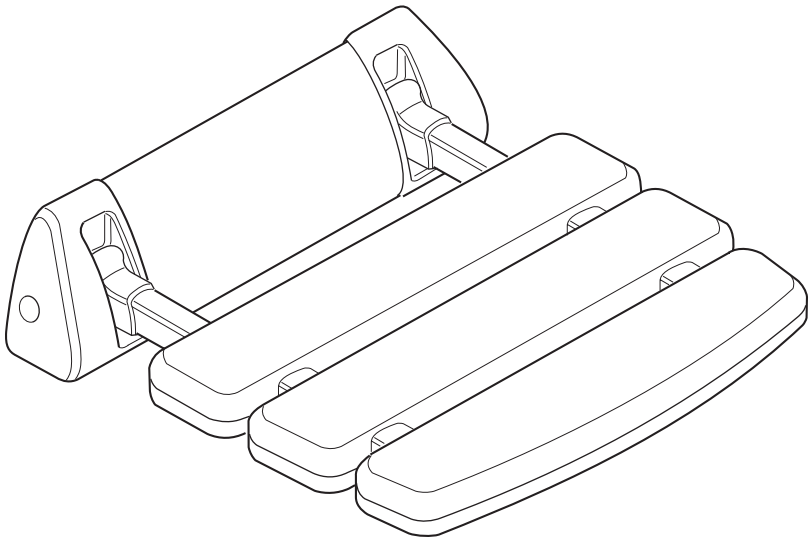


mira

SHOWERS



MIRA SHOWER SEAT

Installation & User Guide

These instructions must be left with the user

INTRODUCTION

Important Points

The Mira shower seat has been designed for installation inside a shower cubicle, over a bath or within the drying area.

The shower seat must be secured to a flat, sound and solid wall surface ('solid' means constructed of brick or high density concrete block).

Warning! All screws and wall plugs supplied **must** be securely fitted to the full depth.

Warning! This product has been designed as a seat only and should not be used for any other purposes.

Note! The shower seat may be fixed to other wall types, but advice **must** be sought from a competent builder regarding wall structure and fastening prior to fitting.

Cavities, voids, loose material, cables and pipes **must** be avoided when locating the fixing screws.

Maximum Weight - **95.5 kg (15 stone)** evenly distributed about the seat.

Cleaning and Maintenance

Many household cleaners contain abrasive and chemical substances, and should not be used for cleaning plated or plastic fittings. These finishes should be cleaned with a mild washing up detergent or soap solution, and then wiped dry using a soft cloth.

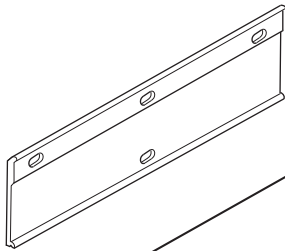
Fixing Height

The fixing height of the shower seat depends largely on the height of the user, it will usually be somewhere between 450-550 mm above the bottom of the shower tray, bath or floor.

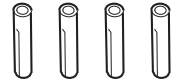
A simple method of determining the shower seat height would be to measure the seat height of the users favourite/most comfortable chair, and fix the shower seat at a similar height.

PACK CONTENTS

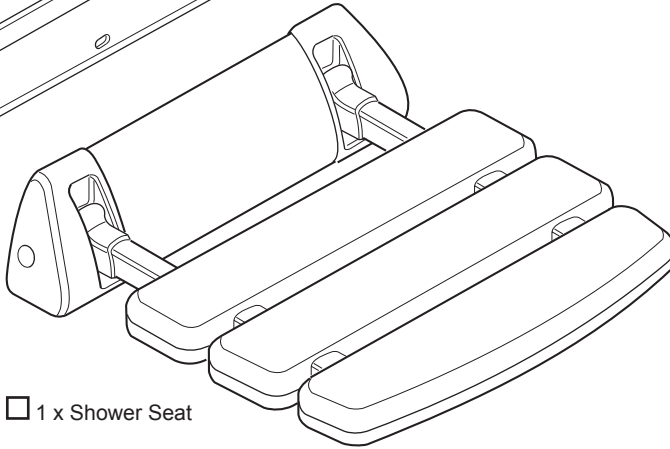
Tick the appropriate boxes to familiarise yourself with the part names and to confirm that all of the parts are included.



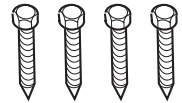
1 x Wallplate



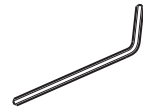
4 x Wall Plugs



1 x Shower Seat

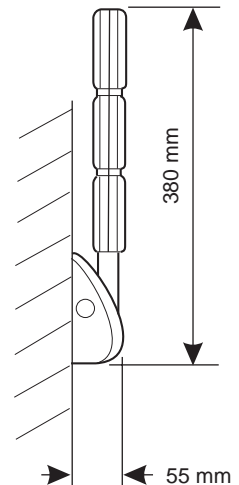
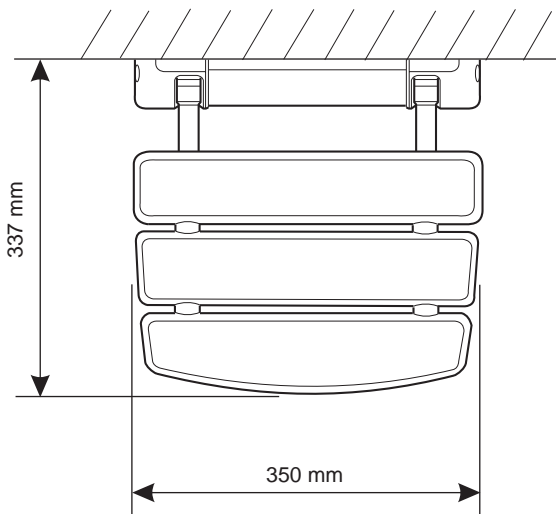


4 x Fixing Screws



1 x 2 mm
Hexagonal Key

DIMENSIONS



INSTALLATION

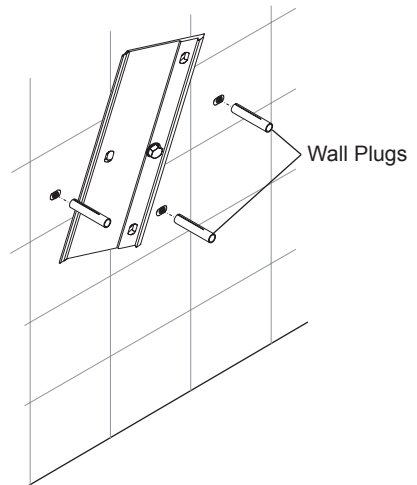
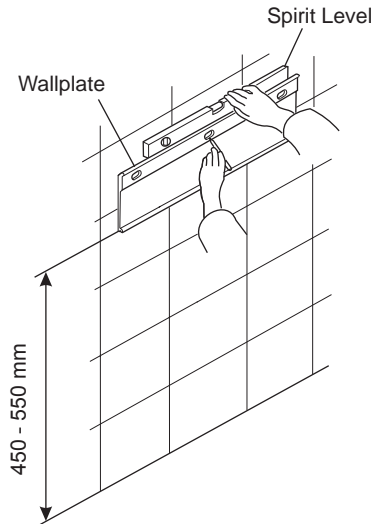
Warning! An incorrectly fitted shower seat may result in injury to the user.

1. Decide on a suitable position for the shower seat. The fixing height depends largely on the height of the user, it will usually be somewhere between 450 - 550 mm above the bottom of the shower tray, bath or floor.
2. Hold the wallplate with the flat edge against the wall and the 3 screw holes at the top. Use a spirit level to make sure that the wallplate is level and mark the position of the centre screw hole.
3. Drill a $\text{Ø}10$ mm hole and insert the wall plug. Secure the wallplate to the wall with the screw supplied.

Warning! Make sure there are no buried cables or pipes in the wall before drilling. The wall must be vertical and flat.

4. Use a spirit level to make sure that the wallplate is level and mark the positions of the 3 remaining holes.
5. Rotate the wallplate clear of the marked positions and drill and plug the holes.
6. Rotate the wallplate back into position and secure the wallplate to the wall.

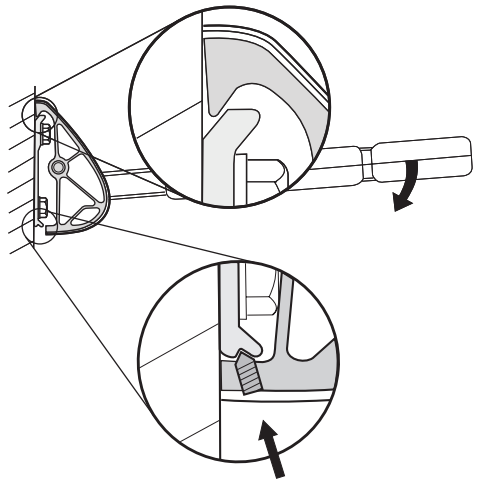
Important! Make sure that all 4 screws are fitted to their full depth.



7. Fit the shower seat over the wallplate, making sure that the top lip of the body sits on the top edge of the wallplate .

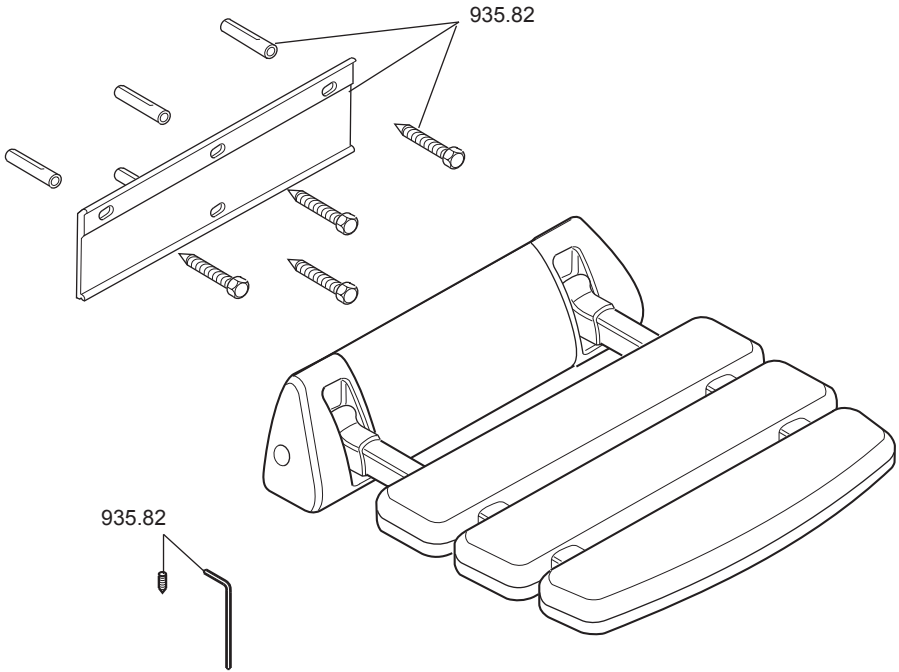
8. Secure the shower seat to the wallplate with the grub screw. Make sure that the seat pivots up and down freely.

Note! The grub screw on the bottom of the seat must be fixed at an angle of 20°.



SPARE PARTS

935.82 Wallplate and Fixing Screw Pack



NOTES

CUSTOMER SERVICE

Guarantee of Quality

Mira Showers guarantee your shower fittings against any defect in materials or workmanship for a period of one year from the date of purchase.

Alternatively, to confirm the applicable guarantee period please contact Customer Services.

To validate the guarantee, please return your completed registration card.

Within the guarantee period we will resolve defects, free of charge, by repairing or replacing parts or modules as we may choose.

To be free of charge, service work must only be undertaken by Mira Showers or our approved agents.

Service under this guarantee does not affect the expiry date.

The guarantee on any exchanged parts or product ends when the normal product guarantee period expires.

Not covered by this guarantee:

Damage or defects arising from incorrect installation, improper use or lack of maintenance, including build-up of limescale.

Damage or defects if the product is taken apart, repaired or modified by any persons not authorised by Mira Showers or our approved agents.

This guarantee is in addition to your statutory and other legal rights.

What to do if something goes wrong

If when you first use your shower, it doesn't function correctly, first contact your installer to check that installation and commissioning are satisfactory and in accordance with the instructions in this manual. We are on hand to offer you or your installer any advice you may need.

Should this not resolve the difficulty, simply contact our Customer Services Team who will give every assistance and, if necessary, arrange for our service engineer to visit. If the performance of your shower declines, consult this manual to see whether simple home maintenance is required. Please call our Customer Services Team to talk the difficulty through, request a service under guarantee if applicable, or take advantage of our comprehensive After-Sales service.

As part of our quality and training programme calls may be recorded or monitored.

Our Customer Services Team is comprehensively trained to provide every assistance you may need: help and advice, spare parts or a service visit.

Spare Parts

We maintain an extensive stock of spares and aim to provide support throughout the product's expected life.

Spares can be purchased from approved stockists or merchants (locations on request) or direct from Customer Services.

Spares direct will normally be despatched within two working days. Payment can be made by Visa or MasterCard at the time of ordering. Should payment by cheque be preferred, a pro-forma invoice will be sent.

All spares are guaranteed for 12 months from date of purchase. Spares that have been supplied directly from us can be returned within one month from date of purchase, providing that they are in good order and the packaging is unopened.

Note! Returned spares will be subject to a 15% restocking charge and authorisation must be obtained before return. Please contact our Customer Services Team.

Note! In the interests of safety, spares requiring exposure to mains voltages can only be sent to competent persons.

Service

Our Service Force is available to provide a quality service at a reasonable cost. You will have the assurance of a Mira trained engineer/agent, genuine Mira spare parts and a 12 month guarantee on the repair.

Payment should be made directly to the engineer/agent using Visa, MasterCard or a cheque supported by a banker's card.

To Contact Us

England, Scotland, Wales and Northern Ireland

Mira Showers Customer Services

Telephone: 0870 241 0888, Mon to Fri 8:00 am - 5:30 pm
Sat 8:30 am - 3:30 pm

E-mail: technical@mirashowers.com

Fax: 01242 282595

By Post: Cromwell Road, Cheltenham,
Gloucestershire, GL52 5EP

Eire

Modern Plant Ltd (Dublin)

Telephone: 01 459 1344, Mon to Fri 9:00 am - 5:00 pm

E-mail: sales@modernplant.ie

Fax: Dublin 01 459 2329

Post: Otter House, Naas Road,
Clondalkin, Dublin 22

Modern Plant (Cork)

Telephone: 021 496 8755, Mon to Fri 9:00 am - 5:00 pm

E-mail: cork@modernplant.ie

Fax: 021 496 8607

Post: Tramore Road, Cork



5 013181 039320 >

Mira is a registered trade mark of
Kohler Mira Limited.

The company reserves the right to alter
product specifications without notice.

www.mirashowers.com

mira
SHOWERS



FM 14648