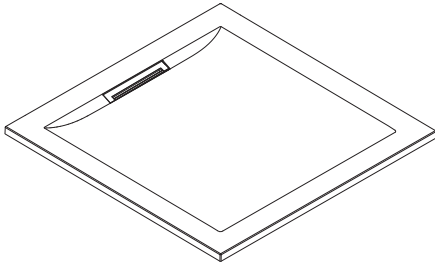
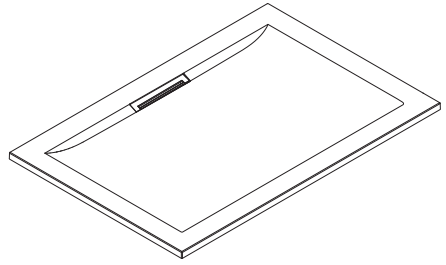


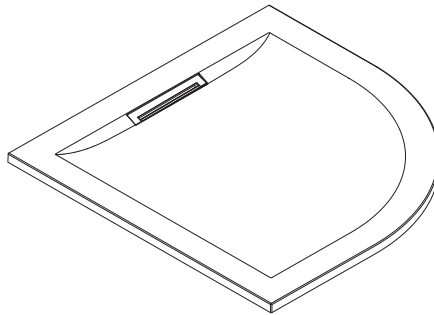
## Mira Flight Level Shower Tray



Square Tray



Rectangular Tray



Quadrant Tray

### Installation & User Guide

*These instructions must be left with the user*



# Table of Contents

# Page

Recommended Usage.....	3
General Information.....	3
Dimensions.....	5
Preparations .....	7
• Non-Upstand Trays.....	7
• Upstand Trays.....	8
Shower Tray Installation (Without Leg).....	9
Shower Tray Installation (With Leg).....	13
Sealing the Shower Tray .....	14
• Non-Upstand Trays.....	14
• Upstand Trays.....	14
• Shower Tray with Legs .....	15
Care and Maintenance .....	16
Spare Parts.....	17
Customer Support .....	20

## Recommended Usage

Domestic	✓	Light Commercial	✓
Heavy Commercial	✗	Healthcare	✓

### Notification to designers, installers and users:

The majority of all shower trays will show an increase in the potential for slipping, when the surface is wet. This is particularly the case when soap, shampoo, bath oil etc. are used. The Construction Products Directive (89/106/EEC).

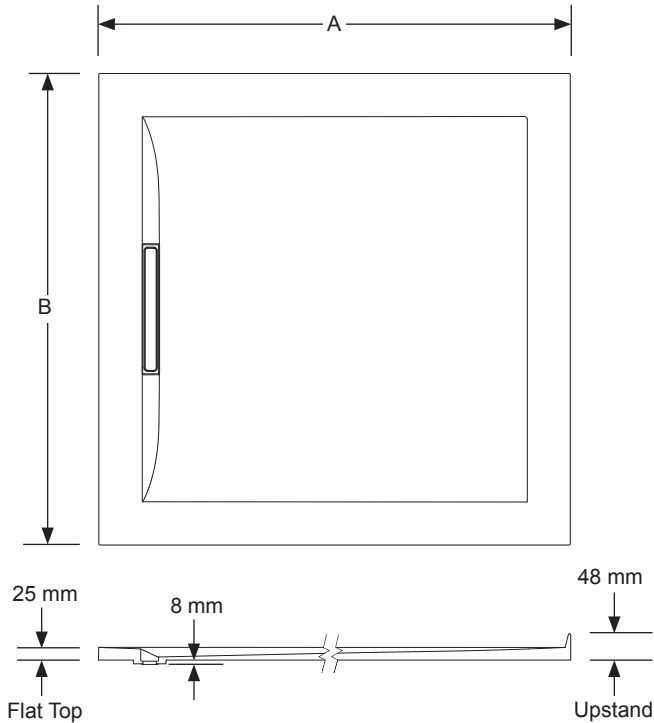
## General Information

1. Read all of these instructions and retain this guide for later use.
2. Pass on this guide in the event of change of ownership of the installation site.
3. Follow all warnings, cautions and instructions contained in this guide.
4. **Warning!** Two-person lift.
5. Check for transit damage.
6. Carefully unpack and check the tray for colour, size, flatness, general acceptability and compatibility with the shower enclosure and other bathroom furniture.
7. Before installation, carefully remove all of the protective film from the tray for inspection. The slate (grey) and anti-slip trays do not have a protective film.
8. Report any faults immediately to your supplier. No claims will be considered after installation.
9. Fitting this product is acceptance of quality.
10. **Caution!** Additional protective coverings such as a dust sheet should be used to protect the tray from damage from falling objects during installation.

11. We recommend this tray is fitted as part of a fully enclosed cubical. If this tray is fitted as a walk-in installation, it is expected that an amount of water will spill onto the open area of the floor. We would therefore advise fixing a threshold strip to minimize this.  
**Note:** Where the shower tray comes into contact with the wall or plaster board surface, apply a liberal amount of silicone sealant before installation. This will help secure the shower tray in position and reduce any rubbing of the surfaces.
12. Hand tighten the waste fixing screws to ensure a watertight seal. Excessive overtightening can lead to damage. **Caution! DO NOT** stand on waste cover as damage may occur.
13. Once the waste pipe has been connected pour water into the tray to check the tray and pipe connection for correct drainage prior to final fix and tiling.
14. Excessive flow rates may lead to overflowing and leaking. Flow rate into the tray must not exceed more than 25 litres per minute. We recommend a drainage test is carried out to ensure the waste pipework is adequate for the flow delivered.
15. The shower tray should be positioned so that the waste is easily accessible for maintenance.
16. The waste should be sited to allow good access to allow maintenance or replacement with minimum disruption. Kohler Mira will not be liable for any costs associated with access restrictions and subsequent works.

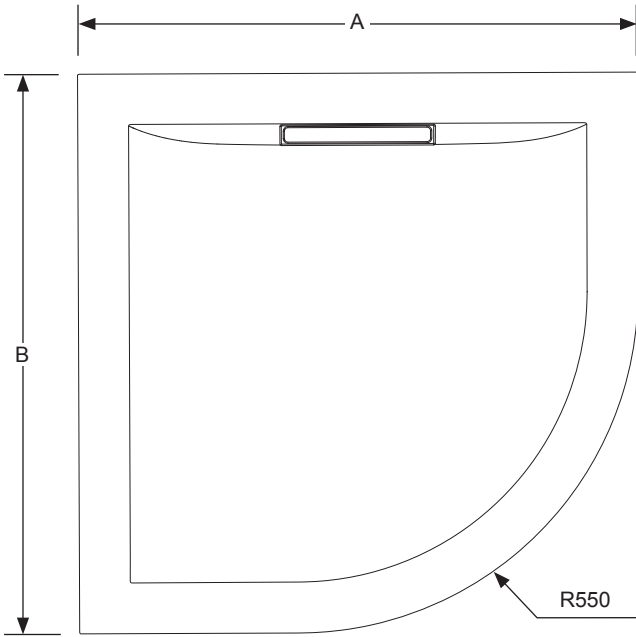
# Dimensions

## Square / Rectangular Shower Tray



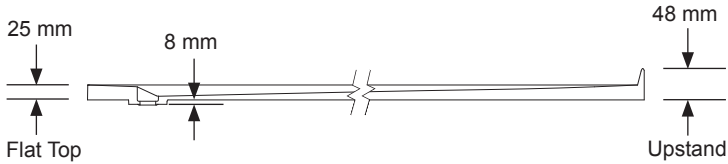
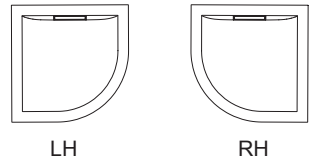
Size (mm)	A (mm)	B (mm)
800 x 800	805	805
900 x 900	905	905
1000 x 800	805	1005
1200 x 760	765	1205
1200 x 800	805	1205
1200 x 900	905	1205
1400 x 760	765	1405
1400 x 800	805	1405
1400 x 900	905	1405
1500 x 800	805	1505
1600 x 800	805	1605
1600 x 900	905	1605
1700 x 800	805	1705
1700 x 900	905	1705
1800 x 800	805	1805

# Quadrant Shower Tray



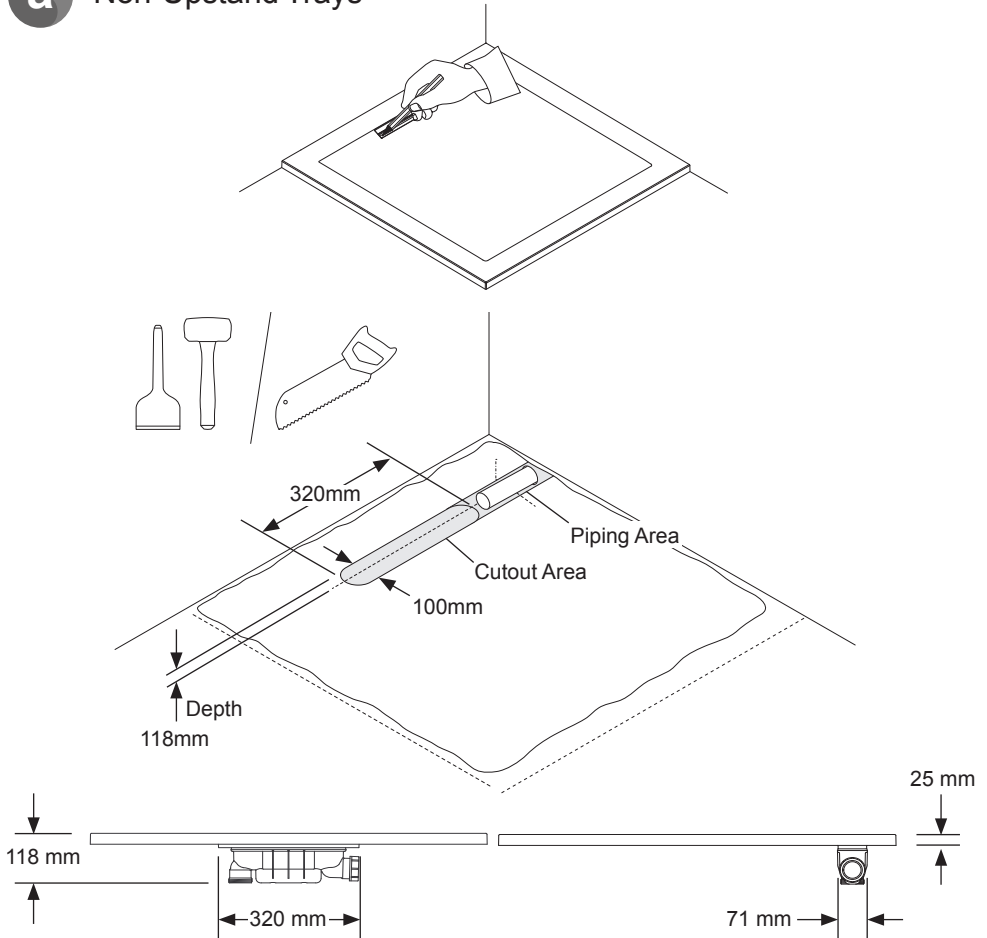
Size (mm)	A (mm)	B (mm)
900 x 900	905	905
1000 x 1000	1005	1005
1200 x 900 (LH)	1205	905
1200 x 900 (RH)	1205	905

## Offset Quadrant Handling Option



# Preparation

## a Non-Upstand Trays



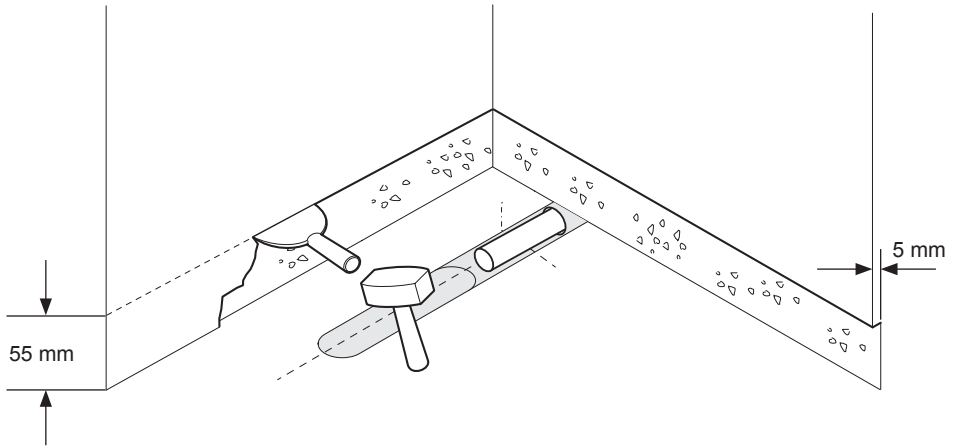
1. Place your shower tray down in the desired location (example illustrated).
2. Mark the waste location through the tray with a pencil in order to create a template on the floor.
3. Create an opening in the floor in order to accommodate the waste body and pipe.  
**Note:** Make the opening oversized in order to give you greater flexibility during fitting of the waste.

**Note:** Square tray shown. Installation of Rectangular and Quadrant is similar.

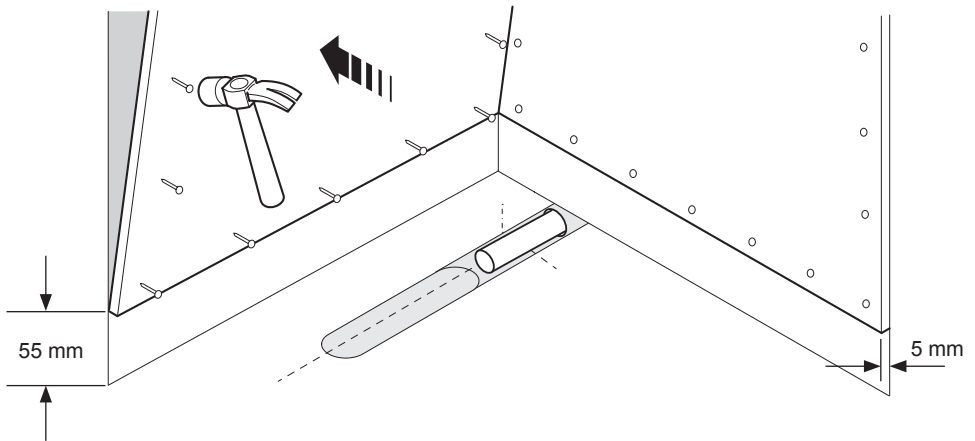
**Note:** Make sure that you have enough room within the floor recess to comfortably house the waste and fall of the waste pipe.

**b****Upstand Trays**

These additional steps are to be used when installing an Upstand Tray **ONLY**.



Solid Wall Preparation

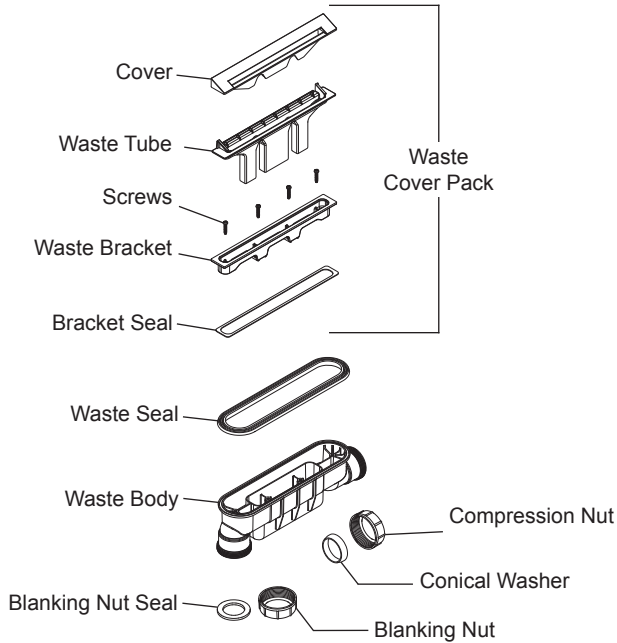


Stud Partition Wall Preparation

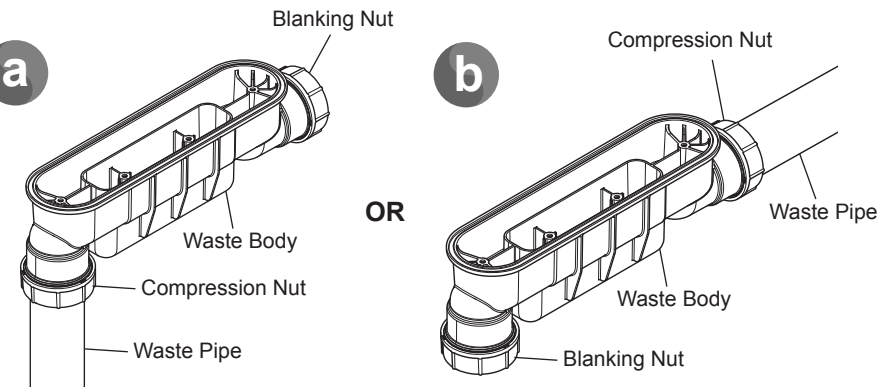


# Shower Tray Installation (Without Leg)

## 1 Waste Parts Breakdown



## 2

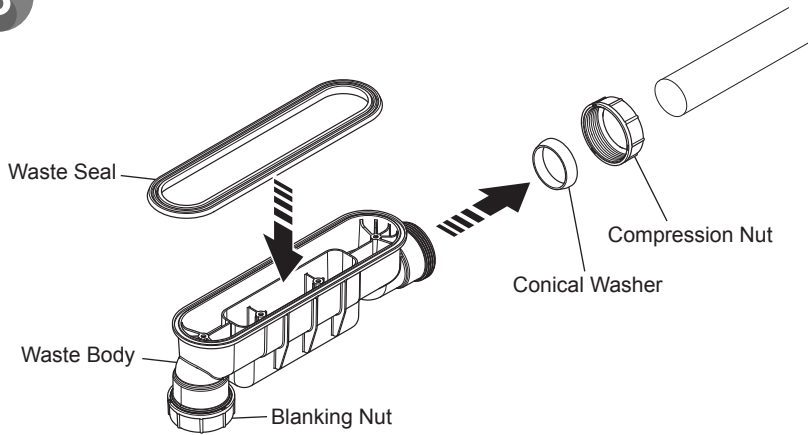


The waste has two drain outlet options. Utilise the outlet suitable for your waste pipe configuration.

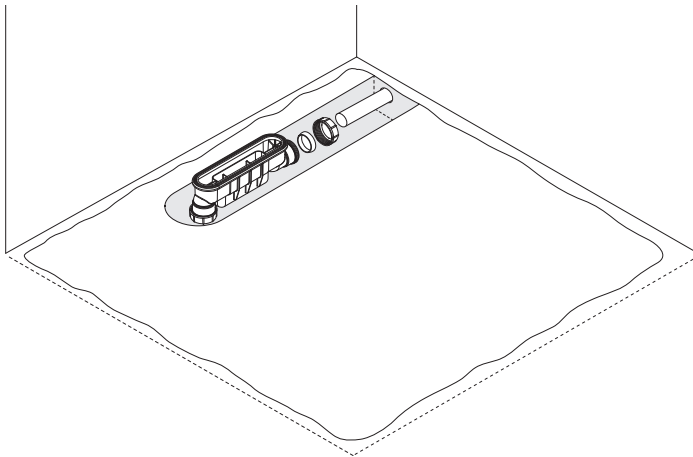
Shut-off the unused outlet using the blanking nut and washer.

**Note:** Ensure the blanking cover is fully tightened to avoid leaks.

3



4

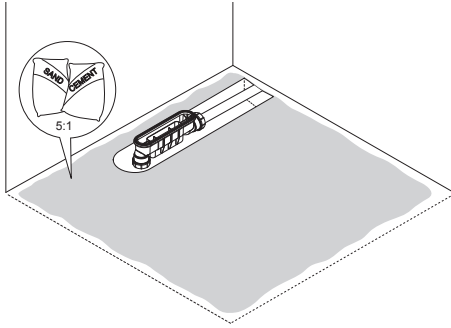


For water to drain away properly, the waste pipe must have a fall of at least 3cm per meter. The waste pipe must be properly supported to hold its own weight and that of the waste assembly.

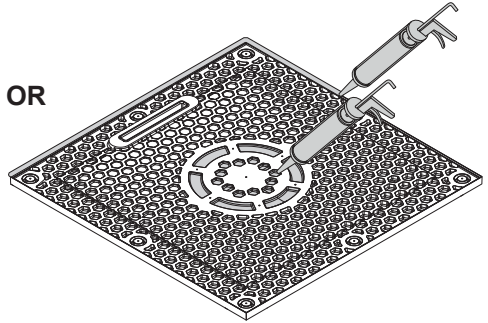
1. Connect the waste body to the waste pipe and tighten the compression nut.
2. Pour water down the drain to check that the waste is not blocked and there are no leaks.
3. Re-site the tray to ensure the waste hole alignment, adjust as necessary.

**Note:** Ensure the compression nut is fully tightened onto the pipe to avoid leaks.

5

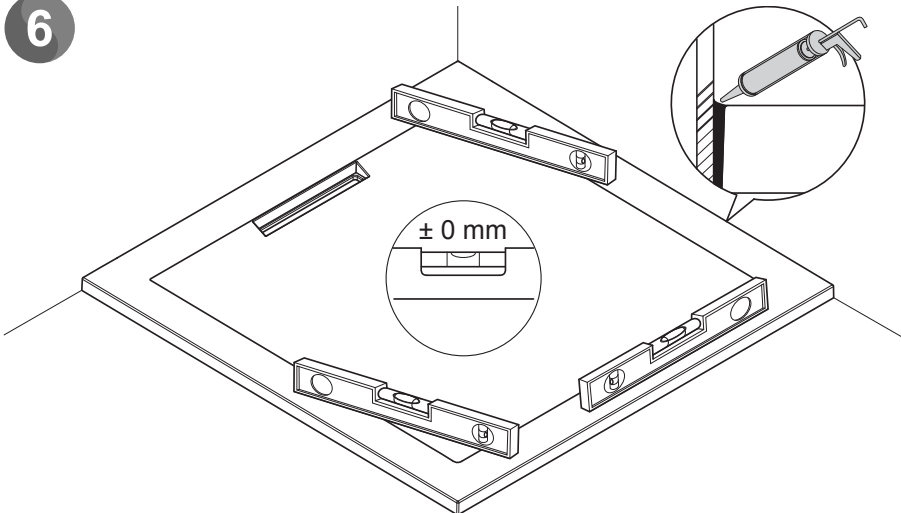


OR



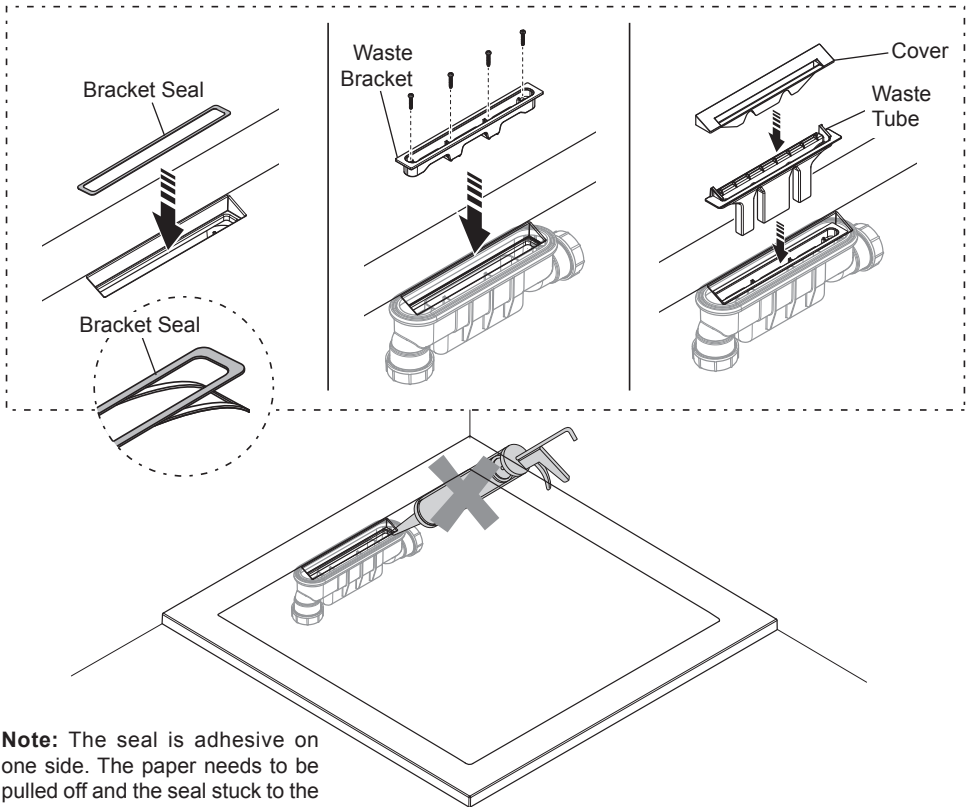
Carefully cover the waste to prevent any dirt and debris from entering while preparing a bed of sand and cement or silicon sealant for shower tray.

6



Place the shower tray on your base (sand/cement or silicon) and using a spirit level check that it is straight and level.

Prior to pushing the tray into place, apply a bead of silicone sealant around the upright edges of the tray where it will contact the wall.



**Note:** The seal is adhesive on one side. The paper needs to be pulled off and the seal stuck to the underside of the tray.

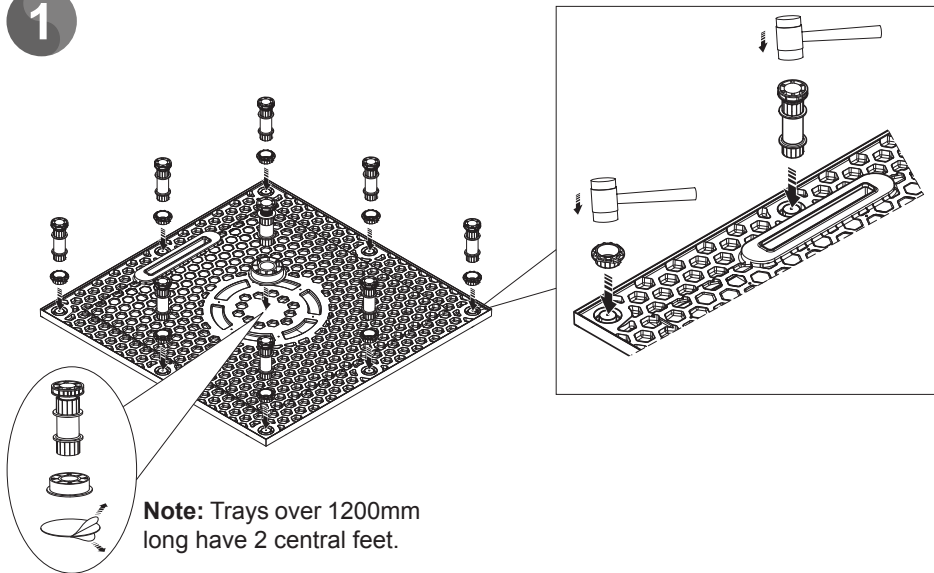
1. Place the bracket seal in the waste slot on tray.
2. Install the waste bracket and tighten using screws (supplied) to ensure a correct seal. **DO NOT** overtighten.

**Note:** Use hand screw driver only to avoid damage.

3. Press fit the waste tube and cover. **DO NOT** apply silicone sealant.

# Shower Tray Installation (With Leg)

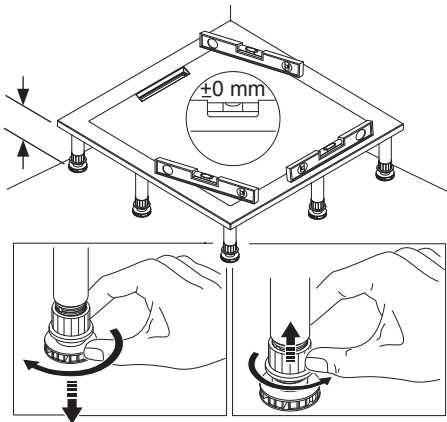
1



Square tray shown. Installation of the Rectangular and the Quadrant is similar.

2

**Note:** Set height of the tray to suit height of the panel.



Place the shower tray on a flat surface and using a spirit level check that it is straight and flat and that the shower cubicle will sit on its surface correctly when fitted. Make sure locking nuts are secure.

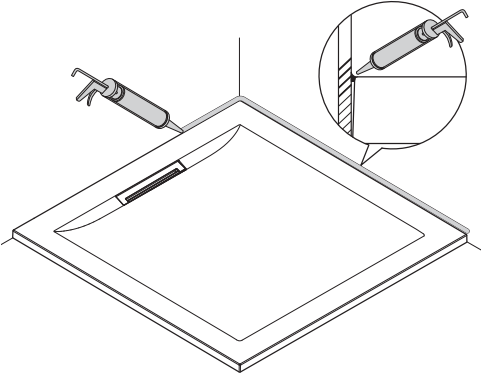
3

Install the bracket seal, the waste bracket, the waste tube and the cover as per earlier process.

# Sealing the Shower Tray

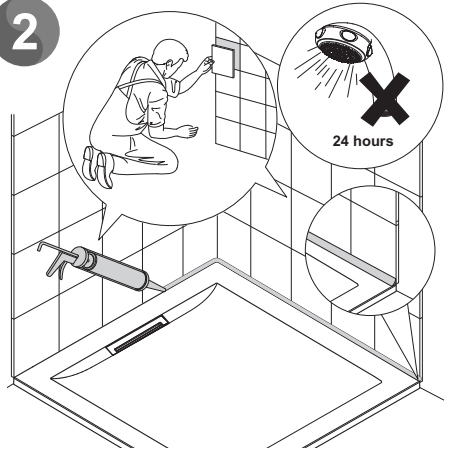
## a Non-Upstand Trays

1



Apply silicone sealant in accordance with the manufacturer's instructions to seal the shower tray to the wall.

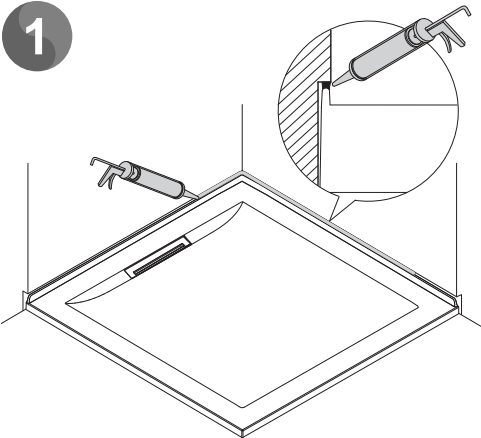
2



Tile the walls down on top of shower tray. Apply silicone sealant in accordance with the manufacturer's instructions to seal the shower tray to the tiled wall surface.

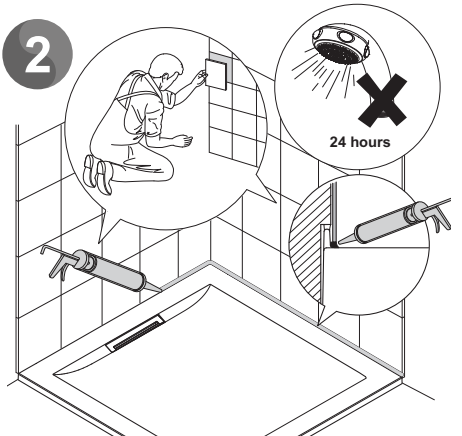
## b Upstand Trays

1



Apply silicone sealant in accordance with the manufacturer's instructions to seal the shower tray to the wall.

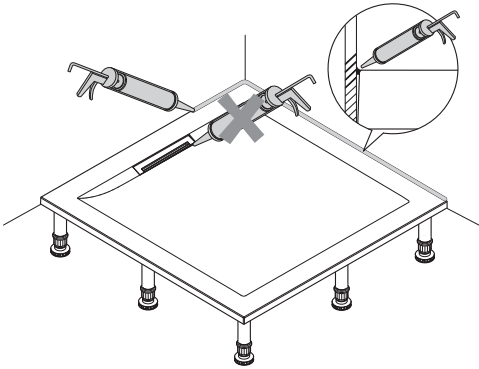
2



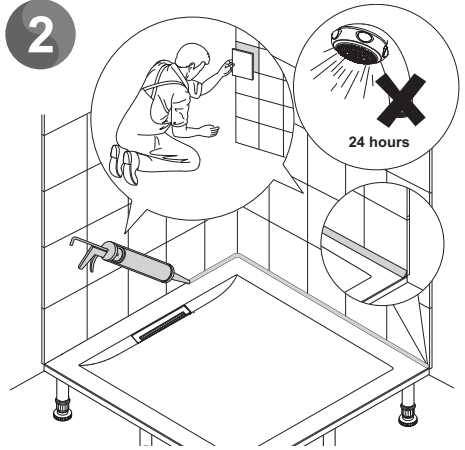
Tile the walls down on top of shower tray. Apply silicone sealant in accordance with the manufacturer's instructions to seal the shower tray to the tiled wall surface.

**C**

## Shower Tray with Legs

**1**

Seal the legs to the floor with silicone sealant. Apply silicone sealant to the locknuts to secure in position. Apply silicone sealant in accordance with the manufacturer's instructions to seal the shower tray to the wall.

**2**

Tile the walls down on top of shower tray. Apply silicone sealant in accordance with the manufacturer's instructions to seal the shower tray to the tiled wall surface.

# Care and Maintenance

**Warning!** The use of grout/tile cleaners, scale removers, abrasive scourers, drain unblockers and other powerful detergents may lead to damage of metallic, plated and plastic surfaces, including the tray and shower waste.

The acrylic surface of this shower tray has good resistance properties to acids but should not come into contact with alkalis or organic solvents, such as caustic soda, dry cleaning agents, paint strippers and strong acids. Should the shower tray be subjected to any non-approved substance it must be cleaned immediately. Particular care must be taken not to damage the manufacturing logo.

Only clean this shower tray with hot soapy water, the tray should be wiped dry with a lint free cloth.

Cleaners of gritty or abrasive nature should **never** be used.

Care should be taken when cleaning anti-slip surface.

Regularly clean the waste to ensure correct operation.

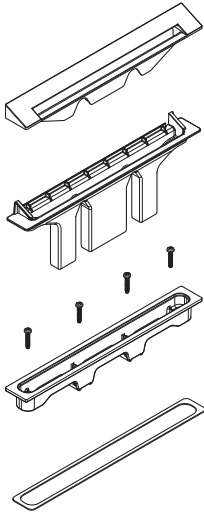
Kohler Mira cannot be held responsible for damage or the effects e.g. discoloration, caused by third party substances and / or materials such as bath or shower mats.



If you need a copy of the Declaration of Performance, then please contact Customer Services



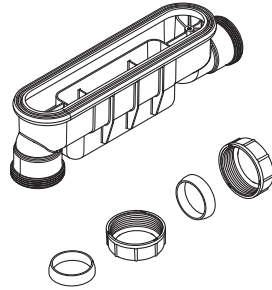
# Spare Parts



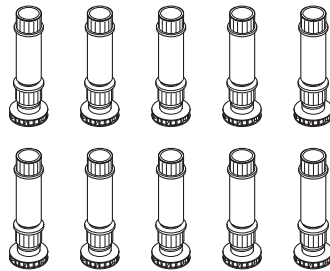
**1898.195**  
Cover (White Gloss)  
**1898.196**  
Cover (White Satin)  
**1898.197**  
Cover (Ganth Satin)



**1898.198**  
Screws Pack



**1898.194**  
Waste Body



**1842.144**  
Multi Leg Pack (x10)

# Notes

# Notes

# Customer Support

## Guarantee

Your product has the benefit of our manufacture's 10 year guarantee (5 years for any commercial installations) which starts from date of purchase. This guarantee only applies in the United Kingdom and Republic of Ireland.

**Note!** wastes, upstand kits and riser kits are guaranteed for 1 year only.

To activate this guarantee, please return your completed registration card, visit our website or free phone 0800 0731248 within 30 days of purchase (UK only).

Within the guarantee period we will resolve defects in materials or workmanship by either repairing the product, providing new goods and parts to you in replacement or refunding (up to but not in excess of) the original purchase price, as we may choose.

This guarantee is in addition to your statutory rights and is subject to the following conditions :

- The guarantee applies solely to the original installation under normal domestic use and to the original purchaser only. The product must be installed and maintained in accordance with the instructions given in this guide. The product must be inspected and issues reported before installation.
- Servicing must only be undertaken by us or our appointed representative. Note! If a service visit is required the product must be fully installed and connected to services.
- Repair under this guarantee does not extend the original expiry date. The guarantee on any replacement parts or product ends at the original expiry date.
- For trims or consumable items we reserve the right to supply replacement parts only.

### The guarantee does not cover:

- Call out charges for damage or defects caused by incorrect installation, frost damage, mildew, limescale, corrosion, chemical attack, lack of maintenance, improper use, inappropriate cleaning (please refer to our Care and Maintenance Instructions) or where no fault has been found with the product
- Compensation for loss of use of the product or consequential or indirect loss of any kind.
- Damage or defects caused if the product is repaired or modified by persons not authorised by us or our appointed representative.
- Wear and tear.
- Accidental or wilful damage.
- Products purchased ex-showroom display.
- Costs of removal of the product following installation and/or reinstallation of any replacement product (or part) including without limitation, tiling costs

**IMPORTANT!** TRAYS MUST BE INSPECTED FOR DEFECTS AND/OR DISTORTION PRIOR TO INSTALLATION. THIS GUARANTEE DOES NOT COVER THE COSTS OF REMOVAL AND/OR REINSTALLATION WHERE A DEFECT WOULD HAVE BEEN DISCOVERED BY INSPECTION PRIOR TO INSTALLATION.

### What to do if something goes wrong

If your product does not function correctly when you first use it, contact your installer to check that it is installed in accordance with the instructions in this manual. If this does not resolve the issue, contact us for help and advice.



#### Helpdesk Service

Contact our Customer Services Team for product advice, to purchase spare parts or accessories or to set up service visit.

We will need you to have your model name or number and date of purchase.



#### Mira Showers Website ([www.mirashowers.co.uk](http://www.mirashowers.co.uk))

Visit our website to register your guarantee, download user guides, diagnose faults, purchase our full range of accessories and popular spares, or request a service visit.



#### Spares and Accessories

We hold the largest stocks of genuine Mira spares and accessories. Contact us for a price or visit our website to purchase items from our accessory range and popular spares. (Only available in the United Kingdom)

### To Contact Us: UK



**0800 001 4040**



**Fax: 01242 282595**



Email – Visit

[www.mirashowers.co.uk/contactus](http://www.mirashowers.co.uk/contactus)



By Post: **Mira Customer Services Dept, Cromwell Road, Cheltenham, Gloucestershire GL52 5EP**

### To Contact Us: Eire Only



**01 531 9337**



E-mail:

[CustomerServiceEire@mirashowers.com](mailto:CustomerServiceEire@mirashowers.com)

Mira is a registered trade mark of Kohler Mira Limited.

The company reserves the right to alter product specifications without notice.



**mira**  
SHOWERS