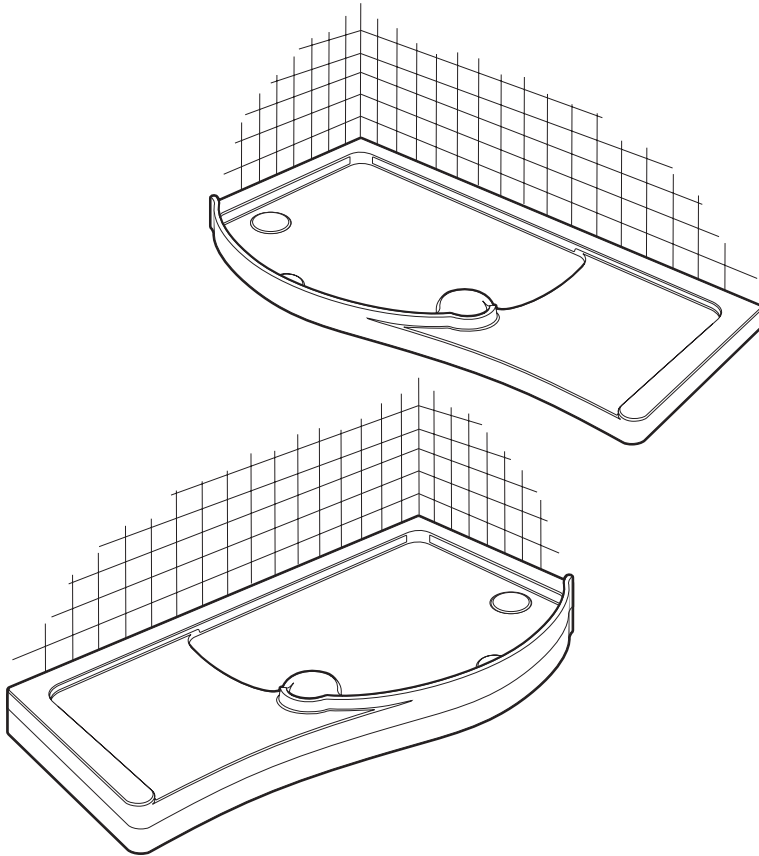


Walk-in Tray

For Walk-in Enclosure

(Low Level and Full Height - 1400 and 1700 mm)



These instructions must be left with the user

Installation Guide

THE BOLD LOOK
OF **KOHLER**®

INTRODUCTION

Thank you for purchasing a quality KOHLER® product. To enjoy the full potential of your new product, please take time to read this guide thoroughly, having done so, keep it handy for future reference. The following pages aim to provide comprehensive installation instructions, plus advice on how to care and maintain your product. We recommend that the unit is installed by a qualified plumber or engineer.

General

1. Read all of these instructions and retain this guide for later use.
2. Pass on this guide in the event of change of ownership of the installation site.
3. Follow all warnings, cautions and instructions contained in this guide.

IMPORTANT INFORMATION

Carefully unpack and check the tray for colour, size, general acceptability and compatibility with the shower enclosure and other bathroom furniture.

Check for transit damage and report any faults immediately to your supplier. No claims for the above will be considered after installation.

Carefully remove all of the blue protective film from the tray for inspection.

Caution! Additional protective coverings such as a dust sheet should then be used to protect the tray from damage from falling objects.

Note! Shower must not produce more than 25 litres per minute.

Once the waste pipe has been connected pour water into the tray to check the tray and pipe connection for correct drainage prior to final fix and tiling.

We recommend this tray is fitted as part of a fully enclosed cubical. If this tray is fitted as a walk-in installation, it is expected that an amount of water will spill onto the open area of the floor. We would therefore advise fixing a threshold strip to minimize this.

Fitting this product is acceptance of quality.

GUARANTEE

For **domestic installations**, we guarantee the product against any defect in materials or workmanship for a period of ten years from the date of purchase.

For **non-domestic installations**, we guarantee the product against any defect in materials or workmanship for a period of one year from the date of purchase.

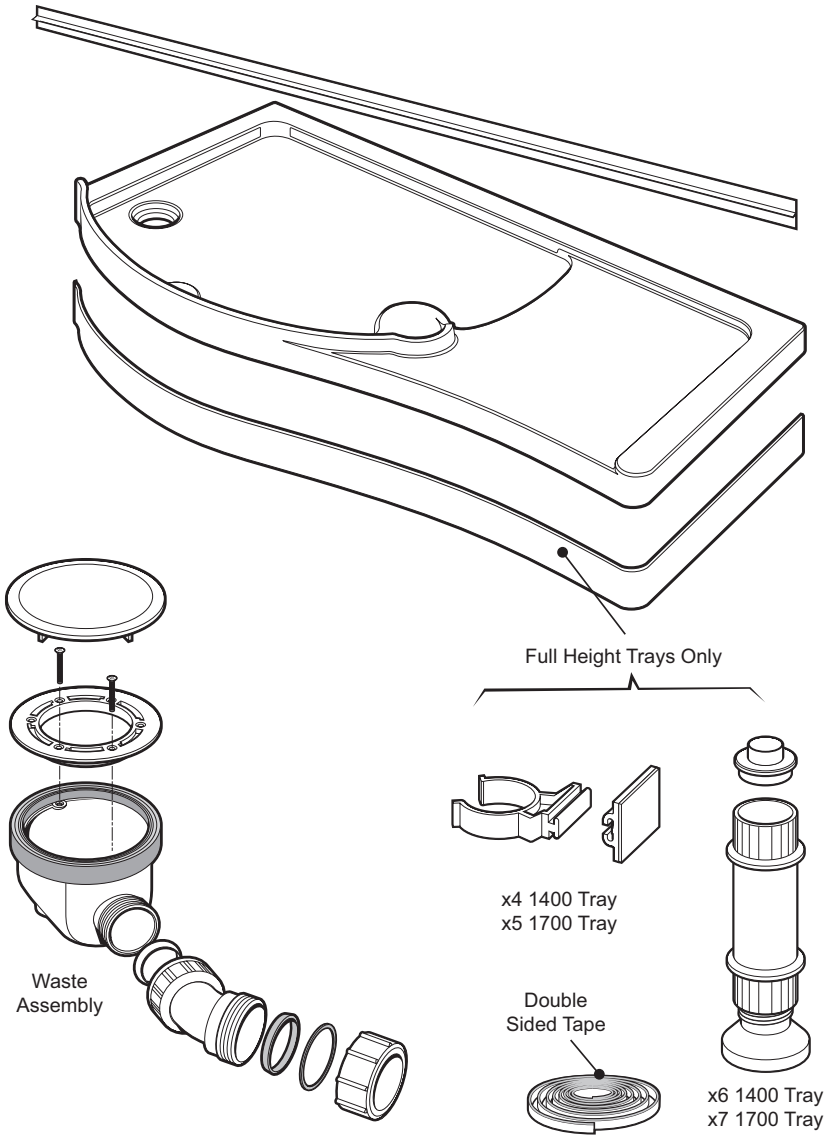
For terms and conditions refer to the back cover of this guide.

Recommended Usage	
Domestic	✓
Light Commercial	✓
Heavy Commercial	✗
Healthcare	✗

Notification to designers, installers and users:

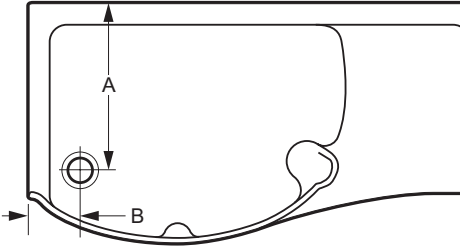
The majority of all shower trays will show an increase in the potential for slipping, when the surface is wet. This is particularly the case when soap, shampoo, bath oil etc. are used.

PACK CONTENTS



INSTALLATION (LOW LEVEL TRAY)

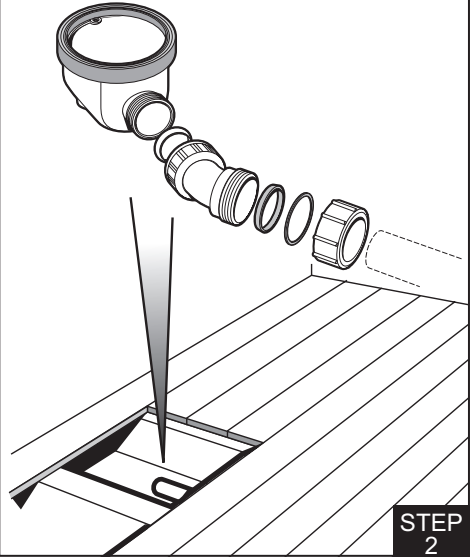
Position of waste, from edge of tray.



	1400 TRAY	1700 TRAY
A	710mm	617mm
B	190mm	190mm

STEP 1

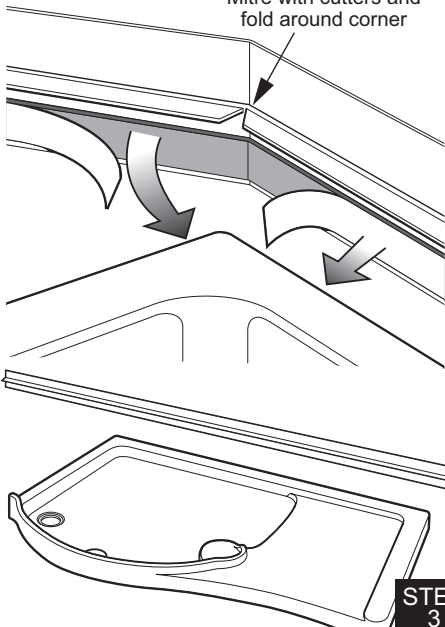
Fit the bottom section of the waste.



STEP 2

Fit the tile upstand

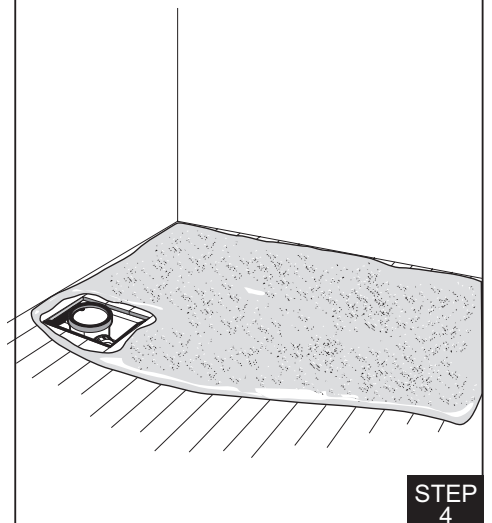
Mitre with cutters and fold around corner



STEP 3

Re-fit floor where required.

Lay a 5:1 sand & cement mix to help level/support the tray



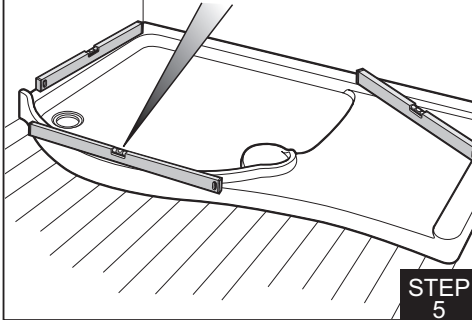
STEP 4

Ensure tray is level.

Allow the sand/cement mix to set before putting any load on the tray.



IMPORTANT
Tray must be level here

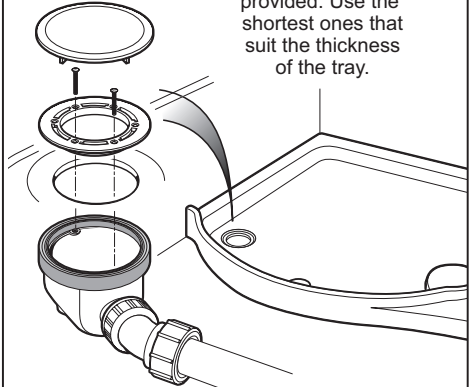


STEP
5

Fit the top section of the waste assembly. Tighten screws until the gasket is gripped and will no longer move.

IMPORTANT:
Do not overtighten the screws.

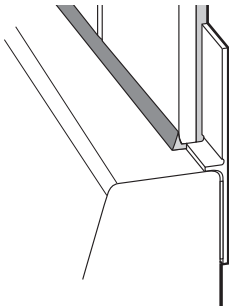
NOTE:
Alternative screws are provided. Use the shortest ones that suit the thickness of the tray.



IMPORTANT:
The waste pipe **MUST** slope between 18 and 90mm per metre length.

STEP
6

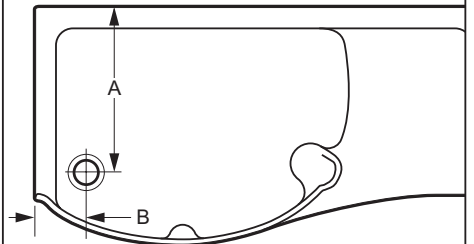
Tile walls and seal between tray and tiles.



STEP
7

INSTALLATION (Full Height Tray)

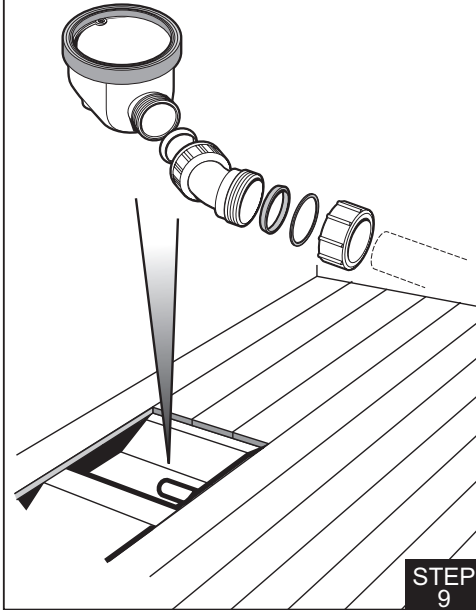
Position of waste, from edge of tray.



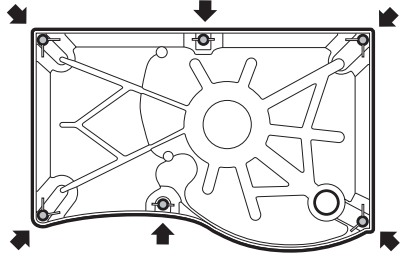
	1400 TRAY	1700 TRAY
A	710mm	617mm
B	190mm	190mm

STEP
8

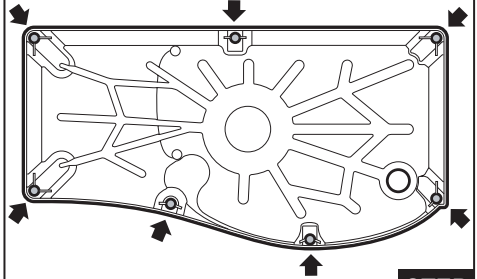
Fit the bottom section of the waste.



1400 Tray: Fixing points for feet (x6)

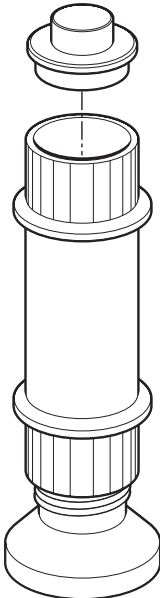


1700 Tray: Fixing points for feet (x7)



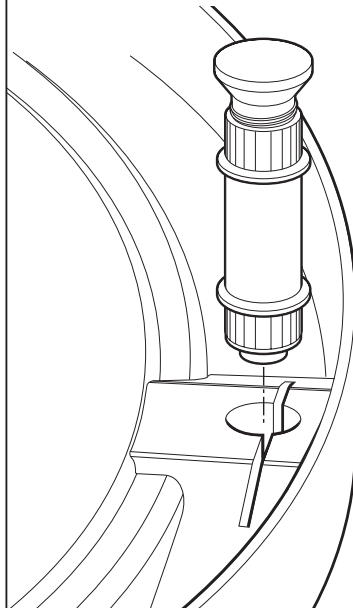
STEP 10

Assemble feet and fit the top hats

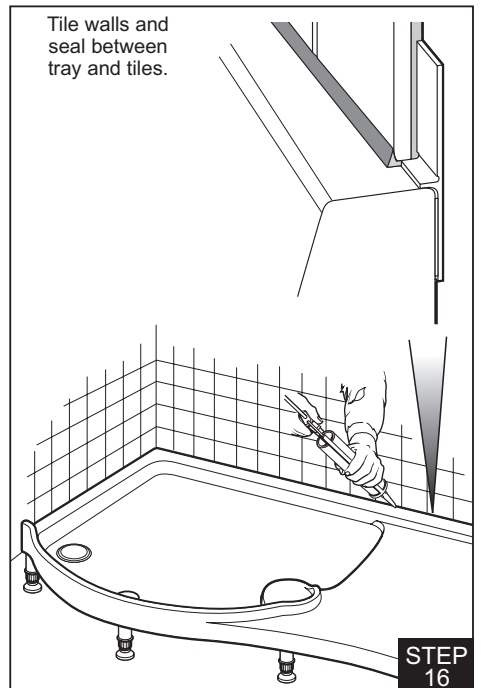
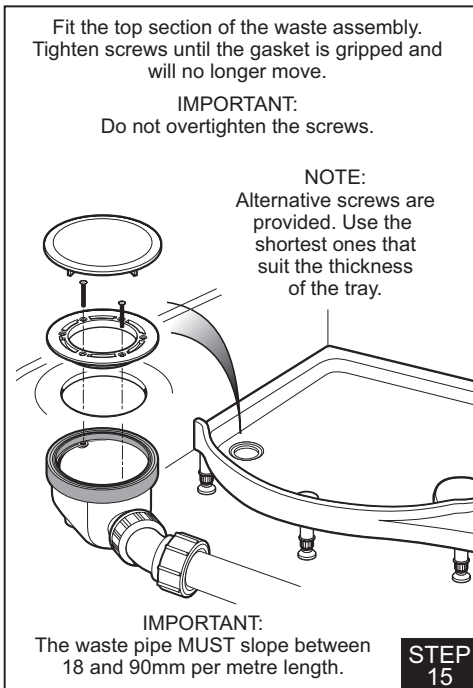
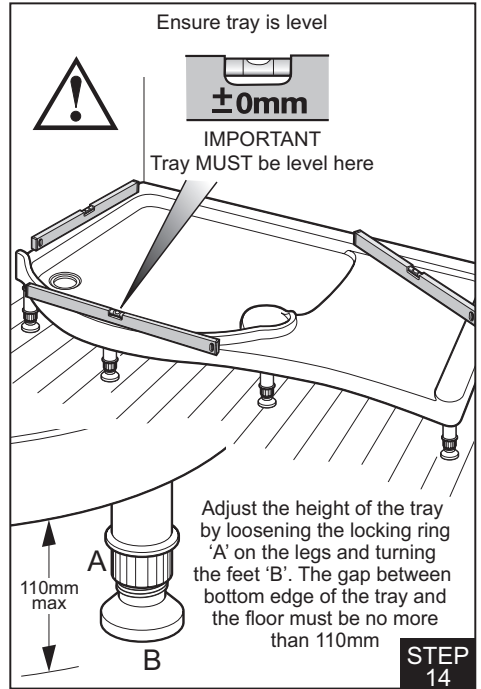
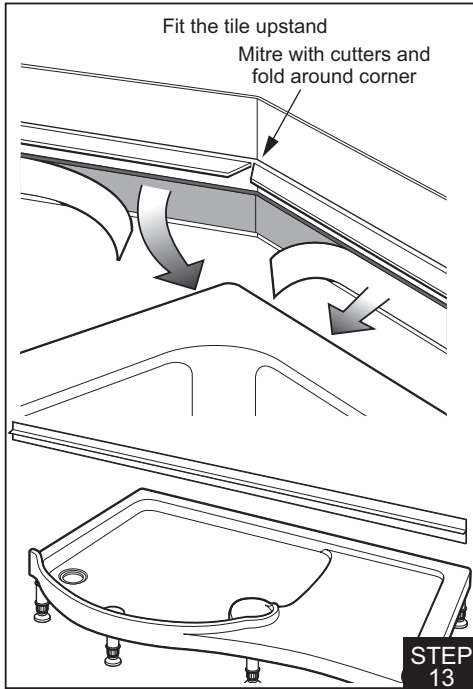


STEP 11

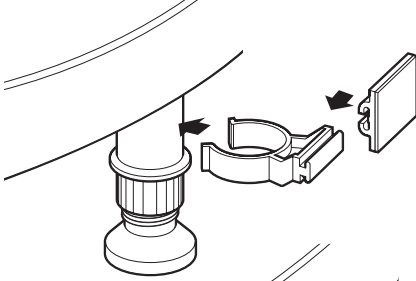
Fit the feet to the tray



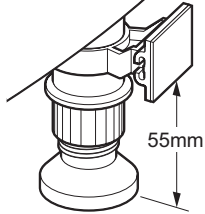
STEP 12



Slide the fixing panels on to the clips and push the clip onto the legs.

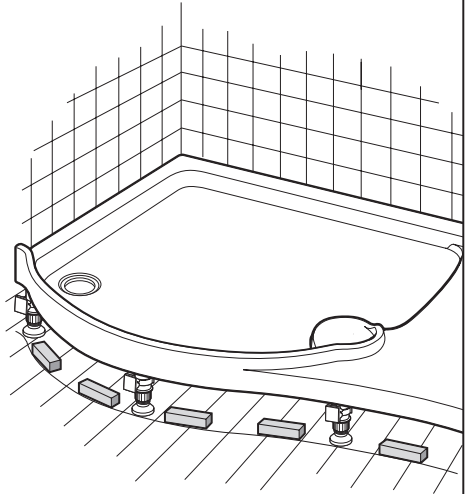


Adjust the clips until the fixing panels are parallel to the front edge of the tray and the bottom edge is 55mm from the floor.



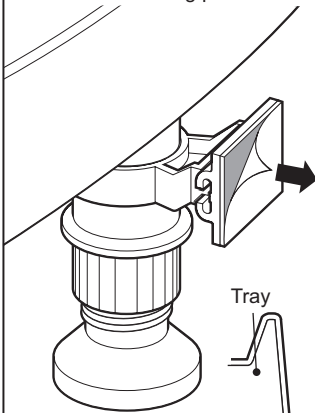
STEP
17

Secure wooden blocks or batons to the floor where the back edge of the panel will fit.



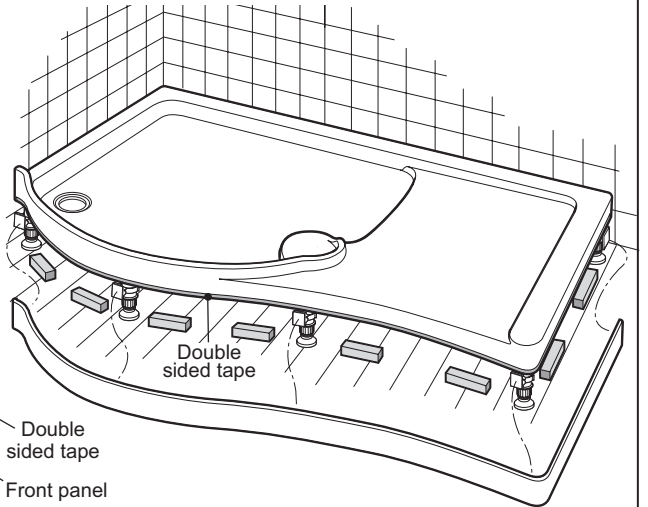
STEP
18

Remove the backing paper from the fixing panels.



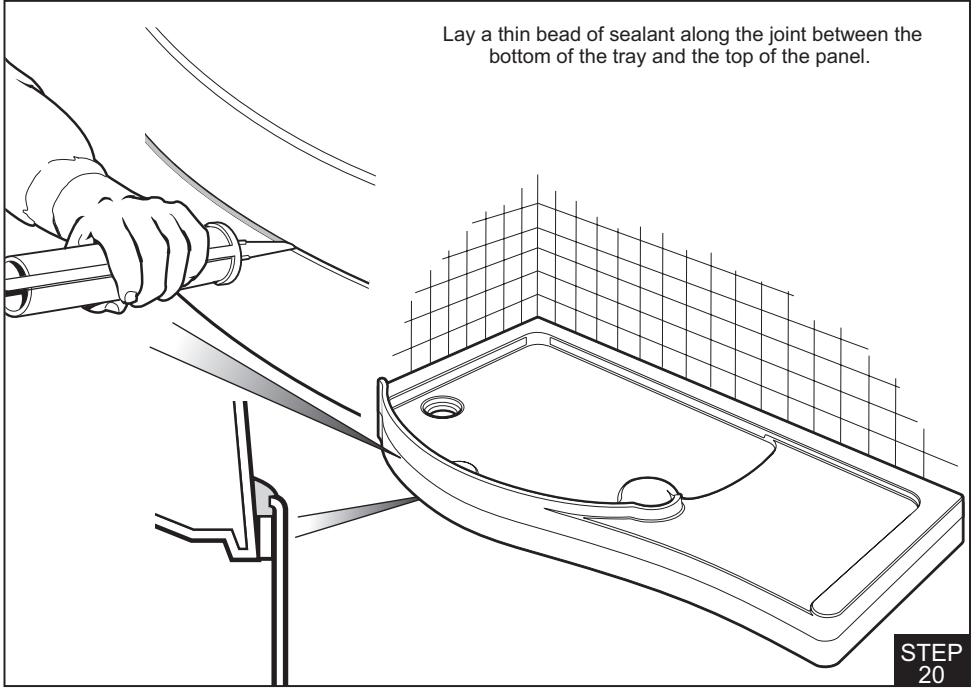
Tray
Front panel fits to front of tray
Double sided tape
Front panel

Apply double sided tape to the edge of the tray.
Fit the front panel to the tray.
Press on the panel in the area of the fixing panels to help the panel adhere to the adhesive pads.



STEP
19

Lay a thin bead of sealant along the joint between the bottom of the tray and the top of the panel.



MAINTENANCE

Due to the physical nature of water, small pockets of water may remain on the shower tray after showering. We recommend that both the tray and the enclosure are wiped down with a dry cloth after use.

Hot soapy water should be used and then the tray should be wiped. Cleaners of gritty or abrasive nature should **never** be used.

The acrylic ABS surface of this shower tray has good resistance properties to acids but should not come into contact with alkalis or organic solvents, such as caustic soda, dry cleaning agents and paint strippers.

Regularly clean the waste to ensure correct operation.

NOTES

CUSTOMER SERVICE

Guarantee

Your product has the benefit of our manufacturers 10 year guarantee which starts from the date of purchase. Within the guarantee period we will resolve defects in materials or workmanship by either repairing the product, providing new goods and parts to you in replacement or refunding (up to but not in excess of) the original purchase price, as we may choose.

This guarantee is in addition to your statutory rights and is subject to the following conditions:

- The guarantee applies solely to the original installation under normal domestic use and to the original purchaser only.
- The product must be installed and maintained in accordance with the instructions given in this guide.
- The product must be inspected and issues reported before installation.
- Servicing must only be undertaken by us or our appointed representative. **Note!** if a service visit is required the product must be fully installed and connected to services.
- Repair under this guarantee does not extend the original expiry date.
- The guarantee on any replacement parts or products ends at the original expiry date.
- For trims or consumable items we reserve the right to supply replacement parts only.

The guarantee does not cover:

- Call out charges for damage or defects caused by incorrect installation, frost damage, mildew, limescale, corrosion, lack of maintenance, improper use, inappropriate cleaning (please refer to our Care and Maintenance Instructions) or where no fault has been found with the product.
- Compensation for loss of use of the product or consequential or indirect loss of any kind.
- Damage or defects caused if the product is repaired or modified by persons not authorised by us or our appointed representative.
- Wear and tear.
- Accidental or wilful damage.
- Product purchased ex-showroom display.
- Costs or removal of the product following installation and/or reinstallation of any replacement product (or part) including without limitation, tiling costs.
- **Note!** Integrated shower systems are subject to a separate guarantee.

IMPORTANT! TRAYS MUST BE INSPECTED FOR DEFECTS AND/OR DISTORTION PRIOR TO INSTALLATION. THIS GUARANTEE DOES NOT COVER THE COSTS OF REMOVAL AND/OR REINSTALLATION WHERE A DEFECT WOULD HAVE BEEN DISCOVERED BY INSPECTION PRIOR TO INSTALLATION.

What to do if something goes wrong

If your product does not function correctly when you first use it, contact your installer to check that it is installed in accordance with the instructions in this manual. If this does not resolve the issue, contact our Customer Services Team who will offer you or your installer help and advice.



Helpdesk Service

Our Customer Services Team is comprehensively trained and can offer help and advice, spare parts, accessories or a service visit.

We will need you to have your model name, model number and date of purchase.



KOHLER® Website (www.KOHLER.co.uk)

From our website you can download additional user guides or request a service visit.



Spares and Accessories

We hold the largest stocks of genuine Kohler spares and accessories.

Contact us for a price and to purchase spares or accessories.



Service / Repairs

No one knows our products better than our nationwide team of Service Technicians. We can carry out service or repair work to your product both during and after the guarantee period.

Ask about our fixed price service repairs.

To Contact Us: UK



0844 571 0048



Fax:
0844 571 7157



E-mail:
info@kohler.co.uk

Eire Only

0044 844 571 0048

Fax:
0044 844 571 7157

By Post:

Kohler Mira Limited
Customer Services Dept,
1 Penrose Place,
Skelmersdale,
WN8 9PR



Kohler Mira Limited, Cromwell Road, Cheltenham,
Gloucestershire, GL52 5EP, UK

13

EN 14527 - CL1 +CL2

Kohler is a registered trade mark.
The company reserves the right to alter
product specifications without notice.

THE BOLD LOOK
OF **KOHLER**®