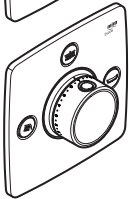


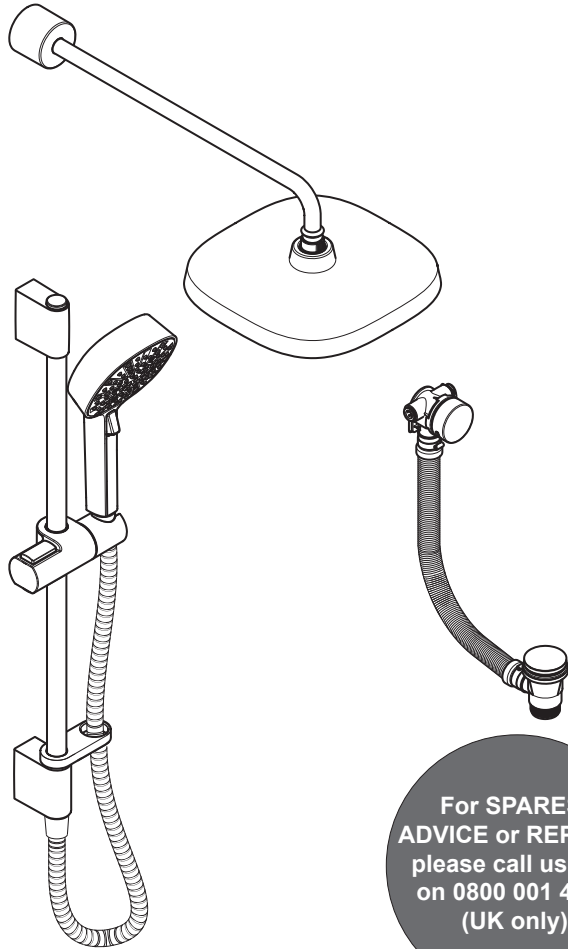
Mira Evoco

Installation and User Guide

Evoco Dual



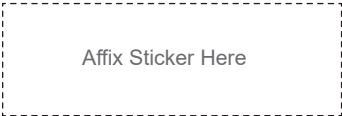
Evoco Triple



For SPARES,
ADVICE or REPAIRS
please call us free
on 0800 001 4040
(UK only)

These instructions must be left with the user

Model Name:
Product Code:
Date of Manufacture:



Affix Sticker Here

(Please keep these details safe as you will need them when registering your product guarantee. Your guarantee information is included in this guide.)



Safety Information

WARNING! This shower can deliver scalding temperatures. For continued safe operation, follow all instructions, warnings and cautions contained in this guide and on or inside the shower. Periodic maintenance may be required to keep the product in good working order.

The function of a thermostatic mixing valve is to deliver water consistently at a safe temperature. In keeping with every other mechanism, it cannot be considered as functionally infallible and as such, cannot totally replace a supervisor's vigilance where that is necessary. Provided it is installed, commissioned, operated and maintained within manufacturers recommendations, the risk of failure, if not eliminated, is reduced to the minimum achievable.

PLEASE observe the following To reduce the risk of injury:

Installing the Shower

1. Installation of the shower must be carried out in accordance with these instructions by qualified, competent personnel. Read all instructions before installing the shower.
2. **DO NOT** install the shower where it may be exposed to freezing conditions. Ensure that any pipework that could become frozen is properly insulated.
3. **DO NOT** perform any unspecified modifications to the shower or its accessories. When servicing only use genuine Kohler Mira replacement parts.
4. If the shower is dismantled during installation or servicing then, upon completion, an inspection must be made to ensure all connections are tight and that there are no leaks.

Using the Shower

5. The shower must be operated and maintained in accordance with the requirements of this guide. Make sure you fully understand how to operate the shower before use, read all instructions and retain this guide for future reference.
6. **DO NOT** switch the shower on if there is a possibility that the water in the shower unit or fittings is frozen.

7. Children younger than 3 years should not use this shower. Children 3 years to under 8 years should only use this shower under continuous supervision. Children aged 8 years and above and persons with reduced physical, sensory or mental capabilities or lack of experience or knowledge can use the shower if they are given supervision or instruction concerning use of the appliance in a safe way and understand the hazards involved.
8. Anyone who may have difficulty understanding or operating the controls of any shower should be attended whilst showering. Particular consideration should be given to the young, the elderly, the infirm or anyone inexperienced in the correct operation of the controls.
9. **DO NOT** allow children to clean or perform any user maintenance to the shower unit without supervision.
10. Always check the water temperature is safe before entering the shower.
11. **DO NOT** adjust the temperature control rapidly while using the shower.
12. Use caution when altering the water temperature while in use, always check the temperature before continuing to shower.
13. **DO NOT** switch the shower off and back on while standing in the water flow.
14. **DO NOT** fit any form of outlet flow control. Only Mira recommended outlet fittings should be used.
15. The showerhead must be descaled regularly. Any blockage of the showerhead or hose may affect showering performance.
16. The water supplies to this product must be isolated if the product is not to be used for a long period of time. If the product or pipework is at risk of freezing during this period they should also be drained of water.
17. When this product has reached the end of its serviceable life, it should be disposed of in a safe manner, in accordance with current local authority recycling, or waste disposal policy.
18. This appliance is intended to be permanently connected to the water supply and not connected using a flexible hose set.

Introduction

Thank you for choosing a Mira shower. To enjoy the full potential of your new shower, please take time to read this guide thoroughly, and keep it handy for future reference. Products manufactured by Kohler Mira Ltd are designed to be safe, provided that they are installed, used and maintained in good working order, in accordance with our instructions and recommendations.

Follow all warnings, cautions and instructions contained in this guide, and on, or inside the shower. This guide is also available in digital format from our website or by contacting customer services.

Type 2 Valves

This product has been certified as a Type 2 valve. It also complies with the Water Supply (water fittings) regulations 1999. For further information on Type 2 Valves, refer to the TMV2 Requirements Manual (available to view or download on our website www.mirashowers.com). The approved designation for this product is listed in the table below.

Product Code	Model Name	Colour	Type 2 Designation
B12A	Dual Outlet Shower	Chrome, Matt Black & Brushed Nickel	HP-S
B12AL	LIT Dual Outlet Shower		
B12B	Dual Outlet Bathfill		
B12BL	LIT Dual Outlet Bathfill		
B12CL	LIT Triple Outlet Bathfill		

Guarantee

For **domestic installations**, Mira Showers guarantee the product against any defect in materials or workmanship for a period of **five** years from the date of purchase (shower fittings for one year).

For **non-domestic installations**, Mira Showers guarantee the product against any defect in materials or workmanship for a period of **one** year from the date of purchase.

Failure to follow the instructions provided with the shower will invalidate the guarantee. For Terms and Conditions refer to the '**Activating Your Free Guarantee and Customer Service**' pages.

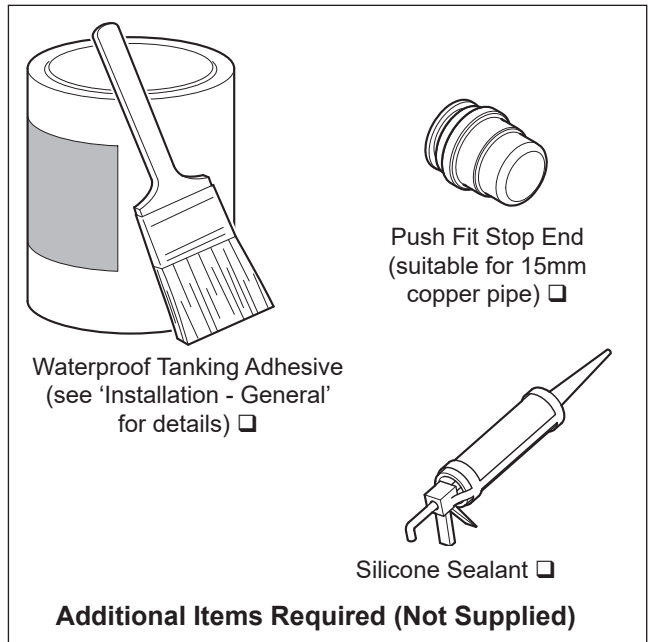
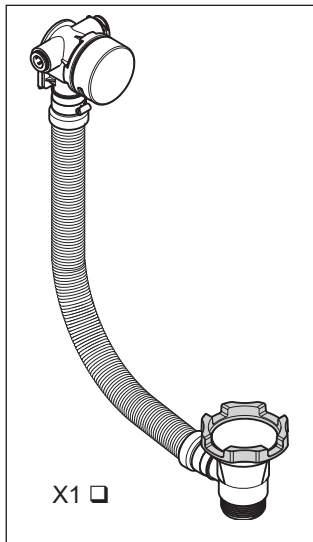
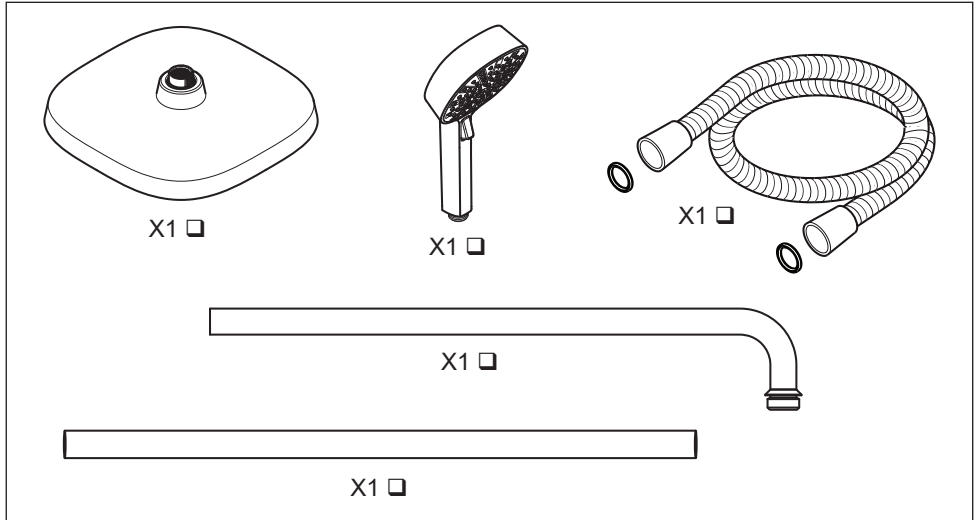
Design Registration and Patents

Design Registration: 007749684-0005, 007749684-0006, 007749684-0007, 007749684-0008, 007749684-0009

Recommended Usage

Domestic	✓	Light Commercial	✓
Heavy Commercial	✗	Healthcare	✗

Important! Some parts may differ from the below depending on product purchased.



Specifications

Pressures	
Maximum Static Pressure	1000 kPa (10 bar)
Maximum Maintained Pressure	500 kPa (5 bar)
Minimum Maintained Pressure (Gas Water Heater)	100 kPa (1 bar) (for optimum performance supplies should be nominally equal)
Minimum Maintained Pressure (Gravity System)	10 kPa (0.1 bar), (0.1 bar = 1 Metre head from cold tank base to shower handset outlet)
Temperatures	
Close temperature control	20°C - 50°C
Optimum Thermostatic Control Range	35°C to 45°C (achieved with supplies of 15°C cold, 65°C hot and nominally equal pressures)
Recommended Hot Supply	60°C to 65°C
Minimum Hot Water Supply Temperature	55°C (Note: The mixing valve can operate at temperatures up to 85°C for short periods without damage. However for safety reasons it is recommended that the maximum hot water temperature is limited to 65°C). Warm up feature may not work if your hot inlet temp is below 55°C.
Minimum Recommended Differential between Hot Supply and Outlet Temperature	12°C at desired flow rates
Cold Water Range	1 - 25°C
Plumbing Connections	
Hot: Left	15mm Push Fit
Cold: Right	15mm Push Fit
Outlet:	Dual/Triple Outlet = RAC: 15mm Push Fit Overhead and Bathfiller: 15mm Push Fit

- **Important!** This product uses 15mm Push fit connectors and is not suitable for any other pipe sizes. We recommend the use of copper pipework.
- **Warning!** This product does not allow for reversed inlets and will deliver dangerously unstable temperatures if fitted incorrectly.

Thermostatic Shut-down

- For safety and comfort the thermostat will shut off the mixing valve **within 2 Seconds** if either supply fails (achieved only if the blend temperature has a minimum differential of 12°C from either supply temperature).

Suitable Plumbing Installations

The Thermostatic Mixer can be installed with all systems with balanced pressures. Mixed gravity and mains supplies are not recommended.

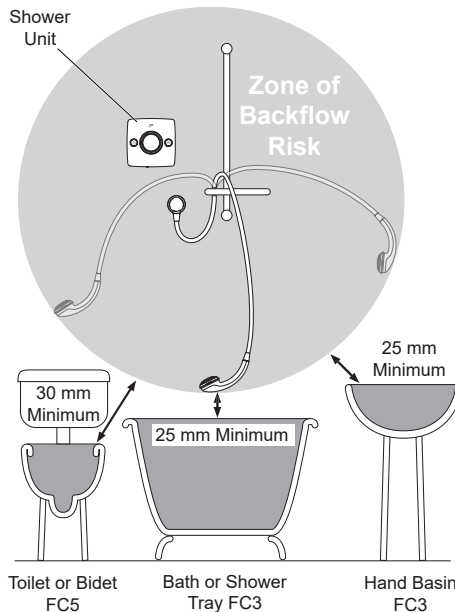
Installation

Warning! This product does not allow for reversed inlets and will deliver unstable temperatures if fitted incorrectly.

General

1. Installation of the shower must be carried out in accordance with these instructions by qualified, competent personnel.
2. The plumbing installation must comply with all national or local water regulations and all relevant building regulations, or any particular regulation or practice specified by the local water supply company.
3. Make sure all pressures and temperatures comply with the requirements of the shower. See '**Specifications**'. For Type 2 Valves, refer to supply conditions given in the **TMV2 Requirements Manual (this is available to view or download from our website www.mirashowers.com)**.
4. Full bore/non restrictive servicing valves must be fitted in a readily accessible position adjacent to the shower to facilitate maintenance of the shower. **DO NOT** use a valve with a loose washer plate (jumper) as this can lead to a build up of static pressure.
5. The product contains built in check valves. **DO NOT** install inlet check valves as this can lead to a build up of static pressure and potential product damage and leaking.
6. **DO NOT** apply excessive force to plumbing connections; always provide mechanical support when making plumbing connections. Any soldered joints should be made before connecting the shower.
7. Pipework dead-legs should be kept to a minimum.
8. **DO NOT** install the shower unit in a position where access for maintenance is restricted.
9. **The shower must be fitted to a waterproof, flat and even wall surface.** Decorative and mosaic tiles are not recommended in the area where the shower is to be installed, as they may cause problems with sealing around the valve and also effect product operation.
10. The wall cavity must provide sufficient support for the shower unit. The 4 cavity fixing screws (No. 10 x 2") and wall plugs supplied are suitable for most solid wall and stud partition installations. Use all 4 fixing points to secure the shower unit, be sure to use fixings appropriate for the chosen wall structure. The front concealing plate must be fitted to a waterproof, flat and even wall surface.

11. Position the shower unit where the controls are at a convenient height for the user. Position the showerhead so that the water sprays in line with the bath or across the opening of a shower cubicle. The installation must not cause the shower hose to be kinked during normal use.
12. A suitable waterproof shower tanking adhesive is required for the fabric wall seal supplied. We recommend a liquid based plumbing type to be applied with a paint brush, available from tile / builder merchants. A sufficient amount is required for coating the fabric seal twice during the installation.
13. The water supplies to this product should be isolated if the product is not to be used for a long period of time. If the product or pipework is at risk of freezing during this period they should also be drained of water.
14. The position of the shower and shower fittings must provide a minimum air gap of 25 mm between the showerhead and the spill over level of any bath, shower tray or basin. There must be a minimum distance of 30mm between the showerhead and the spill over level of any toilet, bidet or other appliance with a Fluid Category 5 backflow risk.

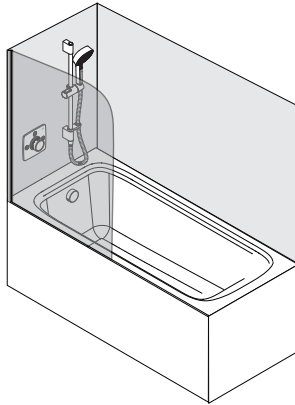
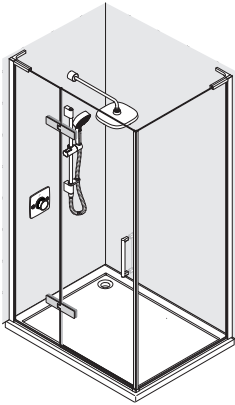


Note: There will be occasions when the hose retaining ring will not provide a suitable solution for Fluid Category 3 installations. In these instances an outlet double checkvalve must be fitted, this will increase the required supply pressure typically by 10kPa (0.1 bar). Double checkvalves fitted in the inlet supply to the appliance cause a pressure build up, which affects the maximum static inlet pressure for the appliance and must not be fitted. For Fluid Category 5, double checkvalves are not suitable.

Installation

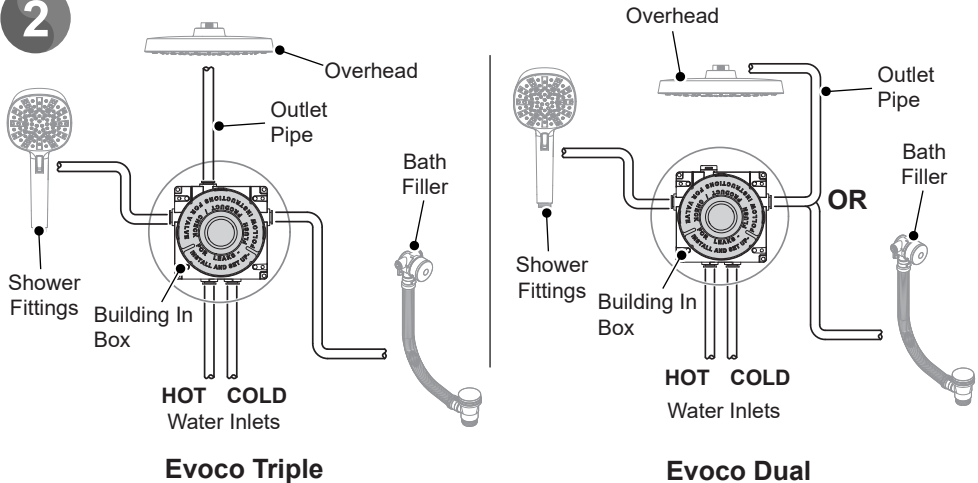
1

Warning! Isolate the water supplies before installing the shower.



Decide on a suitable position for the shower unit and fittings.

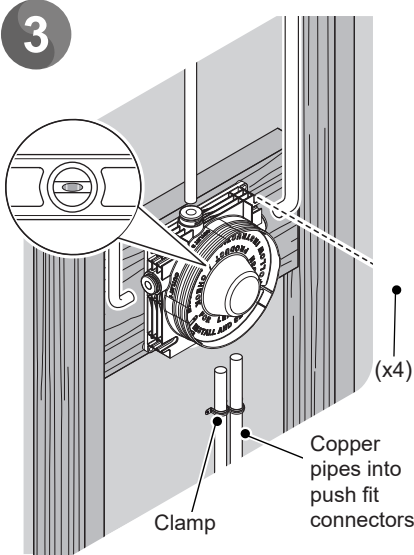
2



Determine the pipework route. All pipework to the product must be clipped and supported to prevent movement and pipe noise due to any pulse pressures.

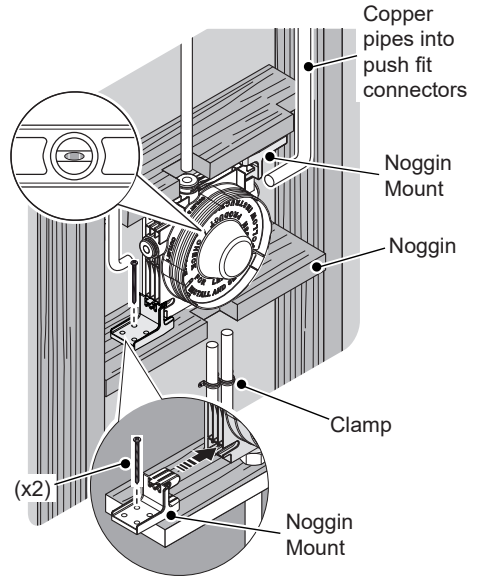
Position the outlet so that the shower hose will not obstruct the control handle and the fixing screws will avoid the outlet pipe.

Warning! This product does not allow for reversed inlets and will deliver dangerously unstable temperatures if fitted incorrectly.

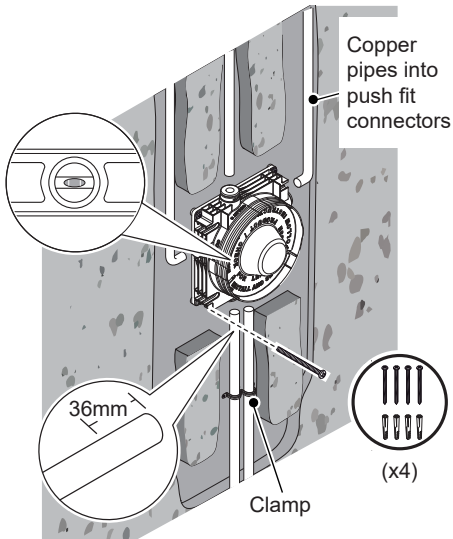


Rear Fixing Mounting Method

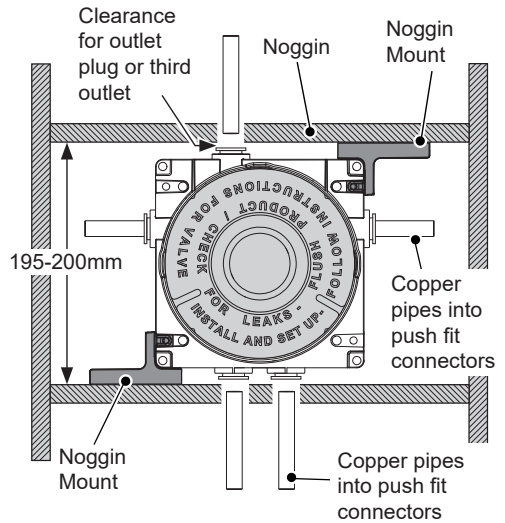
OR



OR



Solid Wall Rear Fixing

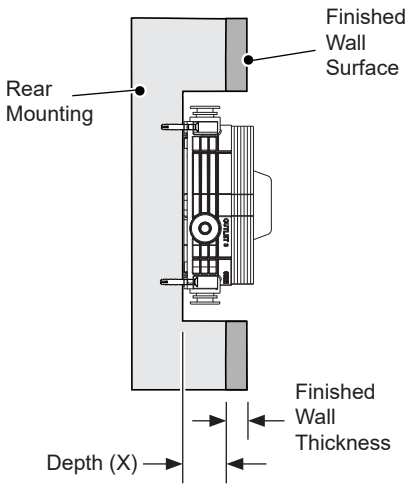


Stud Partition Noggin Mounting Method

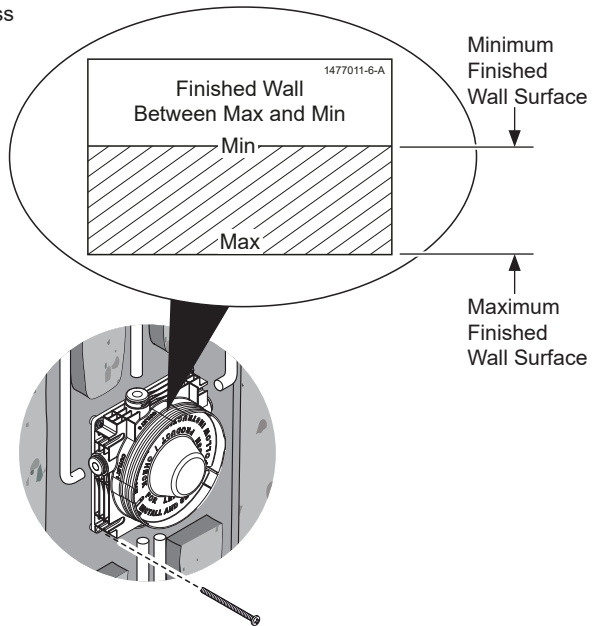
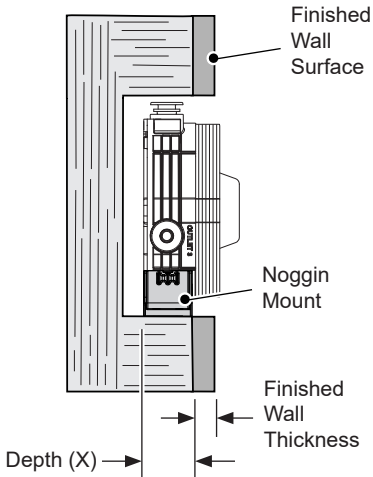
Plan fixing method for product in wall cavity.

Note: For two outlet version, the top outlet will be blocked off. **DO NOT** remove the outlet cap on the box.

Note: For wall depths greater than 90mm, please use the noggin mounts or place a wood panel behind the product.



Finished Wall Thickness (e.g. tile and adhesive)	Wall Cutout Depth 'X'
4mm	86 - 66mm
6mm	84 - 64mm
8mm	82 - 62mm
10mm	80 - 60mm
12mm	78 - 58mm
14mm	76 - 56mm
16mm	74 - 55mm



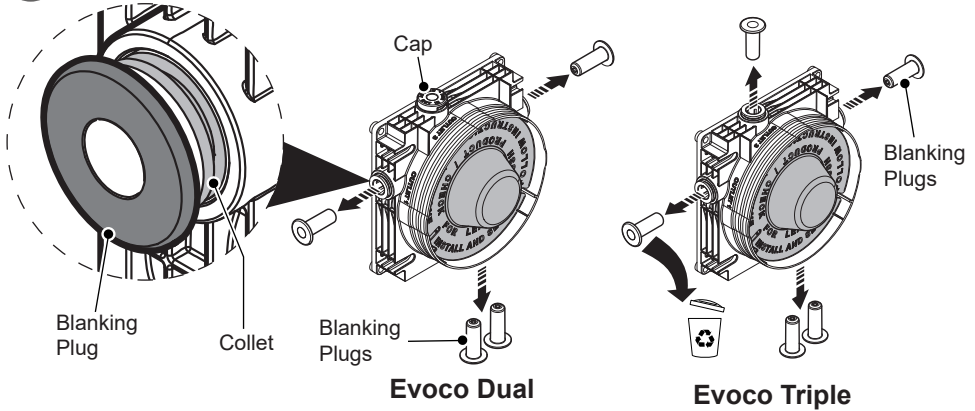
Create a suitable cavity for the Building In Box and the pipework.
Cut away the plasterboard and/or brick work to the required depth.

Important! This depth 'X' will depend on the finished wall thickness e.g. tiles or facia board. Refer to the table for this measurement.

For stud partitions depth 'X' refers to the distance from the rear mounting e.g. timber noggin, to the front of the wall (before tiling).

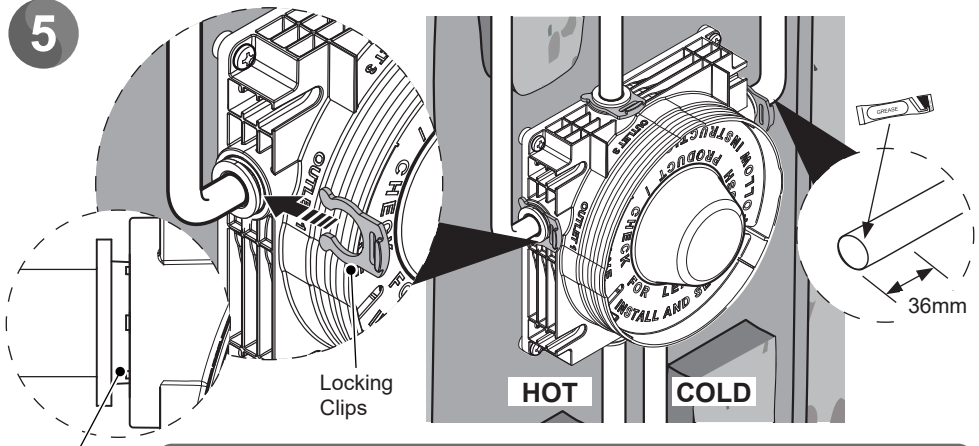
Secure the Building in Box into the cavity. Use a 6mm diameter drill to suit the wall plugs supplied for solid walls. **DO NOT** use wall plugs when securing to noggin or wooden panel.

4

Important! DO NOT remove the cap for Dual Outlet product.

Push and hold the collet before removing the blanking plugs.

5



Insert locking clip here

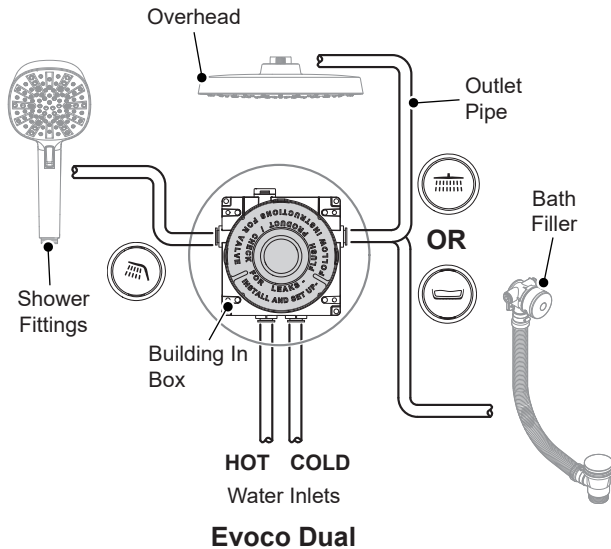
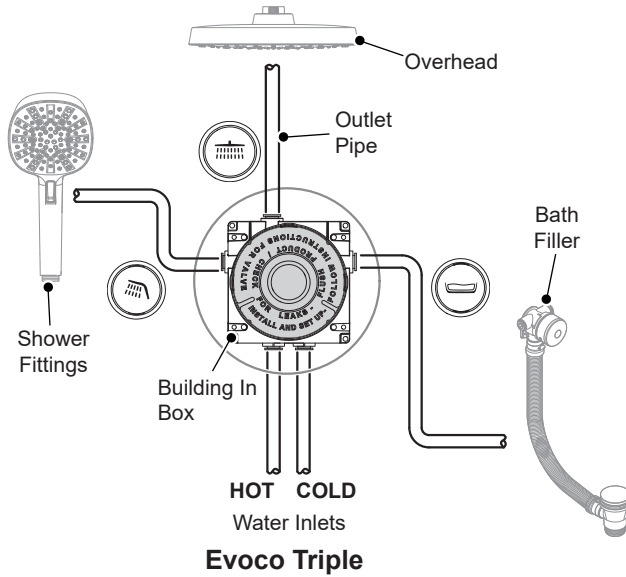
Important! Cut the pipe using a pipe cutter only to ensure the seals are not damaged when the pipe is inserted. Remove all burrs.

Note: Grease sachets are supplied and a small amount should be applied to the end of the pipe to aid insertion.

Push fit the inlet and outlet pipework into the Building In Box. Hold the box securely while fixing the pipework. Insert the locking clips (supplied) to secure the pipes in place.

Warning! Mark each piece of pipework at 36mm. The push-fit connections contain seals (x2). Make sure you push the pipes in the full 36mm as indicated to completely engage (you should feel the pipes push past both seals when you do this). There is a risk of leaking if pipe work not fully pushed into the connector.

6

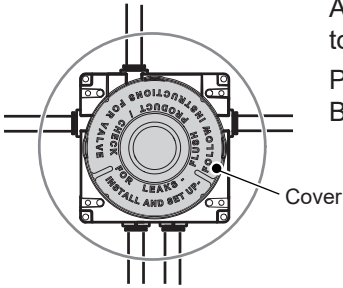


Fit the outlet pipework ready for connection to either a right angle connector for a handset, bath (adjustable fitting), or a shower arm for a fixed spray head (rigid fitting).

Ensure adequate pipe is extruding from the wall for each of the outlets.

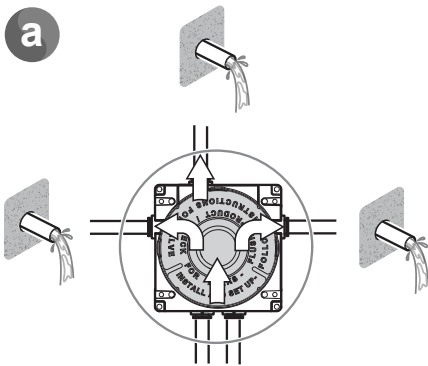
Refer to the shroud button icons for the outlet configuration. If incorrectly installed please refer to button replacement section.

7 Flushing the Pipework



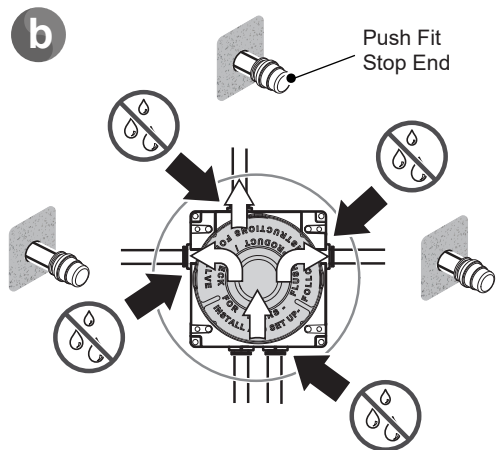
A flushing cartridge is prefitted into the Building in Box to aid in flushing any dirt or debris from the pipework.

Push fit stop end caps are required to test the Building in Box's inlet and outlet joints for leaks.



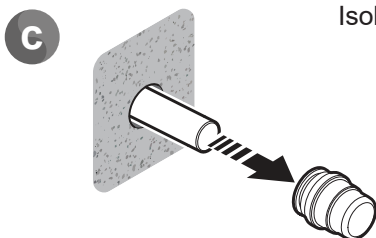
Turn on the water supply and flush the outlets.

Note: You may want to fit stop ends before you turn on the water supplies. These can be removed individually to flush and contain any water in a bucket if the shower tray area is not yet installed.

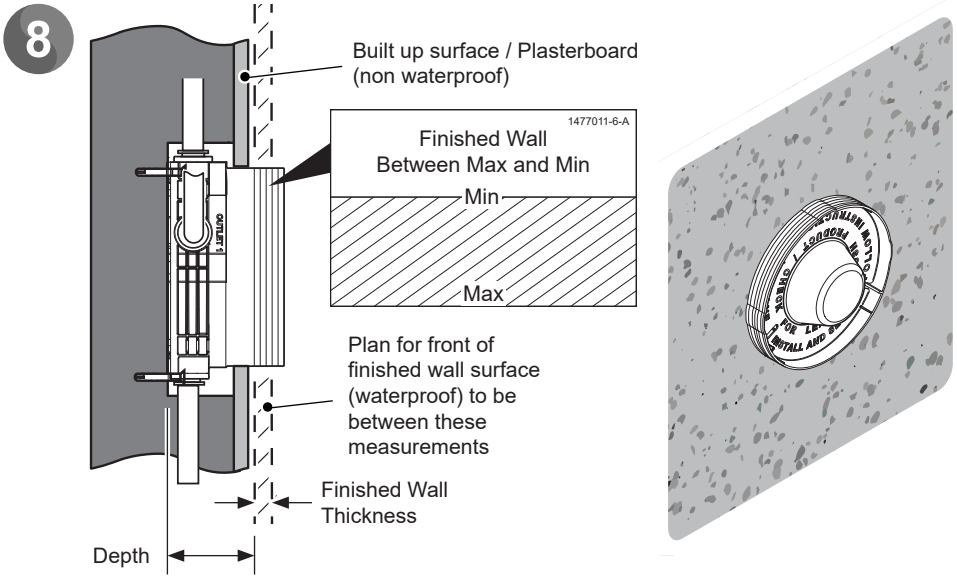


Isolate the water supply and fit the push fit stop ends (not supplied) to the outlets. Re-open the water supply and check for leaks.

Note: When pressure testing the pipework, DO NOT exceed 10 bar maximum pressure.

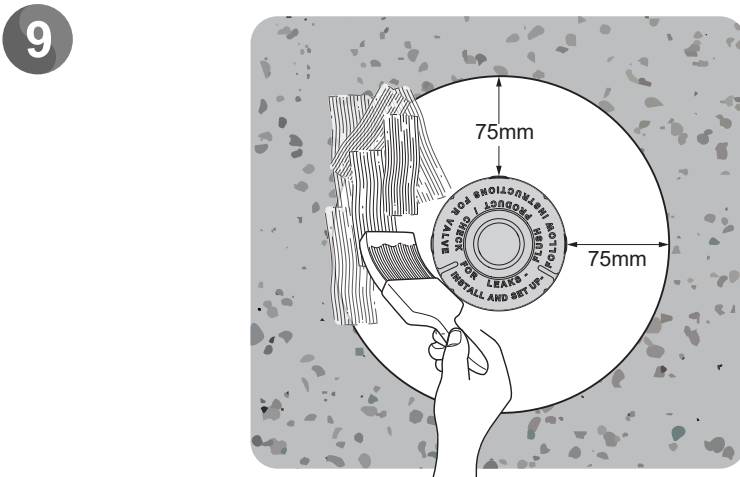


Isolate the water and remove the caps.



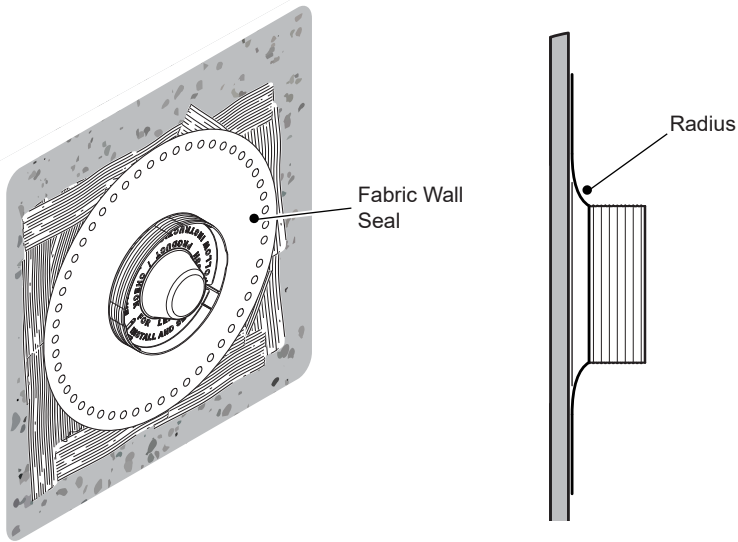
Note: Refer to details of cavity depth and finished wall thickness.

Cut a hole in plasterboard using a 152mm hole cutter and build a surface up to the sides of the Building in Box ready for waterproof finishing.



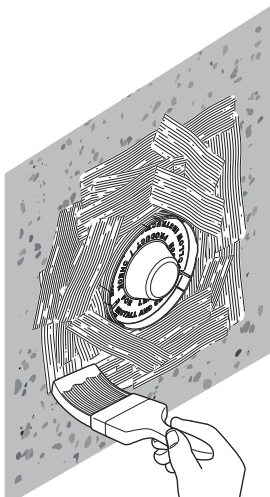
Apply a liberal coat of waterproof adhesive (not supplied) around the product. Use a suitable waterproof shower tanking adhesive. We recommend a liquid based plumbing type to be applied with a paint brush, available from tile/builder merchants. A sufficient amount is required for coating this area twice during the installation.

10



Fit the fabric wall seal and press flat around the edges, creating a radius around the sides of the Building in Box.

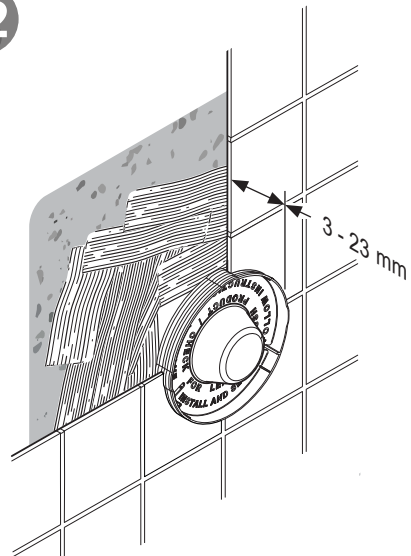
11



Apply further adhesive over the fabric wall seal and around the sides of the Building in Box.

Allow the adhesive to set. Follow the manufacturer's instructions for curing time.

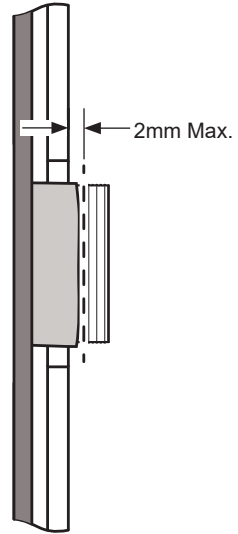
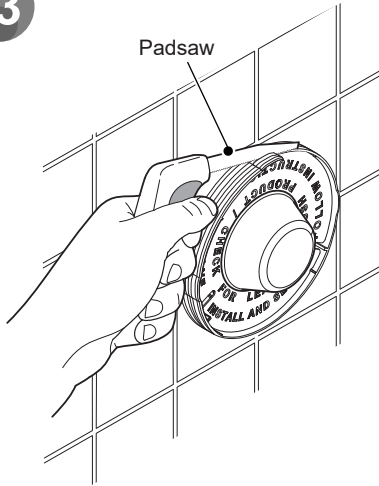
12



Finish the wall surface.

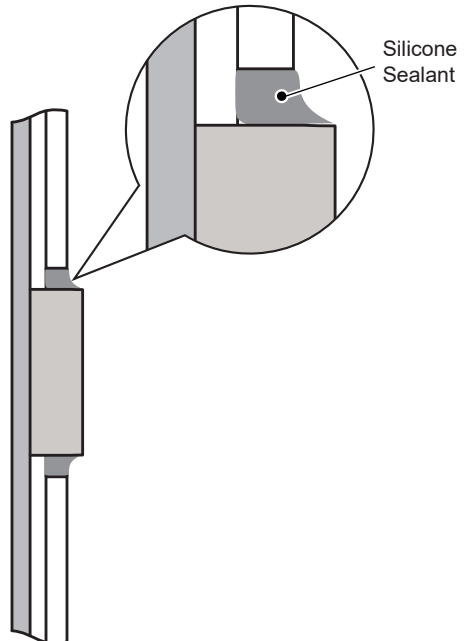
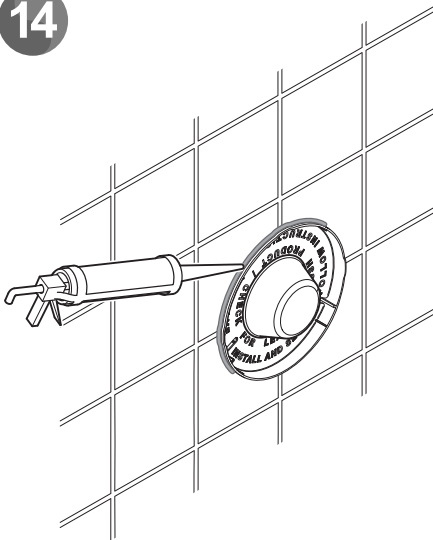
A distance of 3 - 23 mm should protrude from the tiled surface.

13



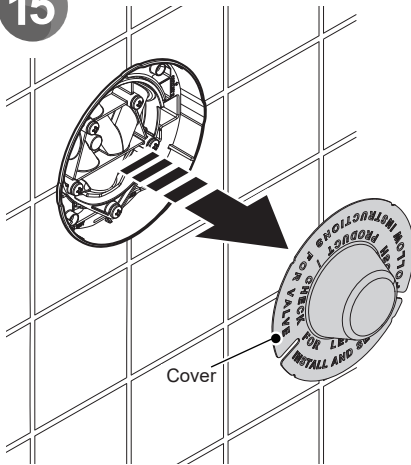
Taking care to prevent damage to the wall finish, trim the Building in Box back to within 2 mm from the finished wall surface.

14



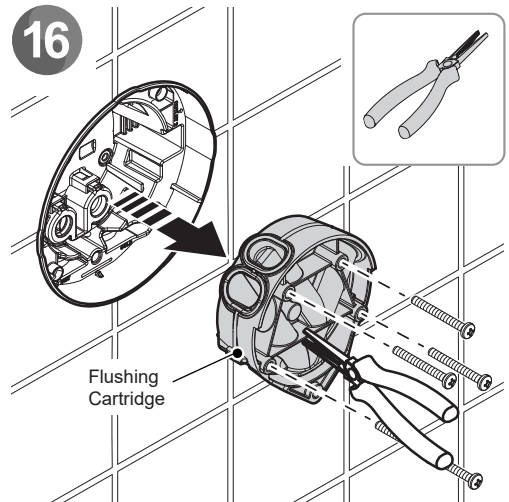
Apply silicone sealant to fill the gap around the Building in Box.

15



Remove the cover but do not throw away as it can still be used to stop debris during finishing of the installation.

16

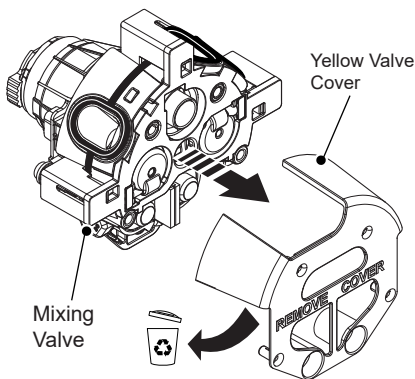


Make sure both water supplies are isolated before removing the flushing cartridge.

Remove the five screws and remove the flushing cartridge and discard.

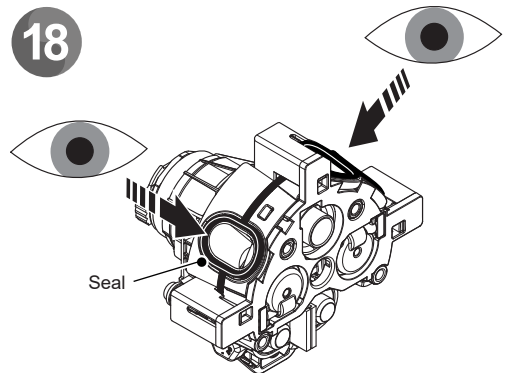
Note: Keep the screws for further installation of mixing valve.

17



Remove the cover from mixing valve.

18

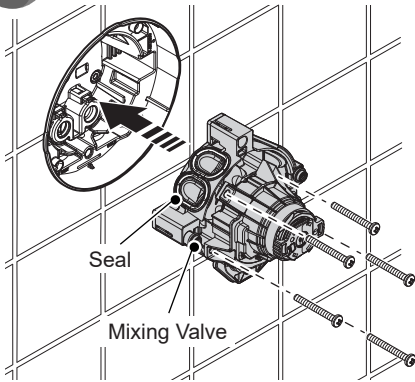


Important! Check cleanliness of seals.

Apply a small amount of grease from the pack supplied to the seals. You will need the remaining grease at later stage.

Make sure the seals are in position before installing the mixing valve.

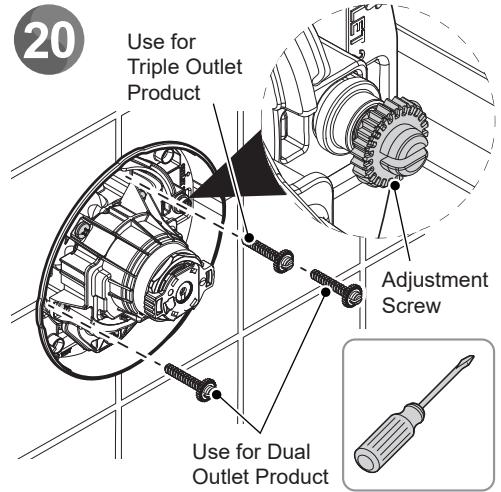
19



Push in and fully secure the mixing valve into the Building in Box using the provided screws that were removed on step 16. **DO NOT** use a power driver.

Note: Ensure mixing valve is fully inserted before screwing into box.

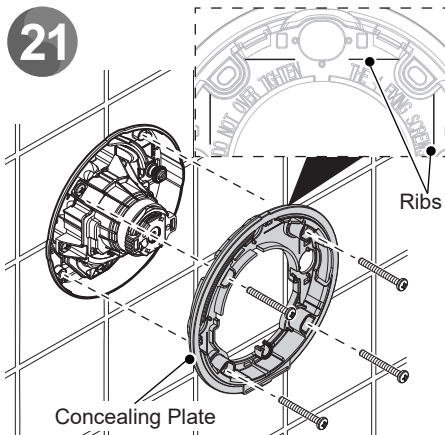
20



Attach two or three adjustment screw depending if installing a dual or triple outlet product by screwing into the respective slot using screwdriver.

Screw fully into product until finger tight.

21

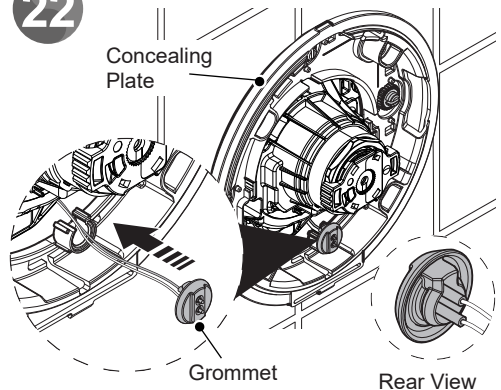


Align ribs on concealing plate parallel to the tiles and secure the concealing plate using the four screws provided in component pack.

Note: DO NOT overtighten the fixing screws as this may distort the concealing plate.

22

Non Lit products, skip step 22

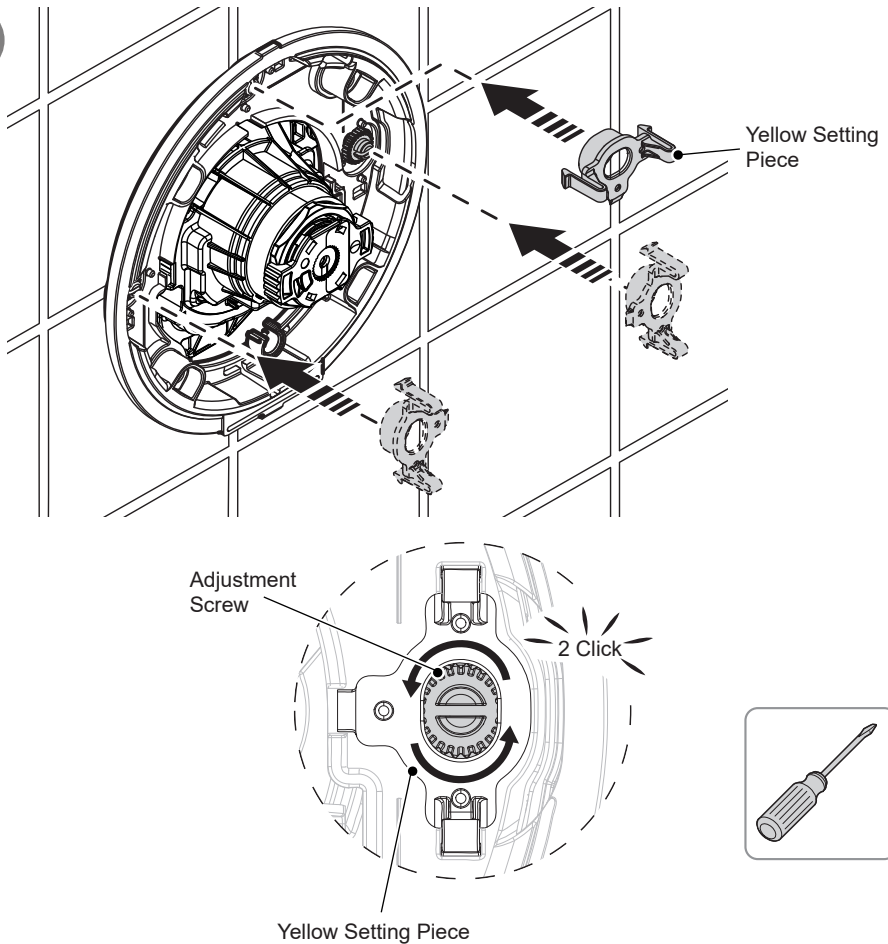


Only for Lit Variants

Push the grommet attached to the mixing valve onto the concealing plate as shown. Wire can be guided through cut out on concealing plate to allow for larger wall cavities.

Note: Ensure wire is guided through concealing plate as shown in image.

23



The adjustment screws have to be set to ensure when the concealing plate is fitted the on/off buttons work correctly to turn the shower on and off.

Push the setting piece over the adjustment screw until it clips into position.

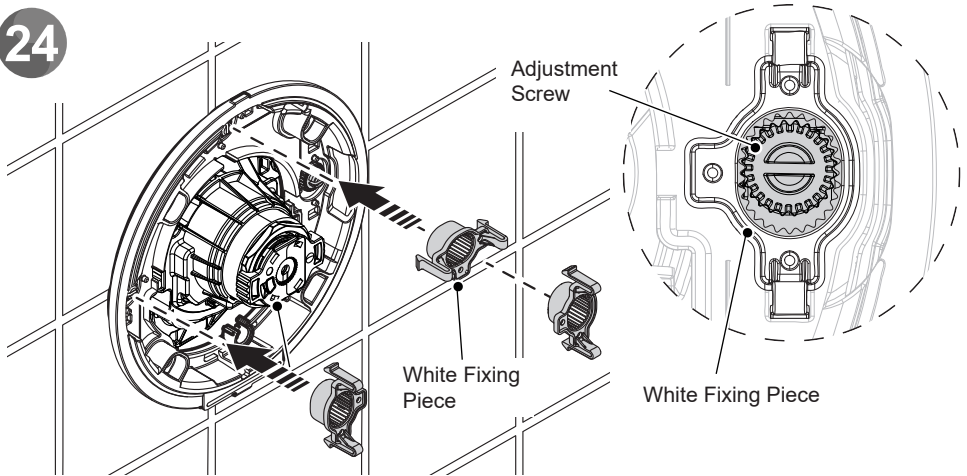
Gently unscrew the adjustment screw until it just touches the setting piece and take care to not press down when unscrewing, when in position there will be a clicking noise (2 clicks) to indicate the adjustment screw is in its correct position.

Depress the clips to remove setting piece and repeat for all adjustment screws

Important! Adjustment screw is spring loaded, take care to not compress when setting the height as it will effect the shut off.

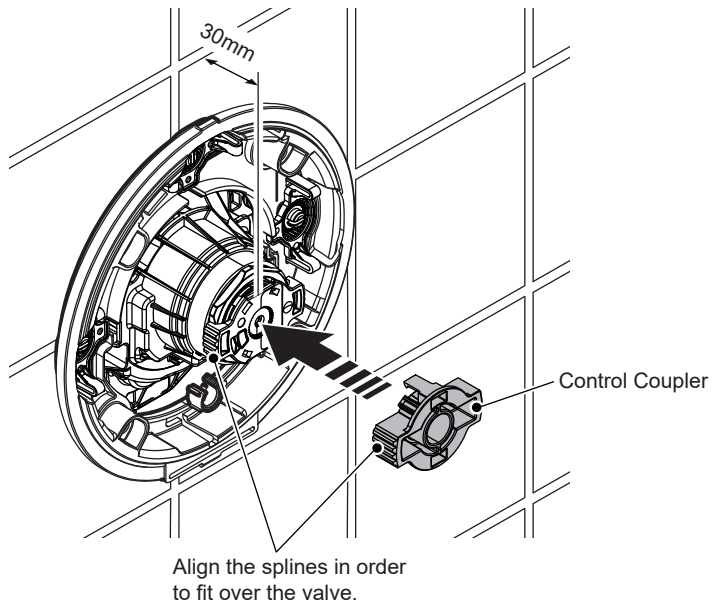
Note: The setting piece is used to remove handle. Please retain.

24



Place the fixing piece over the adjustment screw (as shown). Push and clip the fixing piece to lock adjustment screw in position.

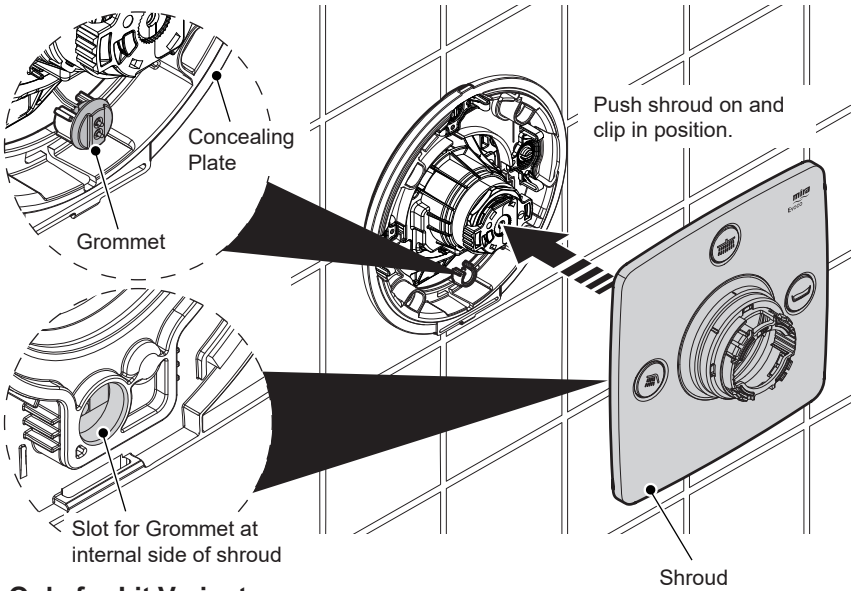
25



Note: Fix the control coupler if the front of the mixing valve is less than 30mm from tile.

Note: Make sure that the spline is oriented in line as shown above.

26

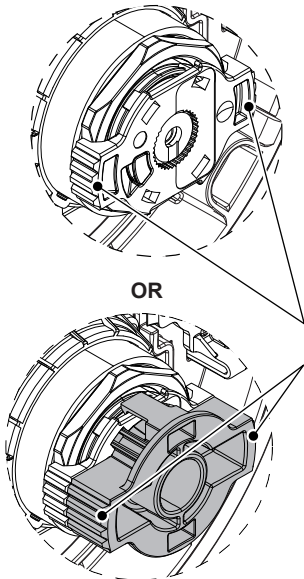


Only for Lit Variants

Mixing Valve

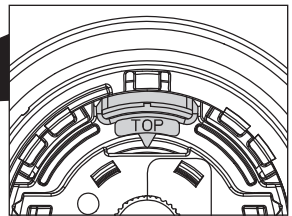
Shroud

Important! Ensure the area marked "Top" is as shown.



OR

Align the splines in order to fit over the valve / control coupler.



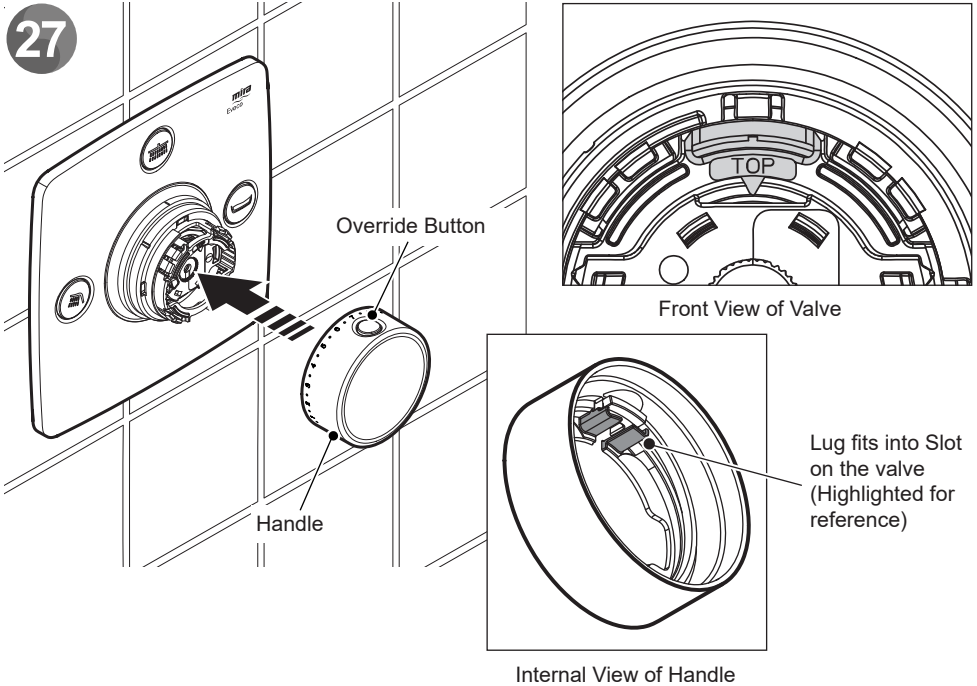
Front View of Shroud installed on Valve

Note: Make sure that the spline is oriented in line as shown above.

Place the shroud over the valve ensuring the logo is in the correct orientation as shown.

Push the shroud onto the fixing plate, and clip into place.

Pull the shroud gently to ensure its clipped into place.



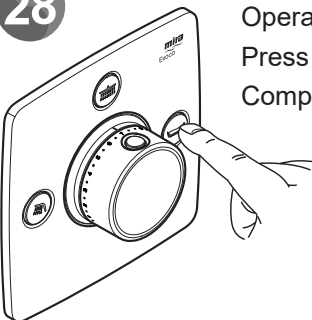
Push fit the handle ensuring that the override button is set at 12 O'clock position and the lug on the inside of the handle matches up with the slot available on the valve.

Note: Position of "TOP" area on the valve may not be facing upwards and **MUST** to be manually rotated into the position shown.

Note: This completes the initial installation of the mixing valve. Complete the shower fittings installation then go to commissioning section.

28

Ensure water supply is turned on.
 Operate one button and confirm the correct outlet flows water.
 Press the same button again and confirm the outlet turns off.
 Complete for all buttons on product.



Note: If outlet does not turn off or insufficient water flows from the product, refer to commissioning to remove the handle and shroud and re-set the adjustment screw height following installation step 23 & 24.

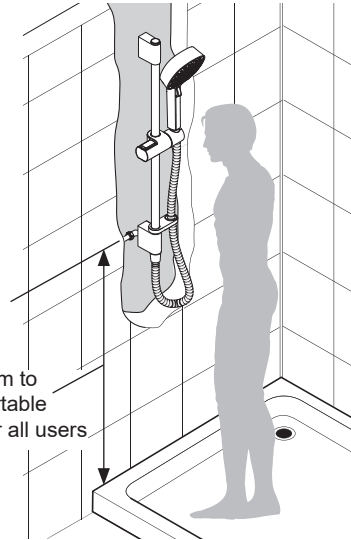
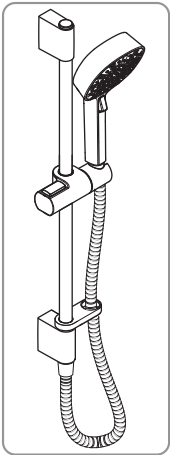
Note: If button operates wrong outlet, refer to "Button Replacement" section.

29 Installation of Shower Fitting

a

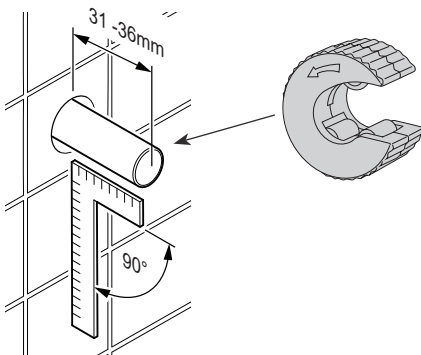
Suitable for solid, dry-lined, stud partition, shower cubicle or laminated panel walls.

Fix with appropriate fixings at convenient height for all users. Position so that water sprays down the centre of the bath, or away from the opening of a shower cubicle. Water should spray away from the mixing valve when the showerhead is held on the slide bar.



1300mm Minimum to achieve a comfortable shower height for all users

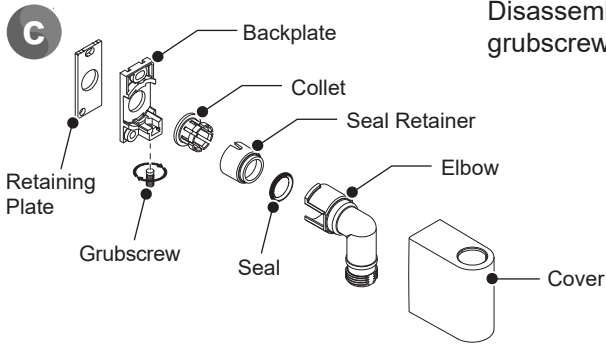
b



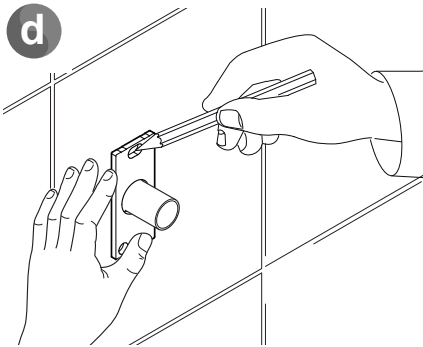
The right angle connector must be fitted to a waterproof, flat and even wall surface.

Using a suitable pipe cutter, trim the pipework back to the required depth from the finished wall surface.

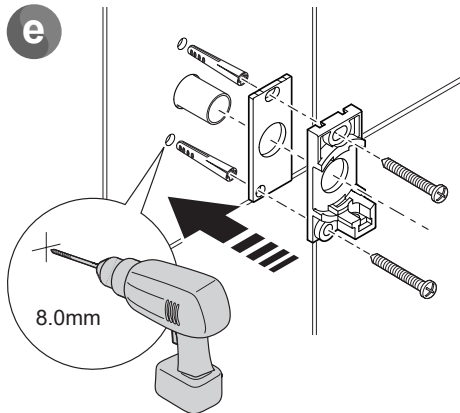
Remove all burrs and sharp edges.



Disassemble the components by turning grubscrew clockwise.



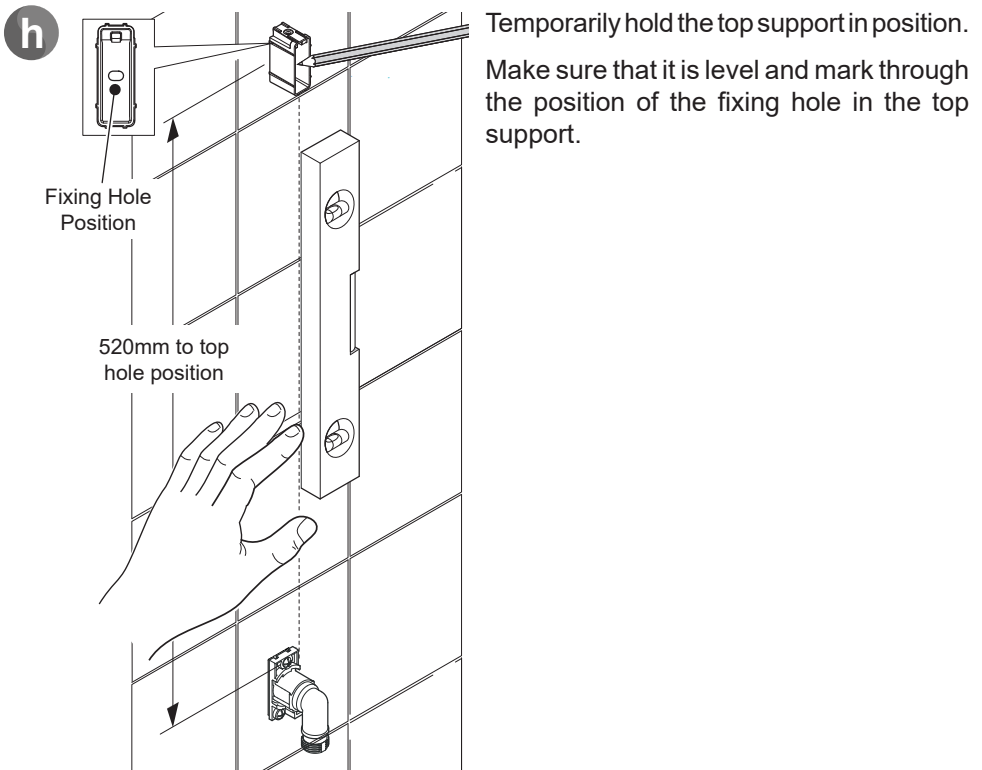
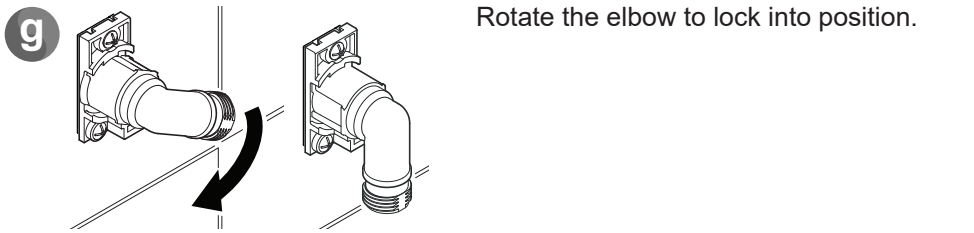
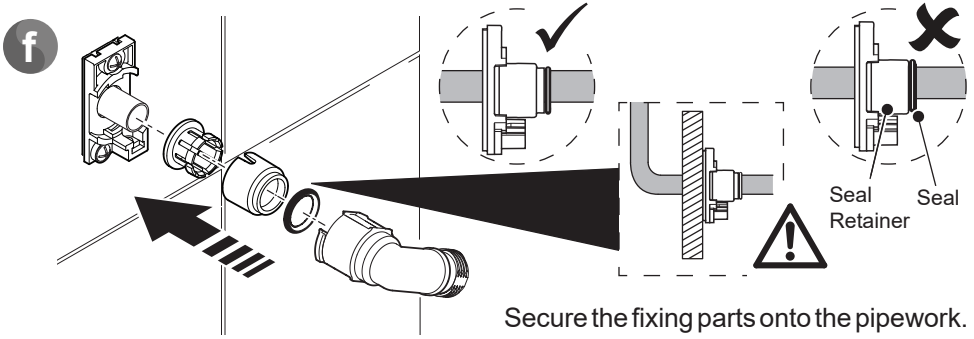
Mark the positions for the fixing holes for the RAC back plate.

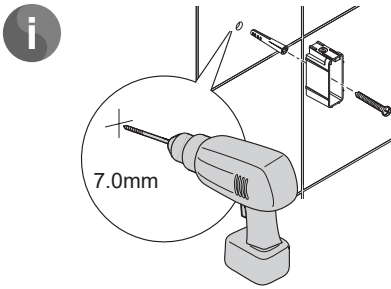


The screws and wall plugs supplied are suitable for most solid wall installations. Alternative fixing screws for panel structures are not supplied.

Use both fixing points to secure the right angle connector, be sure to use fixings appropriate for the chosen wall structure.

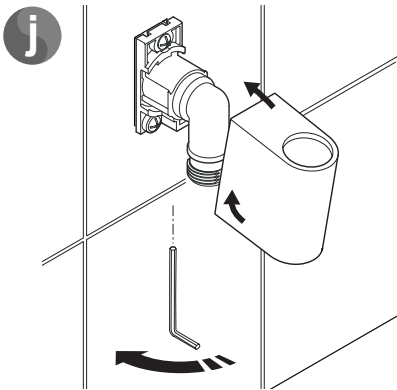
Drill the fixing holes, fit the wall plugs and secure the backplate to the wall with two fixing screws.



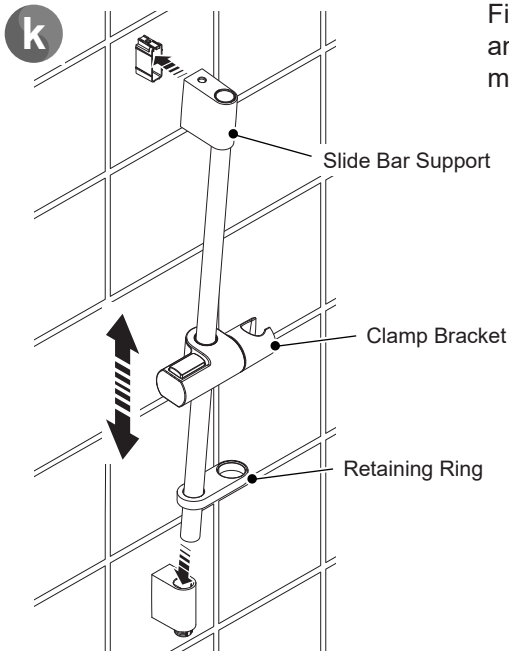


Drill the fixing hole for the top support and fit the wall plug and screw top support into position.

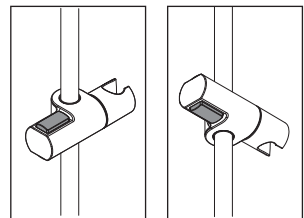
Note: DO NOT tighten screw fully as some slight adjustment may be required when fitting slide bar.



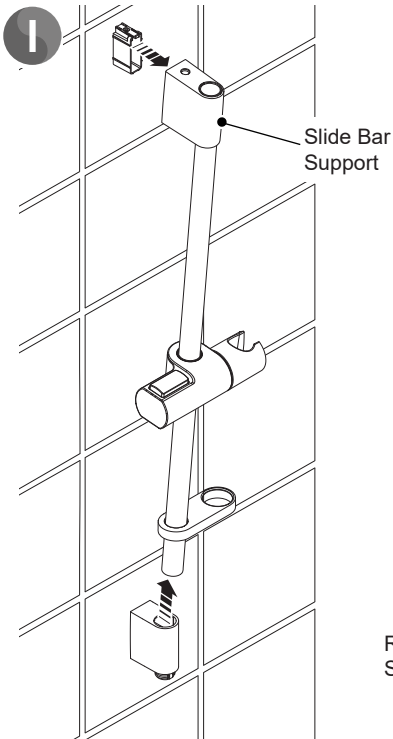
Fit the cover over the elbow and lock into place by turning the grub screw anticlockwise.



Fit all the components onto the slide bar and fit the slide bar assembly in position, making sure that it locates correctly.

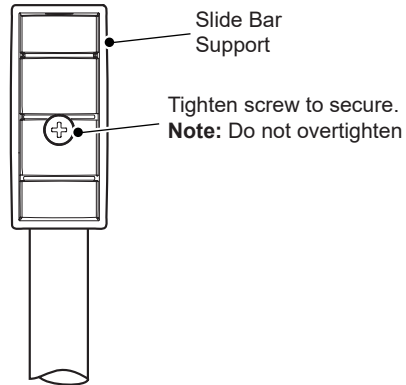


Important! Press the buttons on the clamp bracket to slide it through the slide bar.

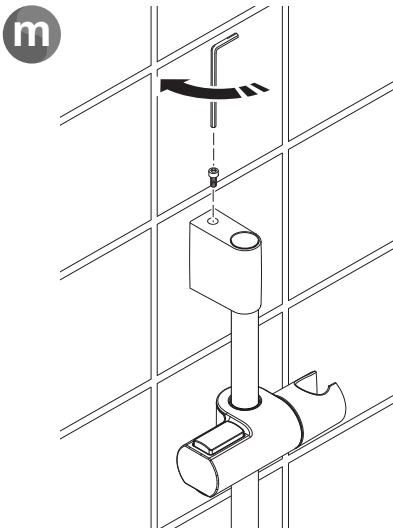


Carefully remove the slide bar assembly and tighten the screw on the back of the slide bar support to secure in position.

Refit the fit the slide bar assembly in position.

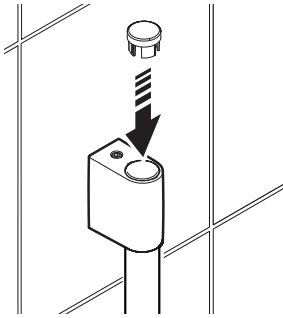


Rear View of Top Slide Bar Support



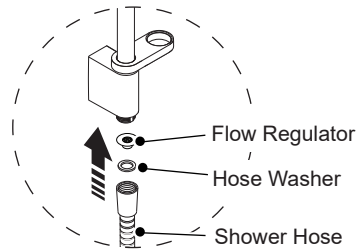
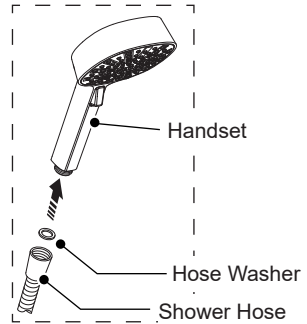
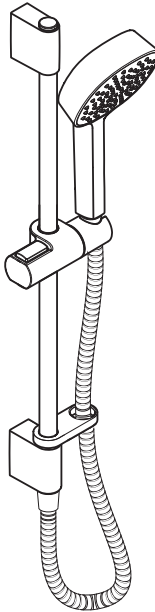
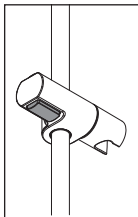
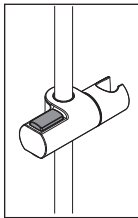
Secure the assembly in position with the screws. The top securing screw tightens **Clockwise**, the bottom one **Anti-clockwise**. **Do not overtighten!**

n



Fit the cap to the top of the slide bar.

o



Warning! Slide bar must not be used as a grab rail.

Fit one flow regulator per outlet!

We highly recommend the fitting of the flow regulator for optimum temperature control and showering experience.

For maintained (running) water pressure greater than 1 bar, installing a flow regulator can help to reduce:

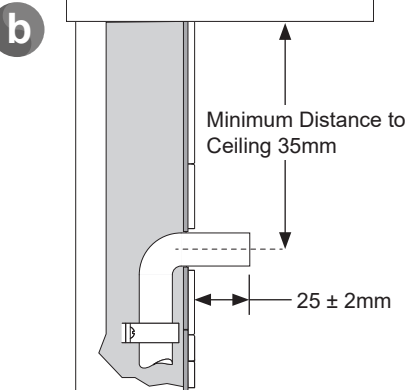
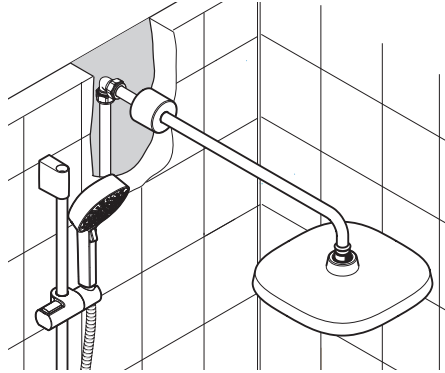
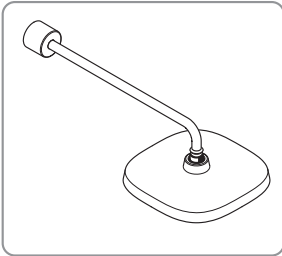
- Excessive shower force
- Noise due to high or unequal water pressure
- Unstable supply temperature
- Cooler outlet temperatures due to the colder seasons (particularly with combination boilers)

DO NOT fit a flow regulator if the maintained (running) water pressure is less than 1 bar or the shower force is too low.

30 Installation of Overhead

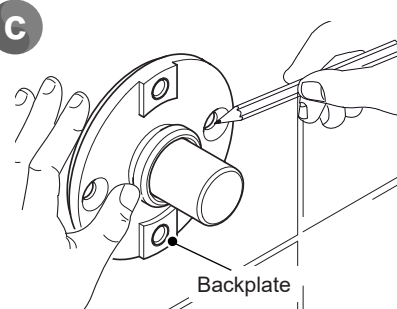
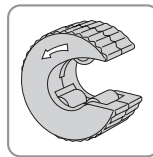
Note: If installing on a stud wall please see 'Alternative procedure using wallplate.'

- a** Fix at convenient height for all users. Position so that water sprays down the centre of the bath, or away from the opening of a shower cubicle. Make sure that the water sprays away from the interface and the showerhead.



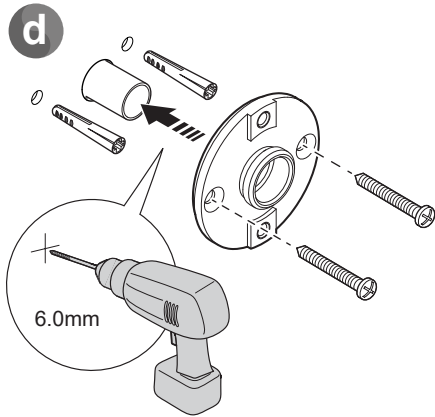
The outlet pipe must protrude 25mm (± 2 mm) from the finished wall surface.

Note: Cut the pipe to the correct length and remove any burrs.



Mark the positions of the backplate fixing holes.

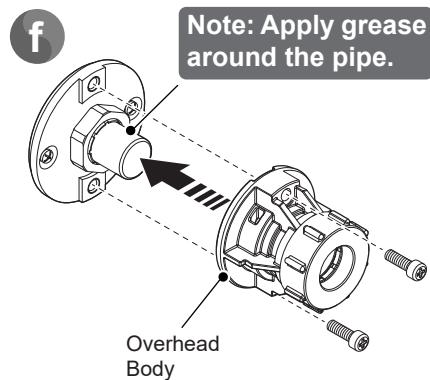
Caution! Be aware of hidden pipes or cables.



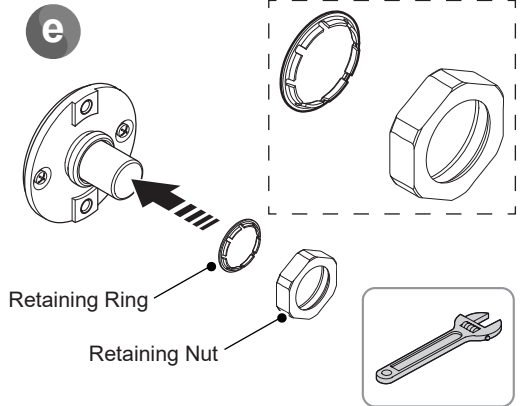
For solid walls drill the fixing holes for the backplate with a 6mm drill and insert the wall plugs (supplied). For other types of wall structure alternative fixings may be required (not supplied).

Carefully fit backplate over the outlet pipe and secure using the fixing screws.

Caution! Take care not to damage the foam Seal in the back of the backplate.

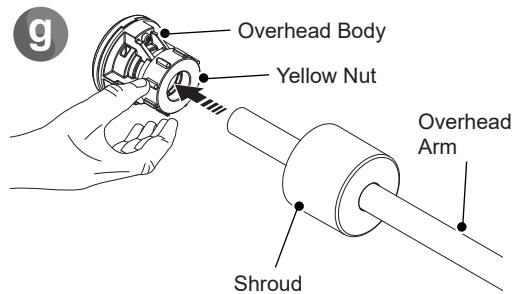


Fit the overhead body over the pipe and secure with the fixing screws provided.



Place the retaining ring and nut over the pipe in the orientation shown and tighten in place using suitable size wrench. **DO NOT** overtighten.

Important! The retaining ring and nut **MUST** be fitted to ensure the pipework is secure and that the product doesn't leak.

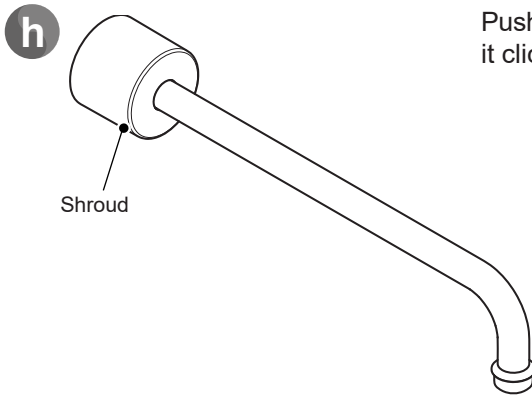


Ensure the yellow nut is loose but still engaged.

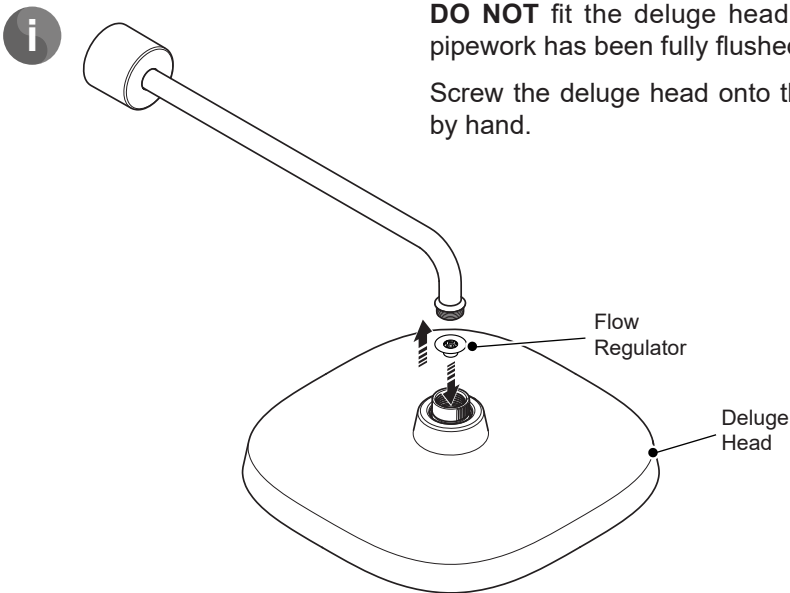
Place the shroud onto the overhead arm as shown and fit overhead arm into overhead body.

Note: Make sure that the pipe is pushed until it hits the internal stop feature.

Secure by tightening the yellow nut on the overhead body. Hand tighten only.



Push the shroud over the bracket body until it clicks into place.



DO NOT fit the deluge head until after the pipework has been fully flushed through.

Screw the deluge head onto the shower arm by hand.

Fit one flow regulator per outlet!

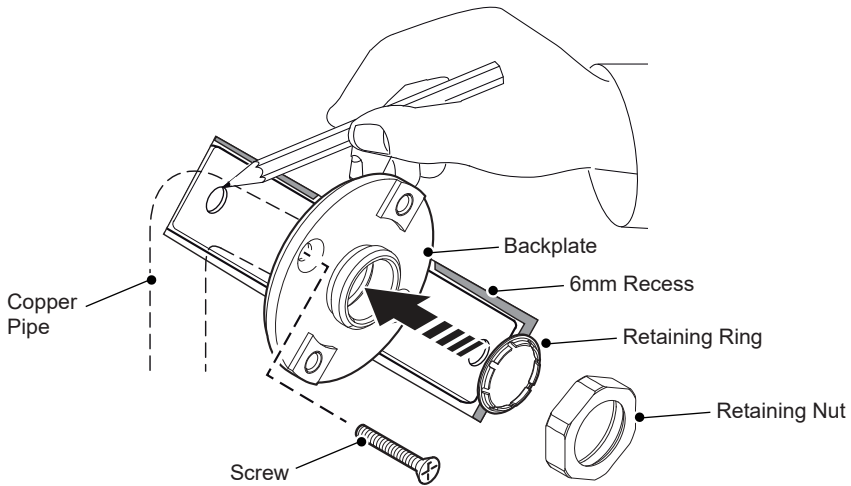
We highly recommend the fitting of the flow regulator for optimum temperature control and showering experience. Ensure the flow regulator is fitted in the orientation shown.

For maintained (running) water pressure greater than 1 bar, installing a flow regulator can help to reduce:

- Excessive shower force
- Noise due to high or unequal water pressure
- Unstable supply temperature
- Cooler outlet temperatures due to the colder seasons

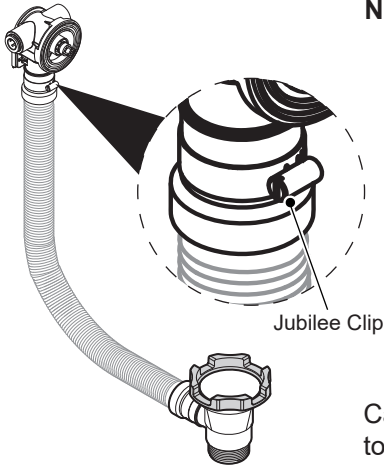
DO NOT fit a flow regulator if the maintained (running) water pressure is less than 1 bar or the shower force is too low.

Alternative Installation procedure using the wallplate



- a. Loosely screw the backplate to the wallplate with the two backplate screws provided.
- b. Place the wallplate and backplate assembly over the copper pipe.
- c. Mark the position of the wallplate and its fixing holes on the wall.
- d. Remove the screws and backplate from the wallplate.
- e. Drill the two backplate fixing holes, if necessary make a recess approximately 6mm deep to accept the wallplate. Plug the two fixing holes.
- f. Place the wallplate over the copper pipe and fix to the wall with the two wallplate screws.
- g. Temporarily fit the two backplate screws to the wallplate. This will prevent the holes from becoming blocked with plaster and grout.
- h. Finish the surface of the wall as required ensuring the pipework is protruding by $25\text{mm} \pm 2\text{mm}$.
- i. Remove the two backplate screws.
- j. Place the backplate against the finished wall surface and use the two backplate screws supplied to fix the backplate to the wallplate.
- k. Follow steps **(e)** - **(i)** from previous section to complete the shower arm installation.

31 Installation of Bath Filler

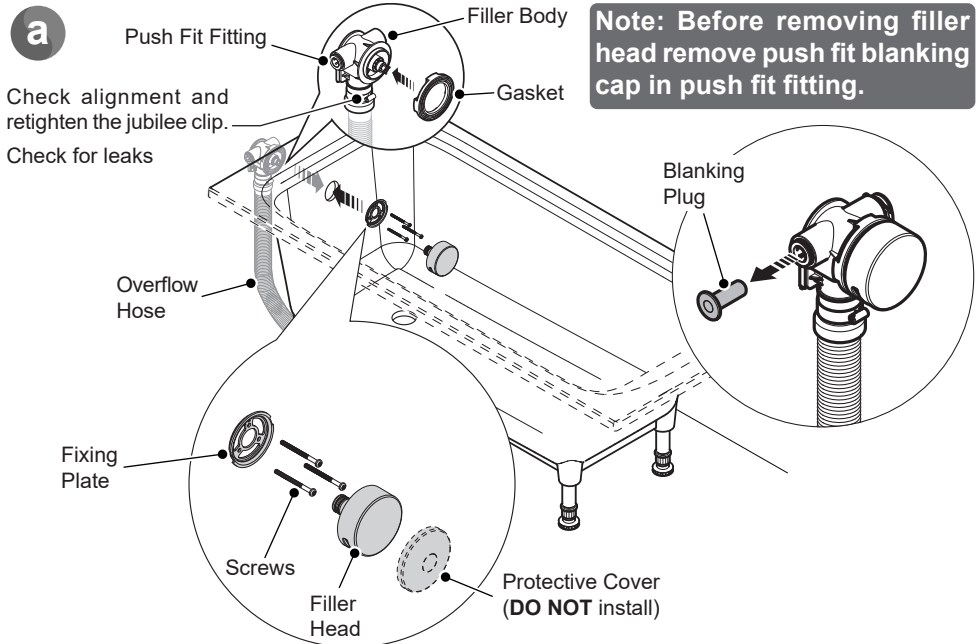


Note: When the bath filler waste is extended, there may be a need to rotate the bodies to allow alignment to the both mating surface.

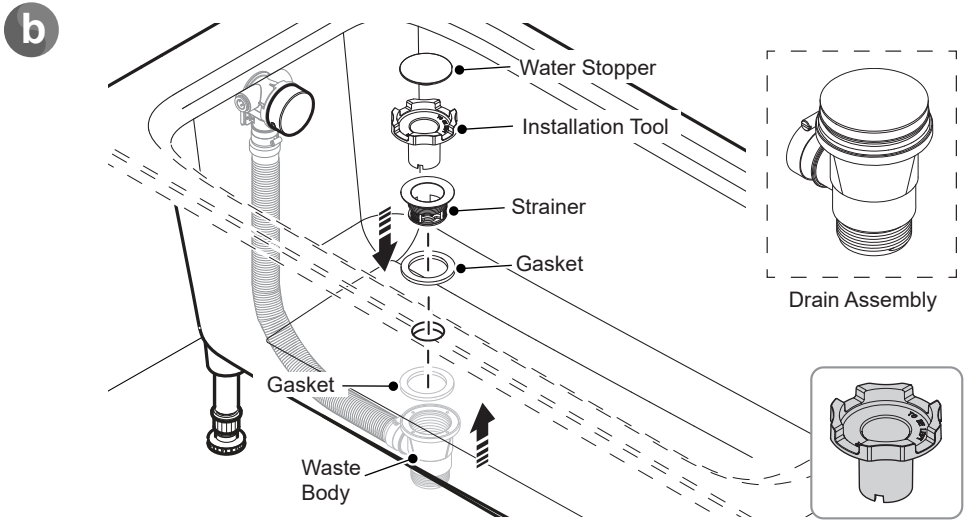
Refer below steps:

- Loosen the jubilee clip at the overflow end.
- Rotate the overflow body.

Carefully follow the below assembly drawings to install the overflow bath filler and waste.

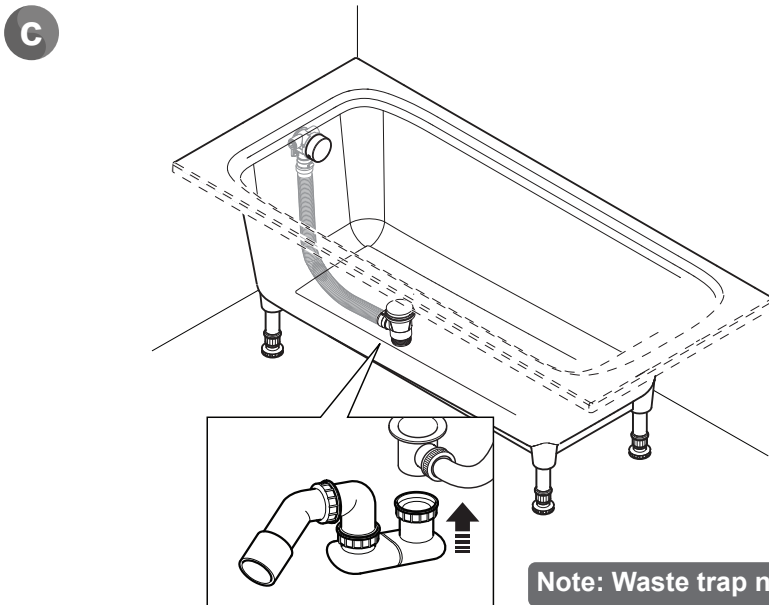


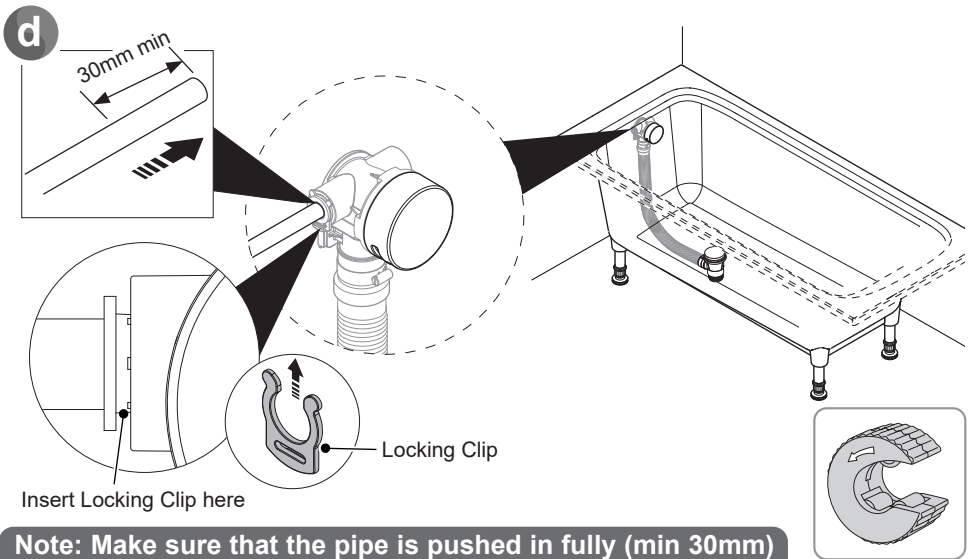
Note: Ensure the screws are not cross threaded and are tightened evenly. Hand tighten only. **DO NOT** use a power driver to tighten the screws. Important! When installing the Mixer Valve to be used as a bath filler ensure the flow rate of the bath overflow fitted exceeds the flow rate output from the Mixer Valve.



Note: An installation tool is supplied, this is stowed within the assembled waste body for packing purposes. Use this tool to screw the strainer into the waste body.

Turn anti-clockwise to remove the water stopper then remove the installation tool, then reassemble the water stopper to the waste body without the installation tool.

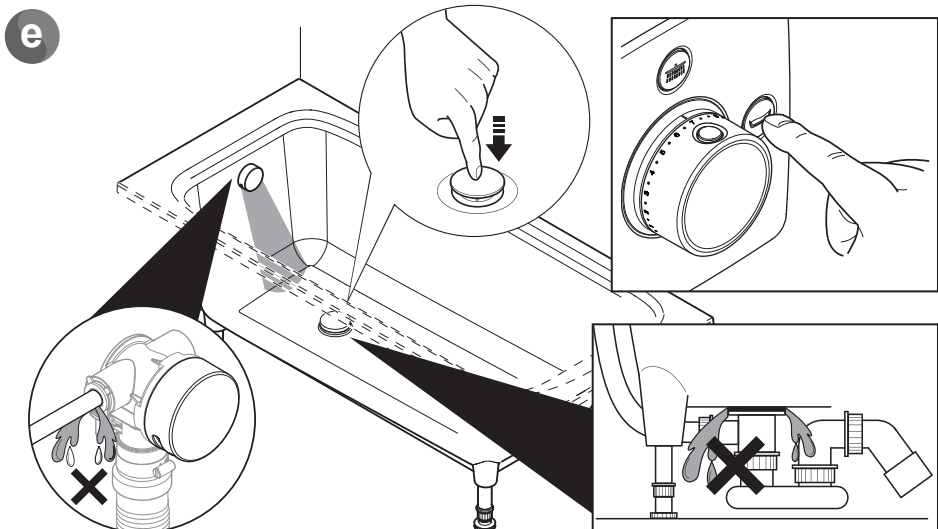




Note: Make sure that the pipe is pushed in fully (min 30mm) until it hits the internal stop feature.

Important! Cut the pipe using a pipe cutter only to ensure the seals are not damaged when the pipe is inserted. Remove all burrs.

Push fit the water supply pipe to the bath filler using copper pipework (15mm diameter). Insert the locking clips (supplied) to secure the pipe in place.



Turn on the water supply and check for leaks from the waste and the bath filler connections.

Commissioning

Before turning water back ON, ensure the product is in the OFF position. Turn product fully anticlockwise, then turn the water back ON.

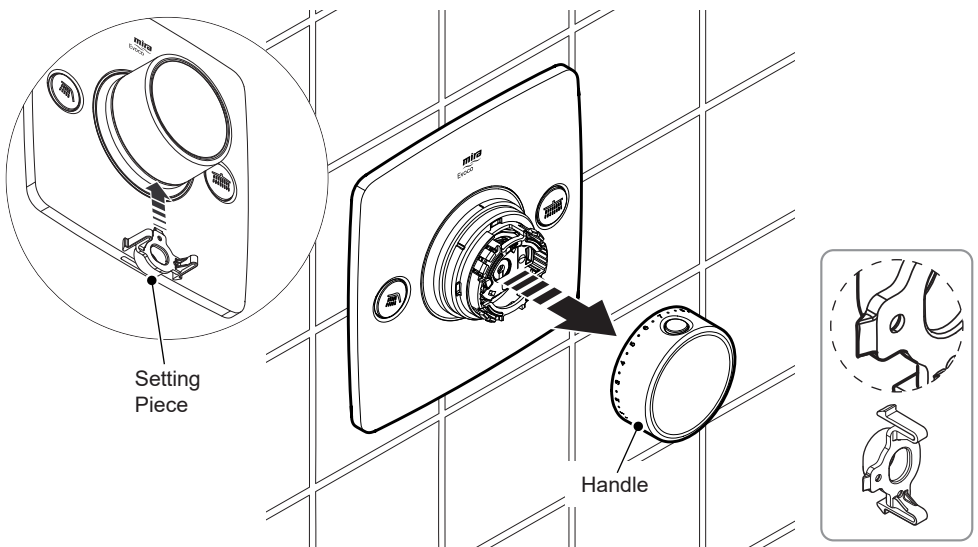
Maximum Temperature Setting

Before using the shower, the maximum temperature must be checked to make sure that it is at a safe level. It has been preset to a safe showering temperature under ideal conditions at the factory, appropriate for most systems. However, site conditions and personal preference may make it necessary to reset this temperature.

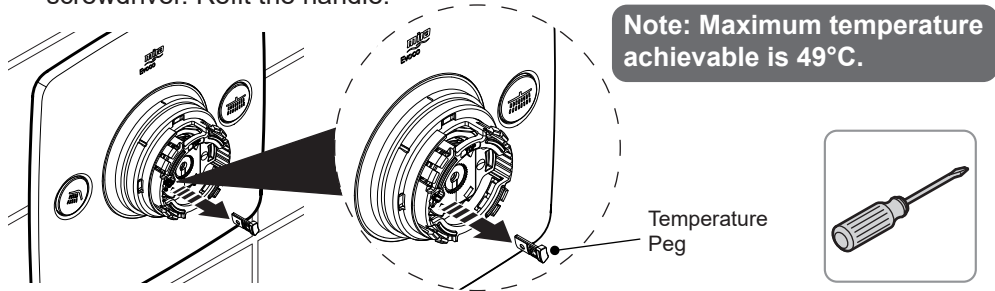
Note: Make sure that the hot water temperature is at least 55°C and that there is sufficient supply.

Caution! Before making any adjustments to the shower, operate the temp control from max hot to cold and make sure hot and cold water flows correctly from the shower outlet. After making any adjustments repeat this process.

1. Turn the temperature handle **anticlockwise** until it stops and test that the temperature of the water from the shower outlet is hot enough.
2. If not, depress the override button and **carefully** rotate the handle further. If the water temperature is still not hot enough complete the following procedure.
3. Rotate the temperature handle back to the override position.
4. Remove the handle by using the blade on the setting piece, place in between the bottom of the handle and the shroud and twist to unclip the handle.



5. Remove the maximum temperature peg from the top of the valve by using a screwdriver. Refit the handle.



Operation

User can individually choose the handshower, overhead or bath filler by pressing respective button on the product. If all buttons pressed, user can use handshower, overhead and bath simultaneously.

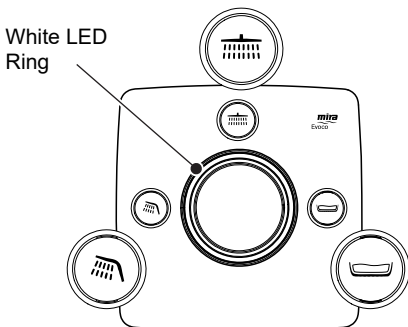
Important! Read the 'Safety Information' before using your shower.

Note: With some water systems there may be insufficient water flow to operate all outlet's together.

Note: When diverting from showerhead to overhead or bath filler a small amount of cold water may initially flow.

Important! DO NOT allow the overhead or handset spray water directly on to the mixing valve. The overhead and handset must be positioned so this does not occur

On/Off and Temperature Control

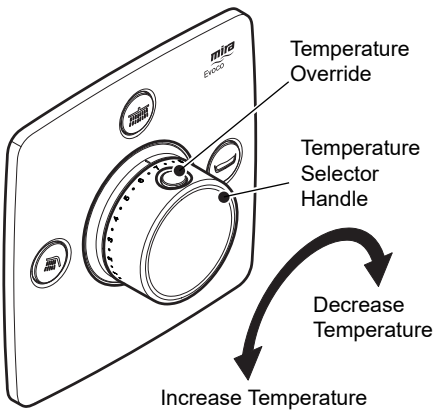


Start the shower by pressing one of the outlet buttons.

Only for Lit Variants, After pushing one of the outlet buttons, the LED ring will pulse. This is to highlight that the water is warming up, when the LED ring changes to a continuous light the shower is ready to use.

Warm up feature may not work if your hot inlet temp is below 55°C.

Note: The warm up feature is for indication only and is not intended as a precise measurement device.



The temperature is controlled by rotating the temperature handle.

Operate the shower and make sure it delivers cold water initially and then further rotate to increase temperature, for safety reasons, the temperature is limited by an override stop.

Press the override button on the temperature handle and continue to rotate the handle to obtain a higher temperature.

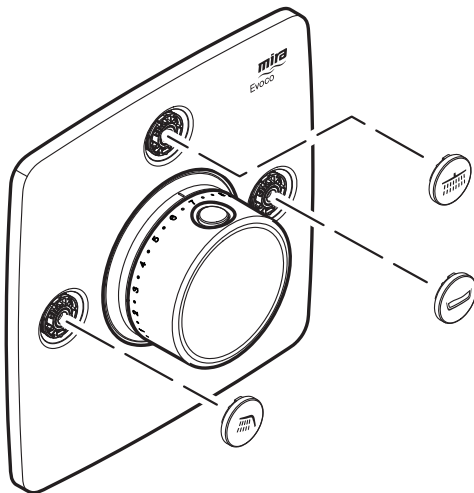
Pressing the selected outlet button again will turn the product off.

User Maintenance

Warning! Please observe the following to reduce the risk of injury or product damage:

- **DO NOT** allow children to clean or perform any user maintenance to the shower unit without supervision.
- If the shower is not to be used for a long period, the water supply to the shower unit should be isolated. If the shower unit or pipework is at risk of freezing during this period, a qualified, competent person should drain them of water.

Button Replacement

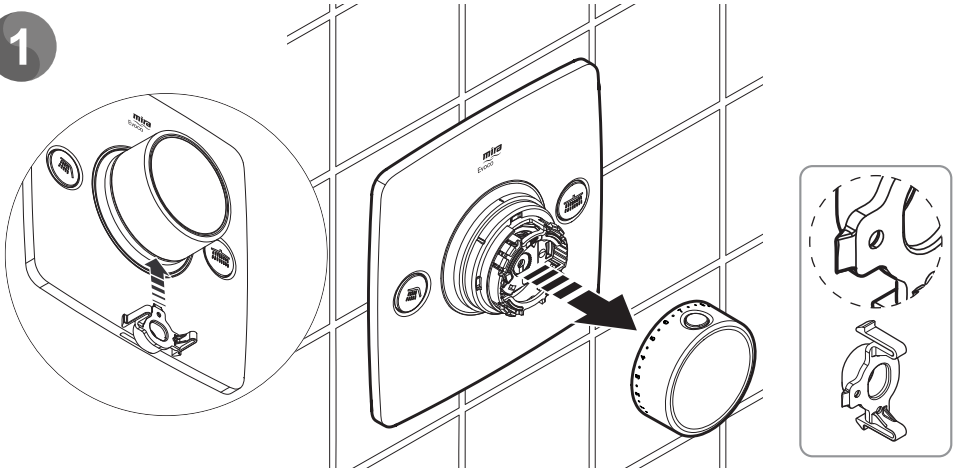


The button graphics come in set positions, if this is not suitable for your installation, use the button cap removal tool to remove the cap and swap the caps over.



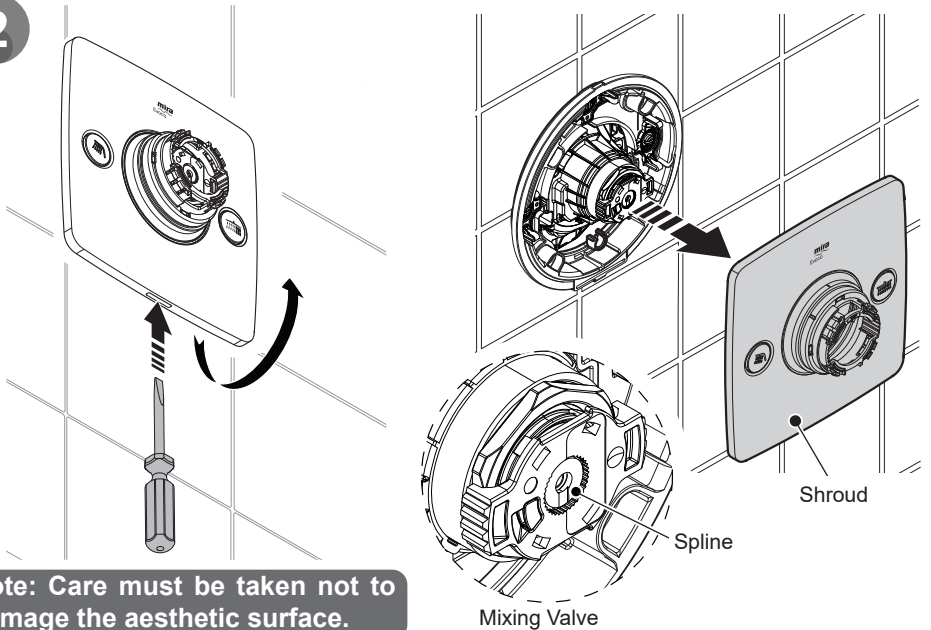
Filter Cleaning

1



Remove the handle by using the blade on the setting piece, place in between the bottom of the handle and shroud and twist to unclip the handle.

2

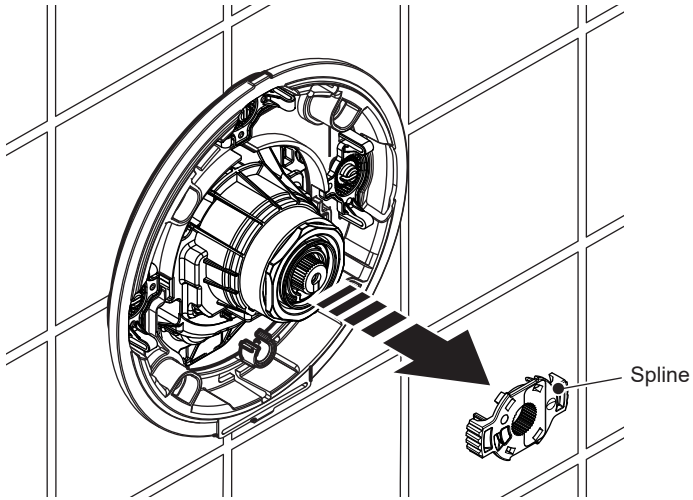


Note: Care must be taken not to damage the aesthetic surface.

Note: Make sure that the spline is oriented in line as shown above.

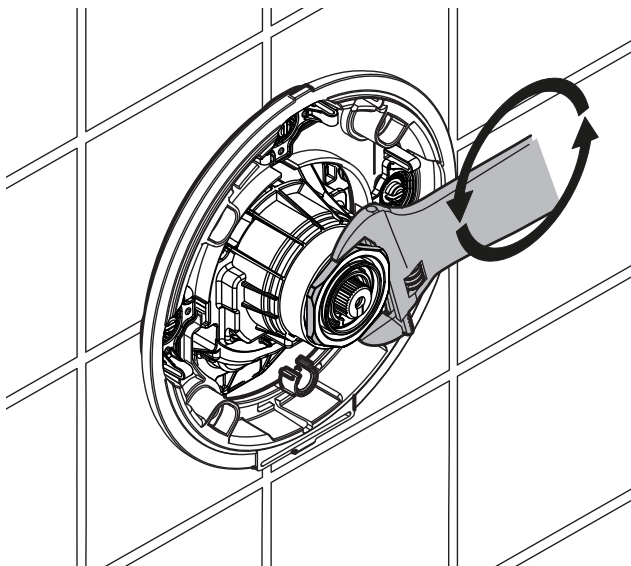
Insert a flat screwdriver into slot available at bottom of the shower unit and push the spring clip. Carefully lift the shroud and remove from the shower unit.

3



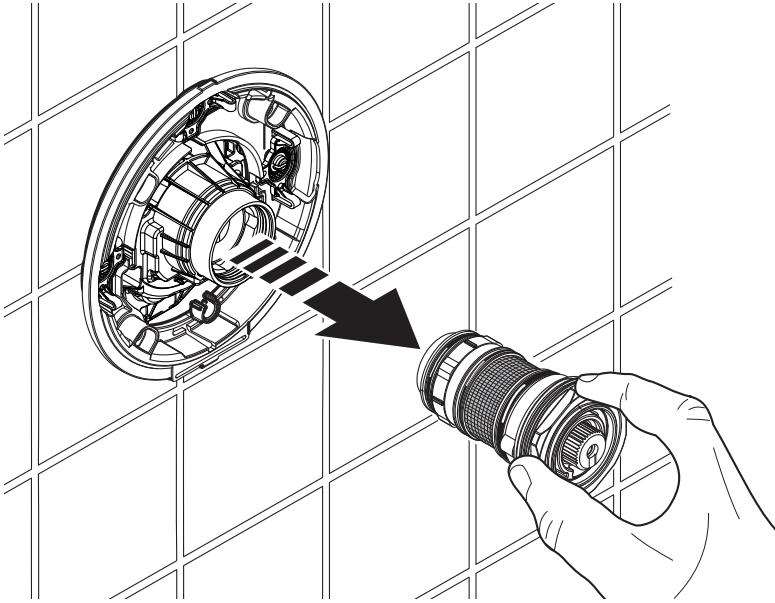
Carefully pull out the spline along with the lug from mixing valve.

4



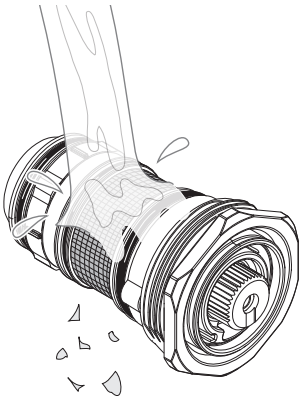
Carefully loosen the hexagonal head nut as shown.

5



Carefully pull out the cartridge from the mixing valve.

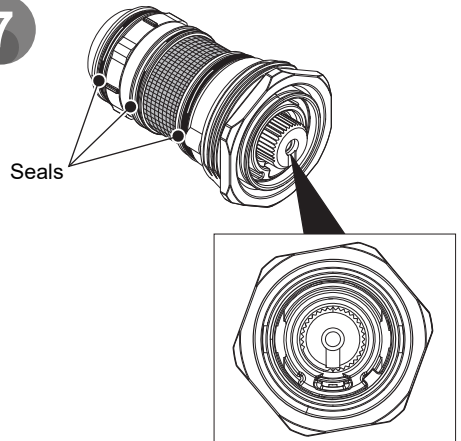
6



Rinse the filter in clean warm water, removing any dirt or debris.

Replace if the filter mesh is damaged.

7



Front View

Reassemble the valve in reverse order.

Restore the water supplies and check for leaks.

Note: Make sure that the seals are positioned in place and the cartridge locates correctly.

Cleaning

Always read the IMPORTANT SAFETY INFORMATION for your shower.

Cleaning the showerhead

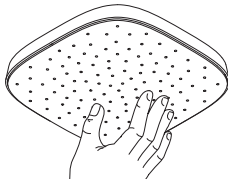
Many household and commercial cleaners, including hand and surface cleaning wipes contain abrasive and chemical substances that can damage plastics, plating and printing and should not be used. These finishes should be cleaned with a mild washing up detergent or soap solution, and then wiped dry using a soft cloth.

De-scaling the Showerhead and inspecting the hose

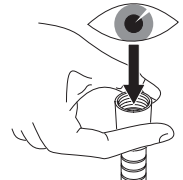
It is **IMPORTANT** to keep the Showerhead and Hose clean and free from blockage to make sure your shower performs to its optimum. The showerhead **MUST** be regularly cleaned and the hose **MUST** be regularly inspected to ensure there is no internal collapse or blockage that could reduce the flow.



Use your thumb or a soft cloth to wipe any limescale from the soft nozzles.



Unscrew the hose from the showerhead and the shower outlet.



Inspect the hose.

Warning! Failure to keep the showerhead nozzles clear or inspect the hose for blockage or internal/external collapse can restrict the flow rate from the shower. This may cause damage to the shower or result in the temperature delivered to the user rising to unsafe levels with a risk of scalding. You **MUST ALWAYS** check the temperature before using the shower.

Fault Diagnosis

If you require a Mira trained service engineer or agent, refer to **'Customer Service'**.

Symptom	Cause/Rectification
Water too hot or too cold	<p>Inlets reversed (hot supply to cold supply). Rework inlet pipework.</p> <p>Check filters for any blockage.</p> <p>Check the maximum temperature setting (If you have a combination type boiler it may not be producing sufficient hot water at the desired flow rate). Fit a flow regulator to the shower valve outlet.</p> <p>Installation conditions outside operating parameters. Refer to Specifications and Commissioning.</p>
Poor temperature control	<p>Make sure that the inlet temperature differentials are sufficient, refer to 'Specifications'.</p> <p>If fitted to a combi boiler ensure there is sufficient pressure and flow to deliver a constant hot water inlet supply.</p> <p>Check the shower handset, hose and inlet filters for any blockage and clean where necessary.</p>
Fluctuating or reduced flow	<p>Check the shower handset, hose and filters for any blockage.</p> <p>Make sure that the maintained inlet pressures are nominally balanced and sufficient. Refer to Specifications.</p> <p>Air lock or partial blockage in the pipework.</p> <p>Check the button setting height.</p>
Water leaking from the shower handset/overhead	<p>Normal for a short period after shut off.</p> <p>Check that the pressures are not in excess of the specifications for this product.</p> <p>There may be occasions where the overhead shower or shower handset empties for a while after the shower has been used, this is due to changes in ambient temperatures and is normal. It is recommended that all outlets are therefore enclosed within the water catchment area.</p> <p>Check the button setting height.</p>
LED light ring not coming on	<p>Check Inlet hot supply is above 55°C.</p> <p>Check that the grommet is secured in position in the fixing plate.</p>
Button caps operate incorrect outlet	Refer to button replacement.

What to do if something goes wrong

If your product does not work correctly check that it is installed and commissioned in accordance with our instructions. If this does not resolve the issue, contact us for help and advice. Refer to Customer Service page for more details.

Spare Parts

A list of spares for these products are available from the Mira Website, visit website www.mirashowers.com.

Disposal and Recycling

When this appliance has reached the end of its serviceable life it should be disposed of in a safe manner, in accordance with current local authority recycling or waste disposal policy. For more information about recycling, please contact your local council office.

Decommissioning and Recycling for WEEE



Electrical and electronic devices contain a range of materials that can be separated for recycling and used in new products. This product should not be disposed of with your general household waste. When this product has reached the end of its serviceable life please take it to a recognised WEEE (Waste Electrical and Electronic Equipment) collection facility such as your local civic amenity site for recycling. Your local authority or retailer will be able to advise you of your nearest recycling facility.

Activate your Free* Guarantee

Thank you for choosing Mira. By registering your product, this will act as your proof of purchase and enable us to provide the best possible after sales service.

REGISTER NOW visit the Mira website guarantee page

www.mirashowers.co.uk/support/guarantee.htm

(You will need the Model Name, Product Code and Date of Manufacture. This information can be found on the front page of this guide)

* If you do not activate your guarantee proof of purchase will be required.

Mira has appointed Domestic & General Insurance PLC to provide product registration services and protection plans to accompany its products.

What we do with your information

At Domestic & General we want to reassure you that we use your information both responsibly and securely to provide you with the best possible service. Below we explain what we do with your information and your rights to your information. If you would like any further details you can get in touch with us using the contact details below or visit our website (www.domesticandgeneral.com).

Using your information

Domestic & General Insurance PLC ("we") is the "data controller" of your information. We process two sets of information about you, "Personal Information" (your name, address, contact and payment details) and the "Goods Information" you provide to register your appliance or device (your name, address, contact and goods details). We'll use your information:

(i) As necessary to fulfil our contract with you (including to recover any amounts owing); (ii) for our legitimate interests in: undertaking marketing (about our products and services and those of our third party partners) by post, telephone, email and/or other electronic messaging services; market research; customer surveys; printing services; checking and verifying your identity and contact details; recording your conversations for training, quality and compliance purposes; and for analytics and profiling for marketing purposes; and (iii) where required to do so by law. We may also ask for your consent to some uses of your information.

Sharing your information

From time to time your Personal Information and Goods Information may also be shared with other members of the Domestic & General Group of Companies (Domestic & General Insurance or Services and other future members of the Group whose details we will notify to you ("Group")), where applicable with Kohler Mira Limited which is the subject of your protection policy and with companies acting on our behalf or providing services to us (e.g. the companies we use to carry out repairs, IT & mailing services, storage of paper records and telecommunications). Kohler Mira Limited will process your Personal Information for their legitimate business interests (including marketing and analytics) in accordance with their privacy policy.

Transferring your information

In exceptional cases, we may transfer your information to countries outside the European Economic Area (including the US) which may not have data protection laws which provide the same level of protection as provided in the UK. We have put in place Model Clauses as an appropriate safeguard to ensure that such information is adequately secured and protected and that such transfers meet the requirements of applicable data protection law.

Keeping your information

We keep your Personal Information for six years after you terminate your policy so that we can deal with any claims. Your goods information we keep for a bit longer, normally 10 years (the average life of an appliance) for health and safety. We also keep your information to send you marketing that you might be interested in, unless we receive a request from you to opt-out of marketing.

Rights to your information

By writing to the Data Protection Officer using the contact details provided below, you have the right to ask us:

- For a copy of the Personal Information we hold about you
- For a copy of the Personal Information you provided to us to be sent to you or a third party in a commonly used, machine readable format
- To update or correct your Personal Information to keep it accurate
- To delete your Personal Information from our records if it is no longer needed for the original purpose; and
- To restrict the processing of your Personal Information in certain circumstances

And you may also:

- Object to us processing your Personal Information, in which case we will either agree to stop processing or explain why we're unable to, and
- Where we rely on your consent, withdraw that consent at any time

Please note that the above rights are not absolute and certain exemptions apply to them. You can also make a complaint to the Information Commissioner (www.ico.org.uk) if you feel your Personal Information has been mishandled.

Marketing

We, along with other members of our Group and Kohler Mira Limited may use your information to tell you about any offers, products or services which may be of interest to you. We may contact you by post, telephone, email and/or other electronic messaging services.

To change your marketing preference, let us know by emailing marketingpreferences@domesticandgeneral.com or by writing to us using the contact details provided below. For Kohler Mira Limited marketing you'll need to contact them directly using their contact details that you'll normally find in their privacy notice.

Contact Details

If you need to contact us about your information or your information rights, or to see a copy of our Model Clauses, please write to Freepost Plus RTKS-CLRA-GRYE, Data Protection Officer, Domestic & General, Leicester House, 17 Leicester Street, Bedworth CV12 8JP or dataprotection@domesticandgeneral.com and we'll be happy to help you.

Customer Service

Guarantee

Your product has the benefit of our manufacturer's guarantee which starts from the date of purchase. This guarantee only applies in the United Kingdom and Republic of Ireland.

Activating Your Guarantee

Registering your guarantee is quick and simple. To ensure your product is covered, please register online.



Scan the QR code to activate your guarantee now or call 0800 5978551 within 30 days of purchase (UK only).

What is Covered:

- The guarantee applies solely to the original installation under normal use.
- The product must be installed and maintained in accordance with the instructions given in this guide.
- Servicing must only be undertaken by us or our appointed representative.
- Repair under this guarantee does not extend the original expiry date. The guarantee on any replacement parts or product ends at the original expiry date.
- For shower fittings or consumable items we reserve the right to supply replacement parts only.

The guarantee does not cover:

- Call out charges for non product faults (such as damage or performance issues arising from incorrect installation, improper use, inappropriate cleaning, lack of maintenance, build up of limescale, frost damage, chemical attack, corrosion, system debris or blocked filters) or where no fault has been found with the product.
- Water or electrical supply, waste and isolation issues.
- Routine maintenance or replacement parts to comply with the requirements of Building / Plumbing / Electrical Standards or Schemes.
- Compensation for loss of use of the product or consequential or indirect loss of any kind.
- Damage or defects caused if the product is repaired or modified by persons not authorised by us or our appointed representative.
- Accidental or wilful damage.
- Products purchased ex-showroom display.
- Disinfection or descaling to reduce bacterial growth or contamination.

What to do if something goes wrong

If your product is not working correctly please refer to this manual for fault diagnosis and to check that it is installed and commissioned in accordance with our instructions. If this does not resolve the issue, our Customer Services team are here to help get you back up and running. To help us solve your problem quickly, please have your product name, power rating (if applicable) and date of purchase to hand.

Visit www.mirashowers.co.uk

Visit our website to register your guarantee, book a service visit, diagnose faults and purchase products.

Spares and Accessories

We stock a full range of spare parts and fittings and are all available to purchase either online or over the phone. Our online spare parts selector tool will help you quickly and easily identify the spare part for your product.

Visit www.mirashowers.co.uk/parts-accessories

Replacements and Repairs

In the unlikely event that your product needs a repair, our nationwide repairs and installation team are here to help. You can book a convenient date and time online.



Scan the QR code to book a service visit now or visit www.mirashowers.co.uk/support/repair-services/repair-service

We also offer a comprehensive replacement service for when your product needs a little refresh, visit our website or contact our team for more information on our replacement services.

Help us improve

Your experience is important to us and your review (whether good, bad or otherwise) will be posted on Trustpilot.com immediately to help other people make more informed decisions.

Visit uk.trustpilot.com/review/www.mirashowers.co.uk

Need to get in touch?

UK

T: 0800 001 4040
E: askus@mirashowers.com
www.mirashowers.co.uk

Eire

T: 01 531 9337
E: customerserviceire@mirashowers.com
www.mirashowers.ie

Mira is a registered trade mark of Kohler Mira Limited.

The company reserves the right to alter product specifications without notice.

Registered Office:
Cromwell Road,
Cheltenham,
Gloucestershire
GL52 5EP

EU Importer address
K/E S.A.S.
3 rue de Brennus,
93631, La Plaine Saint-Denis,
France



mira
SHOWERS