

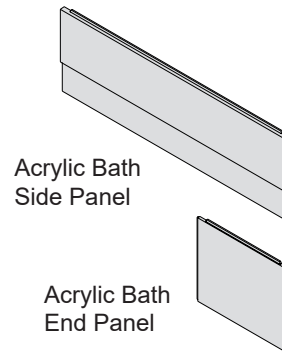
## General Information

Mira products are precision-engineered and should give continued superior and safe performance, provided:

1. They are installed, commissioned, operated and maintained in accordance with the recommendations given in this manual.
2. Periodic attention is given, as necessary, to maintain the product in good functional order. Recommended guidelines are given in the **User Maintenance** section.

Carefully inspect the new panel for any signs of damage. When installing Mira products, manufacturers guidelines for power tool safety should be followed.

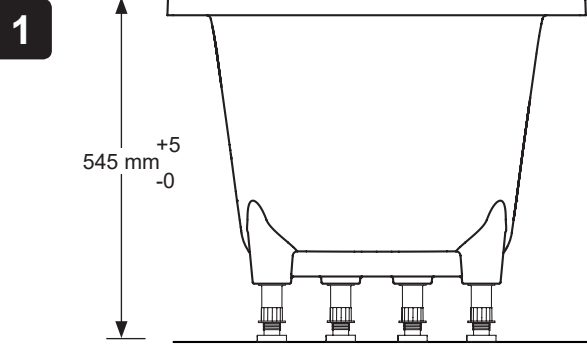
**mira**  
SHOWERS



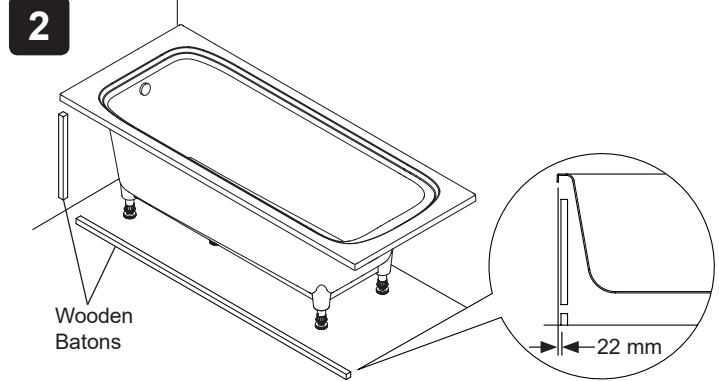
## Installation

### A Install the Bath Side Panel

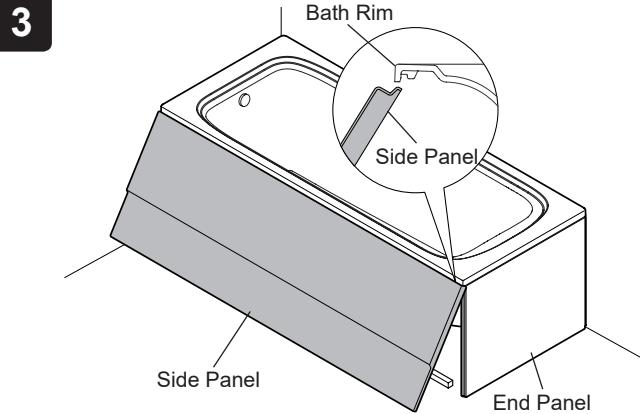
**Note:** If fitting together with an End Panel, please refer to Section B first



Make sure that the height of the bath has been set to the dimensions on the above diagram.

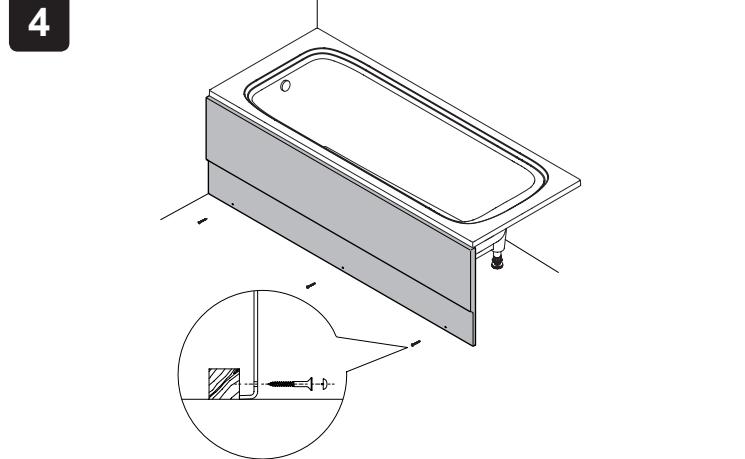


If necessary, for additional support, screw soft wooden batons to the floor and adjoining wall.



Slide the side panel under the rim of the bath.

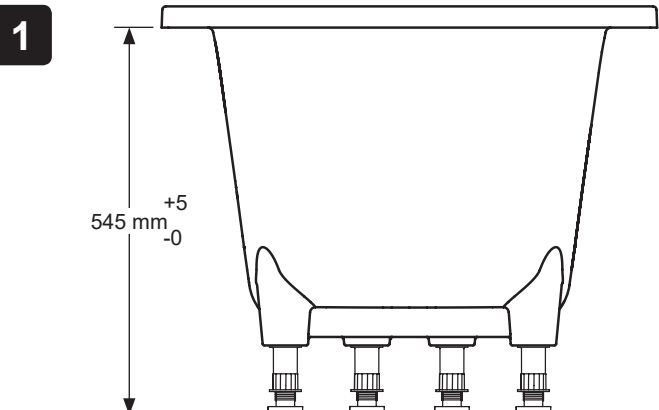
**Note:** If fitting an end panel, make sure that it fits inside the bath side panel.



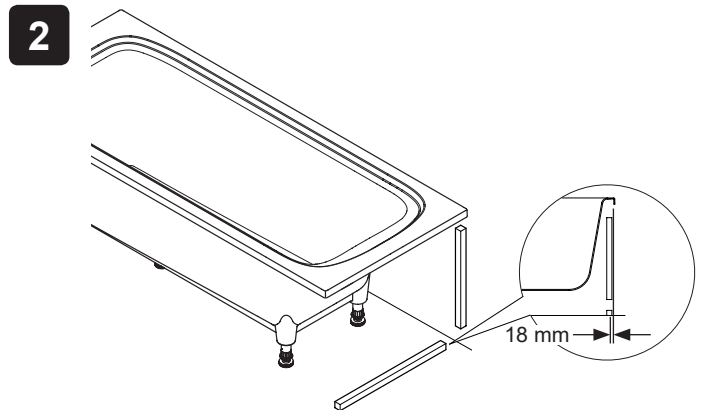
Secure the side panel to the floor baton through pre-drilled holes (to be determined by the installer) using the mirror screws (supplied).

### B Install the Bath End Panel

**Note:** The bath end panel should be installed before the side panel.

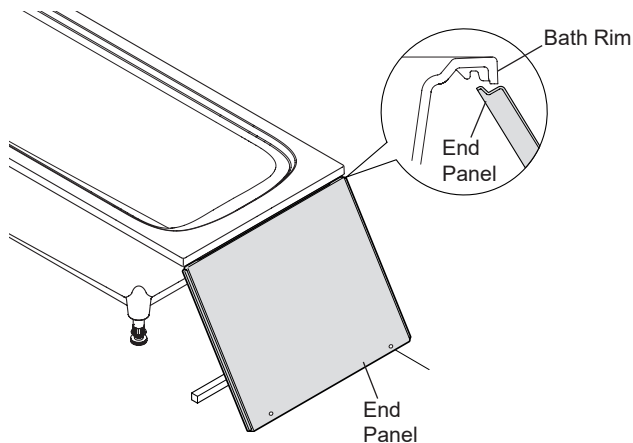


Make sure that the height of the bath has been set to the dimensions on the above diagram.



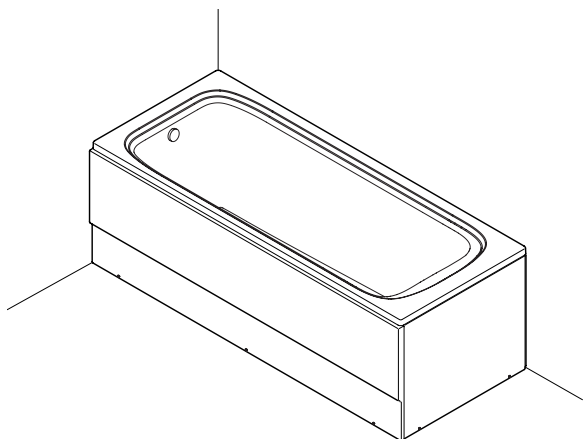
If necessary, for additional support, screw soft wooden batons to the floor and adjoining wall.

3



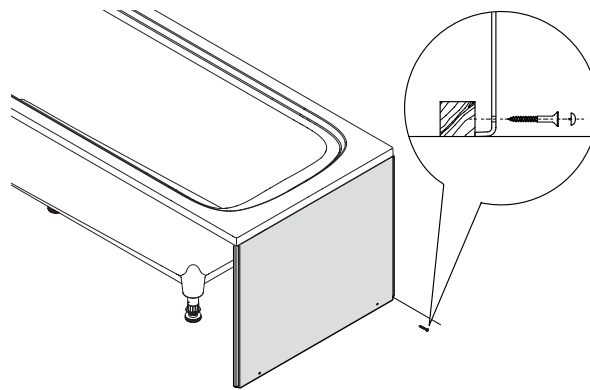
Slide the end panel under the rim of the bath.

5



This completes the installation of bath side panel and bath end panel.

4



Secure the end panel to the floor baton through pre-drilled holes (to be determined by the installer) using the mirror screws (supplied).

## User Maintenance

### Cleaning

The bath panel and end panel should be cleaned using a mild washing up detergent or soap solution, rinsed and then wiped dry with a soft cloth.

**Warning!** Many household cleaners contain abrasive and chemical substances, and should not be used for cleaning plated or plastic fittings.

The acrylic surface of this bath panel has good resistance properties to acids but should not come into contact with alkalis or organic solvents, such as caustic soda, dry cleaning agents and paint strippers.

## Customer Service

### Guarantee

Your product has the benefit of our manufacture's 1 year guarantee which starts from date of purchase. To activate this guarantee, please visit our website within 30 days of purchase (UK only).

Within the guarantee period we will resolve defects in materials or workmanship by either repairing the product, providing new goods and parts to you in replacement or refunding (up to but not in excess of) the original purchase price, as we may choose.

**This guarantee is in addition to your statutory rights and is subject to the following conditions:**

- The guarantee applies solely to the original installation under normal use and to the original purchaser only. The product must be installed and maintained in accordance with the instructions given in this user guide. The product must be inspected and issues reported before installation.
- Servicing must only be undertaken by us or our appointed representative. **Note:** If a service visit is required the product must be fully installed and connected to services.
- Repair under this guarantee does not extend the original expiry date. The guarantee on any replacement parts or product ends at the original expiry date.
- For trims, handles or consumable items we reserve the right to supply replacement parts only.

### The guarantee does not cover:

- Call out charges for damage or defects caused by incorrect installation, frost damage, mildew, limescale, corrosion, lack of maintenance, improper use, inappropriate cleaning (please refer to our Care and Maintenance Instructions) or where no fault has been found with the product.
- Accidental or wilful damage.
- Compensation for loss of use of the product or consequential loss of any kind.
- Damage or defects caused if the product is repaired or modified by persons not authorised by us or our appointed representative.
- Wear and Tear.
- Products purchased ex-showroom display. **Note:** Integrated shower systems are subject to a separate guarantee.

### What to do if something goes wrong

If your product does not function correctly when you first use it, contact your installer to check that it is installed in accordance with the instructions in this manual.

If this does not resolve the issue, contact our Customer Services Team who will offer you or your installer help and advice.



**Helpdesk Service** - Our Customer Services Team is comprehensively trained and can offer help and advice, spare parts, accessories or a service visit. You will need to have your model name, model number and date of purchase.



### Mira Showers Website ([www.mirashowers.co.uk](http://www.mirashowers.co.uk))

From our website you can register your guarantee, download additional user guides, diagnose faults, purchase our full range of accessories and popular spares, refer to our FAQ's and request a service visit.



**Spares and Accessories** - We hold the largest stocks of genuine Mira spares and accessories. Contact us for a price or visit our website to purchase items from our accessory range and popular spares.



**Service/Repairs** - No one knows our products better than our nationwide team of Service Technicians. We can carry out service or repair work to your product both during and after the guarantee period. Ask about our fixed price service repairs.

### To Contact Us: UK



**0800 001 4040**



**Fax: 01242 282595**



Email – Visit  
[www.mirashowers.co.uk/contactus](http://www.mirashowers.co.uk/contactus)



By Post: **Mira Customer Services Dept, Cromwell Road, Cheltenham, Gloucestershire GL52 5EP**

Mira is a registered trade mark of Kohler Mira Limited.

The company reserves the right to alter product specifications without notice.



**mira**  
SHOWERS