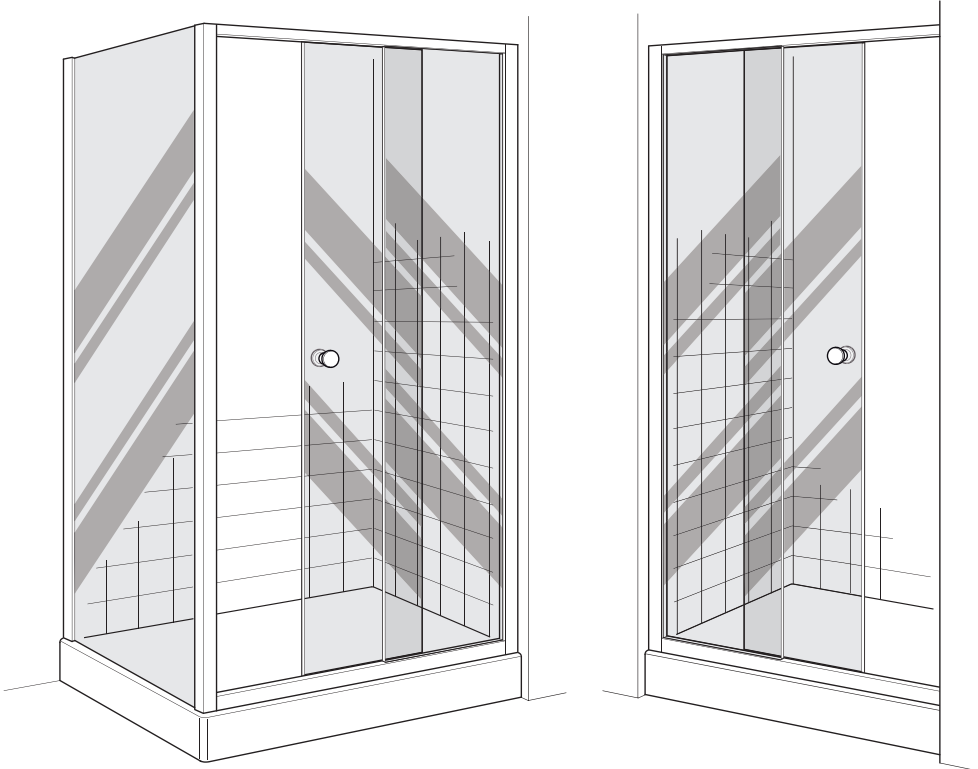


Mira Elevate Sliding Door

Mira Elevate Sliding Door and Side Panel



These instructions must be left with the user

Installation Guide

Showering perfection

mira
SHOWERS

INTRODUCTION

Thank you for purchasing a quality Kohler product. To enjoy the full potential of your new product, please take time to read this guide thoroughly, having done so, keep it handy for future reference.

The following pages aim to provide comprehensive installation instructions, plus advice on how to care and maintain your product.

We recommend that the unit is installed by a qualified plumber or engineer.

GENERAL INFORMATION

General

1. Read all of these instructions and retain this guide for later use.
2. Pass on this guide in the event of change of ownership of the installation site.
3. Follow all warnings, cautions and instructions contained in this guide.
4. Remove all protective tape from the enclosure before installation.
5. Excessive flow rates may lead to overflowing and leaking.
6. Water Spray may extend beyond the entrance of walk-in enclosures and we recommend tiling of the adjacent area.
7. We recommend a drainage test is carried out to ensure the waste is adequate for the flow delivered
8. Doors that open outwards may drip water onto floor, ensure the floor covering will not be affected by water.
9. Walk ins and divider panels are designed to minimise water escaping outside the enclosure but by their very nature are not fully water tight.

Safety Information

1. Care should be taken when drilling into walls and floors to avoid any hidden pipes or wires.
2. We strongly recommend that all glass panels are moved by a minimum of two people and that any protective packaging along the glass edges is kept in place for as long as possible to prevent damage before installation.
3. During installation we recommend additional help in lifting heavy doors and side panels.
4. Wear protective footwear when lifting panels.
5. Wear safety glasses when drilling.

Before Fitting the Enclosure

1. Ensure the tray is level and walls are vertical and square.
2. Shower fittings should be positioned such that water discharges down the centre line of a bath or across the opening of a shower cubicle door.
3. Ensure water is not directed at the shower door or side panels. This could result in water spraying outside of the enclosure.
4. Ensure the door opening is positioned correctly and is adequate for all users.
5. Ensure there is a complete silicone seal between the tray and finished wall.
6. Ensure the door is undamaged and no parts are missing.

7. Ensure the size of door/panel is suitable for the installation. Tempered safety glass cannot be cut.
8. Ensure nothing can impact the door or glass panels during operation.

When Fitting the Enclosure

1. The wall channels must be installed onto a tiled or waterproof finished flat and even wall surface. Failure to do so will result in an unsatisfactory seal, which may cause property damage.
2. We recommend our enclosures are fitted onto shower trays.
Warning! The use of grout/tile cleaners, scale removers, abrasive scourers, drain unblockers and other powerful detergents may lead to damage of metallic, plated and plastic surfaces, including the tray and shower waste.

Use of the Enclosure

1. High water pressure and flow may lead to excessive splashing causing water to escape outside of the enclosure.
2. In certain circumstances such as cleaning, water sprayed directly at the seals may escape outside of the enclosure.

GUARANTEE

For domestic installations, Mira Showers guarantee this shower enclosure against any defect in materials or workmanship for a period of **ten** years from the date of purchase.

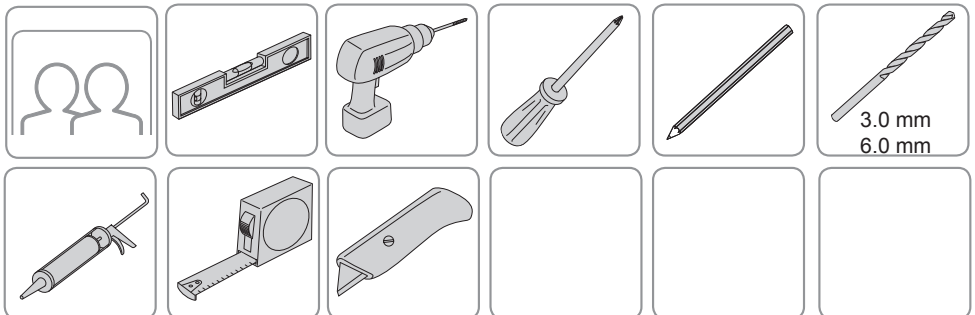
For non-domestic installations, Mira Showers guarantee this shower enclosure against any defect in materials or workmanship for a period of **one** year from the date of purchase.

For terms and conditions refer to the back cover of this guide.

RECOMMENDED USAGE

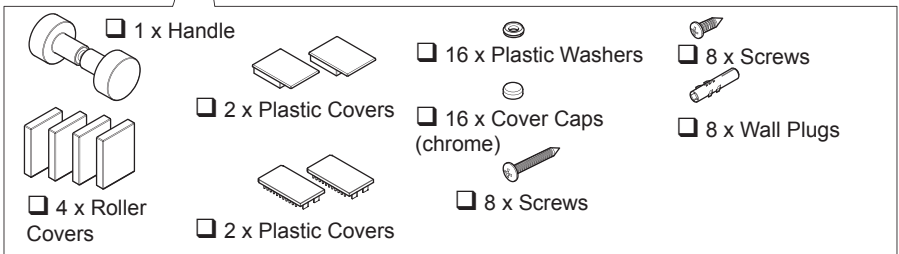
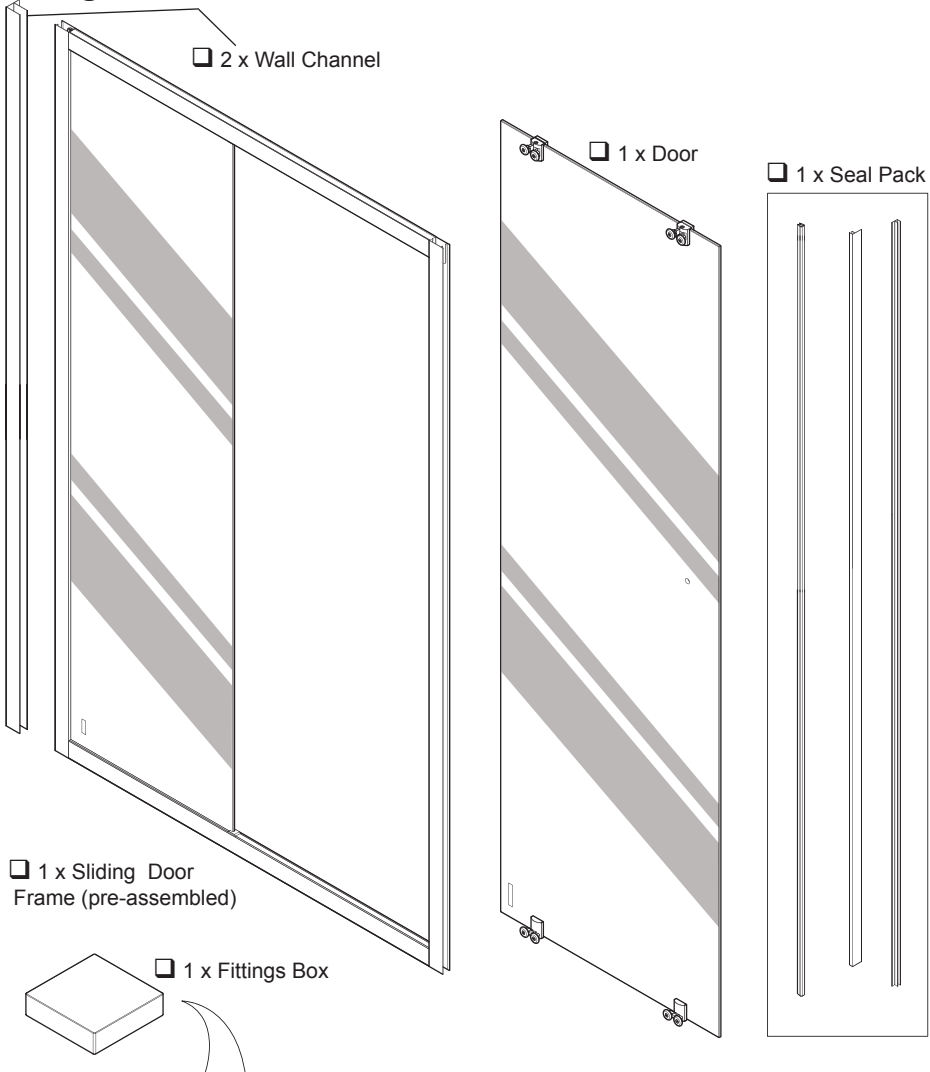
| | |
|------------------|---|
| Domestic | ✓ |
| Light Commercial | ✓ |
| Heavy Commercial | ✗ |
| Healthcare | ✗ |

TOOLS REQUIRED

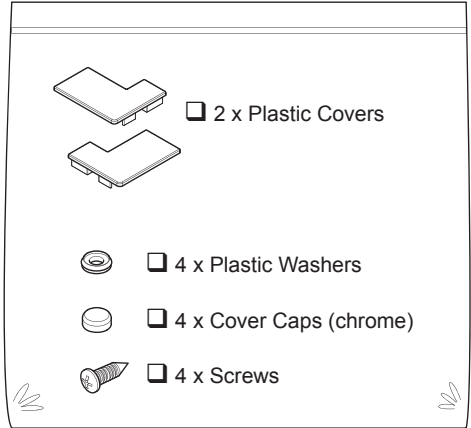
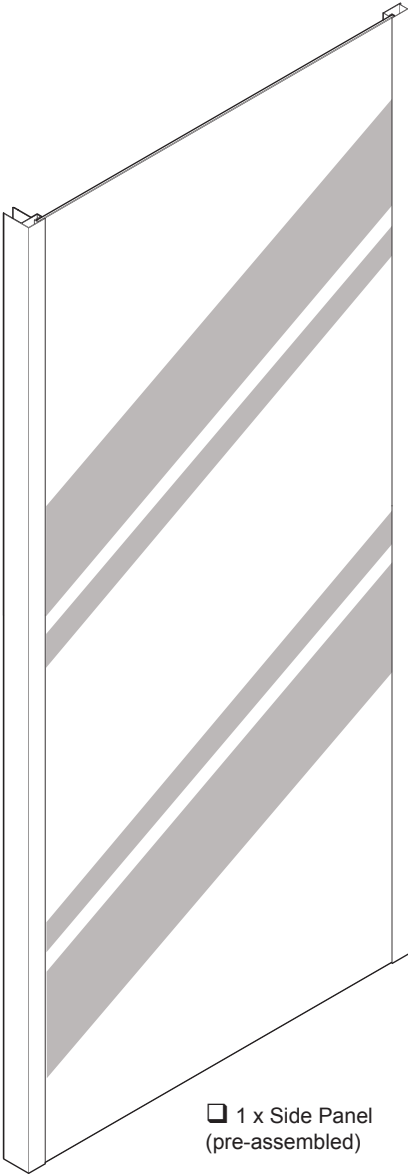


PACK CONTENTS

Sliding Door

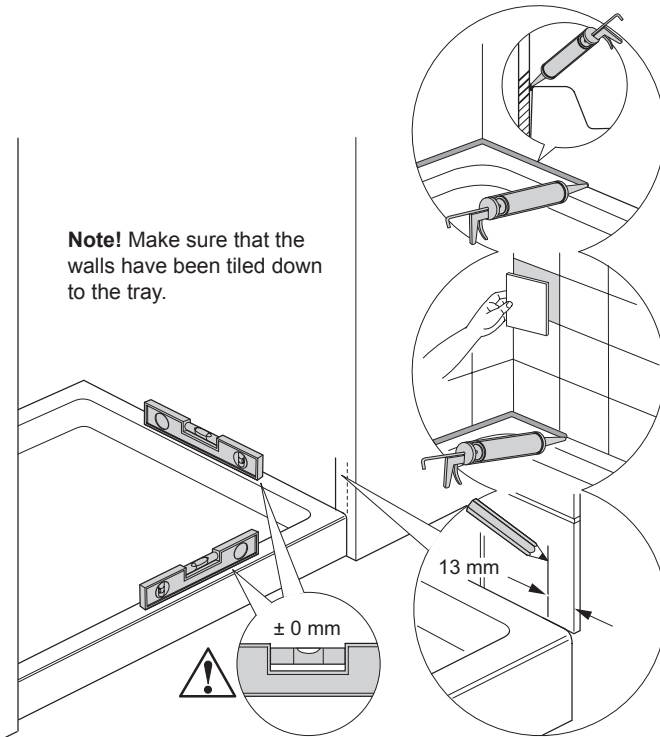


Side Panel



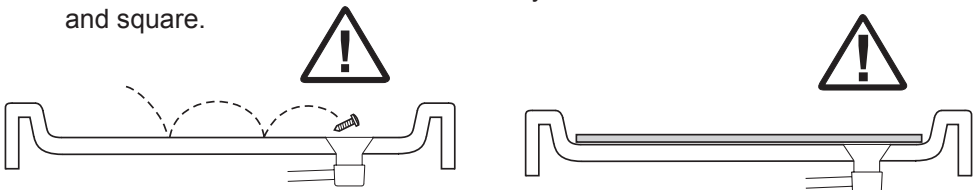
INSTALLATION OF THE SLIDING DOOR

1



| Product Height | 1900 mm | | | |
|-------------------|---------------------|---------------------|------------------------|------------------------|
| | Minimum Size Alcove | Maximum Size Alcove | Minimum Size Enclosure | Maximum Size Enclosure |
| 1000 Sliding Door | 945 | 995 | 962 | 987 |
| 1150 Sliding Door | 1095 | 1145 | 1112 | 1137 |
| 1200 Sliding Door | 1145 | 1195 | 1162 | 1187 |
| 1400 Sliding Door | 1345 | 1395 | 1362 | 1387 |

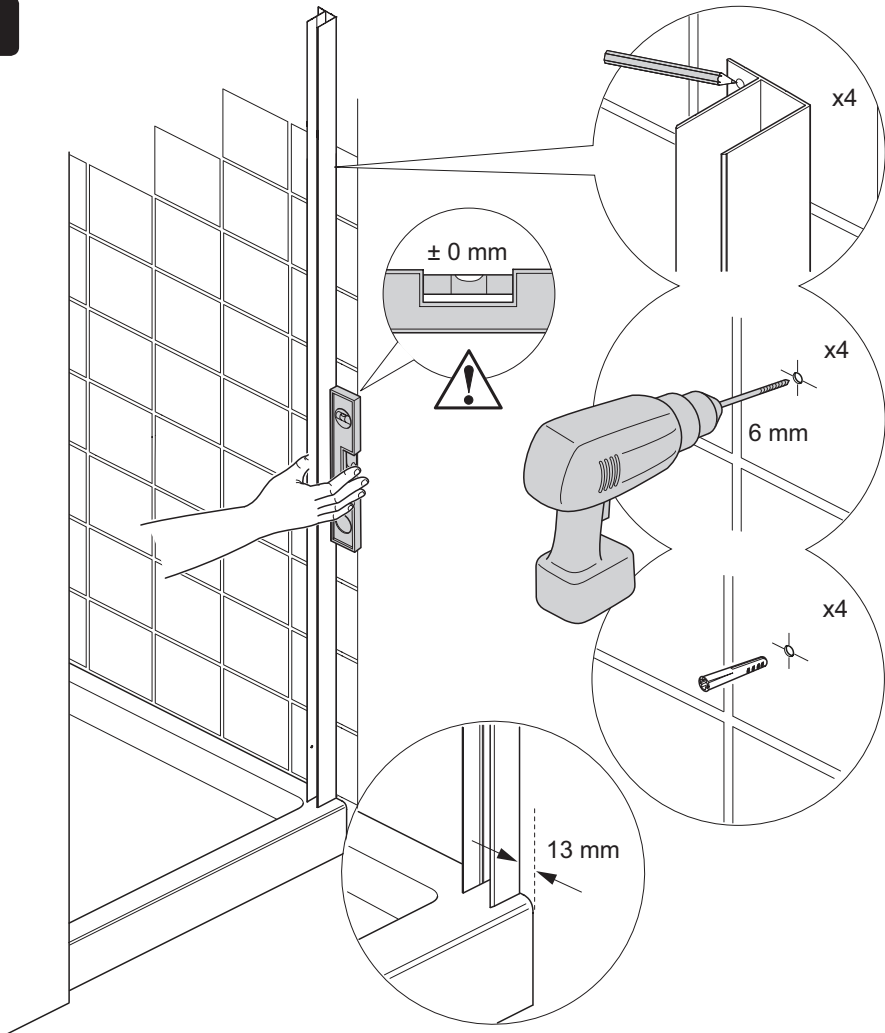
- (a) Install the shower tray in accordance with the manufacturer's instructions.
Caution! Make sure that the shower tray is level and that the walls are vertical and square.



Note! Cover the tray waste to prevent the loss of small parts.

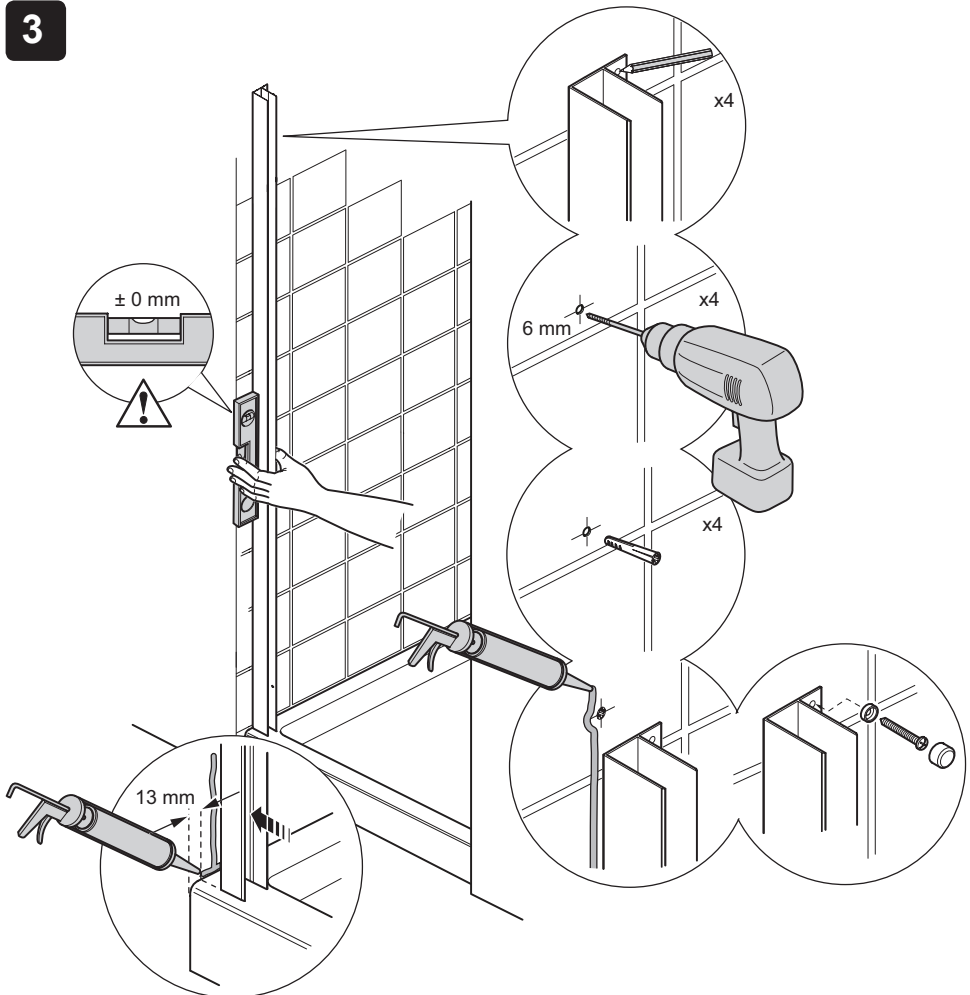
Note! Protect the tray surface during enclosure installation.

2



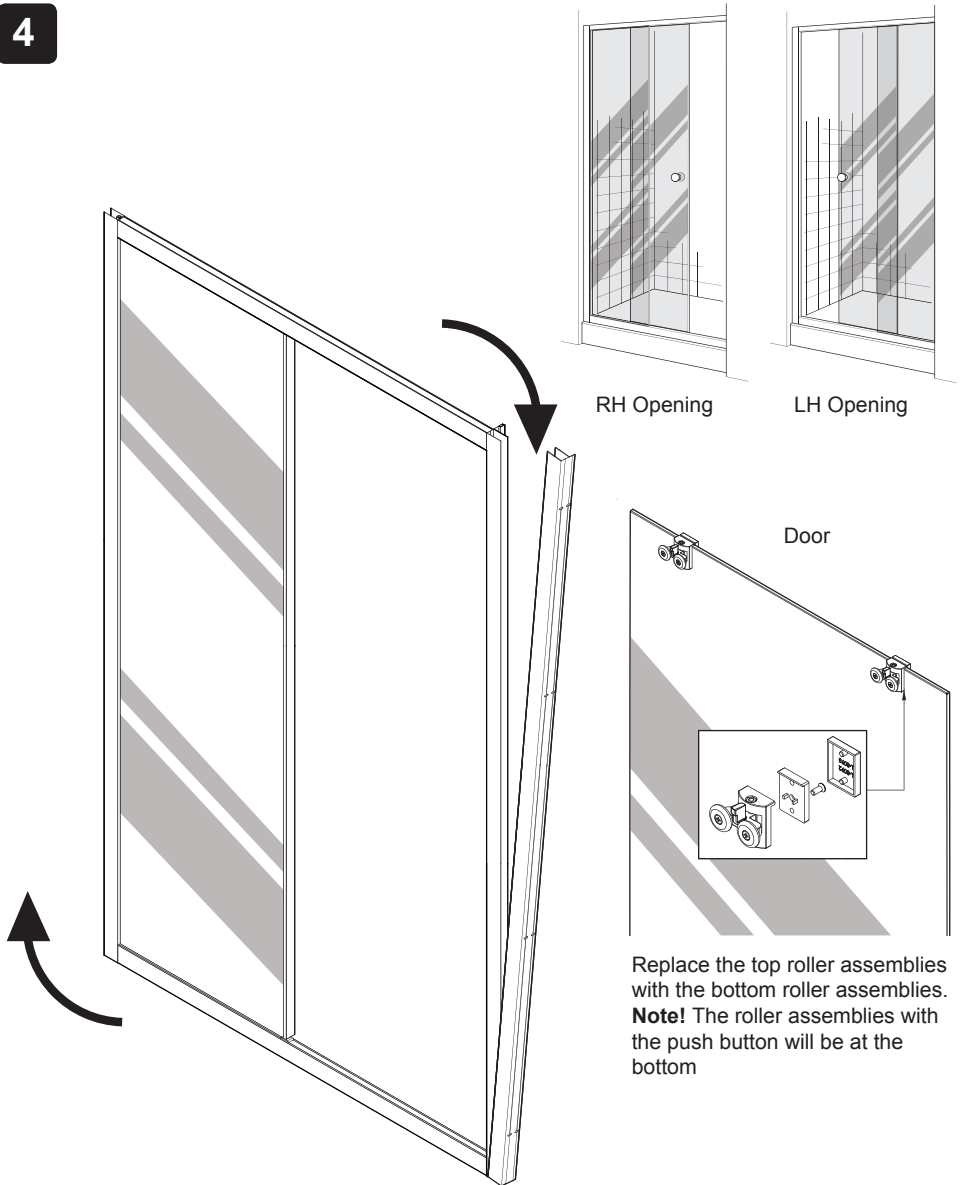
- (a) Position the wall channel on the wall. Using a spirit level make sure that it is upright.
- (b) Mark the position of the fixing holes, then remove the wall channel.
Note! The wall channel is not fitted at this stage.
- (c) Drill with a 6 mm masonry bit (not supplied) and plug using the wall plugs (supplied). For other types of wall structure alternative fixings may be required (not supplied).

3



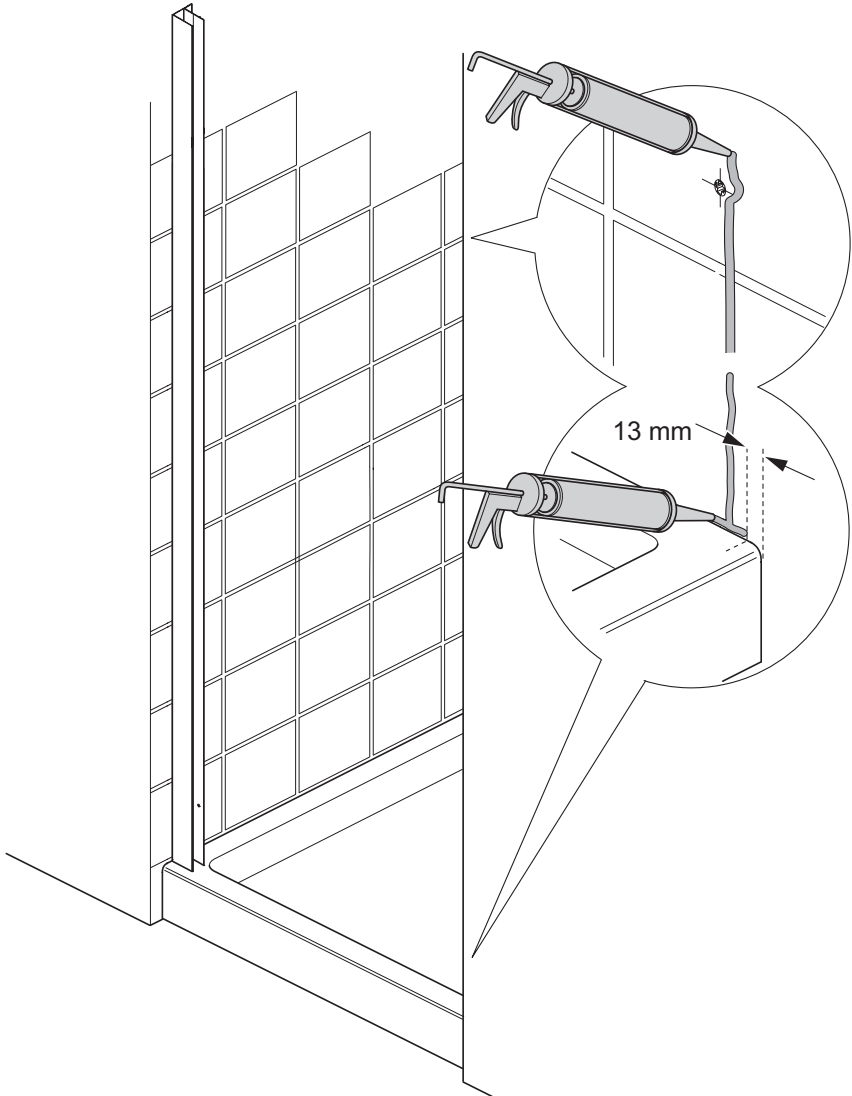
- (a) Position the second wall channel on the wall. Using a spirit level make sure that it is upright.
- (b) Mark the position of the fixing holes, then remove the wall channel.
- (c) Drill with a 6 mm masonry bit (not supplied) and plug using the wall plugs (supplied). For other types of wall structure alternative fixings may be required (not supplied).
- (d) Apply silicone sealant along the length of the wall and at the bottom where the wall channel will be placed, including the top of the tray.
- (e) Position the wall channel on the wall and install the washers and fixing screws.
- (f) Fully tighten the fixing screws, making sure that the wall channel is upright.
- (g) Fit the chrome caps over the screwheads.

4



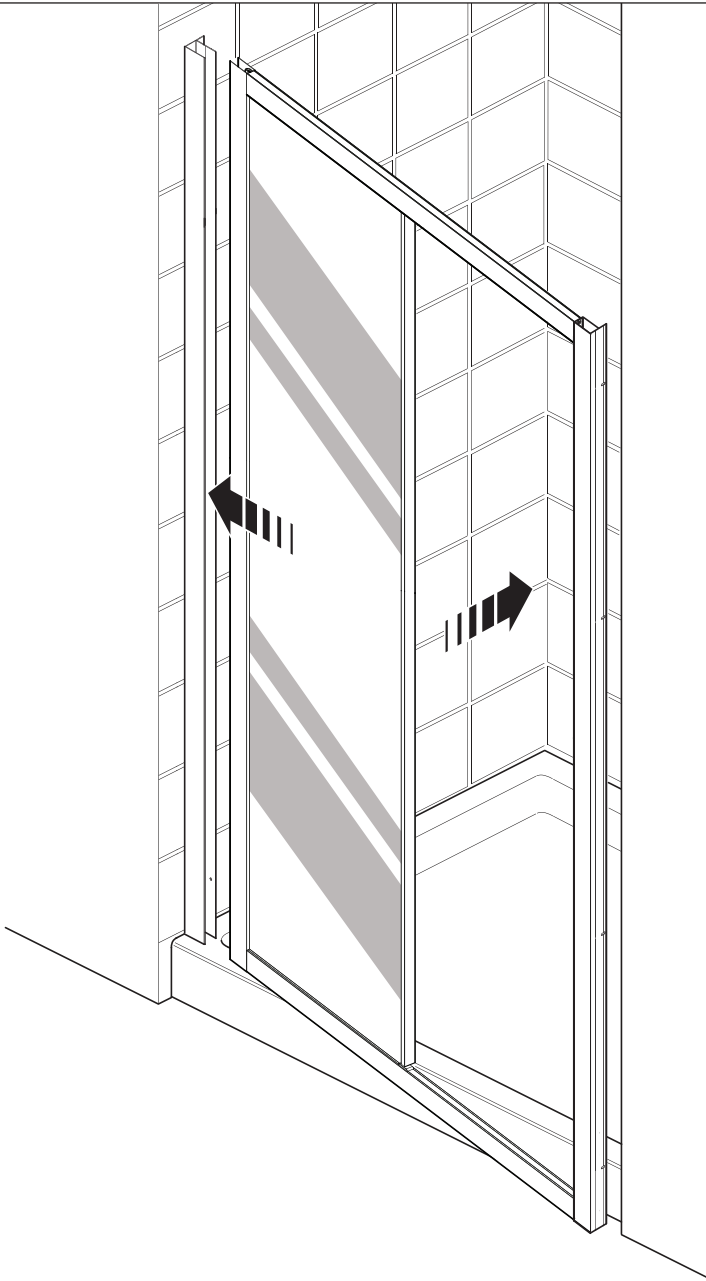
- (a) The sliding door can be either a LH or a RH opening. To change the opening simply rotate the frame through 180° before continuing with the installation
Note! If you rotate the frame, then you will have to rotate the door so that the hole for the handle is in the correct position. You will also need to swap the roller assemblies around.
- (b) Install the wall channel over the door frame and hold in position.

5



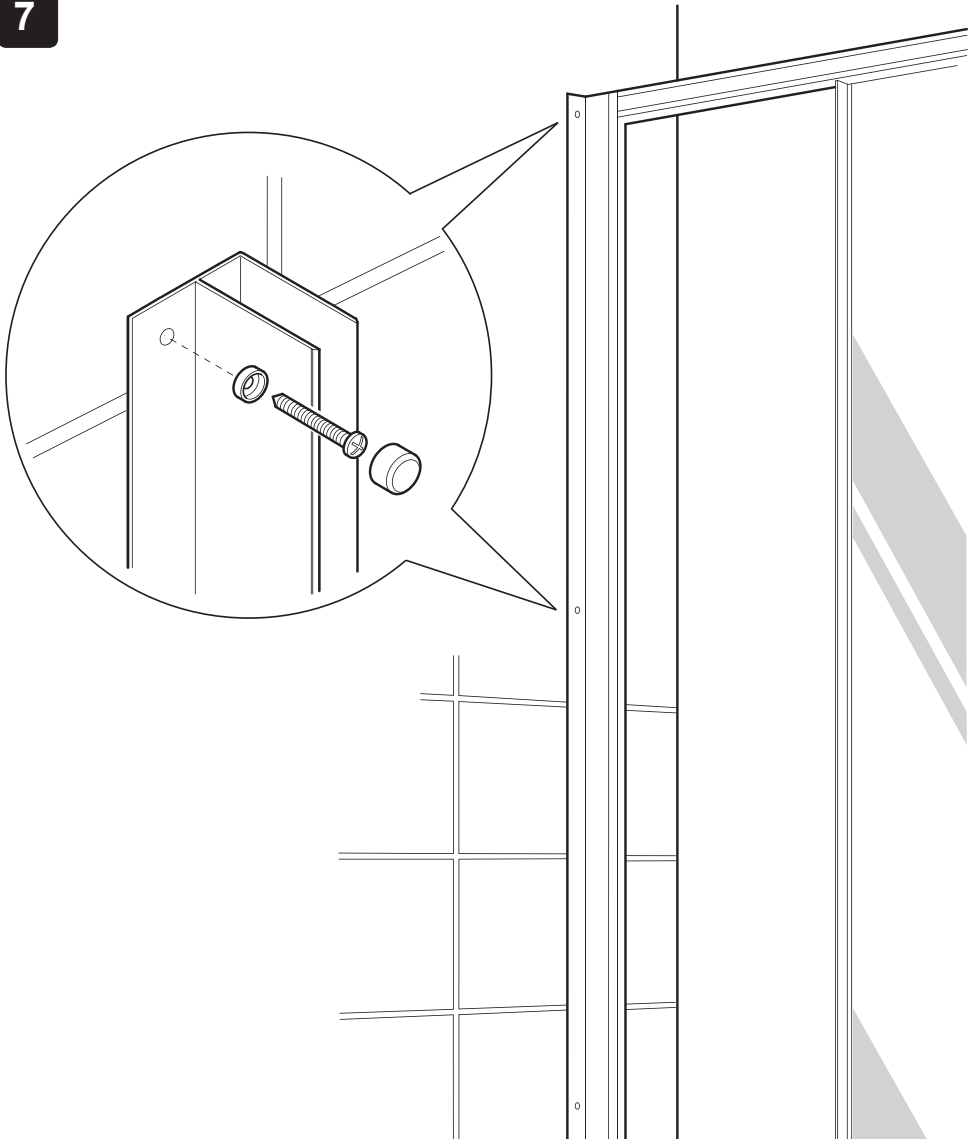
- (a) Apply silicone sealant along the length of the wall and at the bottom where the wall channel will be placed.

6



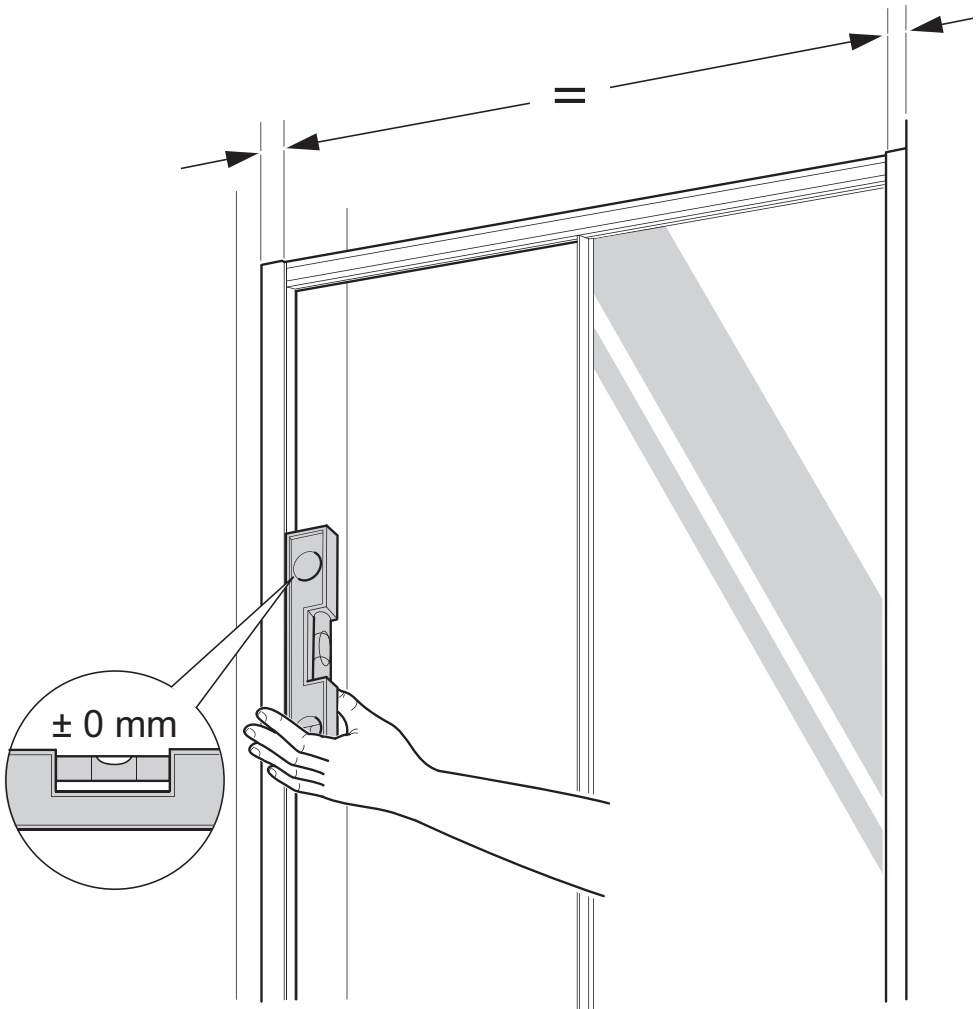
- (a) Install the door frame into the wall channel that had been secured to the wall earlier. **Make sure that you do not smudge the silicone sealant applied in the previous step.**
- (b) Adjust the door frame so that it is in the correct position.

7



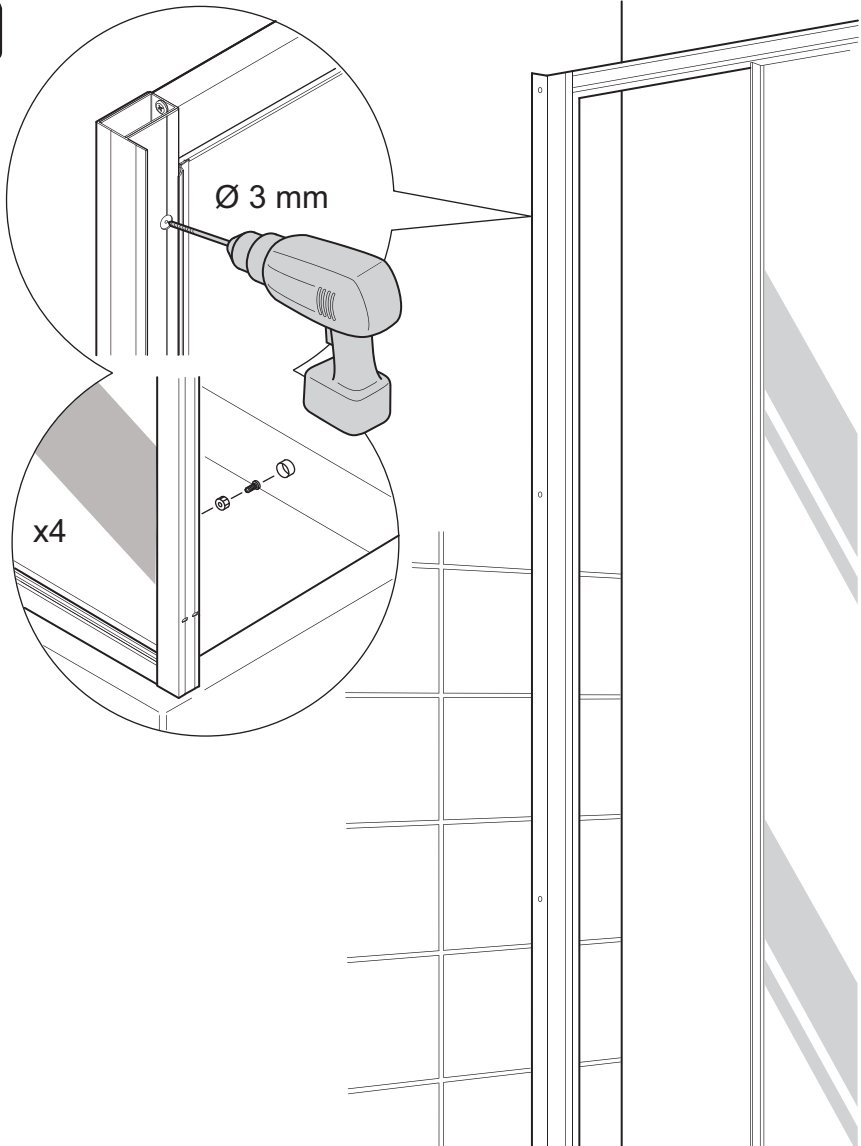
- (a) With the wall channel in position, install the washers and fixing screws.
- (b) Fully tighten the fixing screws, making sure that the wall channel is upright.
- (c) Fit the chrome caps over the screwheads.
- (d) Remove any excess silicone sealant from inside the shower enclosure.

8



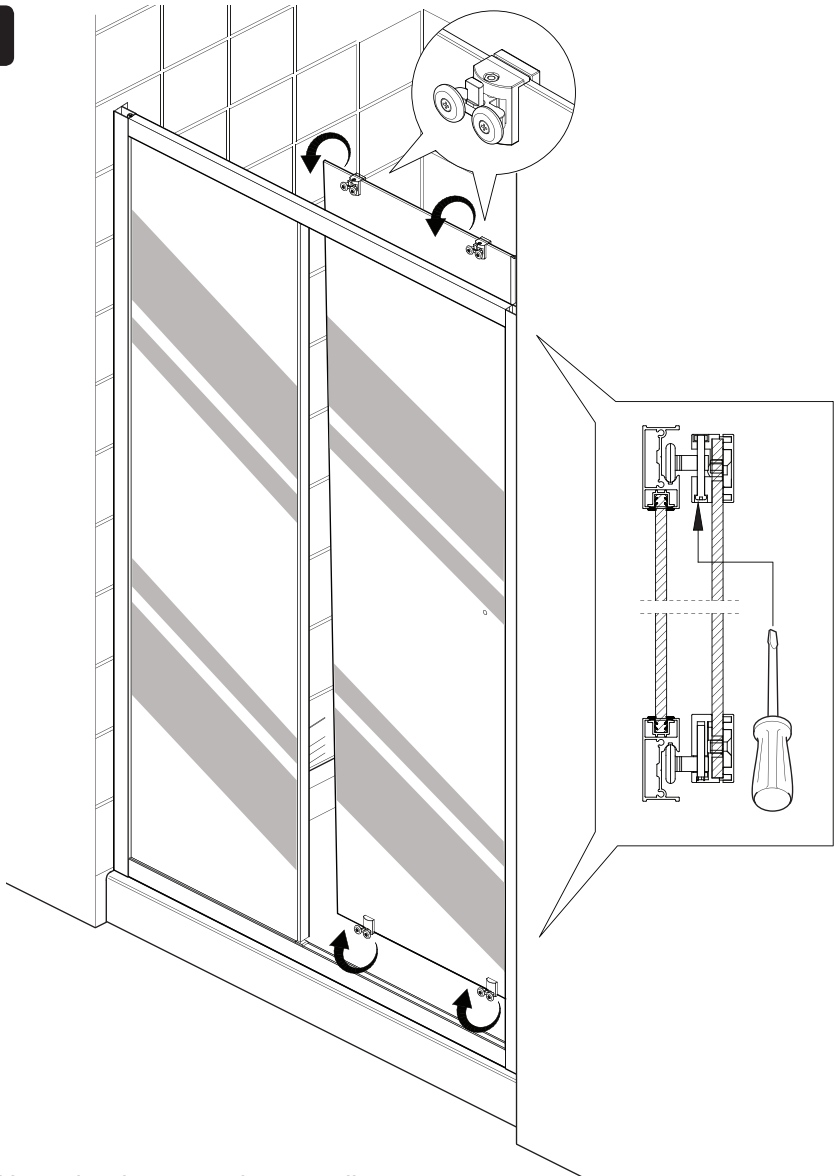
(a) Centralise the door frame within the wall channels, making sure that the door frame is square.

9



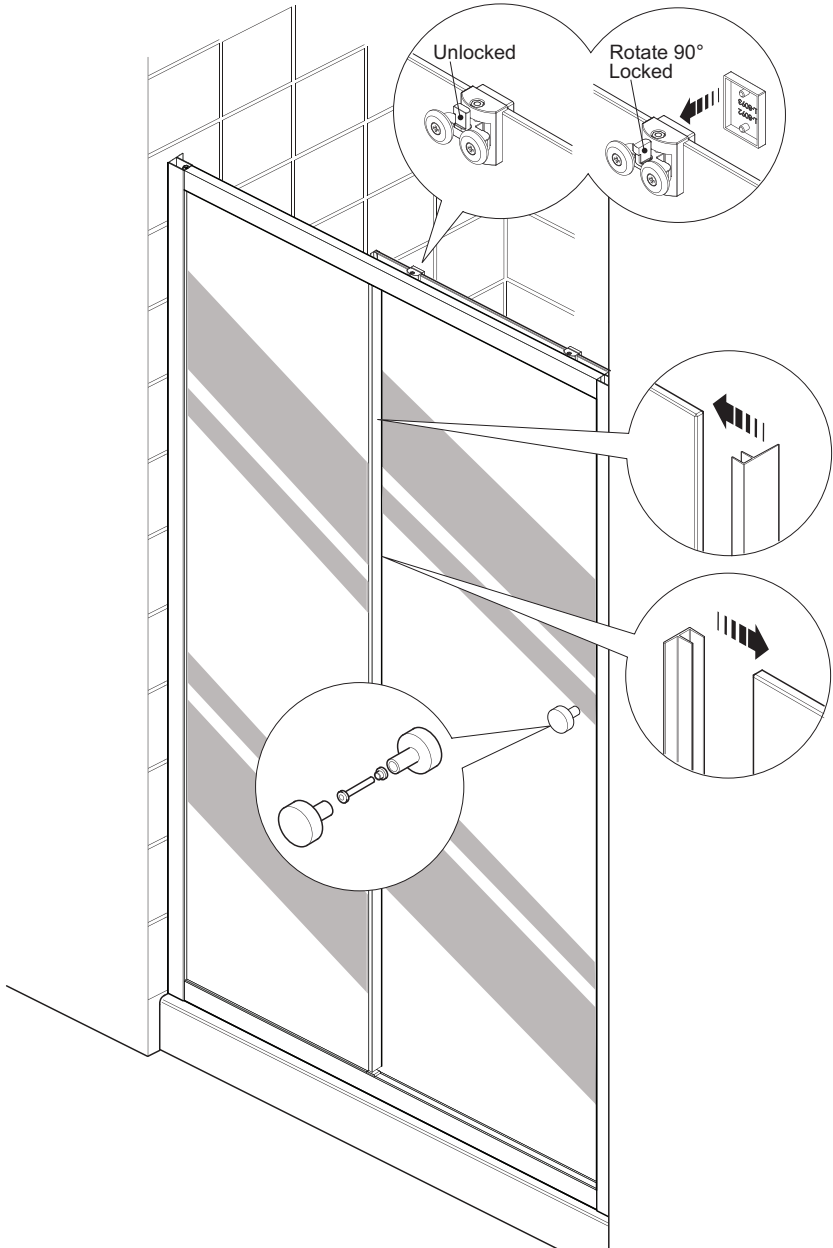
- (a) Drill four 3 mm holes from inside the shower enclosure in the door frame through the hole centre marked on the wall channel with a 3 mm HSS drill (not supplied).
- (b) Install the plastic washers and the screws.
- (c) Tighten the screws.
- (d) Repeat the process for the other wall channel.
- (e) Fit the chrome caps over the screwheads.

10



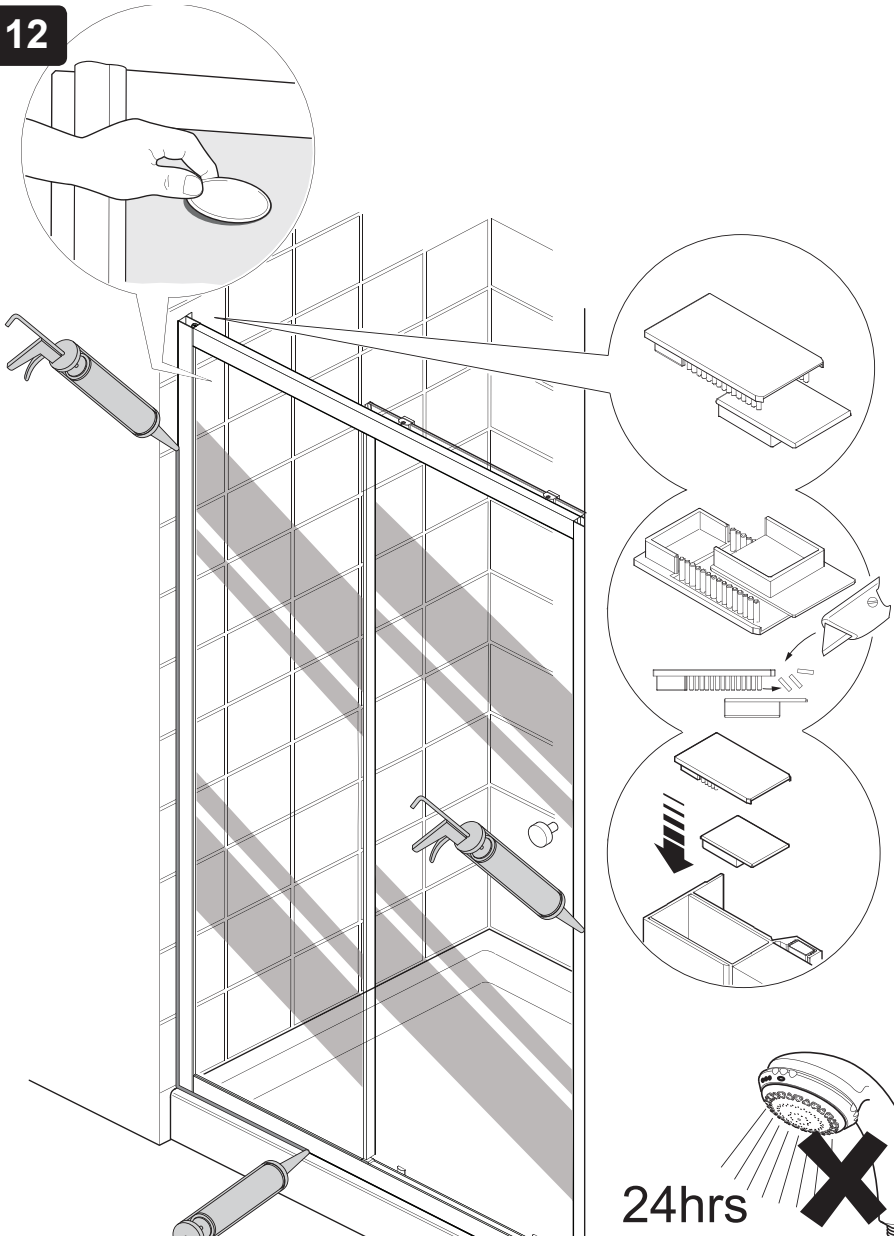
- (a) Hang the door onto the top rail.
Note! Make sure that the roller adjusting screws are facing downwards.
- (b) Adjust the top rollers with the adjusting screw until the bottom rollers easily clip into the bottom rail.
- (c) Finally adjust the rollers to give an even and smooth action when the door is opened and closed.

11



- (a) Install the door handle.
- (b) Fit the seals to the door and the fixed panel.
- (c) Lock the top roller assemblies in position by turning the lock through 90°.
- (d) Fit the roller covers.

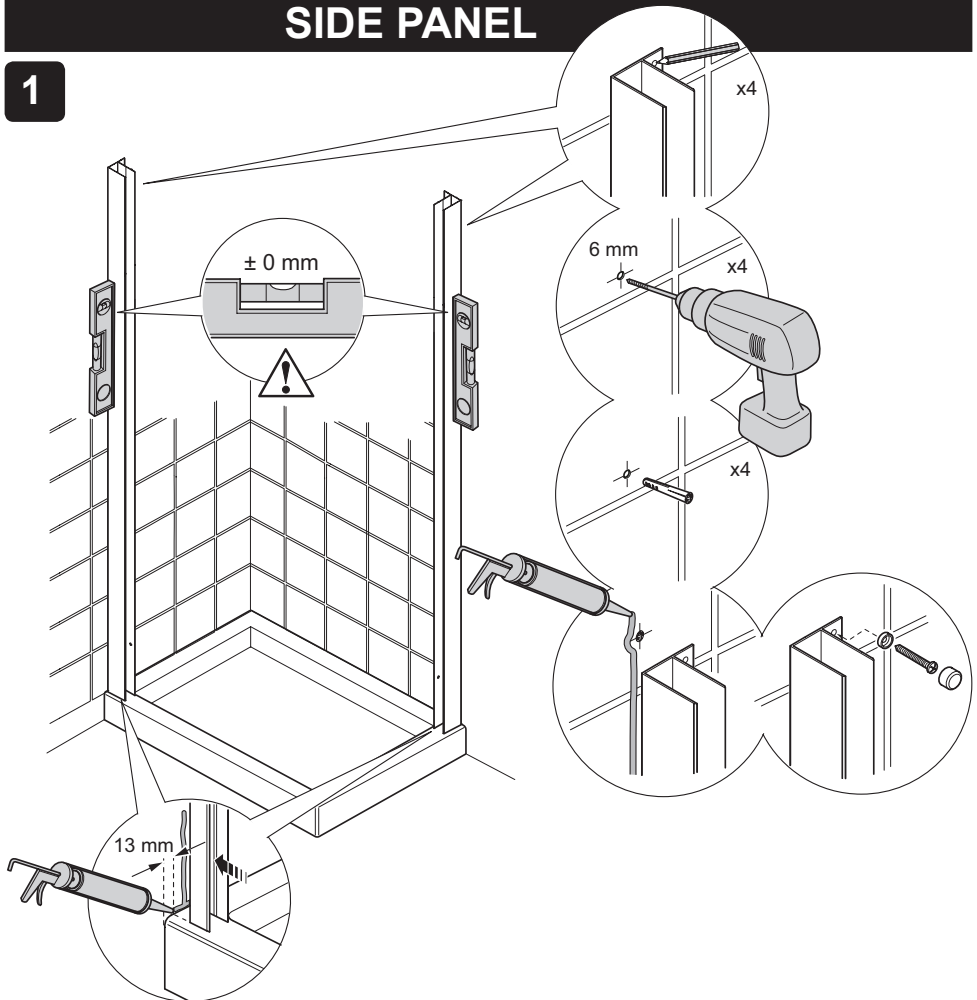
12



- (a) Apply sealant in accordance with the sealant manufacturers instructions along the outside surfaces of the door frame only.
- (b) Allow the silicone sealant to cure for 24 hours before use.
- (c) Fit the plastic covers to the top of the extrusions.

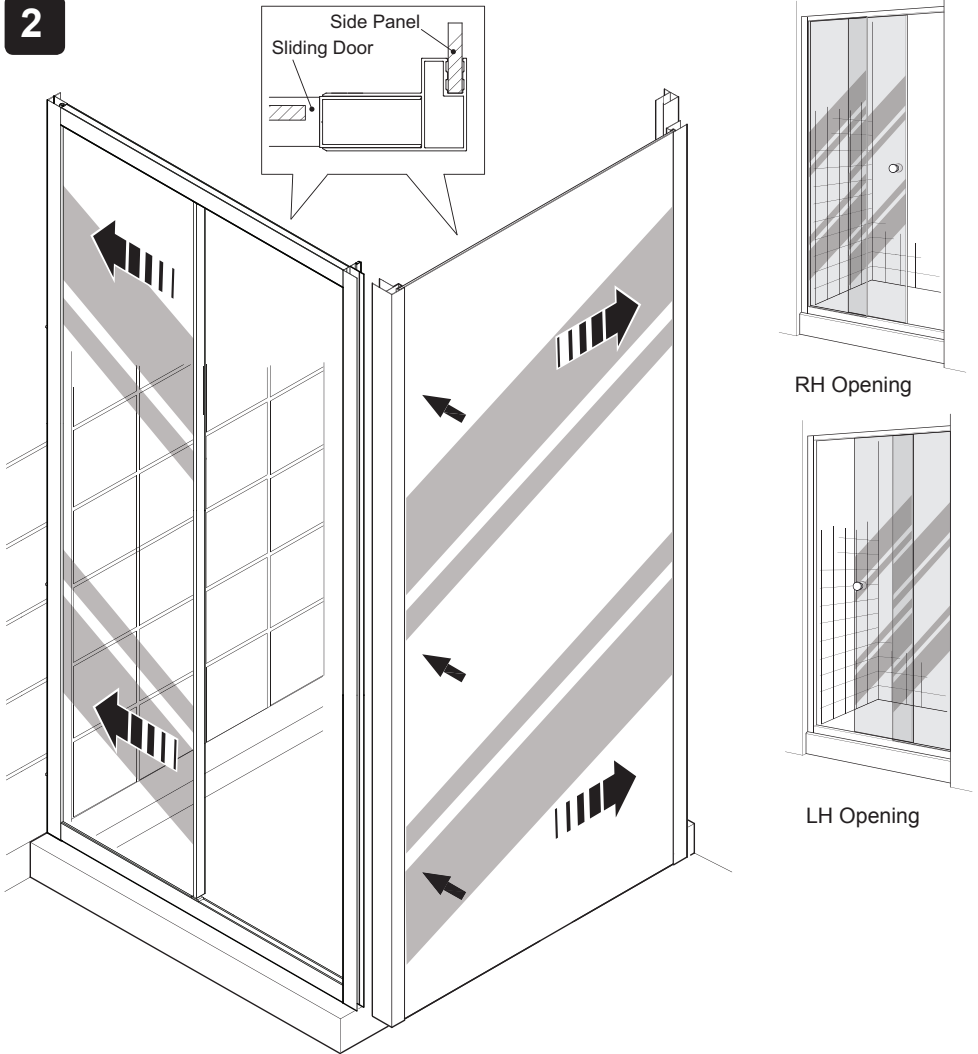
INSTALLATION OF THE SLIDING DOOR AND SIDE PANEL

1



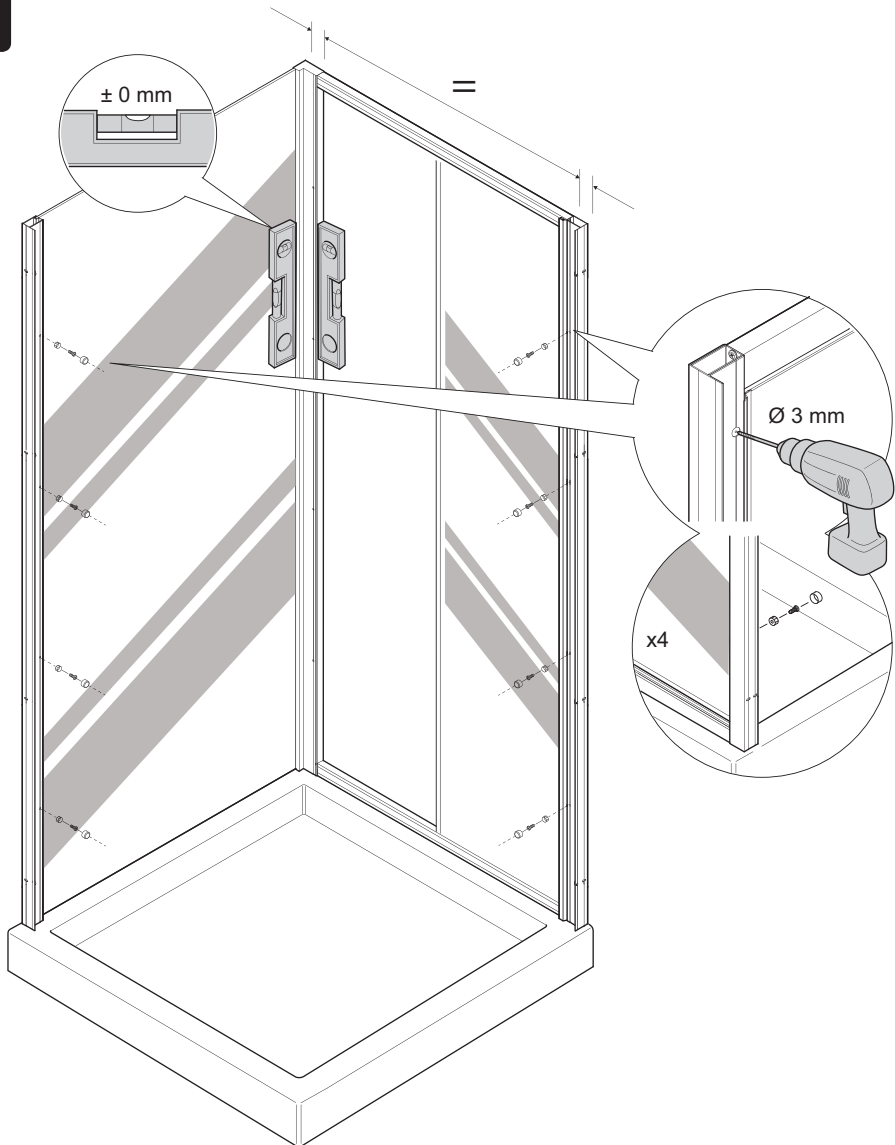
- (a) Position the wall channels on the wall. Using a spirit level make sure they are upright.
- (b) Mark the position of the fixing holes, then remove the wall channels.
- (c) Drill with a 6 mm masonry bit (not supplied) and plug using the wall plugs (supplied). For other types of wall structure alternative fixings may be required (not supplied).
- (d) Apply silicone sealant along the length of the wall and at the bottom where the wall channel will be placed, including the top of the tray.
- (e) Place the wall channels in position and fit the washers and fixing screws. Fully tighten the fixing screws, making sure that the wall channels are upright.
- (f) Fit the chrome caps over the screwheads.

2



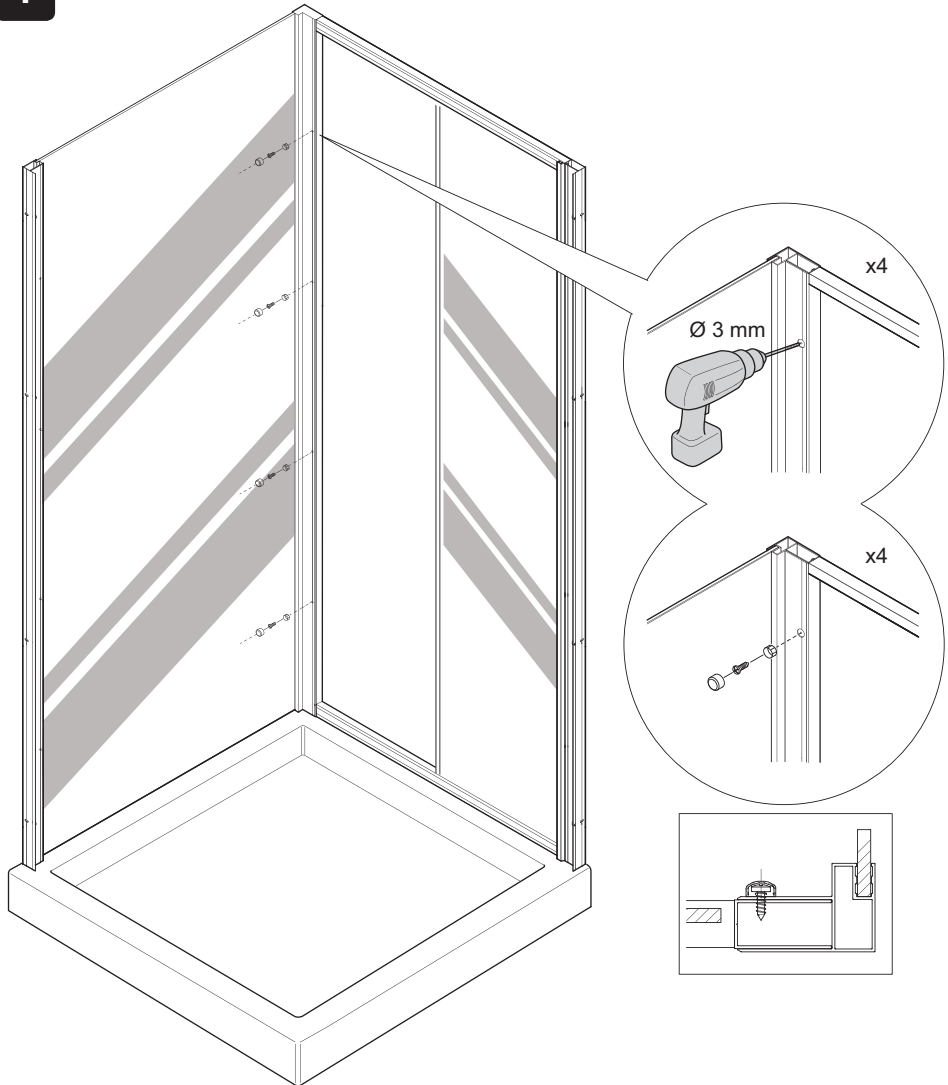
- (a) The sliding door can be either a LH or a RH opening. To change the opening simply rotate the frame through 180° before continuing with the installation
Note! If you rotate the frame, then you will have to rotate the door so that the hole for the handle is in the correct position. You will also need to swap the roller assemblies around.
- (b) Install the door frame into the wall channel.
- (c) Install the side panel into the other wall channel.
- (d) Combine the side panel and the door.
- (e) Make sure that the sliding door and side panel engage correctly.

3



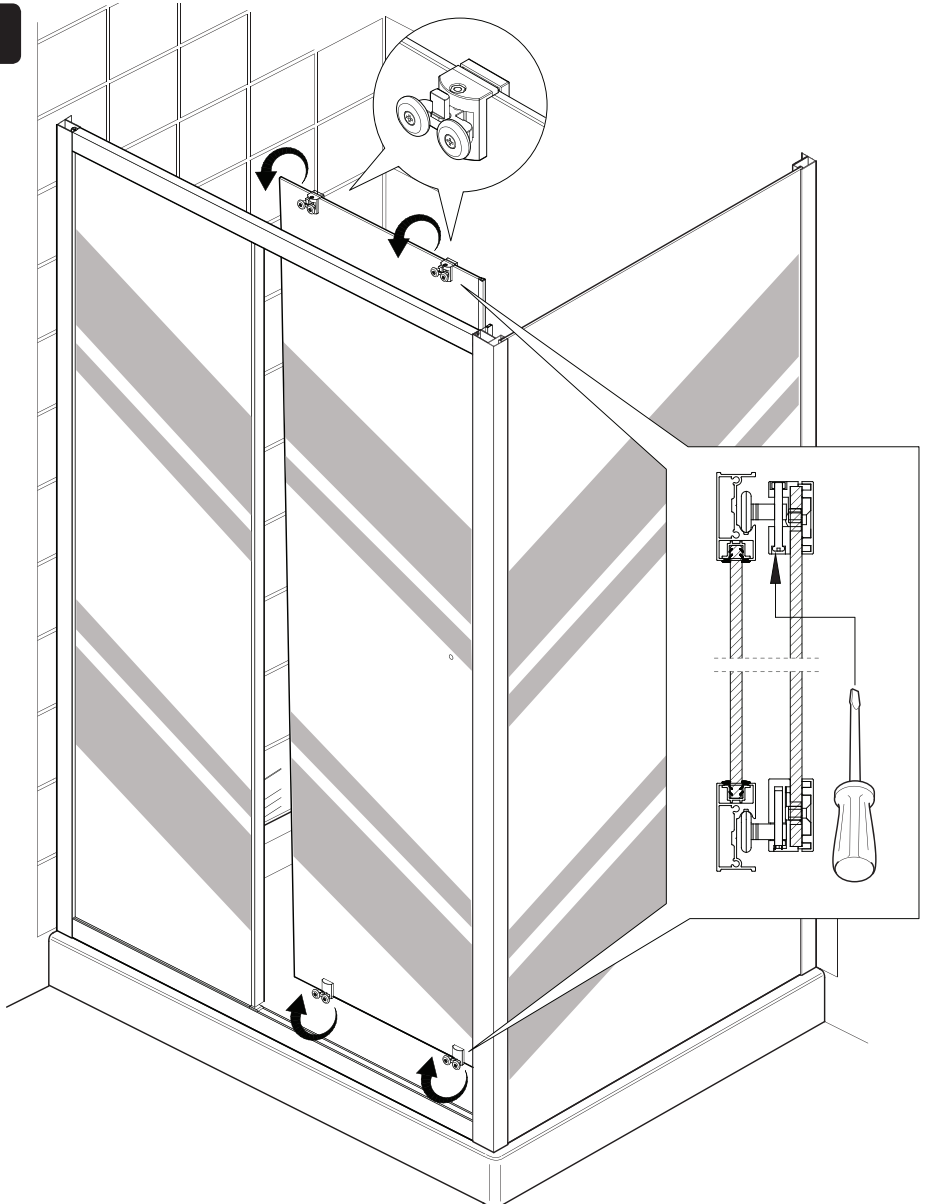
- (a) Drill four 3 mm holes from inside the shower enclosure in the door frame through the hole centre marked on the wall channel with a 3 mm HSS drill (not supplied).
- (b) Install the plastic washers and the screws.
- (c) Tighten the screws.
- (d) Repeat the process for the other wall channel.
- (e) Fit the chrome caps over the screwheads.

4



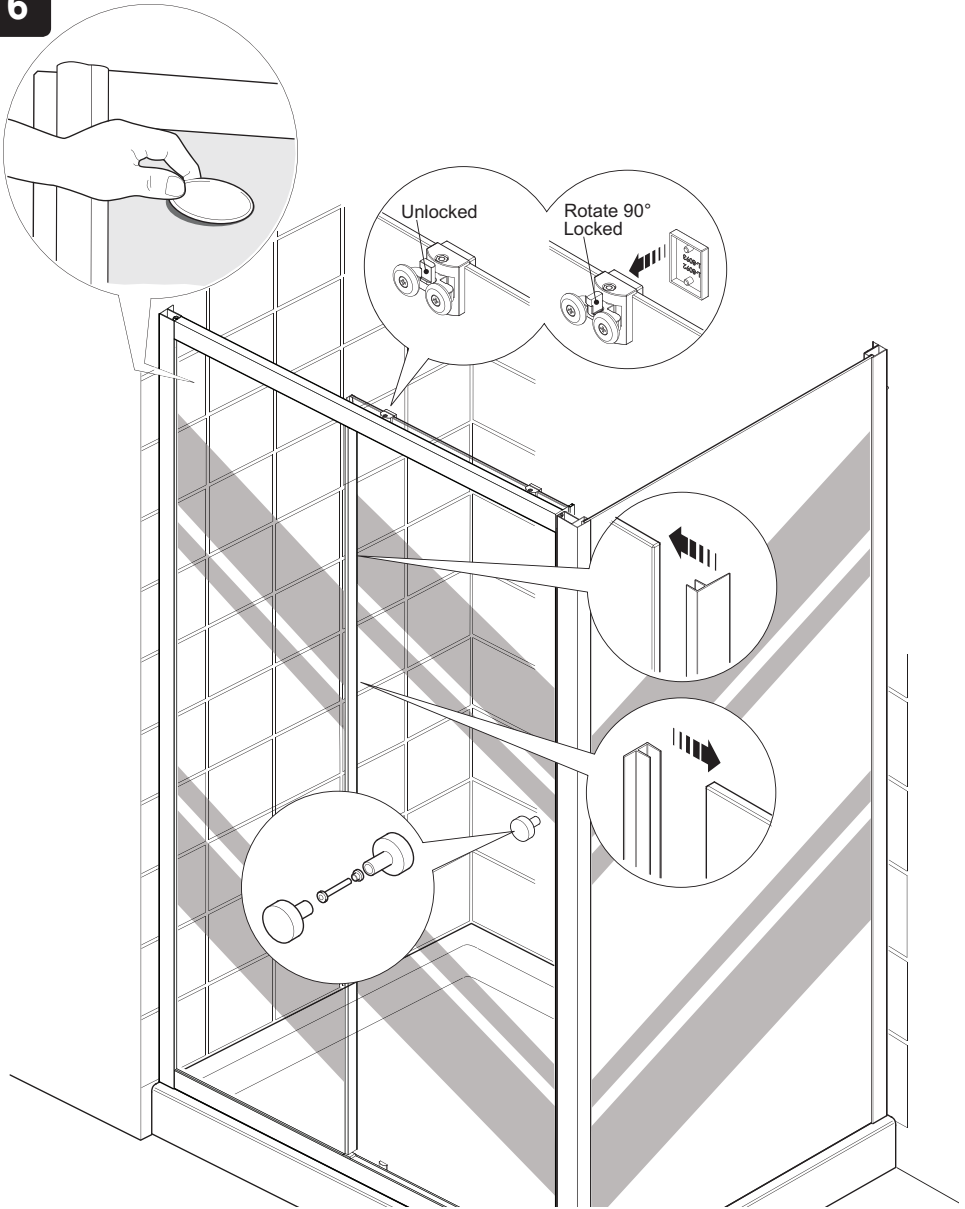
- (a) Drill four 3 mm holes from inside the shower enclosure in the door frame through the hole centre marked on the wall channel with a 3 mm HSS drill (not supplied).
- (b) Install the plastic washers and the screws.
- (c) Fully tighten the fixing screws, making sure that the corner post is upright.
- (d) Fit the chrome caps over the screwheads.

5



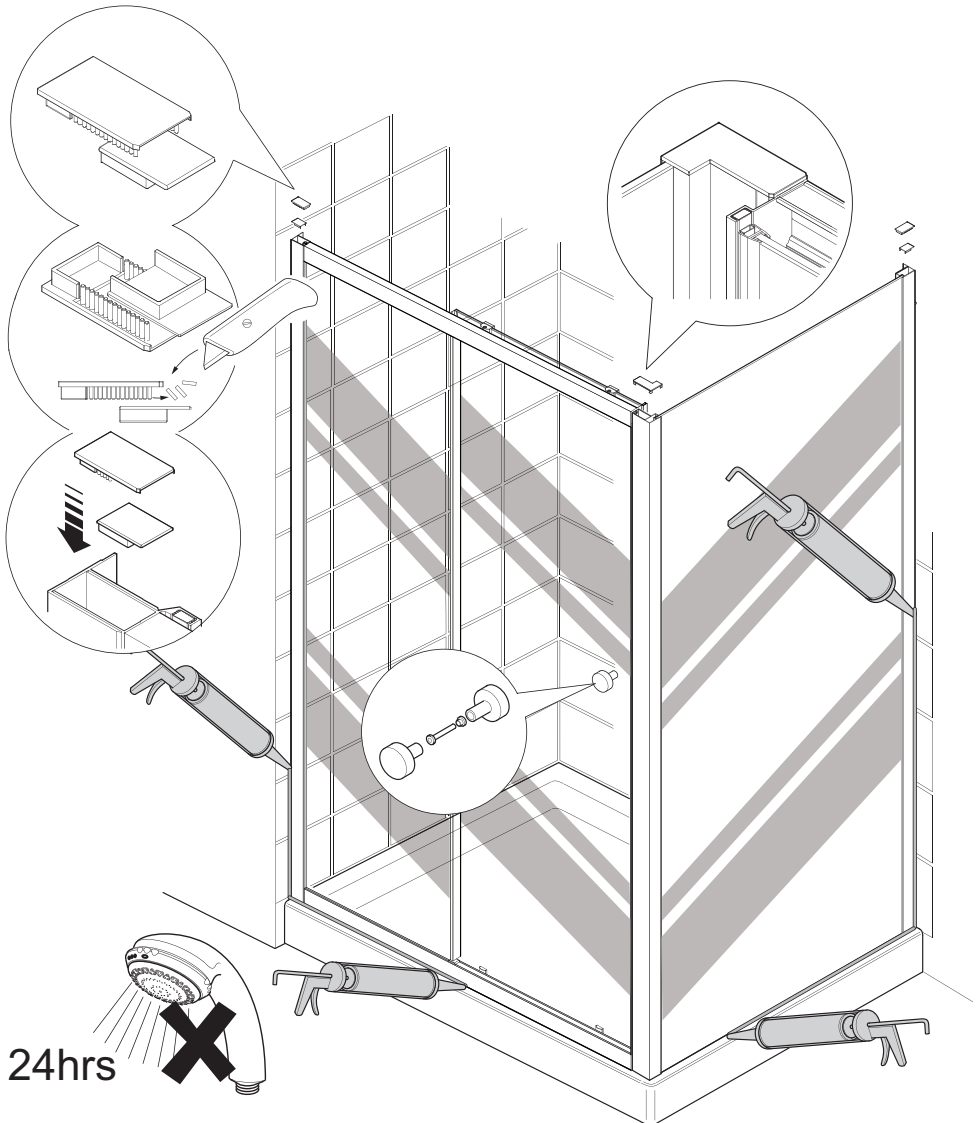
- (a) Hang the door onto the top rail.
Note! Make sure that the roller adjusting screws are facing downwards.
- (b) Adjust the top rollers with the adjusting screw until the bottom rollers easily clip into the bottom rail.
- (c) Finally adjust the rollers to give an even and smooth action when the door is opened and closed.

6



- (a) Install the door handle.
- (b) Fit the seals to the door and the fixed panel.
- (c) Lock the top roller assemblies in position by turning the lock through 90°.
- (d) Fit the roller covers.

7



- (a) Apply sealant in accordance with the sealant manufacturers instructions along the outside surfaces of the enclosure.
- (b) Allow the silicone sealant to cure for 24 hours before use.
- (c) Fit the plastic covers to the top of the extrusions.

MAINTENANCE

General Maintenance

Providing the shower enclosure has been correctly installed and is operated in accordance with the instructions contained in this guide, difficulties should not arise.

If any maintenance is required then it must be carried out by a competent tradesperson to whom the maintenance instructions are provided.

Before replacing any parts ensure the underlying cause of the malfunction has been resolved.

Cleaning

Warning! The use of grout/tile cleaners, scale removers, abrasive scourers, drain unblockers and other powerful detergents may lead to damage of metallic, plated and plastic surfaces, including the tray and shower waste.

The enclosure should be cleaned with a mild washing up detergent and wiped dry using a soft cloth.

Care

To preserve the beauty of your shower enclosure for many years, please observe the following care instructions:

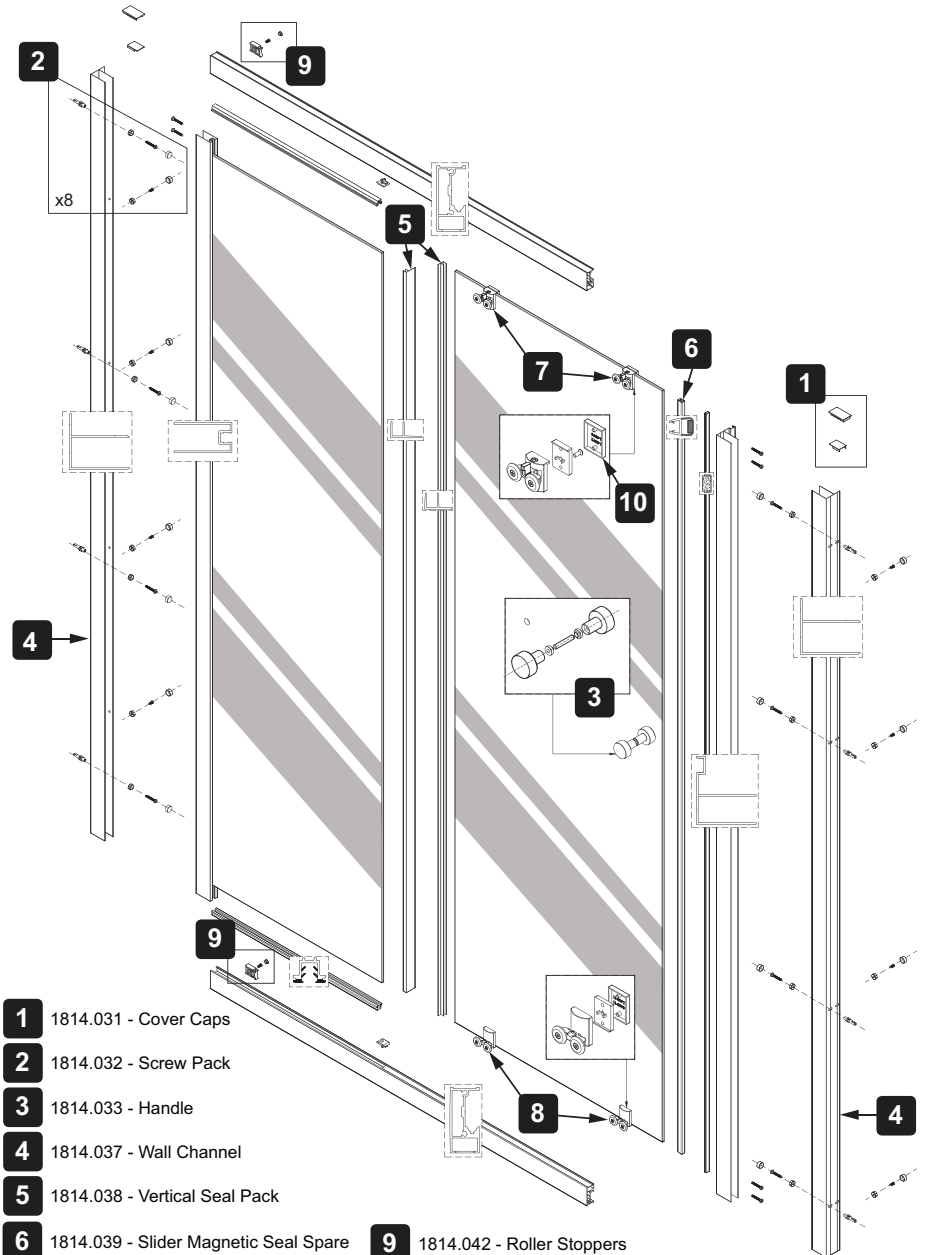
Rinse glass and frame with clear water after showering. Remove water droplets with a squeegee. Do not rub dry! To clean your shower hygienically and easily, we recommend the use of a biodegradable cleanser.

Regular cleansing with a biodegradable cleanser prevents stubborn stains and ensures a clean and hygienic surface for many years. Do not use scouring or caustic cleansers under any circumstances! These can damage the surface of the frame, glass and decorative parts as well as the plastic parts.

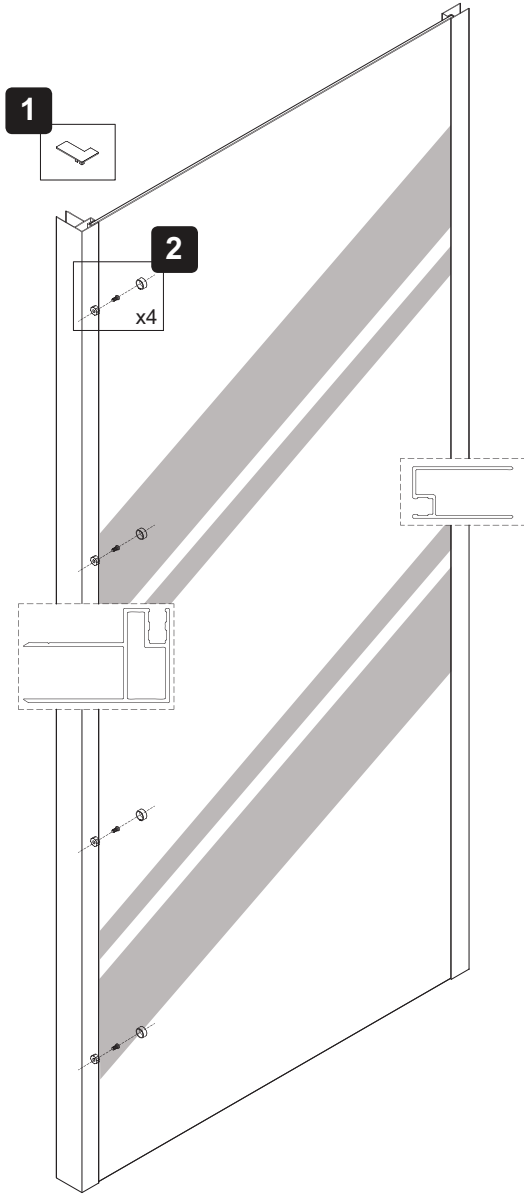
Chrome Parts

Use only cleansers expressly specified for chrome!

SPARE PARTS



- 1** 1814.031 - Cover Caps
- 2** 1814.032 - Screw Pack
- 3** 1814.033 - Handle
- 4** 1814.037 - Wall Channel
- 5** 1814.038 - Vertical Seal Pack
- 6** 1814.039 - Slider Magnetic Seal Spare
- 7** 1814.040 - Top Rollers
- 8** 1814.041 - Bottom Rollers
- 9** 1814.042 - Roller Stoppers
- 10** 1814.043 - Roller Cover



- 1** Cover Cap
- 2** Screw

NOTES

DECLARATION OF PERFORMANCE

KOHLER®

DECLARATION OF PERFORMANCE

Kohler Mira Ltd.

Cromwell Road
Cheltenham
Gloucestershire
GL52 5EP
United Kingdom

Tel: 0844 571 1155
Fax: 0844 581 1100

www.kohlermira.co.uk

Brand name: Mira.

Product name: Elevate Shower Enclosures

Product Range: Elevate Pivot Door, Elevate Slider Door, Elevate Inline Panel, Elevate Side Panel, Elevate Filer Section, Elevate Bi-Fold Door, Elevate Corner Entry, Elevate Quadrant Enclosure, Elevate Wet Room Panel,

Product type: Domestic Shower Enclosure

Manufacturer: Kohler Mira Ltd
Cromwell Road, Cheltenham
Gloucestershire GL52 5EP
United Kingdom.

Directives: EU 305/2011 Construction Products Regulations

System of assessment: System 4:
Type testing / Factory production Control

Standards: EN 14428:2004 +A1:2008.
Shower enclosures – Functional requirements and test methods.

| Essential Characteristics | Performance | Harmonised technical specification |
|---------------------------|-------------|------------------------------------|
| IR-CA-DA | Compliant | EN 14428:2004 +A1:2008 |


The performance of the products described above, are in conformity with the relevant community harmonisation legislation.

This declaration of performance is issued under the sole responsibility of Kohler Mira Ltd.

Signed for and on behalf of Kohler Mira Ltd.

CE 13

Signature:



Name: Andrew Baines
Place: Cheltenham, UK
Doc. No.: CE 0079

Position: NPD Director
Date: 7th October 2013,
Issue: 1.

CUSTOMER SERVICE

Guarantee

Your product has the benefit of our manufacture's 10 year guarantee (1 year for any commercial installations) which starts from date of purchase. **Note!** door seals, gaskets and magnets are guaranteed for 3 years only.

To activate this guarantee, please visit our website within 30 days of purchase (UK only).

Within the guarantee period we will resolve defects in materials or workmanship by either repairing the product, providing new goods and parts to you in replacement or refunding (up to but not in excess of) the original purchase price, as we may choose.

This guarantee is in addition to your statutory rights and is subject to the following conditions:

- The guarantee applies solely to the original installation under normal use and to the original purchaser only. The product must be installed and maintained in accordance with the instructions given in this user guide. The product must be inspected and issues reported before installation.
- Servicing must only be undertaken by us or our appointed representative. **Note!** if a service visit is required the product must be fully installed and connected to services.
- Repair under this guarantee does not extend the original expiry date. The guarantee on any replacement parts or product ends at the original expiry date.
- For trims, handles or consumable items we reserve the right to supply replacement parts only.

The guarantee does not cover:

- Call out charges for damage or defects caused by incorrect installation, frost damage, mildew, limescale, corrosion, lack of maintenance, improper use, inappropriate cleaning (please refer to our Care and Maintenance Instructions) or where no fault has been found with the product.
 - Accidental or wilful damage.
 - Compensation for loss of use of the product or consequential loss of any kind.
 - Damage or defects caused if the product is repaired or modified by persons not authorised by us or our appointed representative.
 - Wear and Tear.
 - Glass breakage or the coating on the glass. By its nature all glass has the potential to shatter therefore we only use toughened safety glass.
 - Products purchased ex-showroom display.
- Note!** Integrated shower systems are subject to a separate guarantee.

IMPORTANT! Enclosures must be inspected for defects prior to installation. This Guarantee does not cover the costs of removal and/or reinstallation where a defect would have been discovered by inspection prior to installation.

What to do if something goes wrong

If your product does not function correctly when you first use it, contact your installer to check that it is installed in accordance with the instructions in this manual.

If this does not resolve the issue, contact our Customer Services Team who will offer you or your installer help and advice.



Helpdesk Service - Our Customer Services Team is comprehensively trained and can offer help and advice, spare parts, accessories or a service visit. You will need to have your model name, model number and date of purchase.



Mira Showers Website (www.mirashowers.co.uk)

From our website you can register your guarantee, download additional user guides, diagnose faults, purchase our full range of accessories and popular spares, refer to our FAQ's and request a service visit.



Spares and Accessories - We hold the largest stocks of genuine Mira spares and accessories. Contact us for a price or visit our website to purchase items from our accessory range and popular spares.



Service/Repairs - No one knows our products better than our nationwide team of Service Technicians. We can carry out service or repair work to your product both during and after the guarantee period. Ask about our fixed price service repairs.

To Contact Us: UK



0844 571 5000

Calls cost 7p per minute plus your phone company's access charge



Fax: 01242 282595



Email – Visit

www.mirashowers.co.uk/contactus



By Post: **Mira Customer Services Dept, Cromwell Road, Cheltenham, Gloucestershire GL52 5EP**



Kohler Mira Limited, Cromwell Road, Cheltenham, Gloucestershire, GL52 5EP, UK

Kohler
Elevate Range of Domestic Shower
Enclosures
Declaration of Performance: CE0079

| Essential Characteristics | Performance | Specification |
|---------------------------|-------------|-------------------------|
| IR-CA-DA | Compliant | EN 14428:2004 + A1:2008 |

Mira is a registered trade mark of
Kohler Mira Limited.

The company reserves the right to alter
product specifications without notice.



mira
SHOWERS