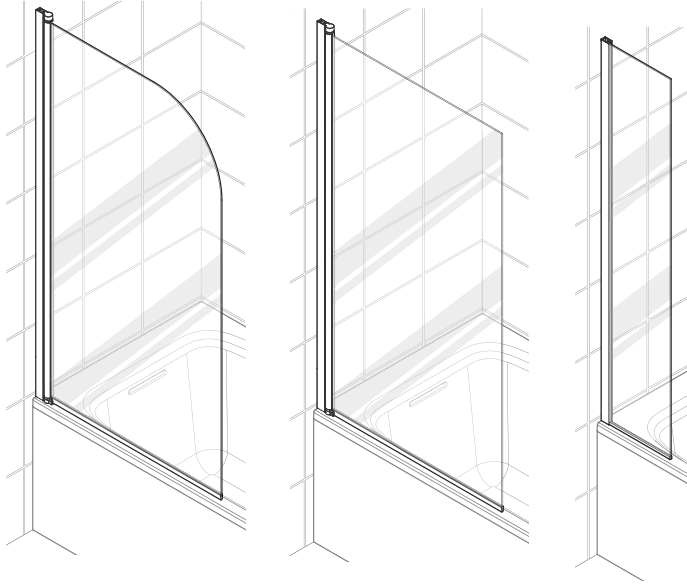


Elevate Bathscreens



These instructions must be left with the user

Installation Guide

Showering perfection

mira
SHOWERS

INTRODUCTION

Thank you for purchasing a quality Mira product. To enjoy the full potential of your new product, please take time to read this guide thoroughly, having done so, keep it handy for future reference.

The following pages aim to provide comprehensive installation instructions, plus advice on how to care and maintain your product.

We recommend that the unit is installed by a qualified plumber or engineer.

GENERAL INFORMATION

General

1. Read all of these instructions and retain this guide for later use.
2. Pass on this guide in the event of change of ownership of the installation site.
3. Follow all warnings, cautions and instructions contained in this guide.
4. Excessive flow rates may lead to potential overspray and leakage.

Safety Information

1. Care should be taken when drilling into walls and floors to avoid any hidden pipes or wires.
2. We strongly recommend that all glass panels are moved by a minimum of two people and that any protective packaging along the glass edges is kept in place for as long as possible to prevent damage before installation.
3. Wear protective footwear when lifting panels.
4. Wear safety glasses when drilling.

Before Fitting the Bathscreen

1. Ensure the Bath is level and that there is a complete silicone seal between the bath and the finished wall.
2. Shower fittings should be positioned such that water discharges down the centre line of a bath.
3. Ensure water is not directed at the bathscreen. This could result in water spraying outside of the showering space.
4. Ensure the size of bathscreen is suitable for the installation. Tempered safety glass cannot be cut.
5. Ensure nothing can impact the bathscreen during operation.

When Fitting the Bathscreen

1. The wall channels must be installed onto a tiled or waterproof finished flat and even wall surface. Failure to do so will result in an unsatisfactory seal, which may cause property damage.

Use of the Bathscreen

1. High water pressure and flow may lead to excessive splashing causing water to escape outside of the bathscreen.
2. In certain circumstances such as cleaning, water sprayed directly at the seals may escape outside of the bathscreen.

GUARANTEE

For **domestic installations**, your product has the benefit of our 10 year guarantee which starts from date of purchase.

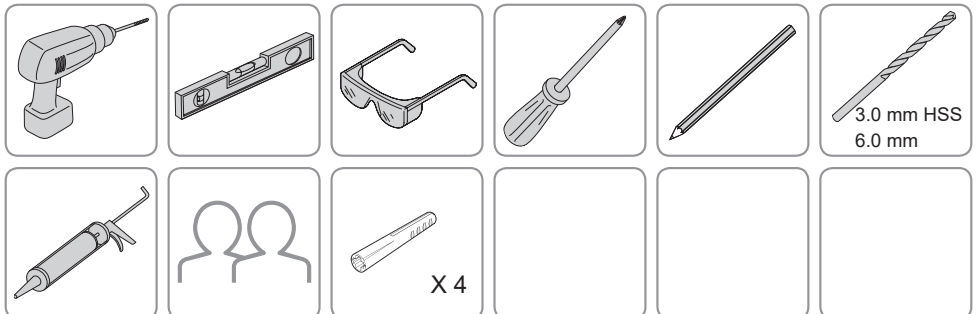
For **non-domestic installations**, we guarantee the product against any defect in materials or workmanship for a period of one year from the date of purchase.

For terms and conditions refer to the back cover of this guide.

RECOMMENDED USAGE

| | |
|------------------|---|
| Domestic | ✓ |
| Light Commercial | ✓ |
| Heavy Commercial | ✗ |
| Healthcare | ✗ |

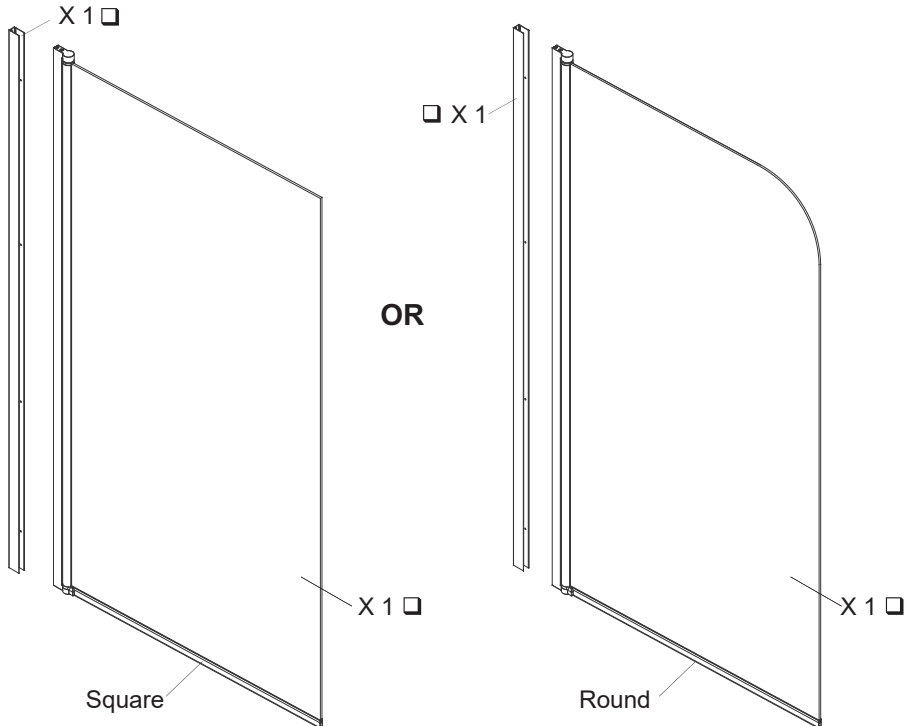
TOOLS REQUIRED



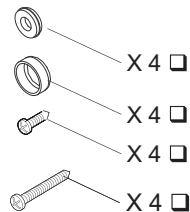
PACK CONTENTS

Tick the appropriate boxes to familiarise yourself with the part names and to confirm that all of the parts are included.

Single Panel Round/Square



Note: Wall plugs are not supplied.

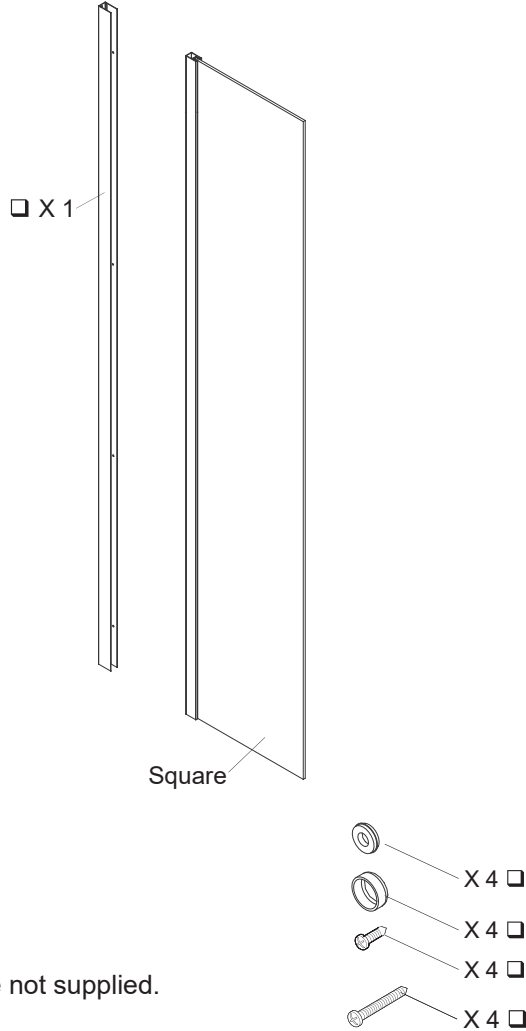


Documentation

- 1 x Guarantee Registration Document
- 1 x Installation Manual

PACK CONTENTS

Static Panel

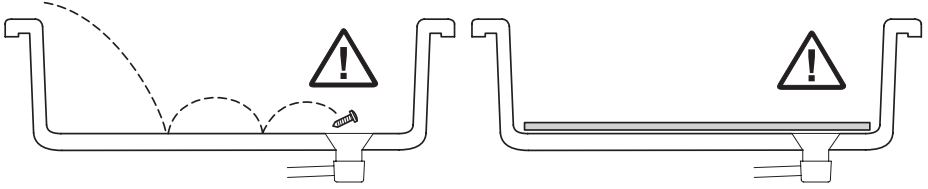


Note: Wall plugs are not supplied.

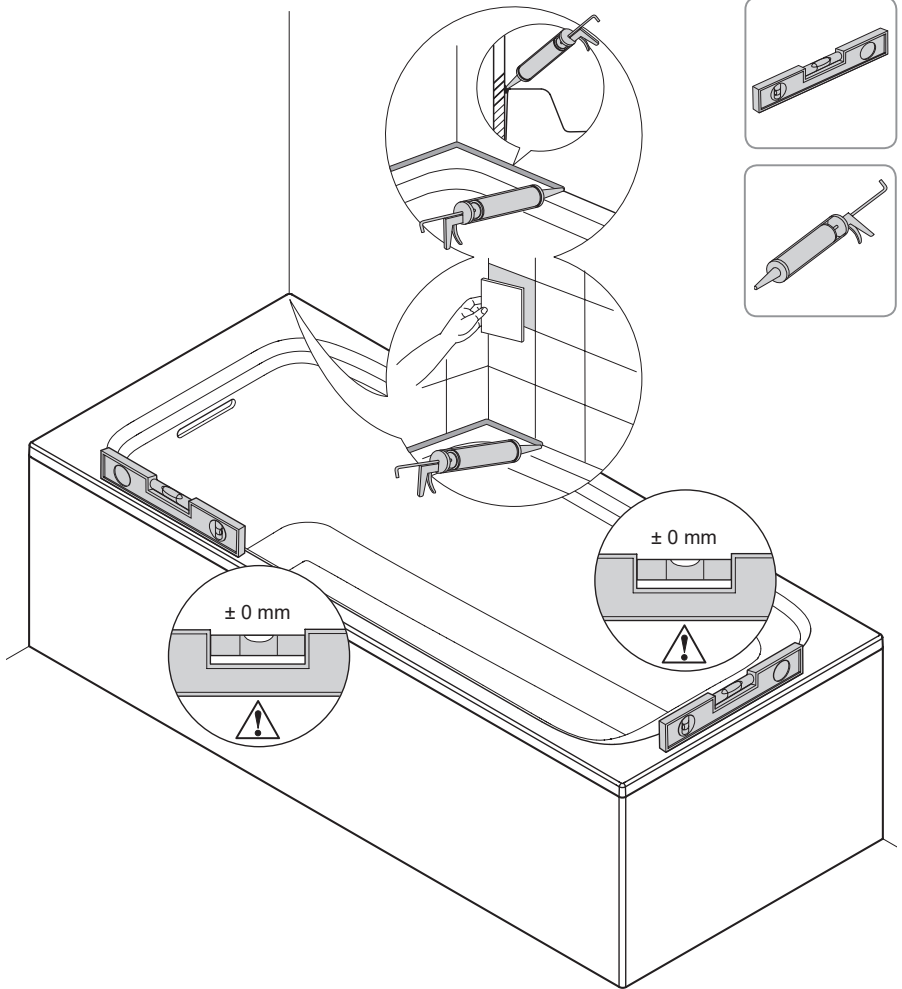
Documentation

- 1 x Guarantee Registration Document
- 1 x Installation Manual

INSTALLATION

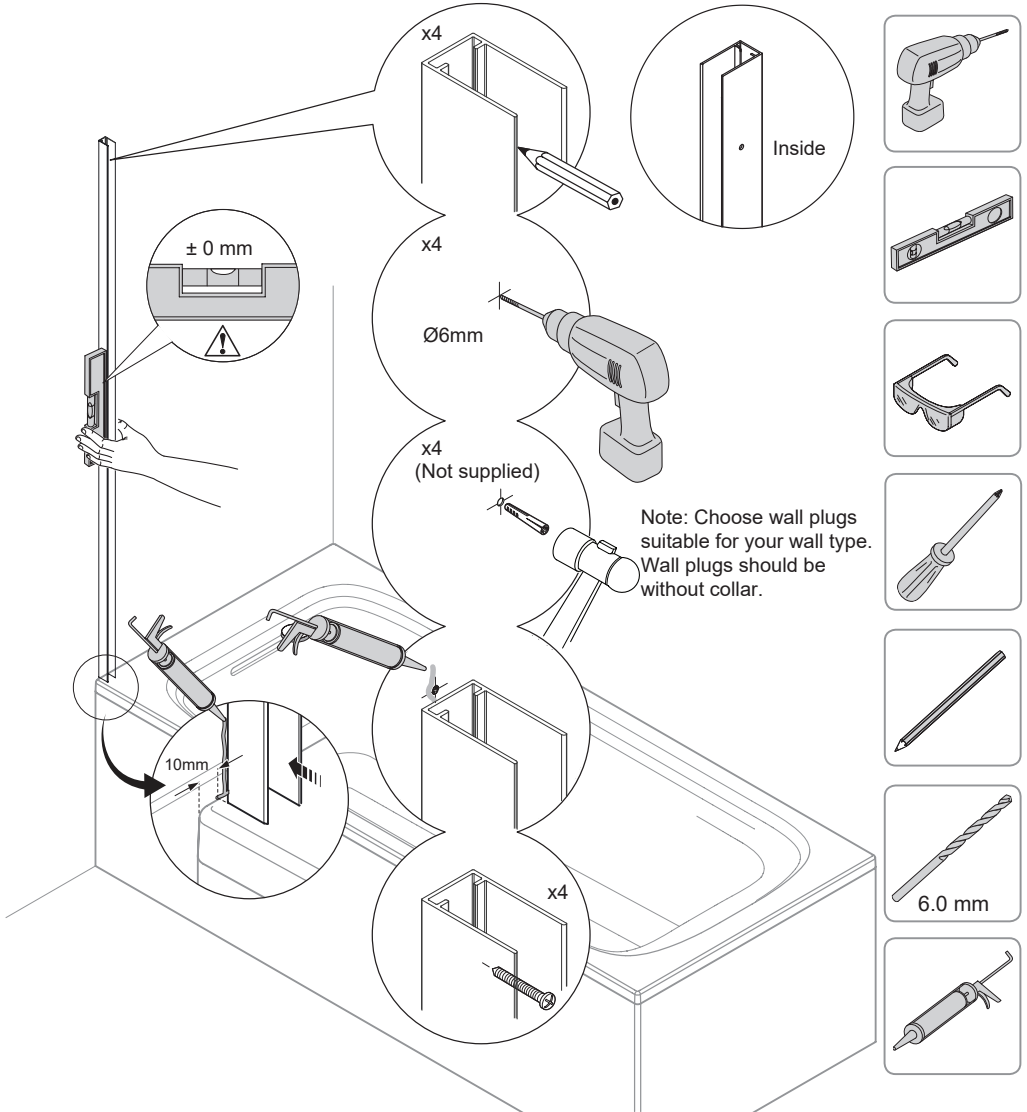


1



Note! Tile down on top of the bath and seal around the edge. Make sure the bath is level across all axis.

2 Single Panel Round/Square



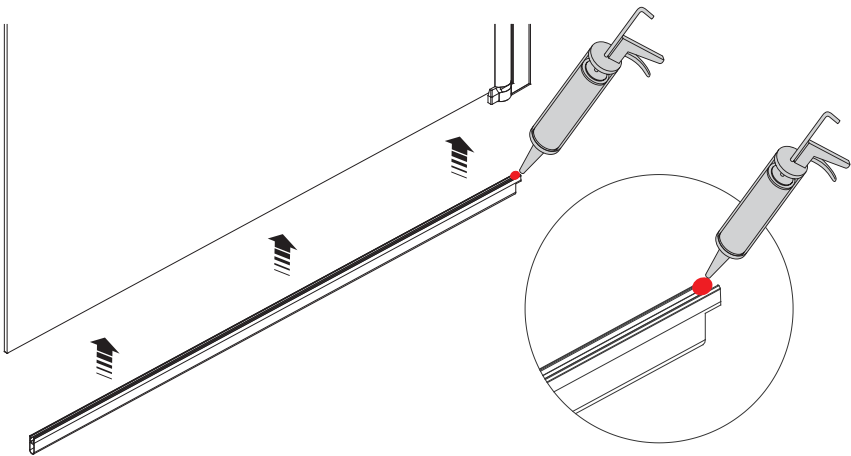
- (a) Position the wall channel on the wall. Using a spirit level make sure that it is upright.
- (b) Mark the position of the fixing holes, then remove the wall channel.
- (c) Drill with a 6 mm masonry bit (not supplied) and plug using the wall plugs (not supplied).
- (d) Position the wall channel on the wall and partially install the fixing screws.
- (e) Apply silicone sealant according to the manufacturers instructions along the length of the wall and at the bottom of the wall channel.
- (f) Fully tighten the fixing screws, making sure that the wall channel is upright.

3

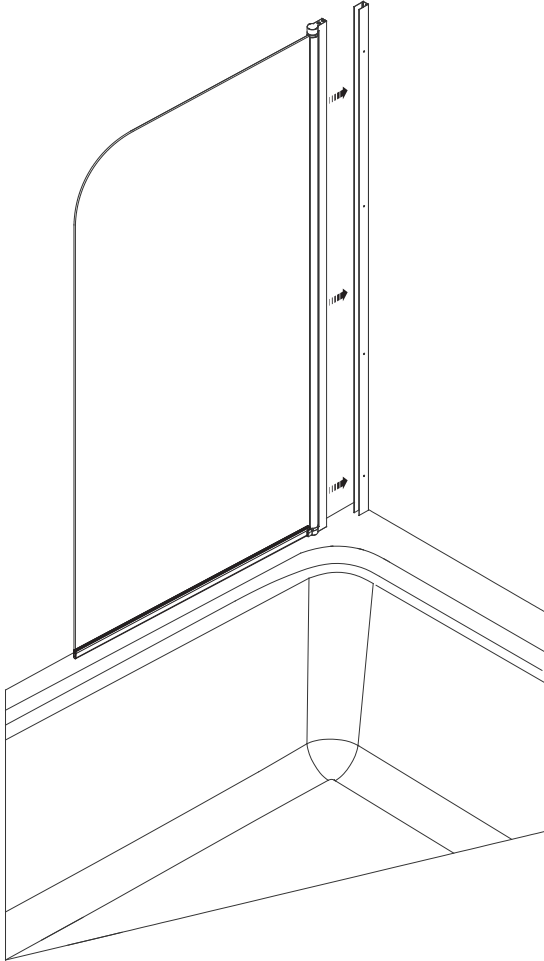
Install horizontal seal

Push the horizontal seal onto the bottom of the glass, the cut out end going towards the wall.

Ensure the seal is correctly engaged into the pivot block.

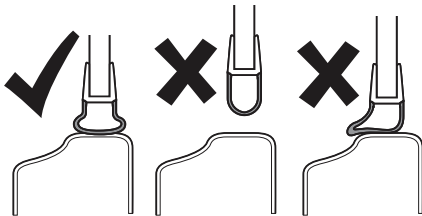


4



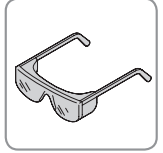
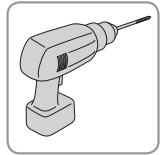
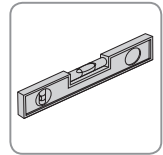
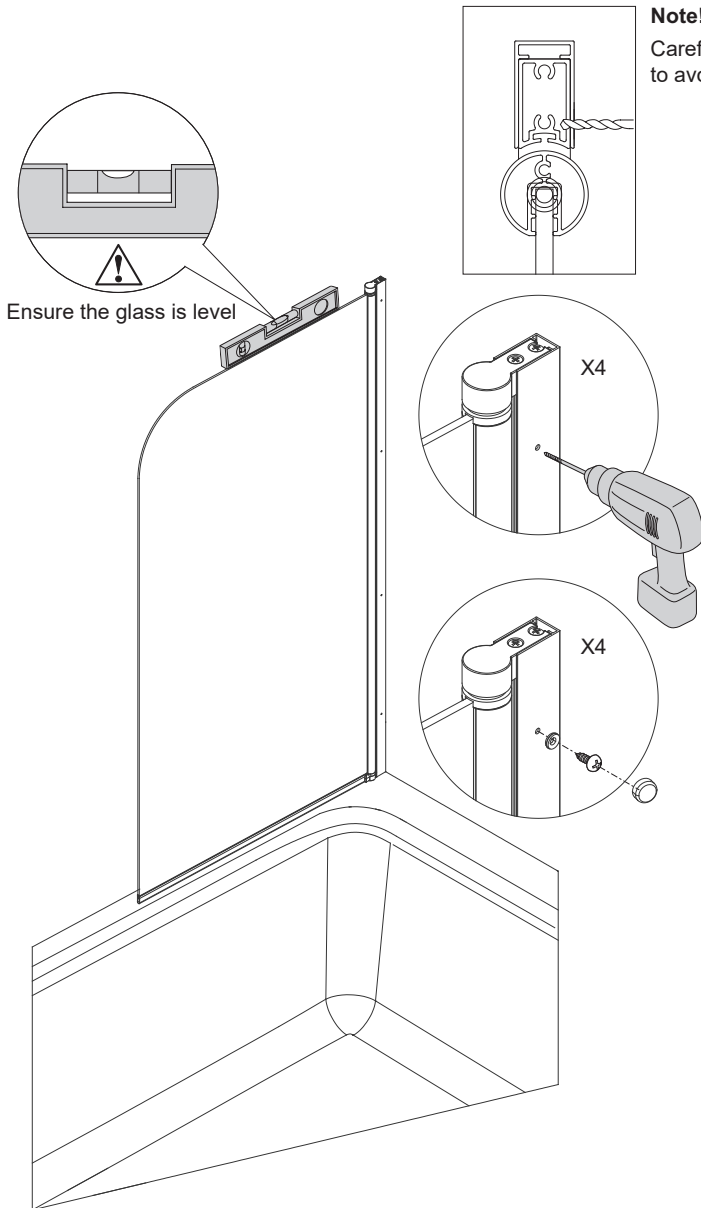
Apply a small amount of silicone sealant at the bottom of the wall channel before you install the bathscreen.

Seal compression should be as illustrated



Note: The horizontal seal should accommodate most baths but many bath rims are uneven, you can adjust the seal to give an even compression along the bath to eliminate any gaps.

5

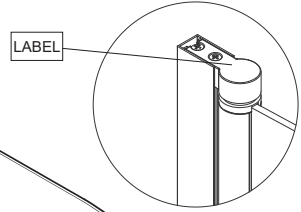
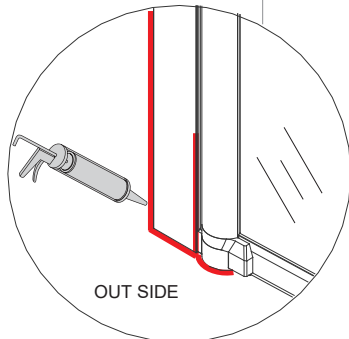
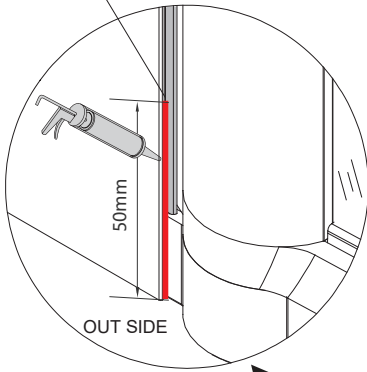


6

Note! There is an ID label on the top of the screen. DO NOT remove this.

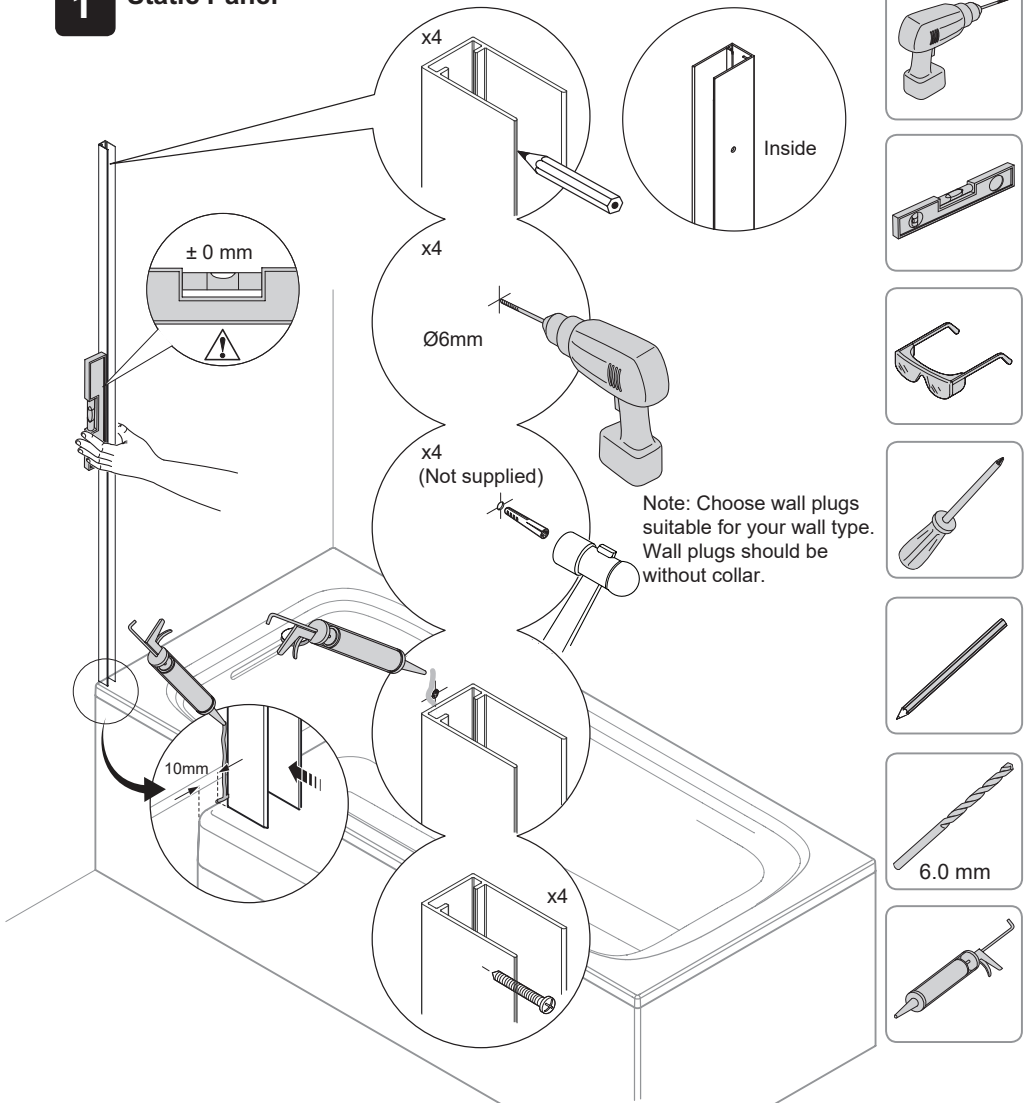


Run a bead of silicone sealant 50mm up the vertical join line where the channels meet on the outside.



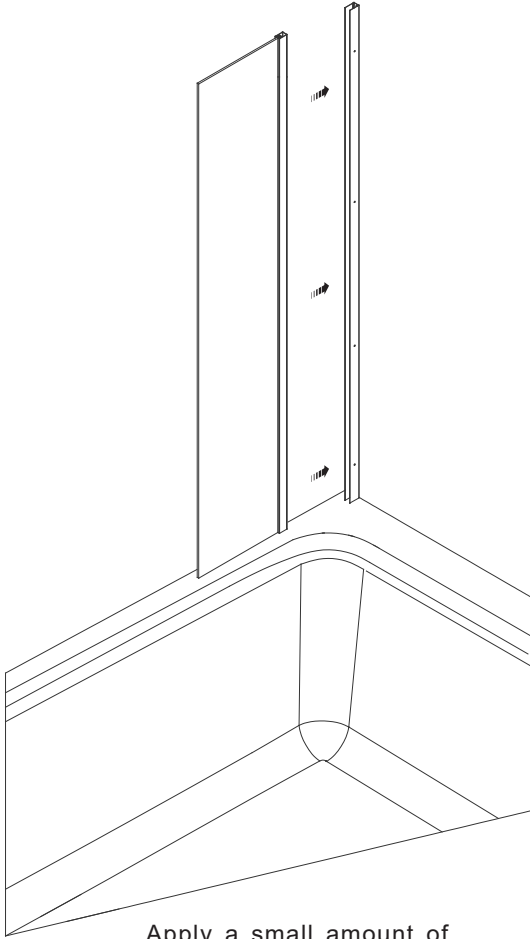
INSTALLATION

1 Static Panel

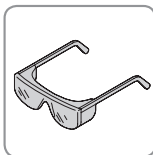
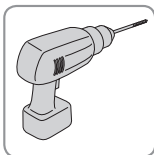


- Position the wall channel on the wall. Using a spirit level make sure that it is upright.
- Mark the position of the fixing holes, then remove the wall channel.
- Drill with a 6 mm masonry bit (not supplied) and plug using the wall plugs (not supplied).
- Position the wall channel on the wall and partially install the fixing screws.
- Apply silicone sealant according to the manufacturers instructions along the length of the wall and at the bottom of the wall channel.
- Fully tighten the fixing screws, making sure that the wall channel is upright.

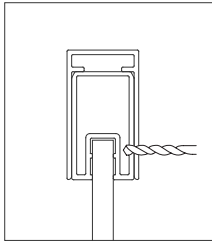
2



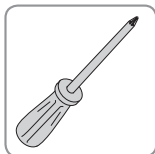
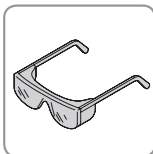
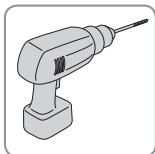
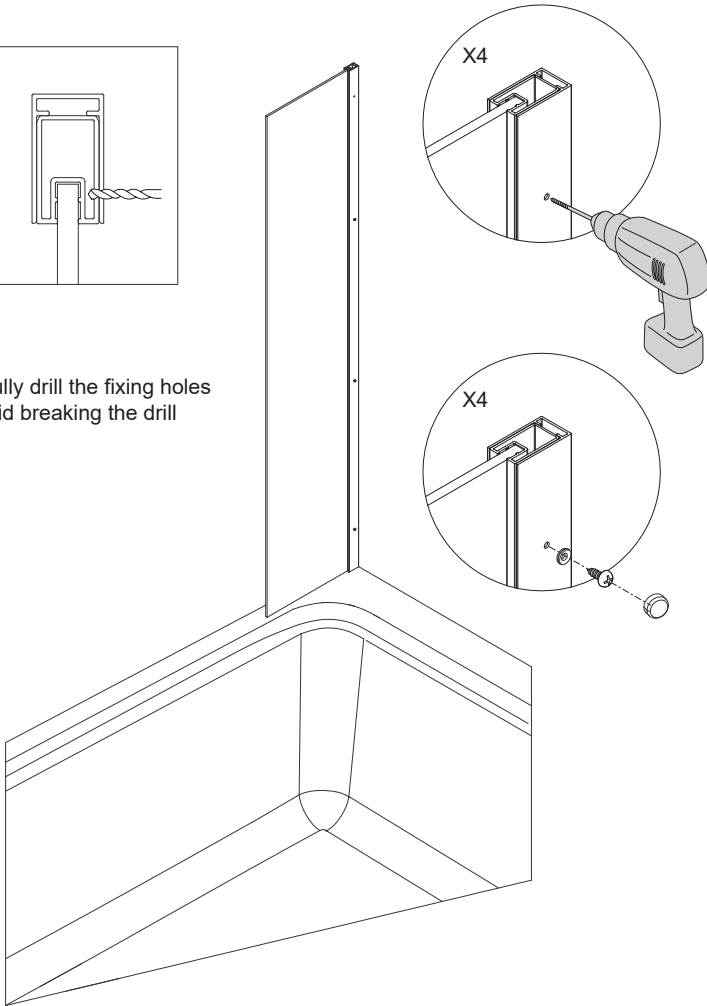
Apply a small amount of silicone sealant at the bottom of the wall channel before you install the panel.



3

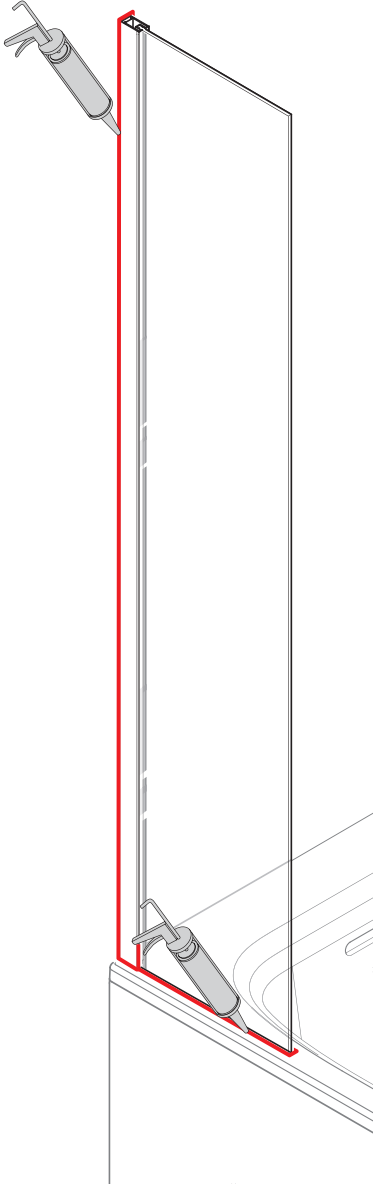
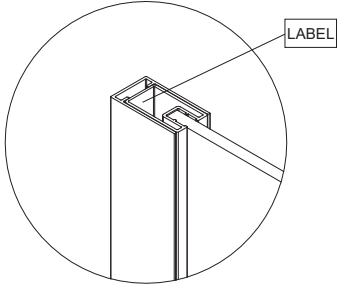
**Note!**

Carefully drill the fixing holes to avoid breaking the drill

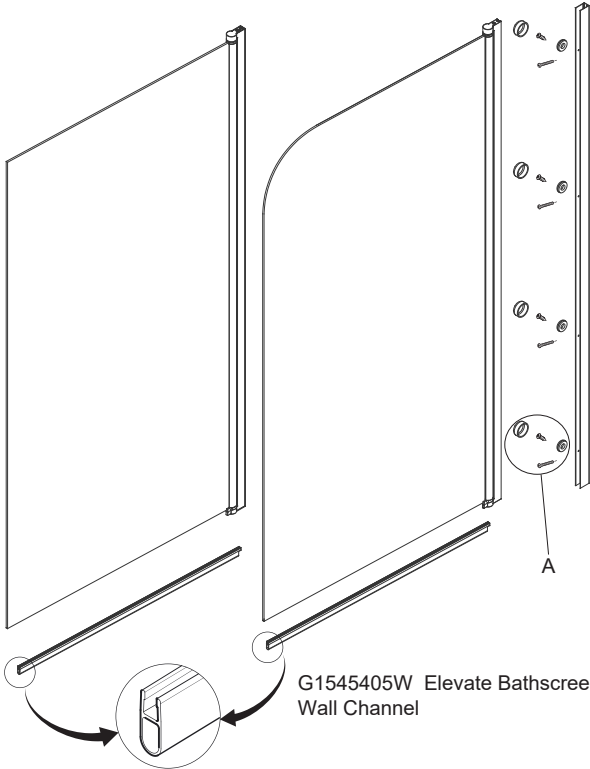


4

Note! There is an ID label on the top of the screen.
DO NOT remove this.



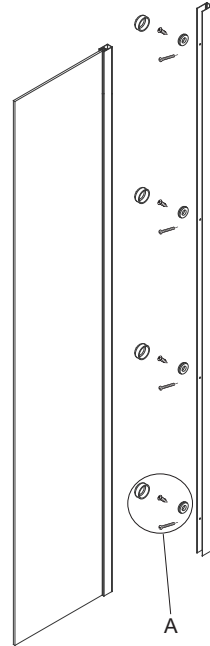
SPARE PARTS



G1545405W Elevate Bathscreen Wall Channel

G1545399W Horizontal Bottom Seal x1 or
 G1545400W Horizontal Bottom Seal x1 - Deeper seal for uneven bath edge

G1545401W Panel Fixing Pack - Components Identified 'A'



G1545405W Elevate Bathscreen Wall Channel

G1545401W Panel Fixing Pack - Components Identified 'A'

MAINTENANCE

General Maintenance

Providing the bathscreen has been correctly installed and is operated in accordance with the instructions contained in this guide, difficulties should not arise.

If any maintenance is required then it must be carried out by a competent tradesperson to whom the maintenance instructions are provided.

Before replacing any parts ensure the underlying cause of the malfunction has been resolved.

Cleaning

Warning! The use of grout/tile cleaners, scale removers, abrasive scourers, drain unblockers and other powerful detergents may lead to damage of metallic, plated and plastic surfaces.

Avoid the use of 'spray and leave' cleaners. Any cleaner used should have a pH level between 4 and 8 and immediately wiped dry using a soft cloth.

Care

To preserve the beauty of your bathscreen for many years, please observe the following care instructions:

Rinse glass and frame with clear water after showering. Remove water droplets with a squeegee. **Do not rub dry!** To clean your shower hygienically and easily, we recommend the use of a biodegradable cleanser.

Regular cleansing with a biodegradable cleanser prevents stubborn stains and ensures a clean and hygienic surface for many years. Do not use scouring or caustic cleansers under any circumstances! These can damage the surface of the frame, glass and decorative parts as well as the plastic parts.

Chrome Parts

Use only cleansers expressly specified for chrome!

NOTES

DECLARATION OF PERFORMANCE

KOHLER®

Declaration of Performance

Unique identification code of the product type:

Kohler Mira Elevate Bath Screens

For product number please see list below.

Intended Use: Personal hygiene (PH)

Name and address of the manufacturer:

Kohler Mira Ltd
Cromwell Road
Cheltenham
Gloucestershire
GL52 5EP

Name and address of the EU importer:

K/E S.A.S.
3 rue de Brennus
93631
La Plaine Saint-Denis CEDEX
France

Telephone: 0844 571 1777

System of assessment: System 4
Type testing / Factory production control



Harmonised Standard: EN 14428:2015+A1:2018 (E)
Shower enclosures – Functional requirements and test methods

Declared Performance:

| Essential Characteristics | Performance | Harmonised standard |
|---------------------------|-------------|---------------------------|
| Cleanability (CA) | Pass | EN 14428:2015+A1:2018 (E) |
| Impact resistance (IR) | Pass | |
| Durability (DA) | Pass | |

The performance of the product identified above is in conformity with the set of declared performance. This declaration of performance is issued, in accordance with Regulation (EU) No 305/2011, under the sole responsibility of the manufacturer identified above.

Signed for and on behalf of the manufacturer by:

Name, function: **Jon Barfield, Senior Project Leader**
Place and date of issue: **Cheltenham, England, United Kingdom** on **15/12/22**
Signature:

DoP No.: CE0160

DECLARATION OF PERFORMANCE



Declaration of Performance

Unique identification code of the product type:

Kohler Mira Elevate Bath Screens

For product number please see list below.

Intended Use: Personal hygiene (PH)

Name and address of the manufacturer:

Kohler Mira Ltd
Cromwell Road
Cheltenham
Gloucestershire
GL52 5EP

Name and address of the UK importer:

Kohler Mira Ltd
Cromwell Road
Cheltenham
GL52 5EP

Telephone: 0844 571 1777

System of assessment: System 4
Type testing / Factory production control




Harmonised Standard: EN 14428:2015+A1:2018 (E)
Shower enclosures – Functional requirements and test methods

Declared Performance:

| Essential Characteristics | Performance | Harmonised standard |
|---------------------------|-------------|---------------------------|
| Cleanability (CA) | Pass | EN 14428:2015+A1:2018 (E) |
| Impact resistance (IR) | Pass | |
| Durability (DA) | Pass | |

The performance of the product identified above is in conformity with the set of declared performance. This declaration of performance is issued, in accordance with Regulation (EU) No 305/2011, under the sole responsibility of the manufacturer identified above.

Signed for and on behalf of the manufacturer by:

Name, function: [Jon Barfield, Senior Project Leader](#)
Place and date of issue: Cheltenham, England, United Kingdom on [15/12/22](#)
Signature: 

DoP No.: CE0160

DECLARATION OF PERFORMANCE

KOHLER®

| Product No. | Name | Essential characteristics |
|-------------|-------------------------------------|---------------------------|
| 2.1814.107 | Elevate Hinged Bath Screen (Square) | IR – CA - DA |
| 2.1814.108 | Elevate Hinged Bath Screen (Curved) | IR – CA - DA |
| 2.1814.109 | Elevate Static Bath Panel | IR – CA - DA |

CE 22

Kohler Mira Ltd
Cromwell Road
Cheltenham
Gloucestershire
GL52 5EP

ELEVATE BATH SCREENS
PH
EN 14428
CA-IR-DA

CUSTOMER SERVICE

Guarantee

Your product has the benefit of our manufacture's 10 year guarantee (1 year for any commercial installations) which starts from date of purchase. **Note!** door seals, gaskets and magnets are guaranteed for 3 years only.

To activate this guarantee, please visit our website within 30 days of purchase (UK only).

Within the guarantee period we will resolve defects in materials or workmanship by either repairing the product, providing new goods and parts to you in replacement or refunding (up to but not in excess of) the original purchase price, as we may choose.

This guarantee is in addition to your statutory rights and is subject to the following conditions:

- The guarantee applies solely to the original installation under normal use and to the original purchaser only. The product must be installed and maintained in accordance with the instructions given in this user guide. The product must be inspected and issues reported before installation.
- Servicing must only be undertaken by us or our appointed representative. **Note!** if a service visit is required the product must be fully installed and connected to services.
- Repair under this guarantee does not extend the original expiry date. The guarantee on any replacement parts or product ends at the original expiry date.
- For trims, handles or consumable items we reserve the right to supply replacement parts only.

The guarantee does not cover:

- Call out charges for damage or defects caused by incorrect installation, frost damage, mildew, limescale, corrosion, lack of maintenance, improper use, inappropriate cleaning (please refer to our Care and Maintenance Instructions) or where no fault has been found with the product.
- Accidental or wilful damage.
- Compensation for loss of use of the product or consequential loss of any kind.
- Damage or defects caused if the product is repaired or modified by persons not authorised by us or our appointed representative.
- Wear and Tear.
- Glass breakage or the coating on the glass. By its nature all glass has the potential to shatter therefore we only use toughened safety glass.
- Products purchased ex-showroom display.

Note! Integrated shower systems are subject to a separate guarantee.

IMPORTANT! Enclosures must be inspected for defects prior to installation. This Guarantee does not cover the costs of removal and/or reinstallation where a defect would have been discovered by inspection prior to installation.

What to do if something goes wrong

If your product does not function correctly when you first use it, contact your installer to check that it is installed in accordance with the instructions in this manual.

If this does not resolve the issue, contact our Customer Services Team who will offer you or your installer help and advice.



Helpdesk Service

- Our Customer Services Team is comprehensively trained and can offer help and advice, spare parts, accessories or a service visit. You will need to have your model name, model number and date of purchase.



Mira Showers Website (www.mirashowers.co.uk)

From our website you can register your guarantee, download additional user guides, diagnose faults, purchase our full range of accessories and popular spares, refer to our FAQ's and request a service visit.



Spares and Accessories

- We hold the largest stocks of genuine Mira spares and accessories. Contact us for a price or visit our website to purchase items from our accessory range and popular spares.



Service/Repairs

- No one knows our products better than our nationwide team of Service Technicians. We can carry out service or repair work to your product both during and after the guarantee period. Ask about our fixed price service repairs.

To Contact Us: UK



0800 001 4040



Email – Visit

www.mirashowers.co.uk/contactus



By Post: **Mira Customer Services Dept, Cromwell Road, Cheltenham, Gloucestershire GL52 5EP**

CE22

Kohler Mira Ltd
Cromwell Road
Cheltenham
Gloucestershire
GL52 5EP

ELEVATE BATH SCREENS
PH
EN 14428
CA-IR-DA

Mira is a registered trade mark of
Kohler Mira Limited.

The company reserves the right to alter
product specifications without notice.

Registered Office:
Cromwell Road,
Cheltenham,
Gloucestershire
GL52 5EP

EU Importer address
K/E S.A.S
3 rue de Brennus,
93631, La Plaine Saint-Denis,
France



mira
SHOWERS