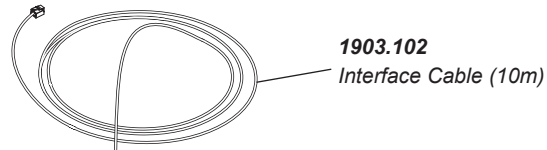
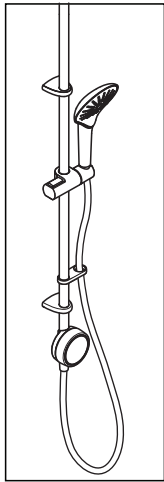


# Mira Activate

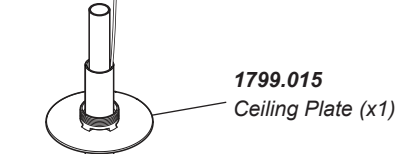
Shower Fittings & User Interface



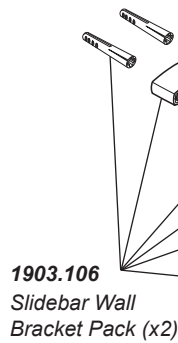
1.XXXX.XXX Activate Ceiling Fed



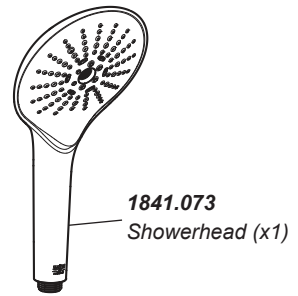
**1903.102**  
Interface Cable (10m)



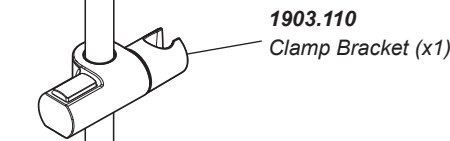
**1799.015**  
Ceiling Plate (x1)



**1903.106**  
Slidebar Wall  
Bracket Pack (x2)



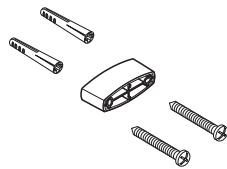
**1841.073**  
Showerhead (x1)



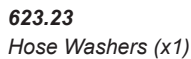
**1903.110**  
Clamp Bracket (x1)



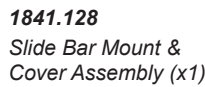
**1903.109** Bezel Chrome (x1)



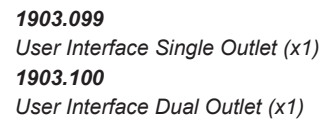
**1841.126**  
Hose Retaining Ring (x1)



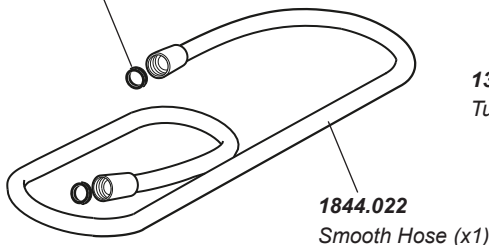
**623.23**  
Hose Washers (x1)



**1841.128**  
Slide Bar Mount &  
Cover Assembly (x1)



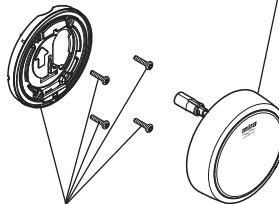
**1903.099**  
User Interface Single Outlet (x1)  
**1903.100**  
User Interface Dual Outlet (x1)



**1844.022**  
Smooth Hose (x1)



**1392569**  
Tube Retainer Clip (x1)



**1903.101**  
User Interface Wall  
Mount Fixing Pack (X1)

Mira Digital mixing showers are provided with five years warranty and fittings with a one year warranty. Spare parts are available free of charge during that period with a valid proof of purchase. For showers outside of the warranty period, spare parts are available to purchase direct, alternatively we have Mira technicians who can repair your shower for you. For further information visit [www.mirashowers.co.uk](http://www.mirashowers.co.uk) or to check availability of spare parts for this shower or enquire about our repair service please contact our customer service on 0800 001 4040.

1460416-W8-A

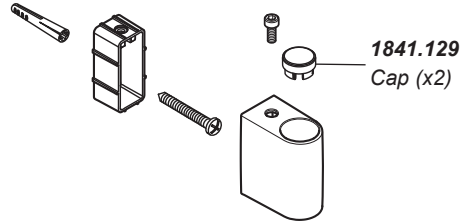
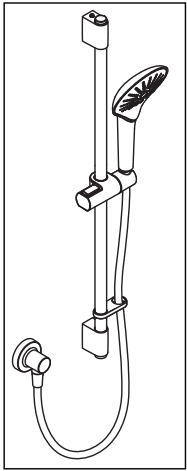


# Mira Activate

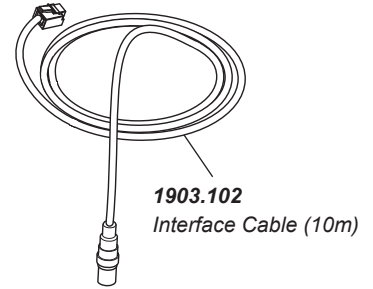
Shower Fittings & User Interface



1.XXXX.XXX Activate Rear Fed



**1841.129**  
Cap (x2)



**1903.102**  
Interface Cable (10m)



**1903.101**  
User Interface Wall  
Mount Fixing Pack (x1)

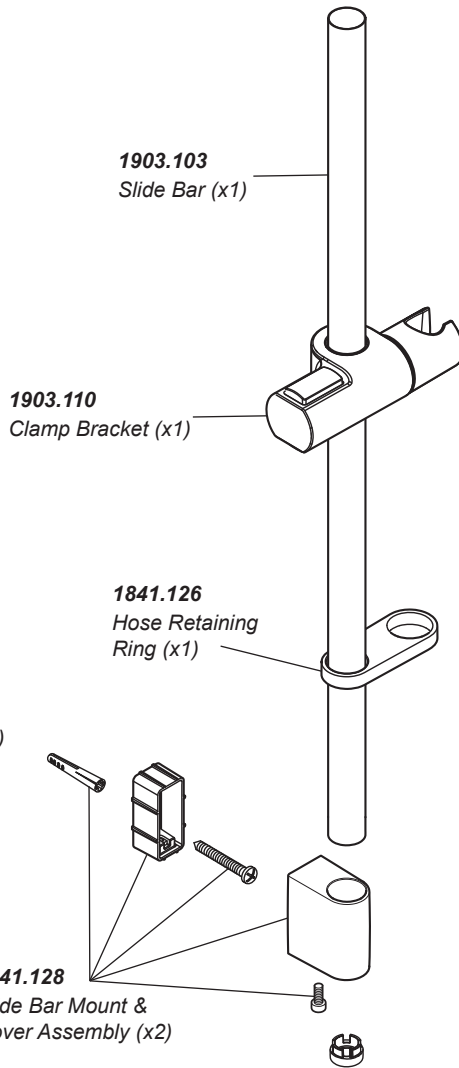


**1903.099**  
User Interface Single Outlet (x1)

**1903.100**  
User Interface Dual Outlet (x1)



**1903.109** Bezel Chrome (x1)

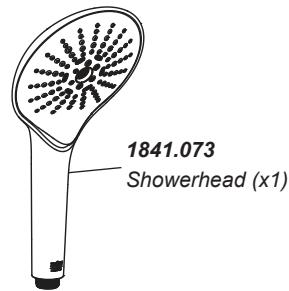


**1903.103**  
Slide Bar (x1)

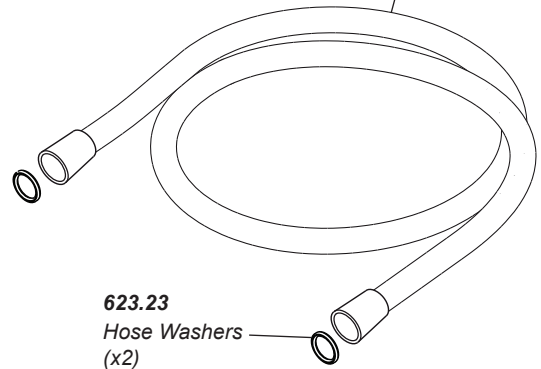
**1903.110**  
Clamp Bracket (x1)

**1841.126**  
Hose Retaining  
Ring (x1)

**1841.128**  
Slide Bar Mount &  
Cover Assembly (x2)

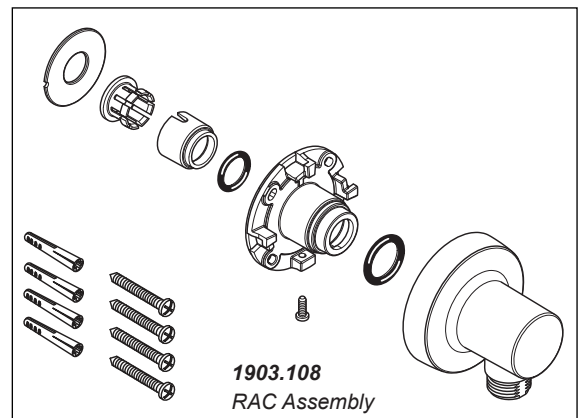


**1841.073**  
Showerhead (x1)



**1844.022**  
Smooth Hose (x1)

**623.23**  
Hose Washers  
(x2)



**1903.108**  
RAC Assembly

Mira Digital mixing showers are provided with five years warranty and fittings with a one year warranty. Spare parts are available free of charge during that period with a valid proof of purchase. For showers outside of the warranty period, spare parts are available to purchase direct, alternatively we have Mira technicians who can repair your shower for you. For further information visit [www.mirashowers.co.uk](http://www.mirashowers.co.uk) or to check availability of spare parts for this shower or enquire about our repair service please contact our customer service on 0800 001 4040.

1460416-W8-A

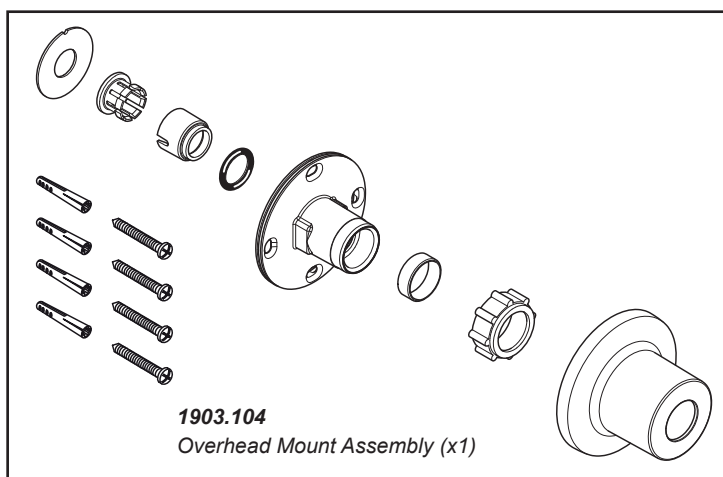
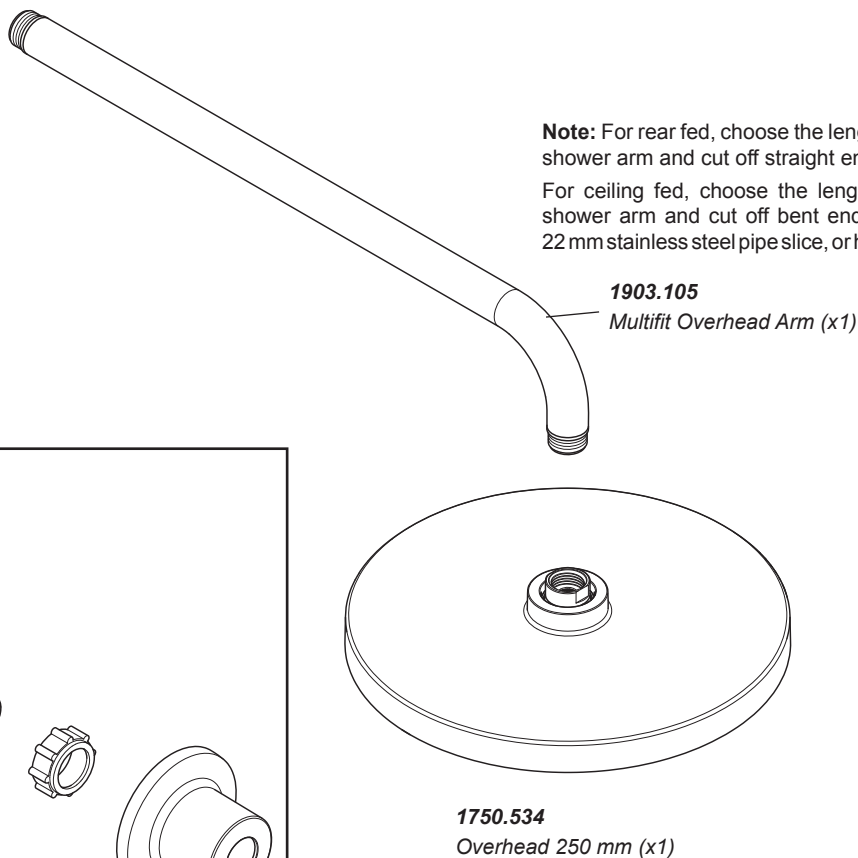
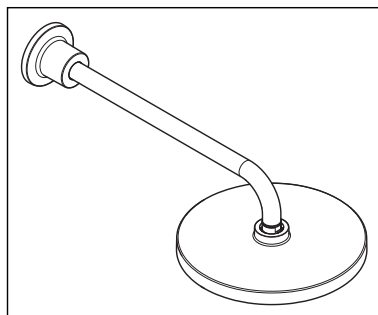
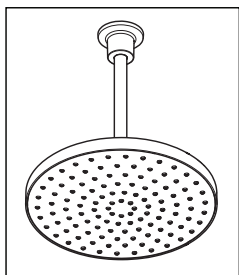


# Mira Activate

Shower Fittings & User Interface



1.XXXX.XXX | Mira Activate Overhead Fitting Kit (Dual Outlet models only)



Mira Digital mixing showers are provided with five years warranty and fittings with a one year warranty. Spare parts are available free of charge during that period with a valid proof of purchase. For showers outside of the warranty period, spare parts are available to purchase direct, alternatively we have Mira technicians who can repair your shower for you. For further information visit [www.mirashowers.co.uk](http://www.mirashowers.co.uk) or to check availability of spare parts for this shower or enquire about our repair service please contact our customer service on 0800 001 4040.

1460416-W8-A

