



A fully qualified and competent person should install this product.

### **Tools Required (not supplied)**

Pencil; Tape measure; Screwdriver appropriate to fixings; Spirit level; Drill; Masonry drill bit appropriate to fixings, Ceramic drill bit (optional) appropriate to fixings.

### **Home Safety Advice**

- It is recommended that two people fit this product to ensure that it is fitted safely.
- Always take care when using power tools, particularly in the bathroom.
- Always check for hidden cables and pipework before drilling and take extreme care if there is any water in the working area.
- It is advisable to use a residual current circuit breaker (RCCB).
- Always wear suitable eye protection when drilling.
- If the product is to be fitted on a ceramic tiled wall, a ceramic drill bit should be used.
- Always ensure that the drill hole passes through the central tiled area rather than through the grouted area. To prevent damage to the tile, mask the area around the hole with tape before drilling.
- Do not strike the product with hard or sharp objects.
- Warning! This product has been designed as a seat only and should not be used for any other purposes.

Maximum Weight – 160 kg evenly distributed about the seat.

### **Product Location**

Shower seats are only as strong as the wall to which they are fixed and the fixings that are used. For different wall types you will need to ensure that you are using the correct type of fixing for the material of the wall. The addition of backboards on the outside of the wall or appropriate strengthening of internal structures may be required to provide adequate wall strength.

### **Product Care**

To retain the best quality finish, clean product regularly with a soft damp cloth. Do not use abrasive or chemical cleaners as these will damage the product. Dry the shower seat after use.

Note: If the wall is made of lightweight thermal blocks, aerated hollow brickwork, or prefabricated partitions, even the most appropriate fixings may not be able to withstand the loads which can be suddenly applied to shower seats.

### **Recycling and disposal**

Please recycle the packaging in accordance with your local government regulations on waste handling and follow the same advice at the end of the products' life.

For more Information

Visit: [victorianplumbing.co.uk](http://victorianplumbing.co.uk)

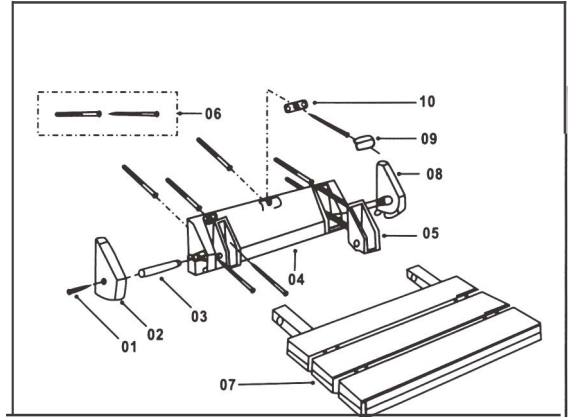
V1.12.2022

## Shower Seat- Installation instructions

Please read these Installation Instructions before installing this product to prevent installation and/or in use problems.

### Part List

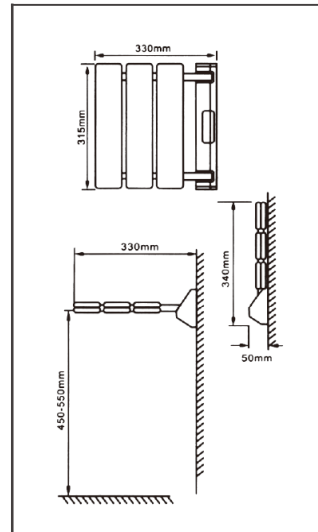
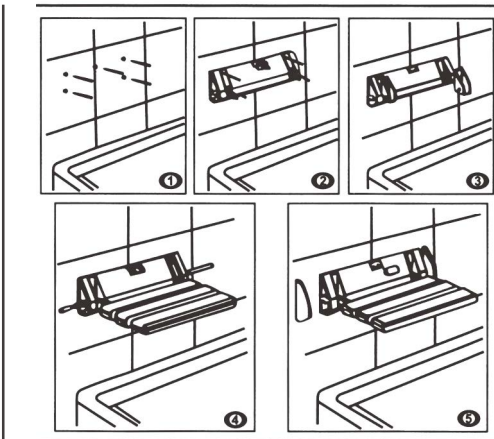
01	Countersunk Screw	2
02	Left End Cover	1
03	Stainless Steel Pin	2
04	Wall Bracket	1
05	Bracket Insert	2
06	Wall Fixings (5 Required)	
07	Seat	1
08	Right End Cover	1
09	Centre Cover	1
10	Centre Cover Fixing Clip	1



### Note

Please ensure you select the correct wall fixings to suit your application and wall type ensuring correct weight bearing capability.

### Installation Steps



1. Position the wall bracket (04) onto the wall at the desired height (Recommended height is 450mm to 550mm). Using a spirit level check the bracket for level prior to marking fixing hole positions on the wall. Using the correct size drill bit for your chosen fixings drill and insert raw plugs.
2. Reposition the wall brackets [04] and fix to the wall using your 5 screws. Before fitting the middle screw position the center cover fixing clip [10].
3. Push the two bracket inserts [05] into the wall bracket [04].
4. Assemble the seat [07] into the bracket inserts [05] and insert the two stainless steel pins [03] one from each side, ensuring that you insert the chamfered end first.
5. position and fix the two end covers [02 & 08] using the two screws [01] provided. Push into position the centre cover [09] onto the centre cover fixing clip [10].