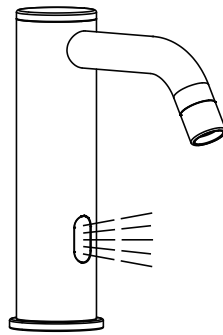


Product parameters:

Power	DC6V section No.5 alkaline battery
Power Consumption In Static	≤ 0.5 mW
Inductive Distance	10 ~ 14 cm
Suggest Water Pressure	0.5 ~ 5 Bar
Ambient Temperature	0.1 ~ 45°C
Water Temperature	0 ~ 70°C
Supply Pipe Size	G1/2"



Operation Notice:

1. The following situation may occur filter impurities accumulation.
2. The product is used between water pressure 0.5-5Bar, water temperature 0-70°.
3. Regularly clean the surface of faucet in neutral wash solution. then dry it with a piece of soft cotton cloth to keep it bright.
4. Alkaline battery 1.5V No.5 used.

Installing steps(Figure I).

- 1, All the parts 6 , 5 , 4 , 3 disassembled from the tap body 1.
- 2, The a end of the G1/2" Outlet pipe 2 pass through flange 3 , then install into the M10x1 inlet hole of tap body 1 (Tighten with wrench). The flange 3 install to tap body 1 tightly.
- 3, Put the rubber washer 4 into flange 3 , then b end of G1/2" Outlet pipe 2 , and Power output socket 7 pass through the Mounting hole of the basin. Then the flange 3 put into the Mounting hole of the basin, put on the rubber washer 5 at the bottom of the basin. Screw the plastic nut 6 and tighten the tap body (Note the direction of the tap body).
- 4, Open the power box and load 4pcs Alkaline Batteries (user prepare the battery).
- 5, The b end of G1/2" Outlet pipe 2 connect with the outlet joint of controller box 10 . Connect 7 and 8 (note the position of the 4 holes), then lock the two parts by plastic nut 9.
- 6, Two plastic expansion screws 11 install into the wall, then the plastic fixed shelf 13 fixed on the wall by SS304 tapping screws 12 (note the position and height). then put the Controller box 10 into Plastic fixed shelf 13.
- 7, One end of G1/2" Inlet pipe 14 connect with the inlet joint of controller box 10 , another end connect with inlet valve.
- 8, Turn on water to check, check all the joints to make sure there is no leaks.

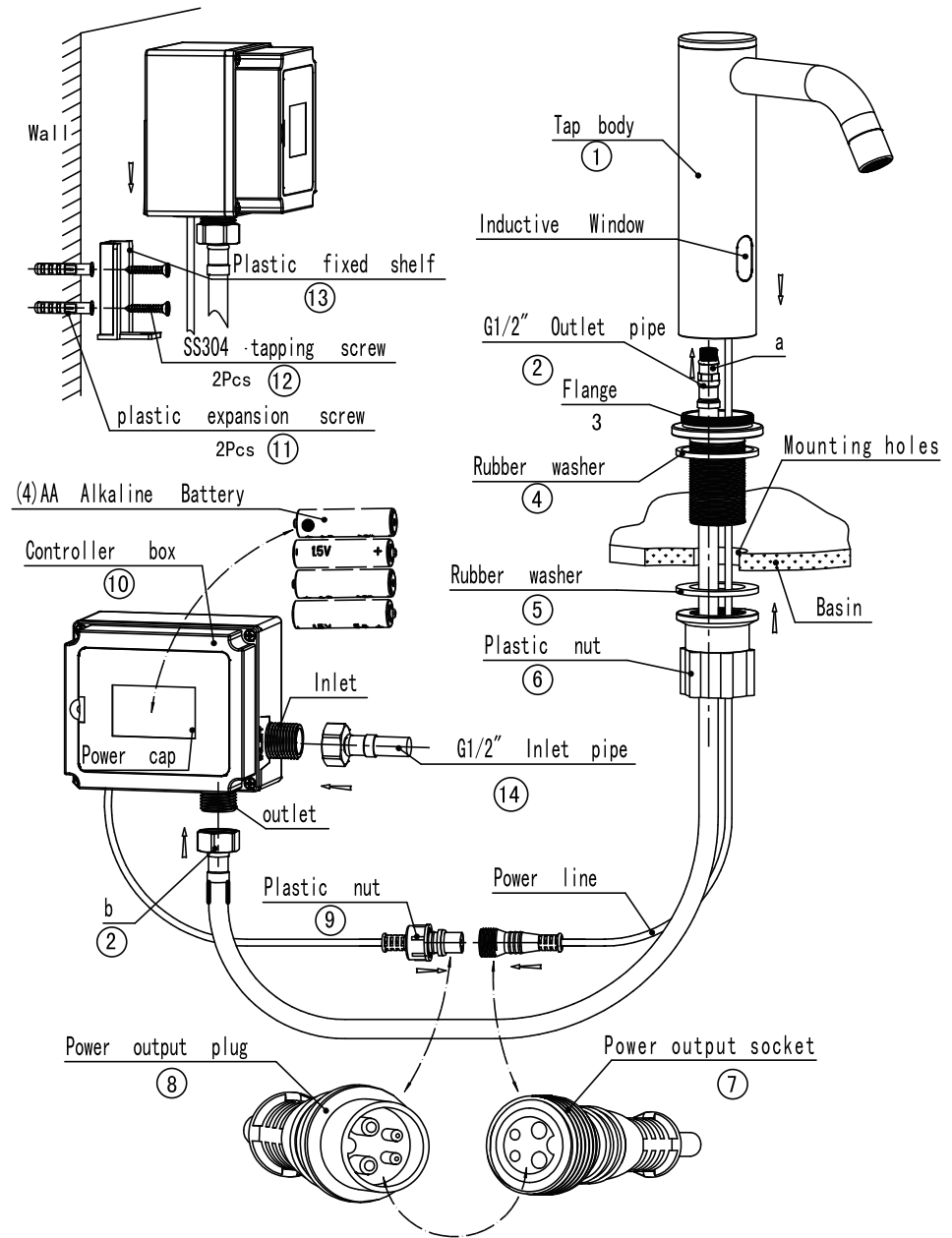
Victorian Plumbing

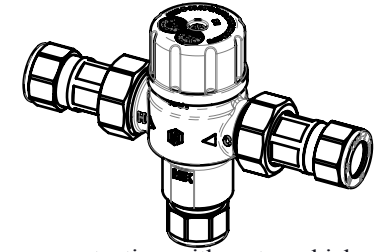
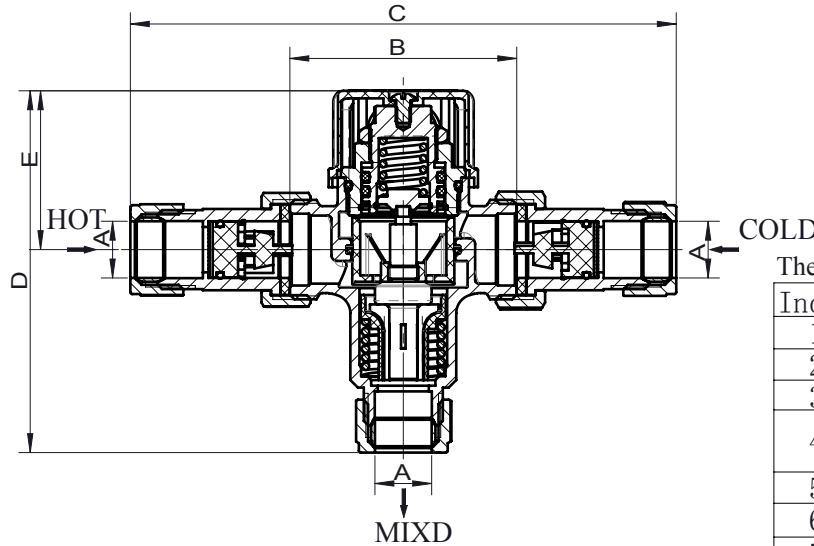
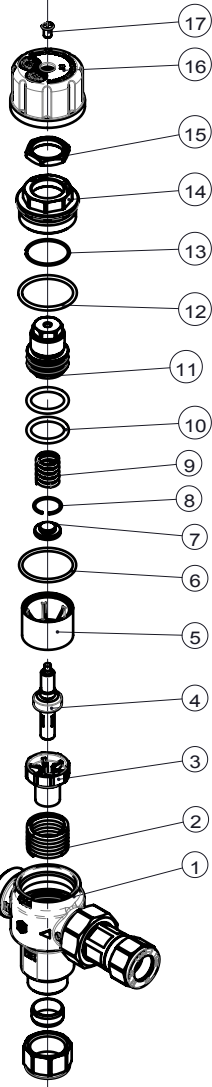
Diamond House.41, Stephenson Way. Formby Business Park Formby. England. L37 8EG

Tel: 0044 800 862 0878

Website: www.victorianplumbing.co.uk

● Figure I





The below parts are contacting with water which are noted by *

Index	Part name	Material	QTY
1	*valve body	CW602N	1
2	*spring	SUS304	1
3	*water flow directors	PSU	1
4	*thermostat	Subassembly	1
5	*piston	PSU	1
6	*O-ring	EP7118F	1
7	*block	CW602N	1
8	*circlip	SUS304	1
9	*spring	SUS304	1
10	*O-ring	EP7118F	2
11	*stem	CW602N	1
12	*o-ring	EP7118F	1
13	*circlip	SUS304	1
14	*bonnet	CW602N	1
15	Lock nut	CW617N	1
16	cap	ABS	1
17	screw	SUS201	1
18	*gasket	EP7118F	2
19	*check valve	acetal	2
20	*strainer	SUS304	2
21	*connect pipe	CW602N	2
22	union nut	CW617N	2
23	*compression olive	T2	3
24	union nut	CW602N	3

Performance

1. Cold water supply temperature: 5°C ~ 20°C
2. Hot water supply temperature: 56°C ~ 65°C
3. Temperature adjustment range: 30°C ~ 46°C
4. The thermostatic controller is supplied factory pre set at 42°C.
5. Accuracy of outlet temperature: ±2°C
6. Minimum temperature differential: 12°C (between hot supply and outlet temperature)
7. Supply pressure, static: 10bar
8. Supply pressure, dynamic: 5bar
9. Supply pressure imbalance dynamic: 2:1
10. Flow rate minimum: 4litres/min
11. Valve Specifications: ø15mm&ø22mm

Model	DN Size	A	B	C	D	E
24001158000	ø15	ø15	60	144.5	97	43
24001228000	ø22	ø22	63	157.5	99	43


4001

DWG.NO :	24001158003	EDITION	
	24001228003		A

TOLERANCE UNLESS DIMENSION GB/T 1804-m	(mm)	R^JRT] caXRXch
≤6	±0.1	Φ0.3
> 6~30	±0.2	
> 30~120	±0.3	
> 120~400	±0.5	

Mark	Times	Mod.No.	Signature	Date
DRAWN		Radman		2014. 11. 05
CHECKED		XGW		2014. 11. 05
PROCESSOR		LWF		2014. 11. 05
STANDARDIZATION		YSY		2014. 11. 05
APPROVED		YSY		2014. 11. 05

TITLE :	Thetmostatic Mixing Valve
MATERIAL:	

PROJECTION MEANS	PRIMO ANGLE	DRAWING UNIT	mm
DESIGN SIGN	G.W.	N.W.	SCALE
S A B	PAGE OF		
 YORHE 永和股份 Yorhe Fluid Intelligent Control Co.,LTD			

注:1、本图纸盖有样品章的只用于样品开发,不应用于正式生产。2、本图纸盖有受控章的,应用于正式生产。3、本图纸没有盖章为无效图纸。