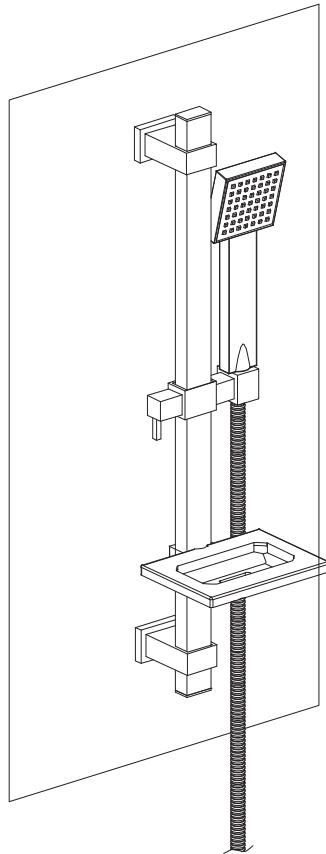




## Square Slider Rail Kit With Soap Dish



## Fitting Instructions

Please follow them carefully and  
leave this manual with end user

# Installation Guide

Before installation, please read this guide carefully.

1. We recommend that this product is installed by a qualified accredited tradesperson, Victorian Plumbing Ltd. accept no liability for products incorrectly installed, or where the correct testing procedures have not been adhered to, thus resulting in the escape of water and consequential damage.
2. Carefully inspect the product for damage. If any damage is found, immediately contact our Customer Relations Team.

