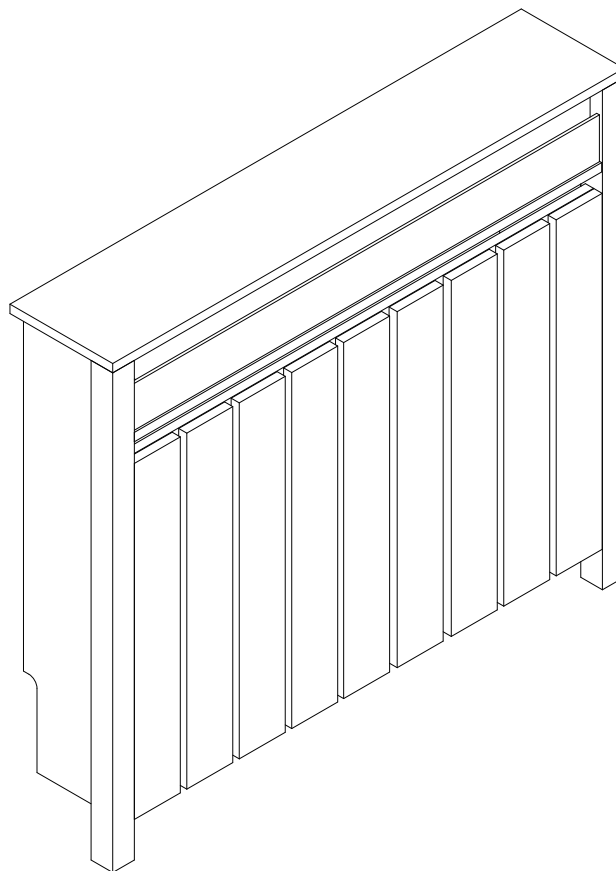


Hi There,

Meet your new
Lloyd Pascal

lloyd Est.
1919
pascal
we love home

Mini Radiator Cover with Drawer Wood Effect & Black



Customer Helpline

If you need help or have damaged or missing parts, contact our customer support team at customerservice@lloydpascal.com or visit our website at www.lloydpascal.co.uk

Assembly instructions- Please keep for future reference

200.67E.200M

Issue 2 - 15/06/2023

#welovehome

lloyd pascal

Est.
1919

we love home

Welcome to the Lloyd Pascal Family Established in 1919

We would love to see your new product in its new home. **Share your experience** by taking a photo or video of your new LP product and **post it on social media tagging** #welovehome #Lloydpascal #LPfurniture #LPHome

Connect with us: Using your mobile camera, scan the QR bar code below of your favourite social media channel and follow us!



Are you loving/satisfied with your new purchase?

Yes: That's perfect. **It would make our day** if you could leave us a **review on our social media channels.** Your feedback will help us develop even better products to love.

No: If for any reason your enjoyment of our product is on hold then **let the retailer** that you purchased your item from know or **contact us** and we will resolve your issue as quickly as possible.

To view our full terms and conditions please visit our website



Safety and Care Advice

IMPORTANT, RETAIN FOR FUTURE REFERENCE: READ CAREFULLY.

- Keep children and animals away from the work area small parts are a choking hazard if swallowed.
- Make sure you have enough space to layout the parts before starting.
- This product has been constructed to be used in the domestic environment only and not for commercial purposes.

- Assemble the item as close to its final position (in the same room) as possible.
- Assemble on a soft level surface to avoid damaging the unit or your floor.
- The surface should be protected from liquids, heat or cold by using a coaster or mat. The surface is not water resistant and may be damaged or discoloured if not protected.



hand screwdrivers.

- We do not recommend the use of power drill/drivers for inserting screws as this could damage the unit. Only use
- Parts of the assembly will be easier with 2 people.
- Dispose of all packaging carefully and responsibly.

Care and Maintenance.

- Only clean using a damp cloth and mild detergent. Do not use abrasive cleaners.

- From time to time check that there are no loose screws, nuts or bolts. If there are please re-tighten.

- This product should not be discarded with household waste. Take to your local authority waste disposal centre.

Additional Guidance

- Assemble all parts and bolts loosely during assembly, only once the product is complete should you fully tighten the bolts.
- Regularly check and ensure that all bolts and fittings are tightened properly.

WARNING

In order to help prevent overturning - please follow these instructions

To help prevent product toppling over please follow the steps below:

- Must use the anti tip strap or wall fixing method provided. (whichever applies.)
- Do not allow children to climb or hang on the furniture.
- Do not open more than one drawer at a time.
- Do not place heavy items in the top drawer.
- Do not place heavy items on top of the furniture unless the furniture has been designed for this purpose.

Please note that only the anti tip strap is provided. You will need to supply wall plugs and screws applicable for your wall type.

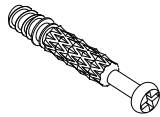
Fittings

Please check that you have all the fittings listed below:

NOTE: The quantities below are the correct amount to complete the assembly. In some cases more fittings may be supplied than required.

Bag 1

A



Cam Stud x 10

B



Cam Socket x 20

C



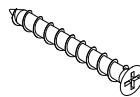
8Φ 30mm Dowel x 20

D



3.5Φ 14mm Screw x 8

H



5Φ 40mm Screw x 2

J



Cam Stud x 10

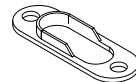
Hardware

E



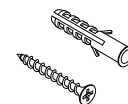
Drawer Stopper x 2

F



Keyhole Bracket x 2

G



Wall Fixing x 2

I



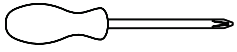
Bracket x 1

K



Protective Feet x 2

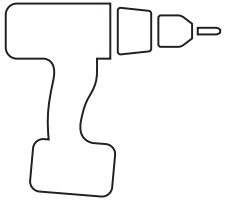
Tools required



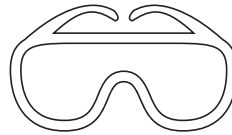
Crosshead screwdriver
(small & medium)



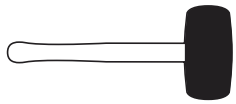
Spirit Level



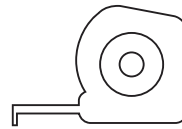
Power drill



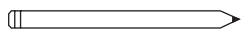
Eye protection
(When using a
hammer or mallet)



Mallet

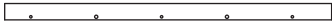


Ruler/tape
measure

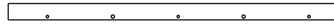


Pencil

Panels



1
(910 x 40 x 39mm) x 1



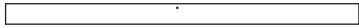
2
(910 x 40 x 39mm) x 1



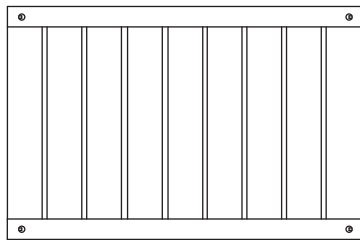
3
(735 x 148 x 15mm) x 1



4
(735 x 148 x 15mm) x 1



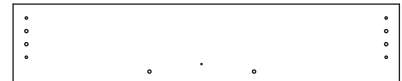
5
(800x 40 x 15mm) x 1



6
(800 x 570 x 30mm) x 1



7
(800 x 186 x 15mm) x 1



8
(884 x 189 x 15mm) x 1



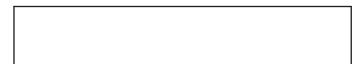
9
(150x 80 x 18mm) x 1



10
(150 x 80 x 18mm) x 1



11
(761 x 80 x 15mm) x 1

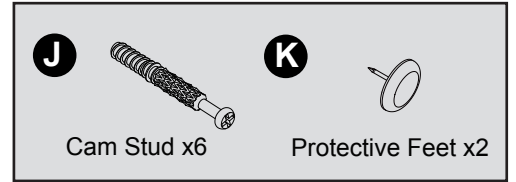
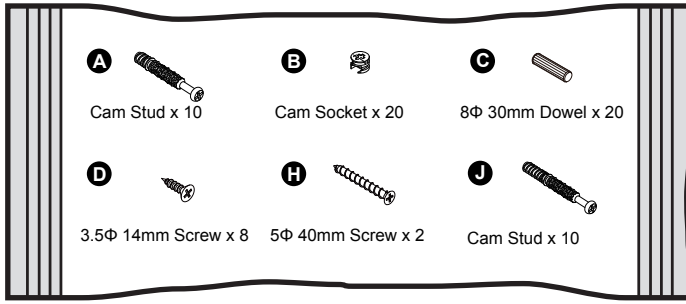


12
(769 x 142 x 2.7mm) x 1



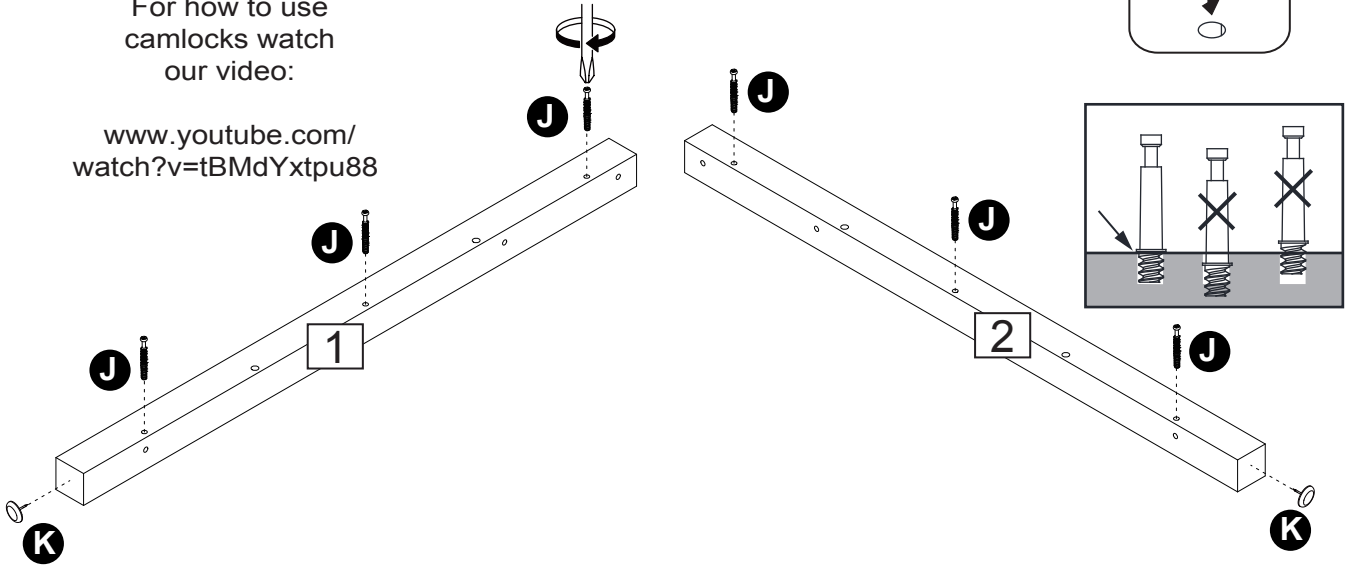
13
(794x 97 x 15mm) x 1

1

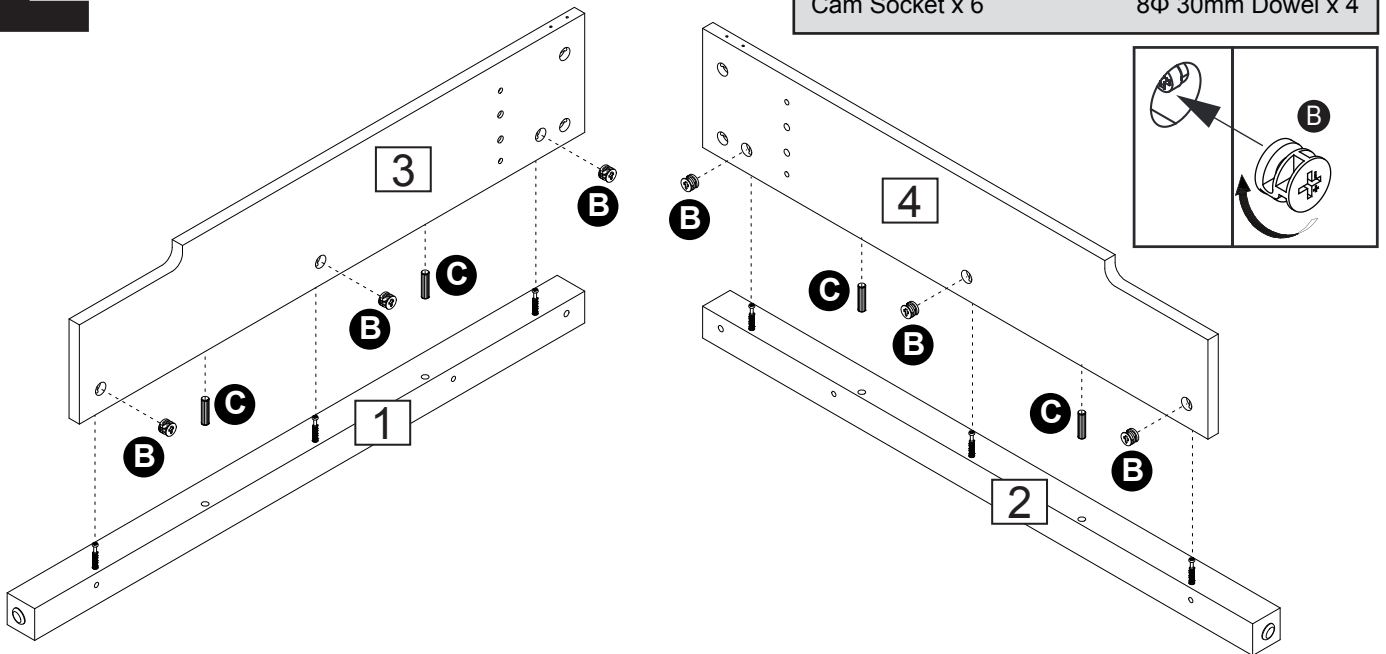
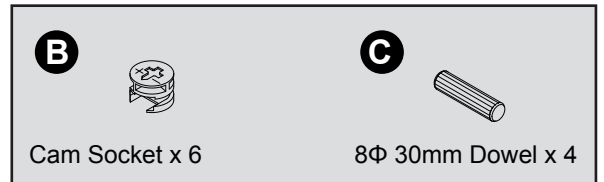


For how to use
camlocks watch
our video:

[www.youtube.com/
watch?v=tBMdYxtpu88](http://www.youtube.com/watch?v=tBMdYxtpu88)



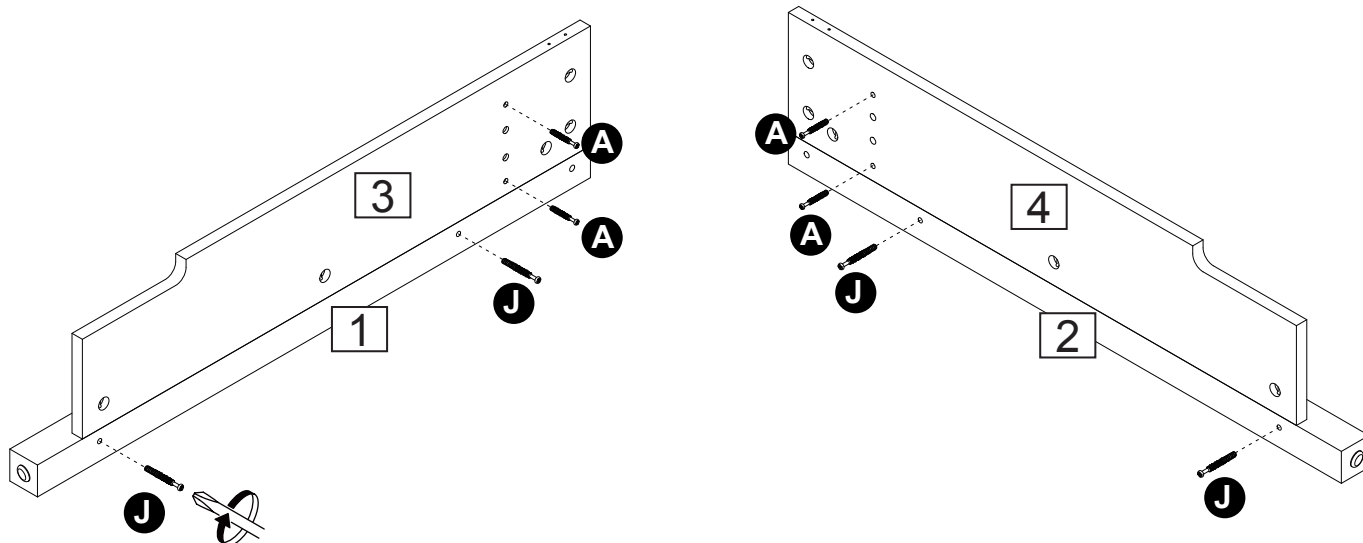
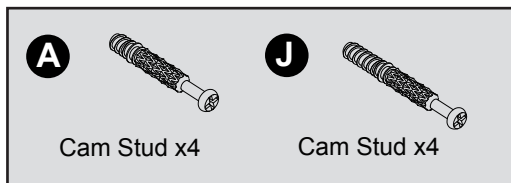
2



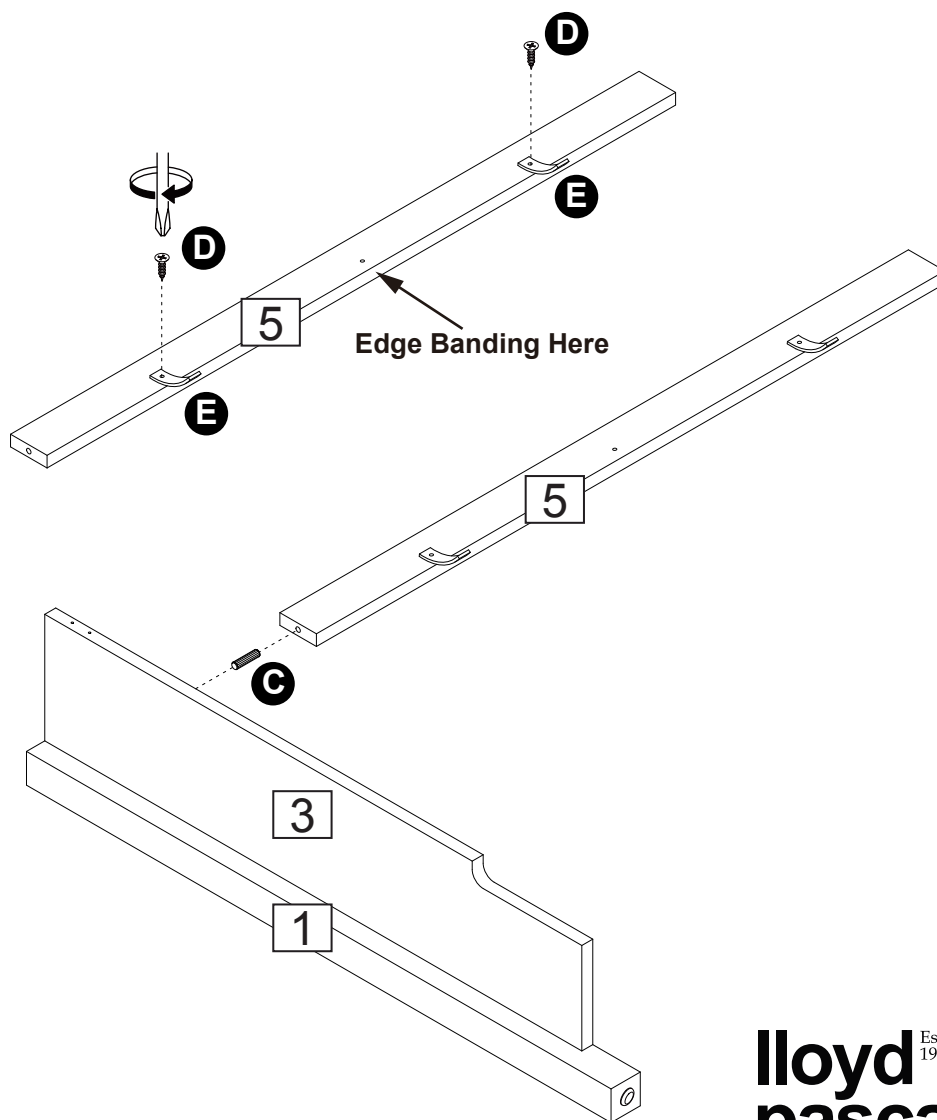
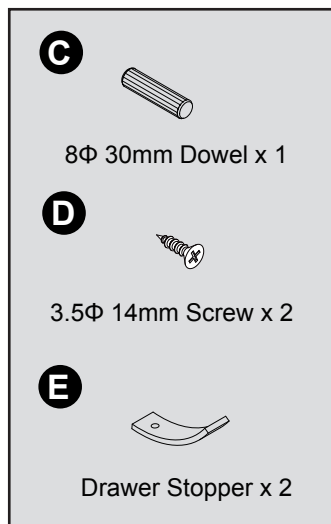
lloyd
pascal
we love home

#welovehome

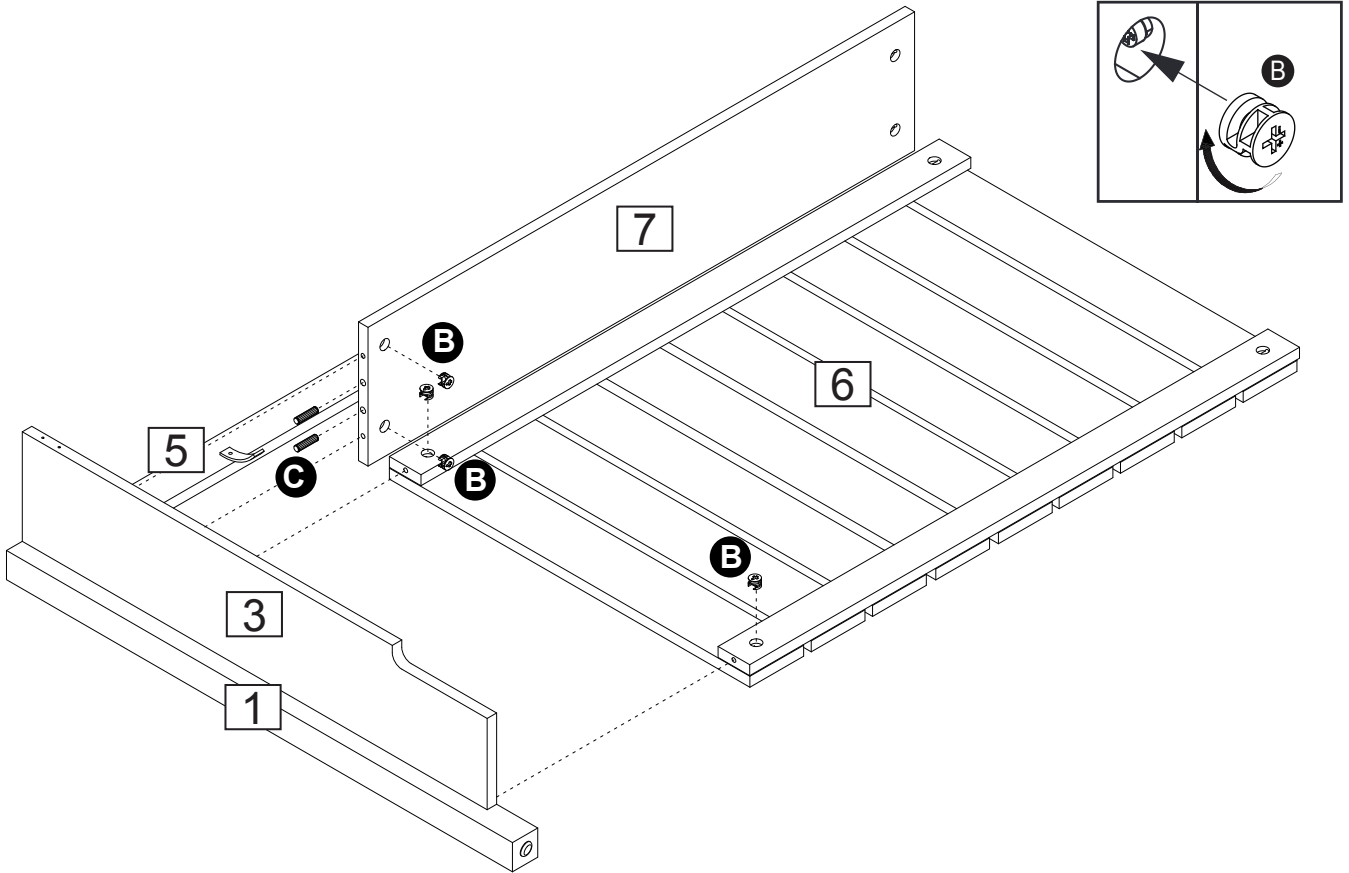
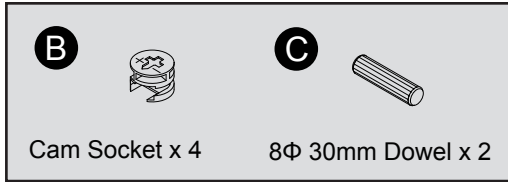
3



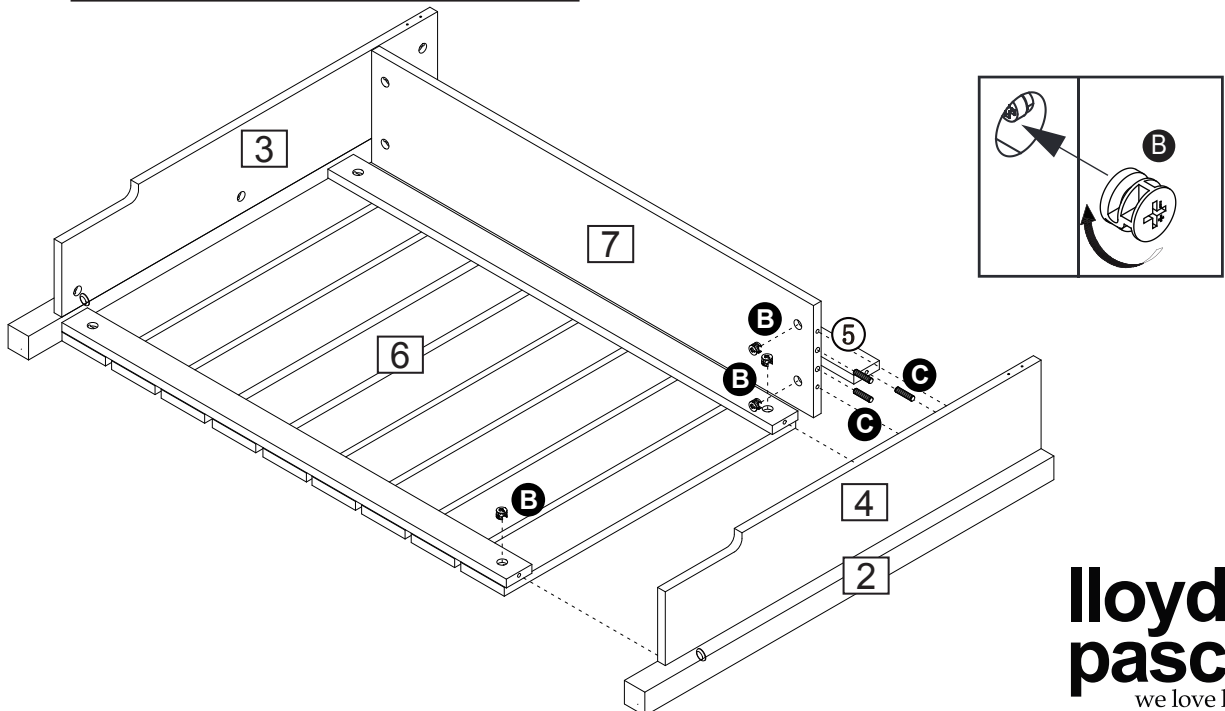
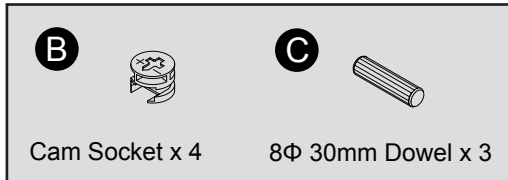
4



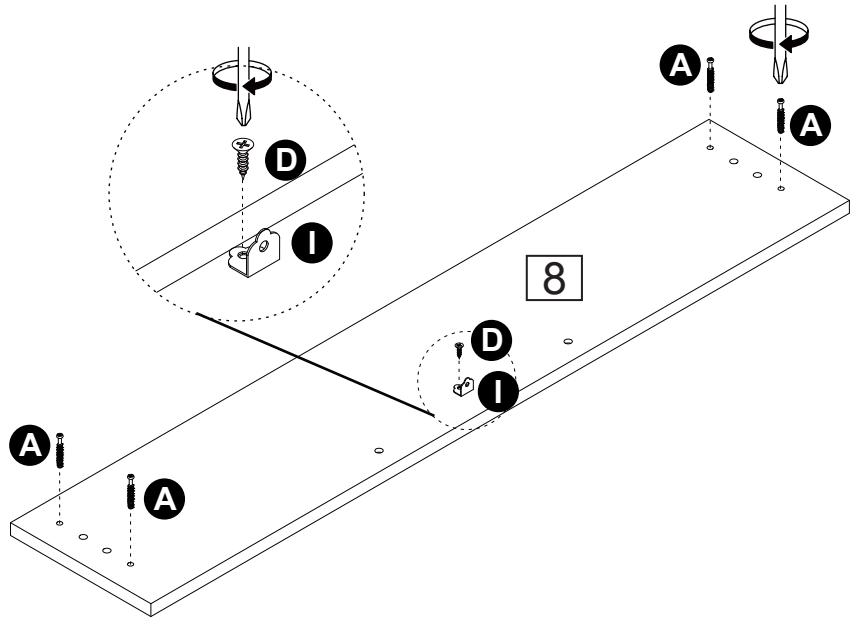
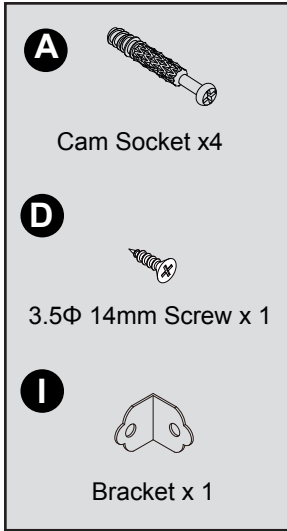
5



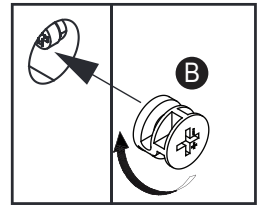
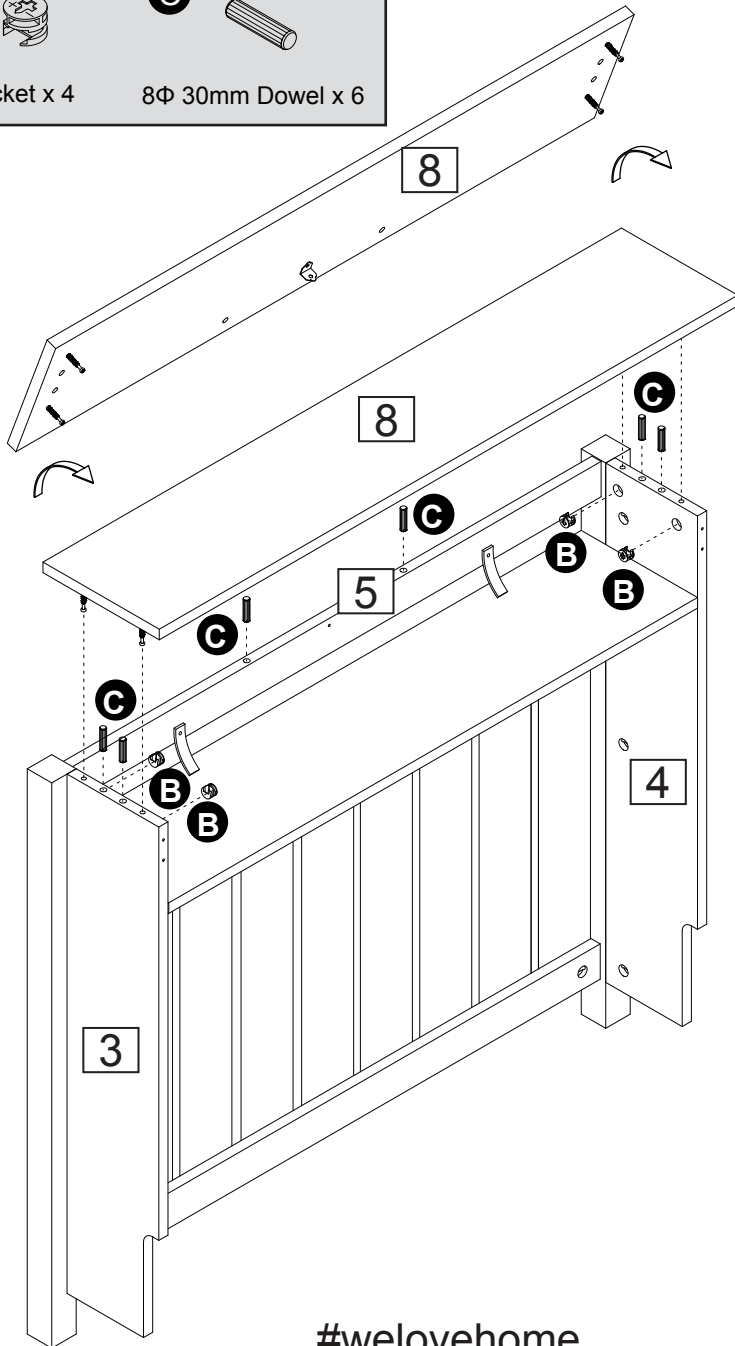
6





7



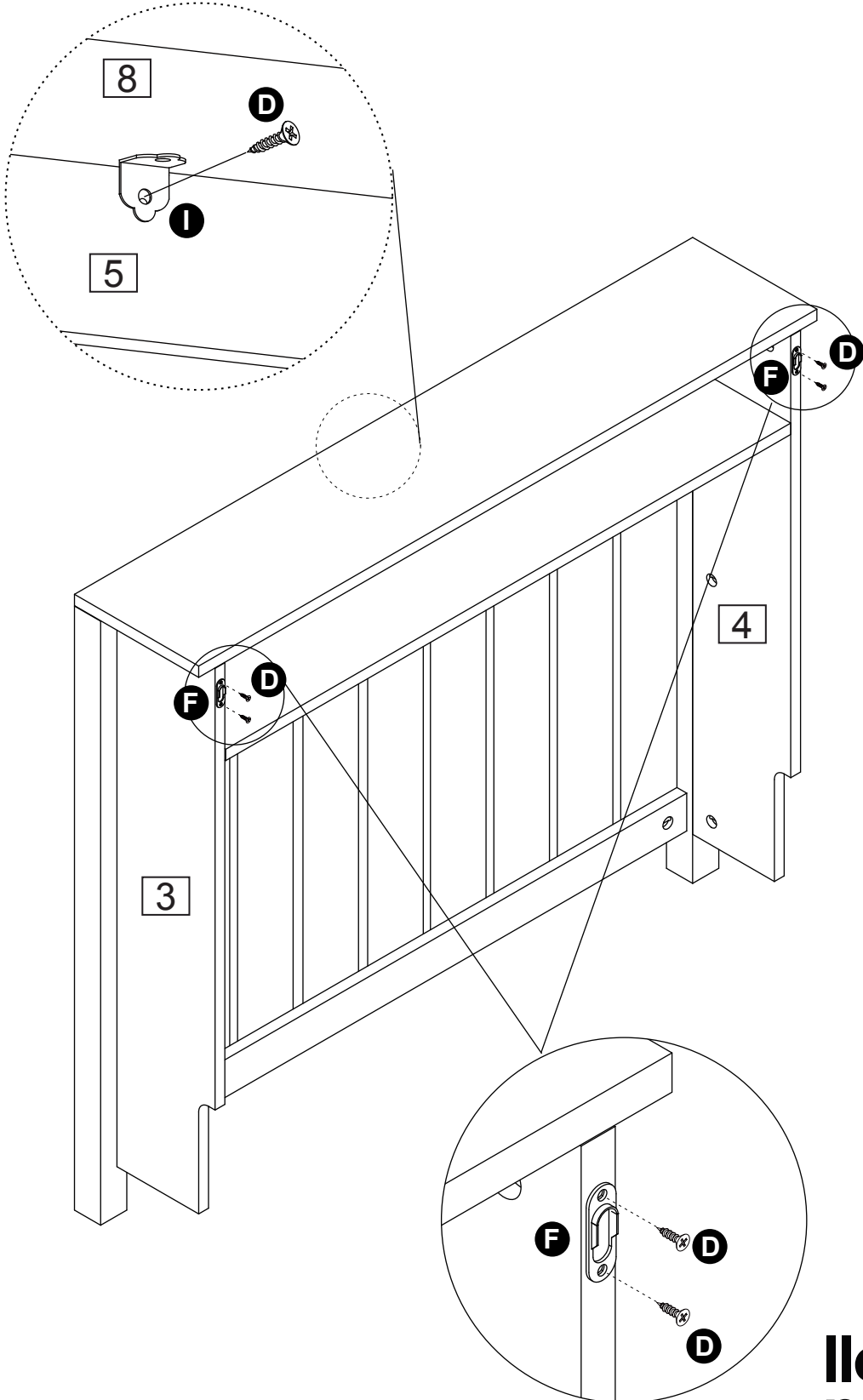
8



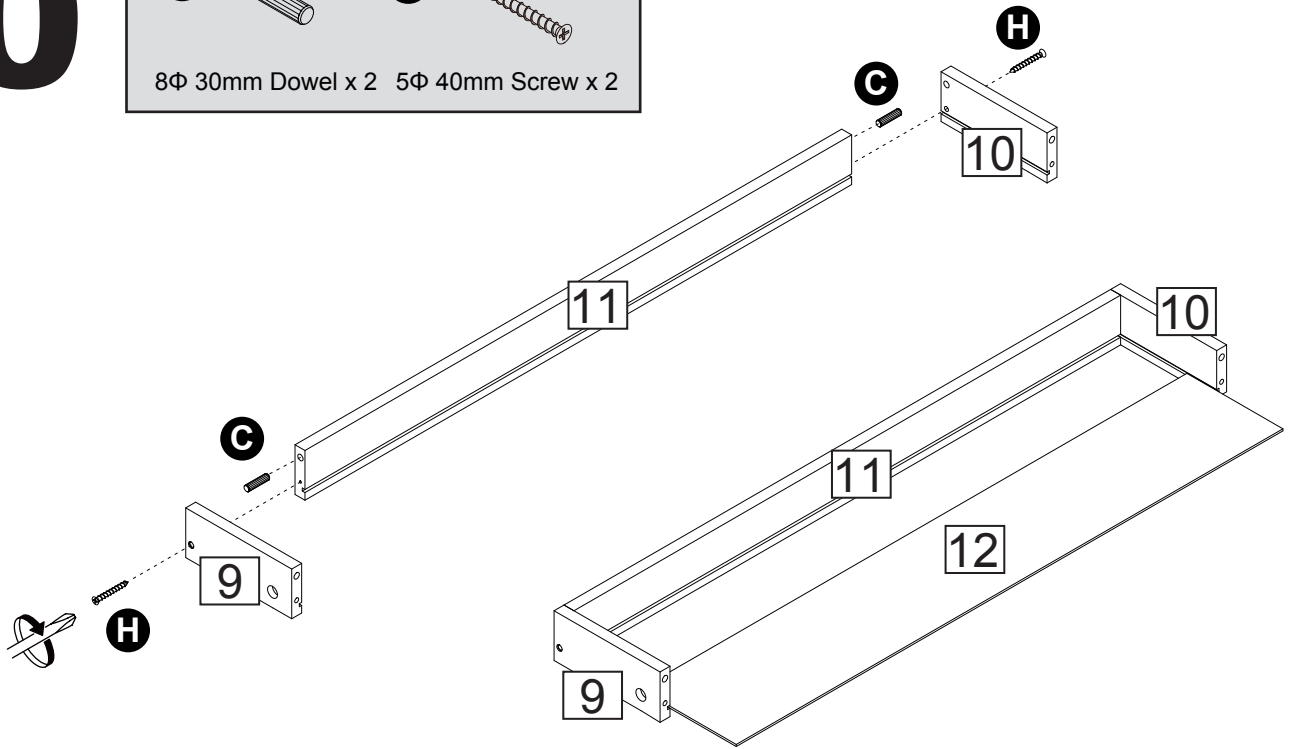
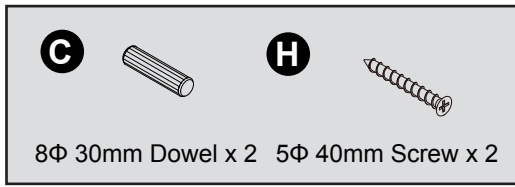
9

D  **F** 

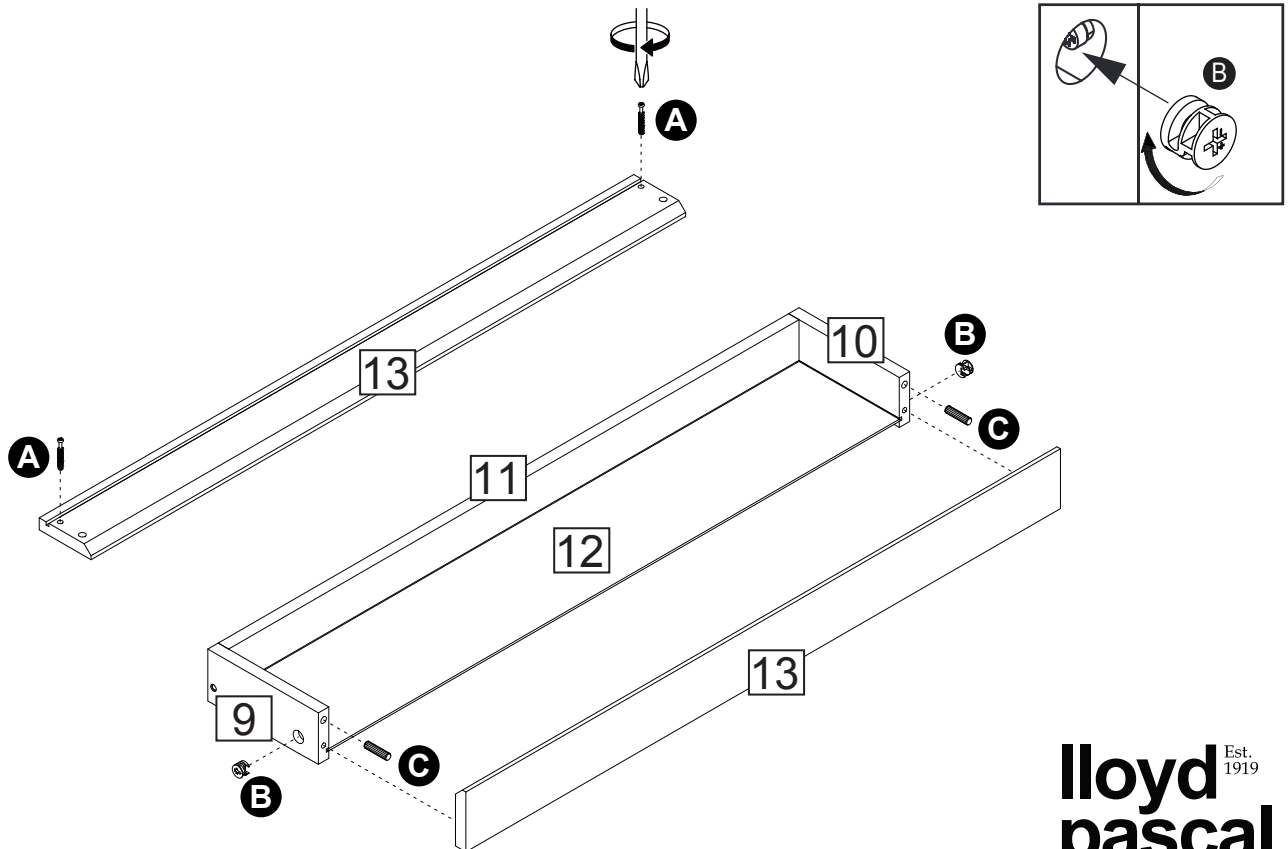
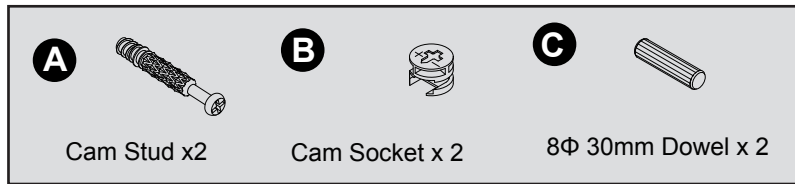
3.5Φ 14mm Screw x 5 Keyhole Bracket x 2



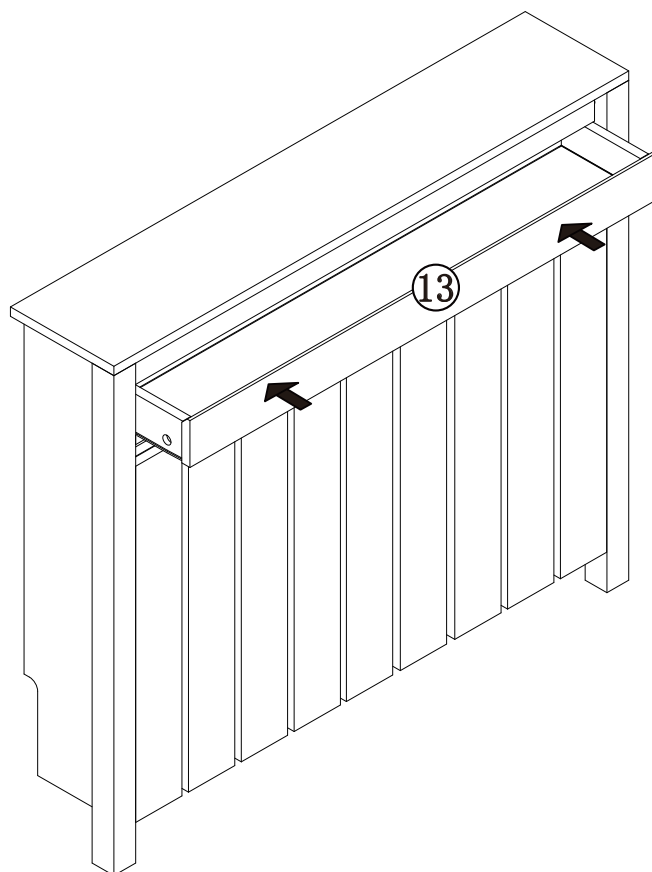
10



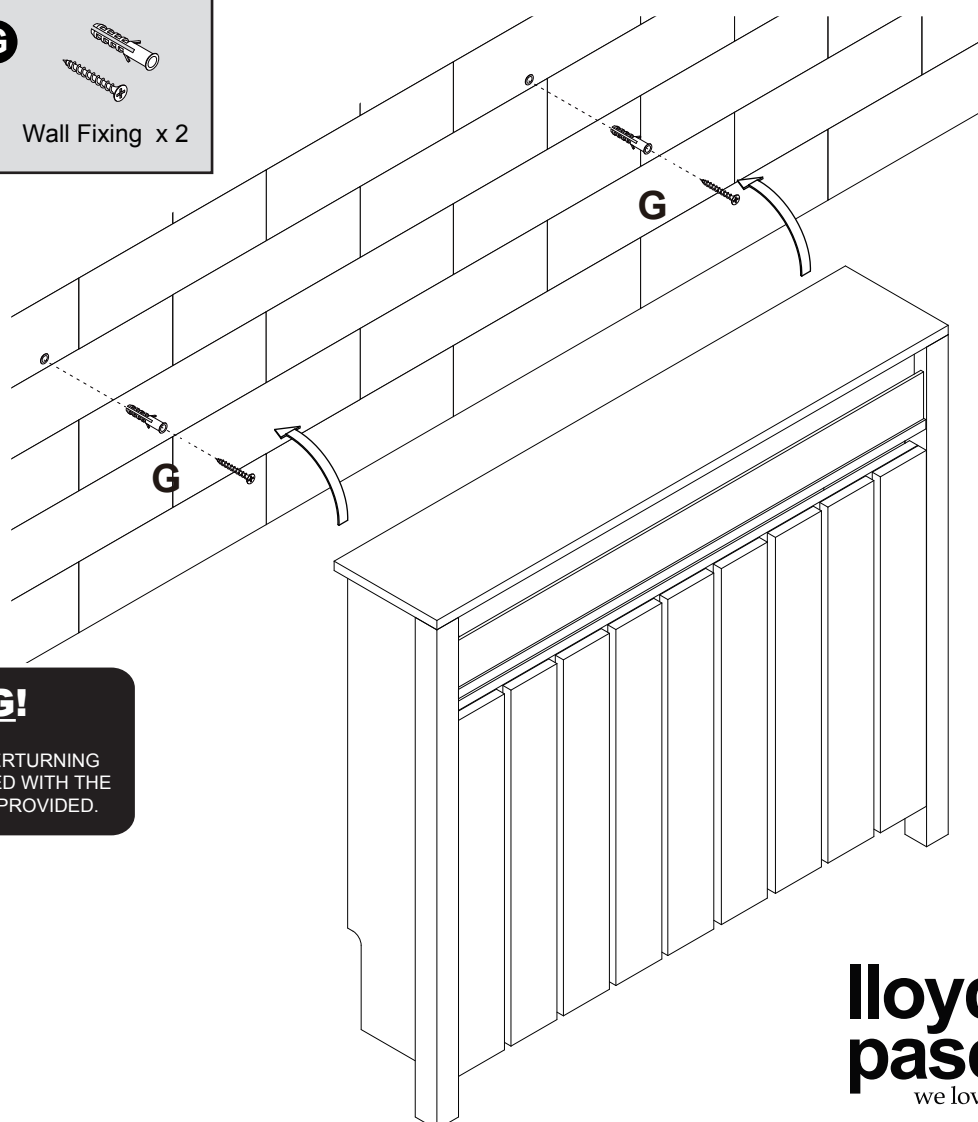
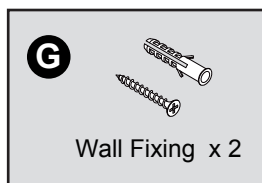
11



12



13



WARNING!

IN ORDER TO PREVENT OVERTURNING THIS PRODUCT MUST BE USED WITH THE WALL ATTACHMENT DEVICE PROVIDED.

WARNING!

BEFORE DRILLING CHECK WALL FOR HIDDEN PIPES AND CABLES.

lloyd Est.
pascal 1919
we love home

A Guide to Wall Mountings & Fixing

Important note:

If plastic wall plugs (rawl plugs) are supplied with your product, eg:



- these are suitable for use in masonry walls.

If you are in any doubt about the correct wall plugs for your wall, seek professional advice.

Failure of the product due to using the incorrect fixing is the responsibility of the installer



Important: when drilling into walls always check that there are no hidden wires or pipes etc.



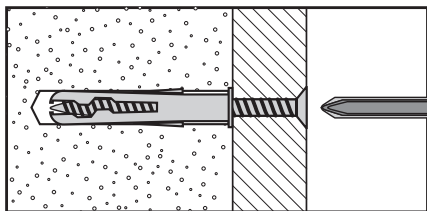
Hints:

1. General rule: always use a larger screw and wall plug if you are not sure.
2. Ensure you use the recommended drill bit to match the wall plug and hole size.
3. Ensure you drill the hole horizontally; do not force the drill or enlarge the hole.
4. Take extra care when drilling high walls, ceilings and ceramic tiles. Ensure wall plugs are inserted beyond the thickness of the ceramic tiles to avoid the tiles splitting or cracking.
5. Ensure wall plugs are well fitted and are a tight fit in the drilled hole.

Types of walls

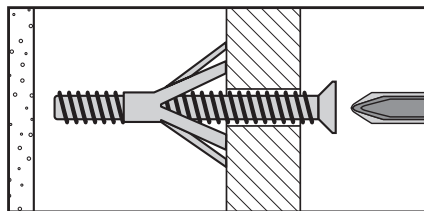
You can use one of the following types of wall plug if your walls are made of brick, breeze block, concrete, stone or wood.

No. 1 "General Purpose" wall plug



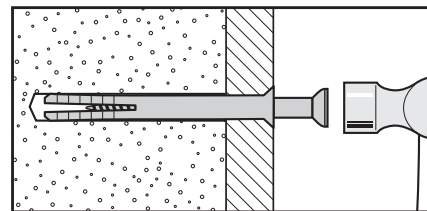
Generally aerated blocks should not be used to support heavy loads, use a specialist fitting in his case. For light loads, general purpose wall plugs can be used.

No. 3 "Cavity Fixing" wall plug



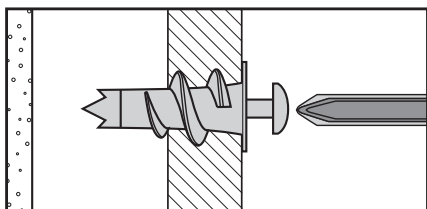
For use with plasterboard partitions or hollow wooden doors

No. 5 "Hammer Fixing" wall plug



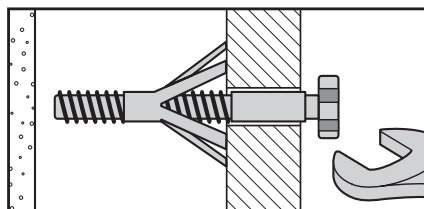
For use with walls stuck with plasterboard. The hammer fixing allows it to be fixed to the wall rather than the plasterboard. Always check the fixing is secure to the retaining wall.

No. 2 "Plasterboard" wall plug



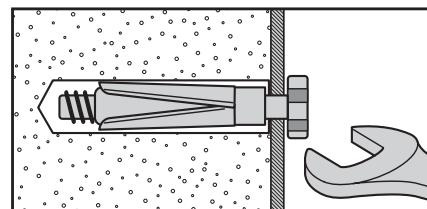
For use when attaching light loads onto plasterboard partitions

No. 4 "Cavity Fixing - Heavy Duty" wall plug



For use when fitting or supporting heavy loads such as shelving, wall cabinets and coat racks.

No. 6 "Shield Anchor" wall plug - heavy loads



For use with heavier loads such as TV and HiFi speakers and satellite dishes etc.



Care & Maintenance

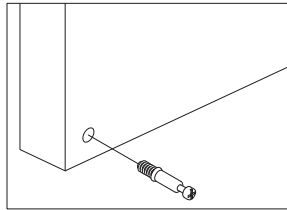
Safety: Always check the fitting and location to ensure your safety in and around the home.

Fitting: From time to time check the fitting to ensure the wall plugs or screws do not become loose.

Using camlocks

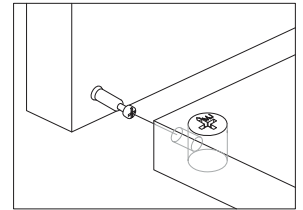
Step 1:

Connect the cam stud as directed in the assembly instructions using a screwdriver.



Step 3:

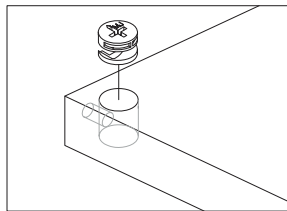
Push the cam stud into every hole.



Step 2:

Insert the cam socket as shown in the instructions.

Note: Ensure that the arrow on the top of the camlock points towards the entry hole for the cam socket.

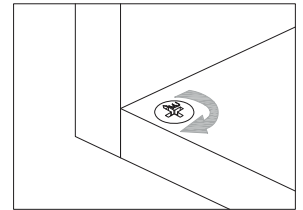


Step 4:

Turn the cam socket with a screwdriver.

You should feel a click when the camlock is locked in place.

The joint is now secure.



For how to use camlocks watch our video:

www.youtube.com/watch?v=tBMdYxtpu88