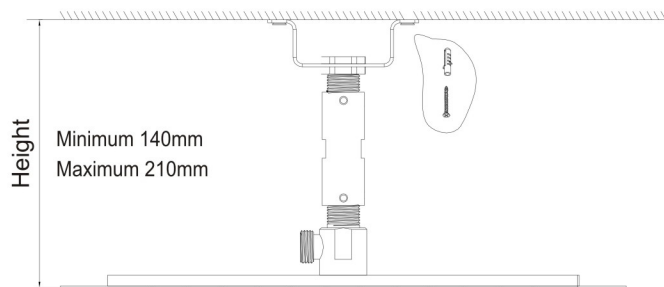
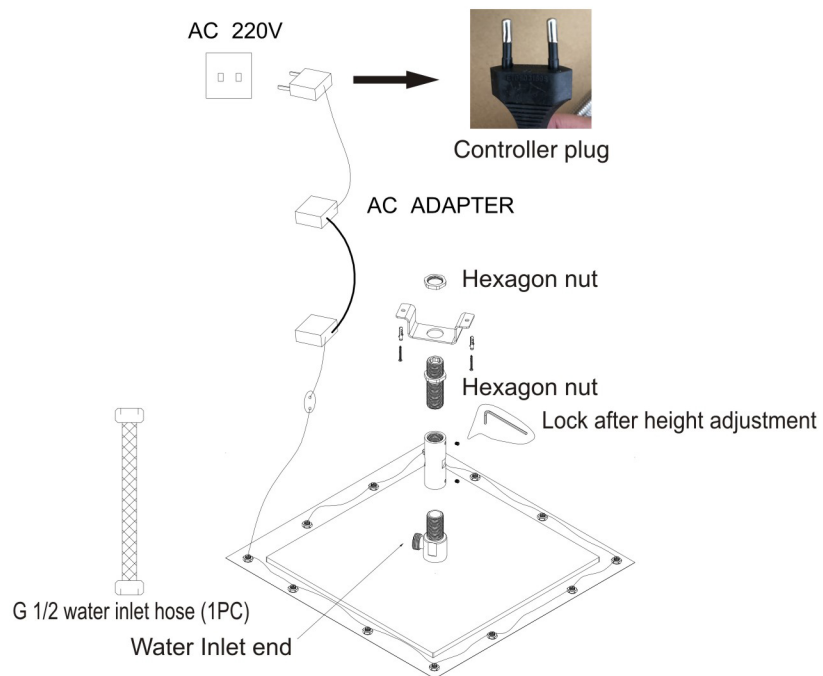
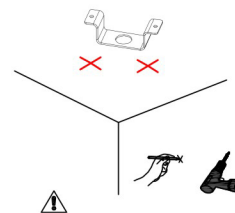


# Diagram

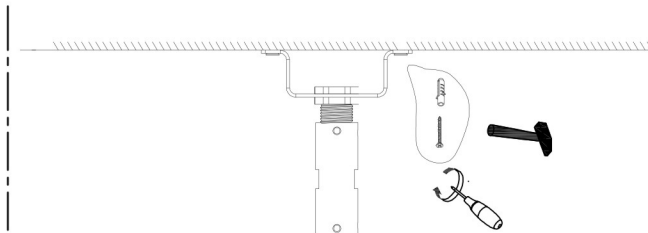
Installation Requirement:  
Pre install 220V socket, it needs one separate switch to control this socket.  
This socket should not be too far away from the LED shower head  
(within 1.2 meters). After the shower head is installed, turn on the power.



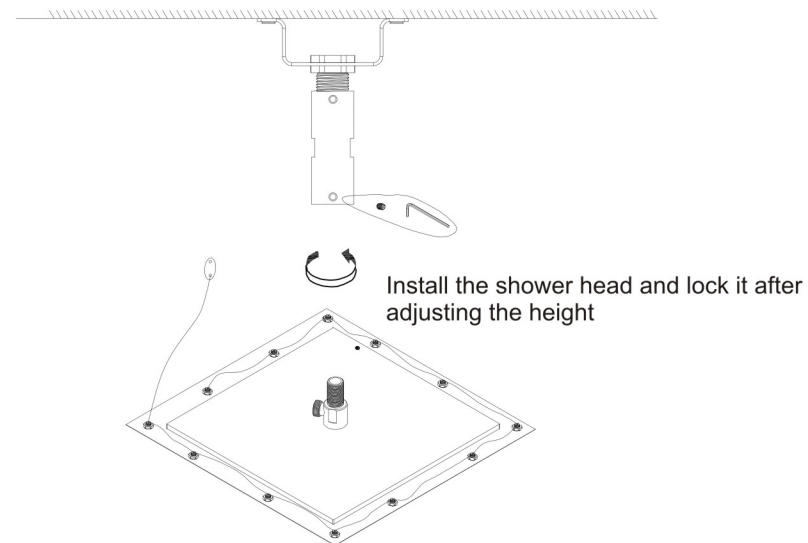
①



②



③



④

Finally, connect the water inlet pipe and power supply, and complete the installation.

