

INSTALLATION GUIDE

1 DOOR / OFFSET QUADRANT



IMPORTANT

Thank you for choosing Merlyn. Please familiarise yourself with the fitting instructions before commencing fitting.

1. Check that you have the tools required.
2. Check that the installation site is compatible with size of door supplied
3. Check all the enclosure components.
4. Check that the installation kit is complete

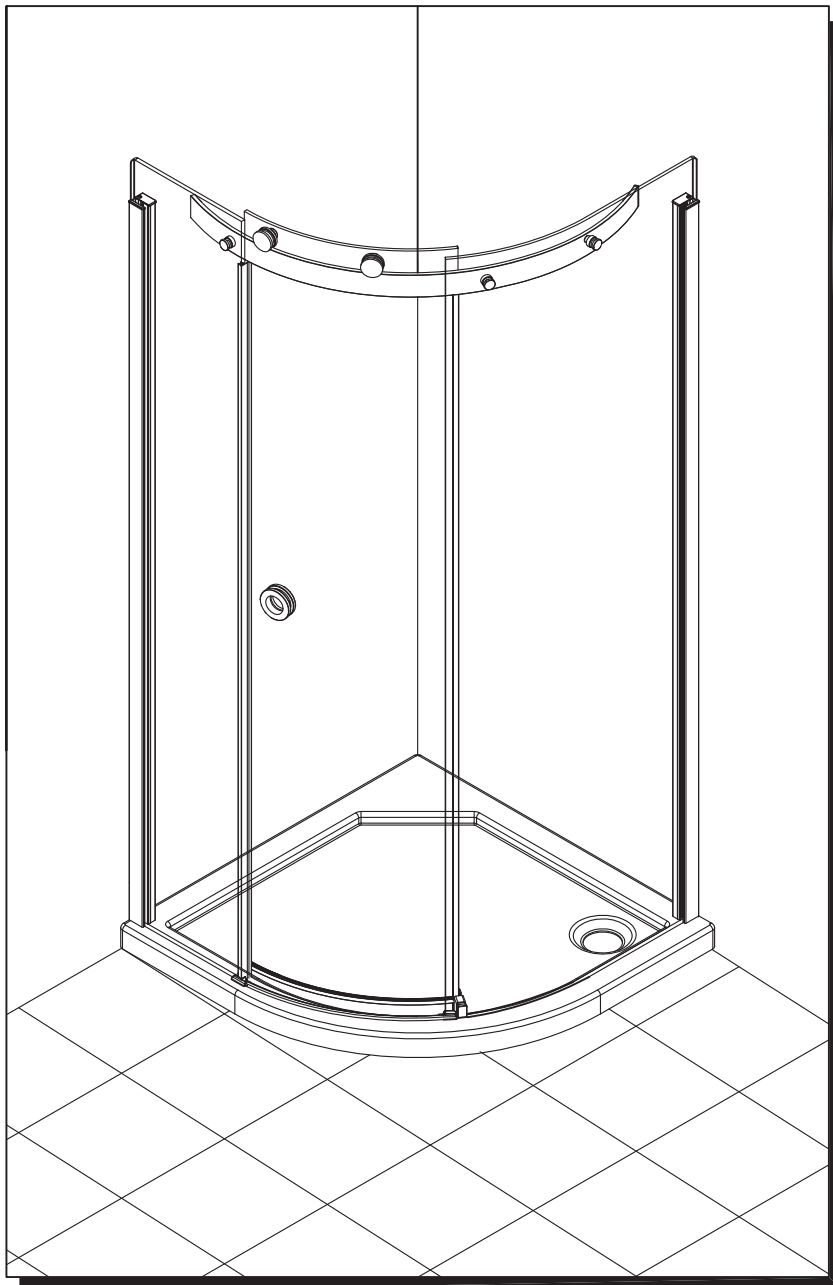
DO NOT attempt to install the product unless you can tick ALL 4 boxes as satisfactory.

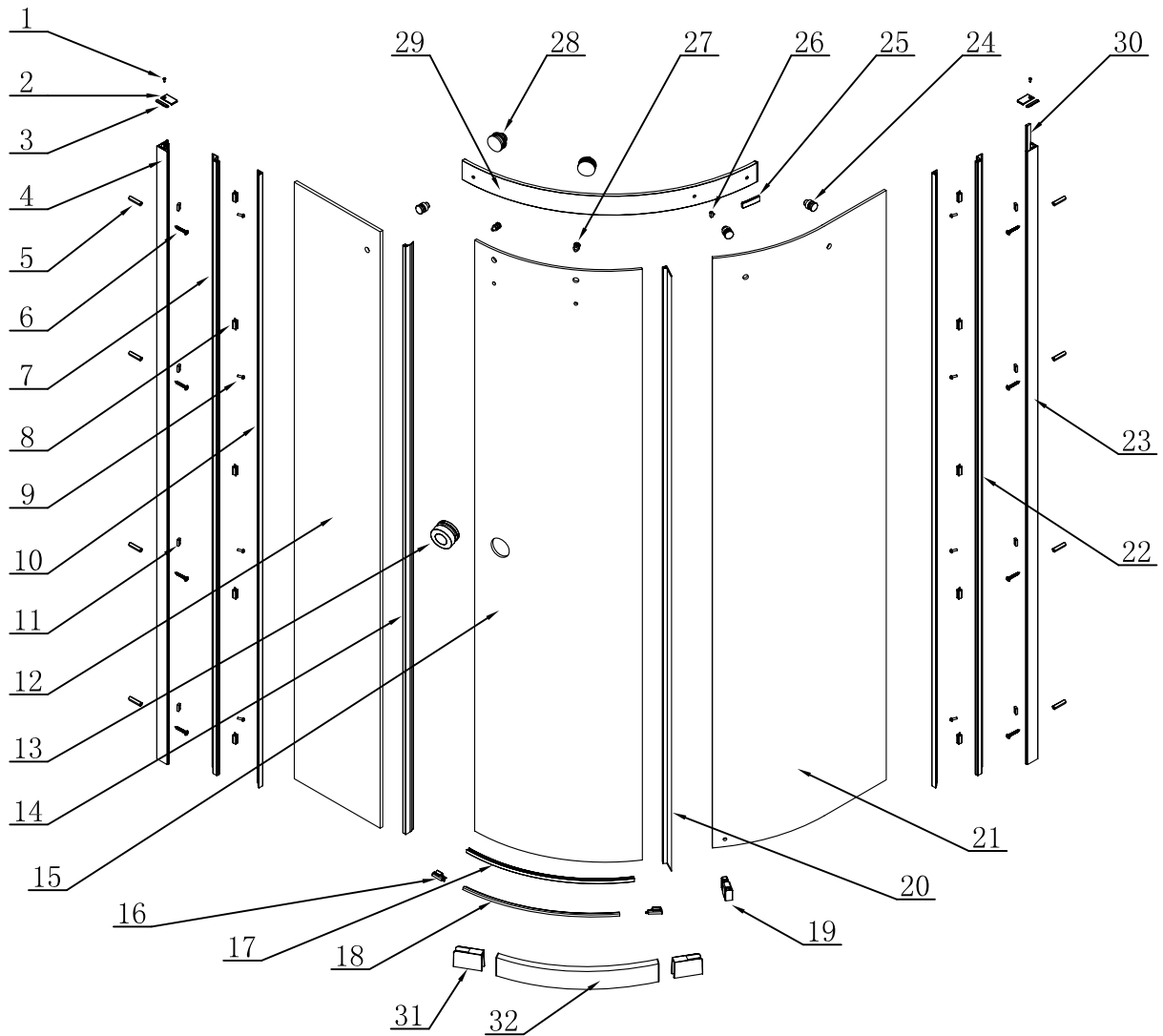
The wall plugs supplied with the installation kit are for use in solid walls. Hollow or 'stud-partition' walls will require alternative fixings. Please consult a hardware supplier for the correct type.

It may also be necessary to consult your tiling supplier about the correct method for drilling your tiles.

USE SAFETY EYEWEAR WHEN DRILLING

Any parts missing or damaged must be reported to your supplier within 5 days of purchase. Inspect shower enclosure before fitting. No claims will be acceptable after product has been installed.

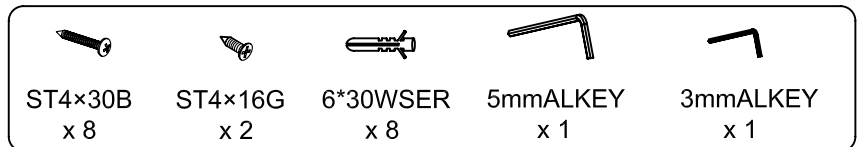
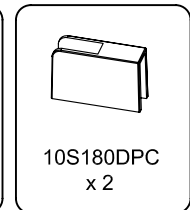
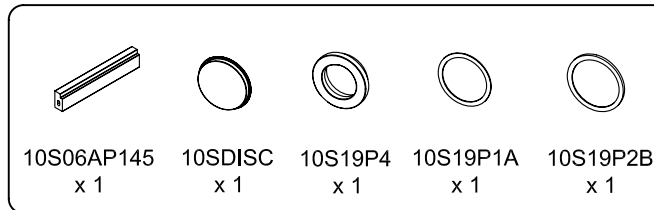
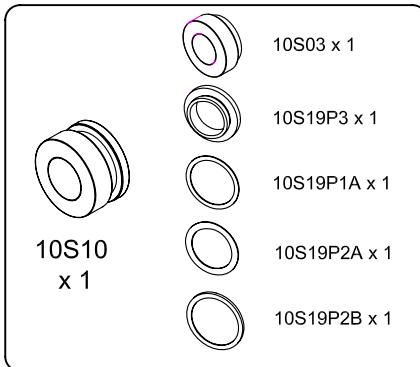
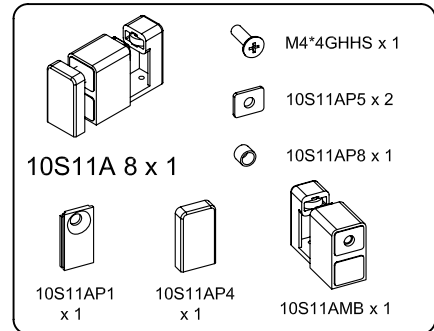
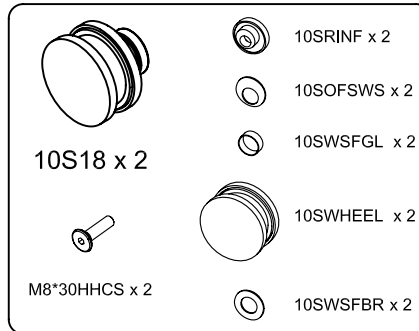
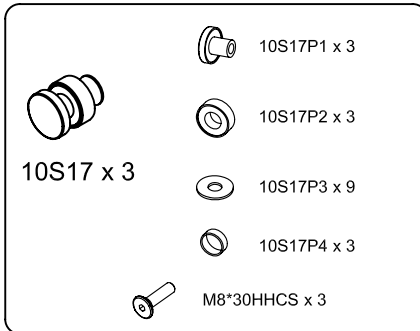
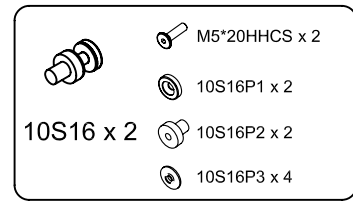
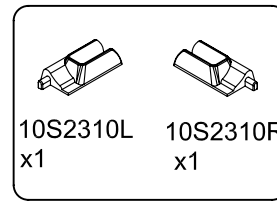
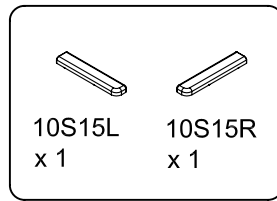
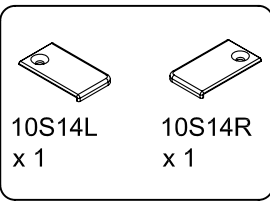




No.	Description	QTY	Part No.	No.	Description	QTY	Part No.
1	Cover cap fixing screw ST4*16	2	ST4*16G	17	Door panel bottom seal	1	10S10AP570
2	Wall profile inside cover cap(L/R)	2	10S14L/R	18	Luna rail	1	10S28P527
3	Wall profile outside cover cap(L/R)	2	10S15L/R	19	Glide	1	10S11A8
	Complete wall profile(10mm)1850 - includes 4,7,8,9,11,30	1	10SWPSET185010	20	Upright seal	1	10S09P1870
4	Wall profile-Main section(10mm)	1	10S01AP1850	21	Curved fixed panel	1	B
5	Standard wall plug 6*30	8	6*30WSER		Complete wall profile (8mm) 1850 - curved fixed panel - includes parts 22, 23, 8, 9,11,30	1	10SWPSET18508
6	Wall fixing screws ST4*30	8	ST4*30B	22	Wall profile inside section (8mm)	1	10S02AP1850
7	Wall profile inside section(10mm)	1	10S02AP1850	23	Wall profile main section (8mm)	1	10S01AP1850
8	Nylon clip - wall profile	10	10S27	24	Rail to glass fixing part	3	10S17
9	Clamping screws M5*16	8	M5*16R	25	Roller stop rubber	1	10S06AP40
10	Trim strip -1850	2	10S03AP1850	26	Roller stop end	2	10S06BL/R
11	Clamping block for wall profile	8	10S22	27	Glass locating pin	2	10S16
12	Flat fixed panel	1	A	28	Rollers	2	10S18
13	Handle	1	10S10	29	Top rail	1	C
14	Upright seal	1	10S09P1870	30	Wall profile clamping seal	4	10S07P1850
15	Door panel	1	D	31	180 degree plastic piece for the new rail	2	10S180DPC
16	10mm footplate (L/R)	2	10S2310L/R	32	New luna rail	1	10SBNR525

Note:Further part details for fixing kit available on page 2

Fixing Kit components (Parts shown are not to scale)



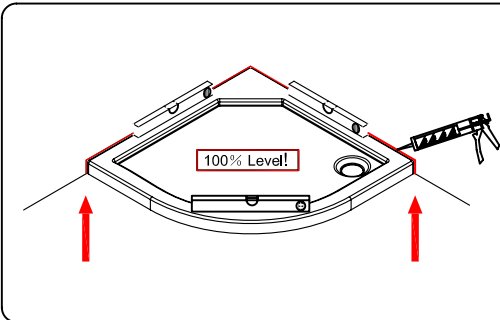
Tools required

- 6mm Masonry drill bit
- Power drill
- Quality silicone
- Pencil
- Tape Measure
- #2 Philips Head screw driver
- Spirit level with horizontal and vertical level indicators

IMPORTANT - Installation site

1. Ensure the top surface of the shower tray on which the enclosure will be installed is level in every direction.
2. The tiling or other wall finishing should be effectively sealed at the tray edges.
3. Tiles should extend at least to the corners of the tray and a minimum of 1.9 meters from the top of the tray.

PROCEDURE



TRAY MUST BE 100% LEVEL IN ALL DIRECTIONS

Ensure the shower tray is level in all directions and is properly sealed to the wall. The wall must be tiled down to the top edge of the tray. **Do not angle out bottom tile.**

TRAY MUST BE SEALED FULLY AROUND WHERE THE TRAY MEETS THE WALL.

Step 1.

Step in wall profile **10SWPSET1850** 15mm from the front edge of the shower tray. Ensure the profile is plumb.

Note: Do not remove protective plastic on outside of wall profile until just before sealing.

Step 2.

Mark the position for fixing the wall profile to the wall. **IMPORTANT:** Must mark the centre of all slots in wall profile as the extra will be needed for adjustment later on.

Step 3.

Drill hole (**THROUGH THE CENTRE OF THE SLOT**) with 6mm masonry drill bit and insert the wall plugs **6*30WSER**.

Step 4.

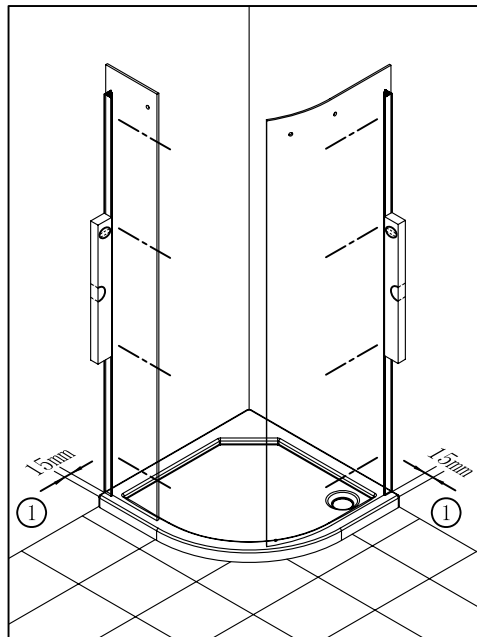
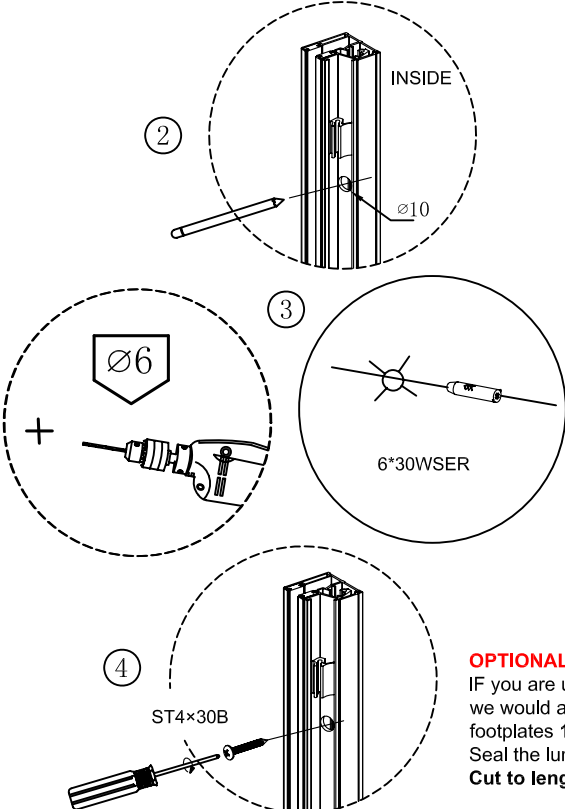
Fix the wall profile to the wall through the centre of the slot with screws **ST4*30B**. Repeat for second wall profile.

Note: Wall profiles are labelled depending on the glass panel used on each side. Use correct profile with correct fixed panels on each side.

Step 5.

Insert the fixed panels fully into the wall profiles (when slotted in fully - should be no gap behind the glass) ensuring footplates **10S2310L/R** are on the bottom corners of the fixed panels.

Note: curved fixed panel footplate to have small gap on inside

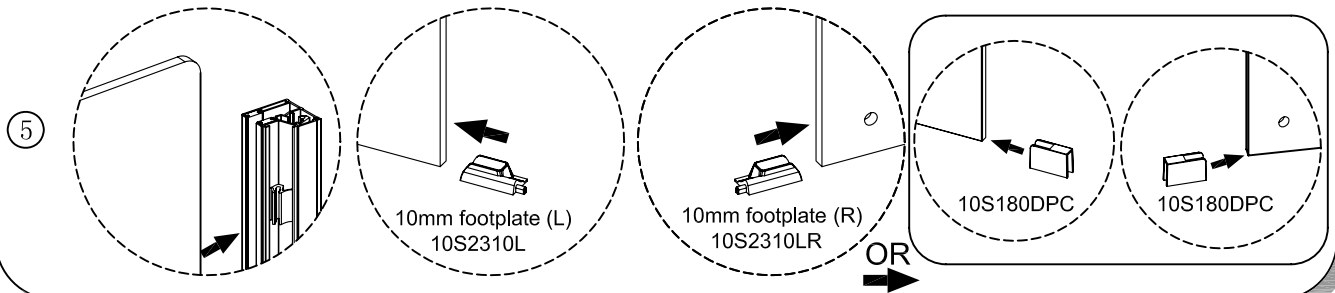


NOTE: Only silicone the wall profile after fixing to the wall (see sealing section). Do not silicone on the back of the wall profile before fixing to the wall.

OPTIONAL RAIL IF USING POWER SHOWER CLOSE TO MOVING PANEL.

IF you are using a Power shower that will be directed towards the door or bottom of the door panel, we would advise using this higher bottom rail instead of the standard luna rail **10S28P588** and footplates **10S2310L/R**.

Seal the luna rail to floor/ tray tightly using silicone, and seal one side to wall using silicone. **Cut to length only of required, DO NOT cut too short.**



Step 6.

Fix the middle hole in the rail to the curved fixed panel first. Fix the top rail (slot on inside to bottom) to the fixed panels by inserting part **10S17P1** through the glass from the outside, and positioning chrome disc **10S17P2** between the rail and glass and fix with screw **M8*30HHCS** and 5mm hex key. Ensure the 3 washers are present as shown.

Step 7.

Ensure the top rail is level. Then fix the rail to the second hole in the curved fixed panel. Finally fix the rail to the flat fixed panel. Tighten screw **M8*30HHCS**. Tighten wall profile onto the glass in 2 places until final adjustment is completed.

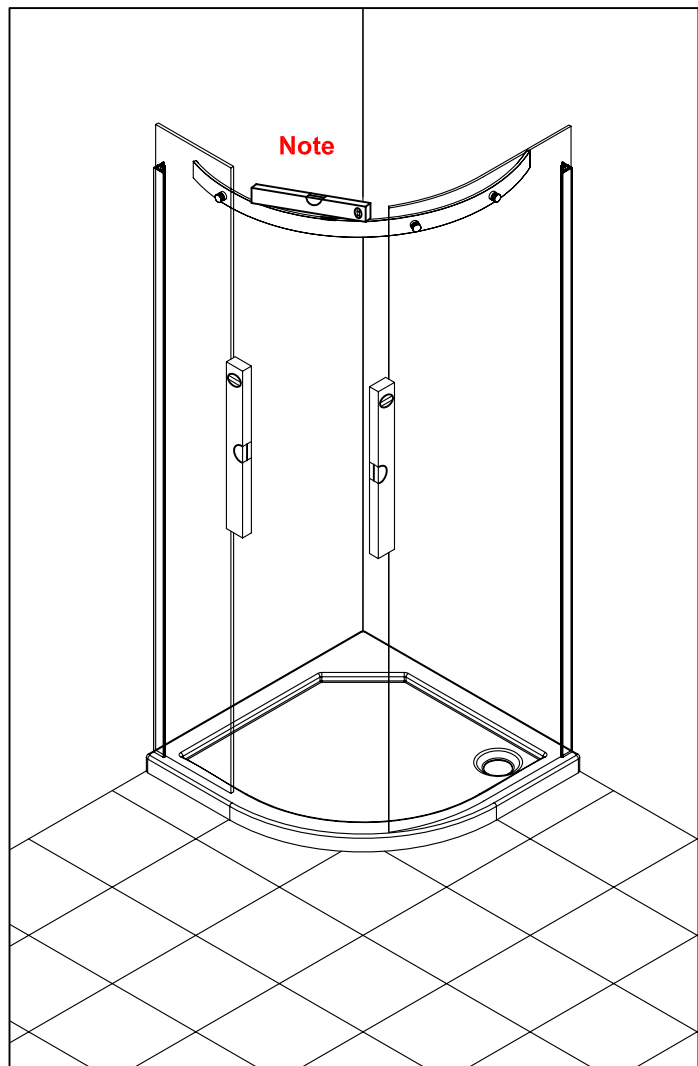
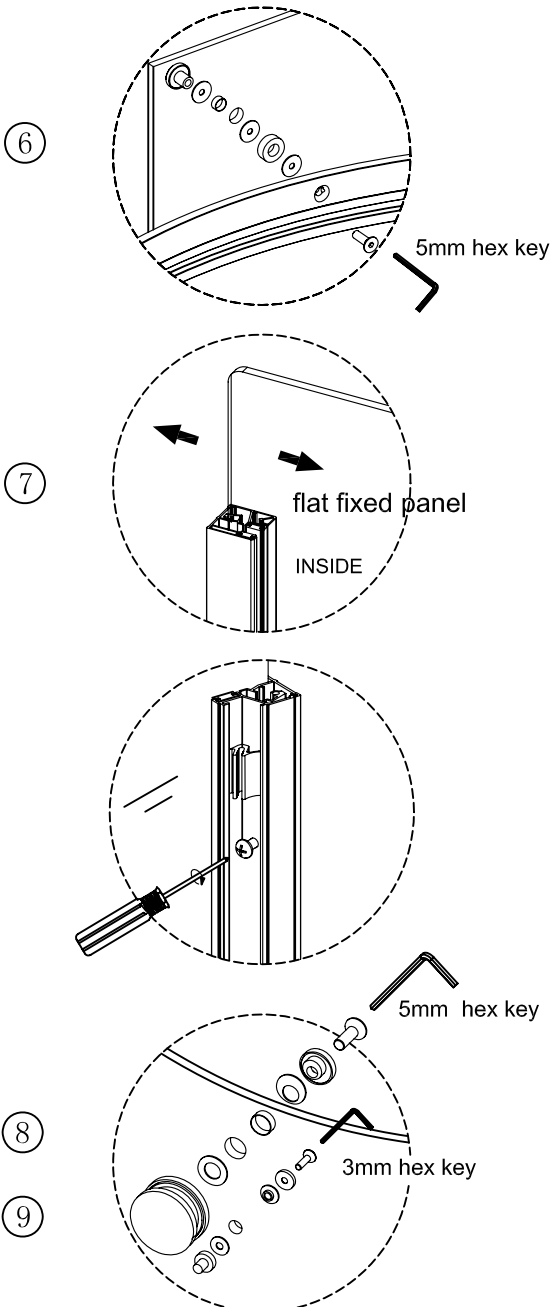
Note: You may need to adjust the glass in or out of the wall profile to ensure both panels connect to the rail. Ensure fixed panels are vertical after adjusting.

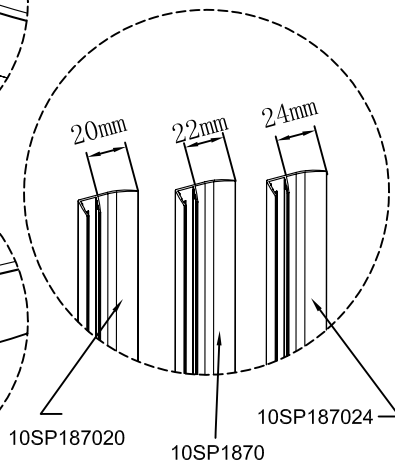
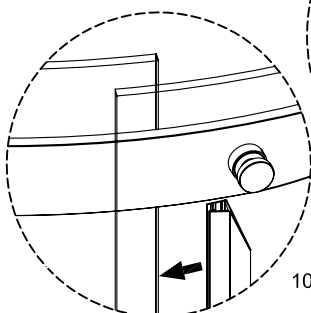
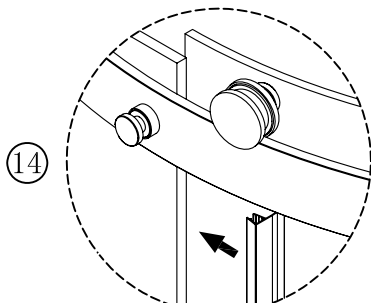
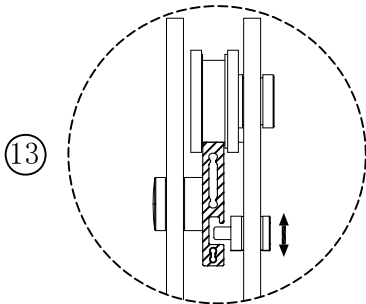
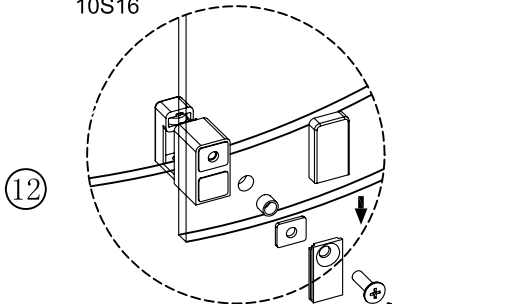
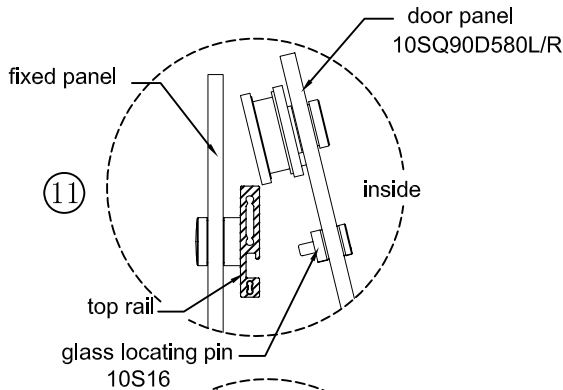
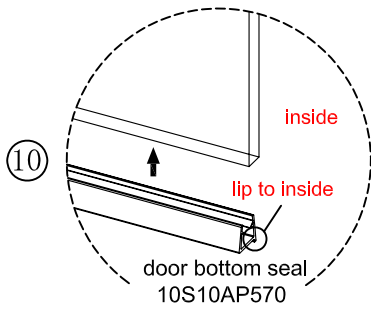
Step 8.

Attach the rollers **10SWHEEL** to the moving panels (wheel to outside of curved moving panel) by inserting screw **M8*30HHCS** through the chrome disc **10SRINF** and glass and attach to the roller. Ensure washers are present.

Step 9.

Attach the glass locating pin **10S16** to moving panels (pin to outside of curved moving panel) by inserting screw **M5*20HHCS** through chrome disc **10S17P2** and the glass and attach to the locating pin **10S17P1**. Ensure washers are present.





Step 10.

Attach the bottom seal **10S10AP570** to the bottom of the moving panel (lip on seal to inside). Seal may need to be adapted to size.

Step 11.

At the door opening from the inside (with bottom of door angled towards back wall) slot the top rollers onto the rail.

Note: Ensure the locating pin does not scratch the inside of the top rail when fitting the moving panel.

Step 12.

Assemble bottom glide housing **10S11AMB** onto the bottom of the door panel and position at the corner of the fixed panel. Insert screw **M6*25CSC** through plate **10S11AP1**, washer **10S11AP5** and glass and into the glide housing. Slot on cover cap **10S11AP4**.

Step 13.

Temporarily adjust locating pin so it is in the middle of the slot on the rail.

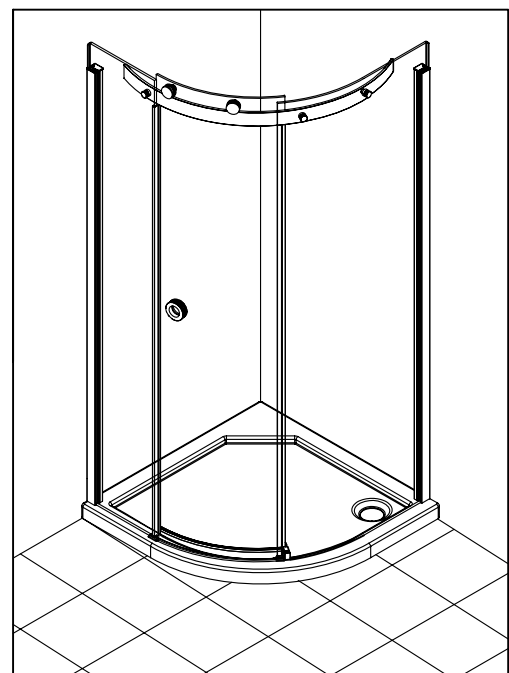
Step 14.

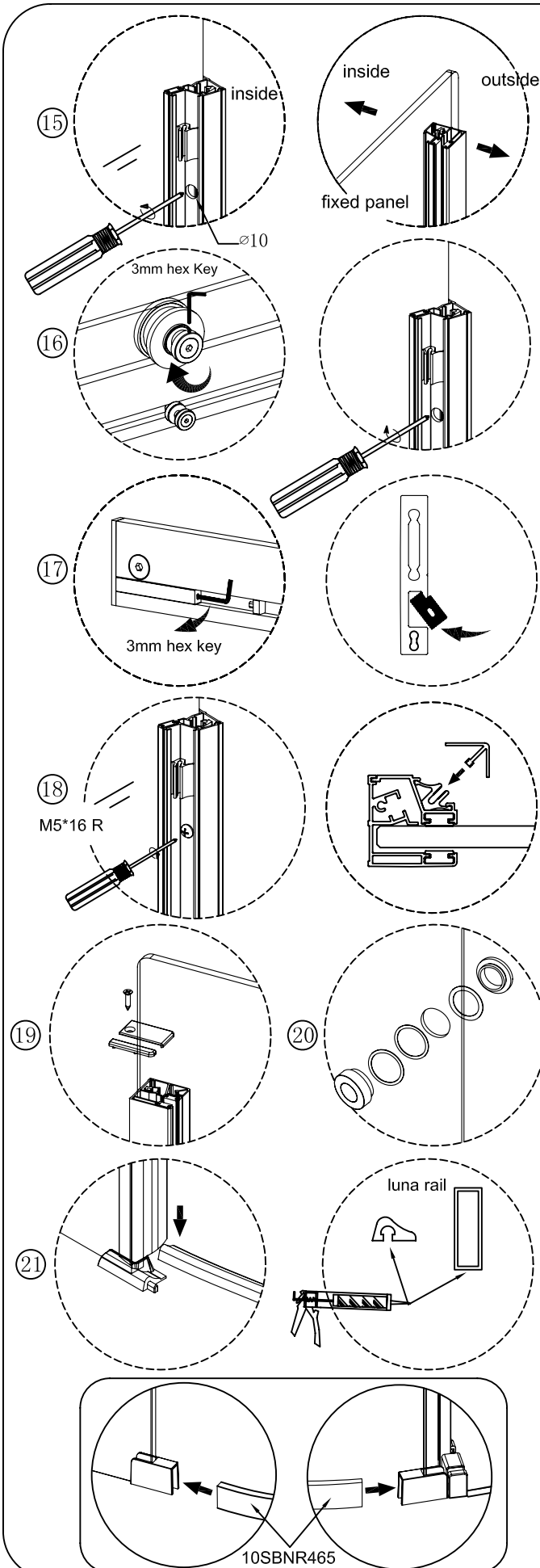
Fit upright seals **10S09P1870** to the edges of the flat fixed panel and to the back of the door panel. The door panel upright seal should fit on top of the bottom seal fitted in step 10.

Note: There are 2 seal options for the back of the door panel (22mm or 20mm) only use the 20mm seal if the fin is rubbing off the curved fixed panel when closing it. There is also 2 seal option for the flat fixed panel (22mm or 24mm). Ideally use the 24mm seal. The 22mm seal can be used if there is a reduced gap between the fixed panel and front of the moving panel (see step 15 & 16 — for further adjustment). A third seal can be fixed to the front of the curved fixed panel if the customer requires.

Option-If the upright seal **10S09P1870** on the back of the door is hitting the glide **10S11AMB**, cut 25-30mm of the bottom of the seal so it sits level with the top of the glide.

If using the higher Luna rail on the quadrant, the upright seal on the straight fixed panel needs to be cut 20mm shorter.





Step 15.

To ensure the door closes correctly onto the upright seal, loosen where the wall profiles are fixed to the wall and push in or out to align the door panel correctly.

Note: There should be an even gap (1 – 2mm, from top to bottom) between the fin of the seal on the flat fixed panel and the moving panel.

IMPORTANT: This gap can also be altered by adjusting of the roller as in **Step 16.**

Step 16.

The rollers can be adjusted to alter the height of the door panel and the closing position, (This can also alter the gap between the front of the moving panel and the closing upright seal if required). Loosen screw and rotate inner disc **10SRINF** (hole in the roller inner disc shows the high point of the roller - this can be used as a lever with a hex key to turn). When adjustment is finished, tighten fixing to wall. Ensure locating pin is still central in the slot and tighten.

Step 17.

The closing point on the moving panel can be changed so the door handle does not go fully behind the fixed panel. **FULLY** insert the 3mm hex key into the rubber stop (slide plastic cap forward) and use as a lever to gently pull out the stop – adapt to required length and re- insert. Alternatively push in the longer roller stop **10S06AP165** from the bottom.

WARNING: BY USING THE BIGGER OPENING SPACE AND ALLOWING THE MOVING PANEL TO FULLY OPEN, THE HANDLE WILL GO FULLY BEHIND THE FIXED PANEL. BE CAREFUL NOT TO INJURE YOUR HAND!!

NOTE: If you want a bigger opening space, we advise you to use the handle **10S03**

Step 18.

Tighten all clamping screws in the wall profile. Clip on wall profile trim strip **10S03AP1850** to inside of wall profile. Remove the protective layer on the outside of the wall profile.

Step 19.

Insert outer wall profile cover caps (use a dab of silicone underneath to hold) and fix inside cover caps with screw **ST4*16G**.

Step 20.

Attach outer handle **10S03**-- ensure washers are present on both sides of the glass.

Alternative option 1- Instead of using the handle **10S03**, you can use the handle **10S19P4**, but need to change the roller stop to the longer one.

Alternative option 2- With handle **10S19P4** you can insert disc **10SDISC** into the middle of the handle to blank off the hold.

Note: Handle cannot be removed once fitted tightly.

Step 21.

Fit Luna rail **10S28P527** to footplates. Use a small bead of silicone along the underneath of the rail to fix to the tray. Luna rail may require adapting to length.

Note: Ensure door panel does not hit the wall when fully opened. If it does:

1. Adjust wall profile and roller as in step 15 and 16.
2. Or, use the longer roller stops, as in step 17

Step 22.

Use a quality silicone sealant and applicator gun to seal the finished door.

SEALING INSIDE

Seal top to bottom on the **INSIDE** between the wall profile and the wall.

Note: Do not apply sealant on the inside of the tray

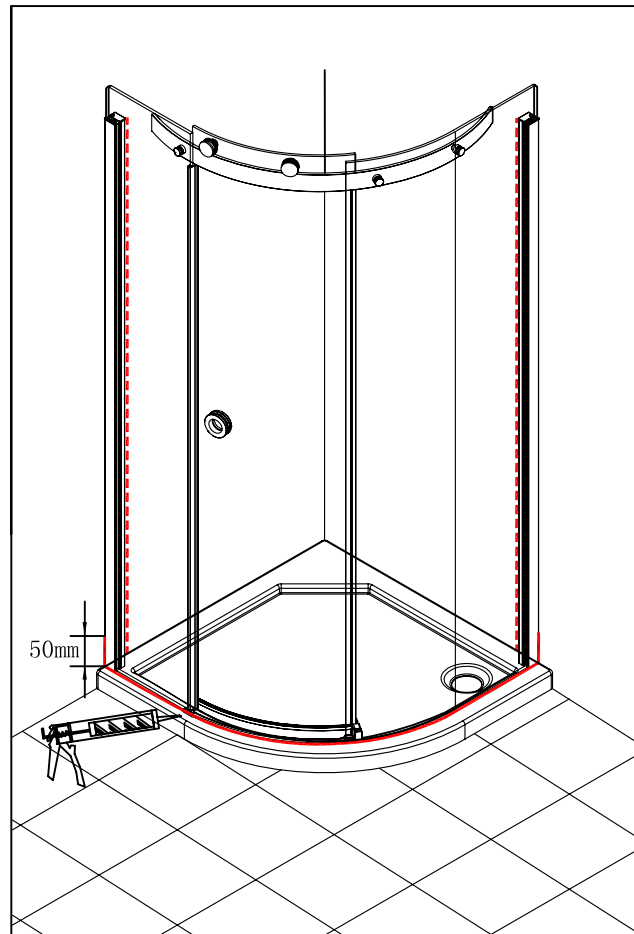
SEALING OUTSIDE

Seal only along bottom on the **OUTSIDE** between glass/rail/profile and the tray and approx 50mm up between the wall profile and the wall.

24 HRS



DO NOT use the enclosure for 24 hrs after sealing.



TROUBLE SHOOTING GUIDE

DOOR NOT ALIGNING

1. Is the tray 100% level? (see page 3).
2. Have the walls been checked at different levels to ensure consistency?
3. Are the wall profiles stepped in 15mm from the edge of the tray? (see step 1).
4. Do the finished tile measurements on the tray comply with the adjustment listed on the label and in the specifications book?
5. Have the wall profiles been adjusted in or out to ensure door closes properly? (see step 15).
6. Are the rollers properly adjusted? (see step 16).
7. Is the top rail level? (see step 7).
8. Door is touching the back wall when open – product needs to be adjusted correctly – (see note under step 21).
9. Door not closing properly on the closing upright seal – product needs to be adjusted correctly – (see step 14, 15 and 16).
10. Moving panel seal rubbing off the curved fixed panel – product needs to be adjusted correctly – (see step 14, 15 and 16).

DOOR LEAKING

1. Is the bottom seal fitted on the glass panel? (see step 10)
2. Are the upright seals fitted? (see step 14)
3. Is the door sealed correctly? (see step 22)
4. If door leaking under moving panel – Use the alternative option Higher luna rail as in page 3& 6.

OTHERS

1. Door is hitting the bottom of the glider - adjust rollers to raise door (see step 16).
2. Opening space is too small – need to reduce the roller stop length (see step 17).
3. Bottom moving panel seal **10S10AP570** is hard to assemble – put in warm water for a few minutes to soften and then assemble.
4. Rubbing/scratching noise when door is being opened and closed – locating pin is not adjusted. Must be in centre of slot on the top rail (See step 12)

SERIES 10 1 DOOR / OFFSET QUADRANT

WE ARE SURE YOU WILL BE PLEASED WITH YOUR NEW MERLYN SHOWER DOOR.

Where a shower door has been installed contrary to these instructions, Merlyn cannot accept responsibility for any loss or damage, however caused, and any on-site service may incur a charge.

www.merlynbathrooms.com

FAILURE TO FOLLOW THE INSTRUCTIONS CORRECTLY MAY INVALIDATE YOUR GUARANTEE