

Before You Start

This tap is suitable for use at water supply pressures of 0.3 bar (min.) to 5 bar (max.).

This product must be connected to the water supply in accordance with the UK Building Regulations. If you are in any doubt about these requirements, contact a qualified plumber, your local Water Company, or the Water Regulations Advisory Scheme (WRAS).

(a) Identify all components and check pack contents.

(b) Turn off mains water supply. The main stopcock is usually situated where the supply enters the building.

(c) It is also recommended that the water heating arrangements are turned off.

(d) Drain the cold and hot water system. It is recommended to ensure complete drainage, that all taps are opened. There is no need to drain the heating system.

After Care

Ensure the tap is fully turned off after use.

To maintain the appearance of this fitting, ensure it is cleaned only using a clean soft damp cloth. A solution of warm water and mild liquid detergent may be used where necessary and then rinsed thoroughly.

Abrasive cleaners or acidic cleaners **MUST NOT BE USED** under any circumstances.

Avoid contact with solvents.

Manufacturer's Guarantee

This tap is guaranteed to be free from faults arising from manufacturing defects for a period of 2 Years from the date of purchase.

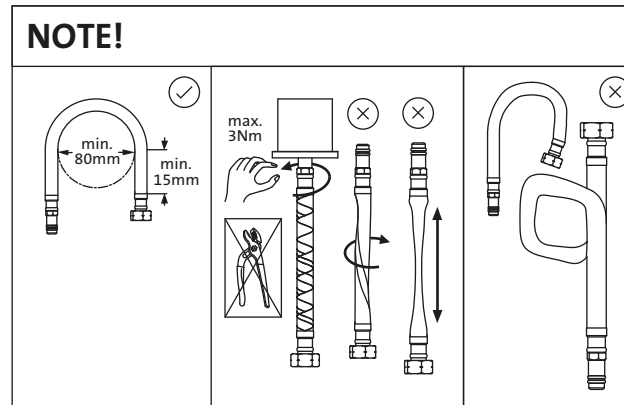
Retain proof of purchase.

Caution

Contains parts which if these become loose could be a choking hazard to small children. After installation please check that the bar levers into the tap heads and the plug lift rod are secure, if required please use low strength thread lock to secure these parts.

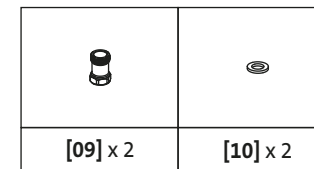
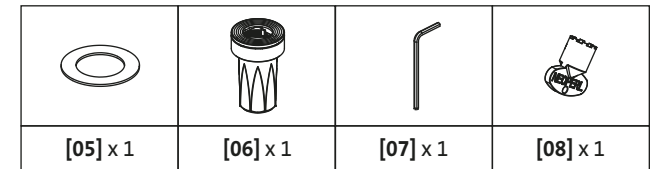
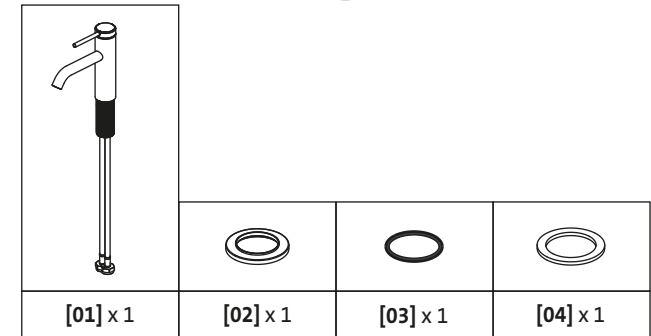
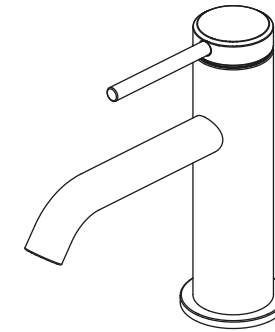
Please pass these instructions back onto householder for retention for future reference.

Do not over bend the flexible hoses.

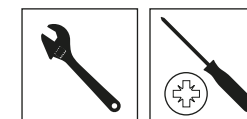


MALPINE

Kelvin Basin Mixer

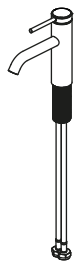


Tools Required:



Barcode: 5036484097439

01



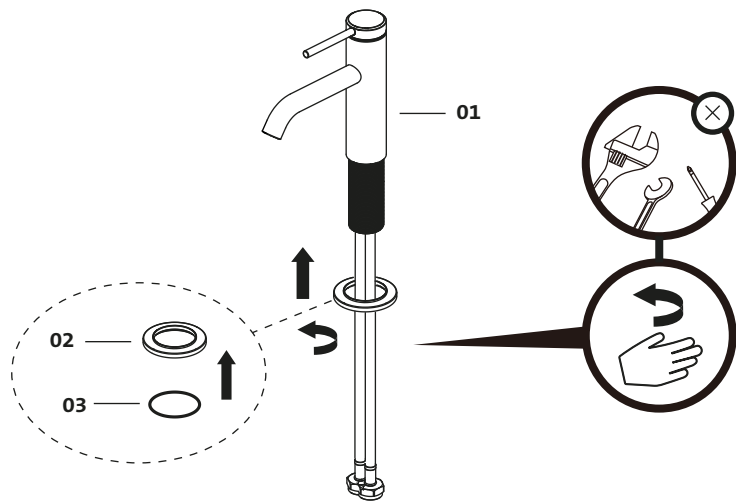
[01] x 1



[02] x 1



[03] x 1



03



[04] x 1



[05] x 1



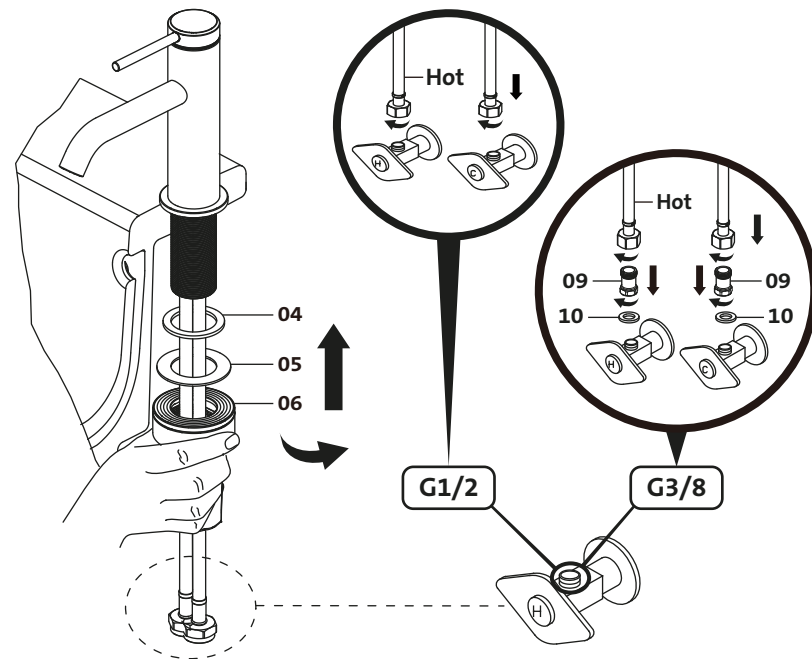
[06] x 1



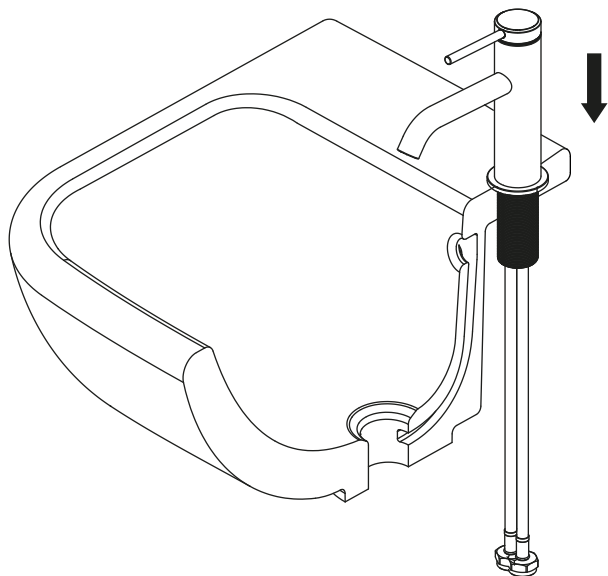
[09] x 2



[10] x 2



02



04



[08] x 1

