

Before You Start

This tap is suitable for use at water supply pressures of 0.3 bar (min.) to 5 bar (max.). If the tap is installed into a low pressure (tank fed) system, the minimum height from the outlet of the nozzle to the underside of the water tank should be at least 1 metres to ensure adequate performance.

Note: Bath (shower) mixers work best with a balanced water supply. The cold water feed should ideally be from the cold water tank and non-return valves should be fitted where possible.

This product must be connected to the water supply in accordance with the UK Building Regulations. If you are in any doubt about these requirements, contact a qualified plumber, your local Water Company, or the Water Regulations Advisory Service (WRAS).

(a) Identify all components and check pack contents.

(b) Turn off mains water supply. The main stopcock is usually situated where the supply enters the building.

(c) It is also recommended that the water heating arrangements are turned off.

(d) Drain the cold and hot water system. It is recommended to ensure complete drainage, that all taps are opened. There is no need to drain the heating system.

(e) If the hot and cold water supply is not balanced, non-return valves on both hot and cold should be installed in compliance with Water Supply (Water Fittings) Regulations, and comply with UK Building Regulations.

After Care

Ensure the tap is fully turned off after use.

To maintain the appearance of this fitting, ensure it is cleaned only using a clean soft damp cloth. A solution of warm water and mild liquid detergent may be used where necessary and then rinsed thoroughly. Abrasive cleaners or acidic cleaners **MUST NOT BE USED** under any circumstances.

Avoid contact with solvents.

Manufacturer's Guarantee

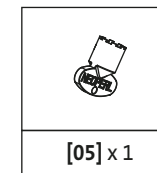
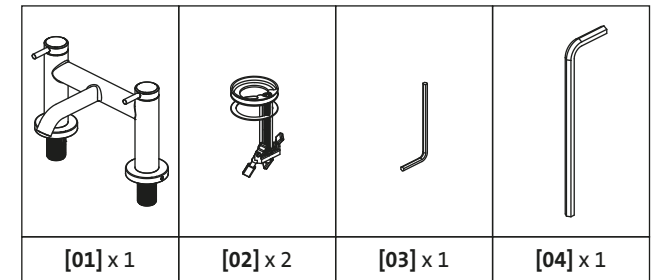
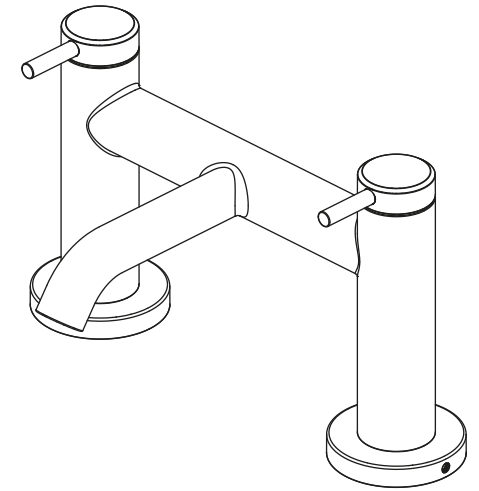
This tap is guaranteed to be free from faults arising from manufacturing defects for a period of 10 Years from the date of purchase.

Retain proof of purchase.

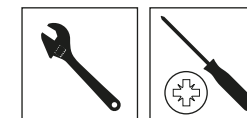
Please retain for future reference.

M^cALPINE

Kelvin Bath Mixer



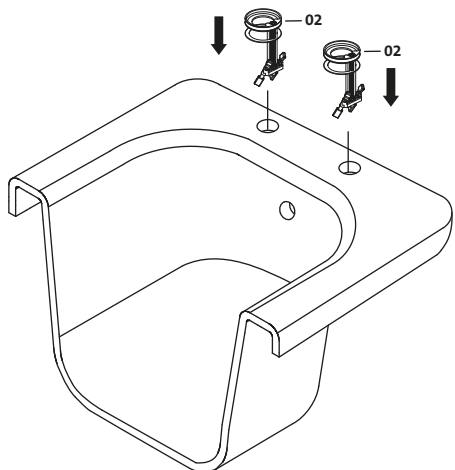
Tools Required:



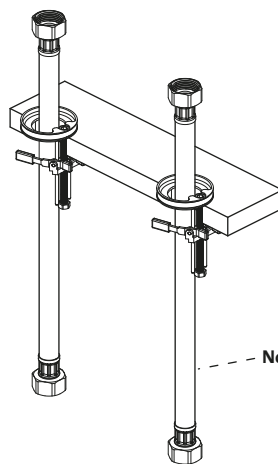
01



[02] x 2



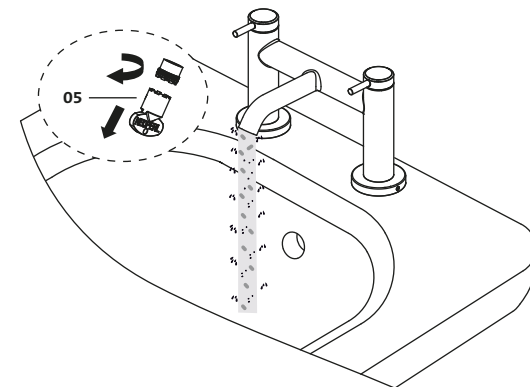
04



07



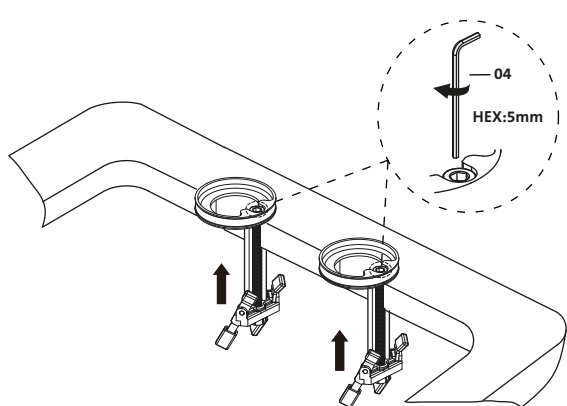
[05] x 1



02



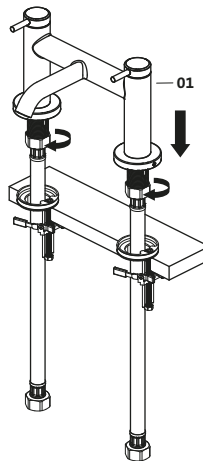
[04] x 1



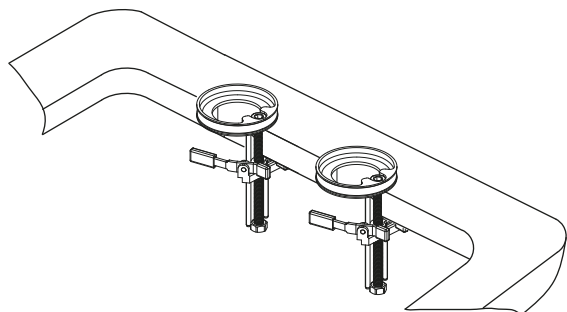
05



[01] x 1



03



06



[03] x 1

