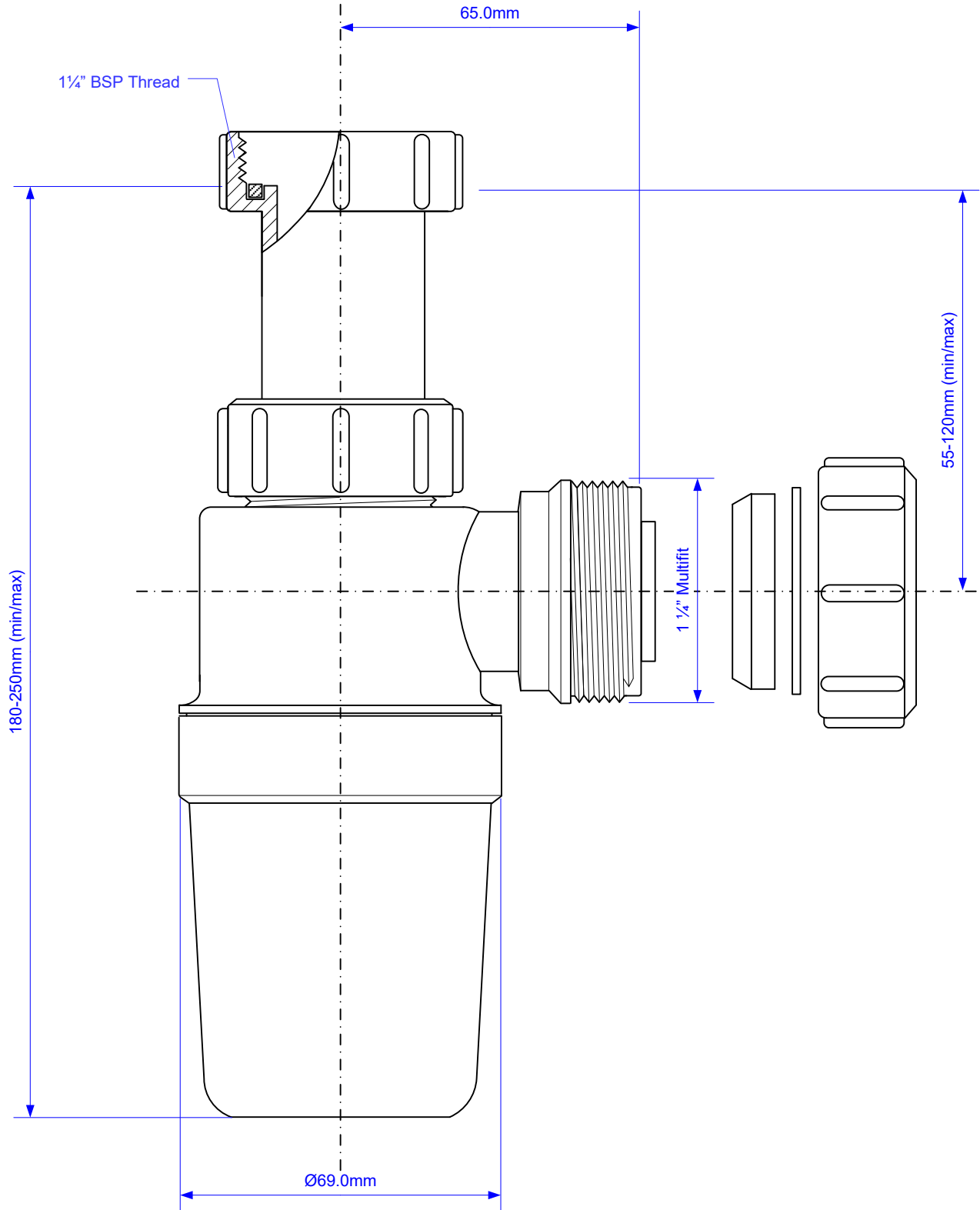


Code:

AA10-BL



WATER SEAL: 75mm

©

McALPINE

Drawing verified
correct as of:

22.11.24
T, Couper

DRAWN BY

TC

REVISED

SCALE

1: 1.25

FILENAME

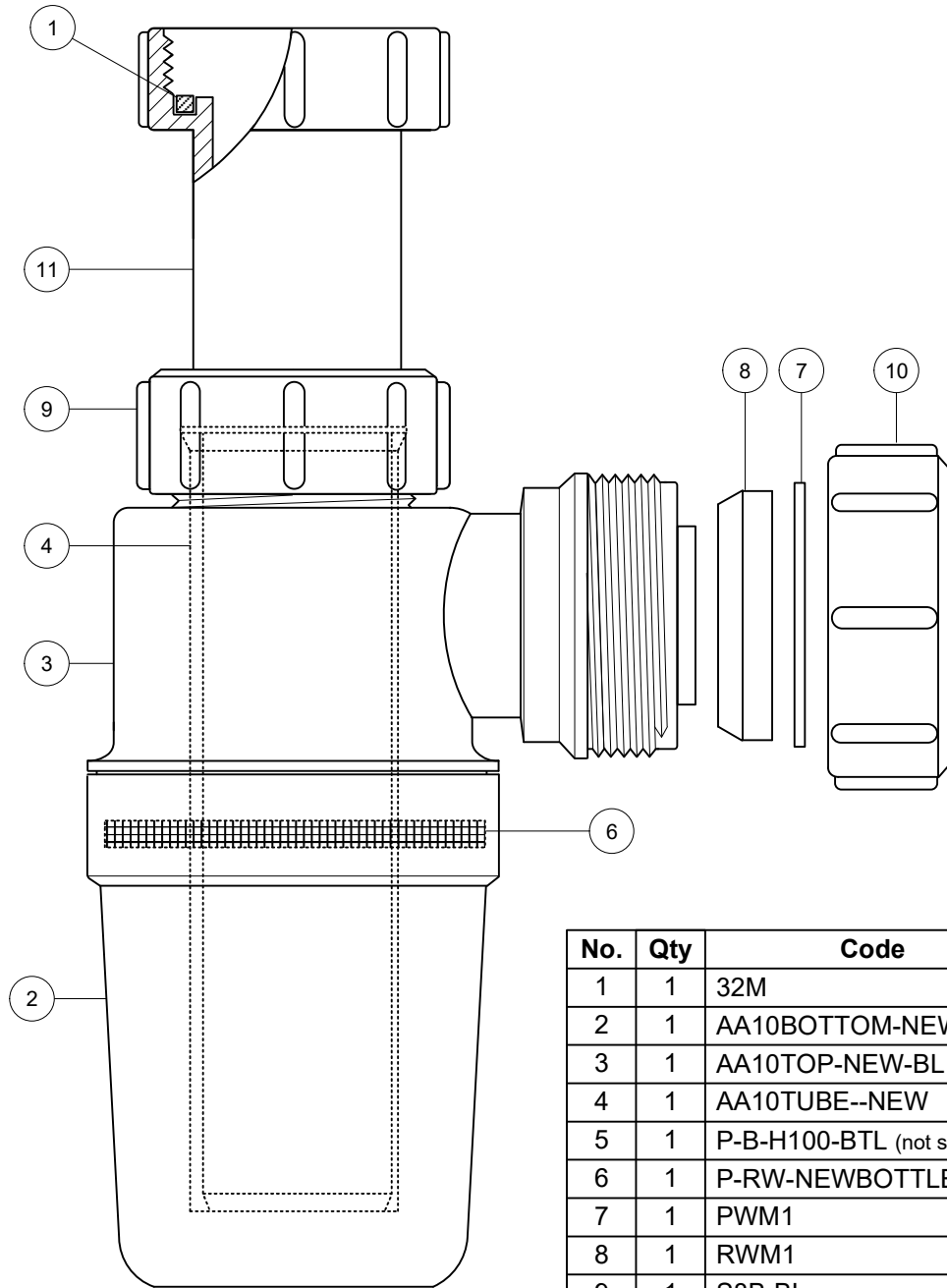
AA10-BL.VSD

DATE

22.11.24

Code:

AA10-BL



No.	Qty	Code	Material
1	1	32M	EPDM
2	1	AA10BOTTOM-NEW-BL	Black Polypropylene
3	1	AA10TOP-NEW-BL	Black Polypropylene
4	1	AA10TUBE--NEW	TPE
5	1	P-B-H100-BTL (not shown)	Polyethylene
6	1	P-RW-NEWBOTTLE	Nitrile
7	1	PWM1	Polypropylene
8	1	RWM1	TPE
9	1	S8B-BL	Black Polypropylene
10	1	S8M-BL	Black Polypropylene
11	1	STALK-32MM-120-BL	Black Polypropylene

WATER SEAL: 75mm



McALPINE

Drawing verified
correct as of:

22.11.24
T. Couper

DRAWN BY

TC

REVISED

SCALE

1: 1.25

FILENAME

AA10-BL.VSD

DATE

22.11.24