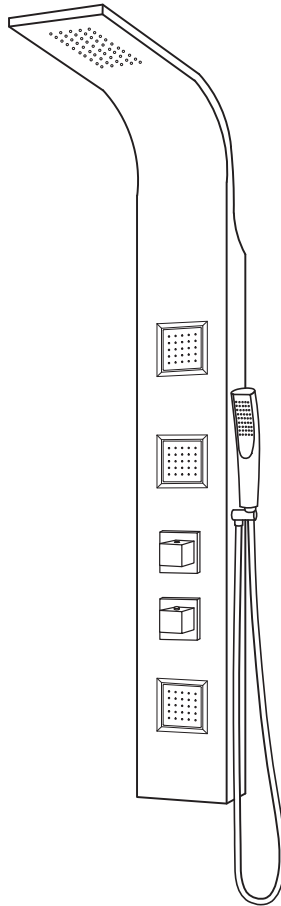


Round Shower Tower Panel



Fitting Instructions

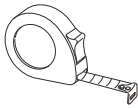
Please follow them carefully and
leave this manual with end user

Installation Guide

Before installation, please read this guide carefully.

1. **We recommend that this product is installed by a qualified tradesperson,** Victorian Plumbing Ltd. accept no liability for products incorrectly installed, or where the correct testing procedures have not been adhered to, thus resulting in the escape of water and consequential damage.
2. Observe all local plumbing and building codes & regulations.
3. Select the desired location for the shower tower ensuring the chosen wall is both strong enough and suitable.
4. **Check the chosen wall space for any pipes/cables prior to drilling.**
5. Ensure the incoming mains water supply is switched off prior to commencing the installation.
6. Carefully inspect the product for damage. If any damage is found, immediately contact our Customer Relations Team.

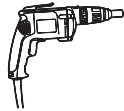
Tools required for Installation:



Tape Measure



Spirit Level



Drill



Adjustable Wrench



Pencil

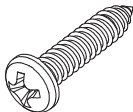


Screw Driver



PTFE Tape

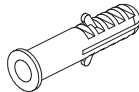
Fitting list:



Screws (x4)



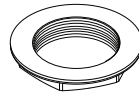
Brackets (x2)



Rawl Plug (x4)



Filters (x2)



Back-Nut (x1)



O-rings (x6)



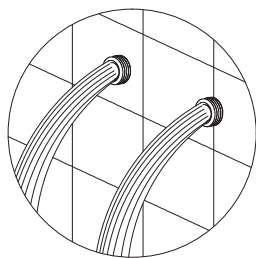
Shower Handset (x1)



Shower Hose (x1)



Shower Holder (x1)



Notice:

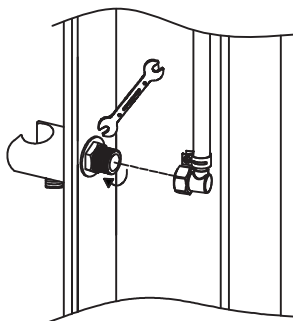
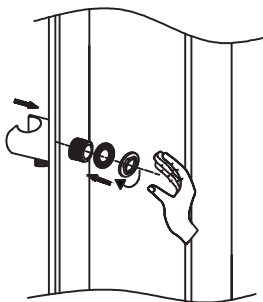
Before assembly; flush the water supply pipes thoroughly to remove any debris (allow the main stopcock open for about 3 minutes), otherwise dirt particles might affect the function of the shower panel.

Installation

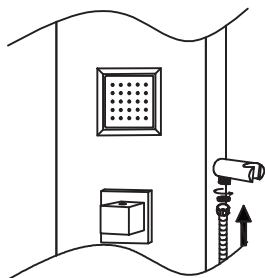
Diagrams are for illustration purposes only. Your Shower tower may superficially differ from this drawing however the installation guide steps still apply.

Step 1:

1. Insert the shower holder into the panel, screw the threaded connection at the back with a rubber O-ring and back nut to the shower holder.

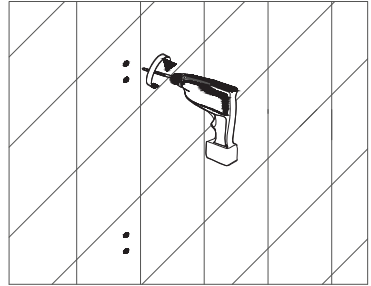
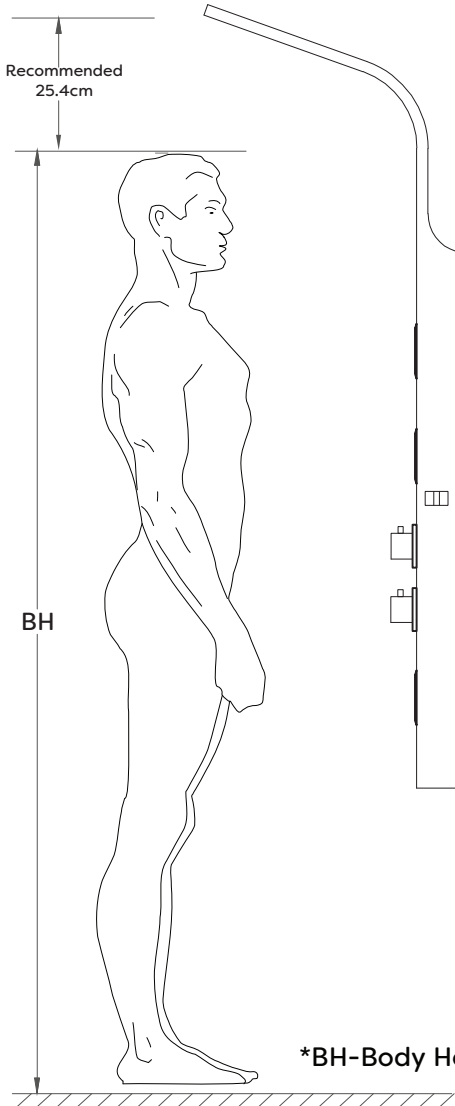


2. Connect the shower hose with two rubber gaskets to the handset and shower holder.

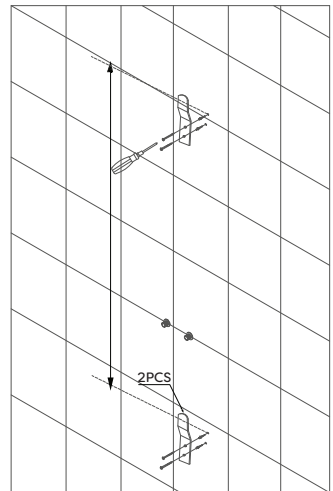


Step 2:

1. Calculate the height of the shower tower, and mark the bracket position on the wall.
2. Drill the holes in the wall using an appropriately sized drill bit and insert the rawl plugs included. Fix the brackets to the wall with the screws provided.



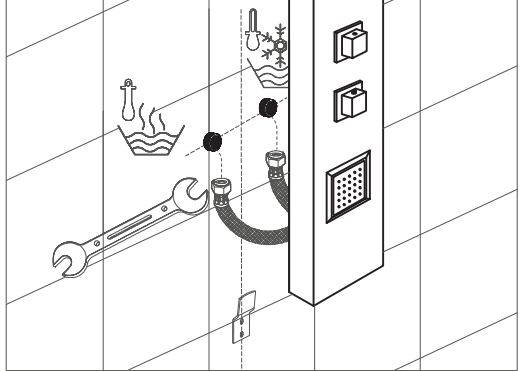
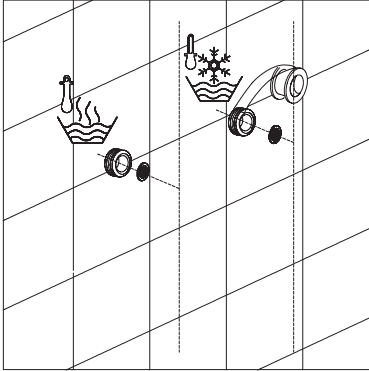
Warning:
Check the chosen wall space for
any pipes/cables prior to drilling!



Dimensions

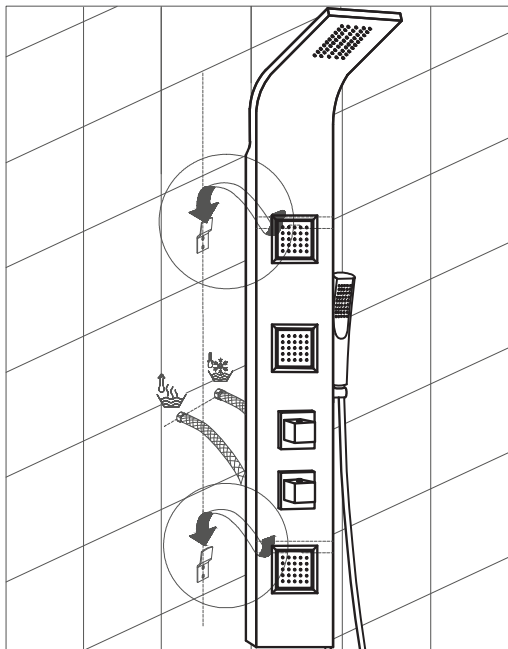
Step 3:

1. Wrap PTFE tape around the hot and cold water supply outlets. Place the filters into the hot and cold outlets.
2. Connect the two flexi-hoses to the water supply outlets, with the hot water supply on the left and the cold water supply on the right. Tighten with a spanner.



Step 4:

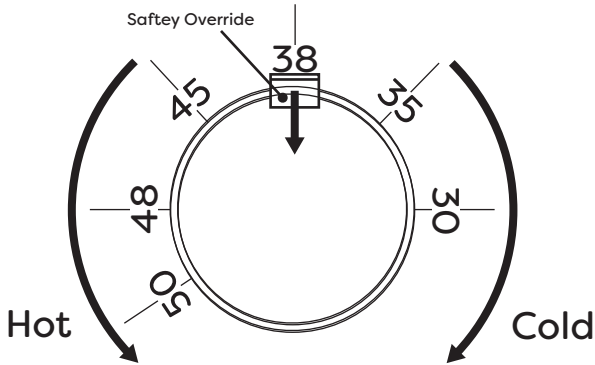
1. Hang the shower tower on the wall brackets.
Note: Ensure that the flexi-pipes are not twisted or kinked.



Step 5:

1. Turn on the water supply, run the shower and check all joints for any leaks.
2. Open the hot and cold water, test the shower with the temperature settings at 30°C, 38°C and 50°C.

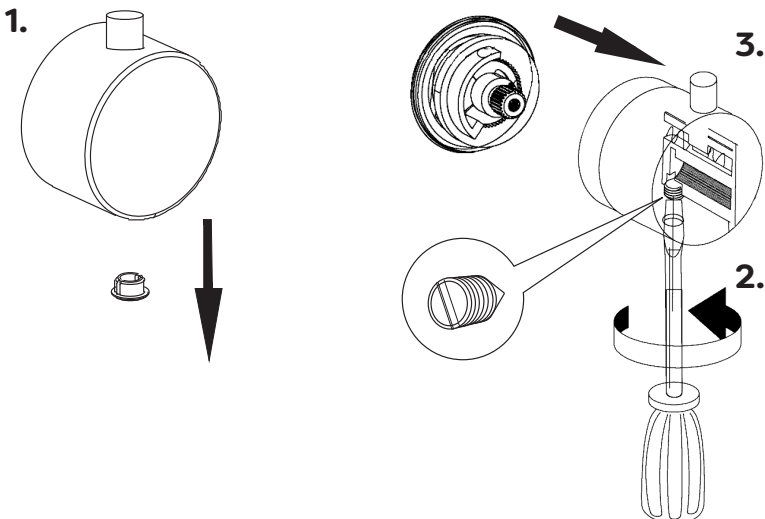
Note: To increase the temperature past 38°C, press the button on the temperature handle and turn anti-clockwise.



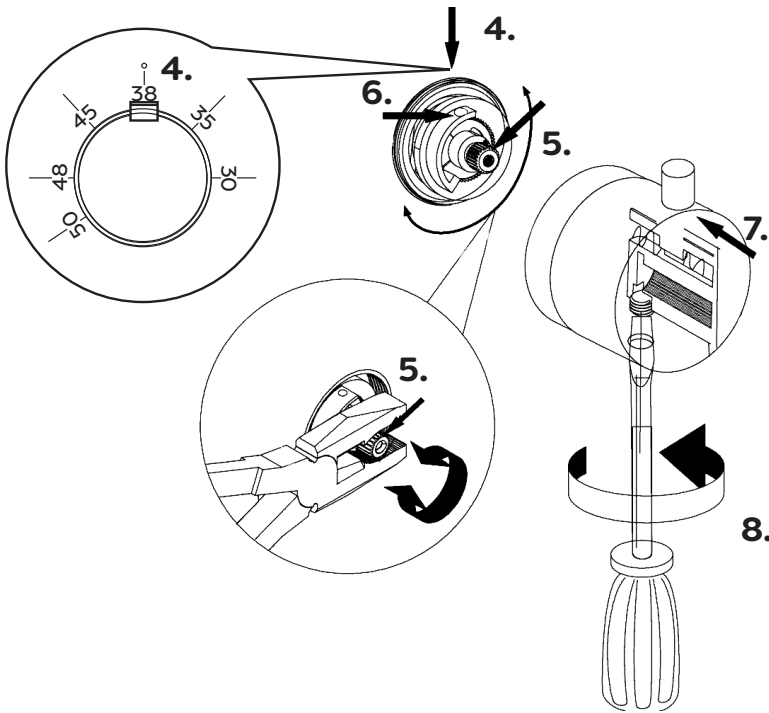
Temperature Adjustment:

The maximum temperature is factory set at 38°C. If you think it is not enough, you can adjust the above stop ring position to get a higher maximum temperature.

- Remove the bottom cover. Loosen the handle screw on the thermostatic mixer knob.

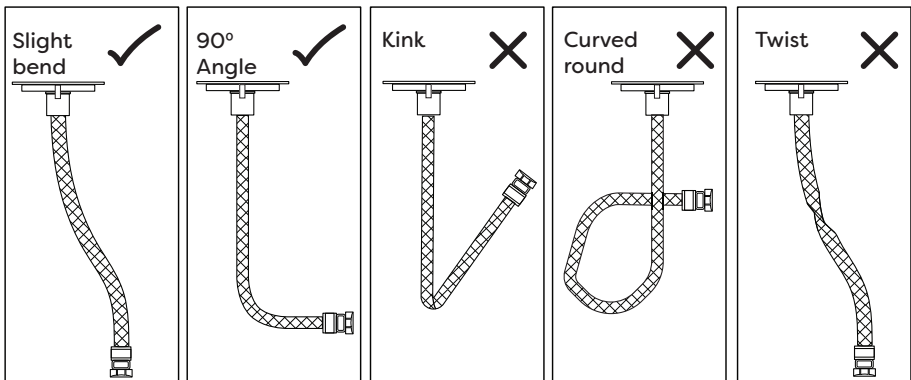


- To set the correct temperature indicator position; the three points on the scale plate, black plastic rotator limiter and slotted axial valve should line up to the 12-O'clock position. Achieve the temperature you want, turn the flow control you want, and refit the handle.



Flexible Connecting Pipes:

When installing the flexi-pipes to the household pipework. Special care must be taken to ensure they do not bend sharply causing a kink or twist. Failure to do so may result in poor performance and damage to the flexi-pipes.



Maintenance:

If the water flow is less than normal and temperature control is imprecise after a period of usage. It is often due to the poor water which blocks the small filter net. The cleaning method: First, turn off the water supply remove the shower tower from the brackets. Then unscrew the end caps off the flexi-pipes with an adjustable wrench. Now you can clean the small filter net with brush and vinegar. After completion, rinse it and reassemble all the parts back. At last, check the water flow and temperature control.

Aftercare:

Always clean the surface of the shower tower to keep it bright. **Attention:** please do not use inappropriate tools such as sharp brushes, rough sponges, scouring pads or corrosive detergent to clean the shower tower. Please clean the shower tower by wet cloth and soapy water after each time of usage. Then rinse the soap out with clean water and dry with a soft cotton cloth.

Troubleshooting

FAULT	POSSIBLE CAUSE
Shower only runs hot or cold after installation	<ol style="list-style-type: none">1. Hot and cold supplies have been plumbed the wrong direction.2. Faulty thermostat.3. Insufficient water pressure.
Shower does not run hot enough	<ol style="list-style-type: none">1. Check the hot water supply temperature.2. Maximum temperature needs adjusting, see temperature adjustment.3. Blockage in the hot supply.
Hot water in cold supply or vice versa	<ol style="list-style-type: none">1. Check and clean non-return valves.2. Check Hot and Cold supplies have not been reversed during installation.
Low or no flow	<ol style="list-style-type: none">1. Possible blockage/debris in the system.2. Operating conditions are incorrect.3. Valve shut off has been activated due to a pressure drop in either the cold or hot supplies.
Leaking when in the off position	<ol style="list-style-type: none">1. Debris in the flow control cartridge.2. Faulty control cartridge.
Fluctuating flow	<ol style="list-style-type: none">1. Dynamic inlet pressure are not balanced.