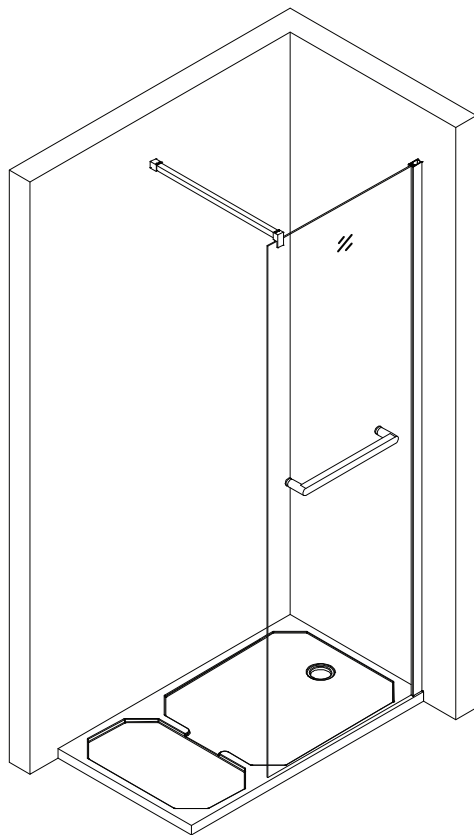
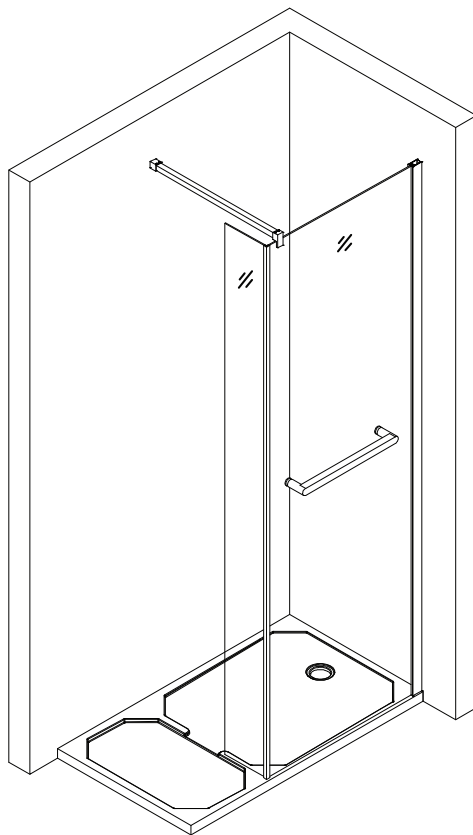


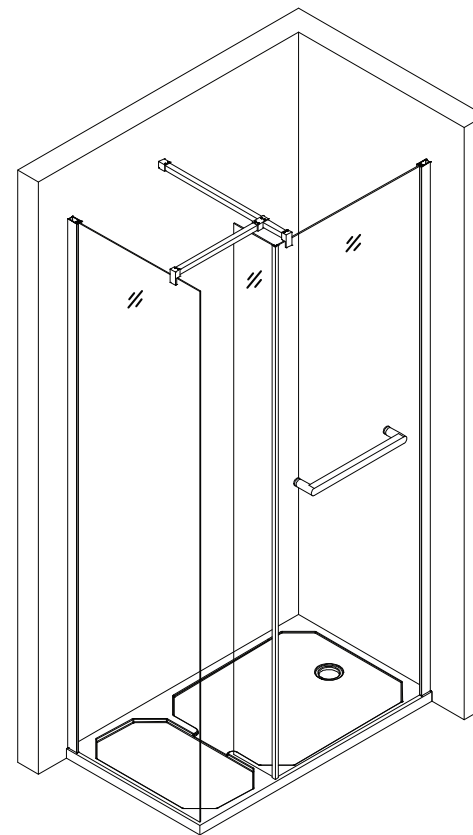
Walk In Shower enclosure



**RSF003-850F
RSF003-880F
RSF003-1136F**



**RSF003-850F
RSF003-880F + RSF003-240R
RSF003-1136F**



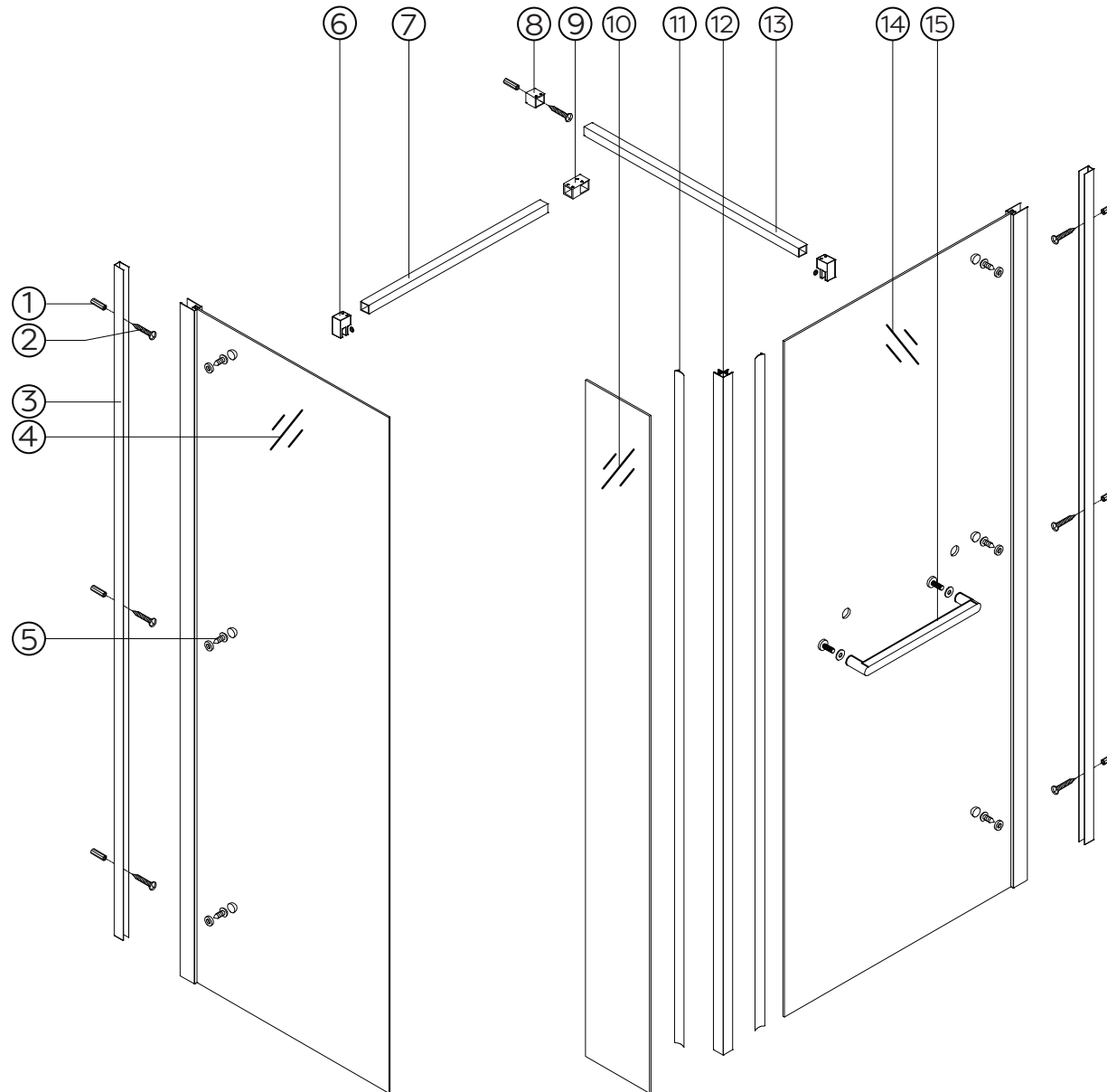
**RSF003-850F
RSF003-880F + RSF003-240R + RSF003-880s
RSF003-1136F**

**RSF003-760S
RSF003-900S**

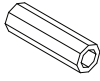

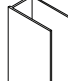
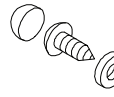
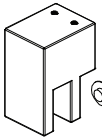
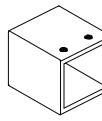
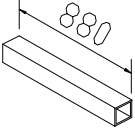
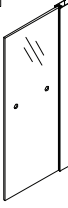
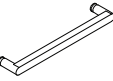



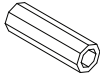
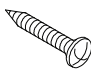
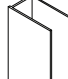
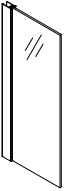
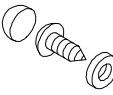
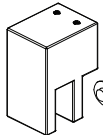
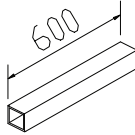
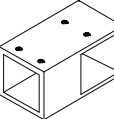
Fitting Instructions

Please follow them carefully and
leave this manual with end user

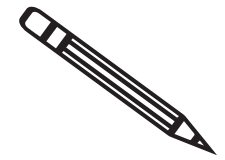
Fitting List:



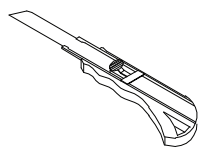
Diagrams are for illustration purposes only. Your Shower Enclosure may superficially differ from this drawing however the installation guide steps still apply.

RSF003-850F RSF003-880F RSF003-1136F	1	2	3	5	6	8	13	14	15
									
	D6X30 4Pcs	ST4X30 4Pcs	RSF-W01 1Pc	ST4X12 3Pcs	RSF-X02 1Pc	RSF-X01 1Pc	RSF-W04 1Pc	1Pc	RSF-X04 1Pc
RSF003-240R	10	11	12						
									
	1Pc	RSF-Z01 2Pcs	RSF-W02 1Pc						
RSF003-760S RSF003-880s RSF003-900S	1	2	3	4	5	6	7	9	
									
	D6X30 3Pcs	ST4X30 3Pcs	RSF-W01 1Pc	1Pc	ST4X12 3Pcs	RSF-X02 1Pc	RSF-W03 1Pc	RSF-X03 1Pc	

Tools:



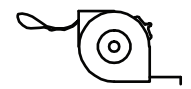
Pencil



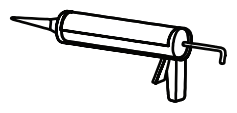
Safety Blade



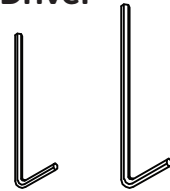
Screw Driver



Tape Measure

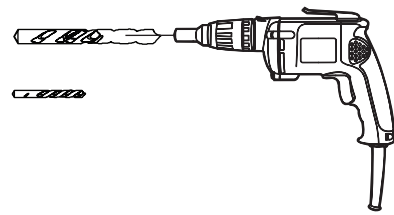


Silicone Sealant



Allen Key (2mm & 4mm)

Ø6mm
Ø3.2mm



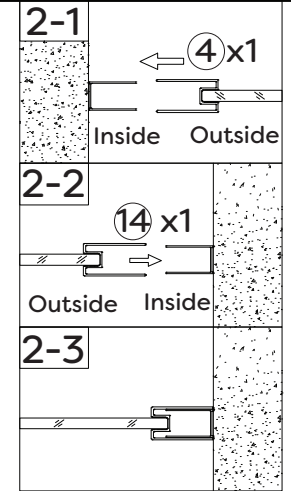
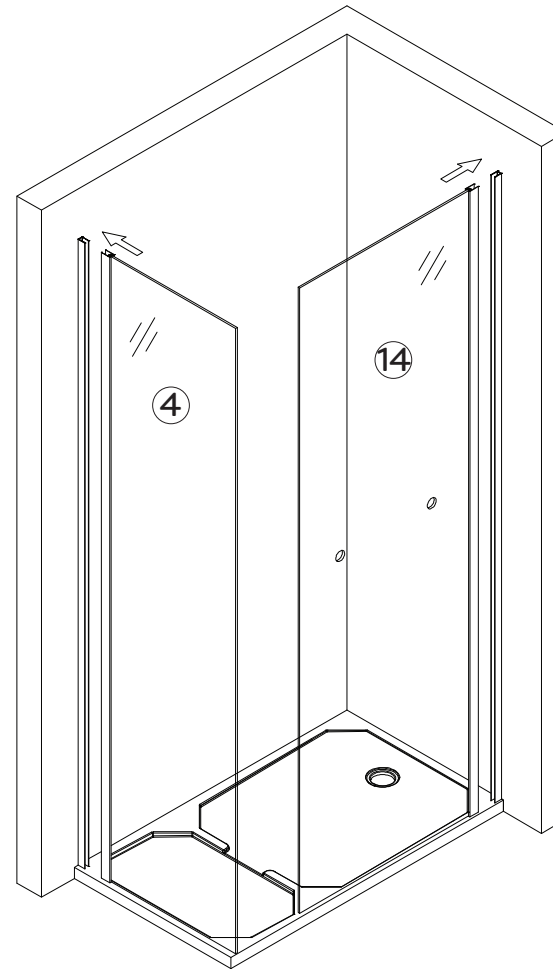
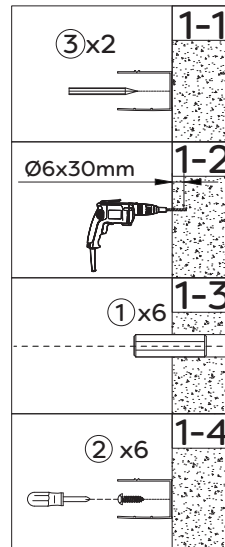
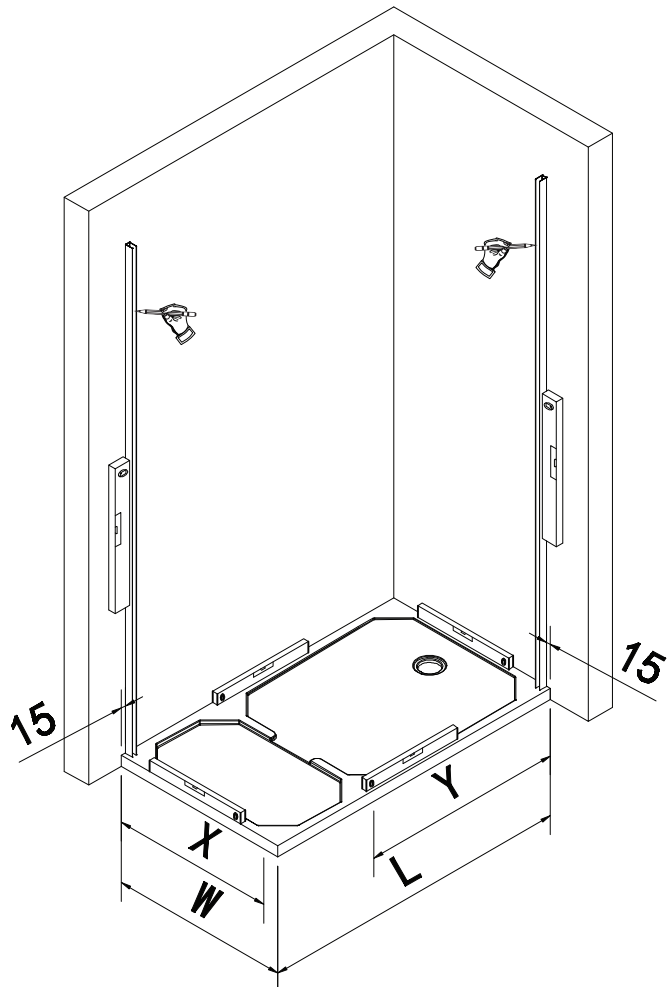
Power Drill



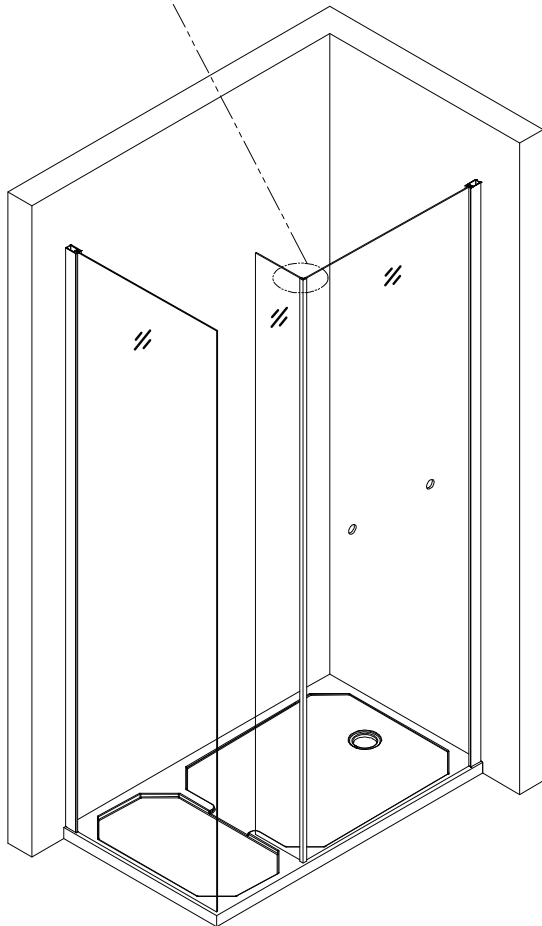
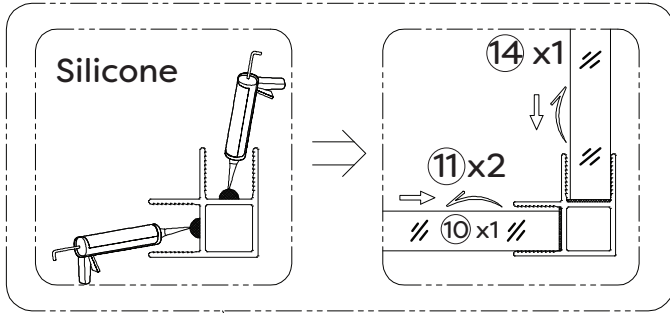
Spirit Level

1

L	W	X	Y
760	1680	713-733	1110-1130
810	1410	763-783	830-850
910	1450	863-883	855-875

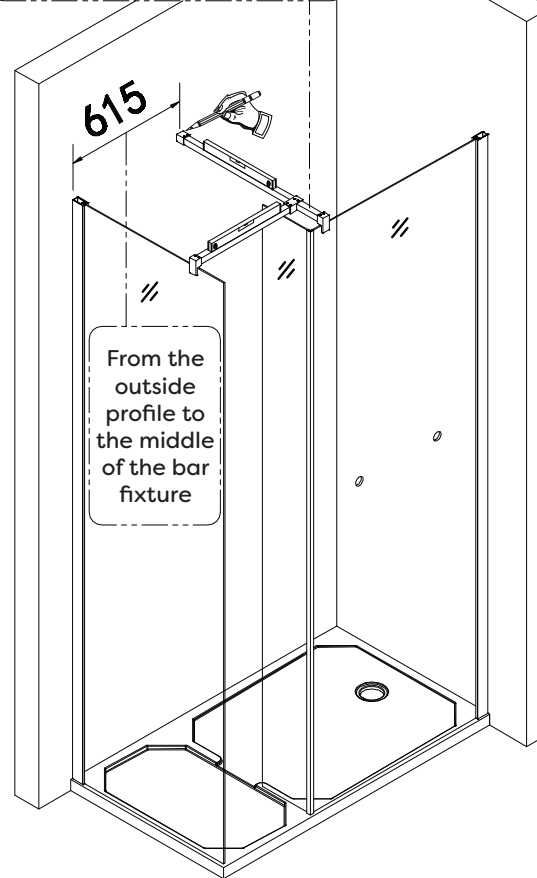
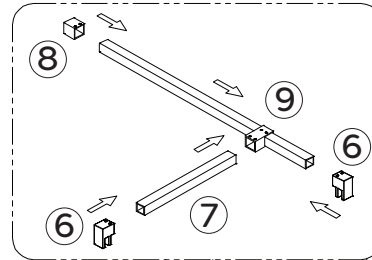
2

3

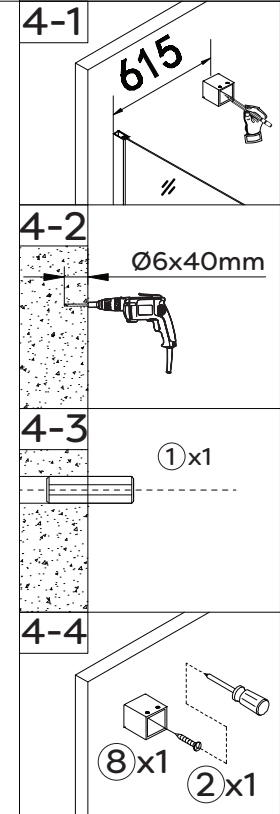


4

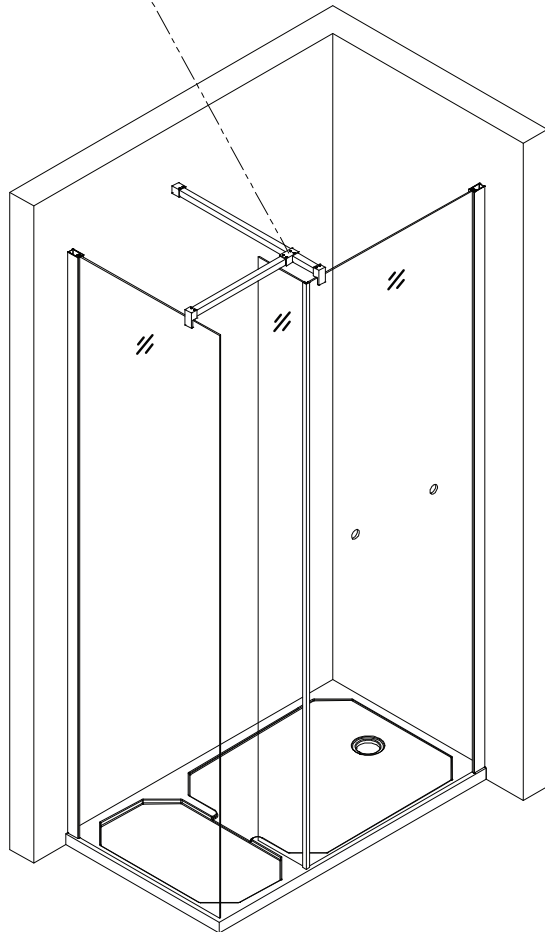
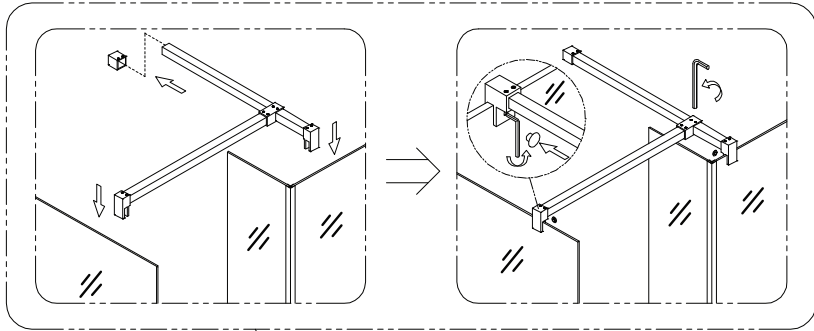
Note: Cut the supporting bar (part 13) to the suitable length according to the tray size.



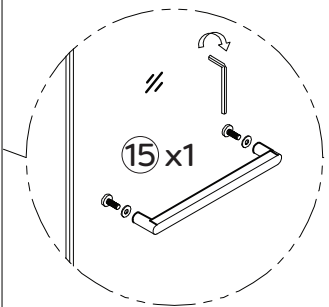
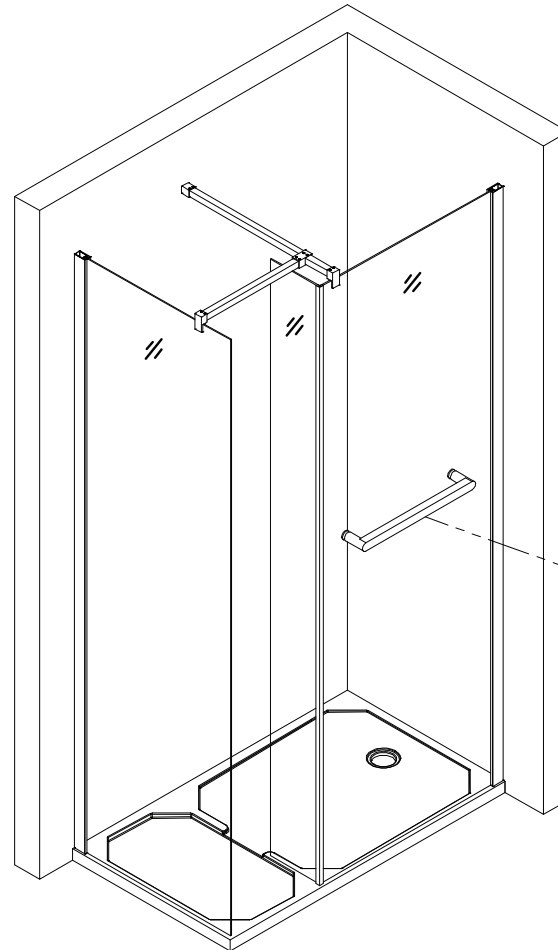
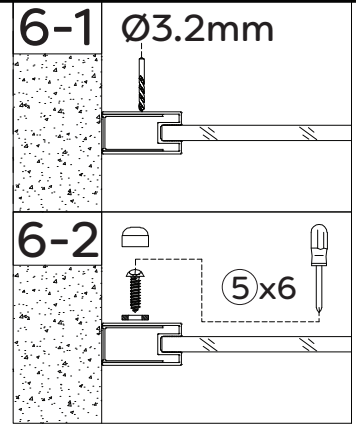
W	13
760	730
810	780
910	880



5



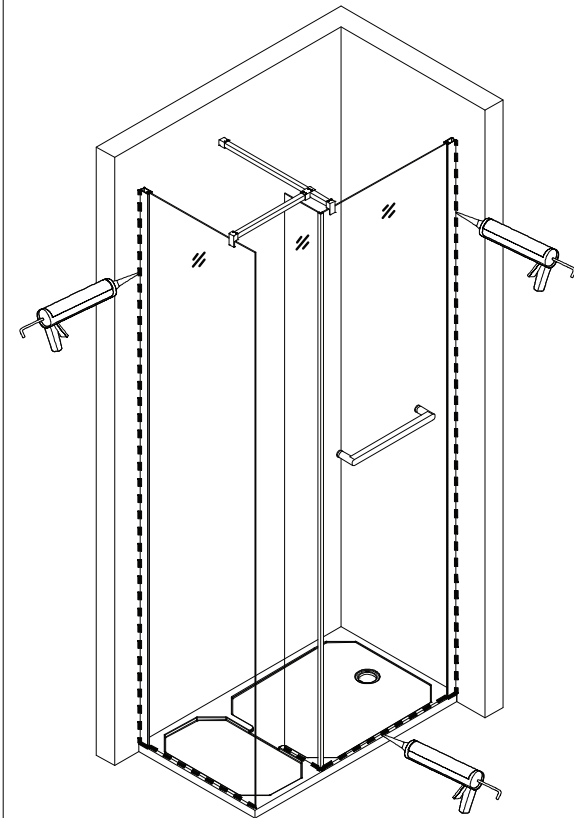
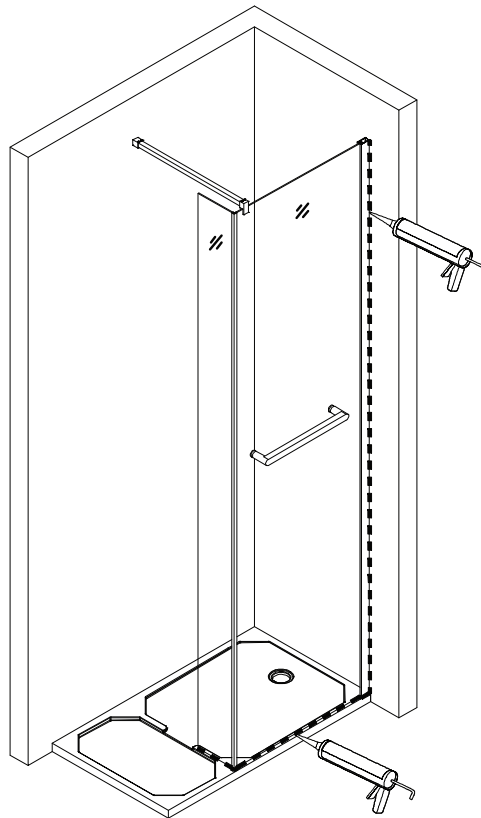
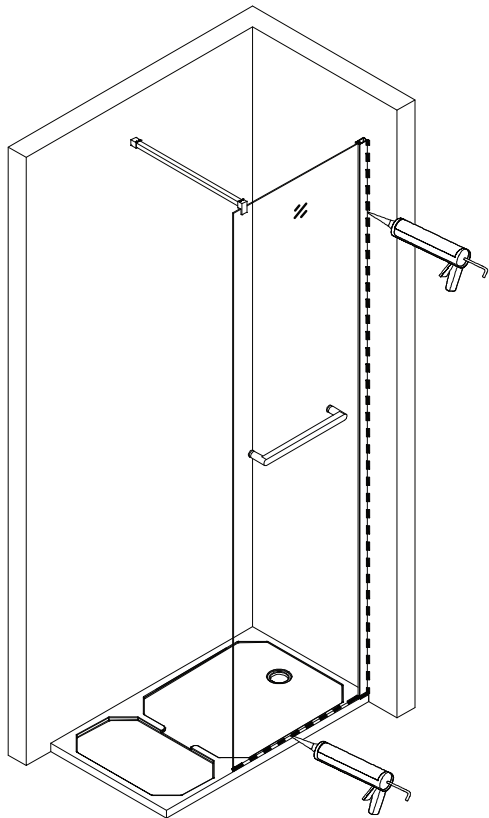
6



7

Attention:

Do not use your shower enclosure within 24 hours of assembly. Do not use caustic cleaning products or abrasive material when cleaning your shower enclosure.



Safety Information for User & Installer

Important information for fitter:

- We recommend that this product is installed by a qualified tradesperson, Victorian Plumbing Ltd. accept no liability for products incorrectly installed, or where the correct testing procedures have not been adhered to, thus resulting in consequential damage.
- Incorrect installation of the enclosure will invalidate guarantee.

Important information for fitter:

- Carefully check the product for transport damage prior to installation.
- Never install damaged panels as there is a risk of spontaneous glass breakage. The supplied fixings/wall plugs are only for mounting directly on solid walls.
- It is essential that the solid, masonry/walls be inspected for adequate load-bearing capacity prior to every installation. The supplied fixings/wall plugs are not for use with stud walls such as plaster board, wood, metal or fiber board.
- Always seek professional advice to confirm wall type and appropriate type of fixing to be used for installation. Always check walls for concealed utility lines (power, gas, and water) prior to drilling the fixing holes.

Special information on handling glass:

- Always protect all glass edges from damage.
- Never stand the glass on its corners throughout the installation! Place the packing material beneath the glass panel; never place the glass on tiles, concrete floors or similarly hard surfaces.
- It is mandatory to check each glass panel for damage prior to installation. Never install damaged glass panels as this could cause spontaneous glass breakage!
- If the glass panel is damaged during use it must be replaced without delay. (Failure could cause a risk of spontaneous glass breakage!)

Prevent damage to glass or operation of the product:

- Ensure fittings do not hinder the movement of the door.
- Ensure that no objects are within the range of the door opening/ closing area.
- Avoid hitting the panels with hard objects such as mops when cleaning or tools during assembly. Damaged panels must be replaced as failures may cause latent glass breakage.
- Do not hit against the glass edge with hard or pointed objects (e.g. with mop handle) Damaged panels must be replaced; damage may cause spontaneous glass breakage.
- Do not use panels or handles to hang or support items such as drying towels or clothes.

Maintenance Information

Service/repair and inspection for safety

- After cleaning, check all the moving elements are sufficiently greased, re-grease if necessary, only use acid-free grease.

Cleaning

Do not use steam cleaners, caustic or aggressive cleaning and scouring agents, cleaners that corrode plastics, or solvents containing acetone, turpentine or neat bleach.

- Do not use any cleaning agents, which according to the manufacturer's specifications may corrode aluminium or light alloys.
- Do not use glass cleaning pastes and micro-fibre cloths to prevent damage to glass coating system.
- In order to prevent the build-up of lime scale, remove any remaining drops of water after showering using a squeegee, soft cloth without any cleaning agent.
- After use, carefully rinse off all residue such as; liquid soaps, shampoos, shower gels or similar cosmetic product with water to avoid deposits.

Important: Never apply the cleaning agent for longer than necessary. After cleaning, check all the moving elements are sufficiently greased, re-grease if necessary.

Recycling and Disposal

Please recycle the packaging in accordance with your local government regulations on waste handling, and follow the same advice at the end of the products life.

For more Information

Visit: victorianplumbing.co.uk