

Fastcap™

Tile Levelling System

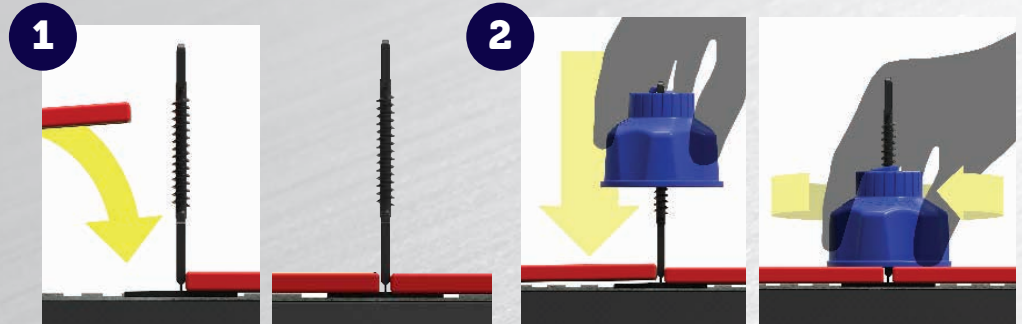


NEW!



1. How to place

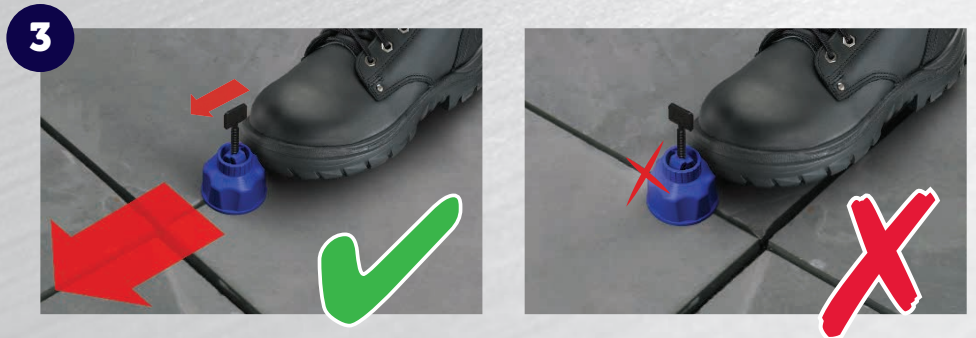
Place Spacer Bases under tile once thinsset has been applied.



2. How to push down

The cap will auto-align with the top of the base. Once the base is lined up with the ratchets of the cap, simply push the cap down to the tile.

Turn the cap until the adjacent tiles are level, no need to over-tighten.



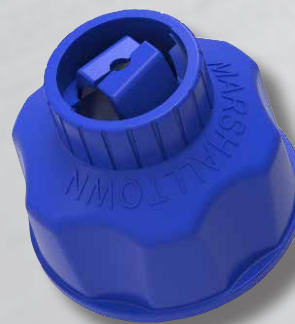
3. How to Set

It's important to break the ratchet caps loose by kicking them in the direction of the top of the spacer base (in line with grout joint).

4. How to remove bases from caps

Grab the top of the spacer base and the cap. No need to spin the cap off of the base, simply pull the base through the TOP of the cap. The internal helix will automatically align the base to pull through the cap.

NOTE: Pulling gently and letting the cap and base turn as you pull will allow for automatic alignment.

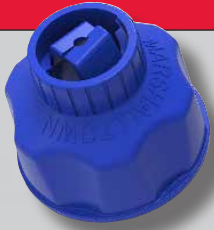


Speak to your Rollins representative today or contact us

T// +44 (0) 1279 401570 F// +44 (0) 1279 401580 E// info@rollins.co.uk



Ratchet Caps

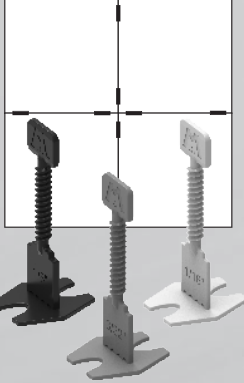


FASTCAP250 | 29236

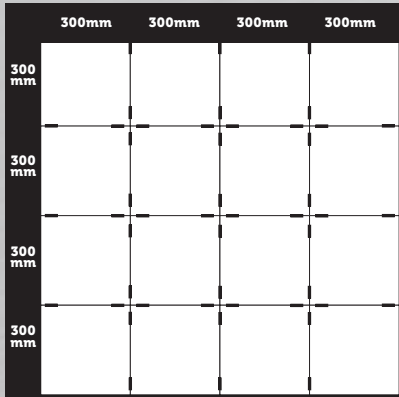


Straight Spacer Bases

Description	Part No.	EDI No.
3.0mm (1/8") Black	BASE18STRB	29240
2.5mm (3/32") Grey	BASE332STRB	29239
1.5mm (1/16") White	BASE116STRB	29238

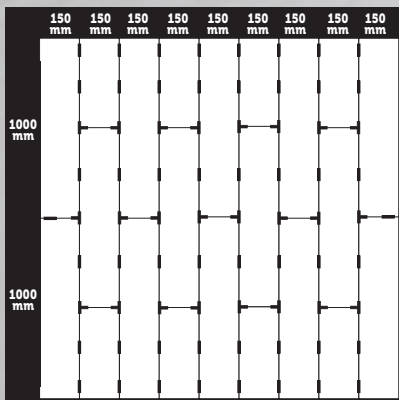


How to use Spacer Bases



Straight Spacer Bases can be used in a traditional method.

4 Spacer Bases used per intersection.

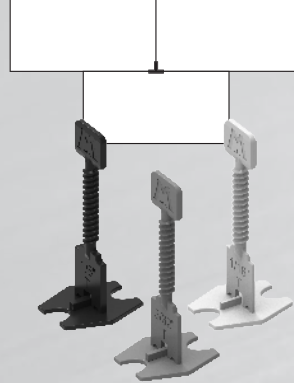


Straight Spacer Bases should also be used in straight grout joints, every 300mm from intersections.

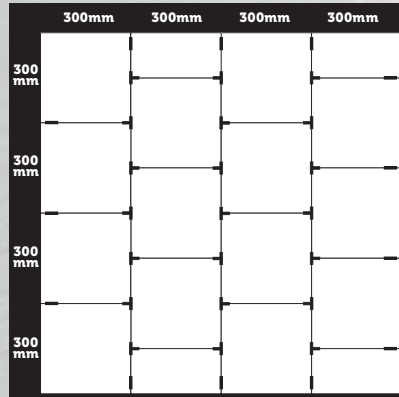
Use 1 straight spacer every 300mm along larger tiles.

T Spacer Bases

Description	Part No.	EDI No.
3.0mm (1/8") Black	BASE18TB	29246
2.5mm (3/32") Grey	BASE332TB	29245
1.5mm (1/16") White	BASE116TB	29244



How to use T Spacer Bases



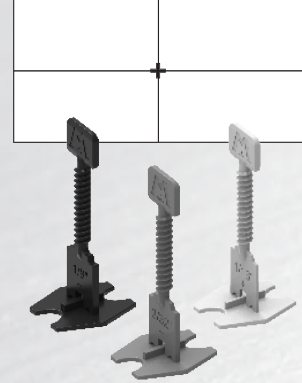
T Spacer Bases can be used 1 per intersection, in place of 3 Straight Spacer Bases.

T spacer used per intersection.

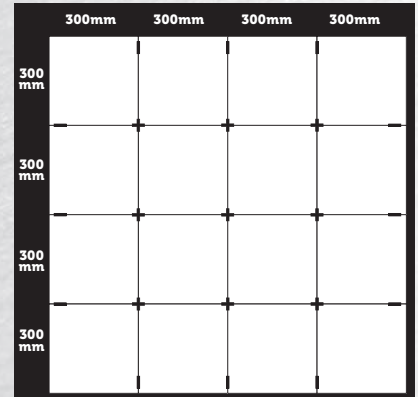
Use Straight Spacer Bases against walls.

Plus (+) Spacer Bases

Description	Part No.	EDI No.
3.0mm (1/8") Black	BASE18+B	29243
2.5mm (3/32") Grey	BASE332+B	29242
1.5mm (1/16") White	BASE116+B	29241



How to use (+) Spacer Bases



+ Spacer Bases can be used 1 per intersection, in place of 4 Straight Spacer Bases.

1 + spacer used per 4 tiles.

Use Straight Spacer Bases against walls.

Part No	Description	Qty	List Price
FASTCAP250	FASTcap Ratchet Cap	Bucket of 250	£100.66
BASE18STRB	3mm (1/8") Spacer Base Straight	Bag of 250	£46.06
BASE332STRB	2.5mm (3/32") Spacer Base Straight	Bag of 250	£46.06
BASE116STRB	1.5mm (1/16") Spacer Base Straight	Bag of 250	£46.06
BASE18TB	3mm (1/8") Spacer Base T	Bag of 250	£46.06
BASE332TB	2.5mm (3/32") Spacer Base T	Bag of 250	£46.06
BASE116TB	1.5mm (1/16") Spacer Base T	Bag of 250	£46.06
BASE18+B	3mm (1/8") Spacer Base +	Bag of 250	£46.06
BASE332+B	2.5mm (3/32") Spacer Base +	Bag of 250	£46.06
BASE116+B	1.5mm (1/16") Spacer Base +	Bag of 250	£46.06

For product video visit: Rollins Group UK on YouTube