



**WHIRLPOOL SYSTEM**

**INSTALLATION INSTRUCTIONS AND USER GUIDE**

**SYSTEM SERIAL NO. ....**

Keep a note of this number. It is unique to your system and will be required in the event of a warranty claim.

**Test and inspection record:**

**Pump operation** .....

**Control operation** .....

**Pipe work** .....

**Finish - fittings** .....

**Finish - bath** .....

**Checked by** ..... **Date** .....

**PLEASE READ THESE INSTRUCTIONS CAREFULLY BEFORE COMMENCING INSTALLATION**

The proposed installation must allow access to the pump for servicing, with apertures large enough to facilitate removal of the pump.

Before commencing installation, remove packaging materials and check the bath, pipe work and pump for signs of accidental damage.

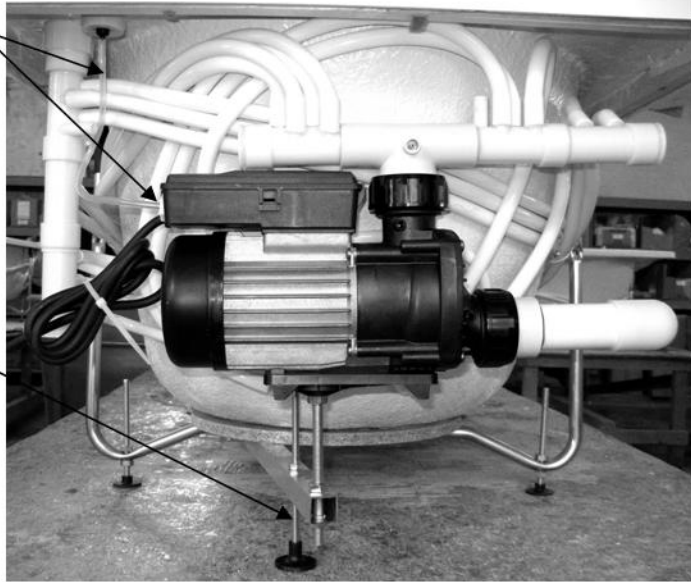
**THIS DOCUMENT SHOULD BE RETAINED BY THE END USER**

## **INSTALLATION**

### **THIS SHOULD BE CARRIED OUT BY A QUALIFIED PLUMBER**

**Before moving the bath into position, set it level and to the required height.**

1. If the system is pneumatically controlled, check that the pipe from the on/off button to the pump is not trapped or kinked.
2. For electronically controlled systems, check that the wiring from the touch pad to the pump control box is intact.
3. Check that any bath panels to be fitted will clear the pump and pipe work.
4. Adjust the pump support foot so that it rests on the floor. Do not force the pump too high as this could prevent priming and put a strain on the pipe work.
5. The bath can now be moved into position and fixed according the bath manufacturers instructions. Ensure that there is wall side clearance for the pump and pipe work. The water and waste connections can now be made.



## **ELECTRICAL CONNECTION**

### **THIS SHOULD BE CARRIED OUT BY A QUALIFIED ELECTRICIAN**

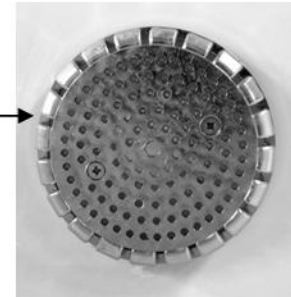
1. Supply requirements—240v, 13amp, live, neutral, earth.
2. Wiring must comply with all regulations for electrical wiring as published by the Institute of Electrical Engineers.
3. The supply must be via an earth leakage circuit breaker / residual current device ( ELCB, RCD, RCCB. ) rated at 13amp minimum with a 30milliamp trip current. The supply should be installed on a switched fused spur which, together with the RCD, should be fitted outside the room where the bath is installed.
4. The pump is factory wired with a length of twin and earth flex for connecting to the power supply. If the connection is made in the room where the bath is installed, the connector must be rated to at least IP55.
5. There is no need to remove either the motor terminal block cover, the timer control box cover if fitted, or the electronic control box cover if fitted. Doing so without authorisation from Kimbledale Ltd. will invalidate the warranty.
6. The supply should be checked to ensure earthing is in existence and is satisfactory.

## TEST PROCEDURE

**THIS SHOULD BE CARRIED OUT BEFORE PANELS ARE FITTED AND TILING IS COMPLETED.**

### Pneumatic Controls

1. Isolate the power supply.
2. Ensure that the bath does not contain any debris and that the suction fitting is clear
3. Fill the bath with water at 35-45 deg.C to completely cover all the jets
4. Check the pump, connections and pipe work for leaks.
5. Switch on the power supply and press the on/off button to start the system. Run the system for 10 mins. whilst checking for leaks.



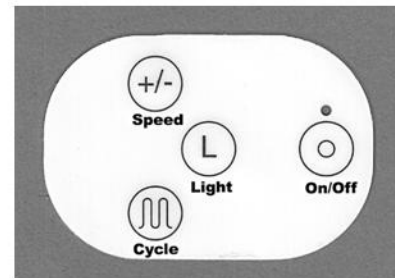
With the air control

open (turn anti-clockwise), check that all the jets are working correctly. Closing down the control (turn clockwise) will eliminate most of the air bubbles from the jets. Run the system again for 10 mins. with the air control closed, checking for leaks.

Switch off and leave the bath filled for 10 mins.

### Electronic Controls

1. Follow steps 1 to 4 as above and switch on the power.
2. Press the on/off symbol on the touch pad to start the system, run the system for 10 mins. checking for leaks.
3. Press and hold the speed control, the pump should gradually slow down. When it reaches its slowest speed, giving a very gentle jet pressure with only a minimum amount of bubbles, it will then speed up to return to the high speed setting.
4. Press the cycle control once. The pump should speed up and slow down automatically.
5. Press the light control to switch the light on and off.
6. Check the pump, connections and pipe work for leaks whilst operating the system for 10 mins.
7. Check that all the jets are operating.
8. Switch off the system leave the bath filled for 10 mins. then check again for leaks and drain.



If the system is leak free and operates correctly, drain the bath and complete the installation.

**The system has been fully inspected and rigorously tested in our workshops. If, on installation it does not operate correctly or leaks occur, contact your supplier immediately. Attempts to repair or modify any of the fittings, pipe work or electrical equipment may cause damage and invalidate the warranty. If any adjustments or repairs are necessary after testing, the test procedure must be repeated.**

**IF IN DOUBT , PLEASE CONTACT YOUR SUPPLIER.**

## WHIRLPOOL SYSTEM USE AND MAINTENANCE

**Always ensure that the bath water level is above the jets before operating the system. Running the pump "dry" will eventually overheat the seal causing it to fail and leak.**



**Multipoint Jet**

No adjustment



**Clearwater Jet**

The eyeball nozzle in the centre of the jet can be swivelled to alter the direction of flow.

### **Controls**

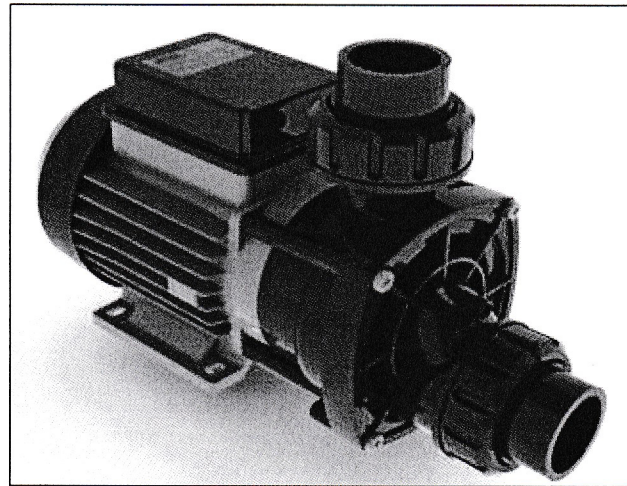
The operation and effect of both pneumatic and electronic controls can be found in the test procedure on the previous page.

### **General use and maintenance**

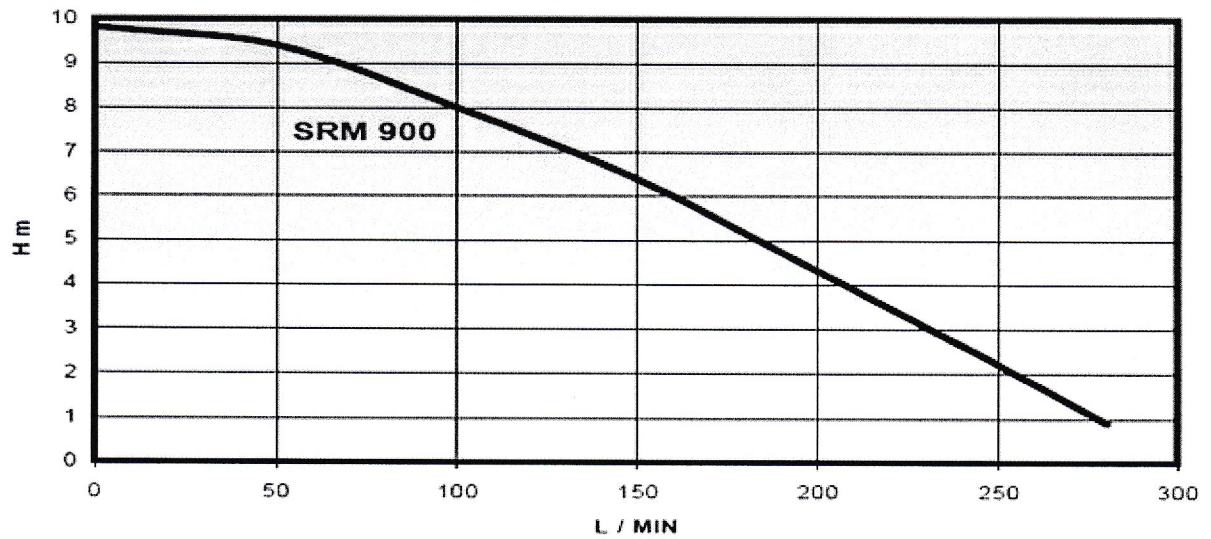
1. The system will not be affected by domestic bath additives such as bath salts or oils. Bubble bath should be used very sparingly, as the aeration effect of the jets can produce large amounts of foam very quickly. Low foaming bath oils such as "AQUA SAMBA" are ideal for whirlpool and spa baths.
2. Normal hygiene procedures should be observed with the additional periodic use of a sanitizing agent. "SPA CARE" is recommended as it not only sanitizes the system it also helps prevent the build up of soap and oil deposits.
3. If the bath is not to be used for any length of time such as a holiday period, it is recommended that the system be sanitized after the last bath before you leave and again before use on your return.
4. The system has been fitted to achieve optimum drainage. Drops of water will continue to drain out of the jets and suction for some time after the bath has been emptied, this is quite normal.
5. Normal domestic bathroom cleaners can be used on all the system fittings. Abrasive or corrosive cleaners must not be used as damage to the bath and fittings may occur.
6. If a separate RCD is fitted specifically for the system it should be periodically checked by pressing the "test" button - the device should instantaneously switch off. Reset the device by pushing the main switch to the "on" position. If the RCD does not switch off when tested it must be checked by a qualified electrician and replaced if necessary.
7. Under normal operating conditions, no servicing of the system should be required for the life of the product. There are no user serviceable components, if a fault does occur please contact your supplier.
8. Young children should not use whirlpool/spa baths unsupervised. Elderly, weak or disabled people should take care when using whirlpool/spa baths - if in doubt, seek medical advice.

**Space saving whirlpool pump with self draining**

SRM 900	Technical Specifications
max. Hm	9,8
max. l/min.	290
~1 Amp.	3,25
Kw	0,69
HP	0,92



**Pump Performance Curve**



**Dimensions**

