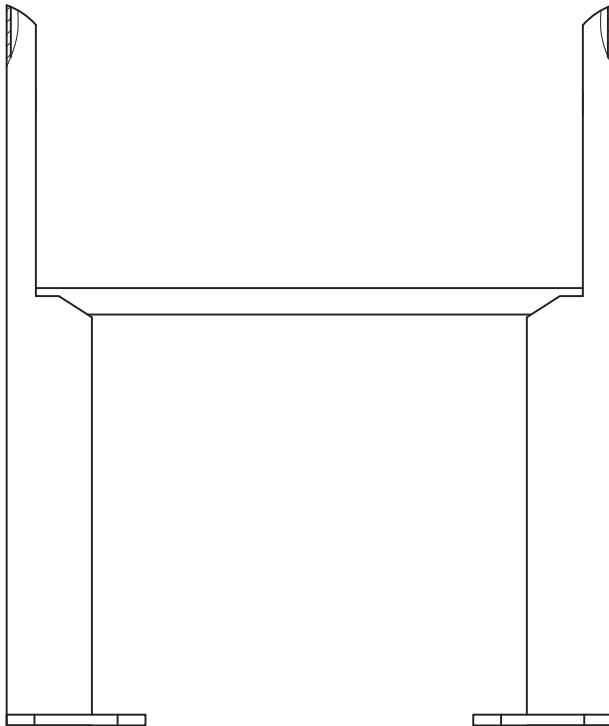




Keswick Column Feet



Fitting Instructions

Please follow them carefully and
leave this manual with end user

Important Information

Before installation, please read this guide carefully.

- A fully qualified and competent person should install this product.
- **Check the chosen floor space for any pipes/cables prior to drilling the floor.**
- Observe all local plumbing and building codes.
- Shut off the main water supply.
- Select the desired location for the radiator ensuring the chosen wall is both strong enough and suitable to carry the weight of the radiator when full of water.
- When cleaning, never use abrasive cleaners on this product as they will damage the surface. Wipe the surface clean with a soft, damp cloth.
- We update our product information and instructions regularly: for the latest product information and instructions please look up your product by using search bar on the website www.victorianplumbing.co.uk

Child Safety Notices

Please note that you are 100% legally responsible for your own child's safety at home. Once installed, the radiator can become a hazard for children as this radiator is not designed to support unreasonable extra weight, such as that of a child and the radiator becomes hot during use. We must stress that you should not allow children to climb/grab/play with the radiator or rails, as this can cause accident or injury for the child from heat, falling, or the radiator being pulled off the wall.

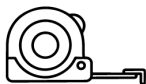
Check & Inspect

Here at Victorian Plumbing, we pride ourselves on selecting products from reputable manufacturers who manufacture to our exacting standards and quality control measures. All our products are well packaged and should reach you in pristine condition. Please check this product carefully prior to install as we must be notified of any shortages or damage within 30 days of delivery. For further information please see terms and conditions.

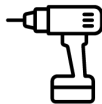
Tools required for installation (not supplied)



Pencil



Tape Measure



Power Drill



Spirit Level



Screwdriver

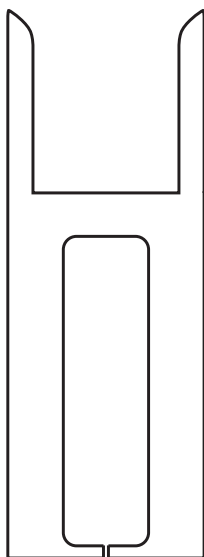


Adjustable
Wrench

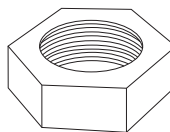


Gloves

Please check you have all the items below:



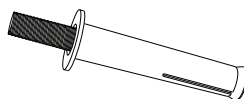
Body x2



Bolt cap x4



Washer x4



Rawl Bolt x4

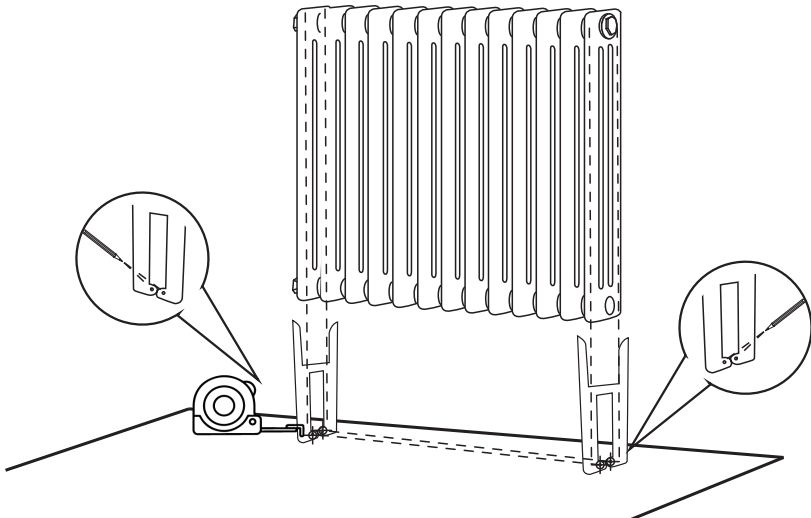
Before you begin:

For the mounting of the radiator and attachment of the valve connections. Refer to the radiator installation guide in conjunction with these instructions.



Step 1:

Sit the radiator onto the feet aligned with the wall. Mark out the position for the location of the legs.

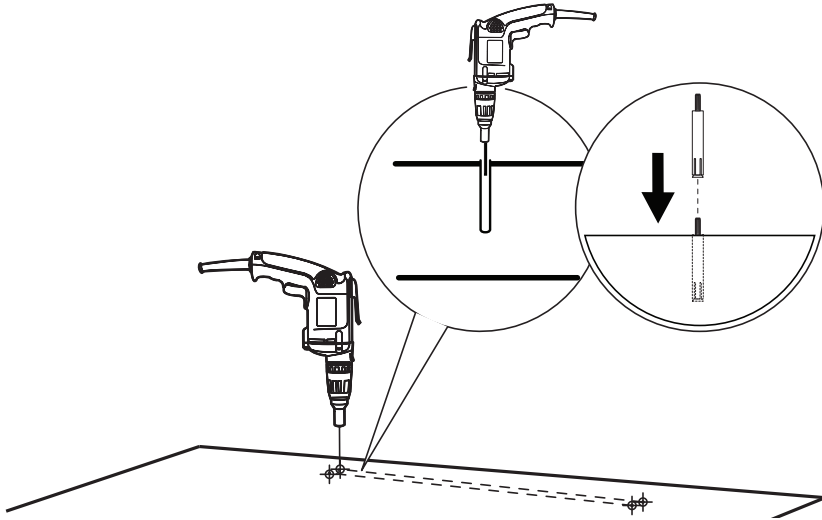


Allow enough room for the installation of valves or thermostatic controls

Before installation place a dust sheet on the floor to prevent losing any small parts.

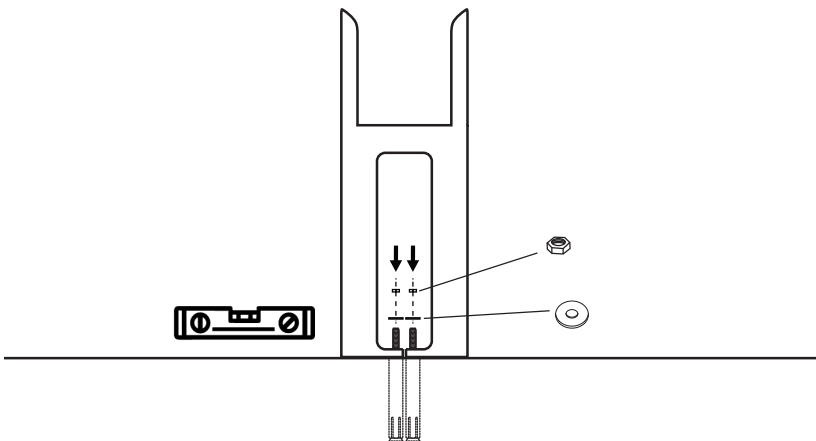
Step 2:

Carefully drill the holes for the rawl bolts ensuring the correct sized masonry bit is used. Insert the rawl bolts into the drilled holes.



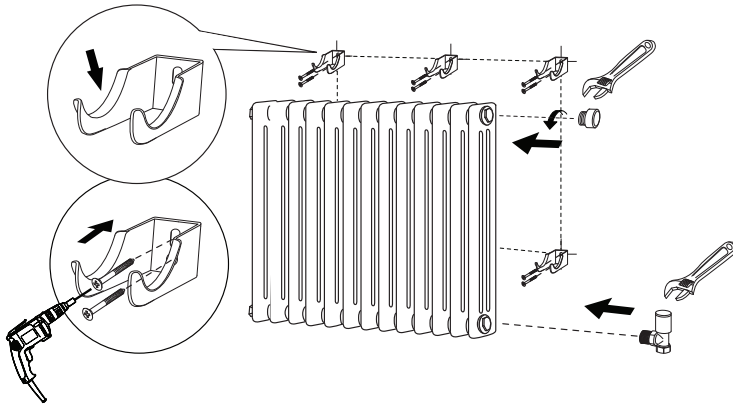
Step 3:

Fix the feet onto the floor using the washer and bolt caps provided. Using a spirit level re-check to ensure the feet are level.



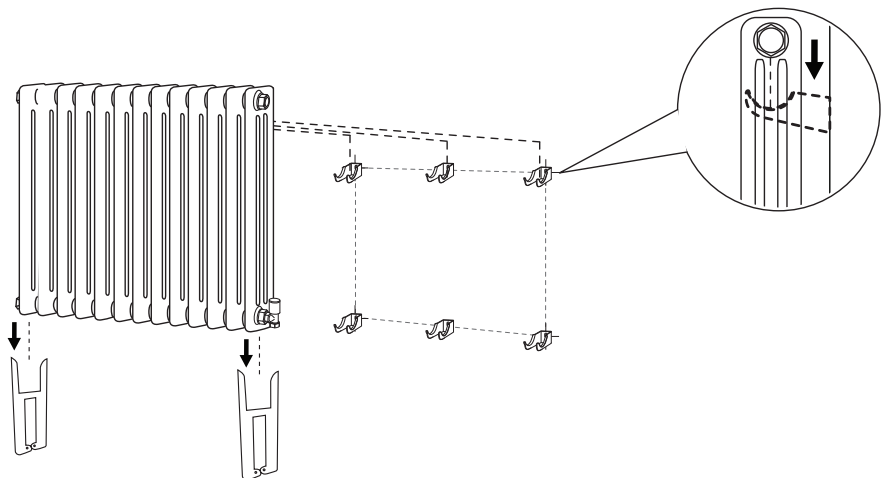
Step 4:

Prepare your chosen radiator ready for mounting by: fixing the wall brackets to your chosen wall, wrap PTFE tape around the plugs/valves, screw both into the top and bottom of the radiator. Refer to the radiator instructions for guidance.



Step 5:

Hang the radiator on the wall brackets and column feet, always checking that the radiator sits fully on both the bracket and feet. Install the bracket and connect both flow and return pipework as required.



Recycling and disposal

Please recycle the packaging in accordance with your local government regulations on waste handling, and follow the same advice at the end of the products life.

Product - Steel

Packaging - Cardboard, plastic, steel

Notes:

www.victorianplumbing.co.uk