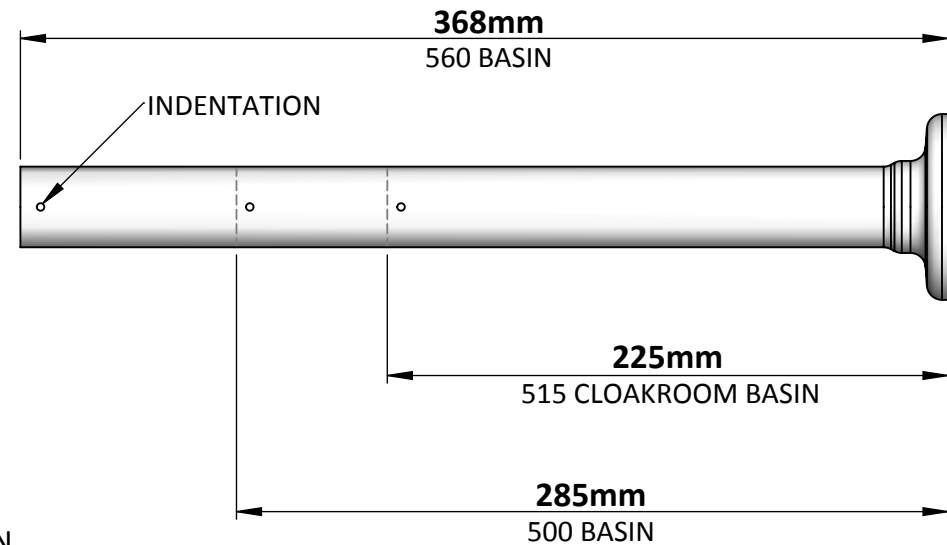
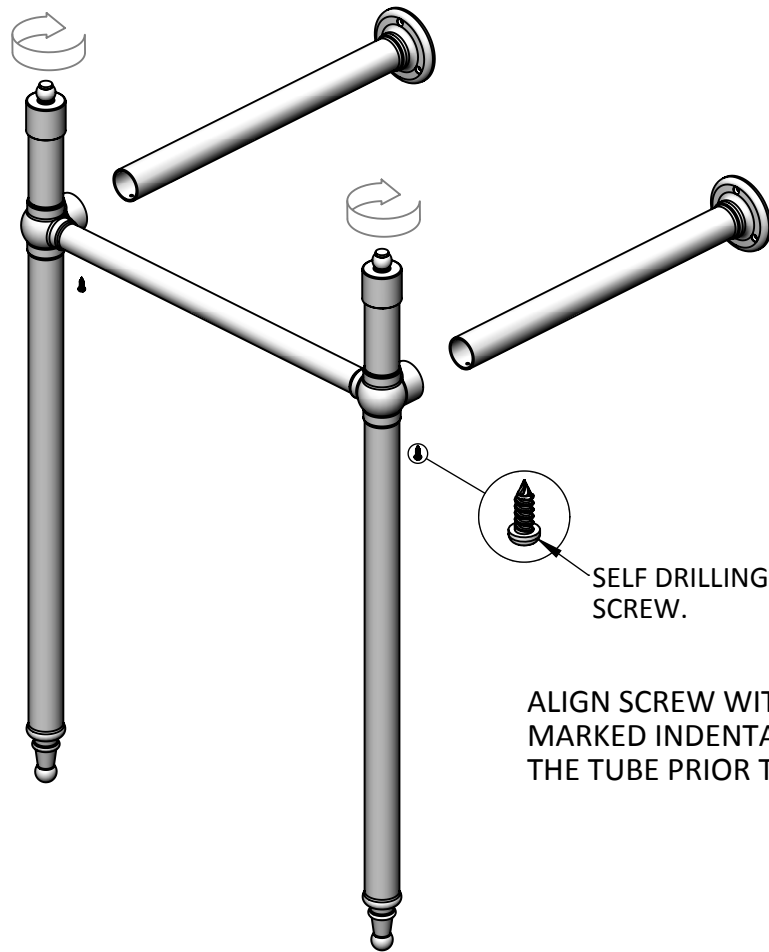


## BASIN FRAME INSTRUCTION

TURN FOR HEIGHT  
ADJUSTMENT.

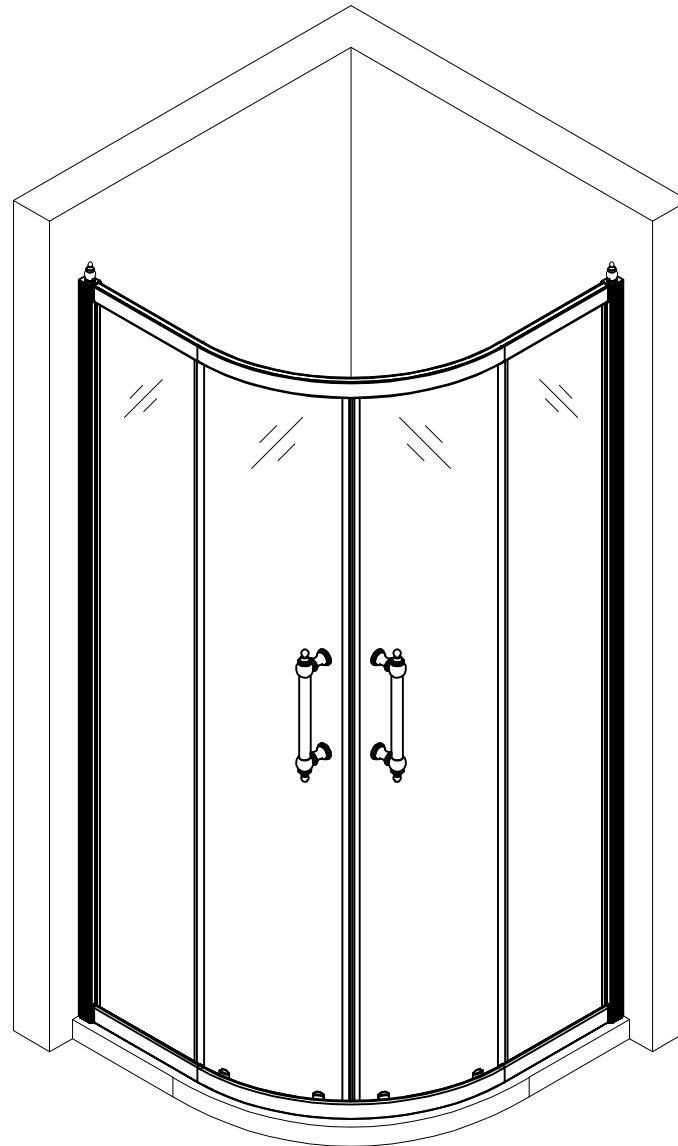


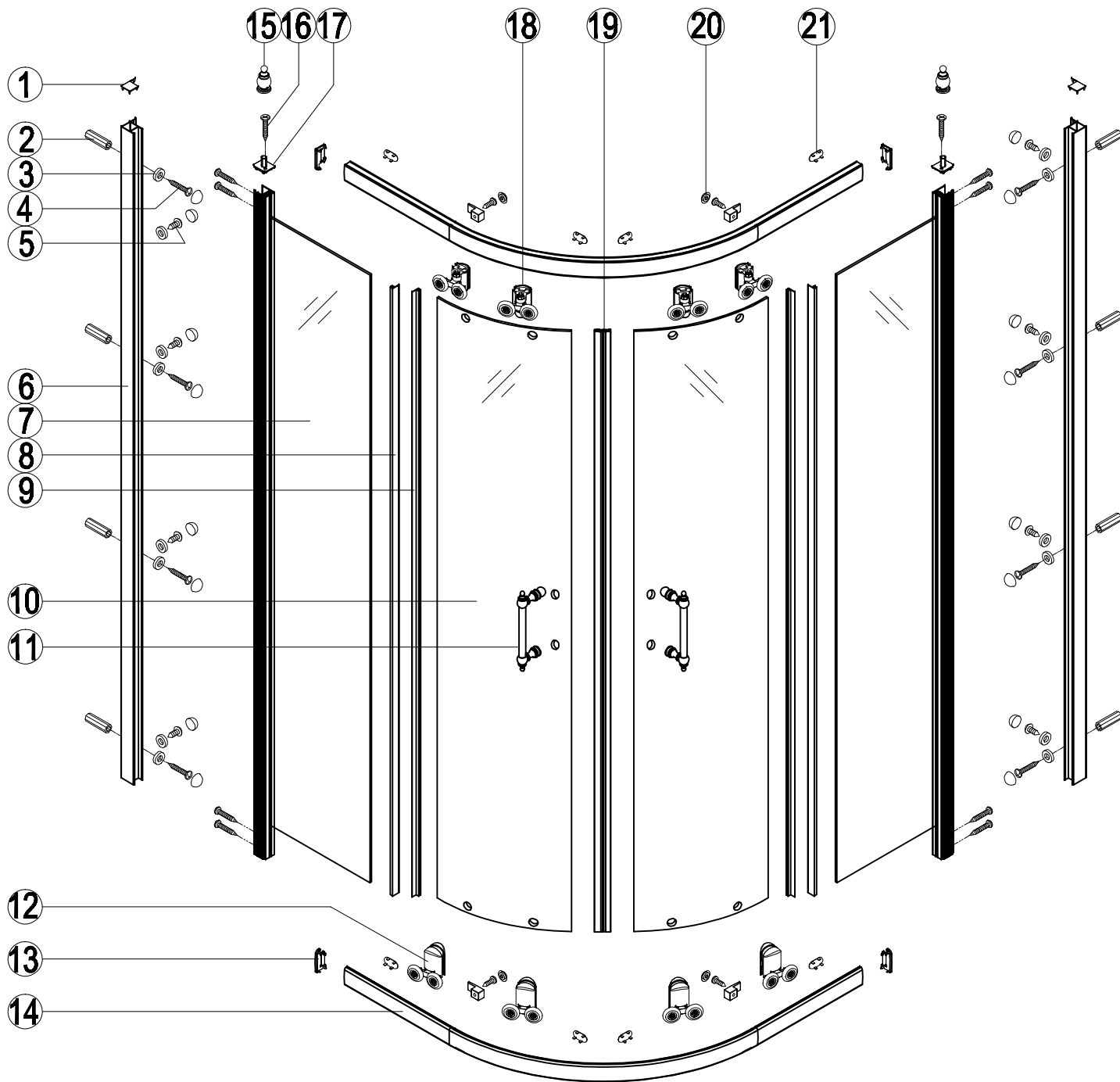
CUT TO REQUIRED LENGTH AS INDICATED FOR THE BASIN YOU HAVE PURCHASED.

ENSURE STAND IS FULLY ASSEMBLED BEFORE OFFERING THE STAND TO THE WALL.

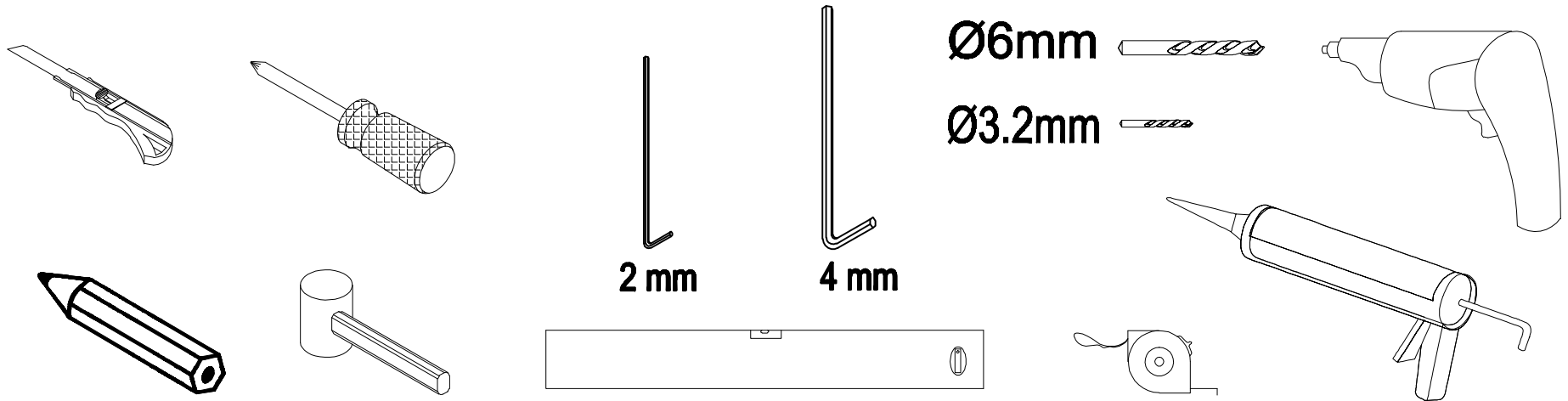
IF CUTTING TUBE, WRAP MASKING TAPE AROUND THE CUTTING AREA TO PROTECT THE CHROME FINISH.

# INSTALLATION MANUAL



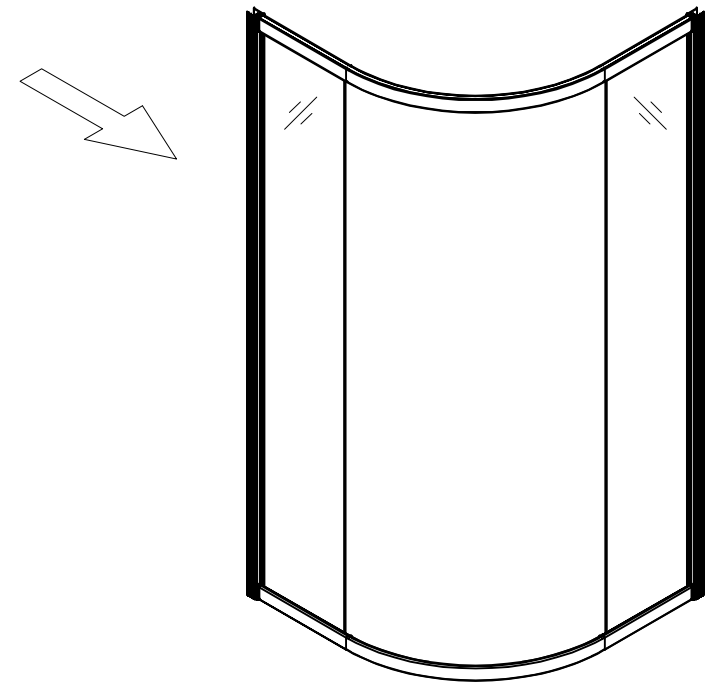
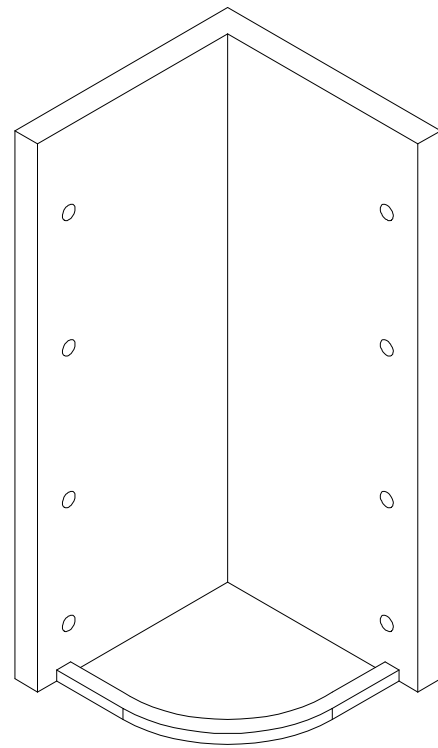
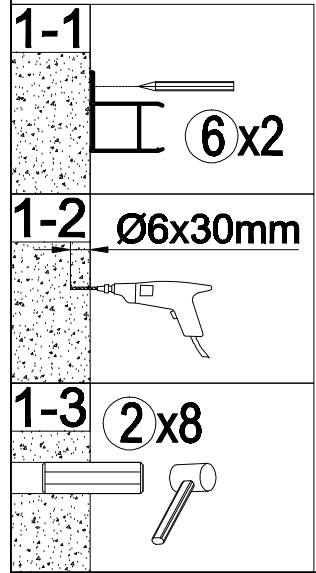
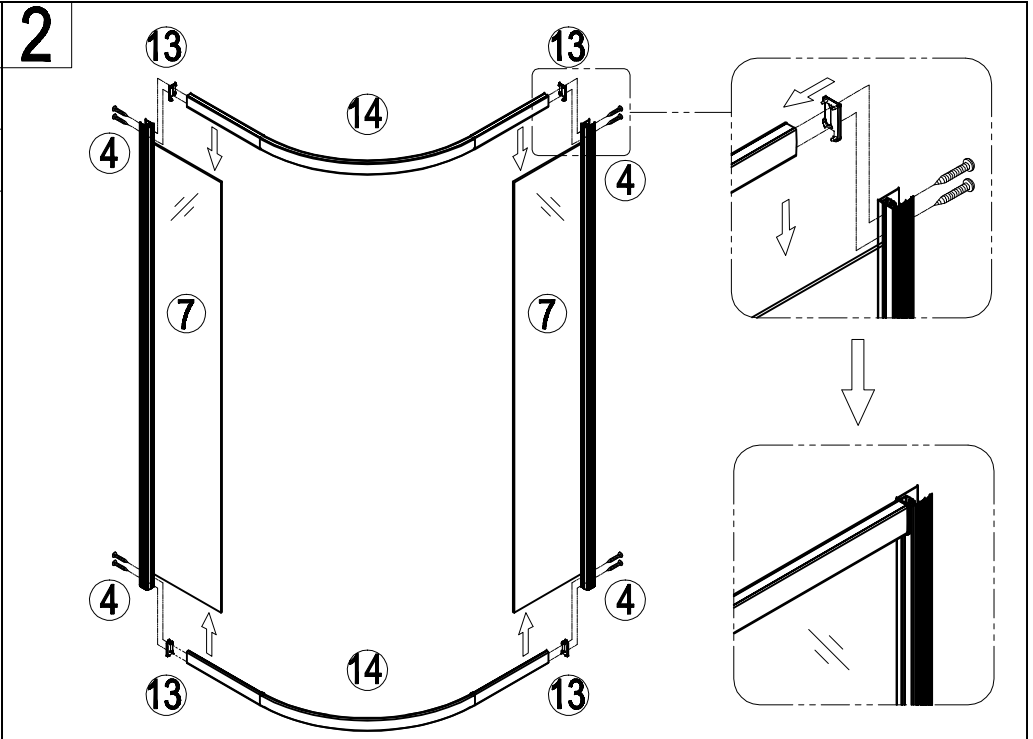


<b>1</b>  <b>MS-4Y01</b> 1Pair	<b>2</b>  <b>D6x30</b> 8Pcs	<b>3</b>  <b>Ø12x6</b> 16Pairs	<b>4</b>  <b>ST4x30</b> 16Pcs	<b>5</b>  <b>ST4x12</b> 12Pcs	<b>6</b>  <b>MS-4W01</b> 2Pcs	<b>7</b>  2Pcs	<b>8</b> 1750mm  <b>MS-4Z02</b> 2Pcs
<b>9</b> 1815mm  <b>MS-4Z02</b> 2Pcs	<b>10</b>  2Pcs	<b>11</b>  <b>MS-4X01</b> 2Pcs	<b>12</b>  <b>MS-4X03</b> 4Pcs	<b>13</b> L R  <b>MS-4Y05</b> 2Pairs	<b>14</b>  <b>MS-4W03</b> <b>MS-4W04</b> 2Pcs	<b>15</b>  <b>MS-4X02</b> 2Pcs	<b>16</b>  <b>ST4x15</b> 2Pcs
<b>17</b> L R  <b>MS-4Y06</b> 1Pair	<b>18</b>  <b>MS-4X04</b> 4Pcs	<b>19</b> A+B  <b>MS-4Z01</b> 1Pair	<b>20</b>  <b>MS-4Y07</b> 4Pcs	<b>21</b>  <b>MS-4Y08</b> 8Pcs	800*800 <b>14</b> <b>MS-4W03</b>	900*900 <b>MS-4W04</b>	<b>Tools:</b>

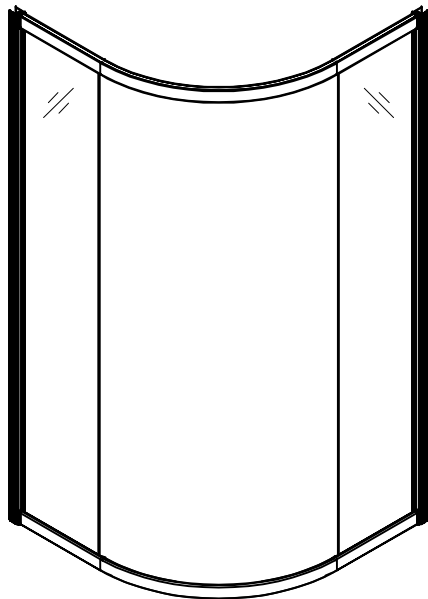
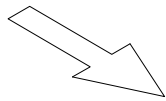
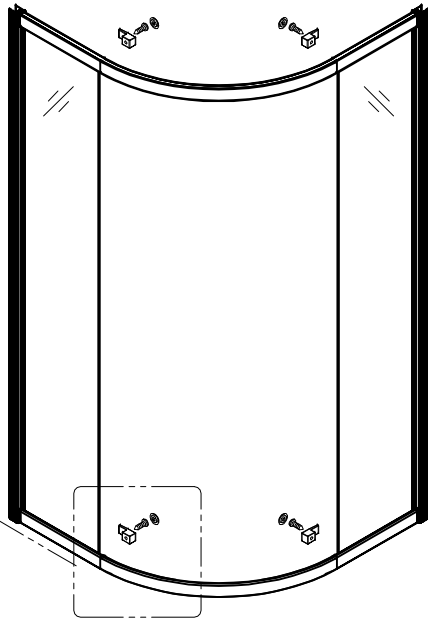
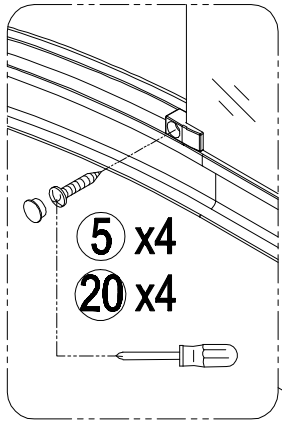




	L	W
800*800	770-790	770-790
900*900	870-890	870-890

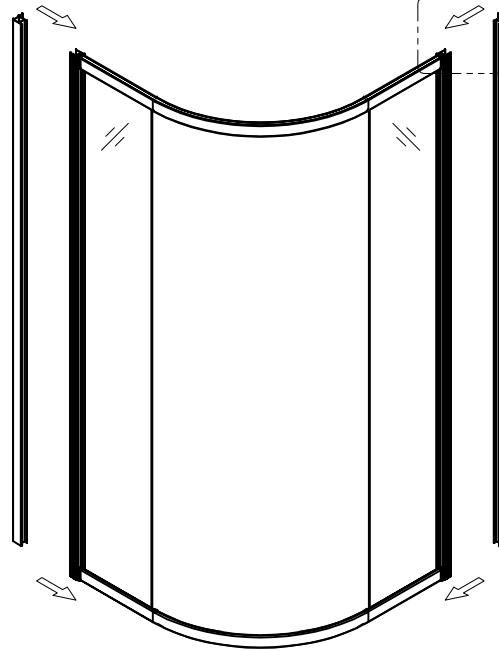


3

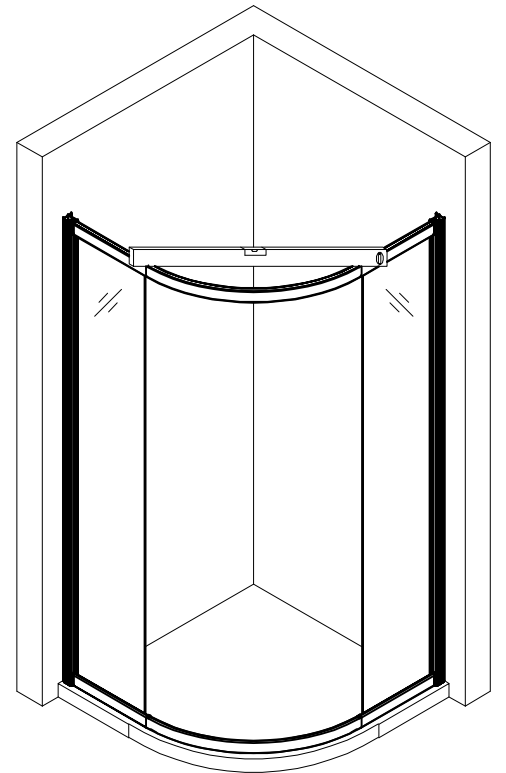
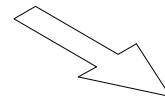
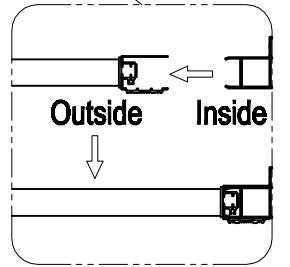


4

6



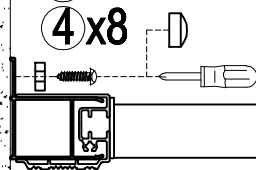
6



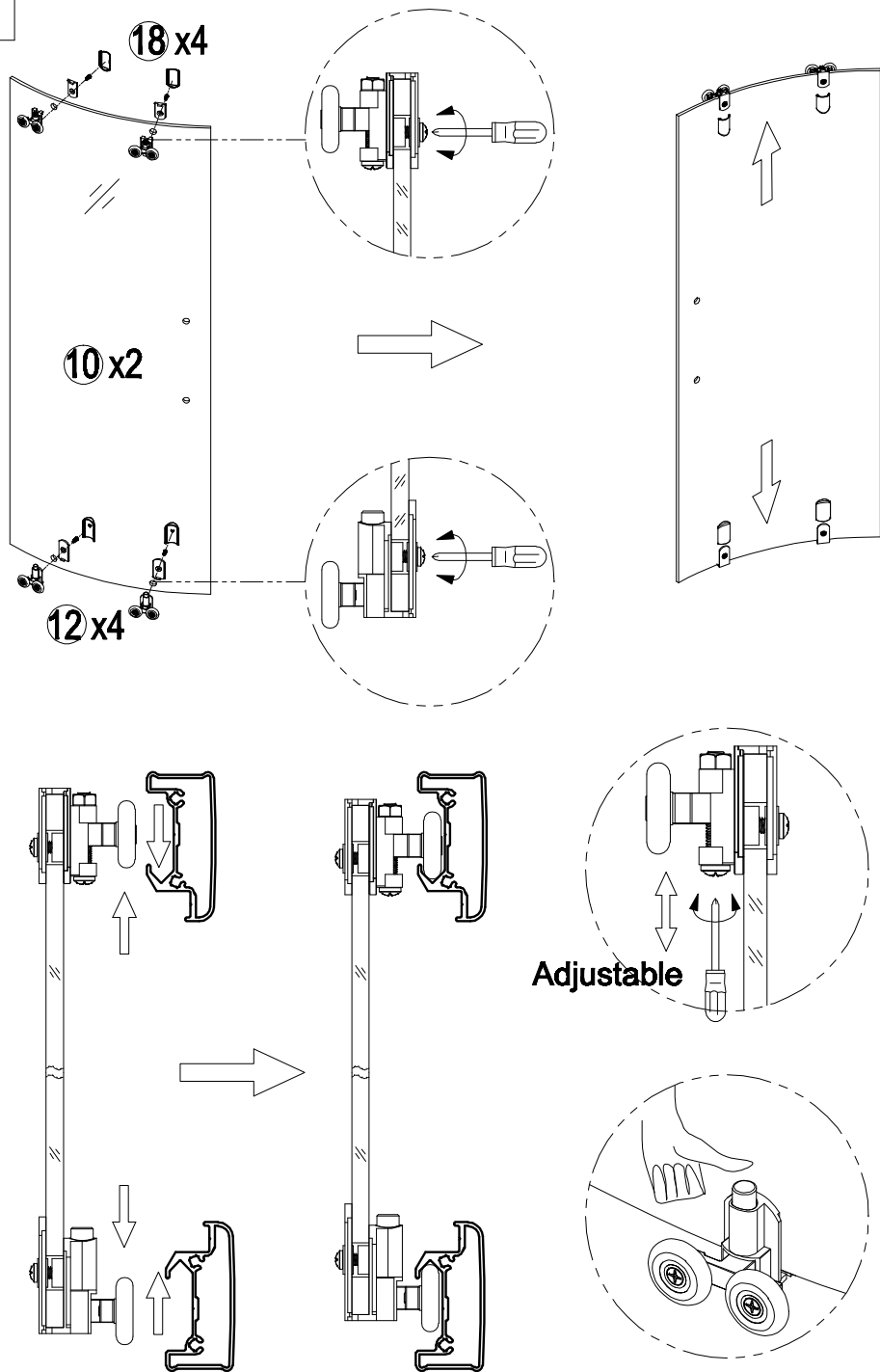
4-1

3 x8

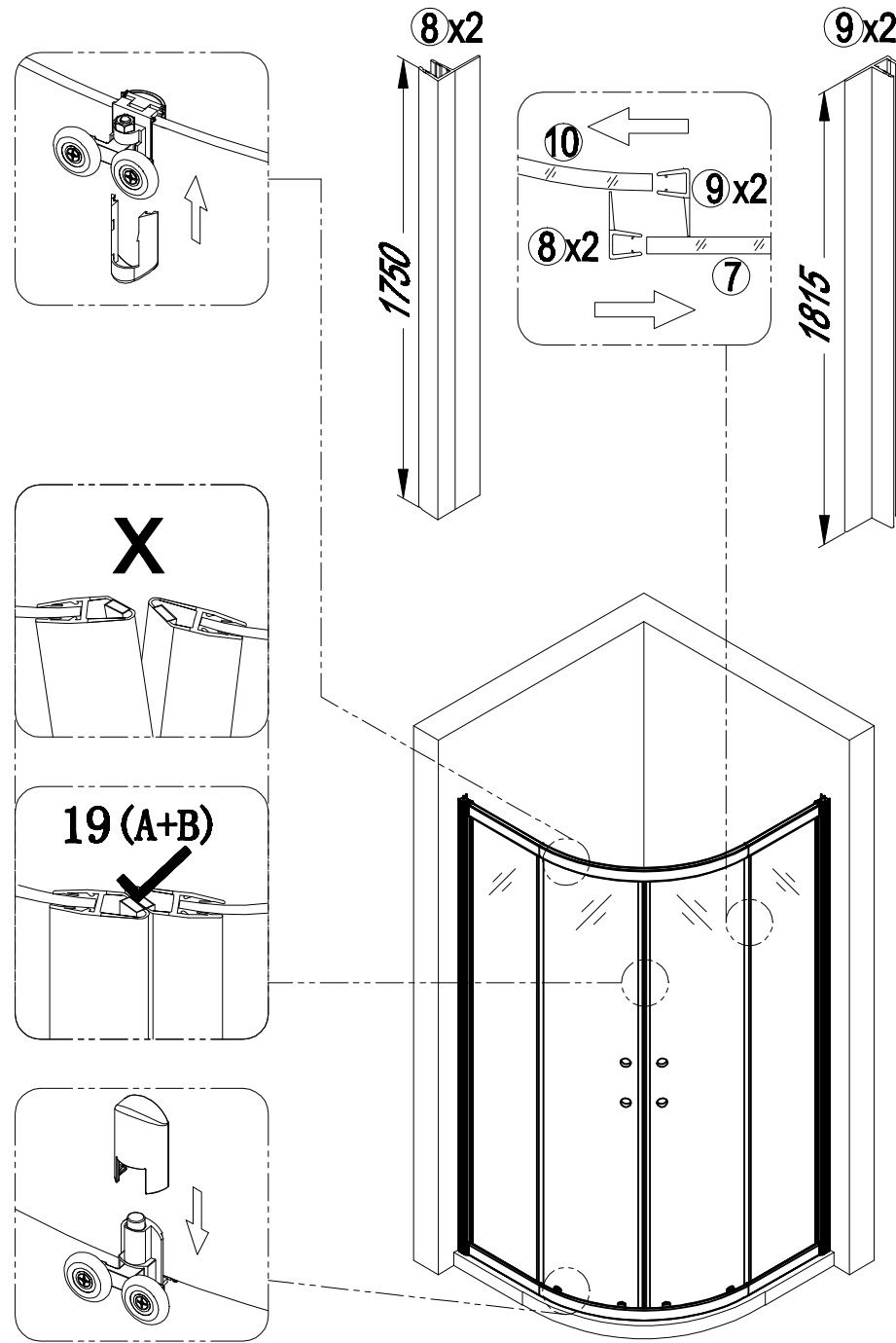
4 x8



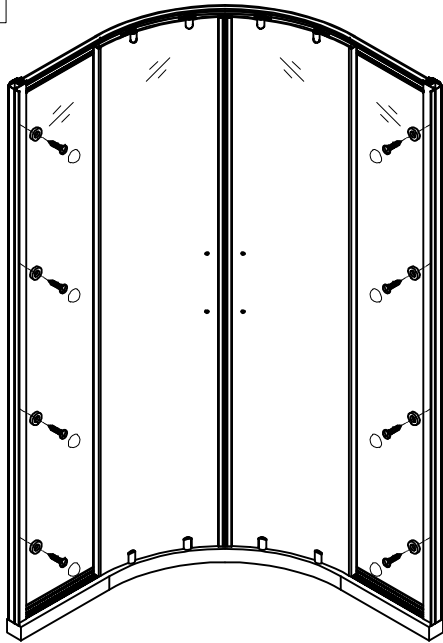
5



6



7



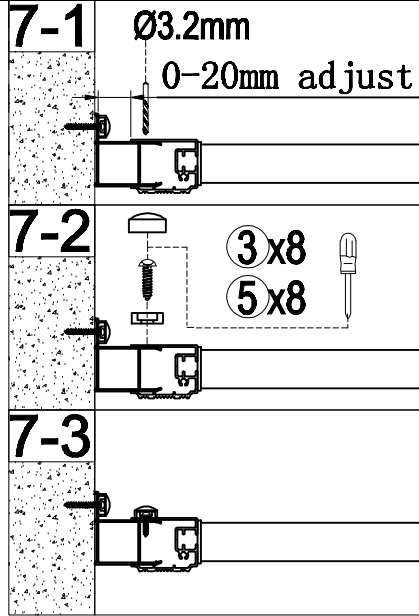
7-1

Ø3.2mm  
0-20mm adjust

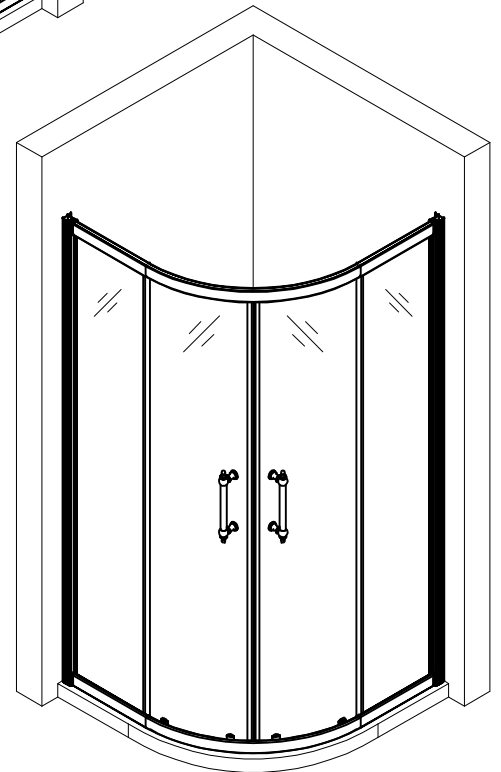
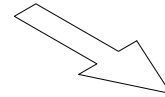
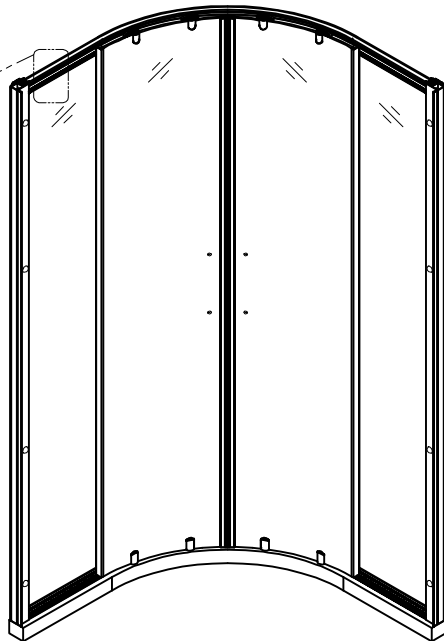
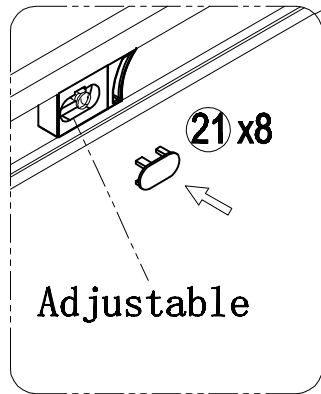
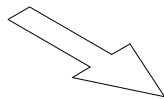
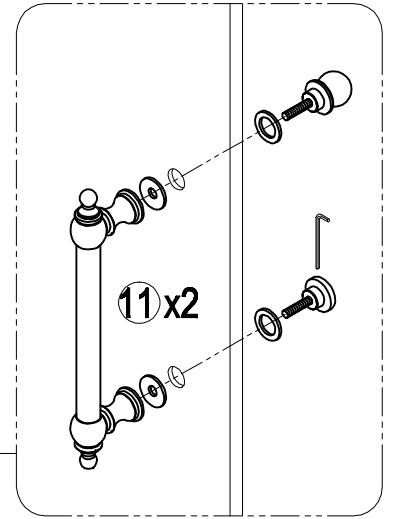
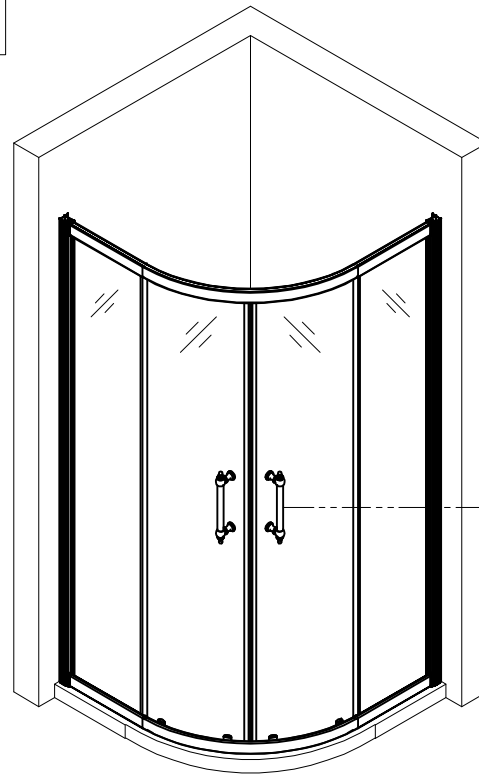
7-2

3x8  
5x8

7-3

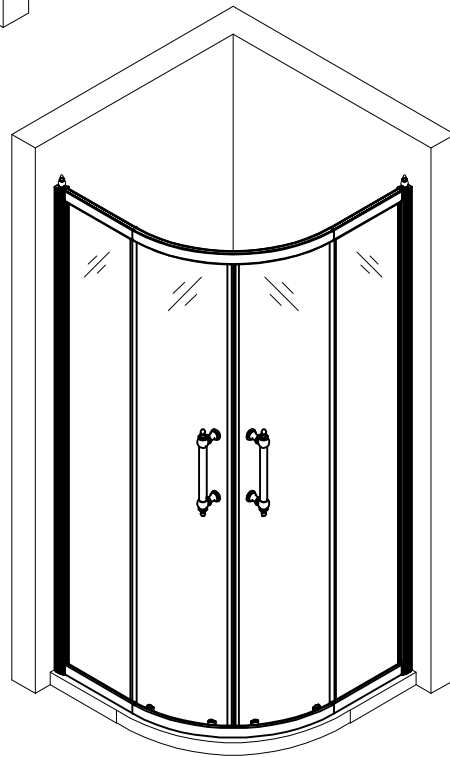
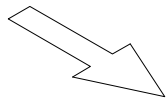
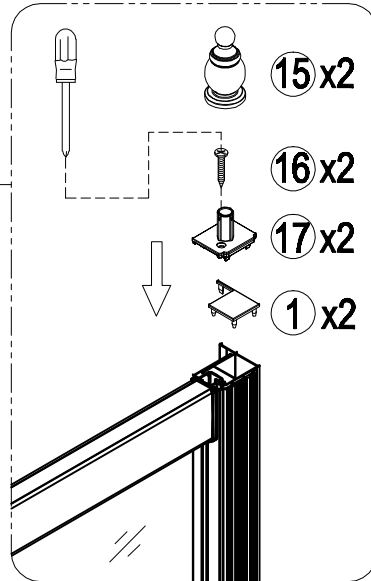
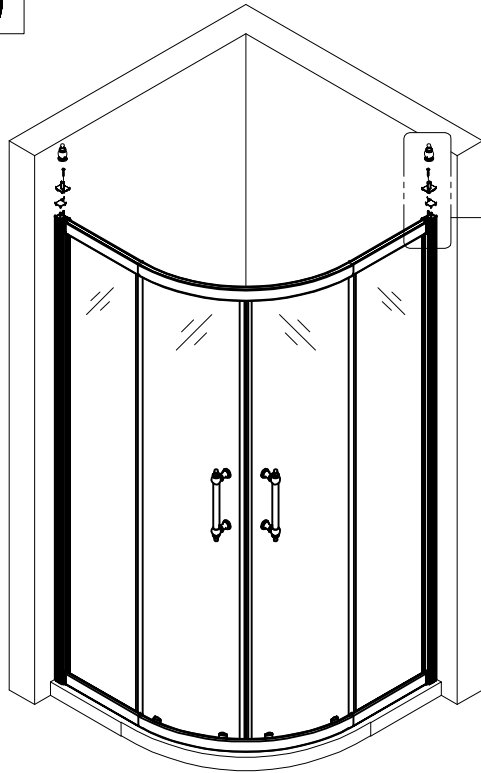


8





9



10

**Care Instructions:**

Do not use your shower enclosure within 24 hours of assembly .  
Do not use caustic cleaning products or abrasive material when cleaning your shower enclosure.

