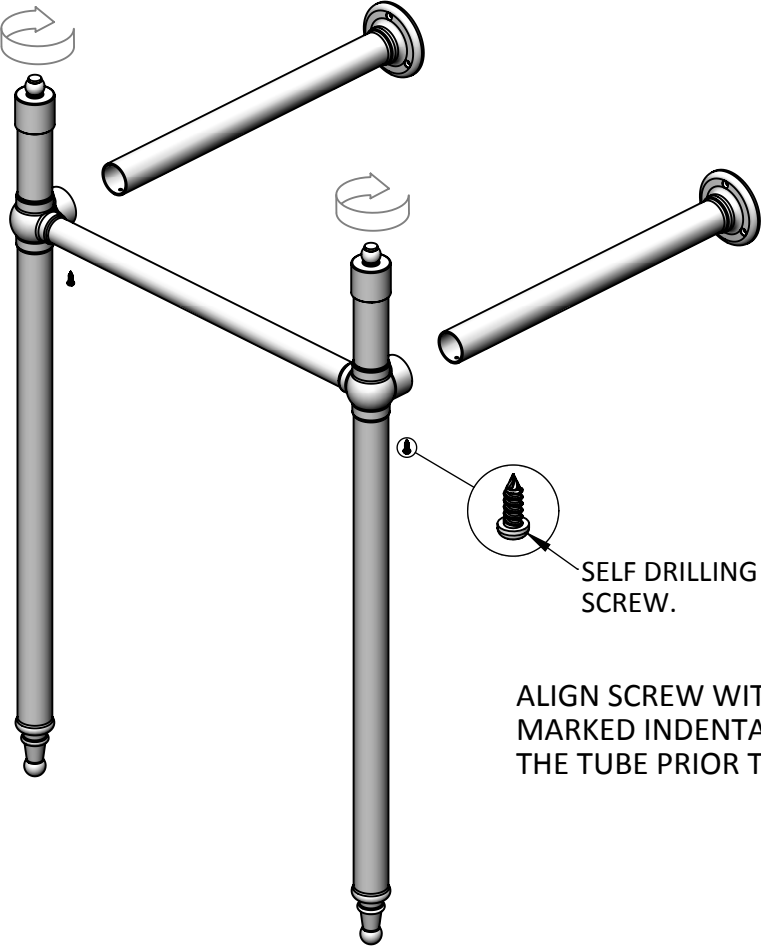


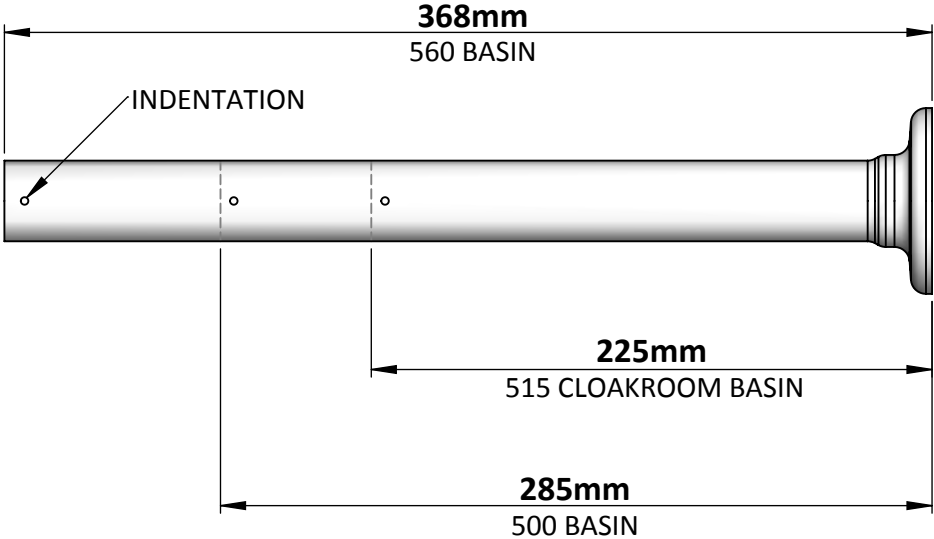
# BASIN FRAME INSTRUCTION

TURN FOR HEIGHT ADJUSTMENT.



SELF DRILLING SCREW.

ALIGN SCREW WITH PRE MARKED INDENTATION IN THE TUBE PRIOR TO FITTING.



CUT TO REQUIRED LENGTH AS INDICATED FOR THE BASIN YOU HAVE PURCHASED.

ENSURE STAND IS FULLY ASSEMBLED BEFORE OFFERING THE STAND TO THE WALL.

IF CUTTING TUBE, WRAP MASKING TAPE AROUND THE CUTTING AREA TO PROTECT THE CHROME FINISH.