

# Insignia

## INSTALLATION MANUAL

### MC90CQ

### Monochrome 900mm x 900mm

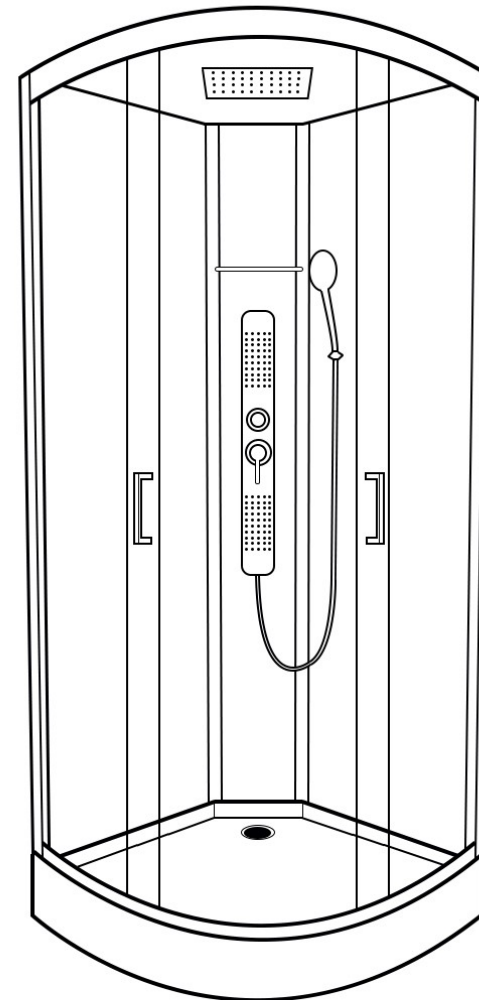


**30 Day Technical Support: 01908 226545**

This service is only available to customers from the day of delivery, please have your supplier's details and your postcode to hand before calling.

**Replacements Parts:** Inside of your warranty period contact: [www.insigniarange.co.uk/support](http://www.insigniarange.co.uk/support)

**Spares/Replacements Parts:** Outside of your warranty period contact **0844 800 3069**



### ATTENTION INSTALLERS:

These instructions must be left with the customer

**CHECK ALL CONTENTS BEFORE BUILD COMMENCES. NO RETURNS CAN BE MADE ONCE THE BUILD HAS STARTED AS IT IS DEEMED ACCEPTANCE OF PRODUCT!**

**WARRANTY REG NO:** \_\_\_\_\_

To claim your full 5 year warranty, register your shower within 90 days at: [www.insigniarange.co.uk/warranty](http://www.insigniarange.co.uk/warranty)

## Contents

Thank you for your purchase	3
Tips for assembly	4
Electrical/Pressure/Tool requirements	5
Box contents	6
Starting the installation	9
Water valve connections	20
Signing off your shower	21
Parts list	22

*Thank  
You*

Thank you for your recent purchase of an Insignia shower. Please read this booklet with great care to ensure you get the best out of your build and have a shower that will last for many years to come! Like everything, in order to obtain a first class product that will serve you well for many years, the effort and correctness put into the assembly will reflect in the quality of your finish.

## Before we start, here's our 4 top tips which may assist you...

### TIP 1—Building Your Shower

This product is suitable for a DIY build, providing you are confident in your DIY abilities. Please look through this build guide and decide on whether you feel confident in undertaking this task. If you are not, seek the services of a professional and show them these instructions before hiring.

### TIP 2—Hard Water

Due to the nature of this product we highly advise the purchase and fitting of a water softener.

(Please note: limescale build up may cause damage to your shower and will not be covered under warranty)

### TIP 3—Installation

These showers are designed to be free standing and movable from their location should you have the need to replace anything.

**ALWAYS USE** Flexible braided water inlet pipes (not supplied) at least a metre long (not central heating plastic type!)

**NEVER FIX** with rigid pipes, **NEVER FIX** the unit to the wall or floor.

### TIP 4—Sealing

When using Insignia's RubberGum, please ensure the product does not come in contact with your silicone as this will cause the RubberGum to fail and will not adhere as intended. RubberGum is immediately waterproof and will gain additional strength over time.

## Pressure/Water Requirements

We recommend a BAR pressure between 2.5 and 3.4 BAR. If you have a combi boiler system no problem should be experienced. If you have a gravity feed older type installation (hot water tank type usually less than 1 BAR) you will almost certainly need a pump. We cannot advise on which type of pump is used, location or design because all house plumbing layouts vary. This is a job for your installer/plumber. The end delivery however must fall within the scope above.

**Important Note** Do not exceed 3.4 BAR pressure under any circumstances. Warranty is void if so as damage will occur. If you have a combi supply, please use a pressure reducing valve if required to lower the BAR pressure to the shower.

Please Remember that this product is free standing and is designed to be pulled away from the wall.

The waste hose must be of a flexible type (**1m flexible waste supplied**).

The water supply pipes need to be at least 1 metre in length and must be that of a flexible braided type (**not supplied**).

**DO NOT OVERTIGHTEN THE BRAIDED HOSES AS IT CAN CAUSE THE CONNECTION TO POP AFTER A FEW WEEKS OF USE.**

Always fit easy to get to isolation taps on both hot and cold water supply (**not supplied**). Just like a dishwasher or washing machine, this product **MUST** be isolated when not in use.

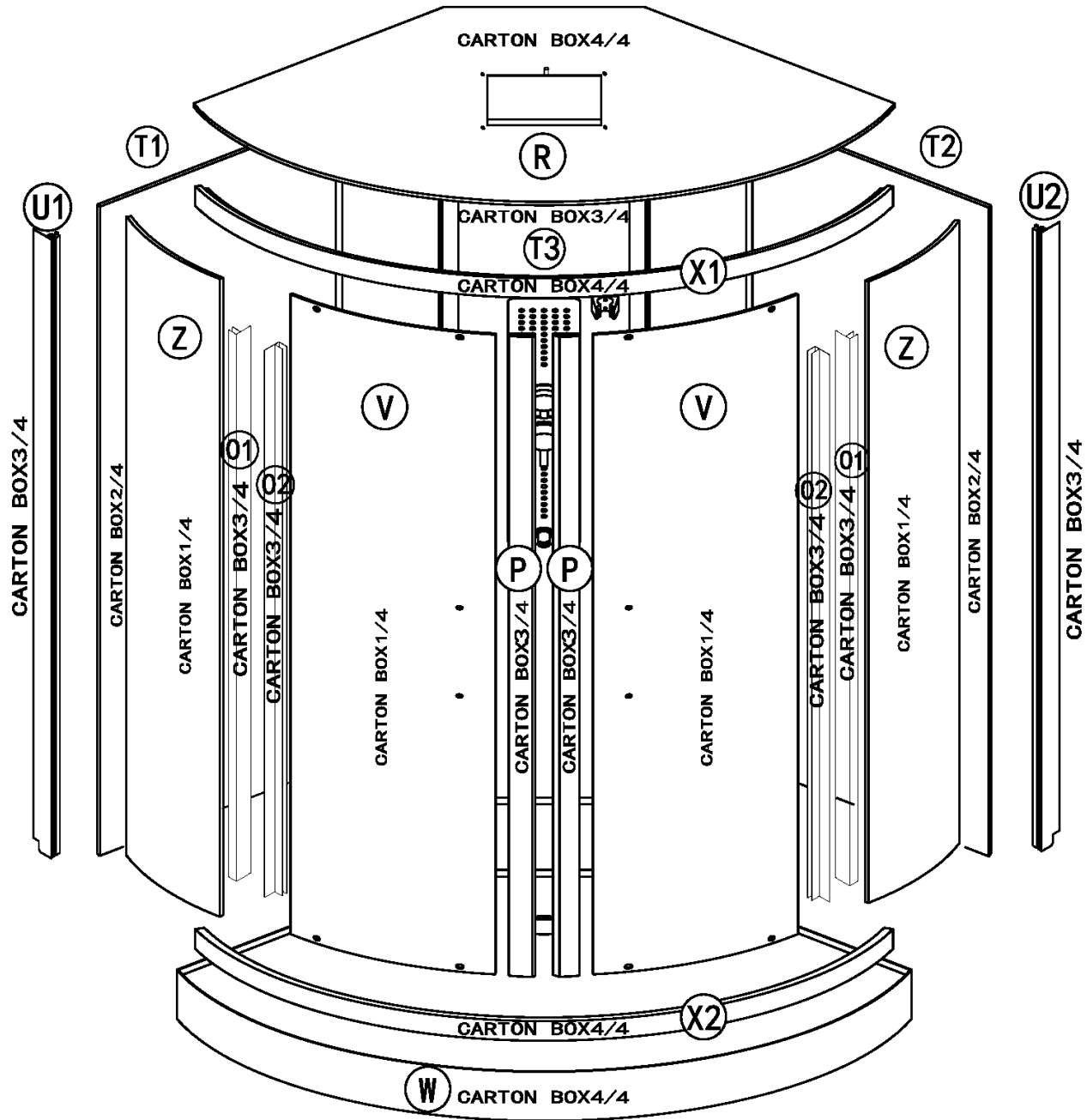
## Tools Required

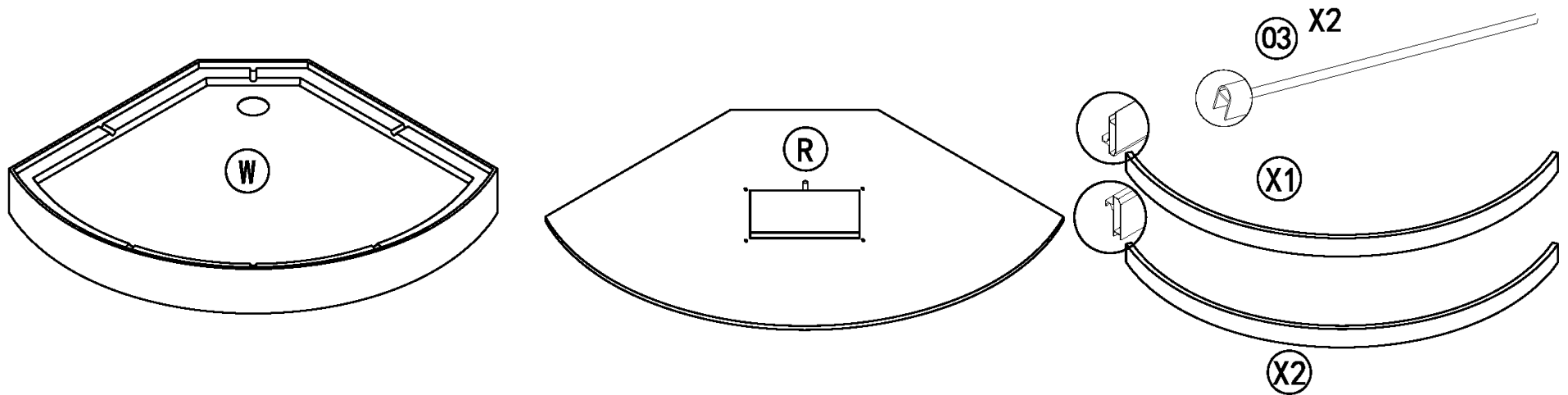
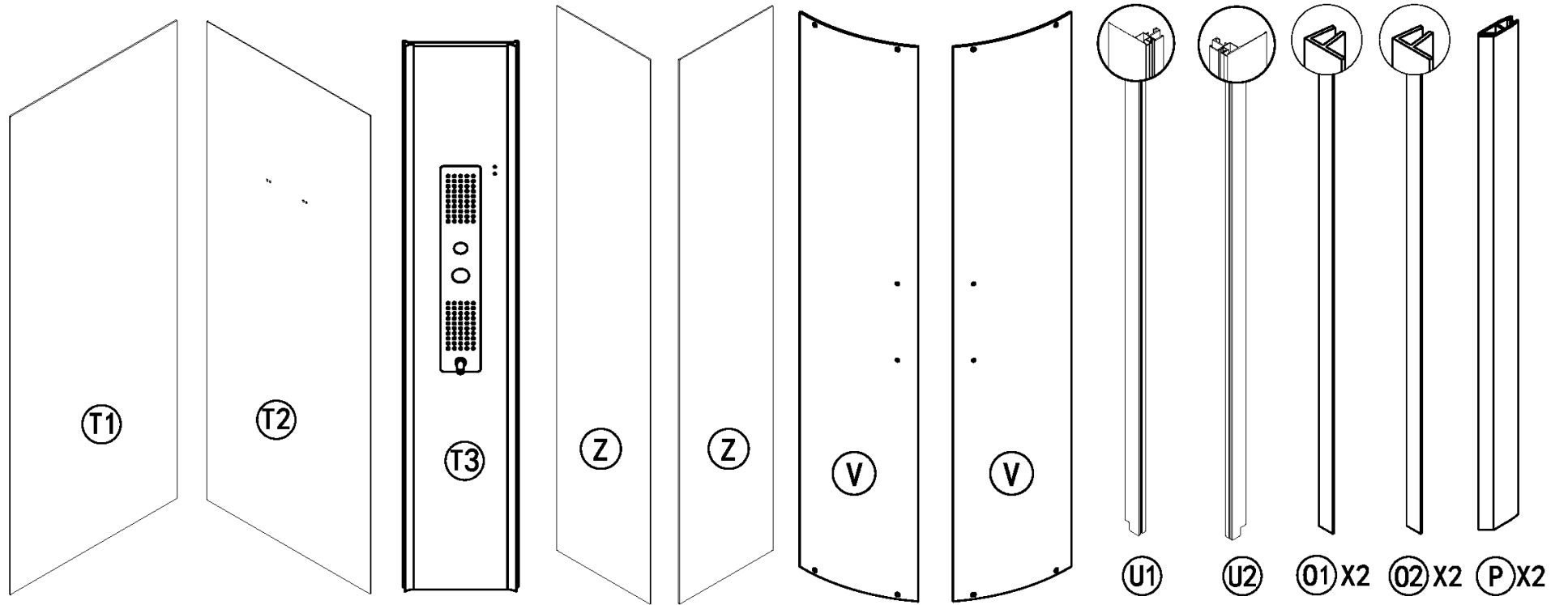
### You will require:

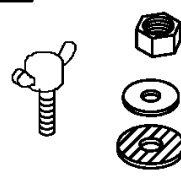
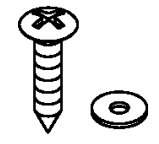
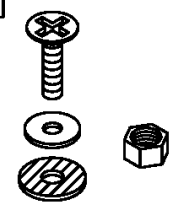
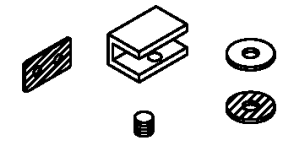
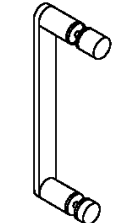
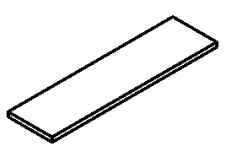
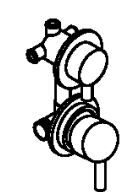
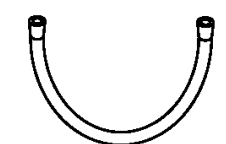
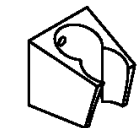

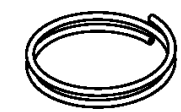

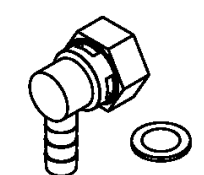


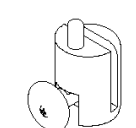
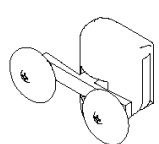
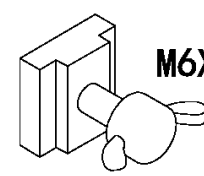
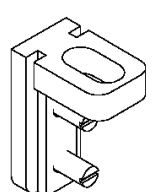
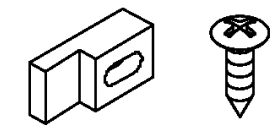


- Scissors
- Knife
- Spirit Level
- Tape Measure
- Philips Screwdriver
- Electric Drill
- Safety Gloves
- Safety Glasses

## Parts Required

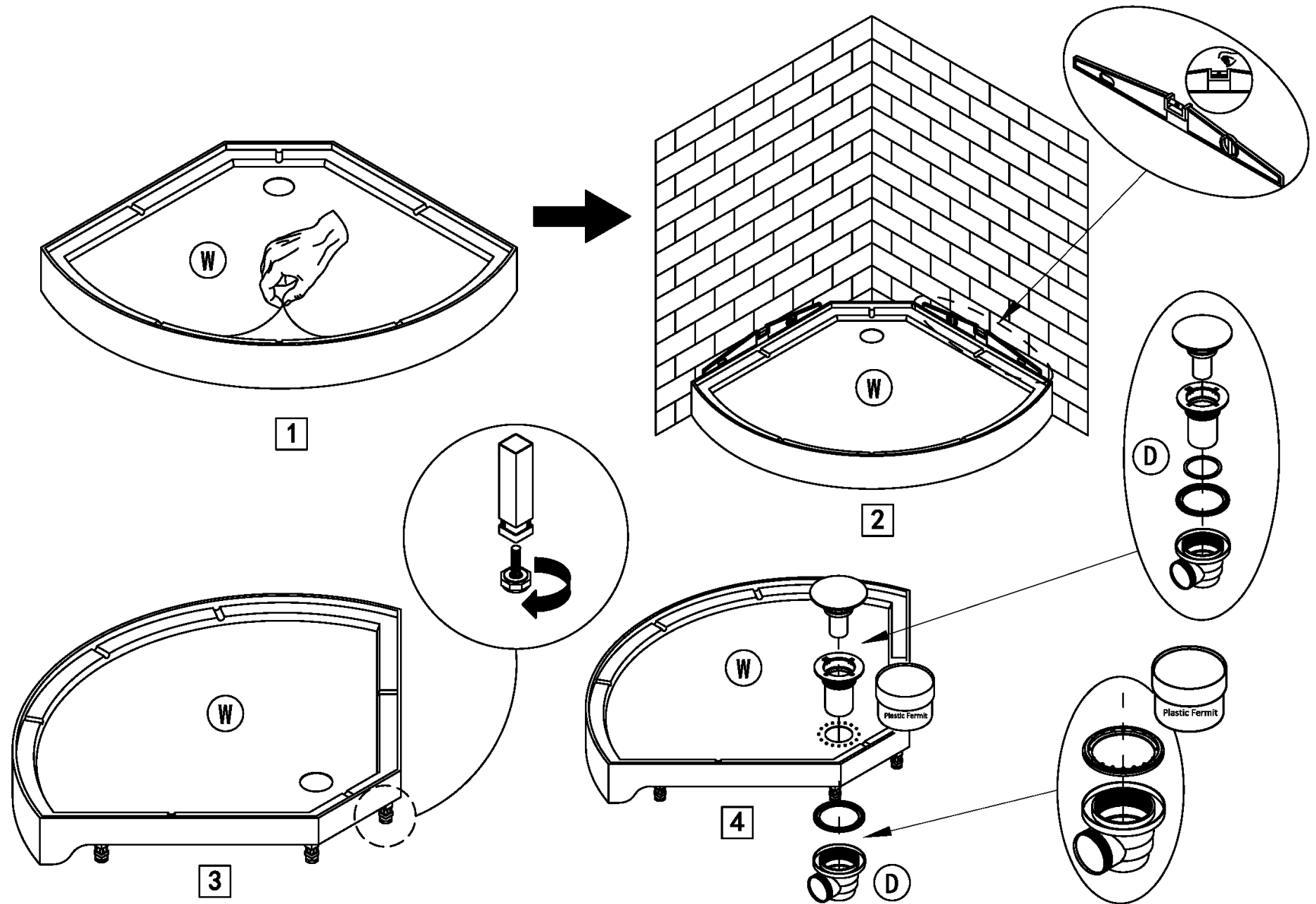
- RubberGum (supplied)
- Plumbers Mait (not supplied)
- Hot and cold isolation valves (not supplied)
- 2 x Braided hoses (not supplied)

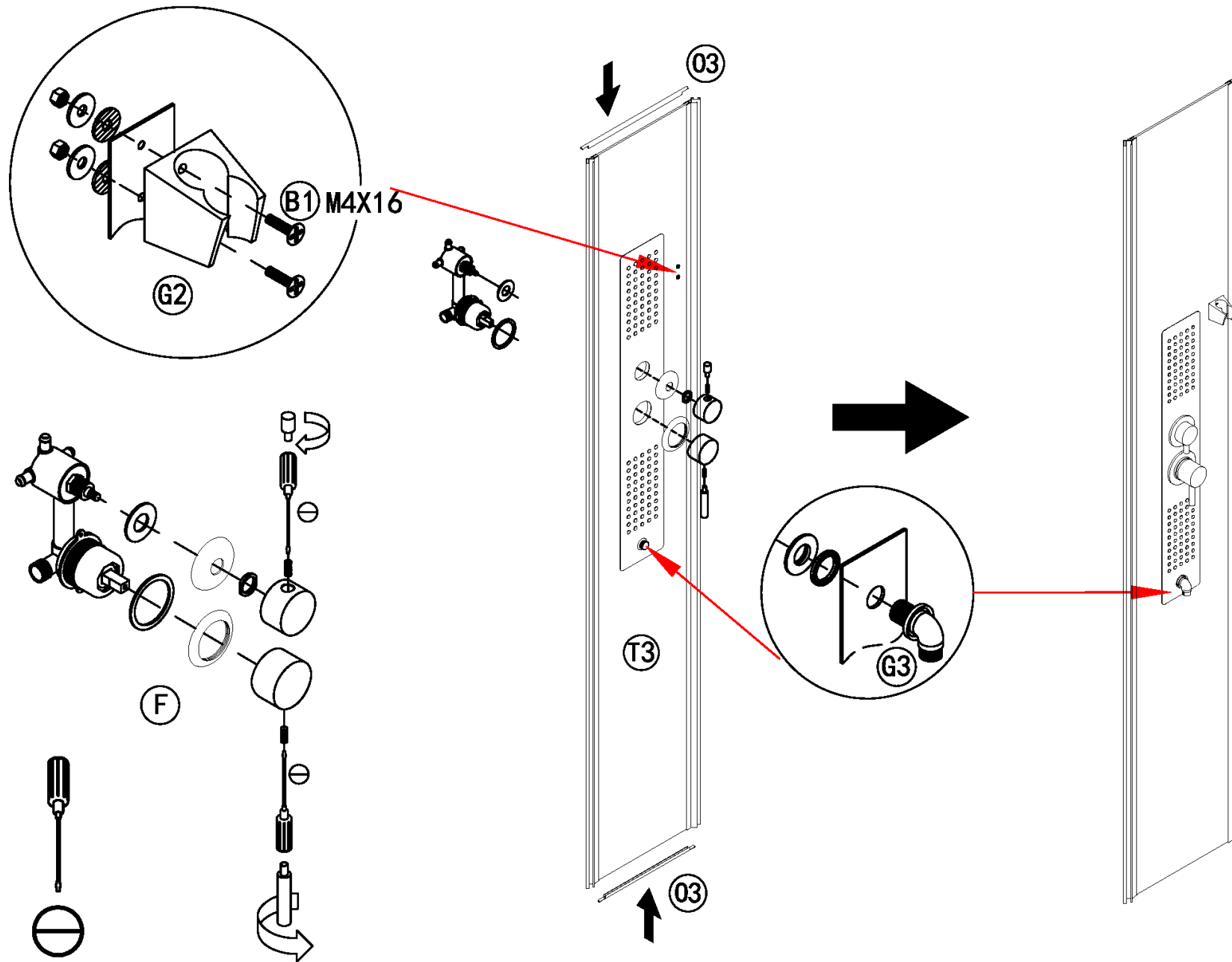


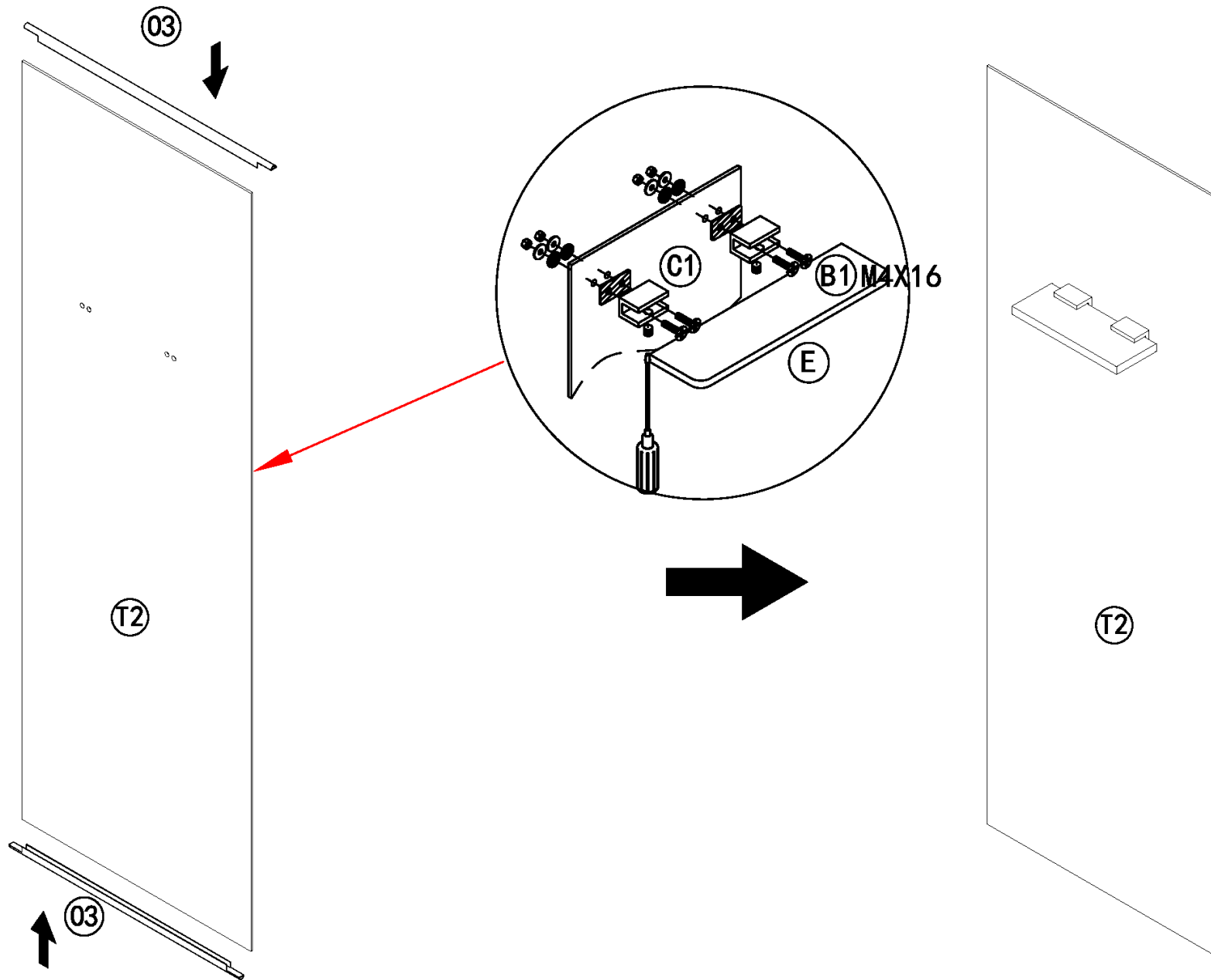


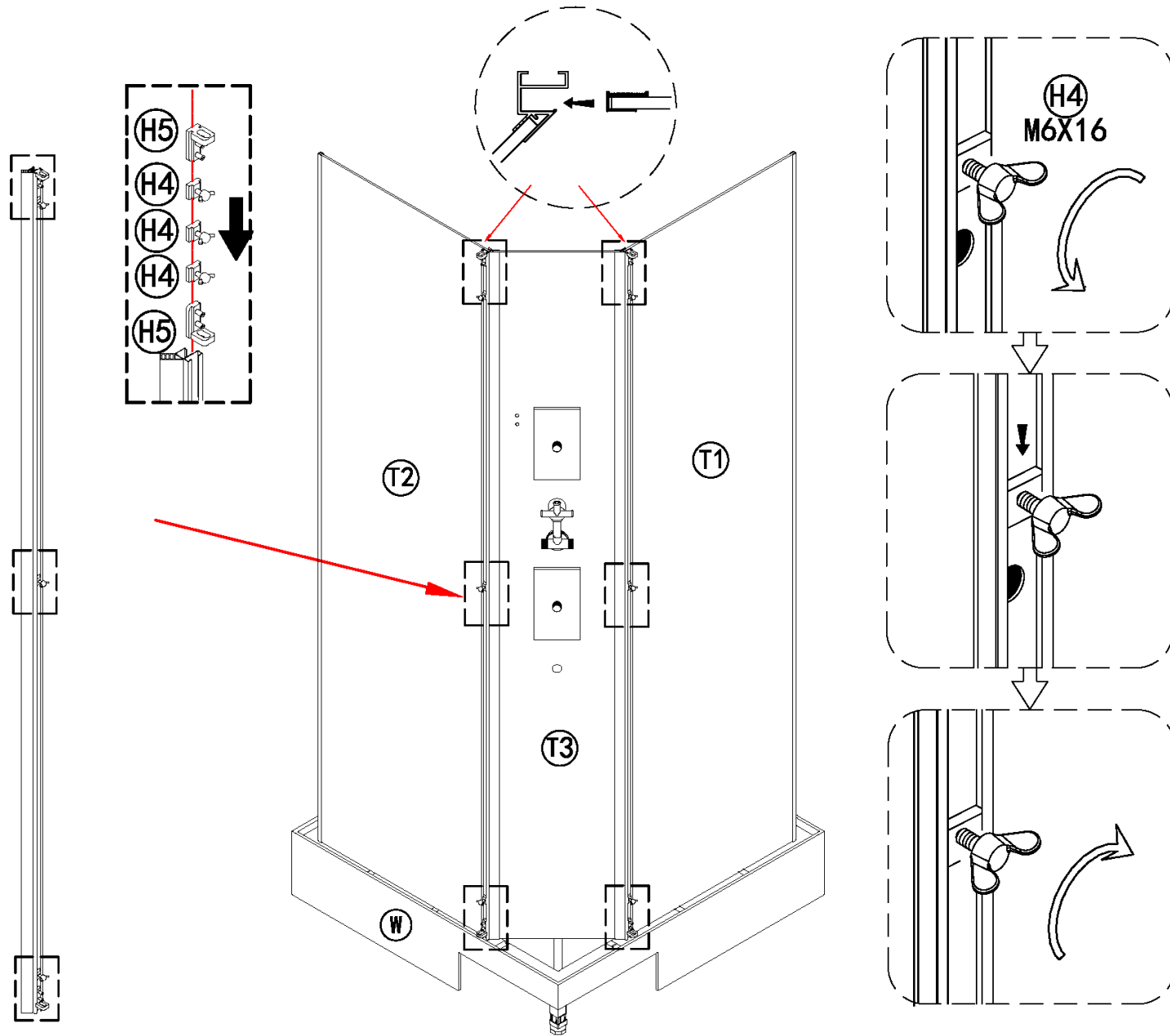
CARTON BOX4/4				
<b>M5X25</b>  <b>(A1)</b> <b>X4</b>	<b>M4X18</b>  <b>(A2)</b> <b>X4</b>	<b>M4X16</b>  <b>(B1)</b> <b>X6</b>	 <b>(C1)</b> <b>X2</b>	 <b>(D)</b> <b>X2</b>
 <b>(E)</b> <b>X1</b>	 <b>(F)</b> <b>X1</b>	 <b>(G1)</b> <b>X1</b>	 <b>(G2)</b> <b>X1</b>	 <b>(G3)</b> <b>X1</b>
 <b>(G4)</b> <b>X1</b>	 <b>(G5)</b> <b>X10</b>	 <b>(G6)</b> <b>X3</b>	 <b>(G7)</b> <b>X1</b>	 <b>(H1)</b> <b>X1</b>
 <b>(H2)</b> <b>X4</b>	 <b>(H3)</b> <b>X4</b>	 <b>M6X16</b> <b>(H4)</b> <b>X12</b>	 <b>(H5)</b> <b>X8</b>	 <b>M4X12</b> <b>(I)</b> <b>X4</b>
 <b>(L)</b> <b>X1</b>	<b>3MM</b>  <b>(M)</b> <b>X1</b>			

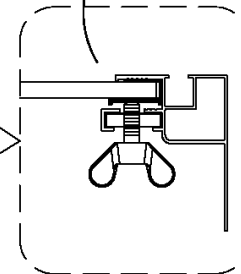
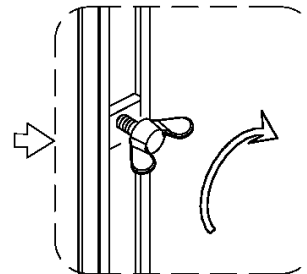
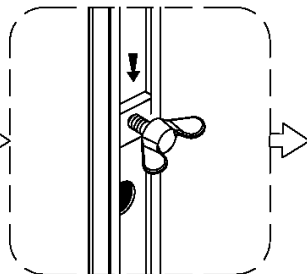
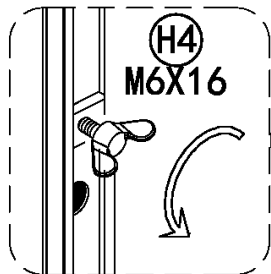
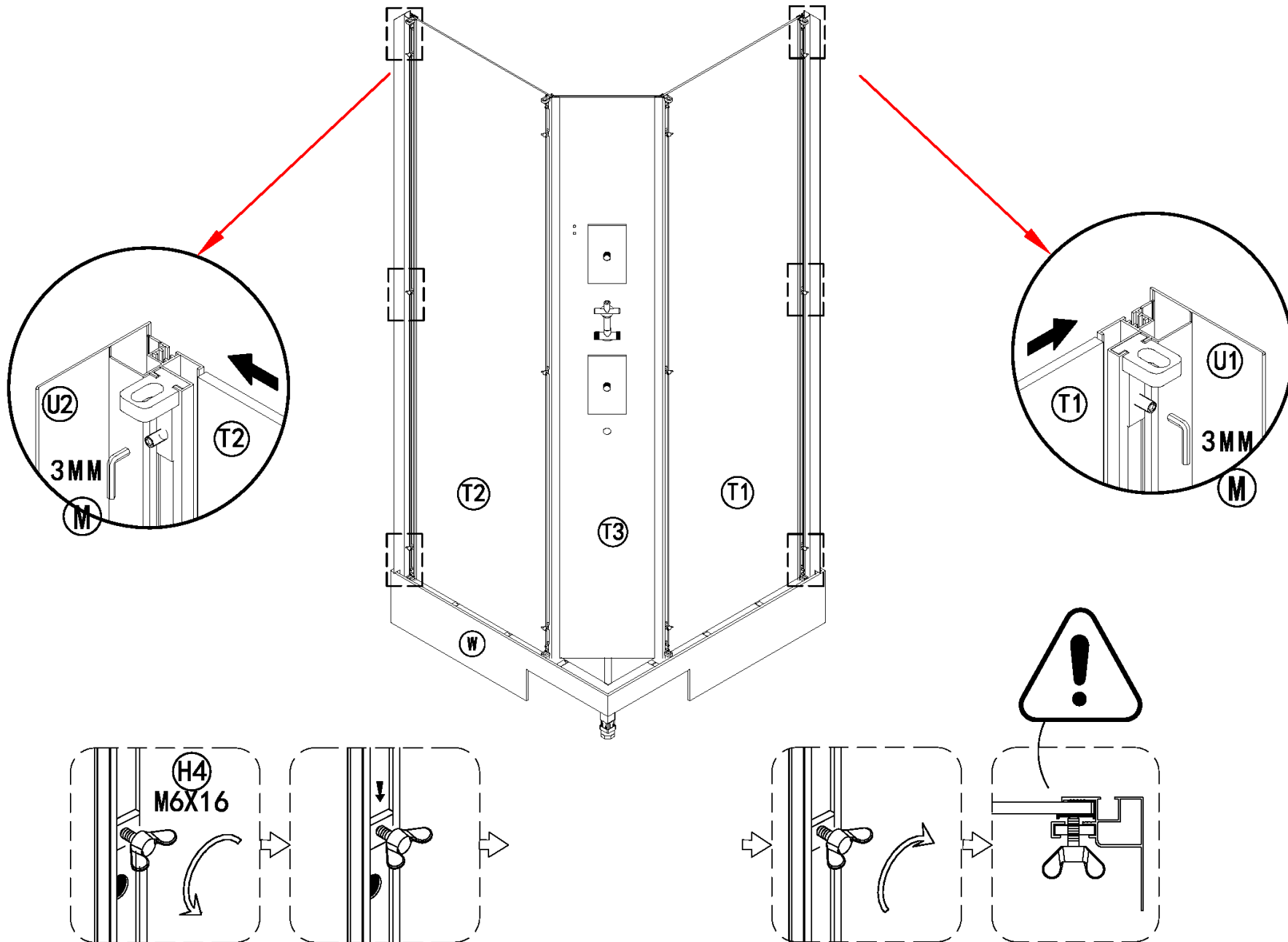


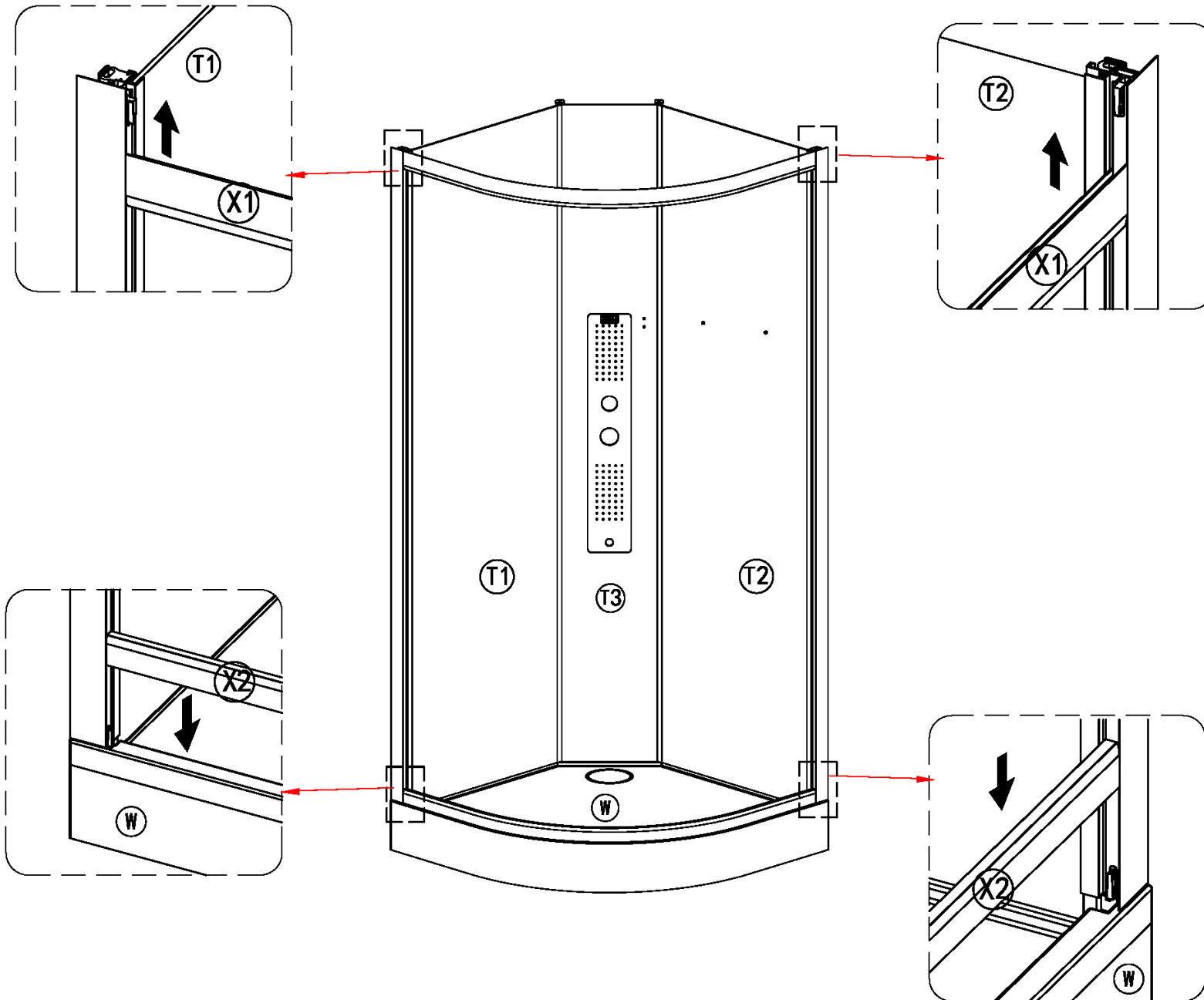


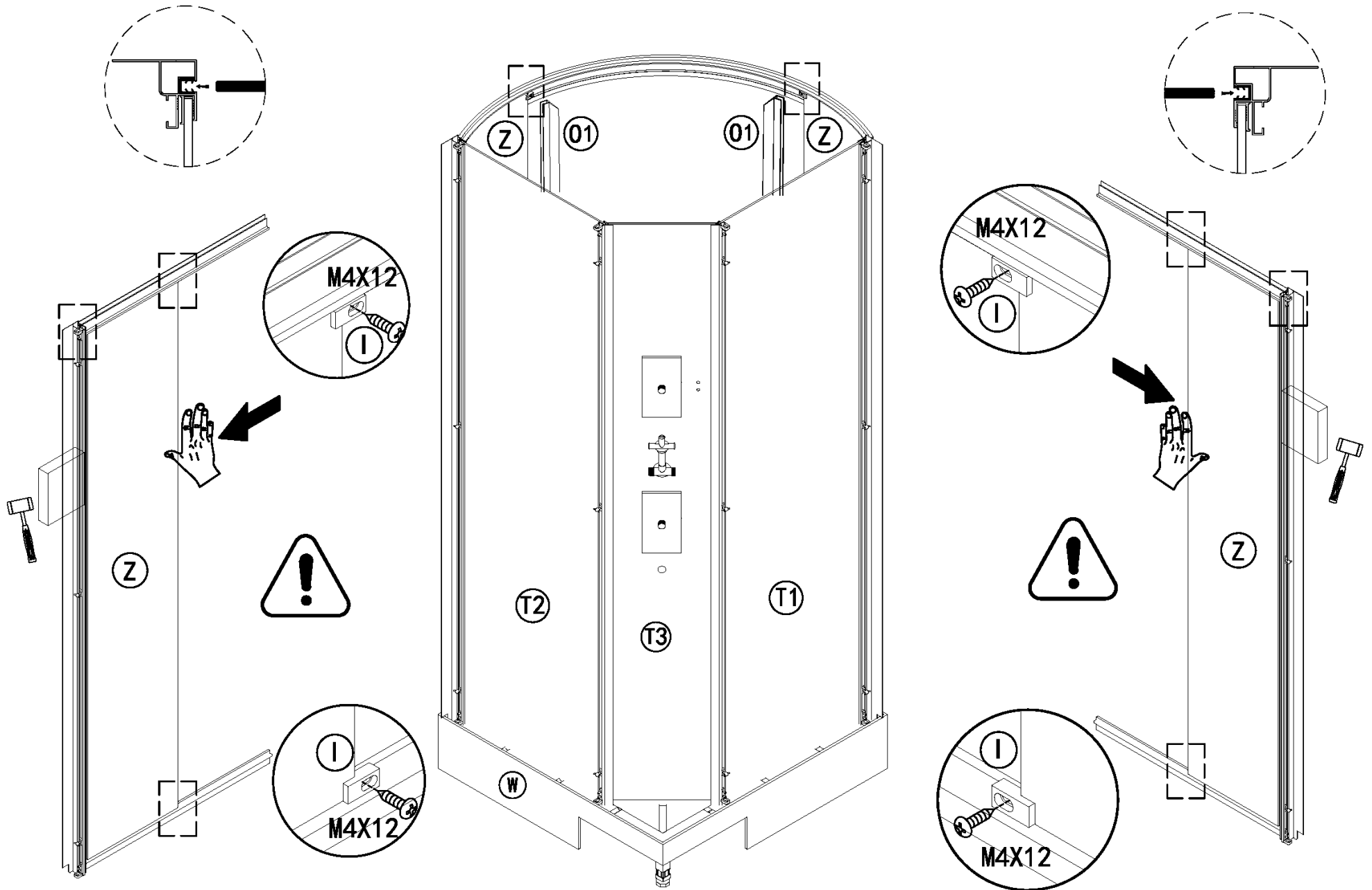


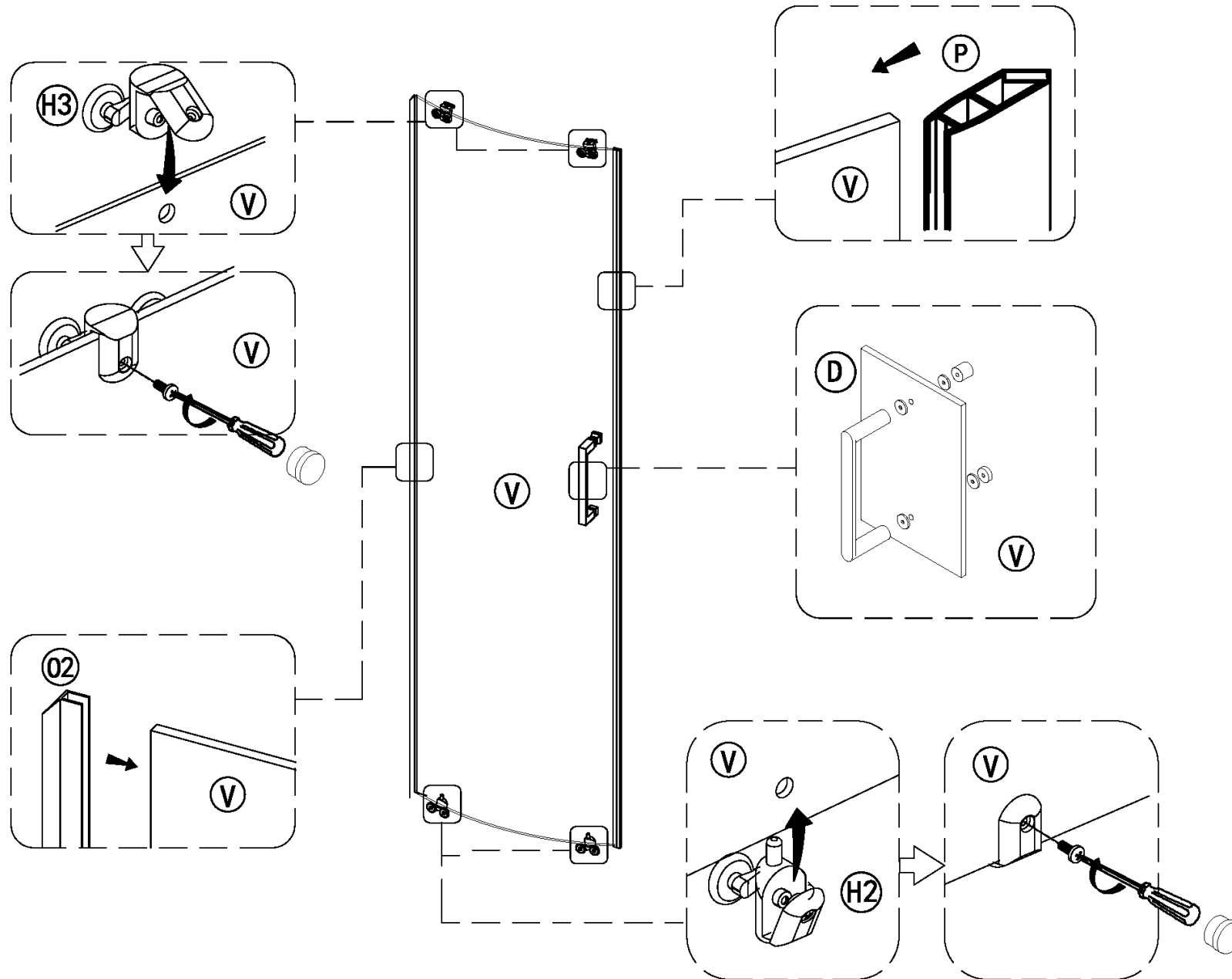




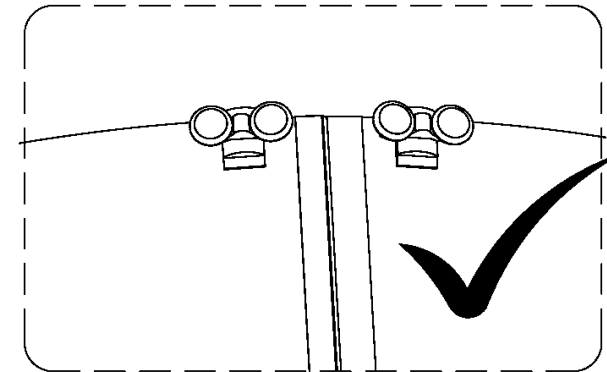
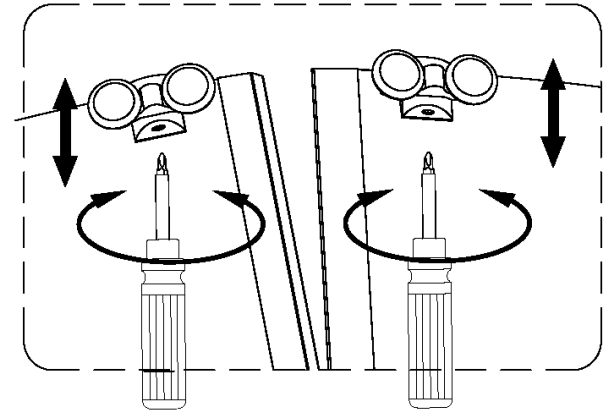
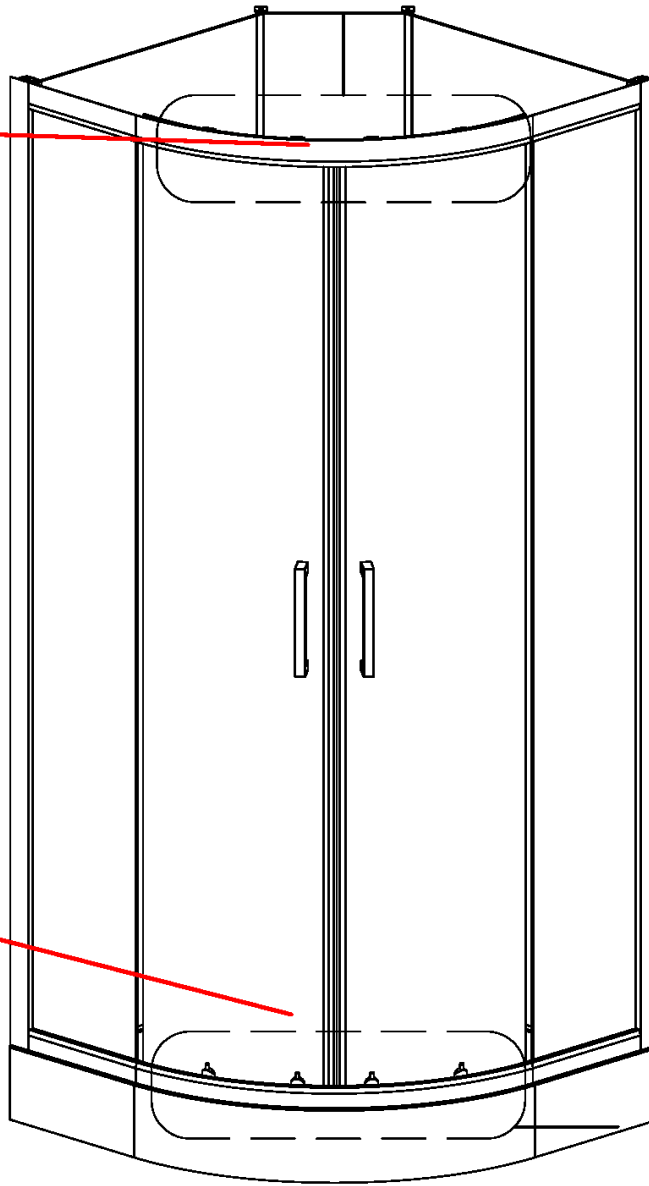
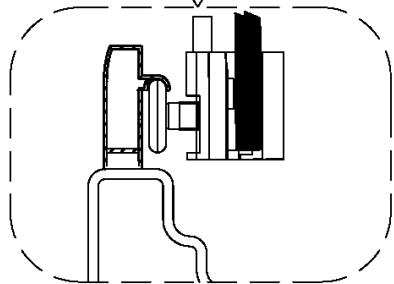
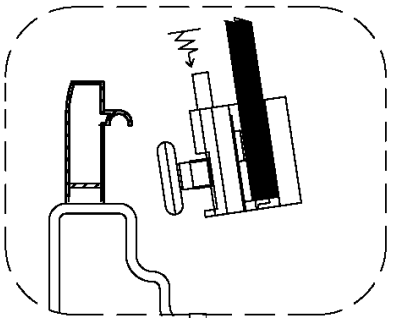
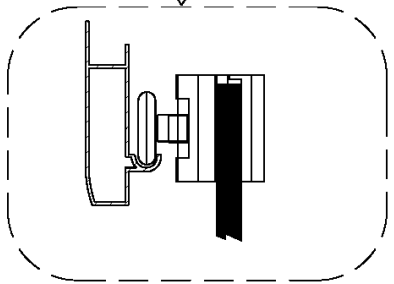
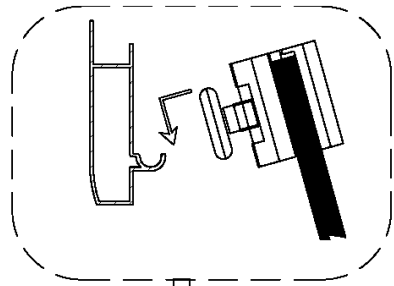


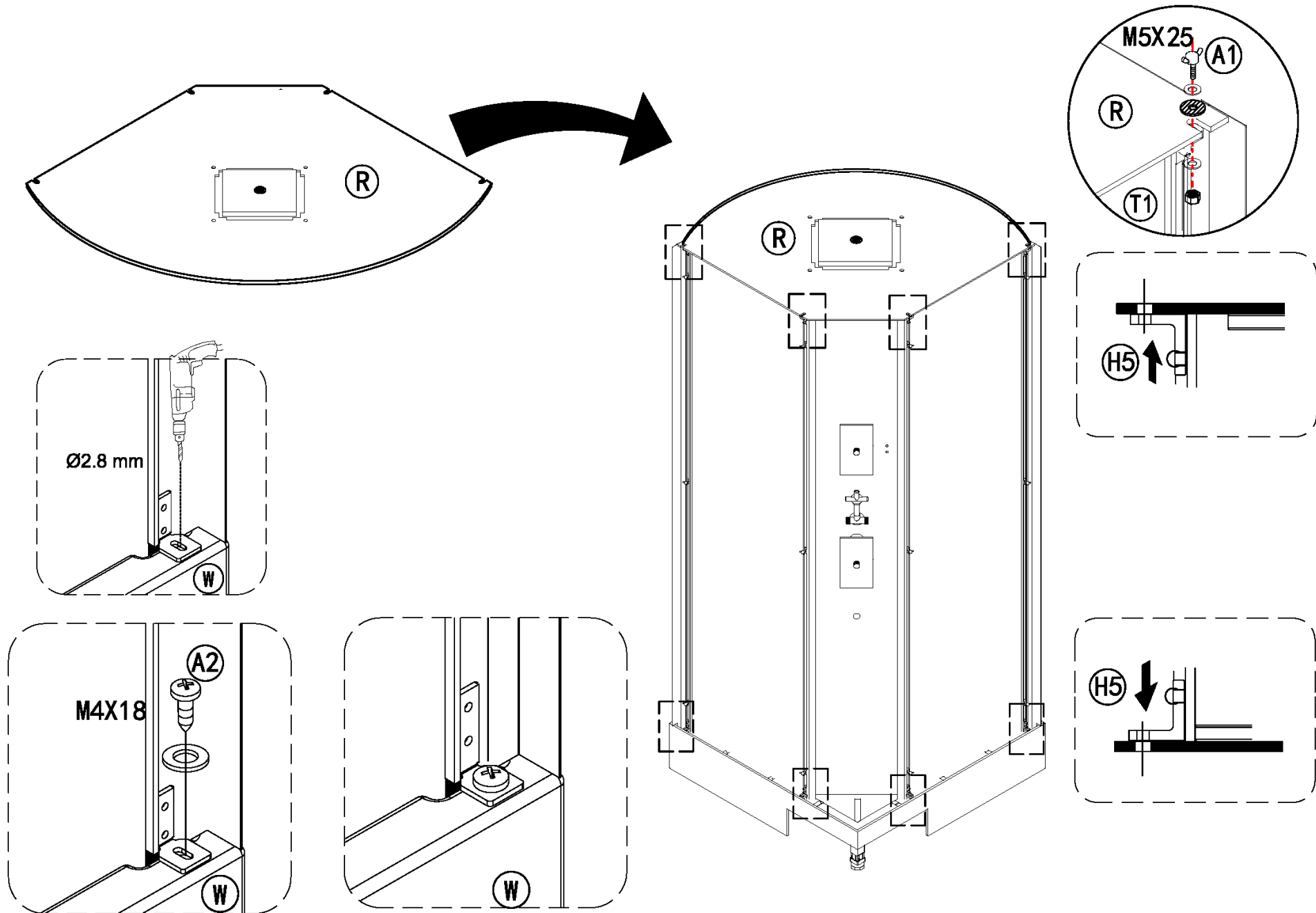


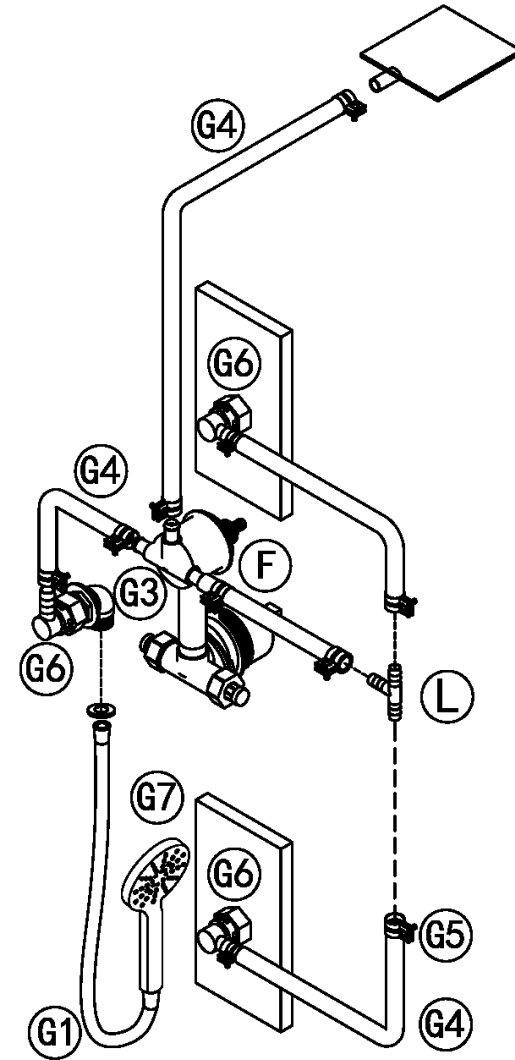
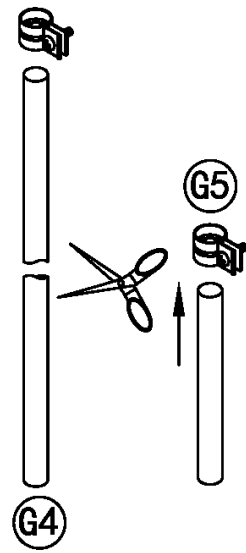
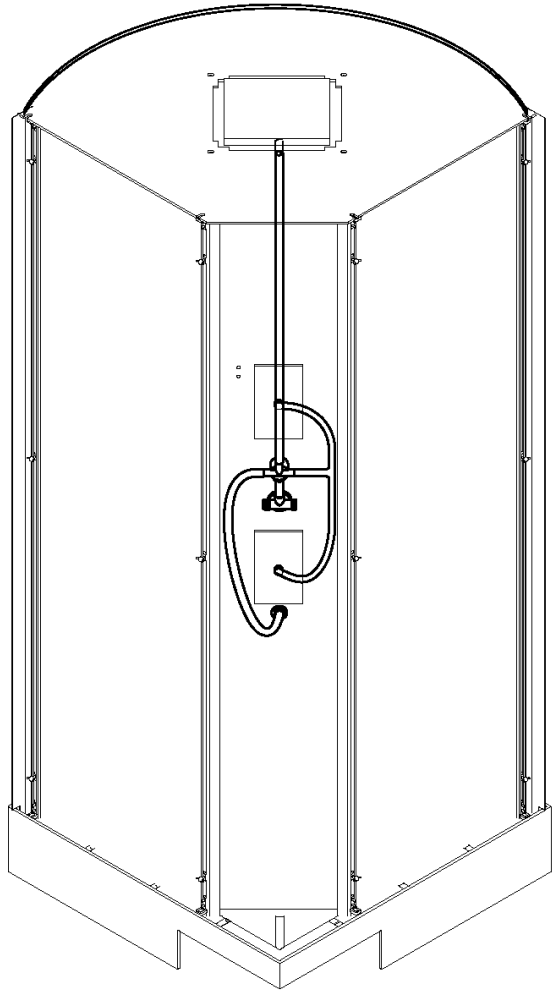


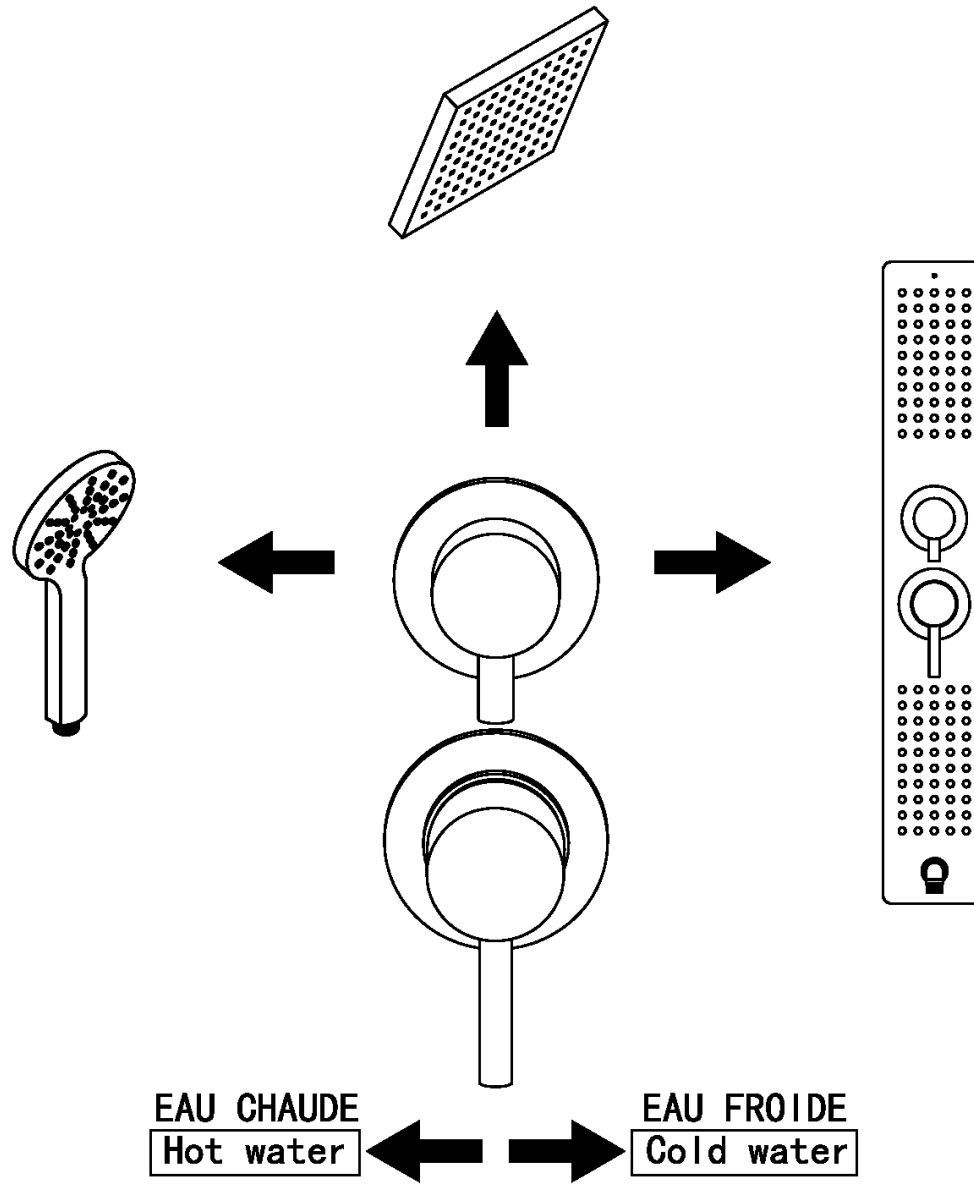




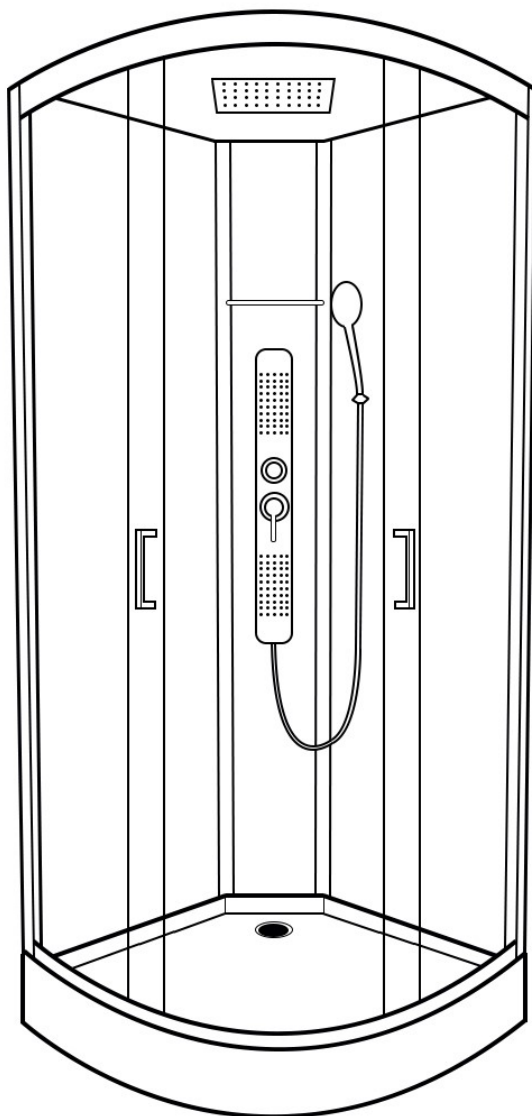








## Signing off your shower



Now your shower is assembled, there is just few steps before you can sign the shower off.

1. Please ensure all the connections are watertight including the waste, body jets, internal and external hoses.
2. Once you are happy, check the shower functions by switching on the overhead shower and then adjust the selector knob (top knob) to the hand shower and then onto the body jets. Whilst the water is running, check external hoses for any signs or water drips or leaks and tighten accordingly.

**Please note, when testing the body jets, water will shoot towards the open doors and the user.**

3. Do not aim the hand shower directly at the joints of your shower as this does not fall under “normal showering conditions”. However, due to Insignia’s unique design of the shower tray, water will only leak back in to the tray so you won’t get flooded.
4. Visually check the water flow in to the waste and adjust the feet of the tray accordingly to ensure the direction of the water flows towards to the waste to prevent over puddling (a small amount of puddling is normal).
5. Never use the shower until all checks have been made and the installer is 100% happy in the knowledge no hose leaks are present.
7. Any Rubbergum which has squeezed out between the panels and the tray, simply cut off using a sharp, clean knife blade.
6. Now push the shower from it’s base into it’s final position. **NEVER PUSH THE GLASS OR FRAME** into its final resting position.

*Happy Showering!*

## Parts List

<b>Part Code</b>	<b>Part Description</b>
<b>SP263</b>	<b>Door Wheels</b>
<b>SP268</b>	<b>Black Shower Hose</b>
<b>SP312</b>	<b>Door Handles</b>
<b>SP170</b>	<b>Valve—3 port 2 feed</b>
<b>SP314</b>	<b>Fixing Bolts/Wing Bolts</b>
<b>SP315</b>	<b>Matte Black Square Monsoon Shower Head</b>
<b>SP316</b>	<b>Soft Grip Matte Black Hand Shower</b>
<b>SP317</b>	<b>Matte Black Magnetic Door Seals</b>
<b>SP318</b>	<b>Tinted Glass Shelf</b>
<b>SP319</b>	<b>Shower Waste</b>

All images are registered with  
ImageTraker

Insignia™ is a registered trademark of Maclean International Ltd

All images are subject to copyright. Images may not be used in any way shape or form with out written permission from Maclean International Ltd. Images are NOT permitted to be saved, printed or uploaded. Violation of copyright laws are punishable by law.