

# Installation Guide

## KYS900 Sauna



*In* **d** *signia*

# INSIGNIA INSTALLATION GUIDE

## KYS900 Sauna

**IMPORTANT** : Please check all contents before build commences. No returns will be accepted once the build has started as it is deemed acceptance of product.

**30 Day Technical Support** : Please call 01908 317512 and request technical support for assistance during your build, should you require it.

**Replacement Parts** : To request replacement parts covered under your warranty, please visit [insigniashowers.com](http://insigniashowers.com). Click Support and make a warranty request.

**Spare Parts** : For spare and replacement parts outside of your warranty period, please visit [insigniashowers.com/replacement-parts.html](http://insigniashowers.com/replacement-parts.html).



# Contents

Thank you for your recent purchase of an Insignia product. Please read this guide with great care to ensure you get the best out of your build and have a finished product that will last for many years to come.

Electrical & Tool Requirements	04
Box Contents	05
Assembly of the Exterior	06
Assembly of the Roof	14
Installation of Door	15
Fitting the Sauna Heaters	18
Installing Accessories	19
Water Valve Connections	23
Power Connections	24
Control Panel Instructions	25
Sauna Safety Instructions	27
WEEE Compliance	28

*Insignia*

# Electrical & Tool Requirements

## Electrical Requirement

Voltage Rating : 220 - 240AC

Frequency Rating : 50Hz

Power Rating : 2500 Watts

Amperage : 10.42 Amps

Always consult a qualified Electrician before connection to ensure suitability. Your electrical contractor will understand ALL legal requirements of connection before undertaking any work or installation.

### UNDER NO CIRCUMSTANCES UNDERTAKE THIS YOURSELF WITHOUT CONSULTATION

**Note for Electrician** : This product comes with pre-fitted RCD unit. We leave it this way for you to connect it your own way due to continued additions to current regulations.

- Connect within current laws and IP directives. Subject to room location.
- (Preferred) Wire into isolated fused feed connecting directly to the house consumer/service box.

Always use protection against electrical surge. Your shower should be treated the same as a home computer. A surge protector should eradicate the possibility of either the transformer or control panel being burnt out.

Subject to connection type, electrical work needs to be signed off by a fully qualified operative by law. Failure to adhere to this will not only void your electrical warranty for your sauna, but could void your house insurance.



## Required Tools

Scissors  
Knife  
Spirit Level  
Tape Measure  
Philips Screwdriver  
Electric Drill  
Safety Gloves & Glasses



**Recommended minimum 2 person installation.**

# Box Contents

**IMPORTANT** : Have you got everything? If not please contact the Insignia directly on 01908 317 512.

Remember to never book your tradesman until everything has arrived, been checked and is present.

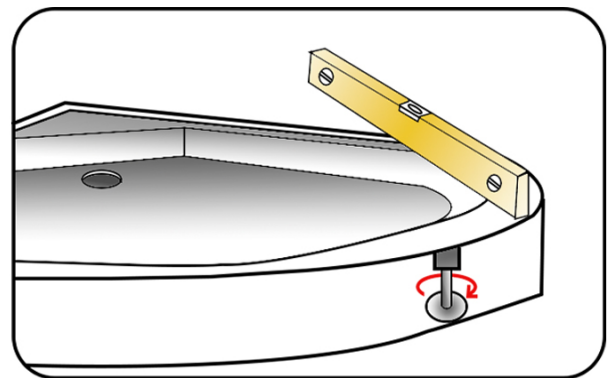
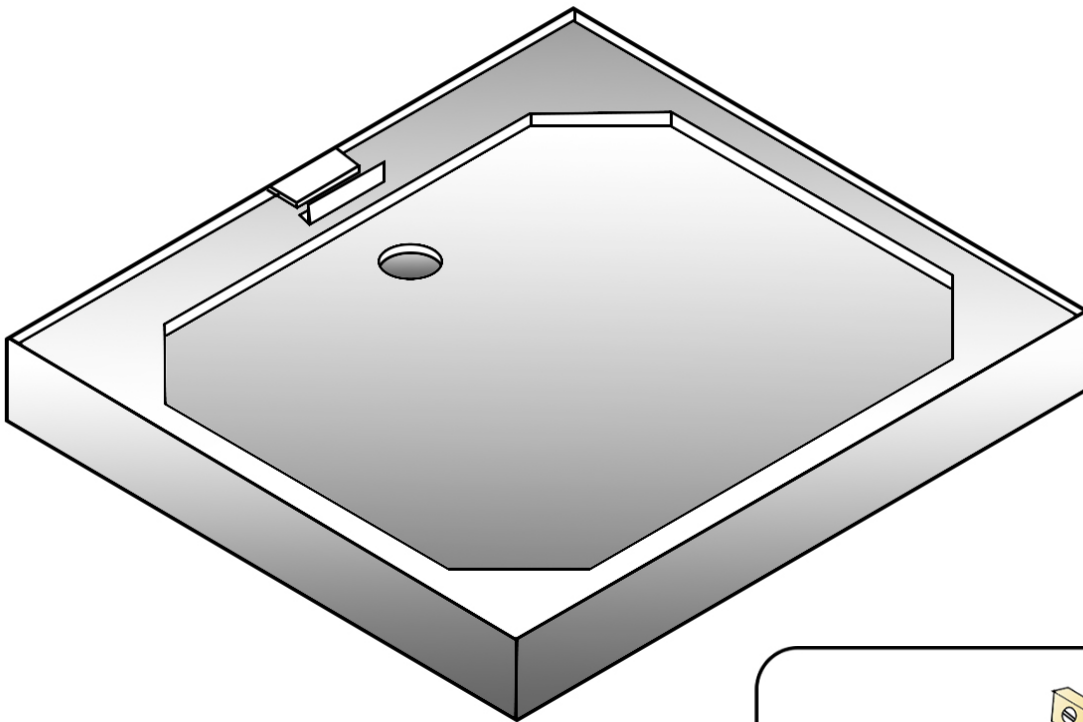
No replacement/missing parts can be obtained free of charge during or after the build. Any claims can only be within the timescale permitted (48 hours after delivery) and always before the build.

## Box Contents Check List

Heater	Quantity 3	[ ]
Heater Covers	Quantity 3	[ ]
Column	Quantity 1	[ ]
Corner posts	Quantity 4	[ ]
Stool	Quantity 1	[ ]
Hand Shower + Riser Rail	Quantity 1	[ ]
Glass Shelf	Quantity 1	[ ]
Mirror	Quantity 1	[ ]
Tray	Quantity 1	[ ]
Roof	Quantity 1	[ ]
Back Glass Panel	Quantity 2	[ ]
Front Fixed Glass	Quantity 1	[ ]
Side Panel	Quantity 2	[ ]
Door	Quantity 1	[ ]
Screw Pack	Quantity 1	[ ]

# Step 1 :

## Levelling the Tray



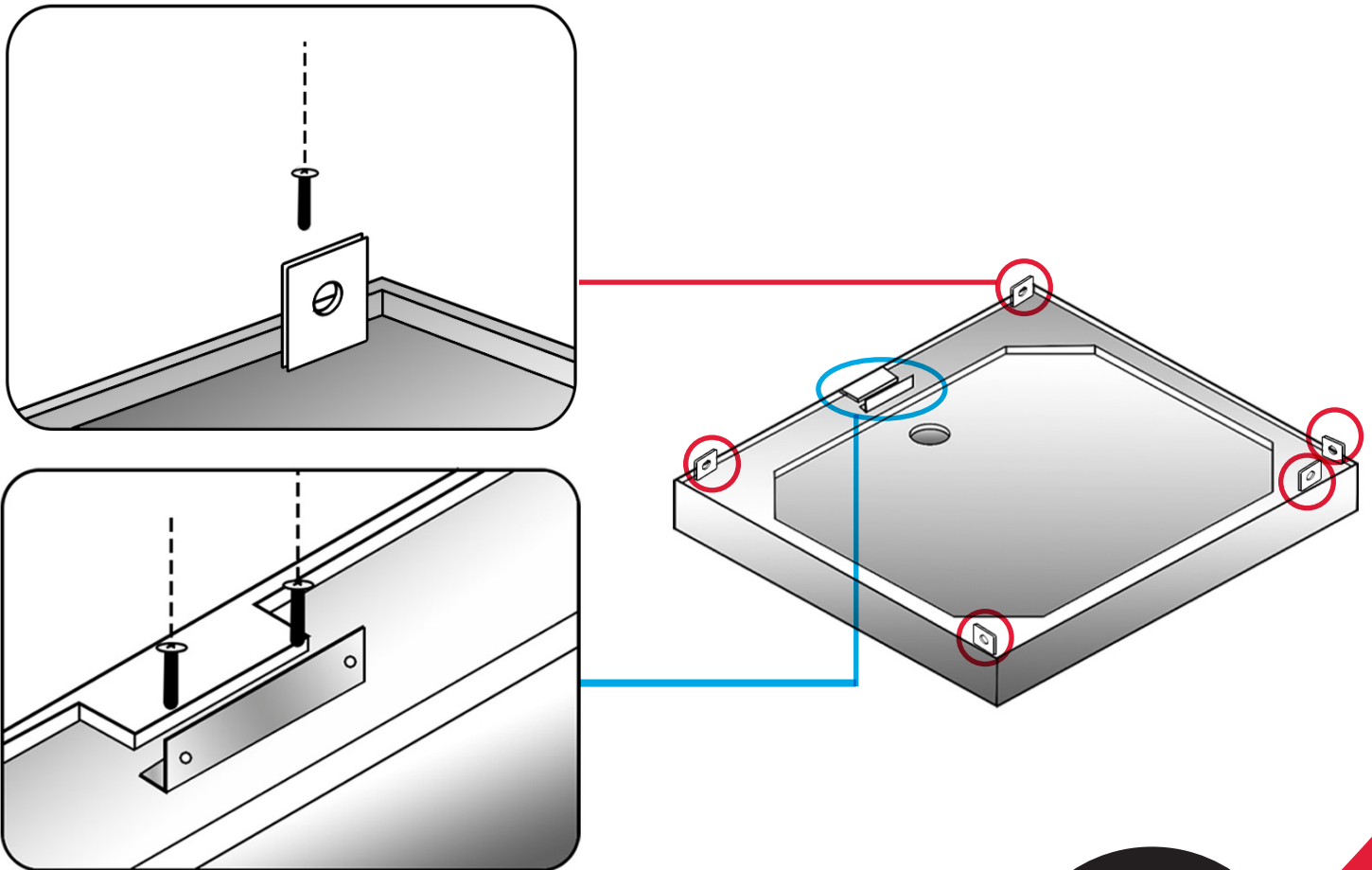
### Note

Level the tray by using a spirit level and then changing the elevation of the legs by screwing clockwise or counter-clockwise



# Step 2 :

## Connecting the Column and Glass Panel Brackets



### Note

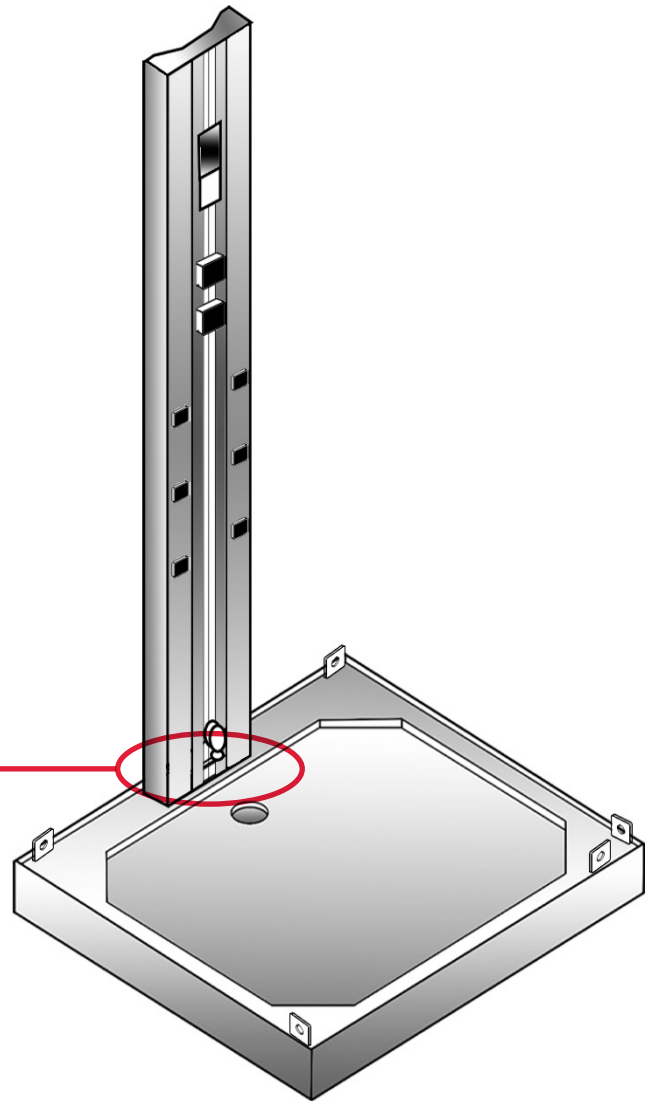
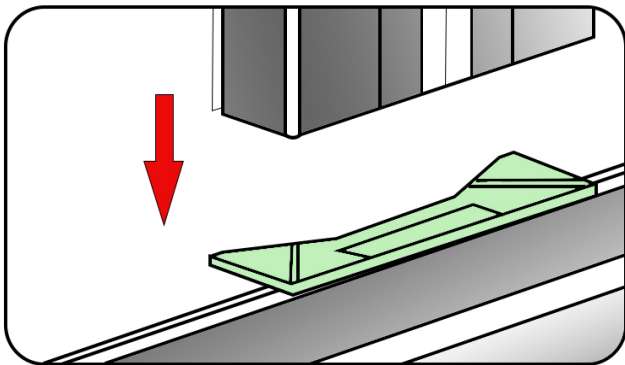
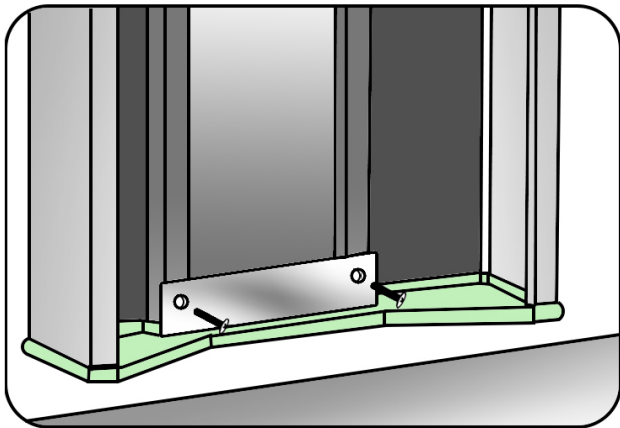
Take the glass brackets and connect to the tray, with the screw tightening connection facing inside the tray. Locate the pre drilled holes for connection. Repeat for all brackets.

Then take 90 degrees 'L' bracket and connect readt for the column



# Step 3 :

## Installing the Column



*Insignia*

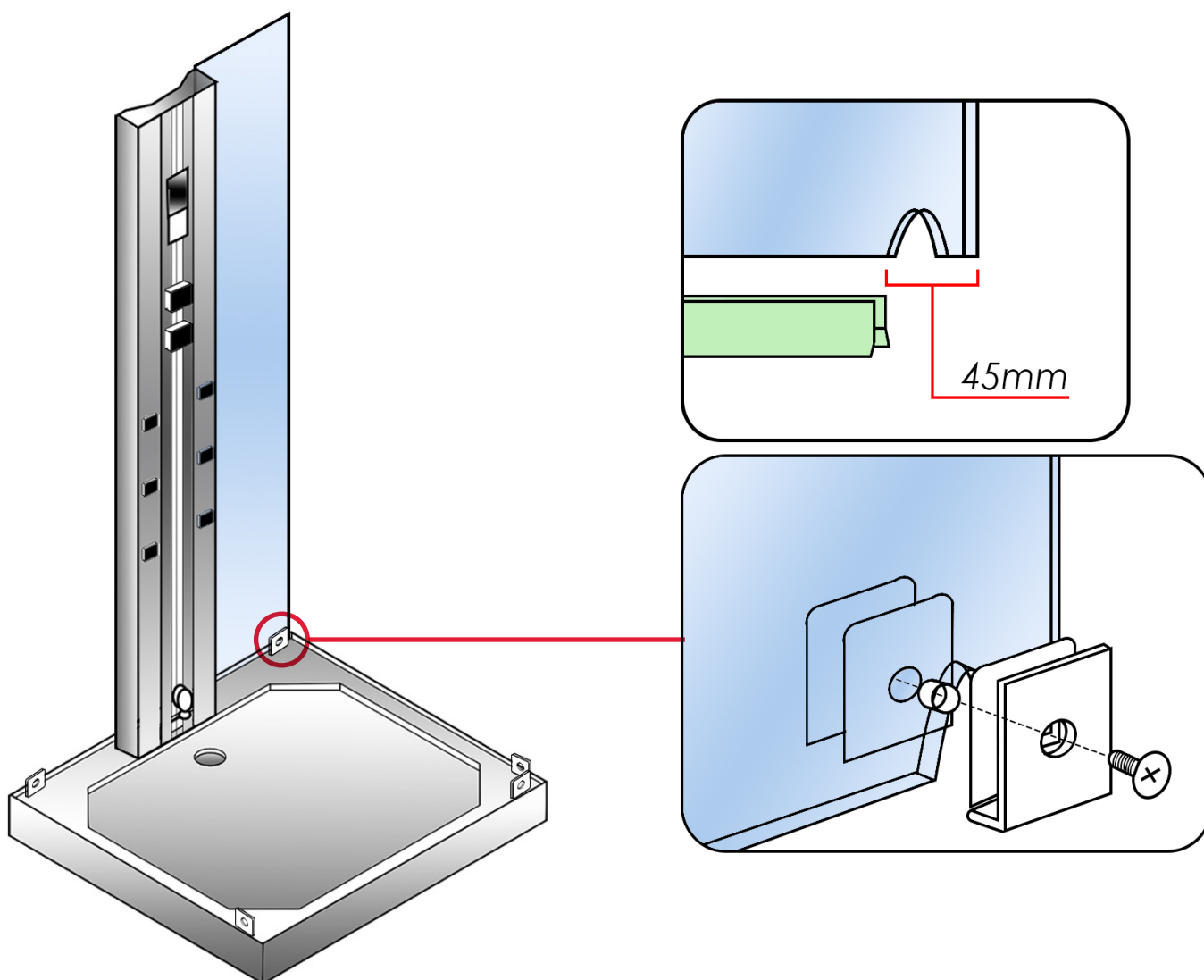
### Note

Take the rubber seal without holes and place on the tray. Slot the column into position, ensuring you connect all power cables as you align the column. Once aligned, screw the column into the 'L' Bracket.



# Step 4 :

## Installing the Right Back Panel



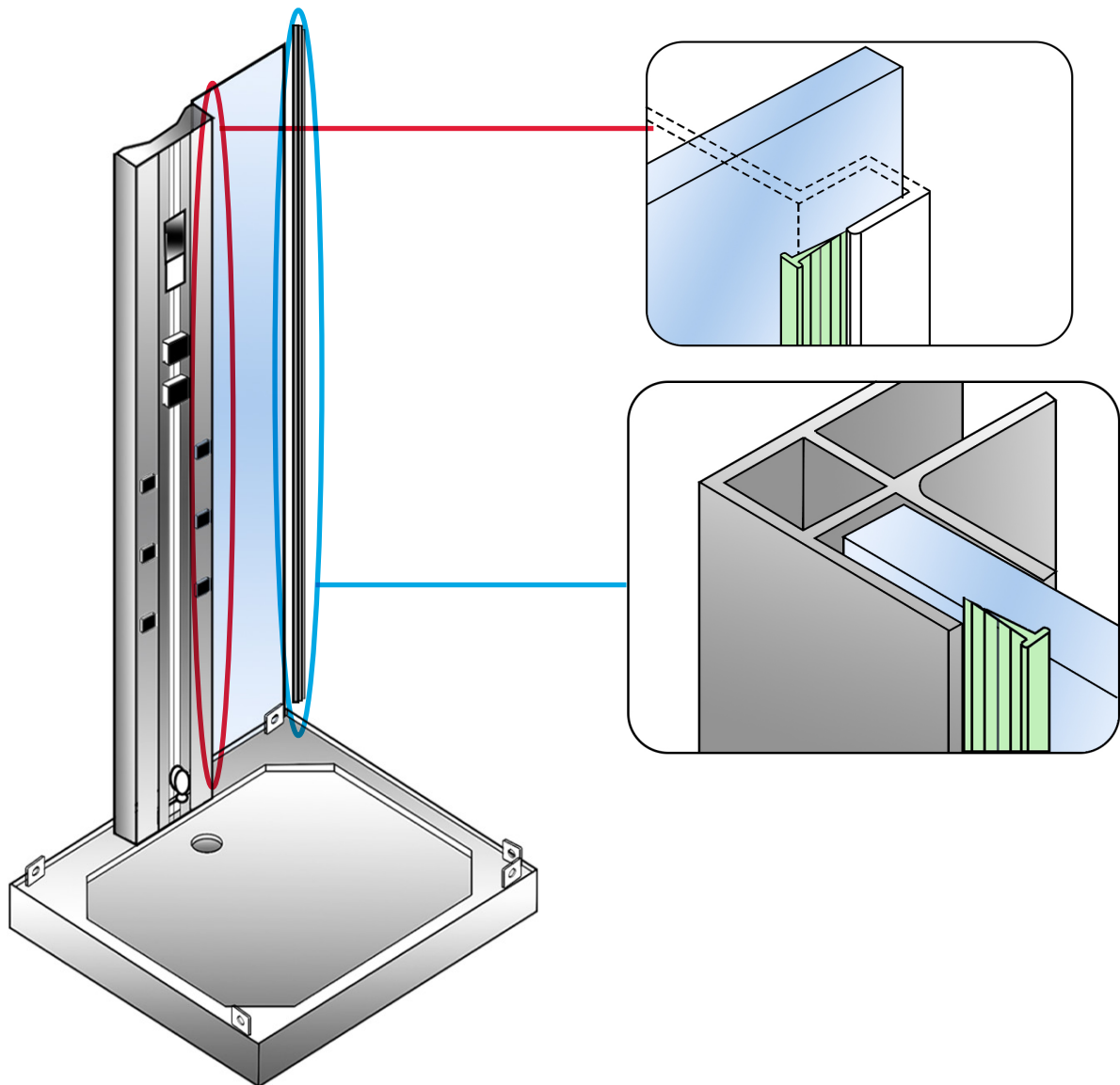
### Note

Ensure you place a seal along the bottom of the glass panel first. Then simply slot the glass panel into the bracket and secure in place with the bolt.

Leave a gap at the end of the seal for the bracket to fit.

# Step 5 :

## Installing the Right Back Panel Framework



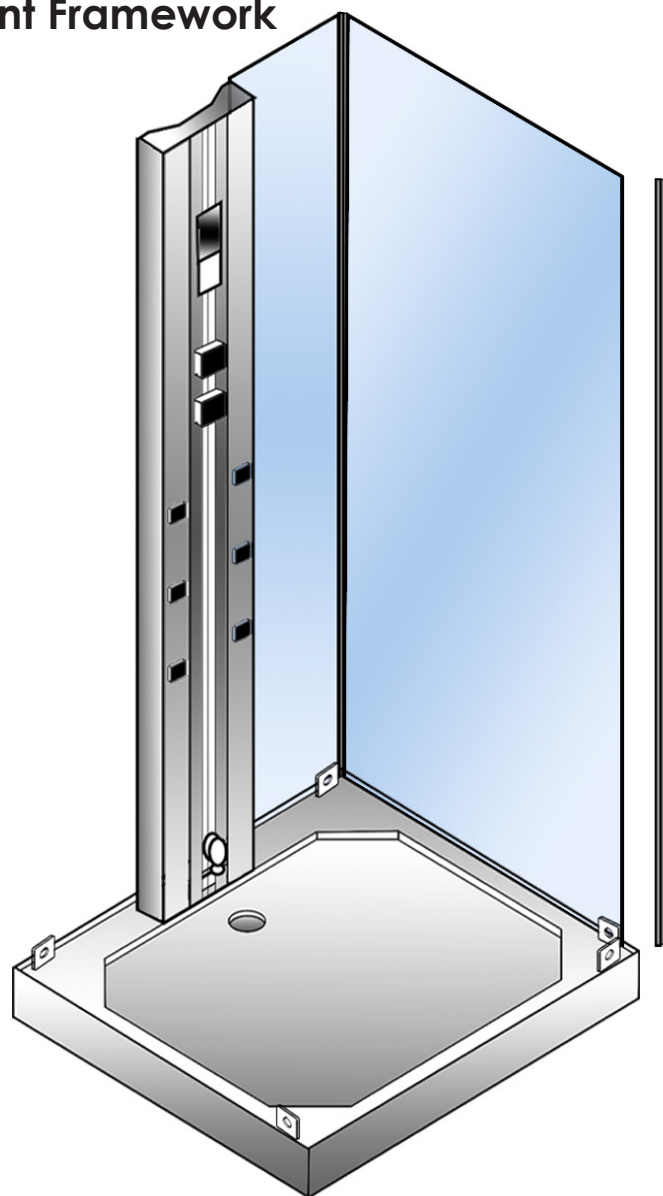
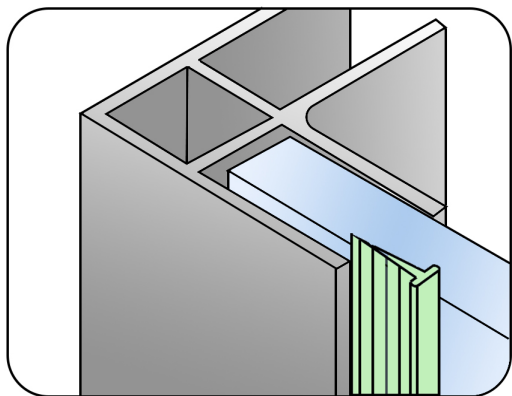
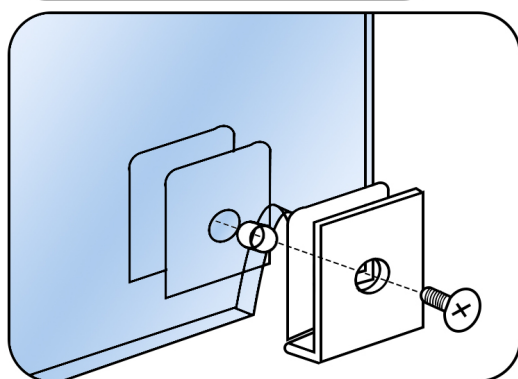
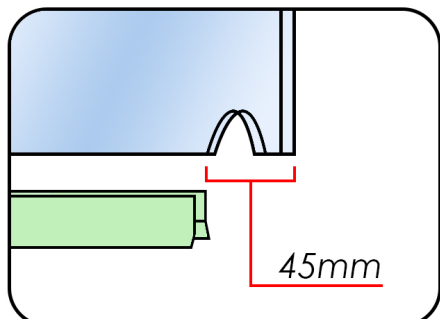
### Note

Between ALL glass and aluminum framework connections, place a ribbed rubber seal tightly to protect the glass and secure in position.

Along the corner of the glass, place the 90 degree aluminium framework connector, angled to allow the side panel to be inserted along the right hand side of the shower.

# Step 6 :

## Installing the Right Side Panel and Front Framework



### Note

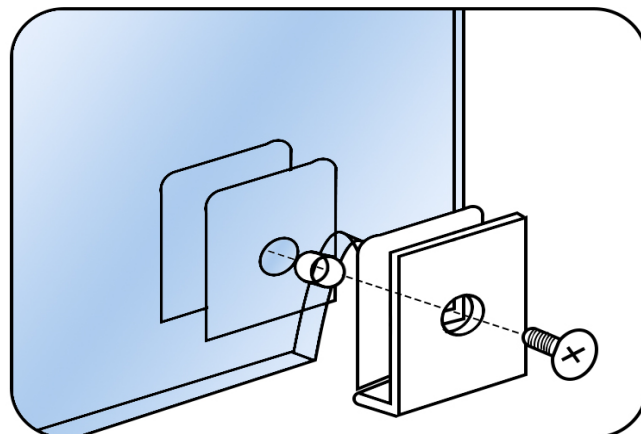
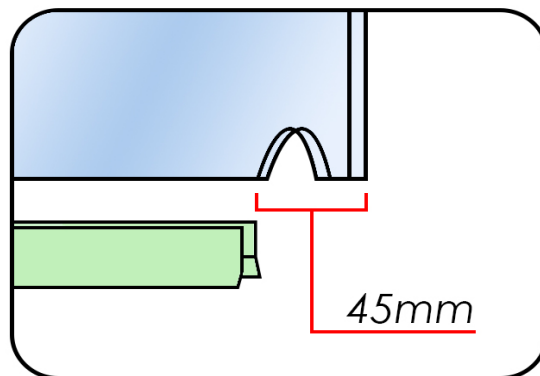
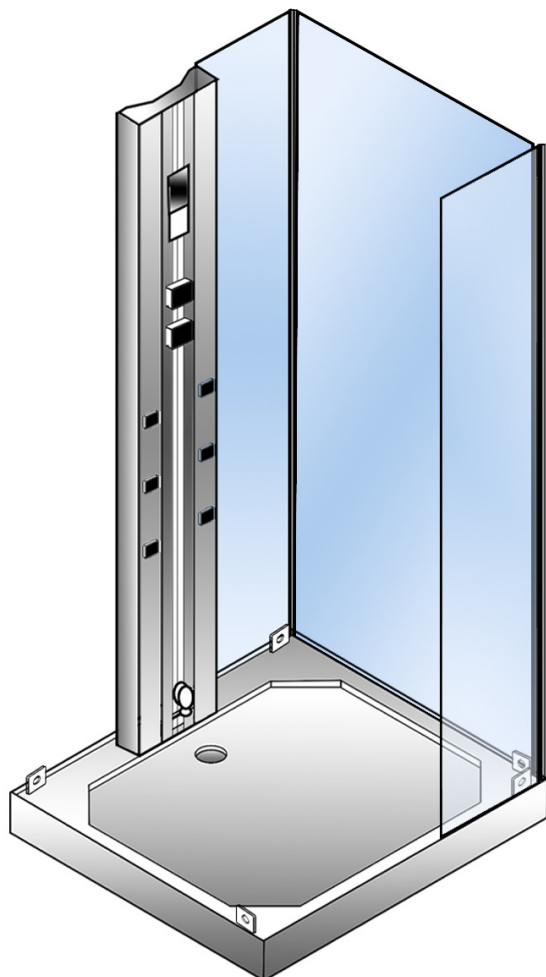
Ensure you place a seal along the bottom of the glass panel first. Then simply slot the glass panel into the bracket and secure in place with the bolt. Also ensure you feed the panel into the 90 degree corner upright.

Once installed, slot in the seal to protect and secure.

*Insignia*

# Step 7 :

## Installing the Front Fixed Glass



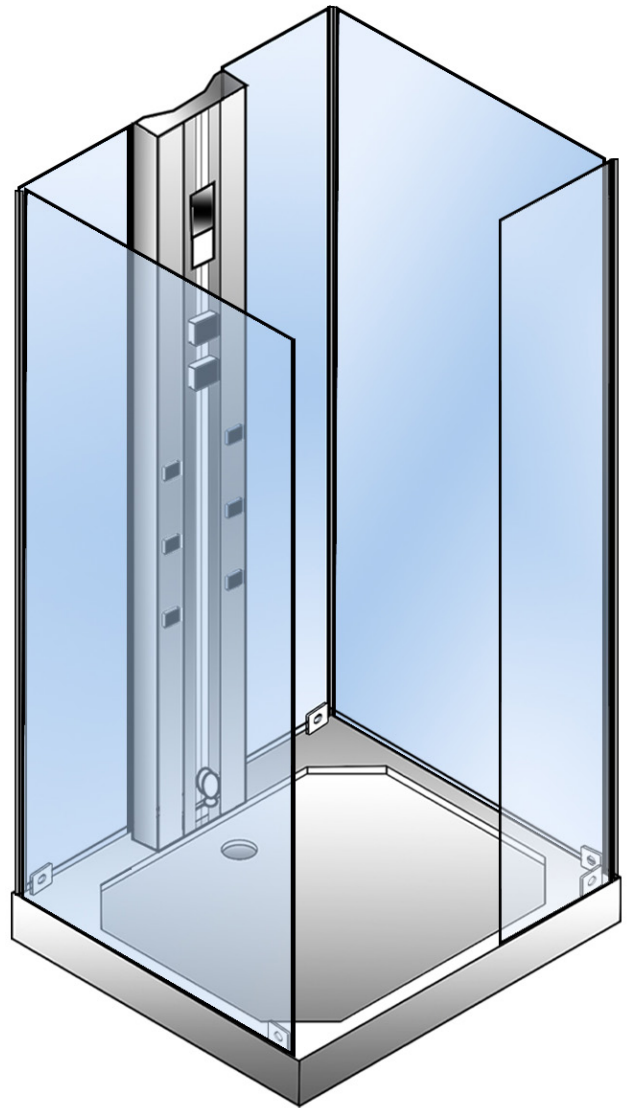
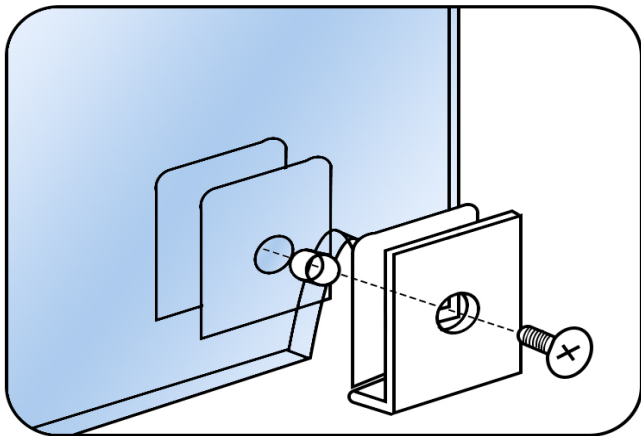
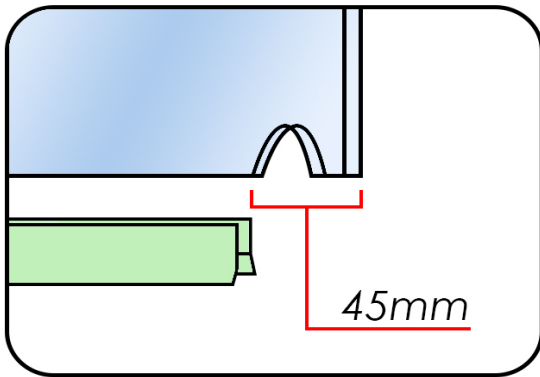
Insignia

### Note

Repeat the process from the previous pages.

# Step 8 :

## Installing the Left Back and Side Panels

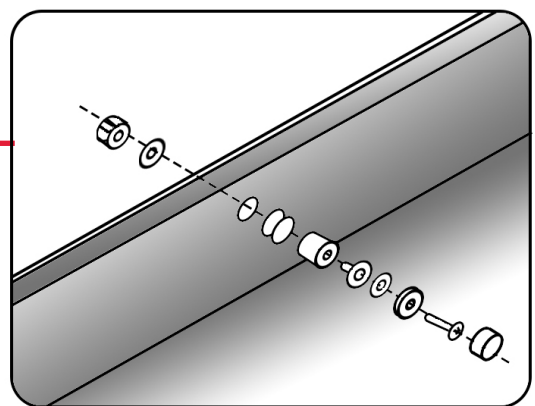
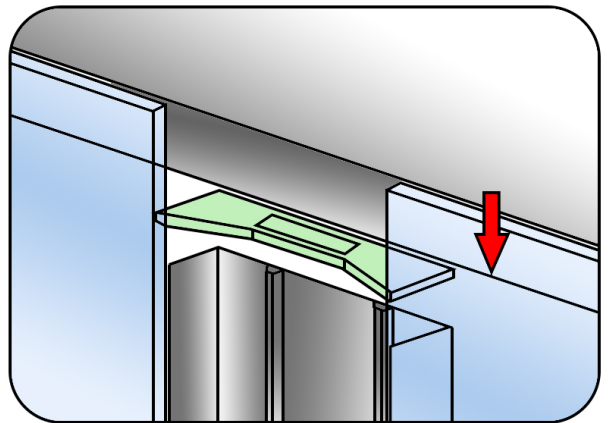
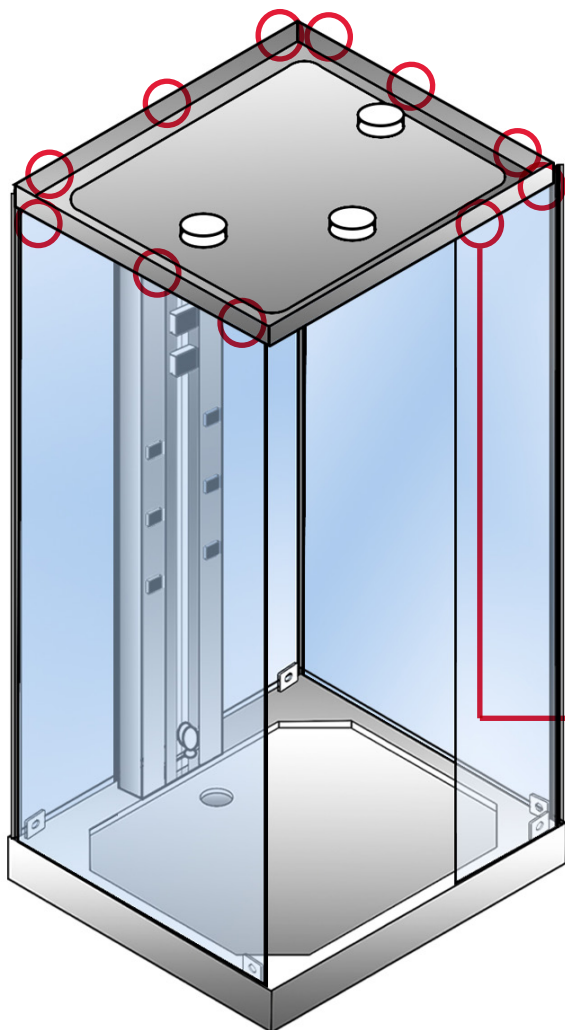


### Note

Repeat the process from the previous pages

# Step 9 :

## Installing the Roof



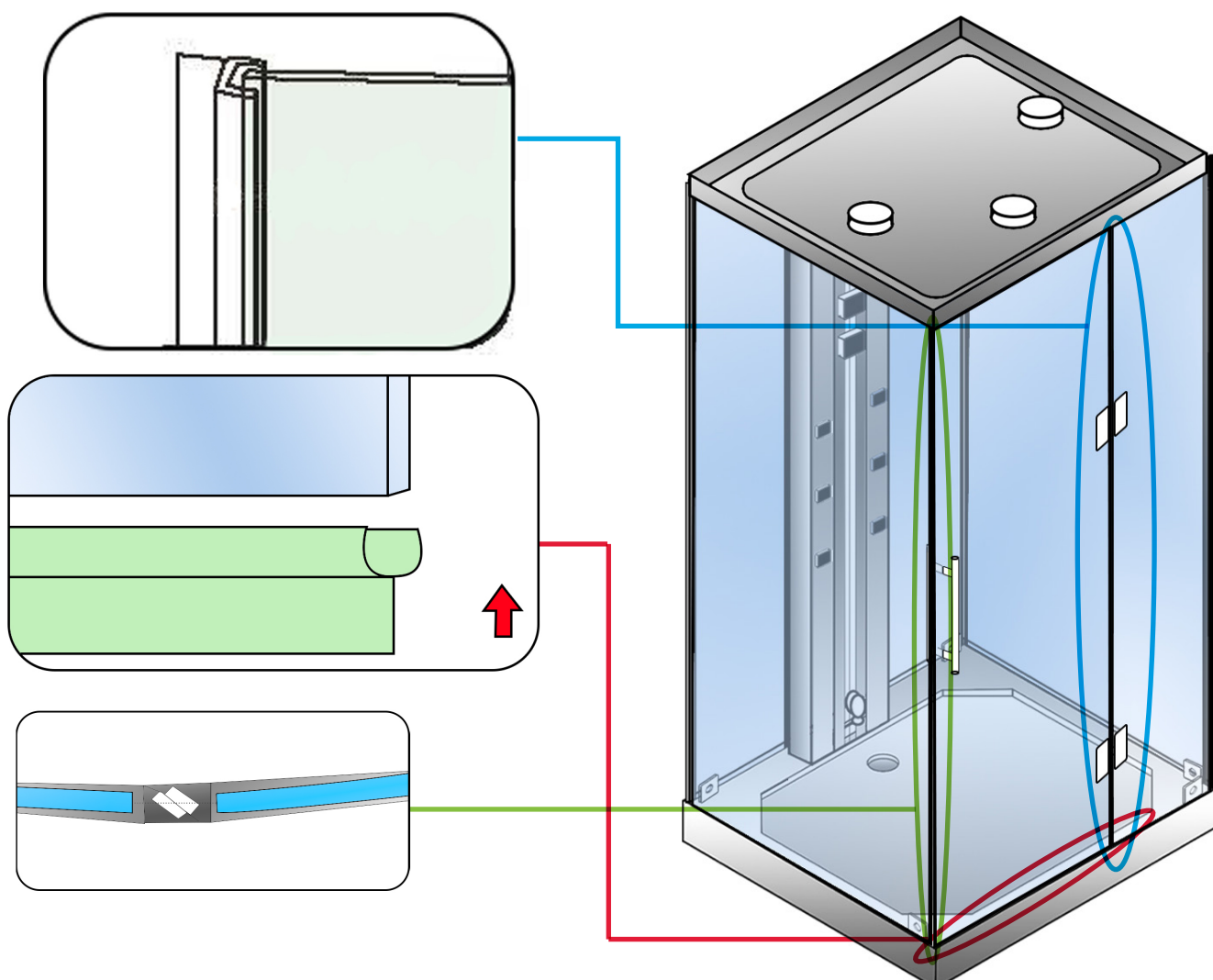
### Note

Place the rubber seal on the top of the column before putting the roof in place. Use the provided nuts, bolts and screws to secure the roof.



# Step 10 :

## Installing the Door Seal



### Note

Push the fixed glass seal onto the fixed glass.

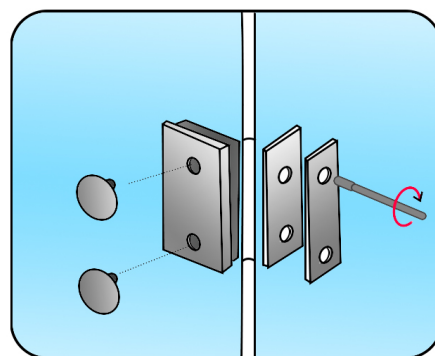
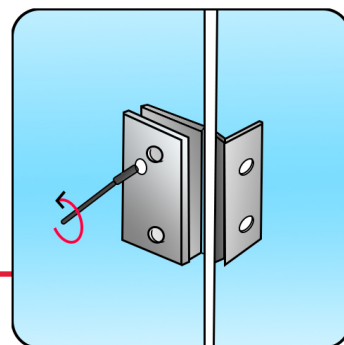
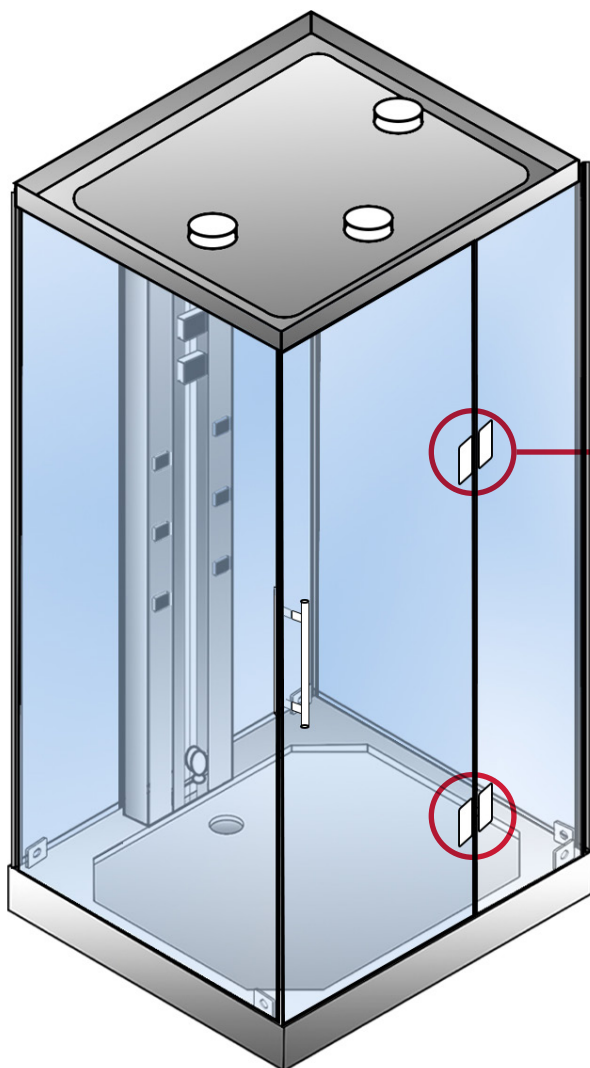
Push the bottom door seal onto the door.

Push magnetic door seals on the door and fixed glass panel

*Insignia*

# Step 11 :

## Installing the Door Hinges



### Note

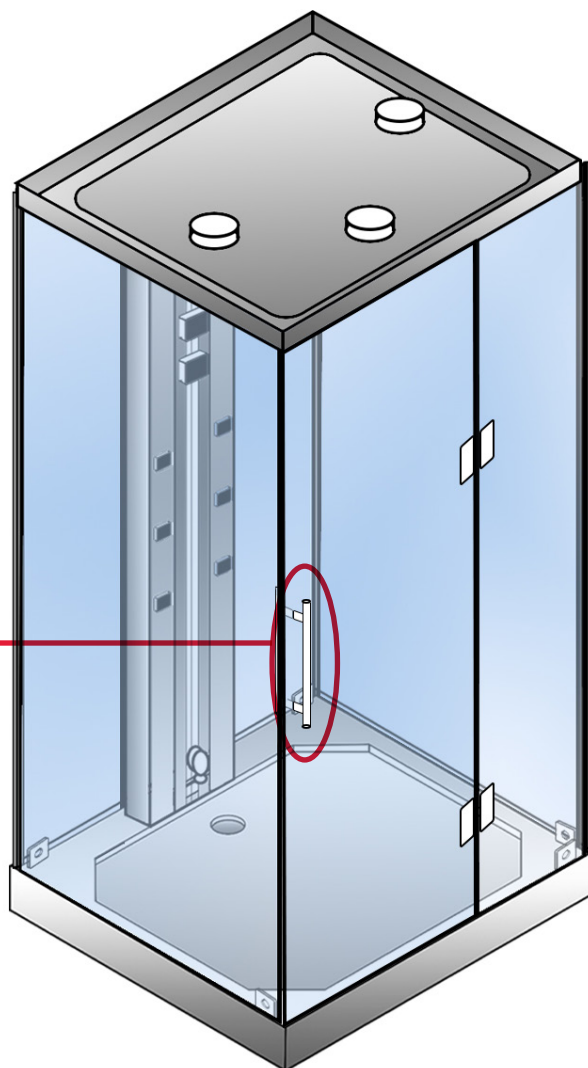
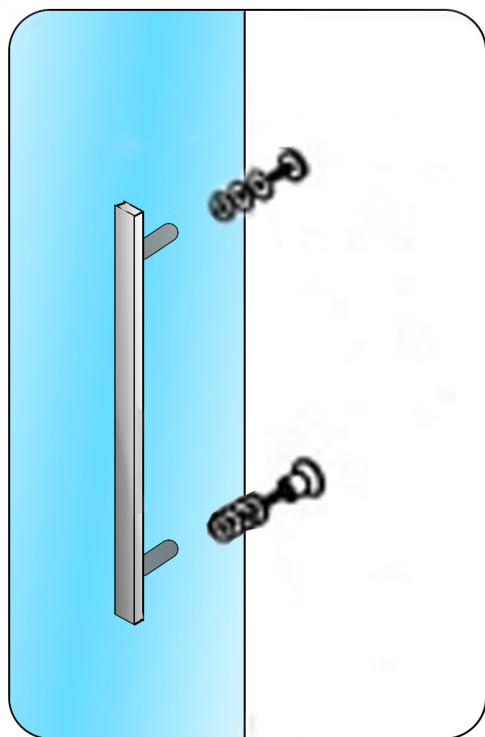
Use the Allen key provided to take the hinge apart. Use glass protecting spacer either side of the glass and connect the bolts from the inside of the shower.

Lift the door into position and hold steady whilst connecting the hinges. To align, slacken off the hinge slightly, adjust the door position and then retighten. Repeat the process till the door shuts perfectly.

Insignia

# Step 12 :

## Installing the Door Handle

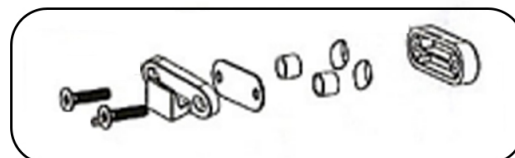
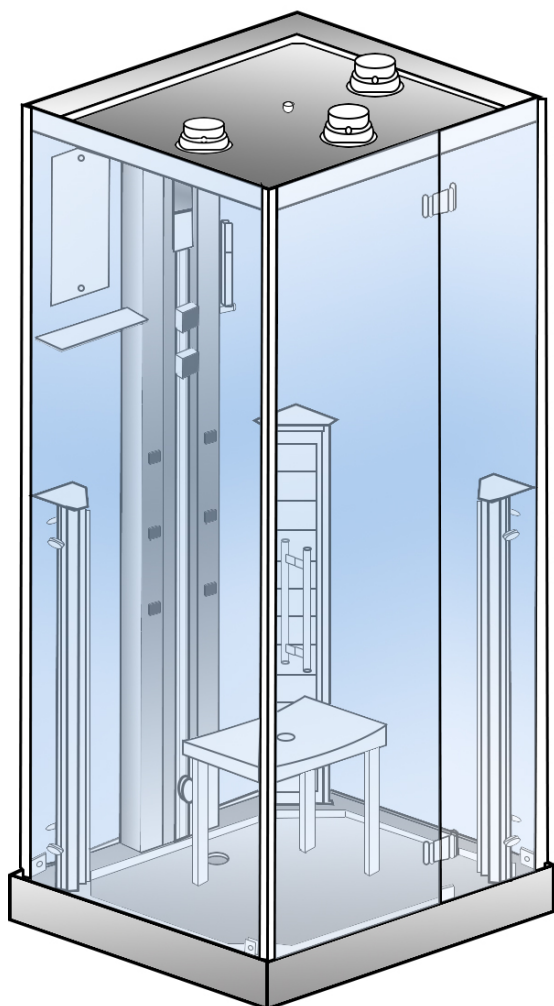


### Note

Use the Allen key provided to take the door handle apart. When connecting ensure you have the glass protecting spacer on either side of the glass.

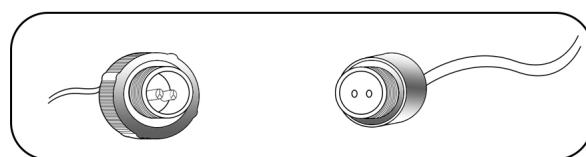
# Step 13 :

## Installing the Sauna Heaters



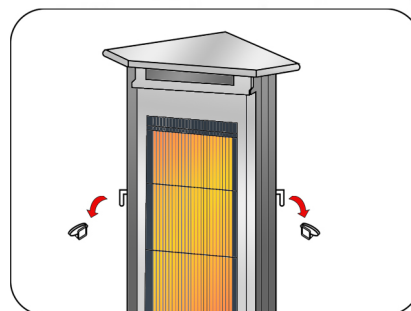
### Note

Install all heater brackets with the hook on the inside of the shower. ALWAYS facing upwards. Also use the round glass protectors over each bolt.



### Note

Connect the wires under the heaters. Feed the wire up into the heater to ensure a flush fitting on the next step.

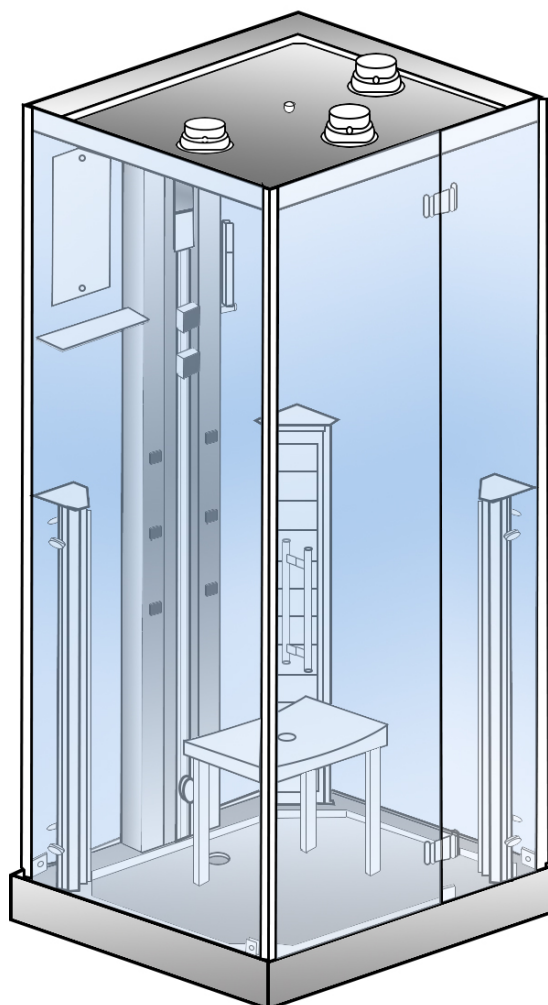
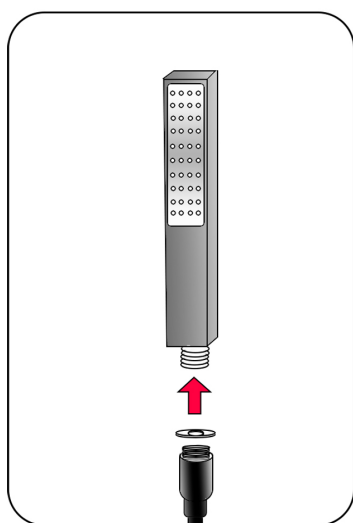
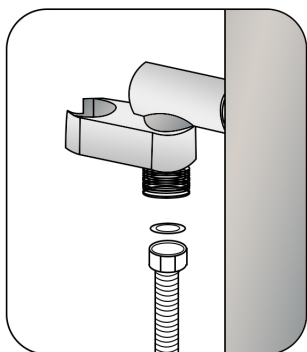
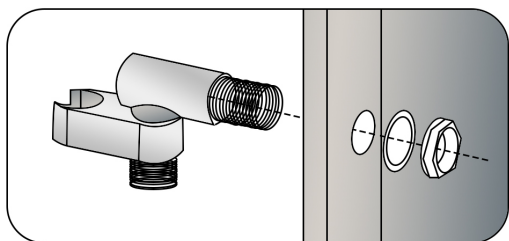


### Note

Ensure each corner is sitting at 90 degrees and slot the heater onto the brackets. Tap the heater down with a mallet to lock them into position. Ensure the connection wire is fed up inside the heater for a flush fit.

# Step 14 :

## Installing the Accessories



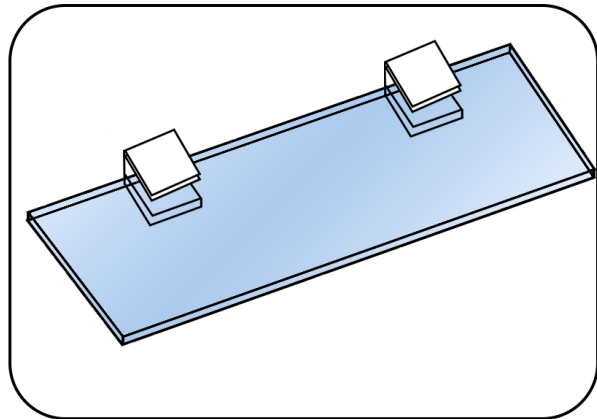
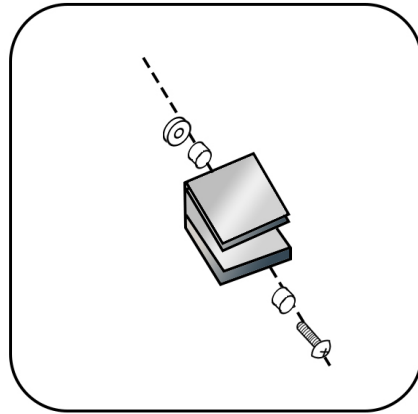
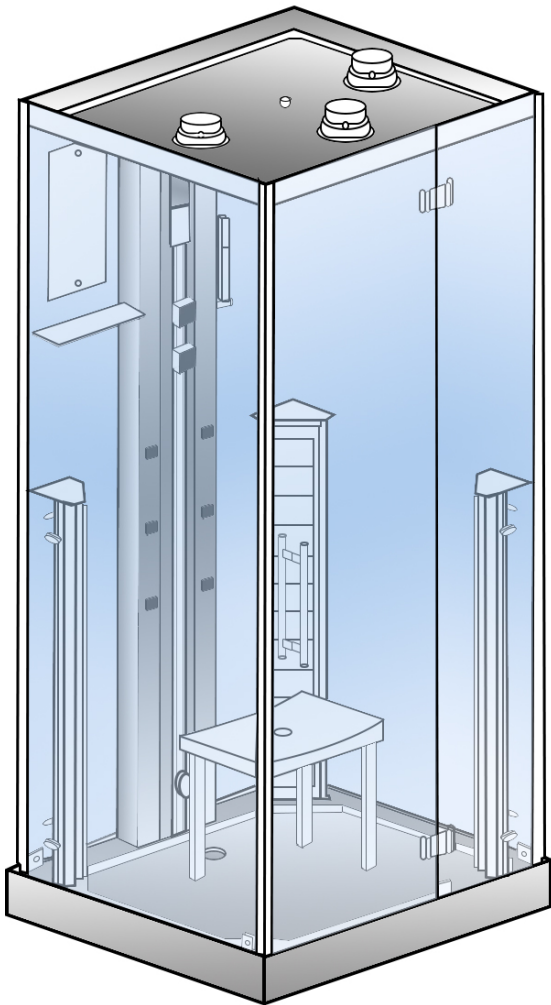
### Note

Using the accessories connection bolts, screw the accessories in position and secure from the rear using washers and nuts.

*Insignia*

# Step 15 :

## Installing the Accessories Continued



*Insignia*

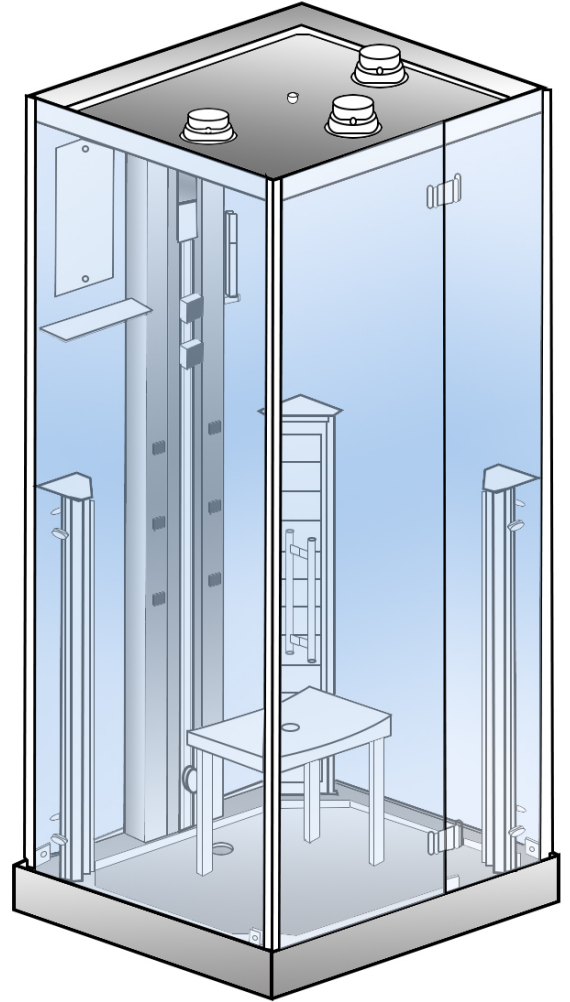
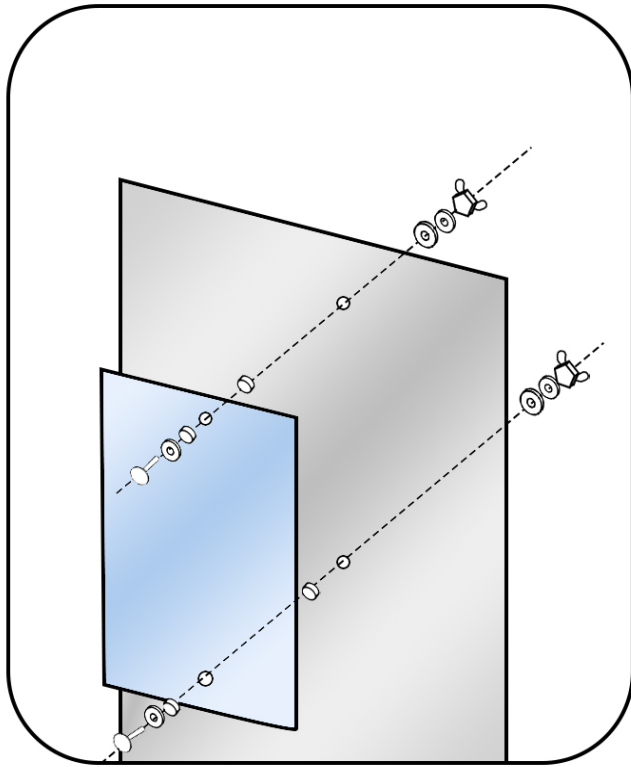
### Note

Using the screws and nuts provided, connect the shelf to the left back wall using the screws and nuts.



# Step 16 :

## Installing the Accessories Continued

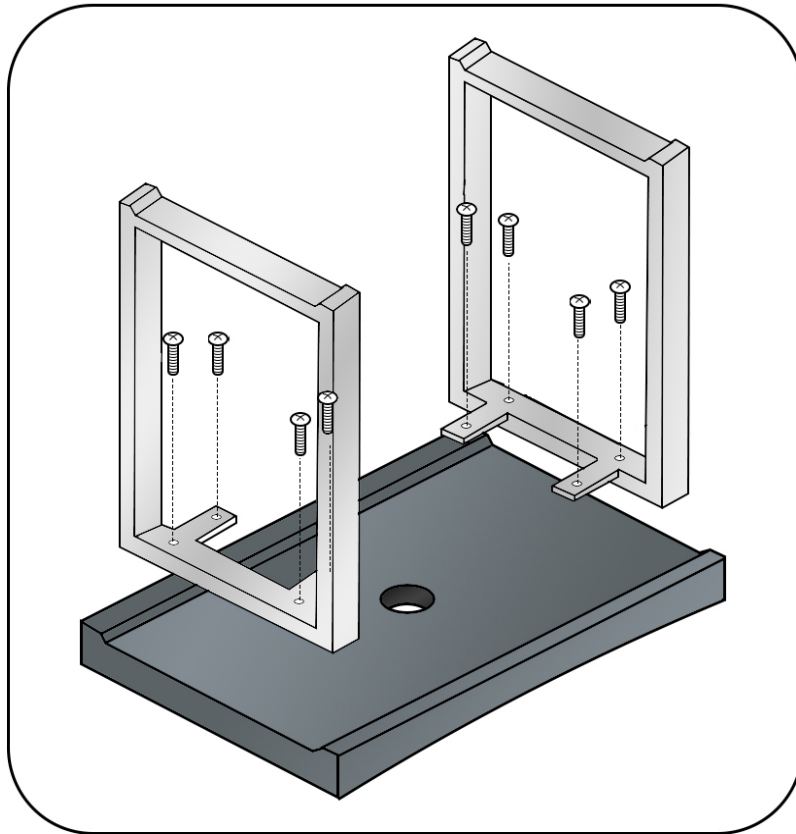


### Note

Again, using the screws and nuts provided, connect the mirror to the left back wall using the screws and nuts.

# Step 17 :

## Assembling the Stool

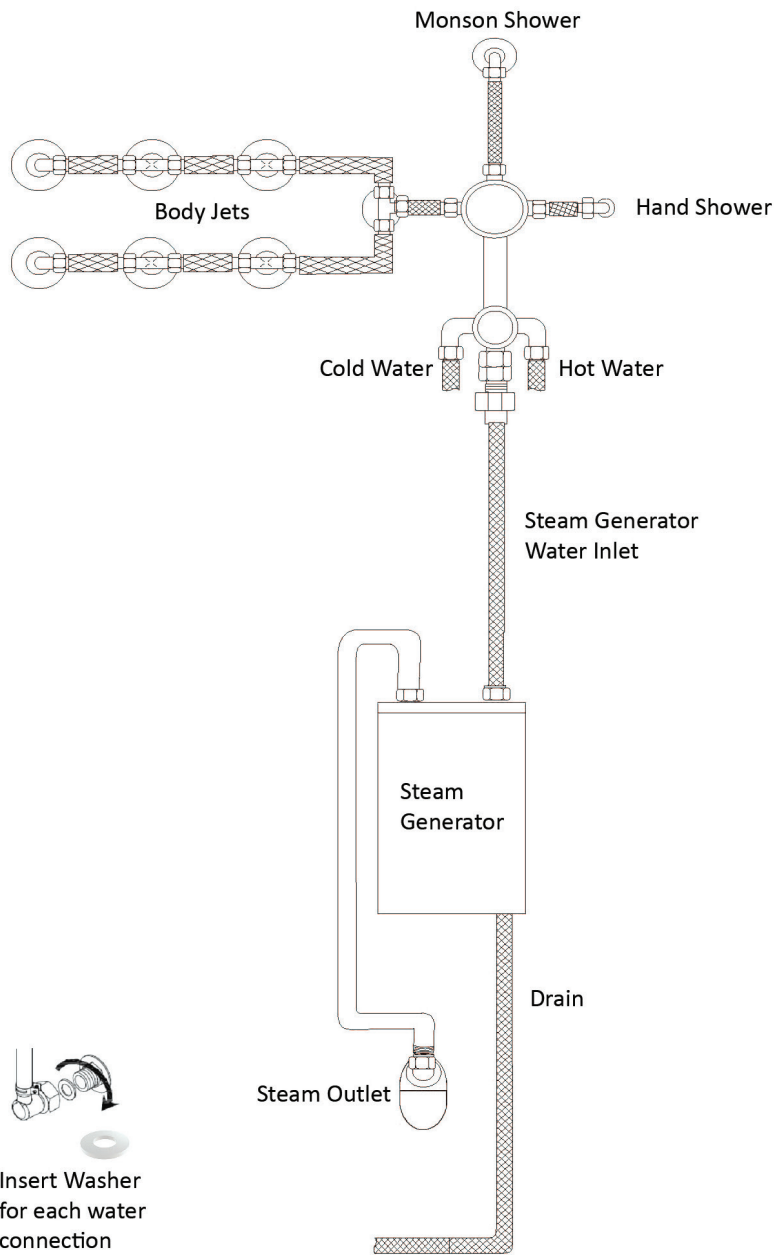


### **Note**

Using the Allen Key provided , screw the legs to the stools and place in the shower.

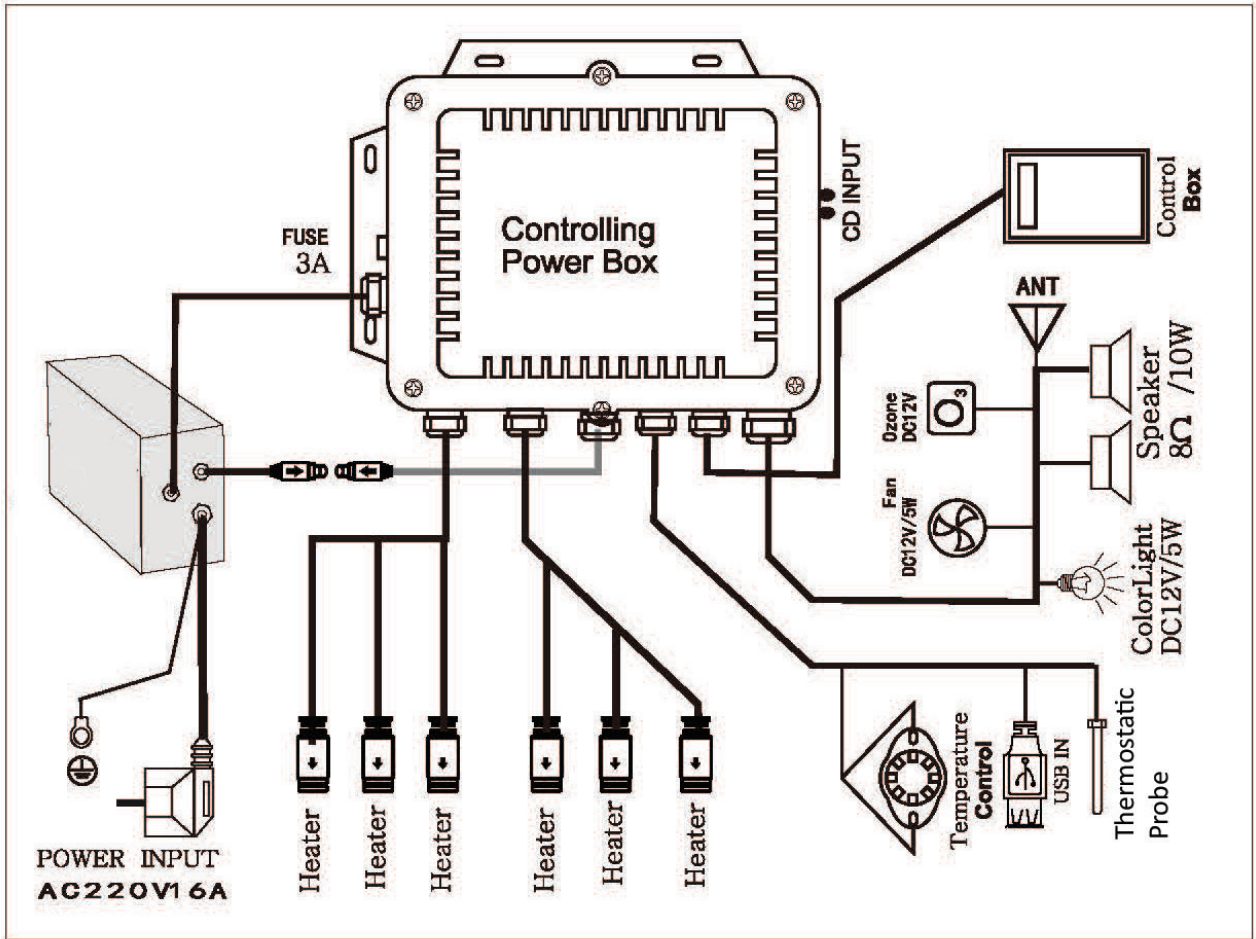
# Step 18 :

## Water Valve Connections



# Step 19:

## Power Connections



Insignia

## Control Panel Instructions

### Button 1 (Steam)

Press to activate the steam function.  
Press again to turn it off.

### Button 2 (Time/Temp)

Press to display temp, then cycle through desired temperature setting (max 60.C) using up and down arrows (buttons 5/11). Press again to display time, then cycle through desired time (max 99 mins) using up and down arrows.

### Button 3 (Lights)

Press to activate the lights. The lights have 4 colour settings - Red, Green, Blue and White. Press the light button to change colour.

### Button 4 (Fan)

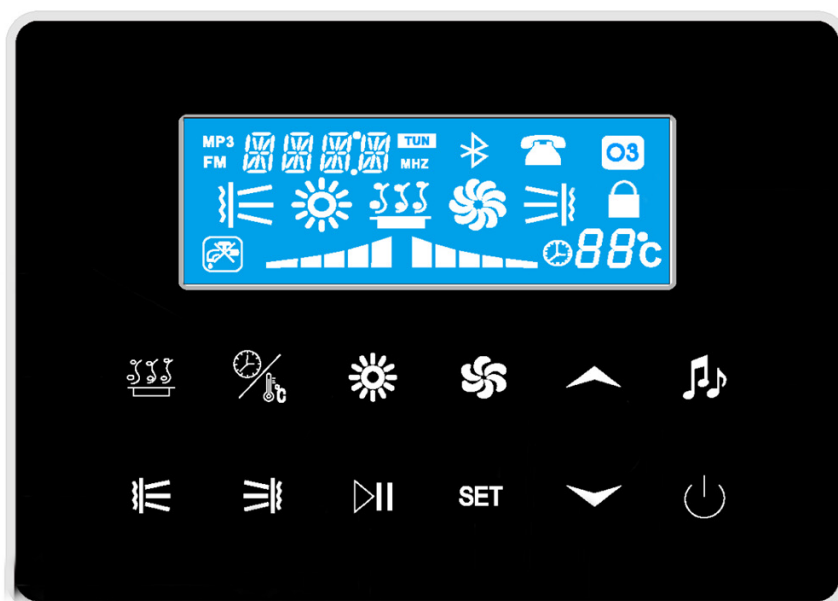
Press to turn the fan on, press again to turn it to uuto and then a third time to to turn it off.

### Button 5/11 (Up and Down Arrows)

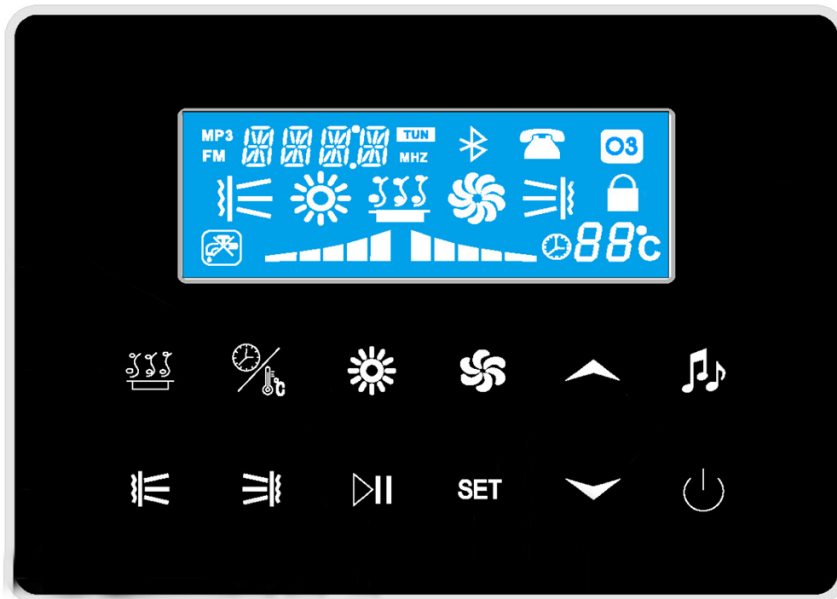
Use to cyle up and dpwn through various setting options. Changes volume when audio is playing.

### Button 6 (Audio Mode)

Press to cycle through the audio options, Radio/MP3/Bluetooth or AUX.  
To connect the Bluetooth, press the audio function (button 10) unit 'BT' is shown on the control panel. Pair the sauna with your device. Once connection has been successful and the Bluetooth icon showing on the panel interface.



## Control Panel Instructions Continued



### Button 7/8 (Heating Panels)

Use this button to start the heaters or the sauna session. One button operates the left heater and one button operates the right heater. Note: The heaters cannot operate at the same time as the steam function.

### Button 9 (Play/Pause)

Use to play/pause the music through various settings. When searching and tuning the radio, use to save a desired frequency to a specific channel.

### Button 10 (SET)

Press and use the arrows (Button 5/11) to manually search. Hold to tune radio stations automatically. When listening to Bluetooth audio, press set in order to allow the arrows to change track instead of volume.

### Button 12 (Power)

Use to power the control panel on or off. Also use to unlock the panel (enters lock mode automatically after 60 seconds of inactivity).



## Steam Room/Sauna Usage & Safety Guide

1. Never leave children unattended in the Sauna/Steam Shower.
2. Regulate the temperature of sauna before session - Pre-heat time 15-30 minutes (from room temperature 20c)
3. Never touch the heater panels whilst in operation, possible burning may occur.
4. Recommended time of use 15-20 minutes per session
5. Stay hydrated during each Steam/Sauna session.
6. Exit the sauna immediately if feeling dizzy, faint or short of breath.
7. Do NOT use the sauna if you're pregnant, have a heart condition, have low or high blood pressure. If you're unsure consult your GP before use.
8. If you have any underlying health conditions which you feel could be aggravated by an increase in temperature, consult your GP before use.
9. If you begin to have any issues with your health after using a sauna, stop immediately and consult your GP regarding your symptoms before continuing to use.
10. Consult your GP before using the steam room if you're on medication at all, especially with drowsy side effects.
11. Never use this sauna if you have been drinking alcohol or under the influence of other substances.
12. Do not put combustible material on the heaters at any time.
13. Always turn power supply off after use.
14. Always turn off water supply after use.

The logo for Insignia is a black circle with a white border. Inside the circle, the word "Insignia" is written in a white, cursive font. The letter "i" in "Insignia" has a red flame-like shape extending from its top, which is the brand's signature element.

*Insignia*

## WEEE Compliance Statement

The UK Waste Electrical and Electronic Equipment (WEEE) regulations came into force on 2 January 2007. Under this new legislation, producers of electrical and electronic equipment (EEE) have to fulfil certain obligations.

Under the WEEE directive Insignia is considered the producer of certain products we supply and in line with the demands of the legislation we are pleased to offer the opportunity to return these products to us for treatment and recycling.

Insignia products will generally have an identifying mark and the common crossed out wheelie bin label. We accept returns of all products carrying the Insignia brand. All other products are either considered outside the scope of WEEE or Insignia is not technically the producer of these products. Insignia also accepts historic like-for-like WEEE returns. All WEEE returned to Insignia will be recycled in appropriate treatment and recycling centres in accordance with the legislation. If you wish to return any products to us, please send your item(s) to our head office.  
Company Contract No. 326457  
**WEEE Producer No. CBDU64227**





#### LABELING

Products labelled with the WEEE symbol (a crossed out “waste bin”) indicate that the final user should not discard this product along with other household waste, but that it must be collected and treated separately.



#### Returns Address for WEEE

Insignia

9a Deans Road, Old Wolverton, Canon Industrial Park,  
Milton Keynes, Buckinghamshire, MK12 5NA, UK



#### EU – Declaration of Performance

Insignia declares that all its products complies with the essential requirements and other relevant provisions of Directive 305/2011/EC. A copy of the Declaration of performance is available from [www.insigniarange.co.uk/ce.aspx](http://www.insigniarange.co.uk/ce.aspx)

Insignia™ is a registered trademark of Maclean International Ltd, 9a Deans Road, Old Wolverton, Canon Industrial Park, Milton Keynes, Buckinghamshire, MK12 5NA, UK

All images are subject to copyright. Images may not be used in any way shape or form with out written permission from Maclean International Ltd. Images are NOT permitted to be saved, printed or uploaded. Violation of copyright laws are punishable by law.

**Call Insignia on 01908 317512 for any advice with installation.**

*InSignia*

Discover **Serenity** Everyday