



User Manual



INDUSTVILLE

Industville Limited are a rapidly expanding company specialising in the manufacture of unique industrial vintage reproduction lighting and furniture.

Industville designs and creates its own range of unique, handcrafted products in addition to working closely with clients to produce bespoke lighting and furniture solutions. These have included a variety of distinguished retail, leisure and hospitality companies such as Jamie Oliver's Restaurants, Waterstones, Costa Coffee, Pizza Express, Ask Italian, Zizzi, Café Nero and Lush in addition to smaller scale interior projects and retail customers.

The strength of our company lies in the fact that, our products are available in large numbers and offer the look and feel of vintage, retro industrial lighting without the cost and time-constraints of searching for originals. Nevertheless, as all our products are hand finished by our skilled craftsmen in our dedicated factory, they retain an authentic and individual quality that holds true to the ethos and feel, unique to vintage industrial lighting and furniture.

Electrical Installation ₅

Maintenance & Cleaning ₅

Changing The Bulb ₇

What You Will Need ₉

Parts ₁₁

Rewiring Holder ₁₂

Installing Brackets ₁₅

IP Ratings ₁₇

This Instruction Booklet is designed to help you through each step of owning your new product, from installation to use.

Please read these instructions carefully before assembly to ensure safe and satisfactory operation of this product. Please retain these instructions for future use. Do not modify or alter any product before or after installation. This may render the product unsafe and void the warranty. Carefully unpack and examine the product for any damage. If you think there is a defect, do not use and contact our customer services on: **+44(0) 20 7971 7871**



Safety Information

- We always recommend installation by a qualified electrician.
- This product is produced in conformity with all relevant safety regulations.
- If in doubt about fitting this product, please always consult a qualified electrician.
- To reduce the risk of fire, electrical shock or personal injury, always turn off and unplug lamp and allow it to cool prior to replacing light bulb.
- Ensure the power is switched off from the mains before cleaning or carrying out any maintenance.
- Check existing wires hanging from junction box for wear or fraying before installing your new light.
- Don't attach your new light fixture wiring to any existing wiring that shows signs of wear and tear, including frays or burn marks as this may be a fire hazard and may also necessitate calling an electrician.
- Unless otherwise stated our products are only suitable for indoor use and must not be installed in areas where they may be subjected to high humidity or water. Please refer to Individual IP rating, further information can be found on the Industville website.
- Maintain a safe distance from lamp holder to surfaces, keeping a minimum 30mm distance from heated light source to shade.



Care Instructions

- Avoid the use of all polishers, cleaners and abrasives, as they will damage the handmade finish of your product.
- To remove dust or fingerprints wipe gently with a soft clean cloth.
- Ensure the power is switched off from the mains and allow to cool before cleaning or carrying out any maintenance on electrical products.
- Glass shades should be only washed in lukewarm water and dried thoroughly before refitting.
- When changing the bulb ensure that the power supply has been disconnected and the bulb has cooled down before replacing.



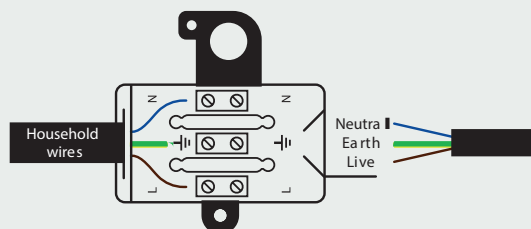
Assembly

Your Industville product may require a small amount of assembly.
Please refer to www.industville.co.uk for individual product assembly instructions.
Industville User Manual available as downloadable PDF.



Electrical Installation

1. Always disconnect power and allow to cool before servicing or cleaning.
2. Ensure the electrical supply is switched off.
3. Ensure that the electrical circuit to which this fitting is to be connected with has been installed and fused in accordance with current IEE wiring regulations, BS7671.
4. Products must also be installed in accordance with UK Building Regulations where applicable.
5. Position the fitting where desired and confirm the method of fixing which will be required: wood screw for wood, or wood screw/wall plug for brick and masonry.
6. Carefully identify the location of the mains supply cable and any other cables in the area in which you intend to fix the lamp in order to avoid damage or injury during installation.
7. Carefully support the holder during the following wiring/connection procedure.
8. Using the connector block supplied, carefully connect your lamp to the housing wiring as detailed in the following diagram:
9. Carefully bind the terminal block and the cable either side with insulation tape (not supplied) ensuring that tape fully covers the cable beyond the point where the outer insulation has been stripped.
10. Install the mounting bracket using mounting screws (screws not provided).
11. Screw the threaded rod from the ceiling rose to the mounting bracket and secure into place.



Maintenance & Cleaning

Caution - Always disconnect power supply when servicing or cleaning.

- Use a clean dry soft cloth.
- Do not use abrasive cloths or polishes as this may cause damage to the product.
- Glass shades should be only washed with in lukewarm water and dried thoroughly before re-fitting.
- Wipe down any excess moisture with a dry cloth frequently to retain the protective lacquer.





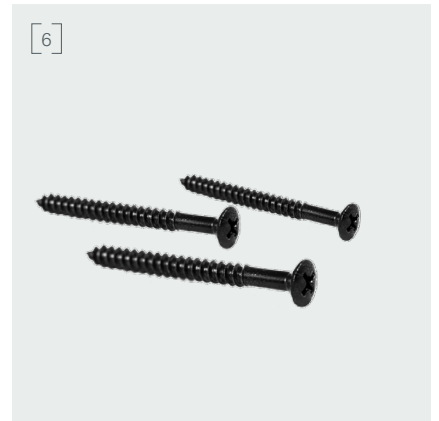
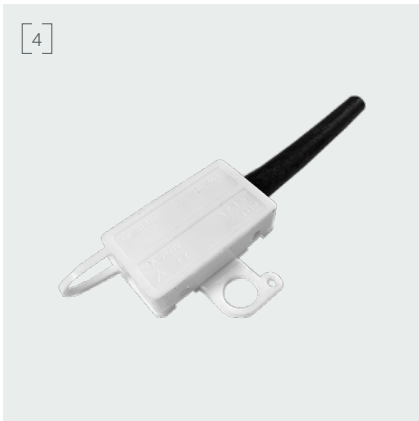
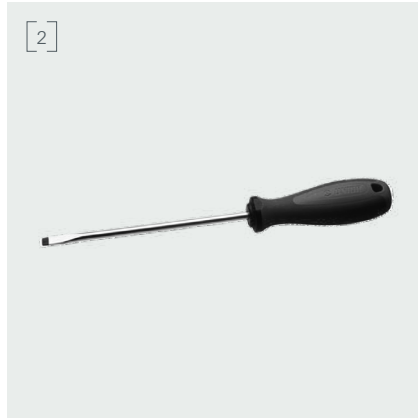
Changing The Bulb

Caution - Always disconnect power supply when servicing or cleaning.

- Turn off the power supply.
- Allow the bulb to cool down before touching it.
- Ensure you can safely reach the bulb by using a stepladder.
- Remove the existing bulb out of the socket, keep twisting anticlockwise until the bulb comes loose from the socket.
- Insert a replacement E27 bulbs lightly but firmly into the socket. Depending on the type, turn it clockwise until it locks into place or keeps twisting clockwise until it won't go any further.
- Once the bulb is in, turn the power back on again and switch on the light.
- Safely dispose of the old bulb, taking extra care as the glass is fragile and sharp.
- Remember to check the wattage on the used bulb and replace it with a bulb of the same wattage.
- Dispose of the bulb out of reach of children.
- Do not put your finger in an exposed Light Socket.
- Check old wires hanging from junction box for wear and tear or fraying before installing your new light. Do not attach your new light fixture wiring to any old wiring that shows signs of wear, including frays or burn marks. This may be a hazard and may also require calling an electrician.



You Will Need



Please find the tools you will need detailed detailed in the table below. If you have any questions regarding this please contact the office on +44(0)20 7971 7871 or email support@industville.co.uk

	TOOLS
1	Wire Cutter / Stripper
2	Flat Head Screw Driver
3	Pliers
4	Choc Block
5	Insulation tape
6	Mounting Screws



JOSEPH
CHEANEY
& SONS

Made in England since 1886

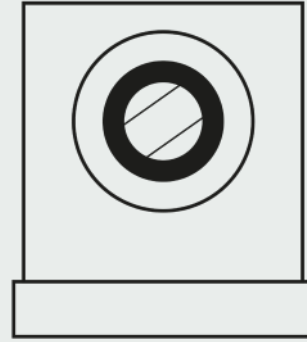


Parts

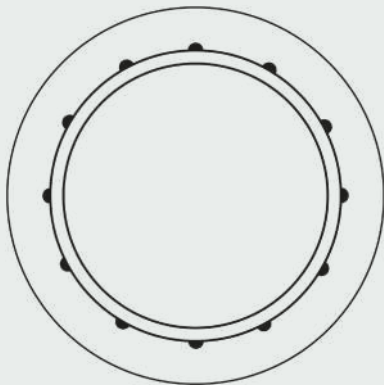
[1]



[2]



[3]



[4]



Listed below are parts that have been referenced throughout this manual. All included with your Industville purchase.
Please note: the design may vary slightly. If any of the above items are missing or damaged please
contact contact the office on +44(0)20 7971 7871 or email support@industville.co.uk

| SHADE MATERIAL | HOLDER OPTIONS

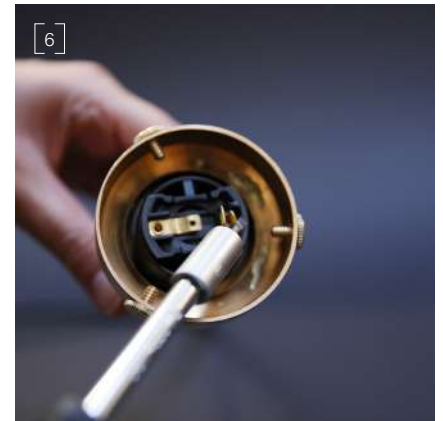
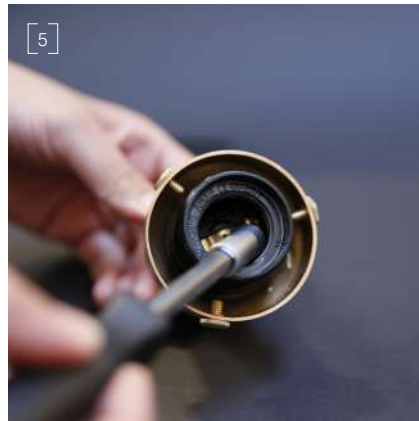
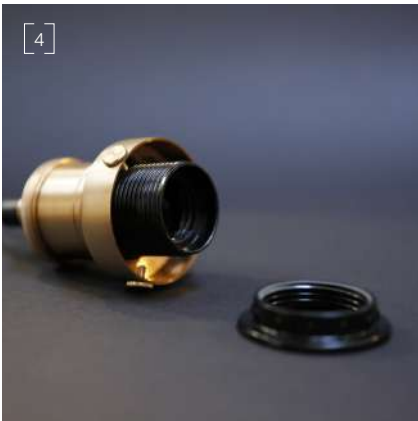
1 | Thread Screw

2 | Cord Grip / Grub Screw

3 | Plastic Ring

4 | Bracket

Rewiring Holder



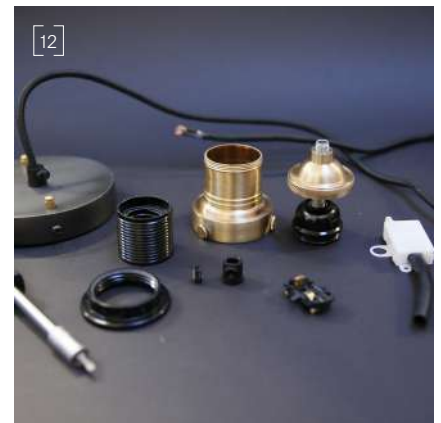
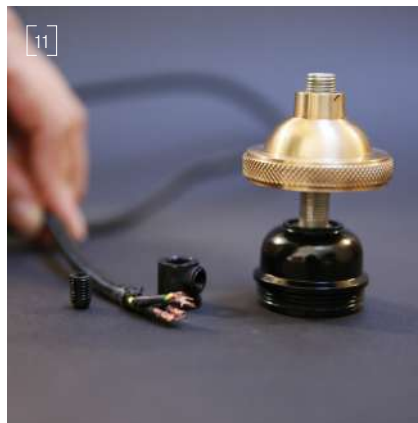
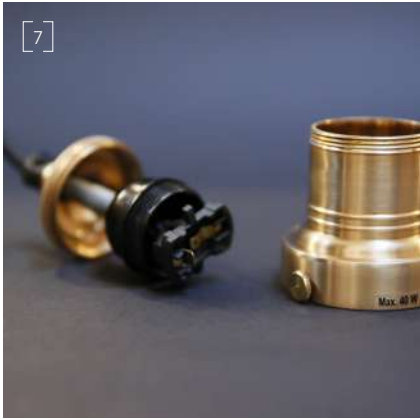
Warning! The following steps can only be carried out by a fully qualified electrician.

Important - Class I product MUST be earthed to be used with 3 core Cable Flex.
Using a flat screwdriver unlock the catch to remove the lamp holder from casing.

INSTRUCTIONS

- 1 | Your light fitting comes fully assembled to rewire please follow the steps below.
- 2 | Unscrew the little black screw on the black grub screw.
- 3/4 | Remove the black screw cap by unscrewing in an anti-clockwise direction.
- 5 | Using a flat screwdriver unlock the catch to remove the lamp holder from casing.
- 6 | This will release the holder in order for it to be removed, like the image shown.

Rewiring Holder



Warning! The following steps can only be carried out by a fully qualified electrician.

If you have any questions regarding this please contact the office on +44(0)20 7971 7871 or email support@industville.co.uk

INSTRUCTIONS

- | | |
|-----|---|
| 7 | Now remove the gold casing by unscrewing in anti-clockwise direction. |
| 8/9 | Disconnect the remaining wires on the respective ends of the phenolic holder, as shown. |
| 10 | Gently pull back the grub screw from the holder. |
| 11 | Gently pull through the discounted wires. |
| 12 | All the components should now be disassembled, cut the flex cable to its desired length, follow the steps in reverse to reassemble and rewire with your new flex cable. |



Installing Brackets



Please follow the steps detailed in the table below. If you have any questions regarding this please contact the office on +44(0)20 7971 7871 or email support@industville.co.uk

STEPS

- 1 | Remove side screws from the ceiling bracket using a cross Phillip Screw driver.
- 2 | Attach the mounting bracket to the ceiling with mounting screws. (Not provided).
- 3 | Make the connections as per the wirings instructions.
- 4 | After tucking back, the wiring in the ceiling, Attach the ceiling canopy to mounting bracket with the help of mounting screws.





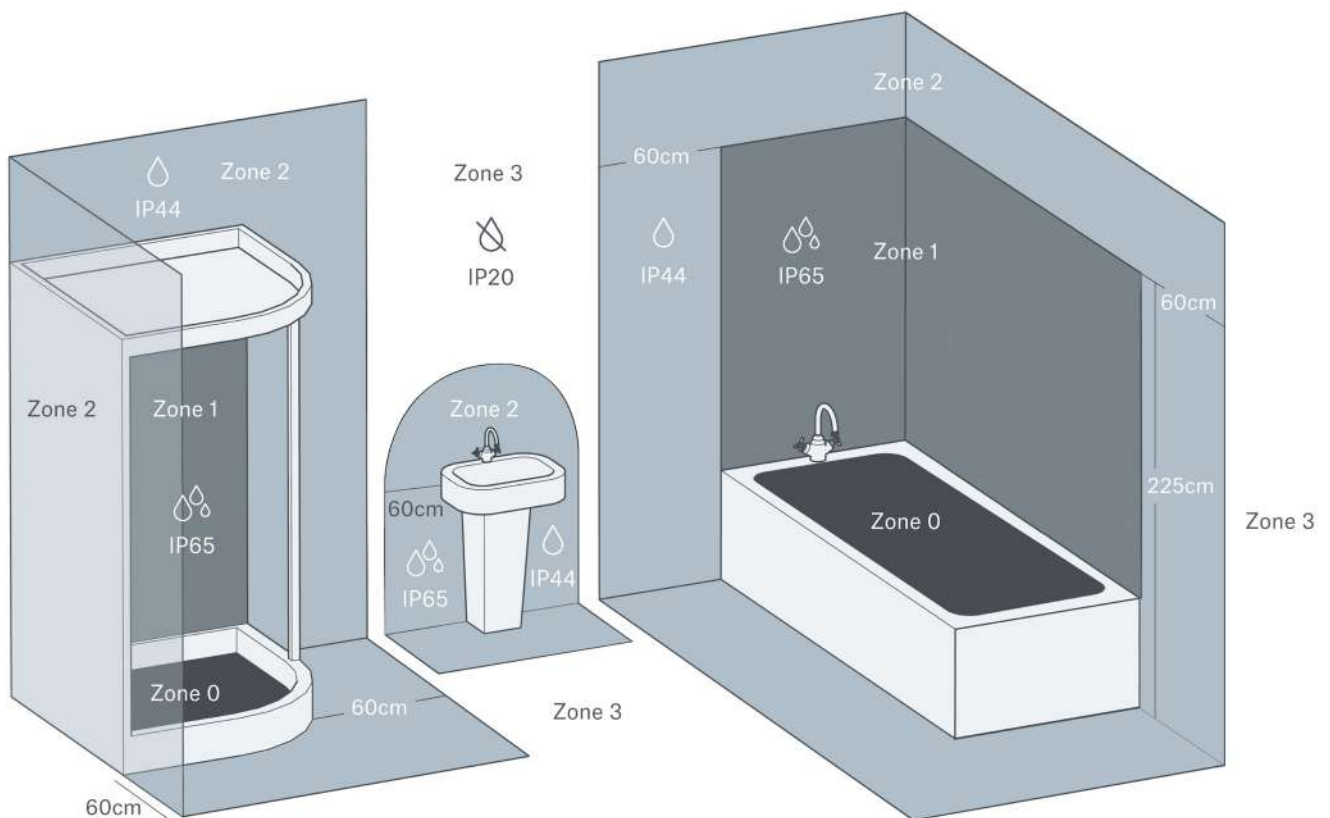
IP Ratings

All lights and fittings are measured on this feature known as an IP rating. Our wide range of lighting have different rating levels, dependant on how effective they are protected against exterior elements such as liquids or solid materials, this will dictate where your lights can be installed and how much moisture or external force it can safely encounter.

IP65 / Zone 1 – suitable for indoor, bathroom and outdoor installation - IP rated as "dust tight" and protected against water projected from a nozzle. Limited Ingress permitted.

IP44 / Zone 2 – suitable for indoor, and in zone 2 bathroom installations - IP rated as protected against solid objects over 1mm (tools, wires, and small wires) and protected against water sprayed from all directions. Limited Ingress permitted.

IP20 / Zone 3 – suitable for indoor and outside zone 2 bathroom installation - IP rated as protected against solid objects over 12mm, e.g. fingers but zero protection against liquids. No water Ingress permitted.



Pendants

Our range of pendant light fittings have been designed to emphasis the sharp lines, exposed hardware and raw sophistication indicative of the industrial style. Nevertheless, Industville endeavour to offer a variety of options to ensure the flexibility of the look to its clients

own individual projects. This can be utilised through our bespoke painting service alongside a variety of different finishes, holders, high quality fabric flex and light-bulbs to enable our customers to create a unique and personal light fitting to suit any space.

Brooklyn ²⁰

Brooklyn Outdoor &

Bathroom ⁶⁰

Orlando ⁷⁴

Handcrafted ⁷⁸

Retro ⁸⁴

Bulkhead ⁹²

Old Factory ¹⁰⁰

Sleek ¹¹²

Specifications

- We meet all UK and EU lighting and safety regulations.
- Edison screw E27 lamp-holders are fitted as standard.
- All pendants are supplied complete with fitting – this includes bulb holder, ceiling rose and 1m/39” of high quality black fabric flex (shade only option is available).
- Dimensions include any shades supplied complete with fitting.
- Code explanation to go here about the Holder code option

Please note: all our products are hand finished to ensure an authentic vintage look and therefore they may vary slightly from those shown in the images.

Brooklyn

These ceiling fittings are completely pre-wired and only require a small amount of assembly after connecting to the mains wiring:

- Once the pendant holder is installed, unscrew the black ring.

- Hold the shade in place.

- Once in place, begin to screw the black ring.

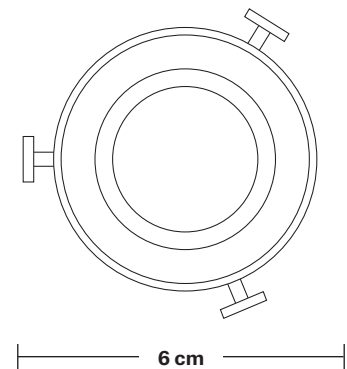
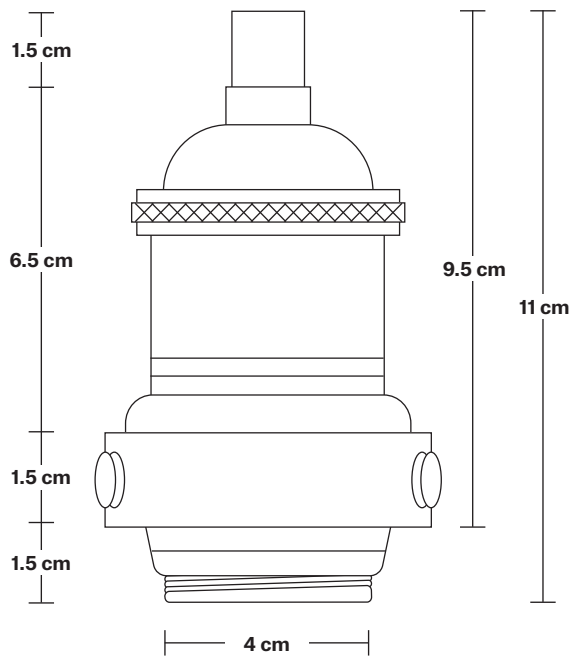
- Once secure, it will hold the shade to the holder, your Brooklyn Pendant is now installed.

Bulb Holder	22
Cordset Holder	23
Chain Holder	24
Dome	25
Cone	30
Flat	32
Umbrella	34
Step	35
Giant Step	37
Giant Hat	38
Giant Bell	39
Giant Bowl	40
Rusty & Wire Cages	41

Brooklyn ES E27 Bulb Holder

Product Code: BR-BH

H: 11 cm x W: 6 cm x D: 6 cm



SPECIFICATIONS

We meet all UK and EU lighting and safety regulations.

Our products are hand finished to ensure an authentic vintage look and therefore they may vary slightly from those shown in the images.

Bulb required: Standard screw (E27) fitting, max 40W.

Weight: 0.25 kg

INFORMATION

Finishes: Brass, Pewter, Copper.

Ready to be installed, installation required.

DIMENSIONS

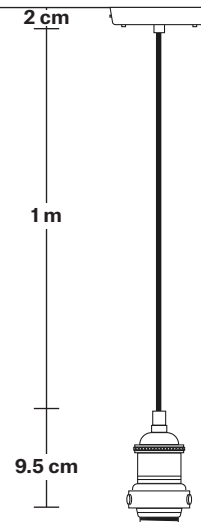
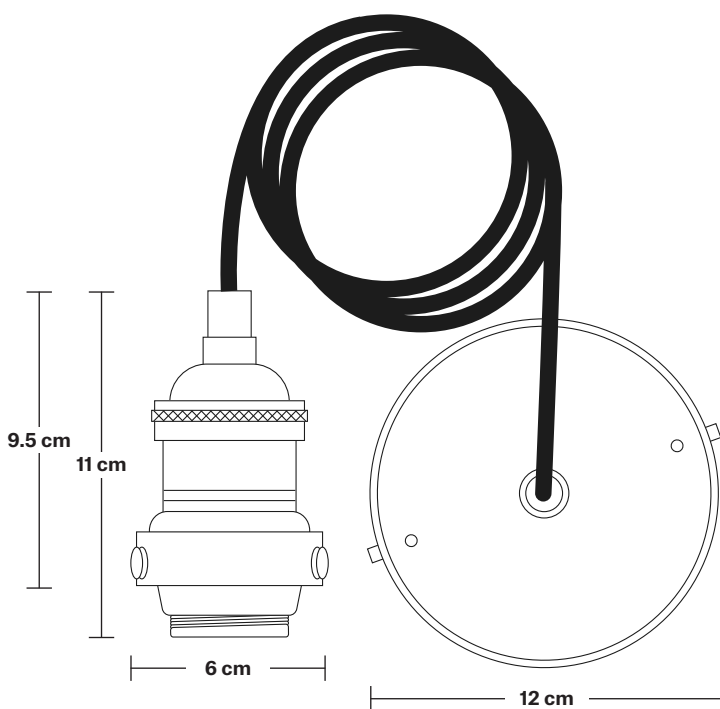
Bulb Holder Height: 11 cm / 4.3"

Bulb Holder Depth: 6 cm / 2.4"

Brooklyn Cord Set ES E27 Bulb Holder

Product Code: BR-CS

H: 113 cm x W: 12 cm x D: 12 cm



SPECIFICATIONS

We meet all UK and EU lighting and safety regulations.

Our products are hand finished to ensure an authentic vintage look and therefore they may vary slightly from those shown in the images.

Bulb required: Standard screw (E27) fitting, max 40W.

Weight: 0.5 kg

INFORMATION

Finishes: Brass, Pewter, Copper.

Ready to be installed, installation required.

Wall mount screws not included.

Flex: 1m Black Round Fabric Flex.

Ceiling rose: Pewter.

DIMENSIONS

Bulb Holder Diameter: 6 cm / 2.5"

Bulb Holder Height: 11 cm / 4.3"

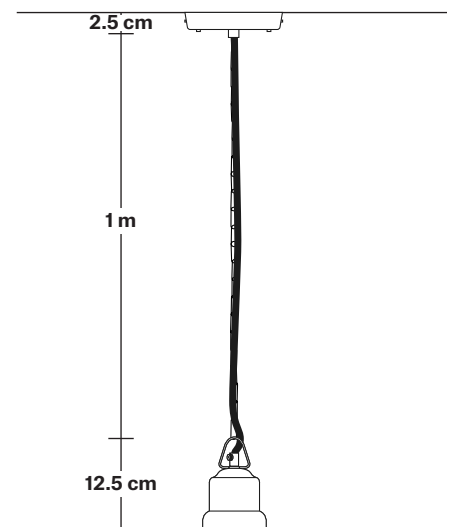
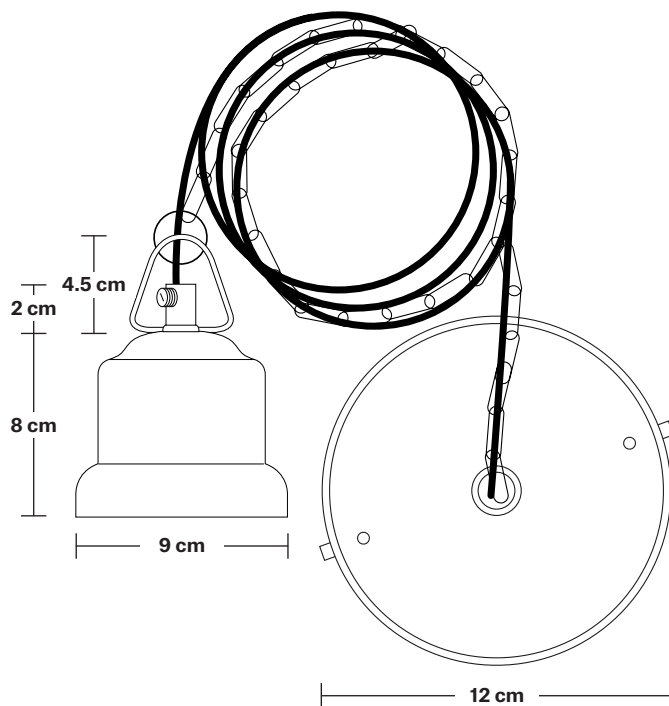
Ceiling Rose height: 12 cm / 4.9"

Full Drop: 113 cm / 44.5"

Brooklyn Chain Cord Set ES E27 Bulb Holder

Product Code: BR-CS-CN

H: 115 cm x W: 12 cm x D: 12 cm



SPECIFICATIONS

We meet all UK and EU lighting and safety regulations.

Our products are hand finished to ensure an authentic vintage look and therefore they may vary slightly from those shown in the images.

Bulb required: Standard screw (E27) fitting, max 40W.

Weight: 0.5 kg

INFORMATION

Finishes: Pewter, Light Pewter.

Ready to be installed, installation required.

Wall mount screws not included.

Flex: 1m Black Round Plastic Flex and 1m Chain.

Ceiling rose: Pewter, Light Pewter.

DIMENSIONS

Bulb Holder Diameter: 9 cm / 3.5"

Bulb Holder Height: 10 cm / 3.9"

Ceiling Rose Diameter: 12 cm / 4.7"

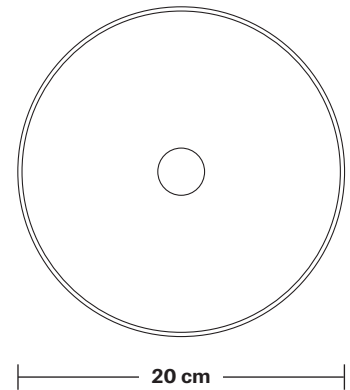
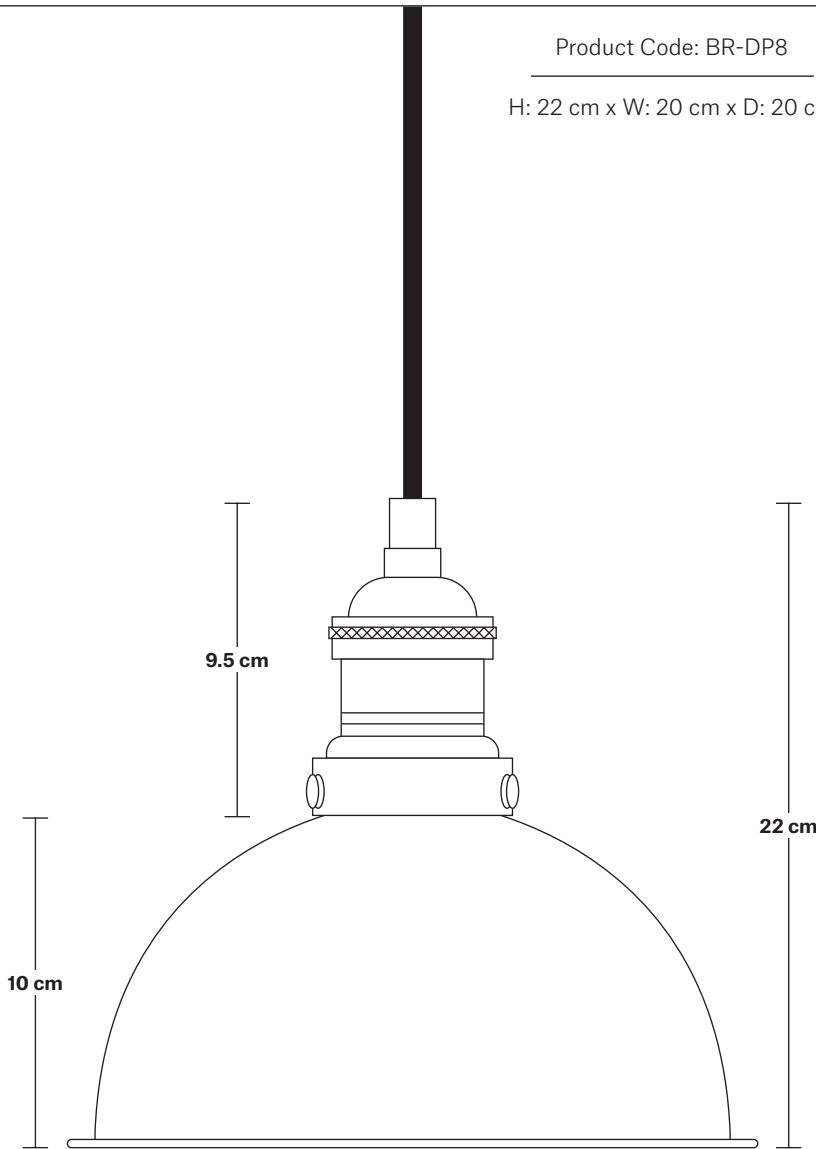
Ceiling Rose Height: 2.5 cm / 1"

Full Drop: 115 cm / 45.3"

Brooklyn Dome Pendant - 8 Inch

Product Code: BR-DP8

H: 22 cm x W: 20 cm x D: 20 cm



SPECIFICATIONS

We meet all UK and EU lighting and safety regulations.

Our products are hand finished to ensure an authentic vintage look and therefore they may vary slightly from those shown in the images.

Bulb required: Standard screw (E27) fitting, max 40W.

Shade weight: 0.4 kg | **Holder weight:** 0.5 kg

Maximum weight: 0.9kg

INFORMATION

Finishes: Brass, Pewter, Copper, Copper & Pewter, Brass & Pewter.

Ready to be installed, installation required.

Wall mount screws not included.

Holders available: Brass, Pewter, Copper.

Flex: 1m Black Round Fabric Flex.

Ceiling rose: Pewter.

DIMENSIONS

Shade Diameter: 20 cm / 8"

Shade Height: 10 cm / 4"

Holder Diameter: 6 cm / 2.5"

Holder Height: 11 cm / 4.3"

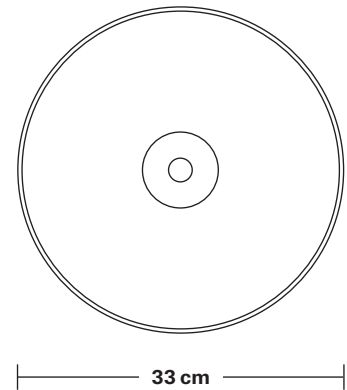
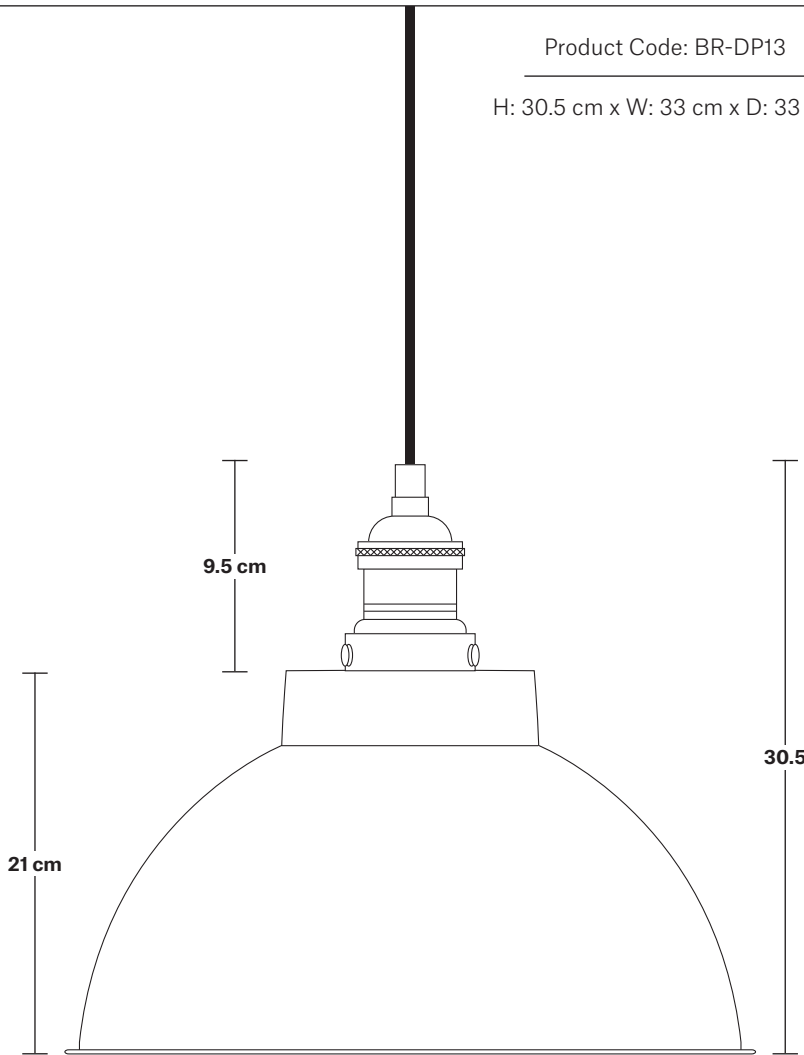
Ceiling Rose Diameter: 12 cm / 4.9"

Ceiling Rose Height: 2 cm / 0.8"

Brooklyn Dome Pendant - 13 Inch

Product Code: BR-DP13

H: 30.5 cm x W: 33 cm x D: 33 cm



SPECIFICATIONS

We meet all UK and EU lighting and safety regulations.

Our products are hand finished to ensure an authentic vintage look and therefore they may vary slightly from those shown in the images.

Bulb required: Standard screw (E27) fitting, max 40W.

Shade weight: 1.1kg | **Holder weight:** 0.5kg

Maximum weight: 1.6kg

INFORMATION

Finishes: Brass, Pewter, Light Pewter, Copper, Copper & Pewter, Brass & Pewter.

Ready to be installed, installation required.

Wall mount screws not included.

Holders available: Brass, Pewter, Copper, Pewter Chain Holder, Light Pewter Chain Holder.

Flex: 1m Black Round Fabric Flex.

Ceiling Rose: Pewter.

DIMENSIONS

Shade Diameter: 33 cm / 13"

Shade Height (no holder): 21 cm / 8.3"

Holder Diameter: 6 cm / 2.5"

Holder Height: 11 cm / 4.3"

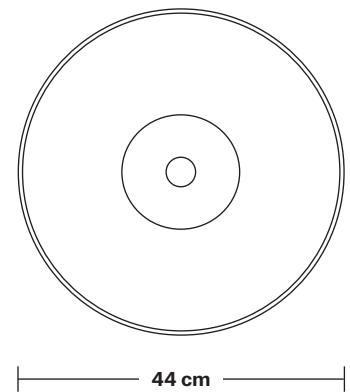
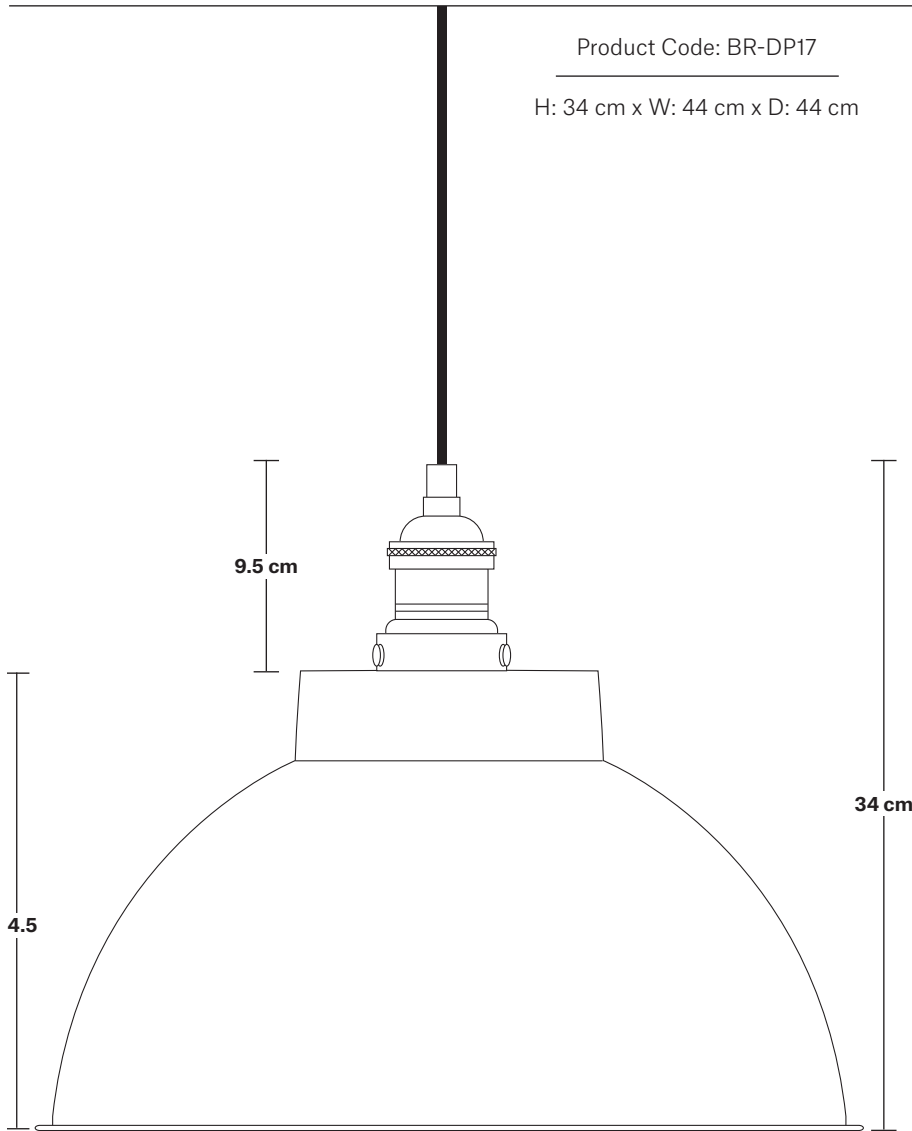
Ceiling Rose Diameter: 12 cm / 4.9"

Ceiling Rose Height: 2 cm / 0.8"

Brooklyn Dome Pendant - 17 Inch

Product Code: BR-DP17

H: 34 cm x W: 44 cm x D: 44 cm



SPECIFICATIONS

We meet all UK and EU lighting and safety regulations.

Our products are hand finished to ensure an authentic vintage look and therefore they may vary slightly from those shown in the images.

Bulb required: Standard screw (E27) fitting, max 40W.

Shade weight: 1.3 kg | **Holder weight:** 0.5 kg

Maximum weight: 1.8 kg

INFORMATION

Finishes: Brass, Pewter, Copper & Pewter, Brass & Pewter.

Ready to be installed, installation required.

Wall mount screws not included.

Holders available: Brass, Pewter, Copper, Pewter Chain Holder.

Flex: 1m Black Round Fabric Flex.

Ceiling Rose: Pewter.

DIMENSIONS

Shade Diameter: 44 cm / 17.3"

Shade Height (no holder): 24.5 cm / 9.6"

Holder Diameter: 6 cm / 2.5"

Holder Height: 11 cm / 4.3"

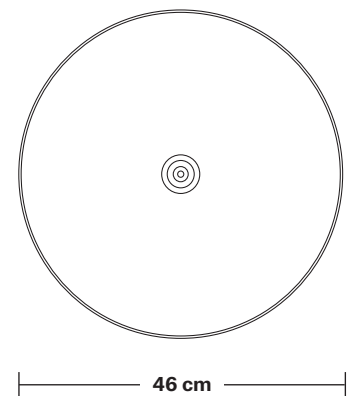
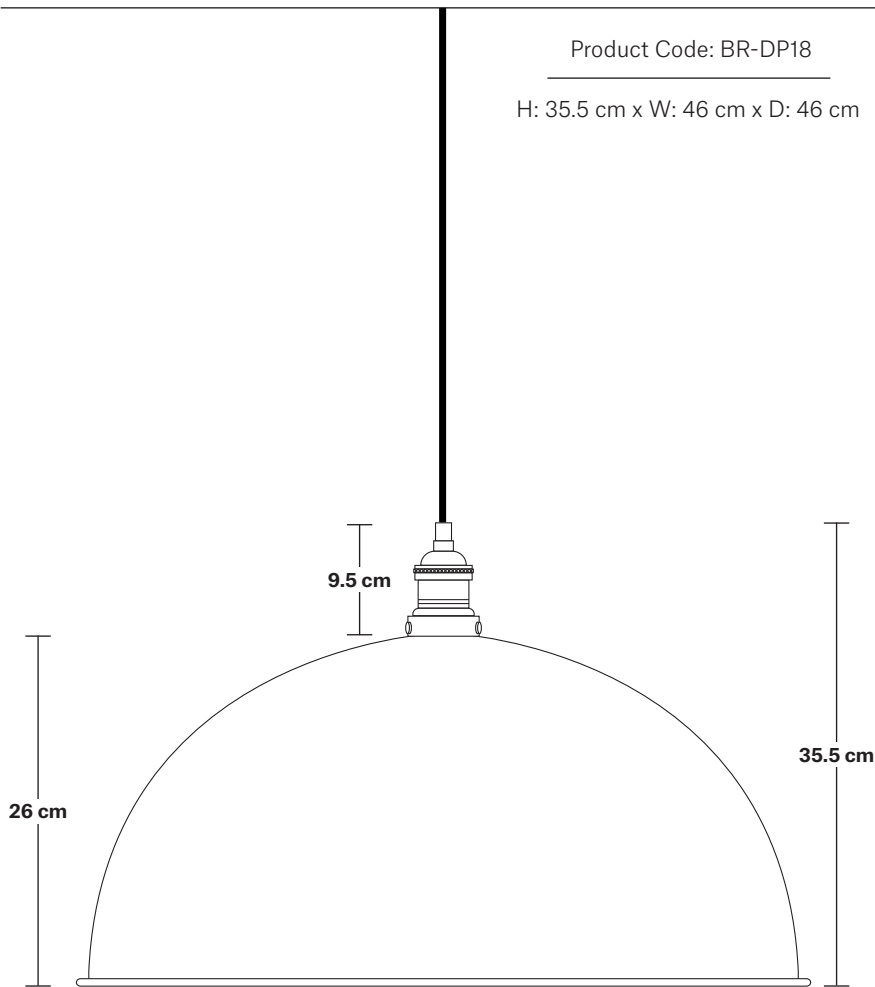
Ceiling Rose Diameter: 12 cm / 4.9"

Ceiling Rose Height: 2 cm / 0.8"

Brooklyn Dome Pendant - 18 Inch

Product Code: BR-DP18

H: 35.5 cm x W: 46 cm x D: 46 cm



SPECIFICATIONS

We meet all UK and EU lighting and safety regulations.

Our products are hand finished to ensure an authentic vintage look and therefore they may vary slightly from those shown in the images.

Bulb required: Standard screw (E27) fitting, max 40W.

Shade weight: 1.4 kg | **Holder weight:** 0.5 kg

Maximum weight: 1.9 kg

INFORMATION

Finishes: Pewter, Pewter & Copper.

Ready to be installed, installation required.

Wall mount screws not included.

Holders available: Brass, Pewter, Copper, Pewter Chain Holder.

Flex: 1m Black Round Fabric Flex.

Ceiling rose: Pewter.

DIMENSIONS

Shade Diameter: 46 cm / 18"

Shade Height (no holder): 26 cm / 10"

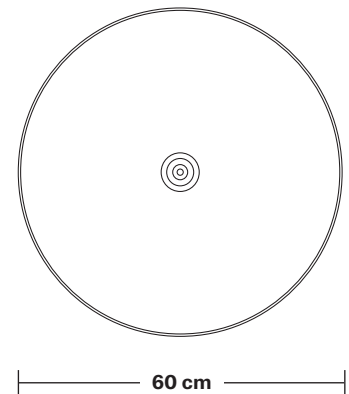
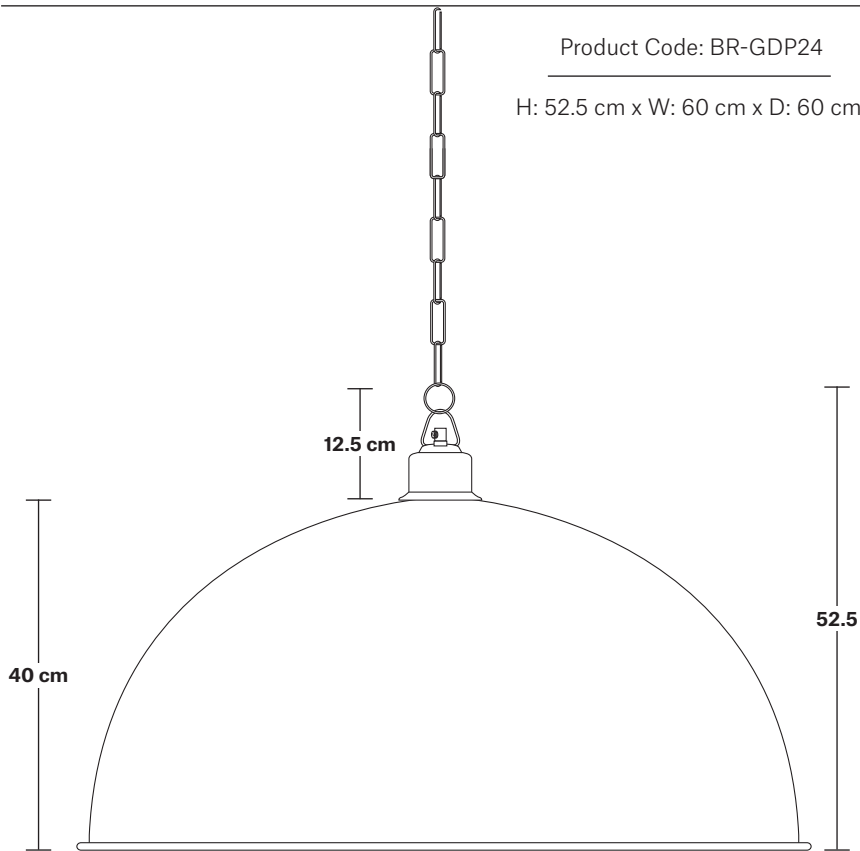
Holder Diameter: 6 cm / 2.5"

Holder Height: 11 cm / 4.3"

Ceiling Rose Diameter: 12 cm / 4.9"

Ceiling Rose Height: 2 cm / 0.8"

Brooklyn Dome Pendant - 24 Inch



SPECIFICATIONS

We meet all UK and EU lighting and safety regulations.

Our products are hand finished to ensure an authentic vintage look and therefore they may vary slightly from those shown in the images.

Bulb required: Standard screw (E27) fitting, max 40W.

Shade weight: 4.8 kg | **Holder weight:** 0.6 kg

Maximum weight: 5.4 kg

INFORMATION

Finishes: Pewter, Pewter & Copper.

Ready to be installed, installation required.

Wall mount screws not included.

Flex: 1m Black Round Plastic Flex and 1m Chain.

Ceiling rose: Pewter.

DIMENSIONS

Shade Diameter: 60 cm / 23.6"

Shade Height (no holder): 40 cm / 15.9"

Holder Diameter: 9 cm / 3.6"

Holder Height: 10 cm / 4"

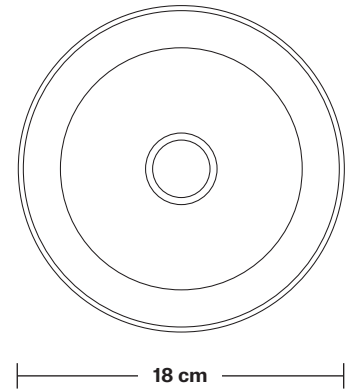
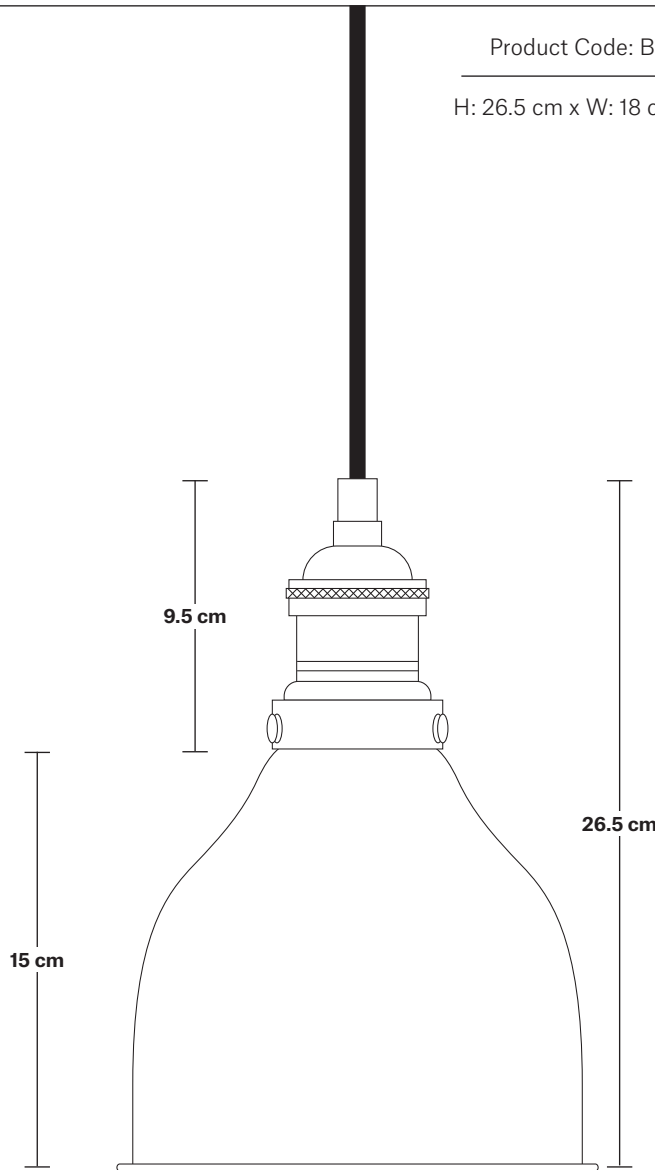
Ceiling Rose Diameter: 12 cm / 4.9"

Ceiling Rose Height: 2.5 cm / 1"

Brooklyn Cone Pendant - 7 Inch

Product Code: BR-CP7

H: 26.5 cm x W: 18 cm x D: 18



SPECIFICATIONS

We meet all UK and EU lighting and safety regulations.

Our products are hand finished to ensure an authentic vintage look and therefore they may vary slightly from those shown in the images.

Bulb required: Standard screw (E27) fitting, max 40W.

Shade weight: 0.35 kg | **Holder weight:** 0.5 kg

Maximum weight: 0.85 kg

INFORMATION

Finishes: Brass, Pewter, Copper.

Ready to be installed, installation required.

Wall mount screws not included.

Holders available: Brass, Pewter, Copper.

Flex: 1m Black Round Fabric Flex.

Ceiling rose: Pewter.

DIMENSIONS

Shade Diameter: 18 cm / 7"

Shade Height (no holder): 15 cm / 6.1"

Holder Diameter: 6 cm / 2.5"

Holder Height: 11 cm / 4.3"

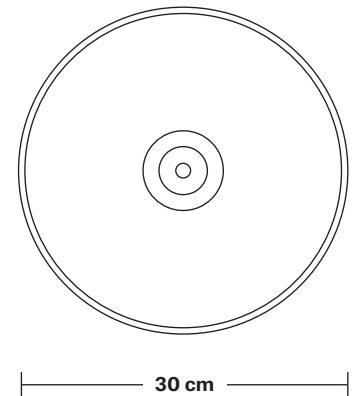
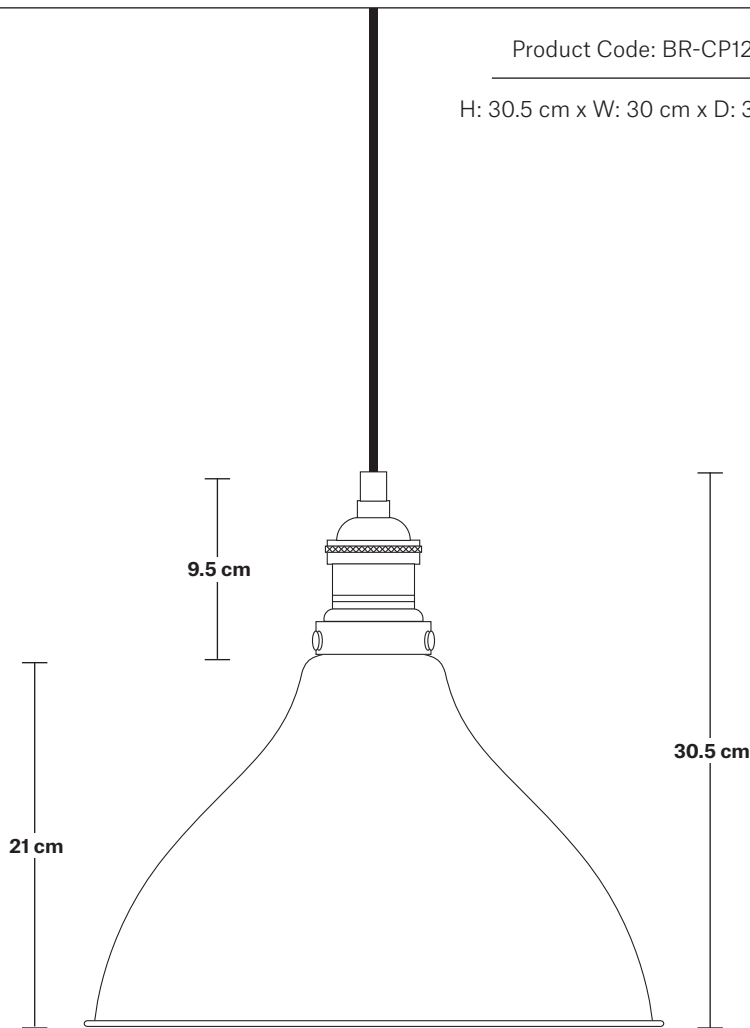
Ceiling Rose Diameter: 12 cm / 4.9"

Ceiling Rose Height: 2 cm / 0.8"

Brooklyn Cone Pendant - 12 Inch

Product Code: BR-CP12

H: 30.5 cm x W: 30 cm x D: 30 cm



SPECIFICATIONS

We meet all UK and EU lighting and safety regulations.

Our products are hand finished to ensure an authentic vintage look and therefore they may vary slightly from those shown in the images.

Bulb required: Standard screw (E27) fitting, max 40W.

Shade weight: 0.85 kg | **Holder weight:** 0.5 kg

Maximum weight: 1.35 kg

INFORMATION

Finishes: Brass, Pewter.

Ready to be installed, installation required.

Wall mount screws not included.

Holders available: Brass, Pewter, Pewter Chain Holder.

Flex: 1m Black Round Fabric Flex.

Chain flex: 1m Black Round plastic and 1m Chain.

Ceiling rose: Pewter.

DIMENSIONS

Shade Diameter: 30 cm / 12"

Shade Height (no holder): 21 cm / 8.3"

Holder Diameter: 6 cm / 2.5"

Holder Height: 11 cm / 4.3"

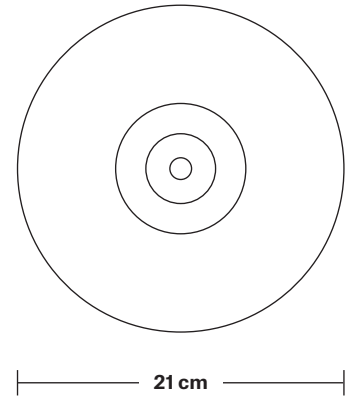
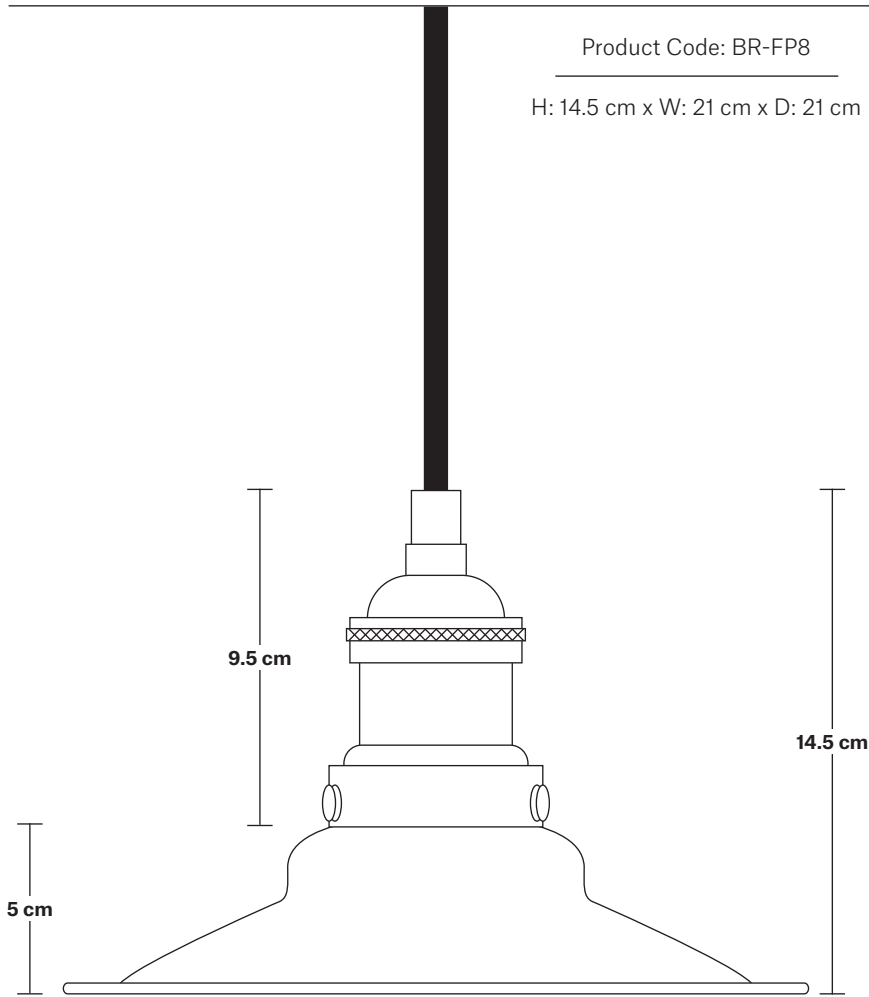
Ceiling Rose Diameter: 12 cm / 4.9"

Ceiling Rose Height: 2 cm / 0.8"

Brooklyn Flat Pendant - 8 Inch

Product Code: BR-FP8

H: 14.5 cm x W: 21 cm x D: 21 cm



SPECIFICATIONS

We meet all UK and EU lighting and safety regulations.

Our products are hand finished to ensure an authentic vintage look and therefore they may vary slightly from those shown in the images.

Bulb required: Standard screw (E27) fitting, max 40W.

Shade weight: 0.3 kg | **Holder weight:** 0.5 kg

Maximum weight: 0.8 kg

INFORMATION

Finishes: Brass, Pewter, Copper.

Ready to be installed, installation required.

Wall mount screws not included.

Holders available: Brass, Pewter, Copper.

Flex: 1m Black Round Fabric Flex.

Ceiling rose: Pewter.

DIMENSIONS

Shade Diameter: 21 cm / 8.2"

Shade Height (no holder): 5 cm / 2"

Holder Diameter: 6 cm / 2.5"

Holder Height: 11 cm / 4.3"

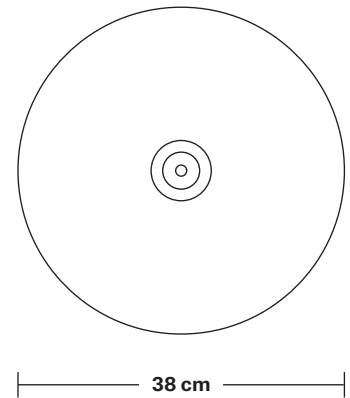
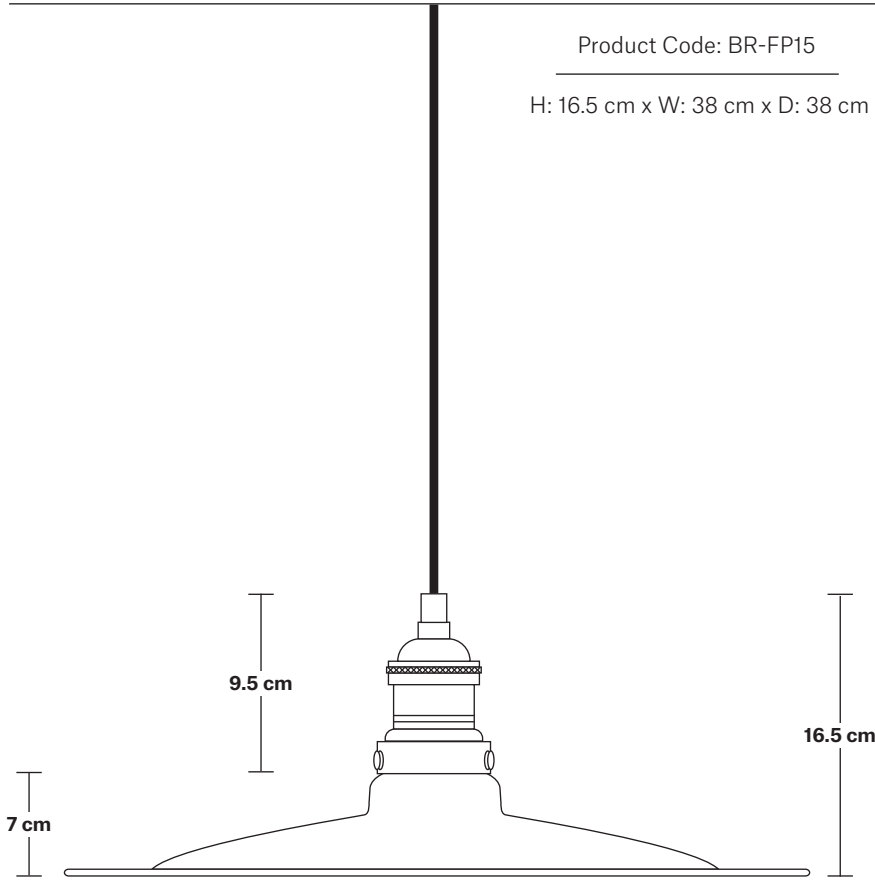
Ceiling Rose Diameter: 12 cm / 4.9"

Ceiling Rose Height: 2 cm / 0.8"

Brooklyn Flat Pendant- 15 Inch

Product Code: BR-FP15

H: 16.5 cm x W: 38 cm x D: 38 cm



SPECIFICATIONS

We meet all UK and EU lighting and safety regulations.

Our products are hand finished to ensure an authentic vintage look and therefore they may vary slightly from those shown in the images.

Bulb required: Standard screw (E27) fitting, max 40W.

Shade weight: 0.9 kg | **Holder weight:** 0.5 kg

Maximum weight: 1.4 kg

INFORMATION

Finishes: Brass, Pewter, Copper.

Ready to be installed, installation required.

Wall mount screws not included.

Holders available: Brass, Pewter, Copper and Pewter Chain Holder.

Flex: 1m Black Round Fabric Flex.

Chain flex: 1m Black Round plastic and 1m Chain.

Ceiling rose: Pewter.

DIMENSIONS

Shade Diameter: 38 cm / 15"

Shade Height (no holder): 7 cm / 2.8"

Holder Diameter: 6 cm / 2.5"

Holder Height: 11 cm / 4.3"

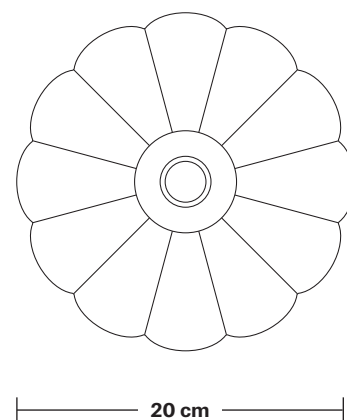
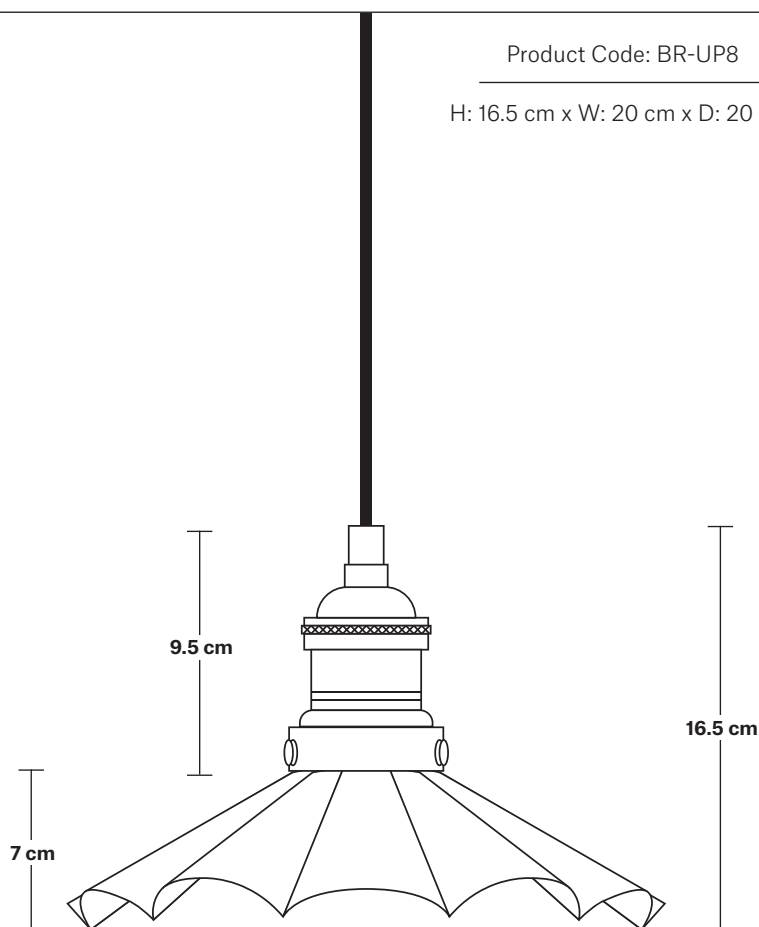
Ceiling Rose Diameter: 12 cm / 4.9"

Ceiling Rose Height: 2 cm / 0.8"

Brooklyn Umbrella Pendant - 8 Inch

Product Code: BR-UP8

H: 16.5 cm x W: 20 cm x D: 20 cm



SPECIFICATIONS

We meet all UK and EU lighting and safety regulations.

Our products are hand finished to ensure an authentic vintage look and therefore they may vary slightly from those shown in the images.

Bulb required: Standard screw (E27) fitting, max 40W.

Shade weight: 0.2 kg | **Holder weight:** 0.5 kg

Maximum weight: 0.7 kg

INFORMATION

Finishes: Brass, Pewter, Copper.

Ready to be installed, installation required.

Wall mount screws not included.

Holders available: Brass, Pewter, Copper.

Flex: 1m Black Round Fabric Flex.

Ceiling rose: Brass, Pewter, Copper.

DIMENSIONS

Shade Diameter: 20 cm / 8"

Shade Height: (no holder): 7 cm / 2.6"

Holder Diameter: 6 cm / 2.5"

Holder Height: 11 cm / 4.3"

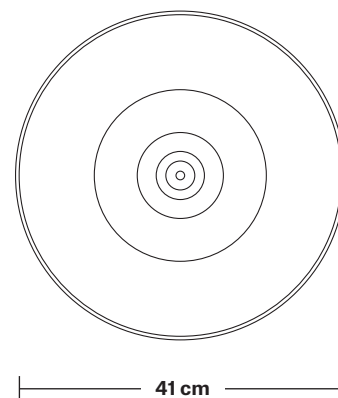
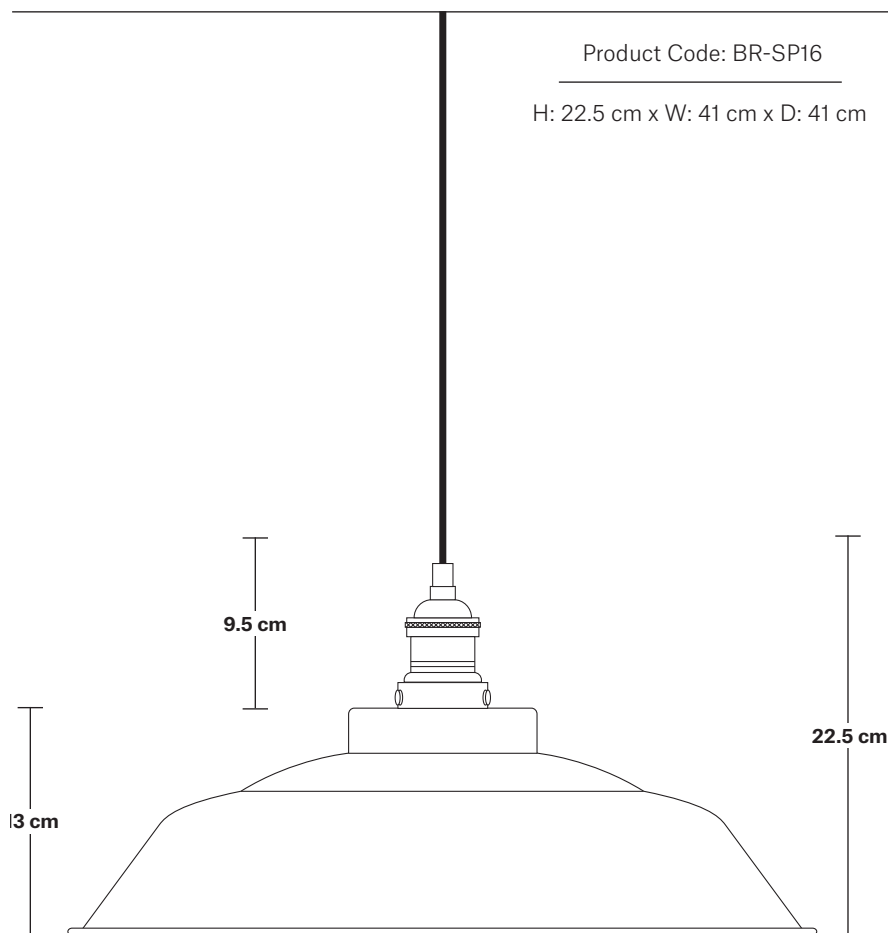
Ceiling Rose Diameter: 12 cm / 4.9"

Ceiling Rose Height: 2 cm / 0.8"

Brooklyn Step Pendant - 16 Inch

Product Code: BR-SP16

H: 22.5 cm x W: 41 cm x D: 41 cm



SPECIFICATIONS

We meet all UK and EU lighting and safety regulations.

Our products are hand finished to ensure an authentic vintage look and therefore they may vary slightly from those shown in the images.

Bulb required: Standard screw (E27) fitting, max 40W.

Shade weight: 1.2 kg | **Holder weight:** 0.5 kg

Maximum weight: 1.7 kg

INFORMATION

Finishes: Brass, Pewter, Light Pewter.

Ready to be installed, installation required.

Wall mount screws not included.

Holders available: Brass, Pewter, Copper, Pewter Chain Holder, Light Pewter Chain Holder.

Flex: 1m Black Round Fabric Flex.

Chain flex: 1m Black Round plastic and 1m Chain.

Ceiling rose: Pewter.

DIMENSIONS

Shade Diameter: 41 cm / 16"

Shade Height (no holder): 13 cm / 5.1"

Holder Diameter: 6 cm / 2.5"

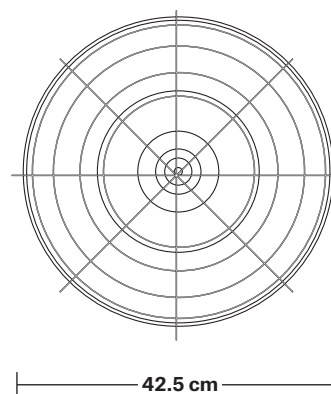
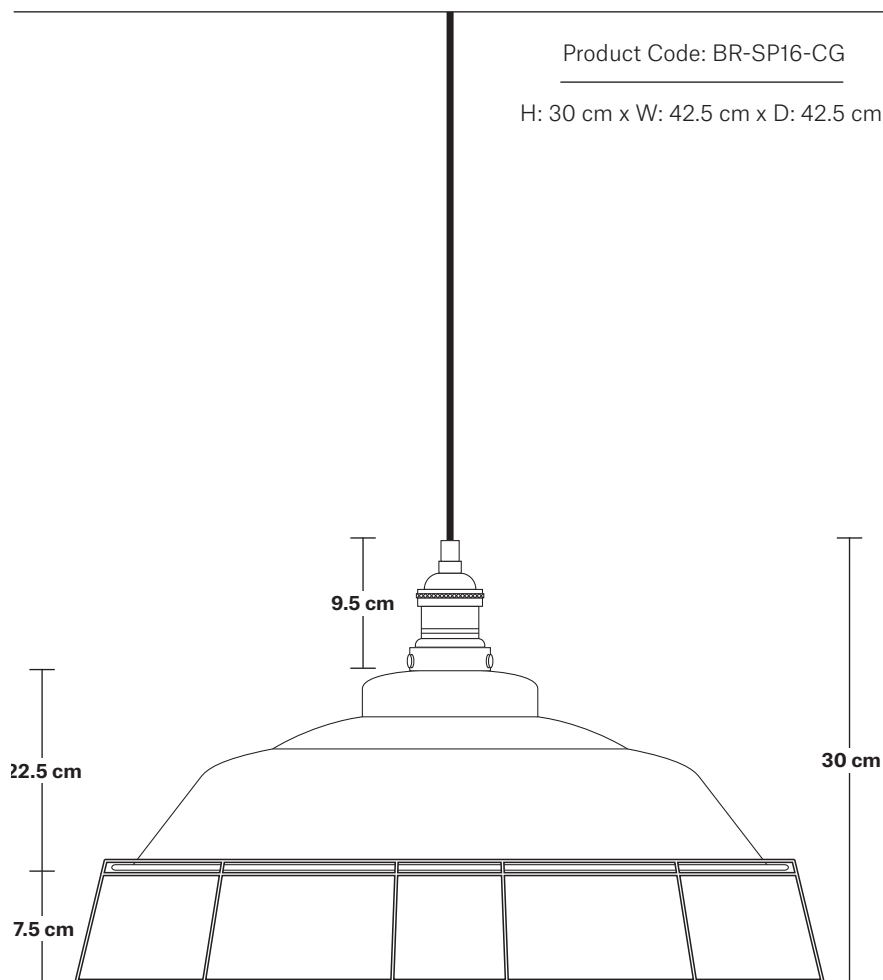
Holder Height: 11 cm / 4.3"

Ceiling Rose Diameter: 12 cm / 4.9"

Ceiling Rose Height: 2 cm / 0.8"

Brooklyn Step Pendant - 16 Inch - With Cage

Product Code: BR-SP16-CG
 H: 30 cm x W: 42.5 cm x D: 42.5 cm



SPECIFICATIONS

We meet all UK and EU lighting and safety regulations.

Our products are hand finished to ensure an authentic vintage look and therefore they may vary slightly from those shown in the images.

Bulb required: Standard screw (E27) fitting, max 40W.

Shade weight: 1.2 kg | **Holder weight:** 0.5 kg

Cage weight: 0.4 kg | **Max weight:** 2.1 kg

INFORMATION

Finishes: Brass, Pewter, Light Pewter.

Ready to be installed, installation required.

Wall mount screws not included.

Holders available: Brass, Pewter, Copper, Pewter Chain Holder, Light Pewter Chain Holder.

Flex: 1m Black Round Fabric Flex.

Chain flex: 1m Black Round plastic and 1m Chain.

Ceiling rose: Pewter.

DIMENSIONS

Shade Diameter: 41 cm / 16"

Shade height (no holder): 13 cm / 5.1"

Holder Diameter: 6 cm / 2.5"

Holder Height: 11 cm / 4.3"

Ceiling Rose Diameter: 12 cm / 4.9"

Ceiling Rose Height: 2 cm / 0.8"

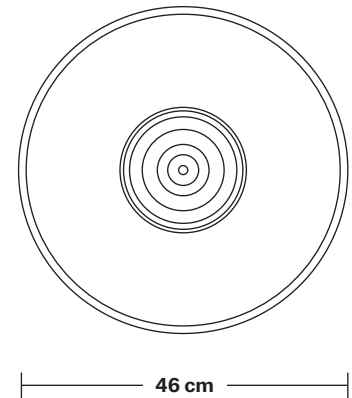
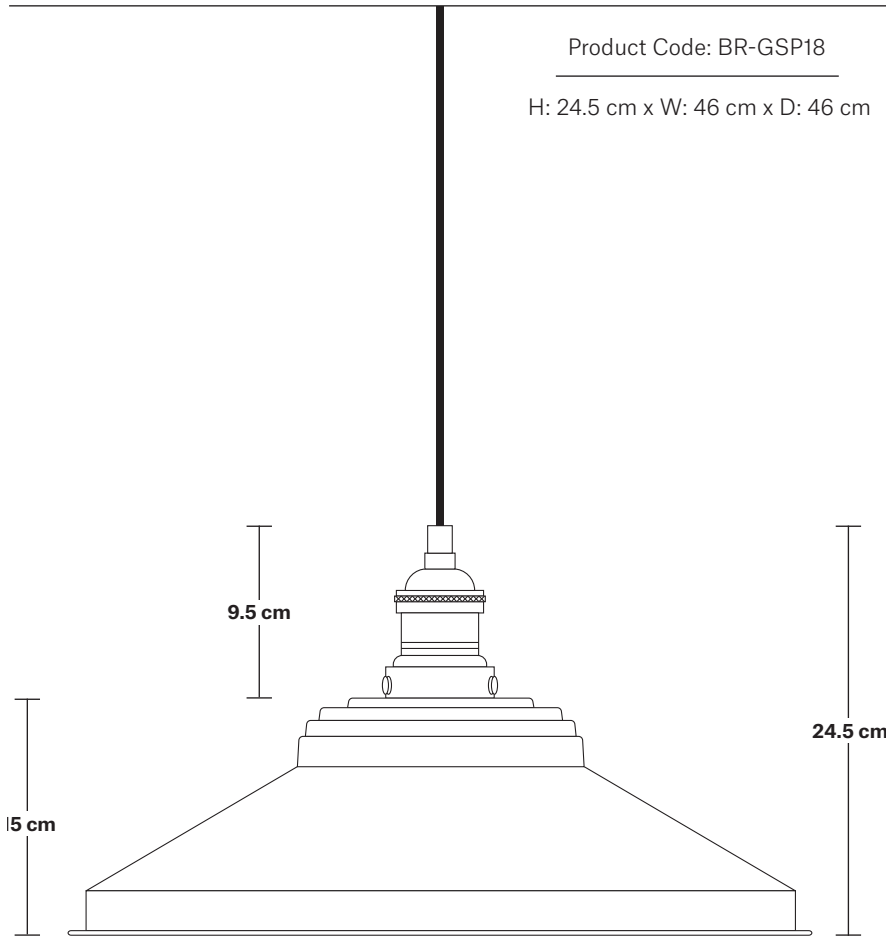
Cage Diameter: 42.5 cm / 16.8"

Cage Height: 7.5 cm / 3"

Brooklyn Giant Step Pendant - 18 Inch

Product Code: BR-GSP18

H: 24.5 cm x W: 46 cm x D: 46 cm



SPECIFICATIONS

We meet all UK and EU lighting and safety regulations.

Our products are hand finished to ensure an authentic vintage look and therefore they may vary slightly from those shown in the images.

Bulb required: Standard screw (E27) fitting, max 40W.

Shade weight: 1.4 kg | **Holder weight:** 0.5 kg

Maximum weight: 1.9 kg

INFORMATION

Finishes: Brass, Pewter.

Ready to be installed, installation required.

Wall mount screws not included.

Holders available: Brass, Pewter, Copper, Pewter Chain Holder.

Flex: 1m Black Round Fabric Flex.

Chain flex: 1m Black Round plastic and 1m Chain.

Ceiling rose: Pewter.

DIMENSIONS

Shade Diameter: 46 cm / 18"

Shade Height (no holder): 15 cm / 6"

Holder Diameter: 6 cm / 2.5"

Holder Height: 11 cm / 4.3"

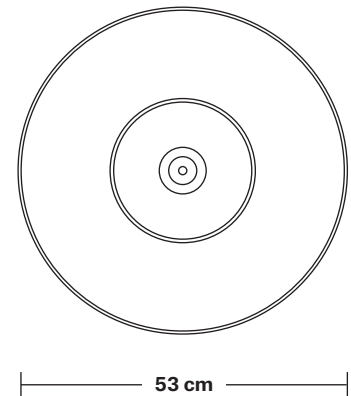
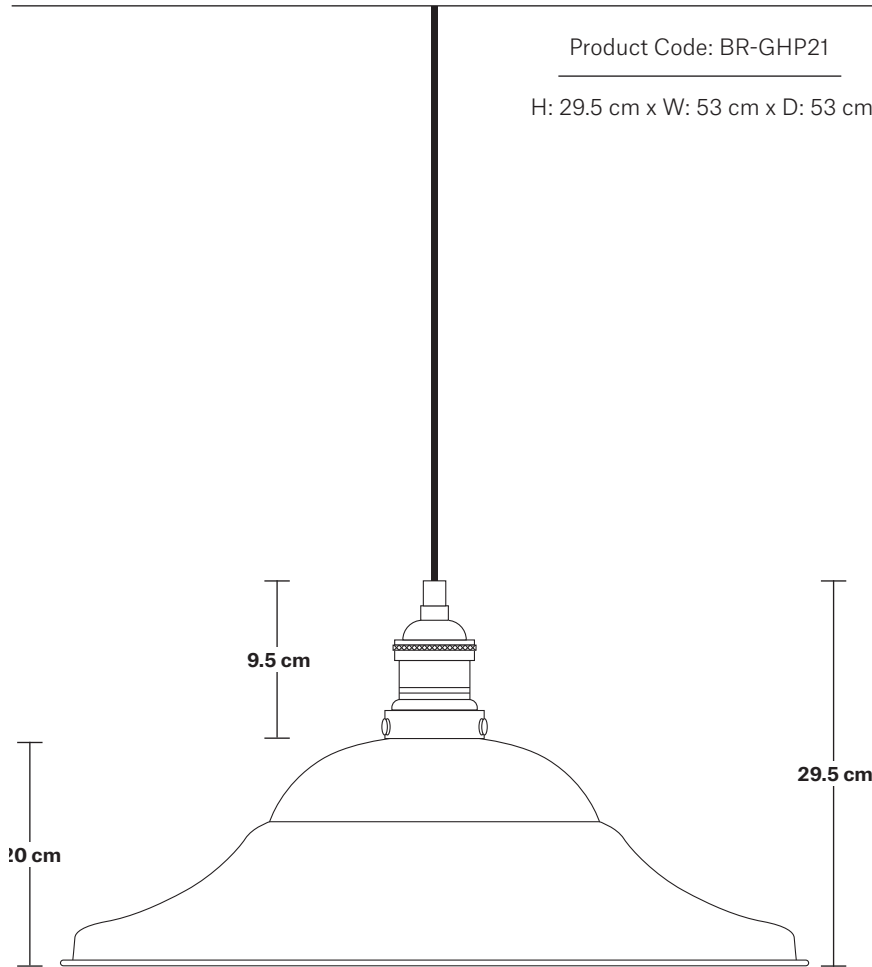
Ceiling Rose Diameter: 12 cm / 4.9"

Ceiling Rose Height: 2 cm / 0.8"

Brooklyn Giant Hat Pendant - 21 Inch

Product Code: BR-GHP21

H: 29.5 cm x W: 53 cm x D: 53 cm



SPECIFICATIONS

We meet all UK and EU lighting and safety regulations.

Our products are hand finished to ensure an authentic vintage look and therefore they may vary slightly from those shown in the images.

Bulb required: Standard screw (E27) fitting, max 40W.

Shade weight: 1.8 kg | **Holder weight:** 0.5 kg

Maximum weight: 2.3 kg

INFORMATION

Finishes: Brass, Pewter.

Ready to be installed, installation required.

Wall mount screws not included.

Holders available: Brass, Pewter, Copper, Pewter Chain Holder.

Flex: 1m Black Round Fabric Flex.

Chain flex: 1m Black Round plastic and 1m Chain.

Ceiling rose: Pewter.

DIMENSIONS

Shade Diameter: 53 cm / 21"

Shade Height (no holder): 20 cm / 7.9"

Holder Diameter: 6 cm / 2.5"

Holder Height: 11 cm / 4.3"

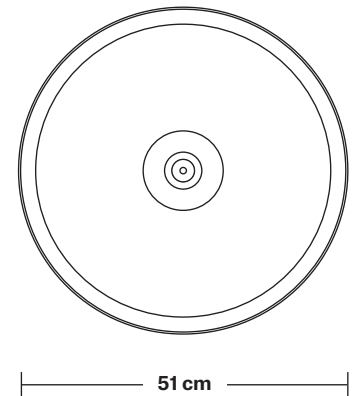
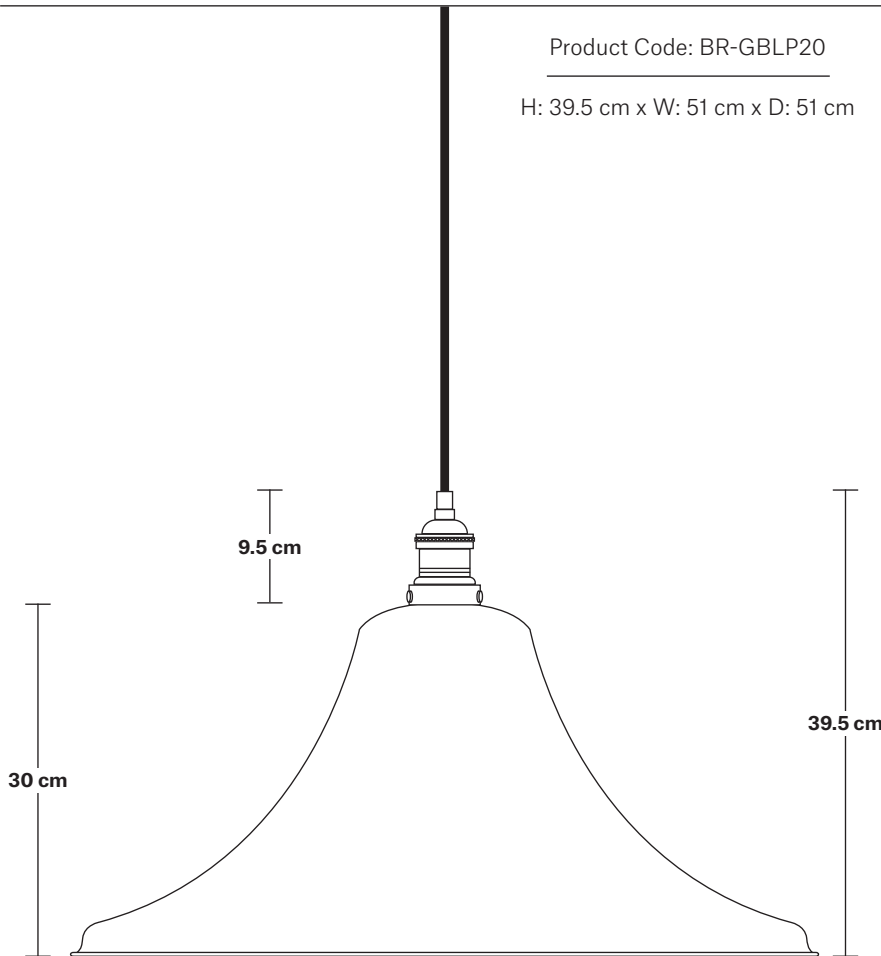
Ceiling Rose Diameter: 12 cm / 4.9"

Ceiling Rose Height: 2 cm / 0.8"

Brooklyn Giant Bell Pendant - 20 Inch

Product Code: BR-GBLP20

H: 39.5 cm x W: 51 cm x D: 51 cm

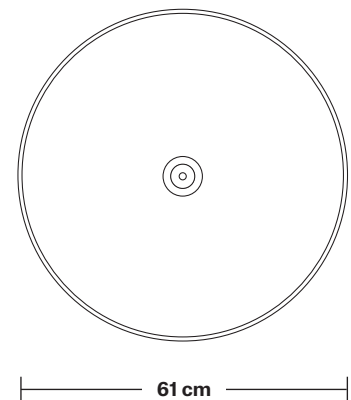
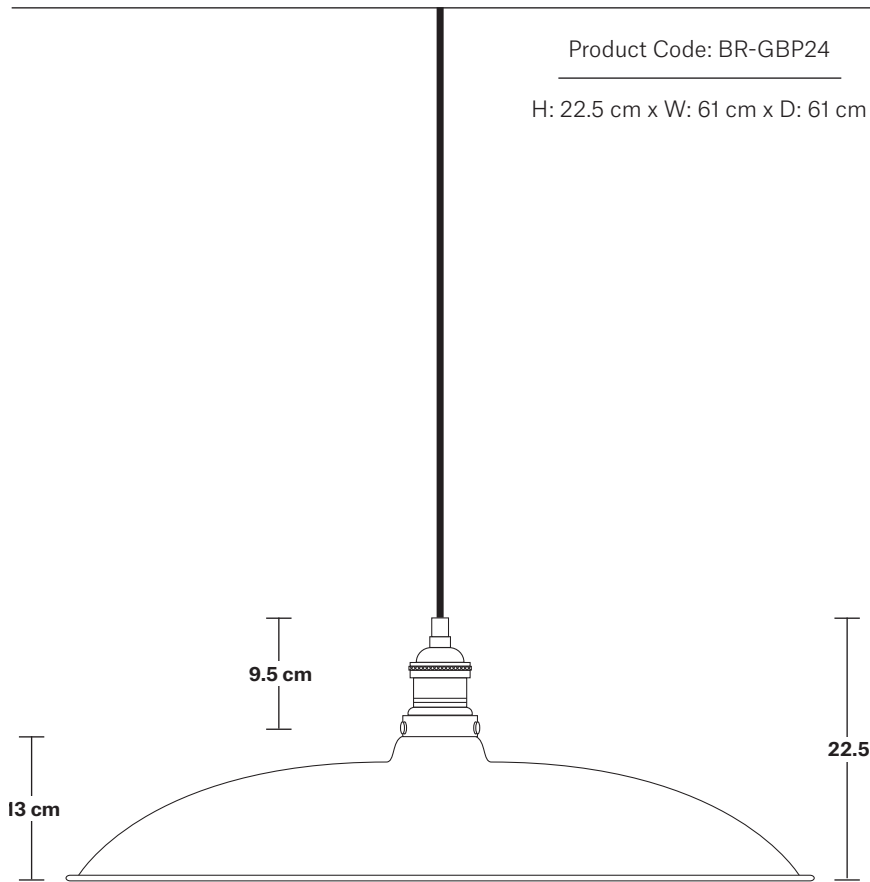


SPECIFICATIONS	INFORMATION	DIMENSIONS
We meet all UK and EU lighting and safety regulations.	Finishes: Brass, Pewter.	Shade Diameter: 51 cm / 20"
Our products are hand finished to ensure an authentic vintage look and therefore they may vary slightly from those shown in the images.	Ready to be installed, installation required.	Shade Height (no holder): 30 cm / 11.8"
Bulb required: Standard screw (E27) fitting, max 40W.	Wall mount screws not included.	Holder Diameter: 6 cm / 2.5"
Shade weight: 1.8kg Holder weight: 0.5 kg	Holders available: Brass, Pewter, Pewter Chain Holder.	Holder Height: 11 cm / 4.3"
Maximum weight: 2.3 kg	Flex: 1m Black Round Fabric Flex.	Ceiling Rose Diameter: 12 cm / 4.9"
	Chain flex: 1m Black Round plastic and 1m Chain.	Ceiling Rose Height: 2 cm / 0.8"
	Ceiling rose: Pewter.	

Brooklyn Giant Bowl Pendant - 24 Inch

Product Code: BR-GBP24

H: 22.5 cm x W: 61 cm x D: 61 cm



SPECIFICATIONS

We meet all UK and EU lighting and safety regulations.

Our products are hand finished to ensure an authentic vintage look and therefore they may vary slightly from those shown in the images.

Bulb required: Standard screw (E27) fitting, max 40W.

Shade weight: 2 kg | **Holder weight:** 0.5 kg

Maximum weight: 2.5 kg

INFORMATION

Finishes: Pewter.

Ready to be installed, installation required.

Wall mount screws not included.

Holders available: Brass, Pewter, Copper.

Flex: 1m Black Round Fabric Flex.

Chain flex: 1m Black Round plastic and 1m Chain.

Ceiling rose: Pewter.

DIMENSIONS

Shade Diameter: 61 cm / 24"

Shade Height (no holder): 13 cm / 5.3"

Holder Diameter: 6 cm / 2.5"

Holder Height: 11 cm / 4.3"

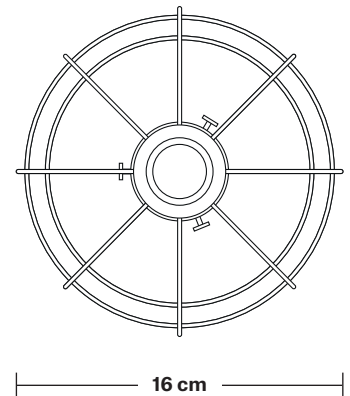
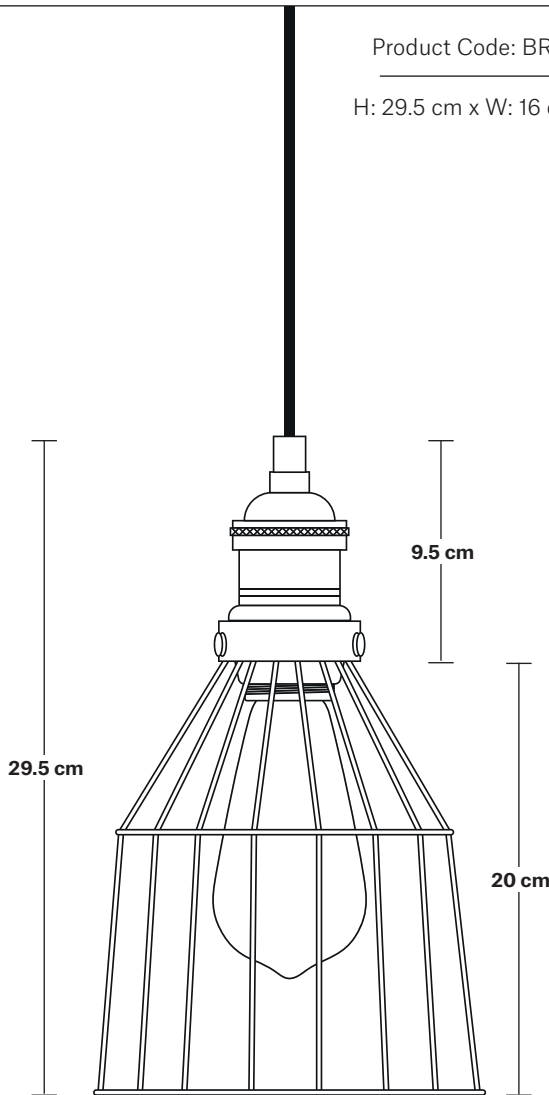
Ceiling Rose Diameter: 12 cm / 4.9"

Ceiling Rose Height: 2 cm / 0.8"

Brooklyn Cage Pendant - 6 Inch - Cone

Product Code: BR-WCP6-CN

H: 29.5 cm x W: 16 cm x D: 16 cm



SPECIFICATIONS

We meet all UK and EU lighting and safety regulations.

Our products are hand finished to ensure an authentic vintage look and therefore they may vary slightly from those shown in the images.

Bulb required: Standard screw (E27) fitting, max 40W.

Shade weight: 0.24 kg | **Holder weight:** 0.5 kg

Maximum weight: 0.74 kg

INFORMATION

Finishes: Rusty, Pewter.

Ready to be installed, installation required.

Wall mount screws not included.

Holders available: Brass, Pewter, Copper.

Flex: 1m Black Round Fabric Flex.

Ceiling rose: Pewter.

DIMENSIONS

Shade Diameter: 16 cm / 6.3"

Shade Height (no holder): 20 cm / 7.8"

Holder Diameter: 6 cm / 2.5"

Holder Height: 11 cm / 4.3"

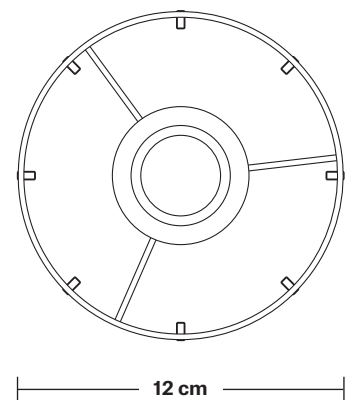
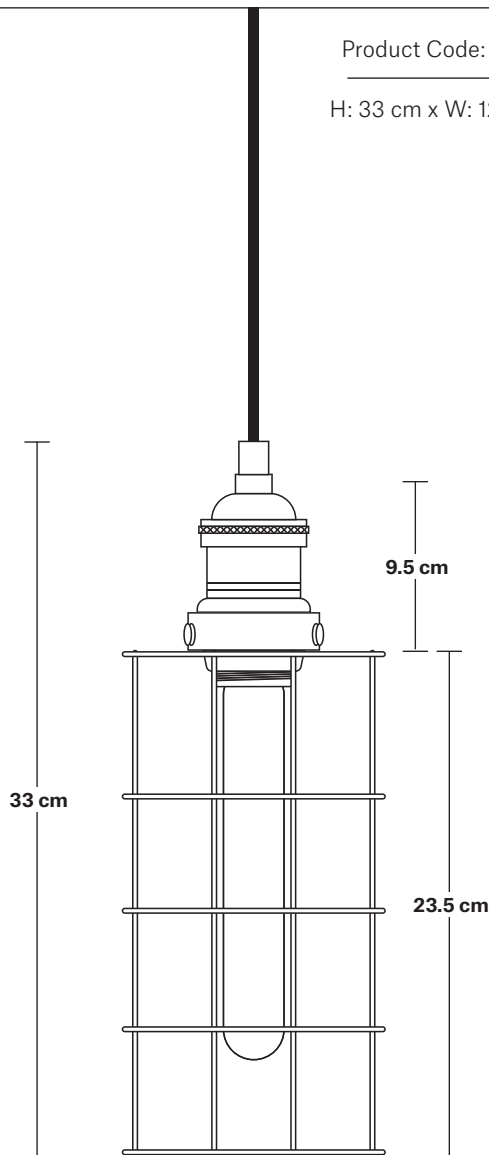
Ceiling rose Diameter: 12 cm / 4.9"

Ceiling rose Height: 2 cm / 0.8"

Brooklyn Cage Pendant - 5 Inch - Cylinder

Product Code: BR-WCP5-CY

H: 33 cm x W: 12 cm x D: 12 cm



SPECIFICATIONS

We meet all UK and EU lighting and safety regulations.

Our products are hand finished to ensure an authentic vintage look and therefore they may vary slightly from those shown in the images.

Bulb required: Standard screw (E27) fitting, max 40W.

Shade weight: 0.28 kg | **Holder weight:** 0.5 kg

Maximum weight: 0.78 kg

INFORMATION

Finishes: Rusty, Pewter.

Ready to be installed, installation required.

Wall mount screws not included.

Holders available: Brass, Pewter, Copper.

Flex: 1m Black Round Fabric Flex.

Ceiling rose: Pewter.

DIMENSIONS

Shade Diameter: 12 cm / 5"

Shade Height (no holder): 23.5 cm / 9"

Holder Diameter: 6 cm / 2.5"

Holder Height: 11 cm / 4.3"

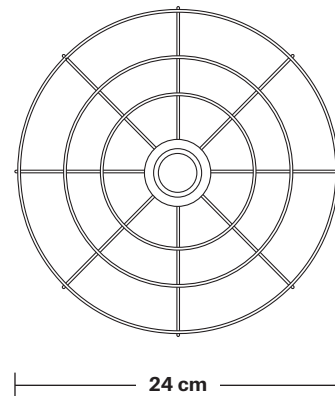
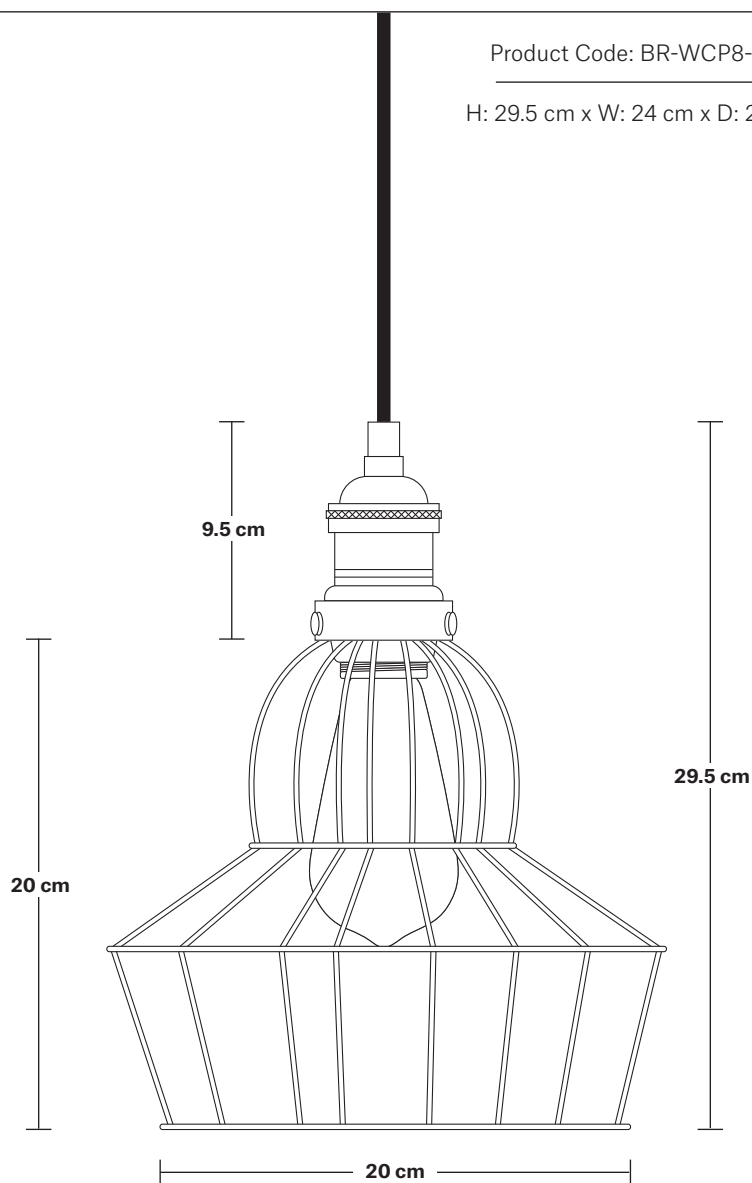
Ceiling Rose Diameter: 12 cm / 4.9"

Ceiling Rose Height: 2 cm / 0.8"

Brooklyn Cage Pendant - 8 Inch - Rose

Product Code: BR-WCP8-RS

H: 29.5 cm x W: 24 cm x D: 24 cm



SPECIFICATIONS

We meet all UK and EU lighting and safety regulations.

Our products are hand finished to ensure an authentic vintage look and therefore they may vary slightly from those shown in the images.

Bulb required: Standard screw (E27) fitting, max 40W.

Shade weight: 0.17 kg | **Holder weight:** 0.5 kg

Maximum weight: 0.67 kg

INFORMATION

Finishes: Rusty, Pewter.

Ready to be installed, installation required.

Wall mount screws not included.

Holders available: Brass, Pewter, Copper.

Flex: 1m Black Round Fabric Flex.

Ceiling rose: Pewter.

DIMENSIONS

Shade Diameter: 24 cm / 9.5"

Shade Height (no holder): 20 cm / 7.8"

Holder Diameter: 6 cm / 2.5"

Holder Height: 11 cm / 4.3"

Ceiling Rose Diameter: 12 cm / 4.9"

Ceiling Rose Height: 2 cm / 0.8"

Brooklyn

These ceiling fittings are completely pre-wired and only require a small amount of assembly after connecting to the mains wiring:

- Once the pendant/ wall holder is installed, unscrew the three small screws on the holder.

- Install the bulb.

- Hold the cage shade in place onto the holder and begin to re-screw the three small screws.

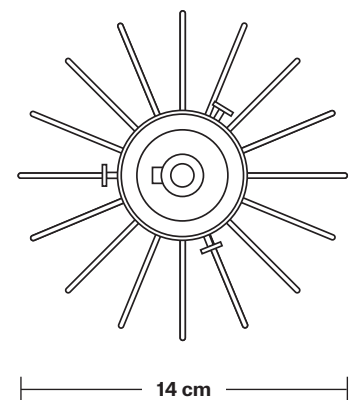
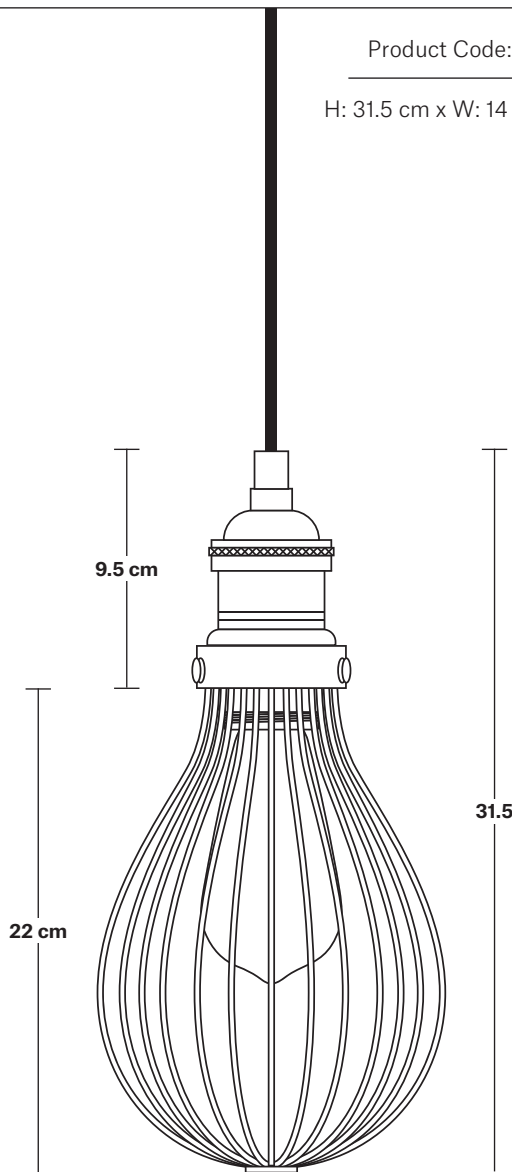
- Once secure it will hold the shade to the holder, your Orlando Balloon Cage is now installed.

Balloon 46

Brooklyn Balloon Cage Pendant - 6 Inch

Product Code: BR-BCP6

H: 31.5 cm x W: 14 cm x D: 14 cm



SPECIFICATIONS

We meet all UK and EU lighting and safety regulations.

Our products are hand finished to ensure an authentic vintage look and therefore they may vary slightly from those shown in the images.

Bulb required: Standard screw (E27) fitting, max 40W.

Shade weight: 0.25 kg | **Holder weight:** 0.5 kg

Maximum weight: 0.75 kg

INFORMATION

Finishes: Pewter, Copper.

Ready to be installed, installation required.

Wall mount screws not included.

Holders available: Brass, Pewter, Copper.

Flex: 1m Black Round Fabric Flex.

Ceiling rose: Pewter.

DIMENSIONS

Shade Diameter: 14 cm / 5.5"

Shade Height (no holder): 22 cm / 8.6"

Holder Diameter: 6 cm / 2.5"

Holder Height: 11 cm / 4.3"

Ceiling Rose Diameter: 12 cm / 4.9"

Ceiling Rose Height: 2 cm / 0.8"



Brooklyn

These ceiling fittings are completely pre-wired and only require a small amount of assembly after connecting to the mains wiring:

Caution - Fragile item, extra care needed when installing.

- Once the holder is installed, unscrew the screws from the holder.

- Hold the glass shade into place.

- Once in place begin to screw the screws back into the holder just enough to hold the shade, taking extra care not to screw too tightly into the glass.

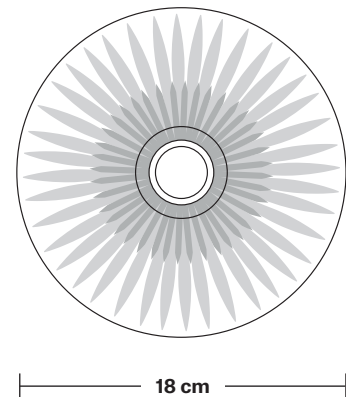
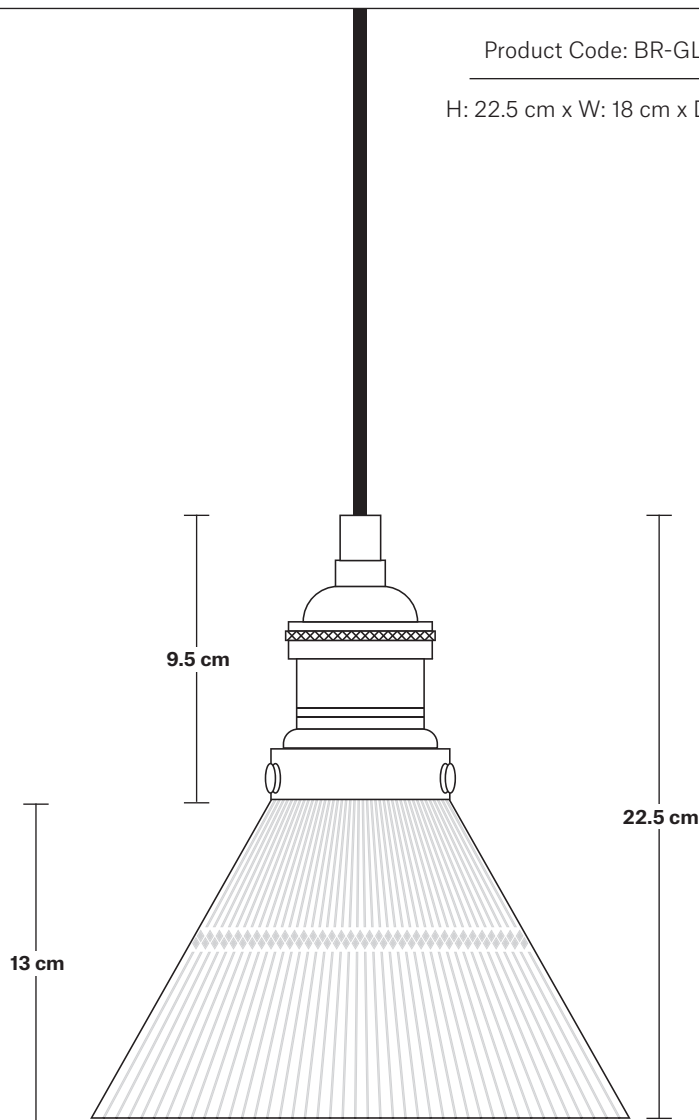
- Once secure, it will hold the shade to the holder, your Brooklyn Glass Pendant is now installed.

Glass Funnel – 7 Inch ⁵⁰
Glass Dome – 8 Inch ⁵¹

Brooklyn Glass Funnel Pendant - 7 Inch

Product Code: BR-GLFP7

H: 22.5 cm x W: 18 cm x D: 18 cm



SPECIFICATIONS

meet all UK and EU lighting and safety regulations.

products are hand finished to ensure an authentic vintage look and therefore they may vary slightly from those shown in the images.

Power required: Standard screw (E27) fitting, max 40W.

Shade weight: 0.6 kg | **Holder weight:** 0.5 kg

Maximum weight: 1.1 kg

INFORMATION

Finishes: Glass.

Ready to be installed, installation required.

Wall mount screws not included.

Holders available: Brass, Pewter, Copper.

Flex: 1m Black Round Fabric Flex.

Ceiling rose: Pewter.

DIMENSIONS

Shade Diameter: 18 cm / 7"

Shade Height (no holder): 13 cm / 5.3"

Holder Diameter: 6 cm / 2.5"

Holder Height: 11 cm / 4.3"

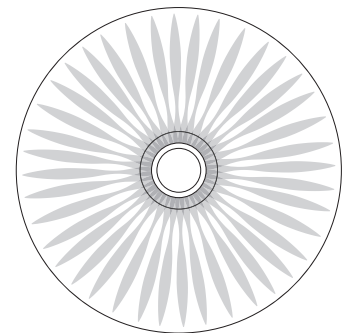
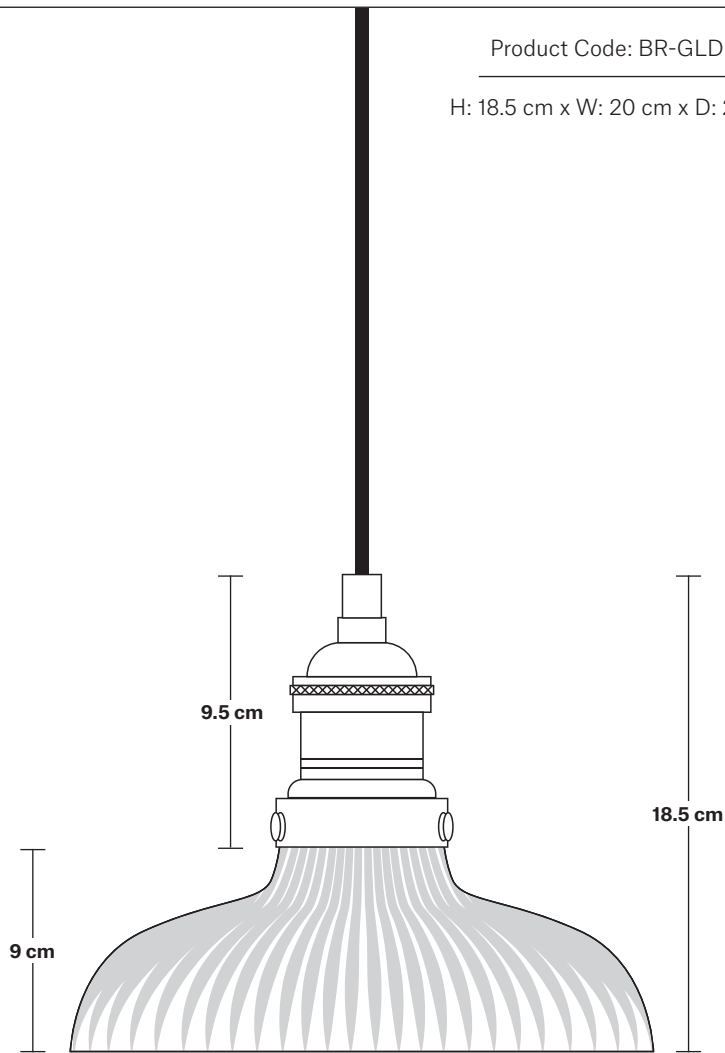
Ceiling Rose Diameter: 12 cm / 4.9"

Ceiling Rose Height: 2 cm / 0.8"

Brooklyn Glass Dome Pendant - 8 Inch

Product Code: BR-GLDP8

H: 18.5 cm x W: 20 cm x D: 20 cm



20 cm

SPECIFICATIONS

meet all UK and EU lighting and safety regulations.

Our products are hand finished to ensure an authentic vintage look and therefore the may vary slightly from those shown in the images.

Weight required: Standard screw (E27) fitting, max 40W.

Shade weight: 0.8 kg | **Holder weight:** 0.58 kg

Maximum weight: 1.38 kg

INFORMATION

Finishes: Glass.

Ready to be installed, installation required.

Wall mount screws not included.

Holders available: Brass, Pewter, Copper.

Flex: 1m Black Round Fabric Flex.

Ceiling rose: Pewter.

DIMENSIONS

Shade Diameter: 20 cm / 8"

Shade Height (no holder): 9 cm / 3.5"

Holder Diameter: 6 cm / 2.5"

Holder Height: 11 cm / 4.3"

Ceiling Rose Diameter: 12 cm / 4.9"

Ceiling Rose Height: 2 cm / 0.8"

Brooklyn

These ceiling fittings are completely pre-wired and only require a small amount of assembly after connecting to the mains wiring:

Caution - Fragile item, extra care needed when installing.

- Once the holder is installed, unscrew the screws from the holder.

- Hold the glass shade into place.

- Once in place begin to screw the screws back into the holder just enough to hold the shade, taking extra care not to screw too tightly into the glass.

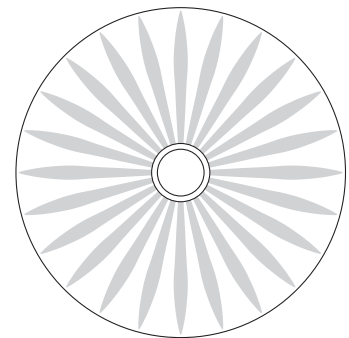
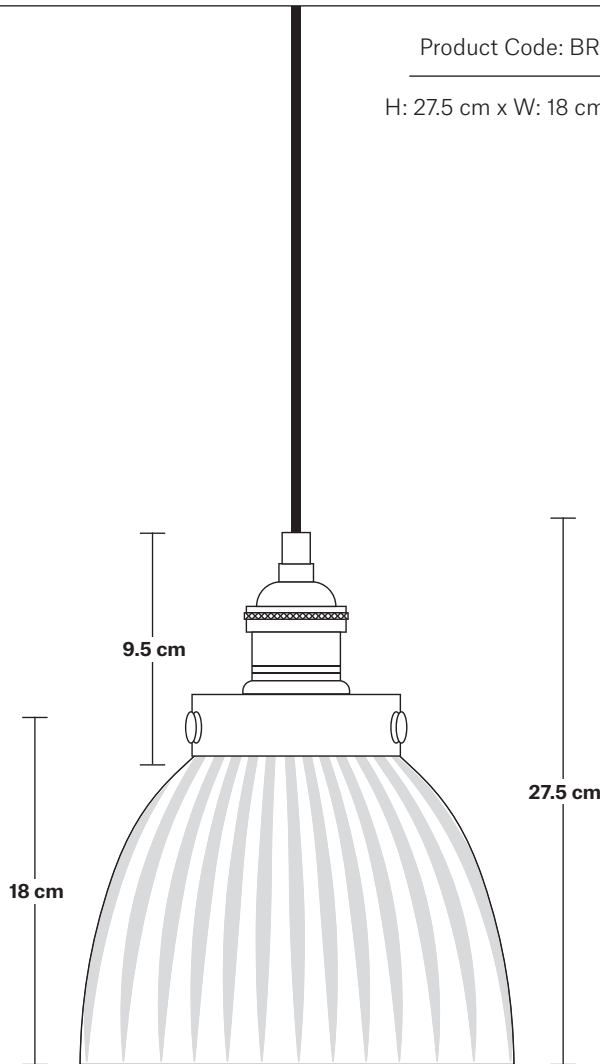
- Once secure, it will hold the shade to the holder, your Brooklyn Glass Pendant is now installed.

Glass Cone – 7 Inch ⁵⁴
Glass Dome – 12 Inch ⁵⁵

Brooklyn Glass Cone Pendant - 7 Inch

Product Code: BR-GLCP7

H: 27.5 cm x W: 18 cm x D: 18 cm



18 cm

SPECIFICATIONS

We meet all UK and EU lighting and safety regulations.

Our products are hand finished to ensure an authentic vintage look and therefore they may vary slightly from those shown in the images.

Bulb required: Standard screw (E27) fitting, max 40W.

Shade weight: 0.8 kg | **Holder weight:** 0.58 kg

Maximum weight: 1.38 kg

INFORMATION

Finishes: Glass.

Ready to be installed, installation required.

Wall mount screws not included.

Holders available: Brass, Pewter, Copper.

Flex: 1m Black Round Fabric Flex.

Ceiling rose: Pewter.

DIMENSIONS

Shade Diameter: 18 cm / 7"

Shade Height (no holder): 18 cm / 7"

Holder Diameter: 7 cm / 2.7"

Holder Height: 10 cm / 3.9"

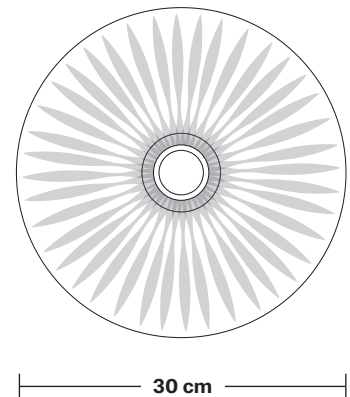
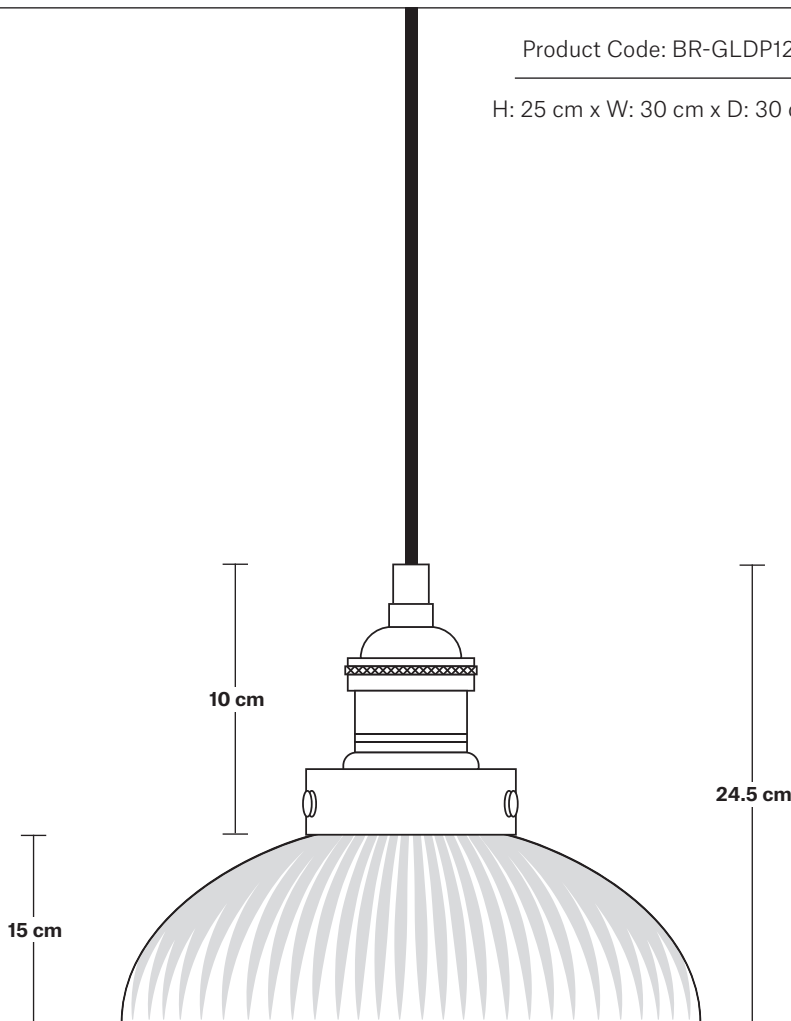
Ceiling Rose Diameter: 12 cm / 4.9"

Ceiling Rose Height: 2 cm / 0.8"

Brooklyn Glass Dome Pendant - 12 Inch

Product Code: BR-GLDP12

H: 25 cm x W: 30 cm x D: 30 cm



SPECIFICATIONS

We meet all UK and EU lighting and safety regulations.

Our products are hand finished to ensure an authentic vintage look and therefore they may vary slightly from those shown in the images.

Bulb required: Standard screw (E27) fitting, max 40W.

Shade weight: 0.65 kg | **Holder weight:** 0.5 kg

Maximum weight: 1.15 kg

INFORMATION

Finishes: Glass.

Ready to be installed, installation required.

Wall mount screws not included.

Holders available: Brass, Pewter, Copper.

Flex: 1m Black Round Fabric Flex.

Ceiling rose: Pewter.

DIMENSIONS

Shade Diameter: 30 cm / 11.7"

Shade Height (no holder): 15 cm / 5.9"

Holder Diameter: 7 cm / 2.9"

Holder Height: 10 cm / 4.1"

Ceiling Rose Diameter: 12 cm / 4.9"

Ceiling Rose Height: 2 cm / 0.8"

Brooklyn

These ceiling fittings are completely pre-wired and only require a small amount of assembly after connecting to the mains wiring:

- Clearly mark out the location of each arm of the pendant.
- Attach a ribbed anchor (not provided) to each hook on the pendant light.
- Once attached, hammer these hooks and anchors into the desired location, taking extra care not to use too much force.

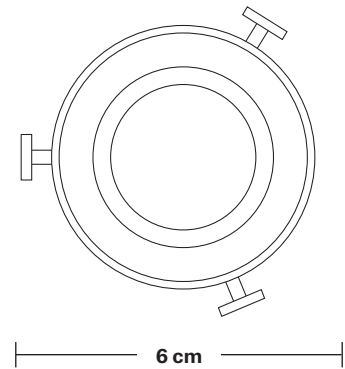
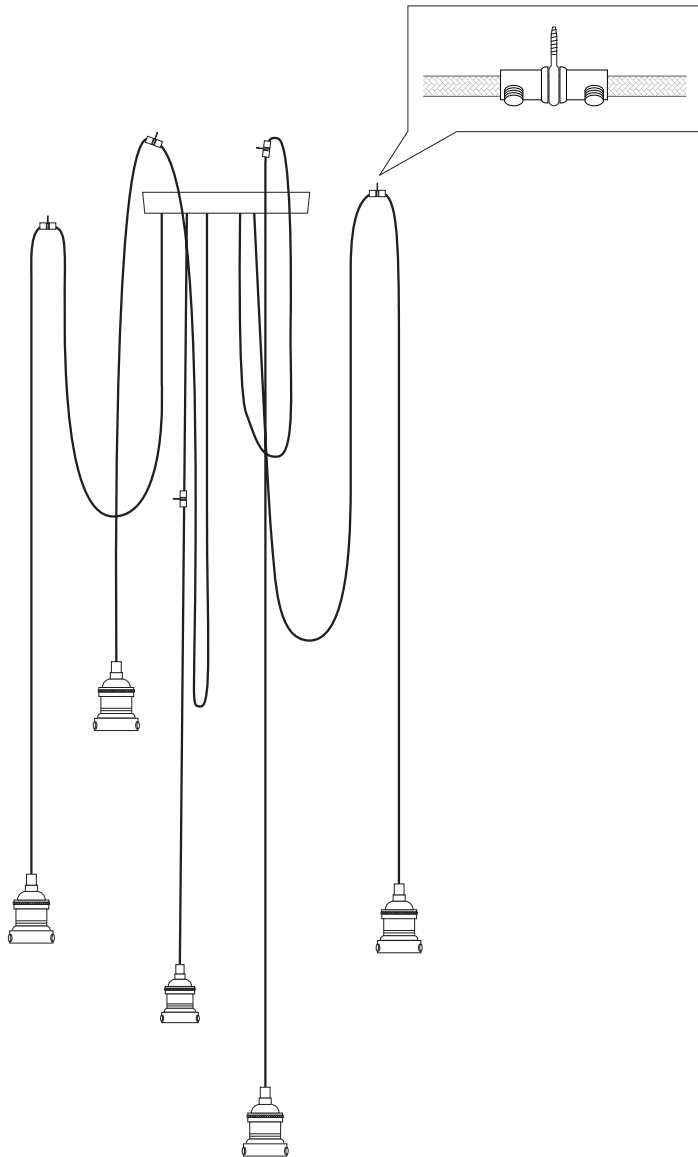
- Once secure, install the bulbs. Your 5 Wire Pendant is now installed.

- **Please Note:** Take extra care when installing on plasterboard, the thickness of the plasterboard and weight of the products being installed need to be considered. You will need to use a support backing/wooden support frame behind the plasterboard. We always advise consulting a qualified electrician/contractor when installing our fittings.

5 Wire ⁵⁸
5 Wire – Inc Shades ⁵⁹

Brooklyn 5 Wire Pendant

Product Code: BR-5WP



SPECIFICATIONS

We meet all UK and EU lighting and safety regulations.

Our products are hand finished to ensure an authentic vintage look and therefore they may vary slightly from those shown in the images.

Bulb required: Standard screw (E27) fitting, max 40W.

Weight: 2.5 kg

INFORMATION

Finishes: Brass, Pewter, Copper.

Ready to be installed, installation required.

Wall mount screws not included.

Holders available: Brass, Pewter, Copper.

Ceiling rose: Pewter.

DIMENSIONS

Holder Diameter: 6 cm / 2.5"

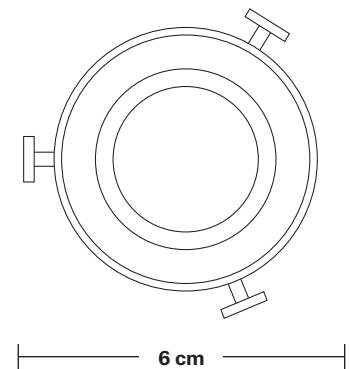
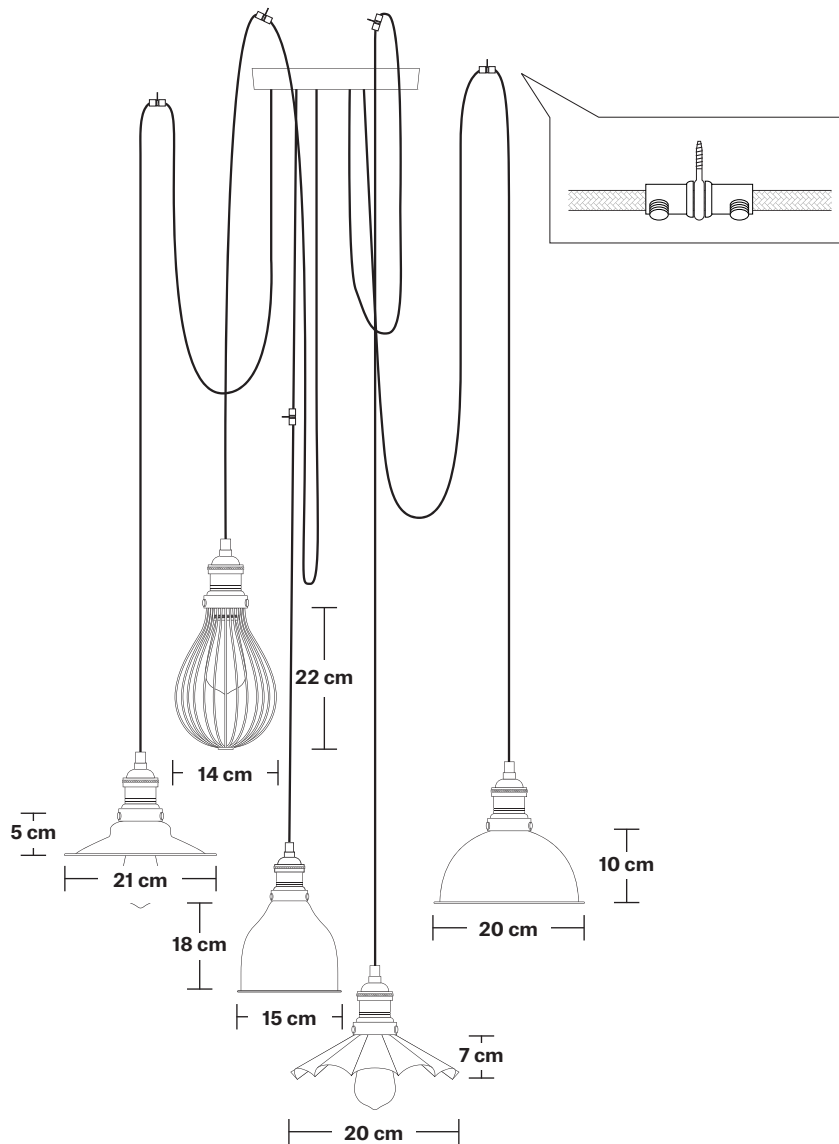
Holder Height: 11 cm / 4.3"

Ceiling Rose Diameter: 12 cm / 4.9"

Ceiling Rose Height: 2 cm / 0.8"

Brooklyn 5 Wire Pendant - Including Shades

Product Code: BR-5WP-MSO



SPECIFICATIONS

We meet all UK and EU lighting and safety regulations.

Our products are hand finished to ensure an authentic vintage look and therefore they may vary slightly from those shown in the images.

Bulb required: Standard screw (E27) fitting, max 40W.

Weight: 4 kg

INFORMATION

Finishes: Brass, Pewter, Copper.

Ready to be installed, installation required.

Wall mount screws not included.

Holders available: Brass, Pewter, Copper

Ceiling rose: Pewter.

DIMENSIONS

Holder Diameter: 6 cm / 2.4"

Holder Height: 11 cm / 4.3"

Ceiling Rose Diameter: 20.5 cm / 8.1"

Ceiling Rose Height: 2 cm / 0.8"

Brooklyn Outdoor & Bathroom

These ceiling fittings are completely pre-wired and only require a small amount of assembly after connecting to the mains wiring:

Once the pendant holder is installed, unscrew the black ring.

- Hold the shade in place onto the holder.

- After holding the shade in its place, place the threaded metal ring beneath the shade (if you don't want to have a shade, simply screw the threaded metal ring directly on the holder).

- Once in place, begin to screw the black ring.

- Once secure, it will hold the shade and the threaded metal ring to the holder.

- Once in place, install the bulb.

- After installing the bulb, screw in the glass cover.

- Ensure the rubber seal is intact and firmly attached to the glass.

- Once secure, your Brooklyn Outdoor Pendant is now installed.

Cordset – Tube 62

Cordset – Globe 63

Tube Glass 64

Globe Glass 65

Dome 66

Step 70

Giant Step 71

Giant Hat 72

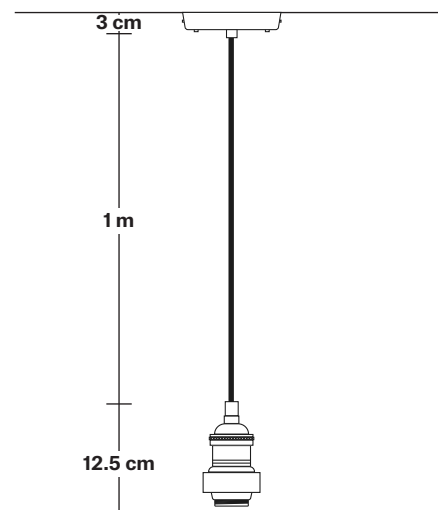
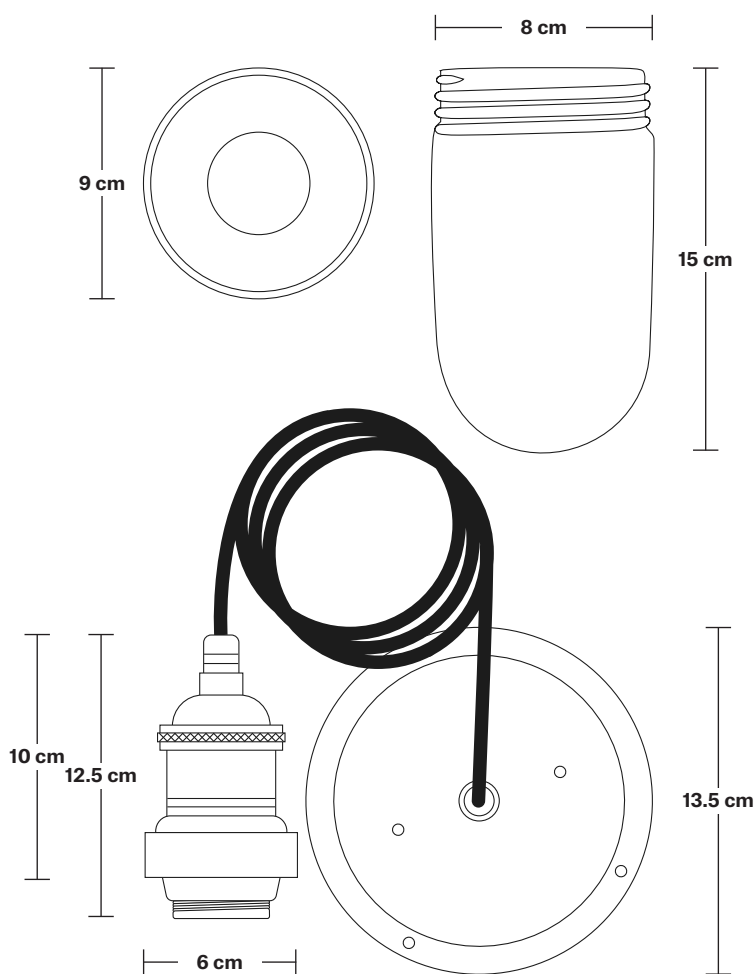
Giant Bell 73

Brooklyn Outdoor & Bathroom Cord Set

ES E27 Bulb Holder - Tube Glass

Product Code: BR-IP65-CS

H: 115.5 cm x W: 13.5 cm x D: 13.5 cm



SPECIFICATIONS

We meet all UK and EU lighting and safety regulations.

Our products are hand finished to ensure an authentic vintage look and therefore they may vary slightly from those shown in the images.

Bulb required: Standard screw (E27) fitting, max 40W.

Weight: 0.8 kg

INFORMATION

Finishes: Brass, Pewter, Copper.

Ready to be installed, installation required.

Wall mount screws not included.

IP rating: IP65 with Tube glass.

DIMENSIONS

Bulb Holder Diameter: 6 cm / 2.5"

Bulb Holder Height: 12.5 cm / 4.3"

Ceiling Rose Diameter: 13.5 cm / 5.3"

Ceiling Rose Height: 3 cm / 1.2"

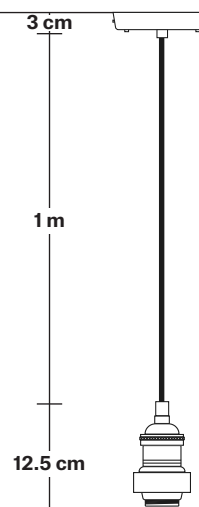
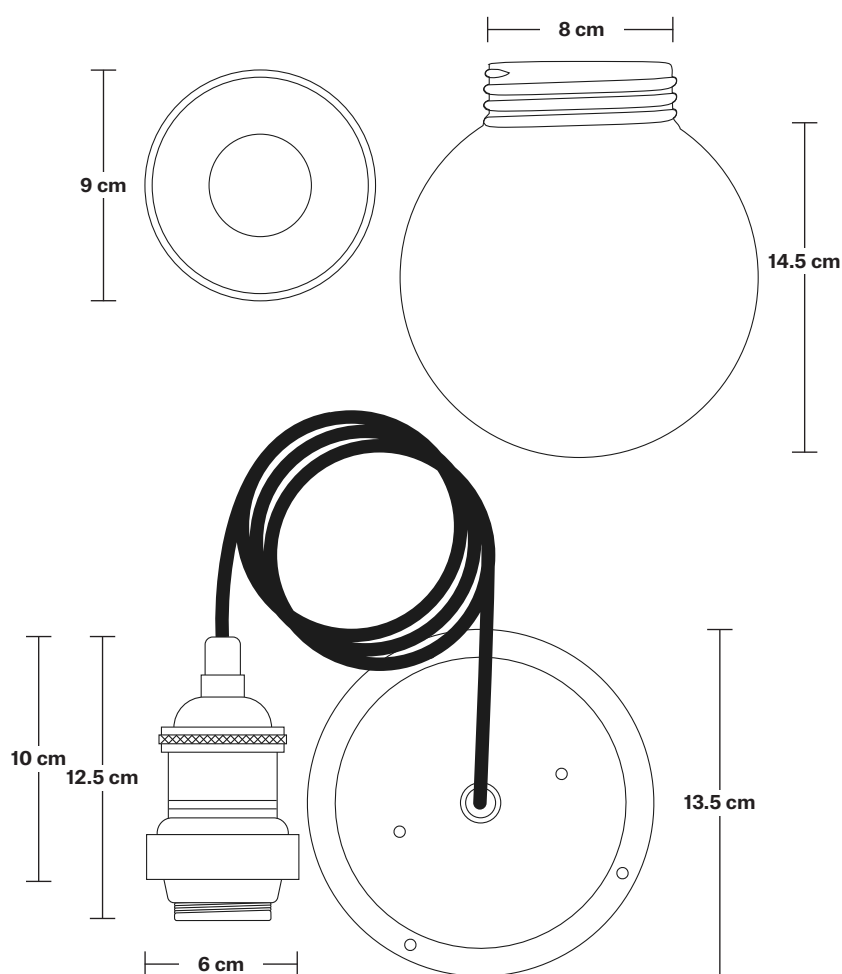
Full Drop: 115.5 cm / 45.5"

Brooklyn Outdoor & Bathroom Cord Set

ES E27 Bulb Holder - Globe Glass

Product Code: BR-IP65-CS

H: 115.5 cm x W: 15 cm x D: 15 cm



SPECIFICATIONS

We meet all UK and EU lighting and safety regulations.

Our products are hand finished to ensure an authentic vintage look and therefore they may vary slightly from those shown in the images.

Bulb required: Standard screw (E27) fitting, max 40W.

Weight: 0.8 kg

INFORMATION

Finishes: Brass, Pewter, Copper.

Ready to be installed, installation required.

Wall mount screws not included.

IP rating: IP65 with Globe glass.

DIMENSIONS

Bulb Holder Diameter: 6 cm / 2.5"

Bulb Holder Height: 12.5 cm / 4.3"

Ceiling Rose Diameter: 13.5 cm / 5.3"

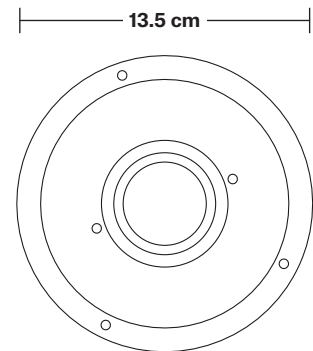
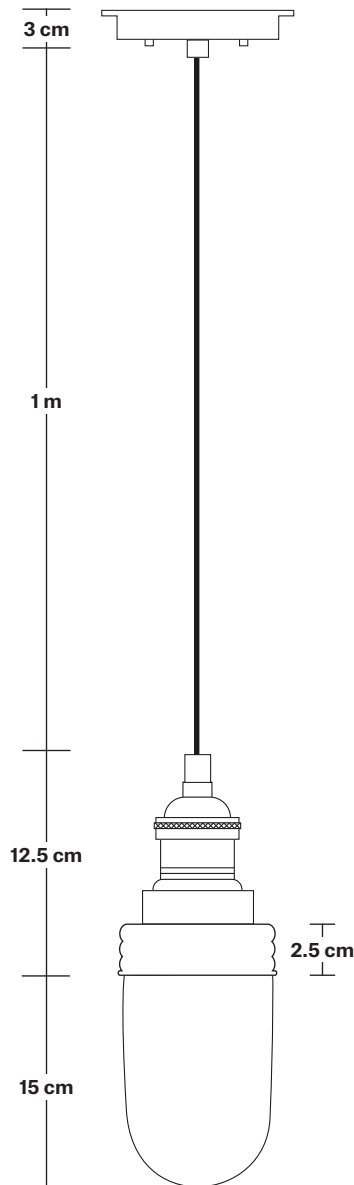
Ceiling Rose Height: 3 cm / 1.2"

Full Drop: 115.5 cm / 45.5"

Brooklyn Outdoor & Bathroom Pendant - Tube Glass

Product Code: BR-IP65-P

H: 130 cm x W: 13.5 cm x D: 13.5 cm



SPECIFICATIONS

We meet all UK and EU lighting and safety regulations.

Our products are hand finished to ensure an authentic vintage look and therefore they may vary slightly from those shown in the images.

Bulb required: Standard screw (E27) fitting, max 40W.

Weight: 1.04 kg

INFORMATION

Finishes: Brass, Pewter, Copper.

Ready to be installed, installation required.

Wall mount screws not included.

IP rating: IP65 with Tube glass.

DIMENSIONS

Bulb Holder Diameter: 6 cm / 2.5"

Bulb Holder Height: 12.5 cm / 4.3"

Ceiling Rose Diameter: 13.5 cm / 5.3"

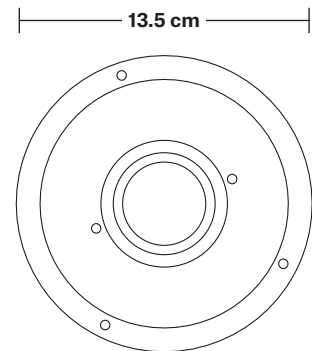
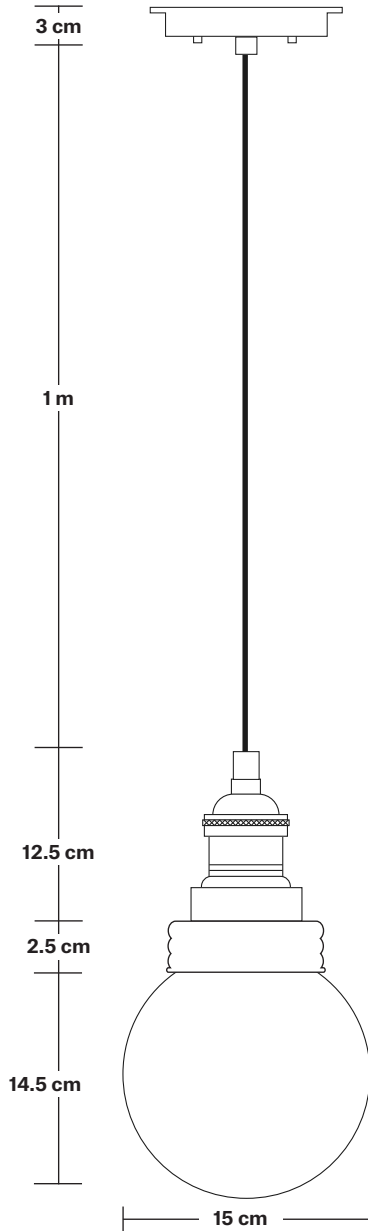
Ceiling Rose Height: 3 cm / 1.2"

Full Drop: 130 cm / 51"

Brooklyn Outdoor & Bathroom Pendant – Globe Glass

Product Code: BR-IP65-P-GLG

H: 130 cm x W: 15 cm x D: 15 cm



SPECIFICATIONS

We meet all UK and EU lighting and safety regulations.

Our products are hand finished to ensure an authentic vintage look and therefore they may vary slightly from those shown in the images.

Bulb required: Standard screw (E27) fitting, max 40W.

Weight: 1.04 kg

INFORMATION

Finishes: Brass, Pewter, Copper.

Ready to be installed, installation required.

Wall mount screws not included.

IP rating: IP65 with Globe glass.

DIMENSIONS

Bulb Holder Diameter: 6 cm / 2.5"

Bulb Holder Height: 12.5 cm / 4.3"

Ceiling Rose Diameter: 13.5 cm / 5.3"

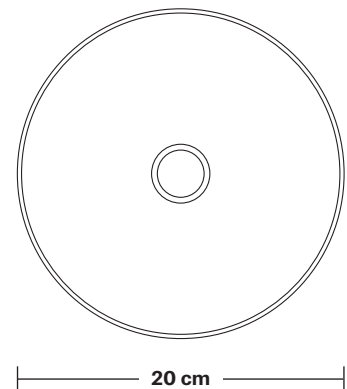
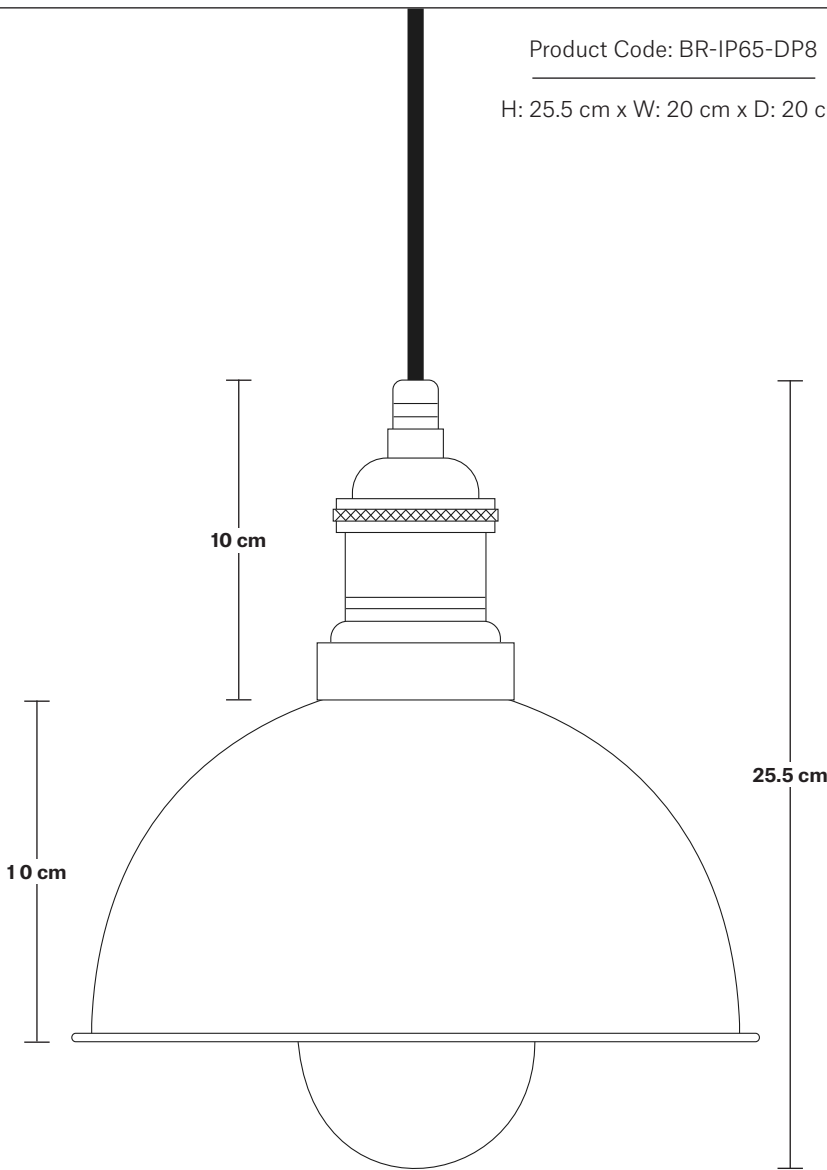
Ceiling Rose Height: 3 cm / 1.2"

Full Drop: 130 cm / 51"

Brooklyn Outdoor & Bathroom Dome Pendant - 8 Inch - Tube Glass

Product Code: BR-IP65-DP8

H: 25.5 cm x W: 20 cm x D: 20 cm



SPECIFICATIONS

We meet all UK and EU lighting and safety regulations.

Our products are hand finished to ensure an authentic vintage look and therefore they may vary slightly from those shown in the images.

Bulb required: Standard screw (E27) fitting, max 40W.

Shade weight: 0.4 kg | **Holder weight:** 0.8 kg

Maximum weight: 1.2 kg

INFORMATION

Finishes: Brass, Copper, Pewter & Copper, Pewter & Brass.

Ready to be installed, installation required.

Wall mount screws not included.

Holders available: Brass, Pewter, Copper.

Flex: 1m Black Round Plastic Flex.

Ceiling rose: Pewter.

IP rating: IP65 with Tube glass.

DIMENSIONS

Shade Diameter: 20 cm / 8"

Shade Height: 10 cm / 4"

Holder Diameter: 6 cm / 2.5"

Holder Height: 12.5 cm / 4.3"

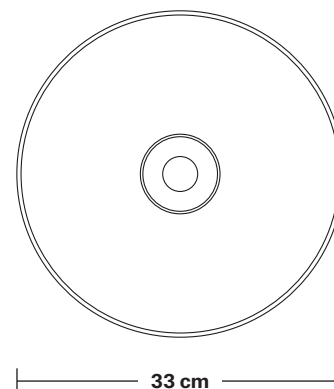
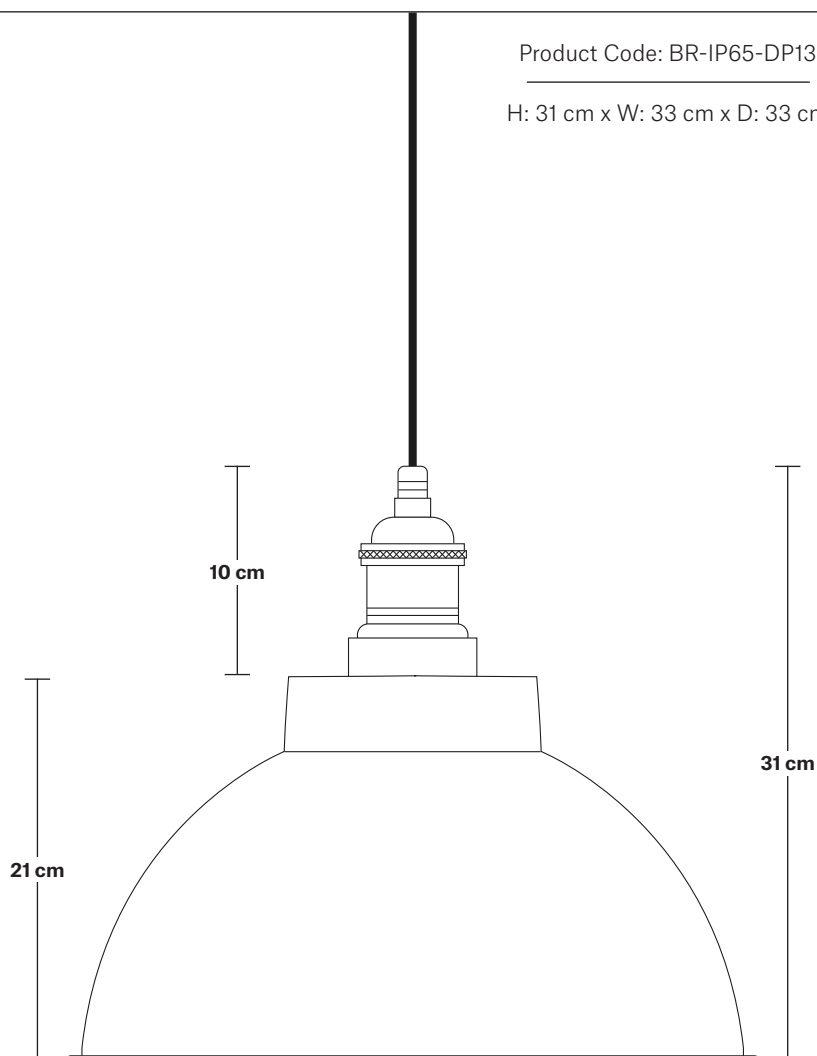
Ceiling Rose Diameter: 13.5 cm / 5.3"

Ceiling Rose Height: 3 cm / 1.2"

Brooklyn Outdoor & Bathroom Dome Pendant - 13 Inch

Product Code: BR-IP65-DP13

H: 31 cm x W: 33 cm x D: 33 cm



SPECIFICATIONS

We meet all UK and EU lighting and safety regulations.

Our products are hand finished to ensure an authentic vintage look and therefore they may vary slightly from those shown in the images.

Bulb required: Standard screw (E27) fitting, max 40W.

Shade weight: 1.1 kg | **Holder weight:** 0.8 kg

Maximum weight: 1.9kg

INFORMATION

Finishes: Brass, Copper, Copper & Pewter, Brass & Pewter.

Ready to be installed, installation required.

Wall mount screws not included.

Holders available: Brass, Pewter, Copper.

Flex: 1m Black Round Plastic Flex.

Ceiling Rose: Pewter.

IP rating: IP65 with glass (Tube, Globe).

DIMENSIONS

Shade Diameter: 33 cm / 13"

Shade Height (no holder): 21 cm / 8.3"

Holder Diameter: 6 cm / 2.5"

Holder Height: 12.5 cm / 4.3"

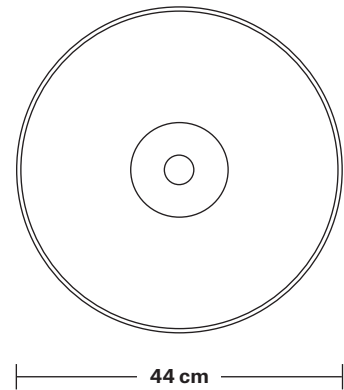
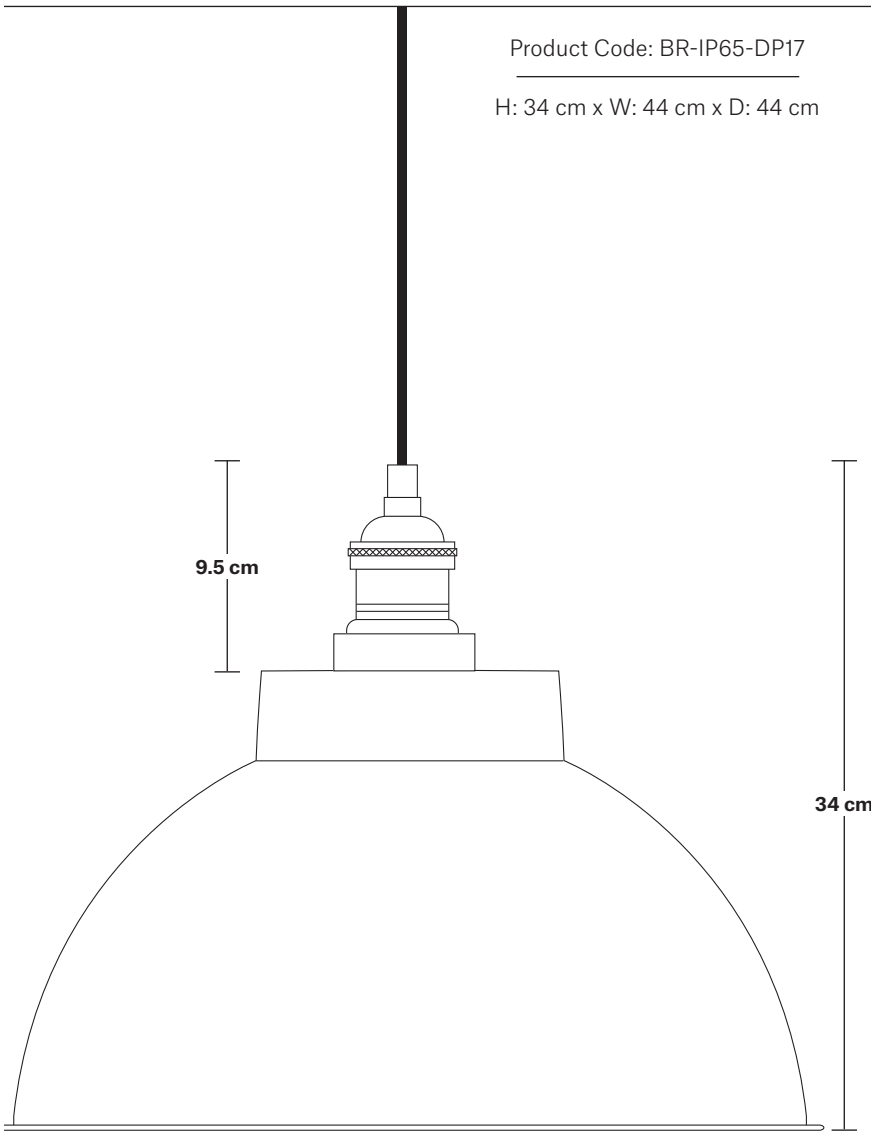
Ceiling Rose Diameter: 13.5 cm / 5.3"

Ceiling Rose Height: 3 cm / 1.2"

Brooklyn Outdoor & Bathroom Dome Pendant - 17 Inch

Product Code: BR-IP65-DP17

H: 34 cm x W: 44 cm x D: 44 cm



SPECIFICATIONS

meet all UK and EU lighting and safety regulations.

products are hand finished to ensure an authentic vintage look and therefore they may vary slightly from those shown in the images.

Bulb required: Standard screw (E27) fitting, max 40W.

Shade weight: 1.3kg | **Holder weight:** 0.5kg

Maximum weight: 1.8 kg

INFORMATION

Finishes: Brass, Pewter, Copper & Pewter, Brass & Pewter.

Ready to be installed, installation required.

Wall mount screws not included.

Holders available: Brass, Pewter, Copper, Pewter Chain Holder.

Flex: 1m Black Round Fabric Flex.

Ceiling Rose: Pewter.

IP rating: IP65 with glass (Tube, Globe)

DIMENSIONS

Shade Diameter: 44 cm / 17.3"

Shade Height (no holder): 24.5 cm / 9.6"

Holder Diameter: 6 cm / 2.5"

Holder Height: 11 cm / 4.3"

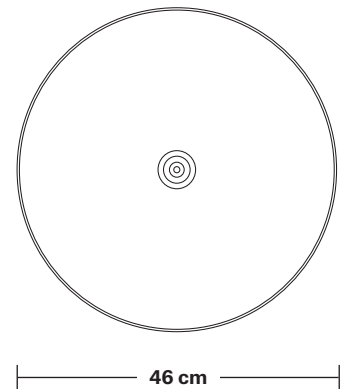
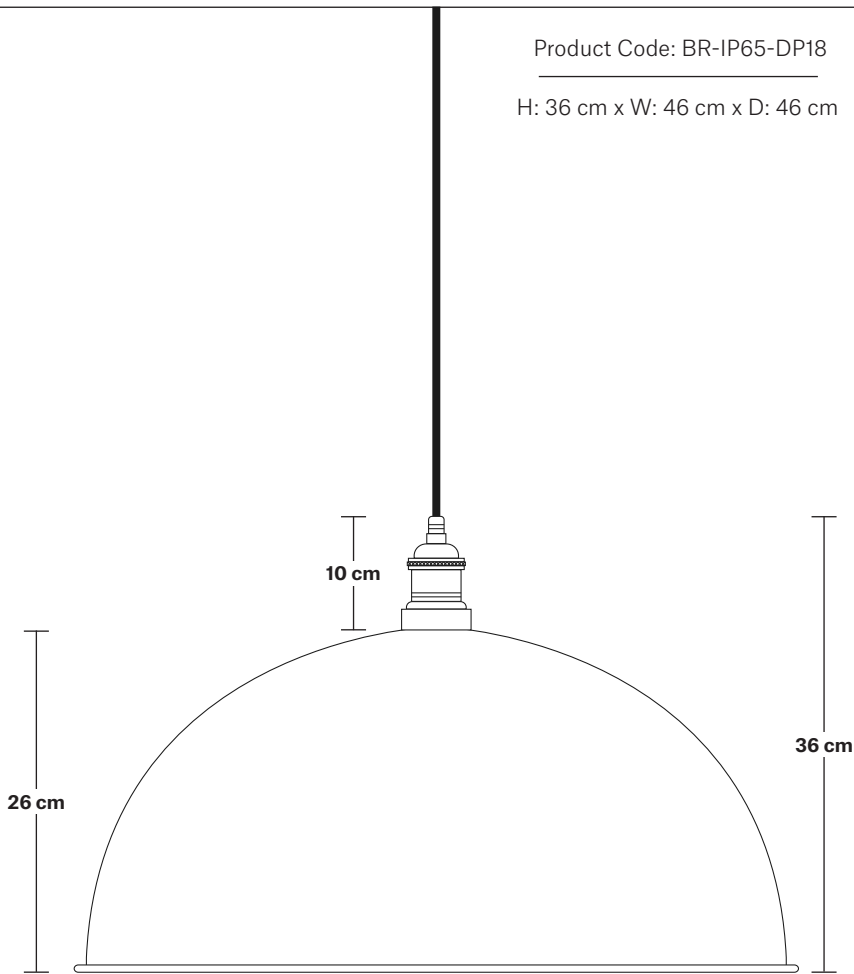
Ceiling Rose Diameter: 12 cm / 4.9"

Ceiling Rose Height: 2 cm / 0.8"

Brooklyn Outdoor & Bathroom Dome Pendant - 18 Inch

Product Code: BR-IP65-DP18

H: 36 cm x W: 46 cm x D: 46 cm



SPECIFICATIONS

We meet all UK and EU lighting and safety regulations.

Our products are hand finished to ensure an authentic vintage look and therefore they may vary slightly from those shown in the images.

Bulb required: Standard screw (E27) fitting, max 40W.

Shade weight: 2.1 kg | **Holder weight:** 0.8 kg

Maximum weight: 2.9 kg

INFORMATION

Finishes: Pewter & Copper.

Ready to be installed, installation required.

Wall mount screws not included.

Holders available: Brass, Pewter, Copper.

Flex: 1m Black Round Plastic Flex.

Ceiling rose: Pewter.

IP rating: IP65 with glass (Tube, Globe).

DIMENSIONS

Shade Diameter: 46 cm / 18"

Shade Height (no holder): 26 cm / 10"

Holder Diameter: 6 cm / 2.5"

Holder Height: 12.5 cm / 4.3"

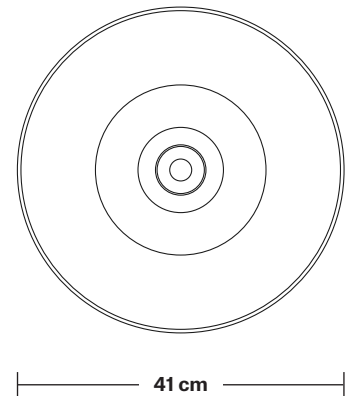
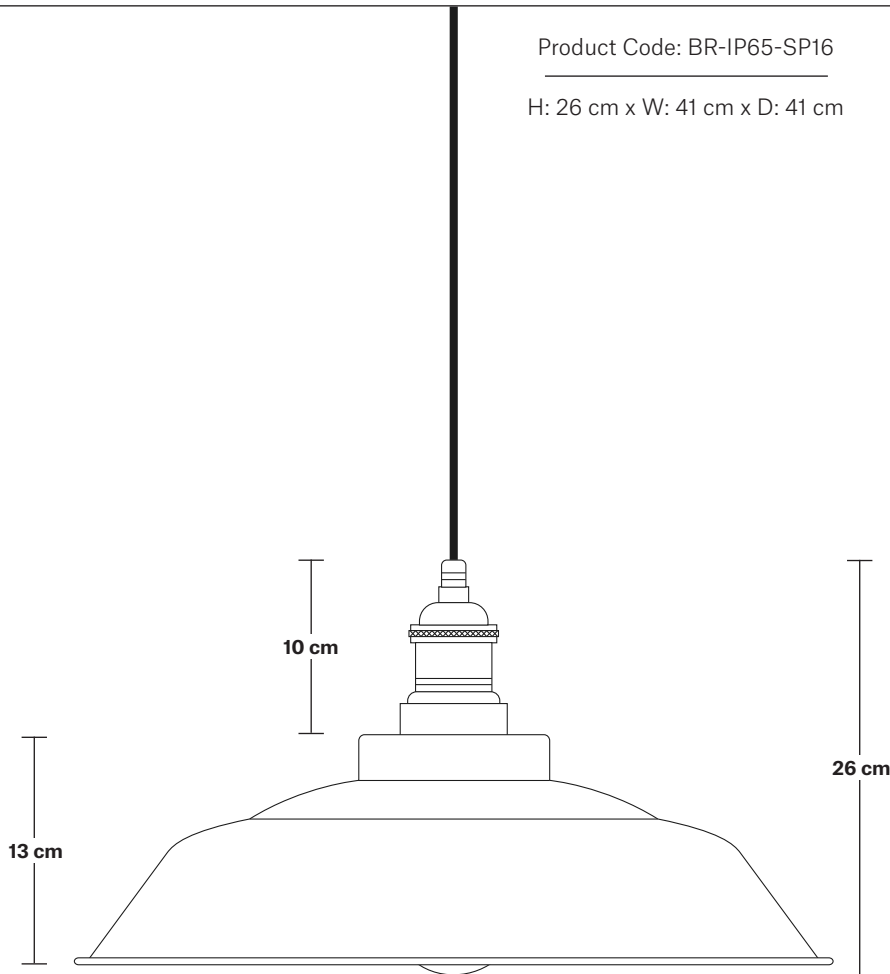
Ceiling Rose Diameter: 13.5 cm / 5.3"

Ceiling Rose Height: 3 cm / 1.2"

Brooklyn Outdoor & Bathroom Step Pendant - 16 Inch

Product Code: BR-IP65-SP16

H: 26 cm x W: 41 cm x D: 41 cm



SPECIFICATIONS

We meet all UK and EU lighting and safety regulations.

Our products are hand finished to ensure an authentic vintage look and therefore they may vary slightly from those shown in the images.

Bulb required: Standard screw (E27) fitting, max 40W.

Shade weight: 1.2 kg | **Holder weight:** 0.8 kg

Maximum weight: 2 kg

INFORMATION

Finishes: Brass.

Ready to be installed, installation required.

Wall mount screws not included.

Holders available: Brass, Pewter.

Ceiling Rose: Pewter.

IP rating: IP65 with glass (Tube, Globe).

DIMENSIONS

Shade Diameter: 41 cm / 16"

Shade Height (no holder): 13 cm / 5.1"

Holder Diameter: 6 cm / 2.5"

Holder Height: 12.5 cm / 4.3"

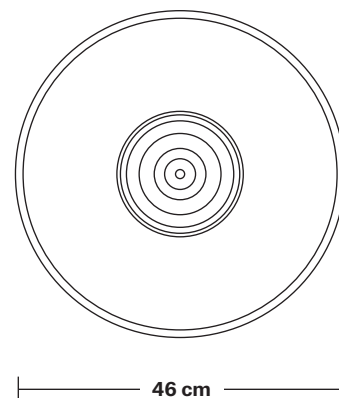
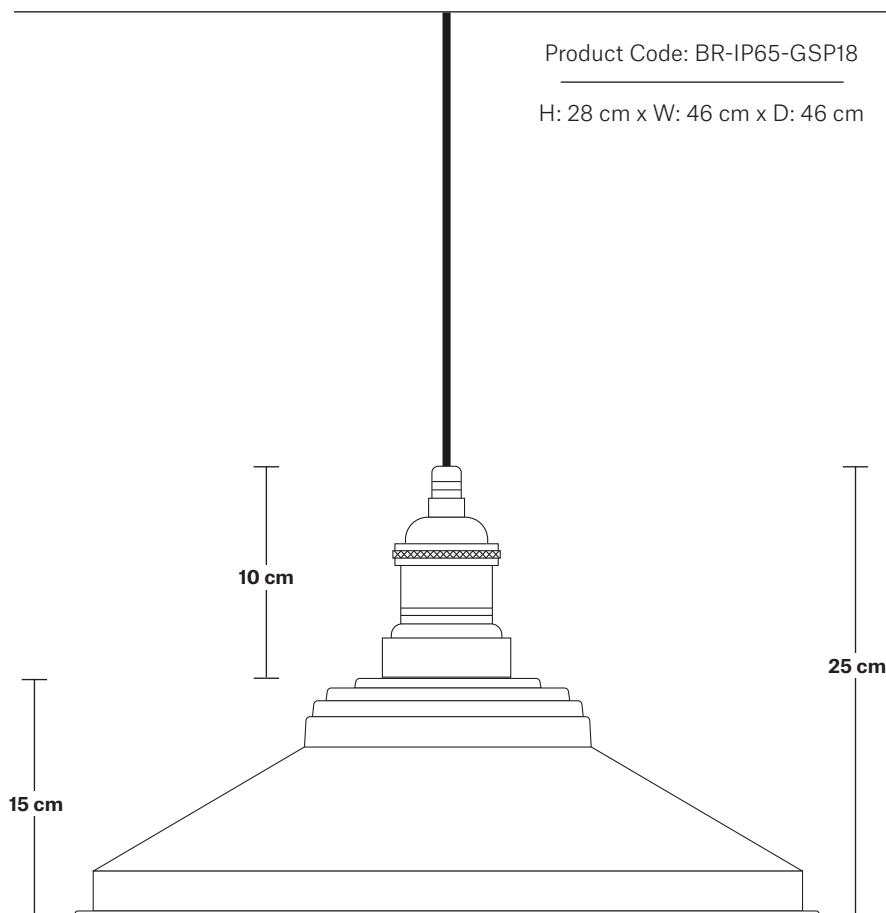
Ceiling Rose Diameter: 13.5 cm / 5.3"

Ceiling Rose Height: 3 cm / 1.2"

Brooklyn Outdoor & Bathroom Giant Step Pendant - 18 Inch

Product Code: BR-IP65-GSP18

H: 28 cm x W: 46 cm x D: 46 cm



SPECIFICATIONS

We meet all UK and EU lighting and safety regulations.

Our products are hand finished to ensure an authentic vintage look and therefore they may vary slightly from those shown in the images.

Bulb required: Standard screw (E27) fitting, max 40W.

Shade weight: 1.4 kg | **Holder weight:** 0.8 kg

Maximum weight: 2.2 kg

INFORMATION

Finishes: Brass.

Ready to be installed, installation required.

Wall mount screws not included.

Holders available: Brass, Pewter.

Flex: 1m Black Round Plastic Flex.

Ceiling Rose: Pewter.

IP rating: IP65 with glass (Tube, Globe).

DIMENSIONS

Shade Diameter: 46 cm / 18"

Shade Height (no holder): 15 cm / 6"

Holder Diameter: 6 cm / 2.5"

Holder Height: 12.5 cm / 4.3"

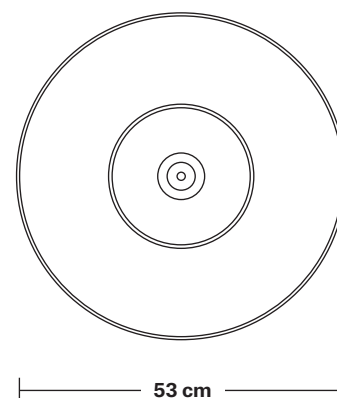
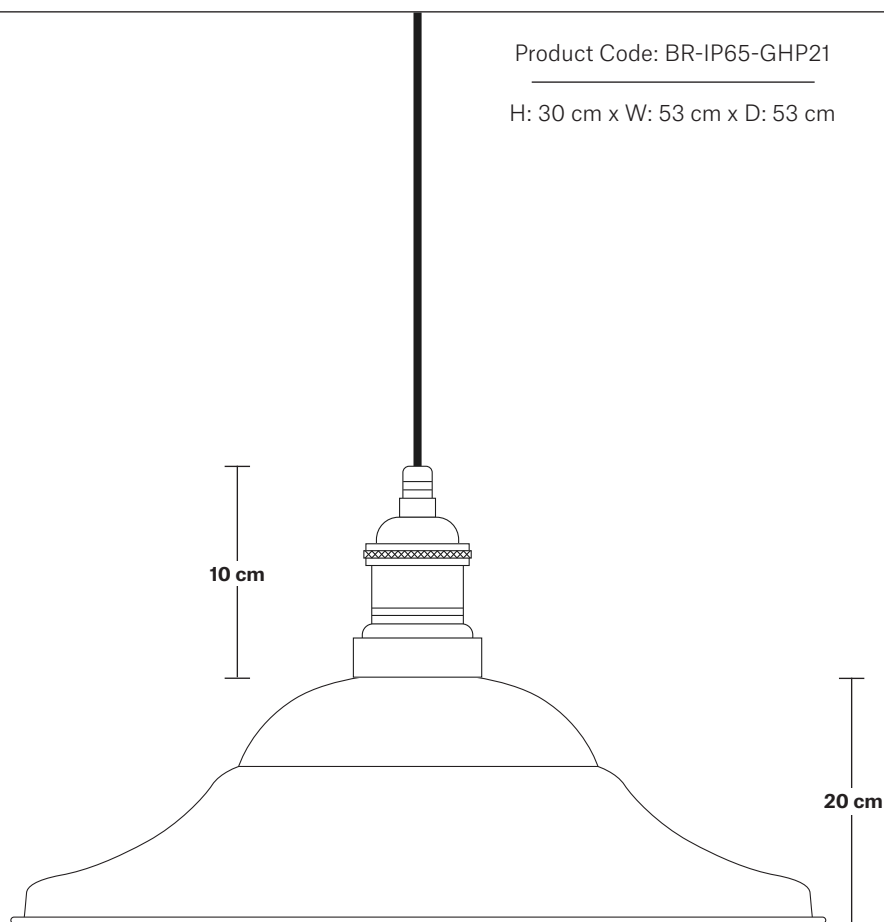
Ceiling Rose Diameter: 13.5 cm / 5.3"

Ceiling Rose Height: 3 cm / 1.2"

Brooklyn Outdoor & Bathroom Giant Hat Pendant - 21 Inch

Product Code: BR-IP65-GHP21

H: 30 cm x W: 53 cm x D: 53 cm



SPECIFICATIONS

We meet all UK and EU lighting and safety regulations.

Our products are hand finished to ensure an authentic vintage look and therefore they may vary slightly from those shown in the images.

Bulb required: Standard screw (E27) fitting, max 40W.

Shade weight: 1.8 kg | **Holder weight:** 0.8 kg

Maximum weight: 2.6 kg

INFORMATION

Finishes: Brass.

Ready to be installed, installation required.

Wall mount screws not included.

Holders available: Brass, Pewter.

Flex: 1m Black Round Plastic Flex.

Ceiling Rose: Pewter.

IP rating: IP65 with glass (Tube, Globe).

DIMENSIONS

Shade Diameter: 53 cm / 21"

Shade Height (no holder): 20 cm / 7.9"

Holder Diameter: 6 cm / 2.5"

Holder Height: 12.5 cm / 4.3"

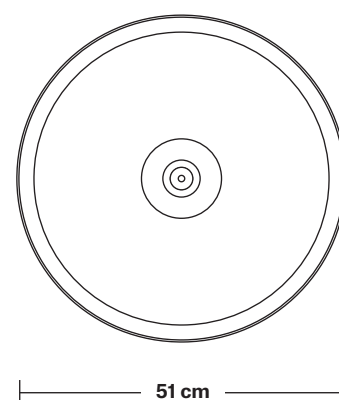
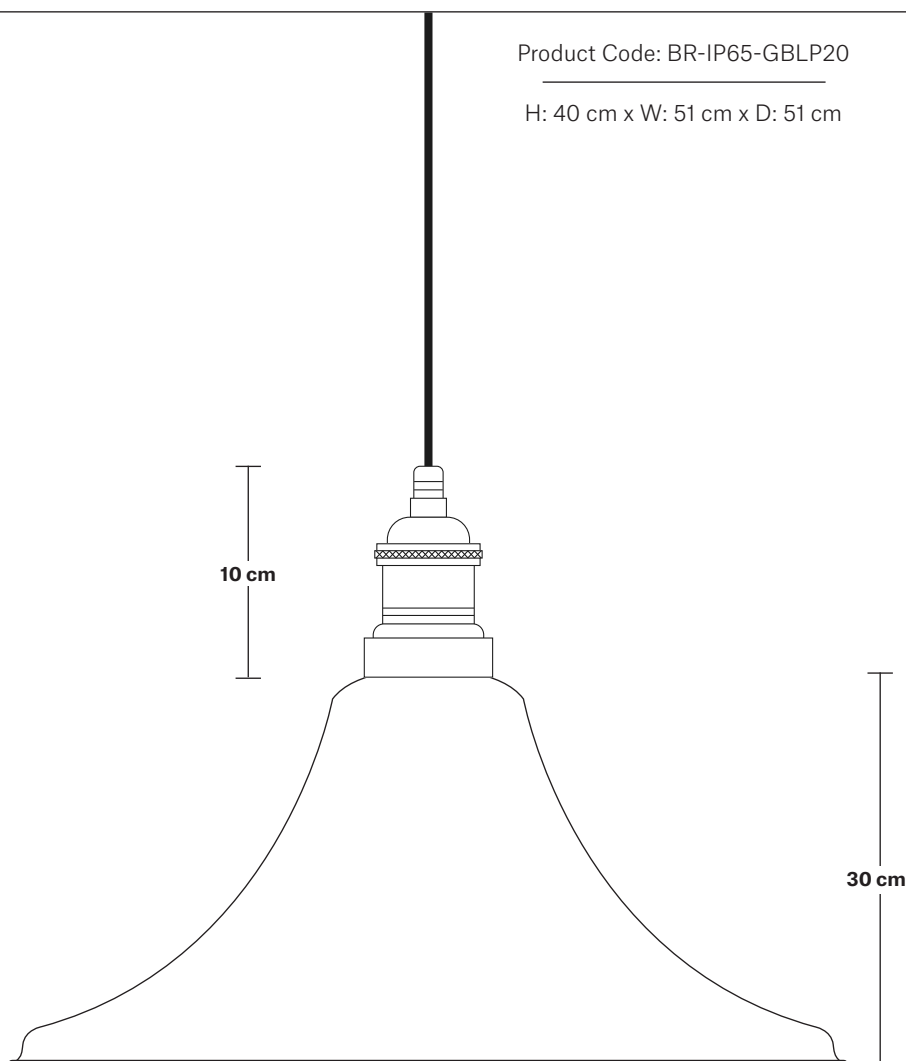
Ceiling Rose Diameter: 13.5 cm / 5.3"

Ceiling Rose Height: 3 cm / 1.2"

Brooklyn Outdoor & Bathroom Giant Bell Pendant - 20 Inch

Product Code: BR-IP65-GBLP20

H: 40 cm x W: 51 cm x D: 51 cm



SPECIFICATIONS

We meet all UK and EU lighting and safety regulations.

Our products are hand finished to ensure an authentic vintage look and therefore they may vary slightly from those shown in the images.

Bulb required: Standard screw (E27) fitting, max 40W.

Shade weight: 1.8 kg | **Holder weight:** 0.8 kg

Maximum weight: 2.6 kg

INFORMATION

Finishes: Brass.

Ready to be installed, installation required.

Wall mount screws not included.

Holders available: Brass, Pewter.

Flex: 1m Black Round Plastic Flex.

Ceiling Rose: Pewter.

IP rating: IP65 with glass (Tube, Globe).

DIMENSIONS

Shade Diameter: 51 cm / 20"

Shade Height (no holder): 30 cm / 11.8"

Holder Diameter: 6 cm / 2.5"

Holder Height: 12.5 cm / 4.3"

Ceiling Rose Diameter: 13.5 cm / 5.3"

Ceiling Rose Height: 3 cm / 1.2"

Orlando

These ceiling fittings are completely pre-wired and only require a small amount of assembly after connecting to the mains wiring:

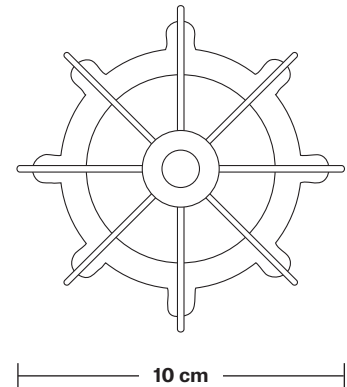
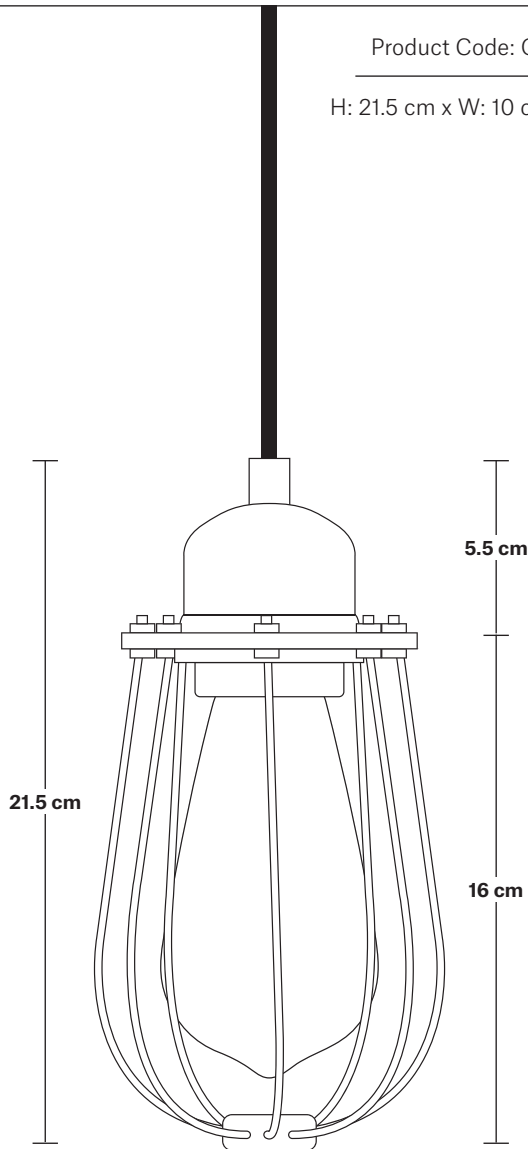
- Unscrew the nut/screw at the bottom of the cage; this will release the cage opening.
- Unscrew the two small nuts from the top of the cage opening.
- Hold the cage in place and begin to screw the black ring.
- Install the bulb through the cage opening.
- Screw back the two small nuts on top of the cage and then the nut/screw at the bottom of the cage.
- Once secure, it will hold the Cage to the holder, your Orlando Pendant is now installed.

Wire Cage ⁷⁶
Cylinder ⁷⁷

Orlando Wire Cage Pendant - 4 Inch

Product Code: OR-WCP4

H: 21.5 cm x W: 10 cm x D: 10 cm



SPECIFICATIONS

We meet all UK and EU lighting and safety regulations.

Our products are hand finished to ensure an authentic vintage look and therefore they may vary slightly from those shown in the images.

Bulb required: Standard screw (E27) fitting, max 40W.

Shade weight: 0.19 kg | **Holder weight:** 0.3 kg

Maximum weight: 0.49 kg

INFORMATION

Finishes: Brass, Pewter.

Ready to be installed, installation required.

Wall mount screws not included.

Holders available: Brass, Pewter.

Flex: 1m Black Round Fabric Flex.

Ceiling rose: Brass, Pewter.

DIMENSIONS

Shade Diameter: 10 cm / 4"

Shade Height (no holder): 16 cm / 6.3"

Holder Diameter: 7 cm / 2.8"

Holder Height: 6 cm / 2.4"

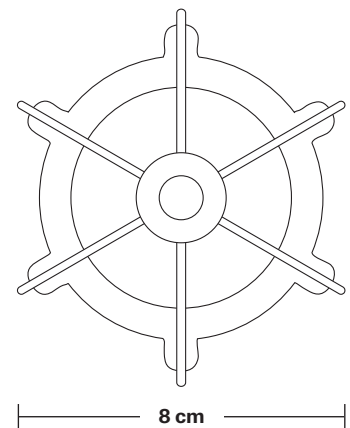
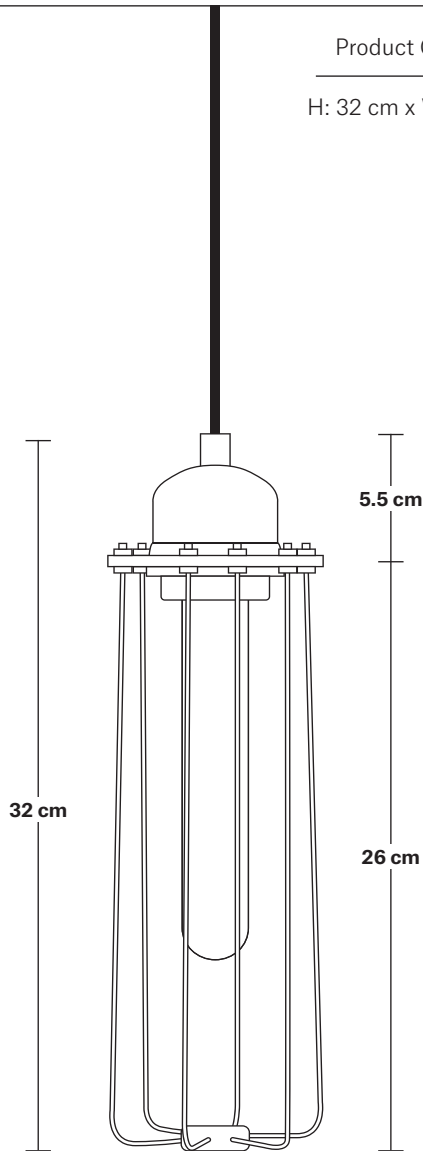
Ceiling Rose Diameter: 12 cm / 4.9"

Ceiling Rose Height: 4 cm / 1.6"

Orlando Cylinder Pendant - 3 Inch

Product Code: OR-CYP3

H: 32 cm x W: 8 cm x D: 8 cm



SPECIFICATIONS

We meet all UK and EU lighting and safety regulations.

Our products are hand finished to ensure an authentic vintage look and therefore they may vary slightly from those shown in the images.

Bulb required: Standard screw (E27) fitting, max 40W.

Shade weight: 0.3 kg | **Holder weight:** 0.2 kg

Maximum weight: 0.5 kg

INFORMATION

Finishes: Brass, Pewter.

Ready to be installed, installation required.

Wall mount screws not included.

Holders available: Brass, Pewter.

Flex: 1m Black Round Fabric Flex.

Ceiling rose: Brass, Pewter.

DIMENSIONS

Shade Diameter: 8 cm / 3.1"

Shade Height (no holder): 26 cm / 10.4"

Holder Diameter: 7 cm / 2.8"

Holder Height: 6 cm / 2.4"

Ceiling Rose Diameter: 12 cm / 4.9"

Ceiling Rose Height: 4 cm / 1.6"

Handcrafted

These ceiling fittings are completely pre-wired and only require a small amount of assembly after connecting to the mains wiring:

- Once the pendant holder is installed, unscrew the black ring.

- Hold the shade in place onto the holder.

- Once in place, begin to screw the black ring.

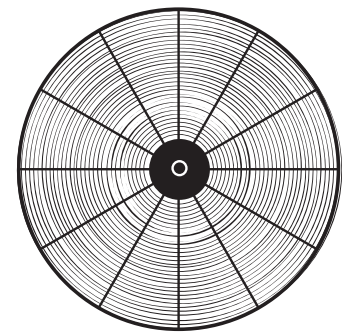
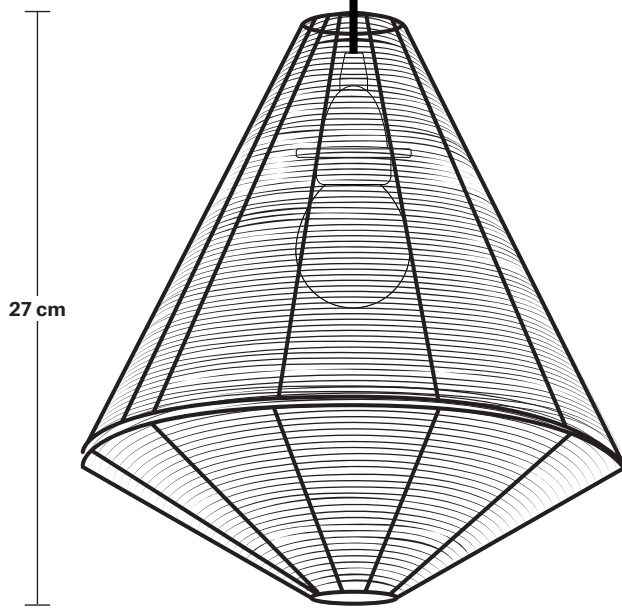
- Once secure, it will hold the shade to the holder, your Handcrafted Pendant is now installed.

Cone 80
Round 81
Drop 82

Handcrafted Wire Cage Pendant - Cone

Product Code: HC-WCP9-CN

H: 27 cm x W: 23 cm x D: 23 cm



SPECIFICATIONS

We meet all UK and EU lighting and safety regulations.

Our products are hand finished to ensure an authentic vintage look and therefore they may vary slightly from those shown in the images.

Bulb required: Standard screw (E27) fitting, max 40W.

Shade weight: 1.1 kg | **Holder weight:** 0.28 kg

Maximum weight: 1.38 kg

INFORMATION

Finishes: Pewter.

Ready to be installed, installation required.

Wall mount screws not included.

Holders available: Pewter.

Flex: 1m Black Round Fabric Flex.

Ceiling rose: Pewter.

DIMENSIONS

Shade Diameter: 23 cm / 9"

Shade Height (no holder): 27 cm / 10.6"

Holder Diameter: 6 cm / 2.8"

Holder Height: 7 cm / 4.3"

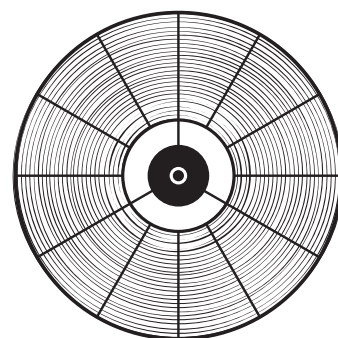
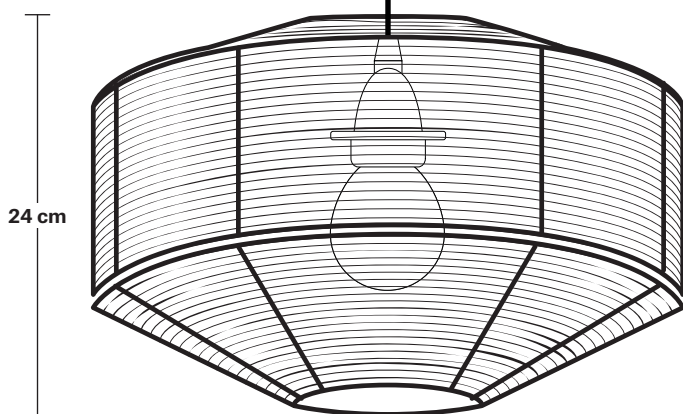
Ceiling Rose Diameter: 12 cm / 4.9"

Ceiling Rose Height: 2 cm / 0.8"

Handcrafted Wire Cage Pendant - Round

Product Code: HC-WCP11-RD

H: 24 cm x W: 28 cm x D: 28 cm



28 cm

SPECIFICATIONS

We meet all UK and EU lighting and safety regulations.

Our products are hand finished to ensure an authentic vintage look and therefore they may vary slightly from those shown in the images.

Bulb required: Standard screw (E27) fitting, max 40W.

Shade weight: 1.4 kg | **Holder weight:** 0.28 kg

Maximum weight: 1.68 kg

INFORMATION

Finishes: Pewter.

Ready to be installed, installation required.

Wall mount screws not included.

Holders available: Pewter.

Flex: 1m Black Round Fabric Flex.

Ceiling rose: Pewter.

DIMENSIONS

Shade Diameter: 28 cm / 11"

Shade Height (no holder): 24 cm / 9.3"

Holder Diameter: 6 cm / 2.8"

Holder Height: 7 cm / 4.3"

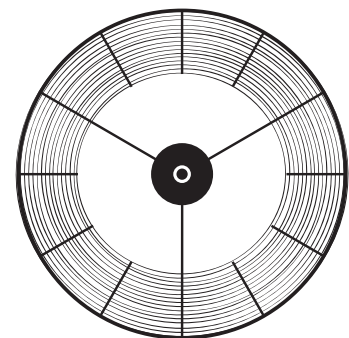
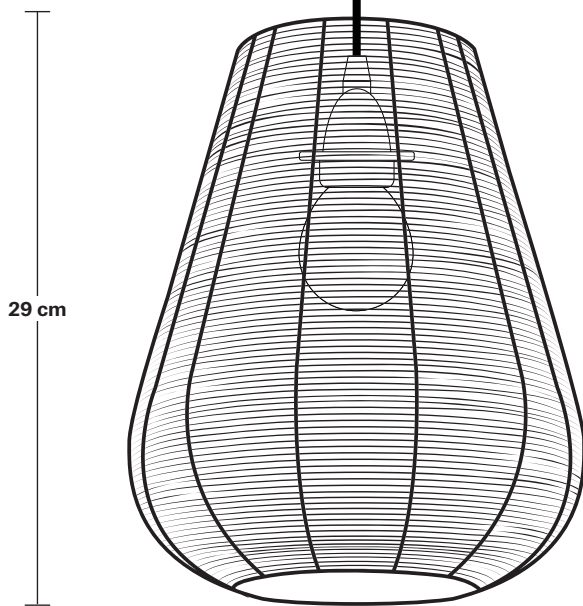
Ceiling Rose Diameter: 12 cm / 4.9"

Ceiling Rose Height: 2 cm / 0.8"

Handcrafted Wire Cage Pendant - Drop

Product Code: HC-WCP8-DR

H: 29 cm x W: 21 cm x D: 21 cm



SPECIFICATIONS

We meet all UK and EU lighting and safety regulations.

Our products are hand finished to ensure an authentic vintage look and therefore they may vary slightly from those shown in the images.

Bulb required: Standard screw (E27) fitting, max 40W.

Shade weight: 1.1 kg | **Holder weight:** 0.28 kg

Maximum weight: 1.38 kg

INFORMATION

Finishes: Pewter.

Ready to be installed, installation required.

Wall mount screws not included.

Holders available: Pewter.

Flex: 1m Black Round Fabric Flex.

Ceiling rose: Pewter.

DIMENSIONS

Shade Diameter: 21 cm / 8.3"

Shade Height (no holder): 29 cm / 11.6"

Holder Diameter: 6 cm / 2.8"

Holder Height: 7 cm / 4.3"

Ceiling Rose Diameter: 12 cm / 4.9"

Ceiling Rose Height: 2 cm / 0.8"



Retro

These ceiling fittings are completely pre-wired and only require a small amount of assembly after connecting to the mains wiring:

- Remove the hook from the threaded holder.
- Thread the holder through the shade.

- Re-thread the hook on top of the shade to hold the holder in place on the shade.

- Holding the shade carefully, begin the electrical installation.

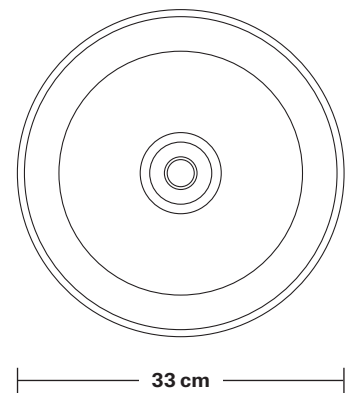
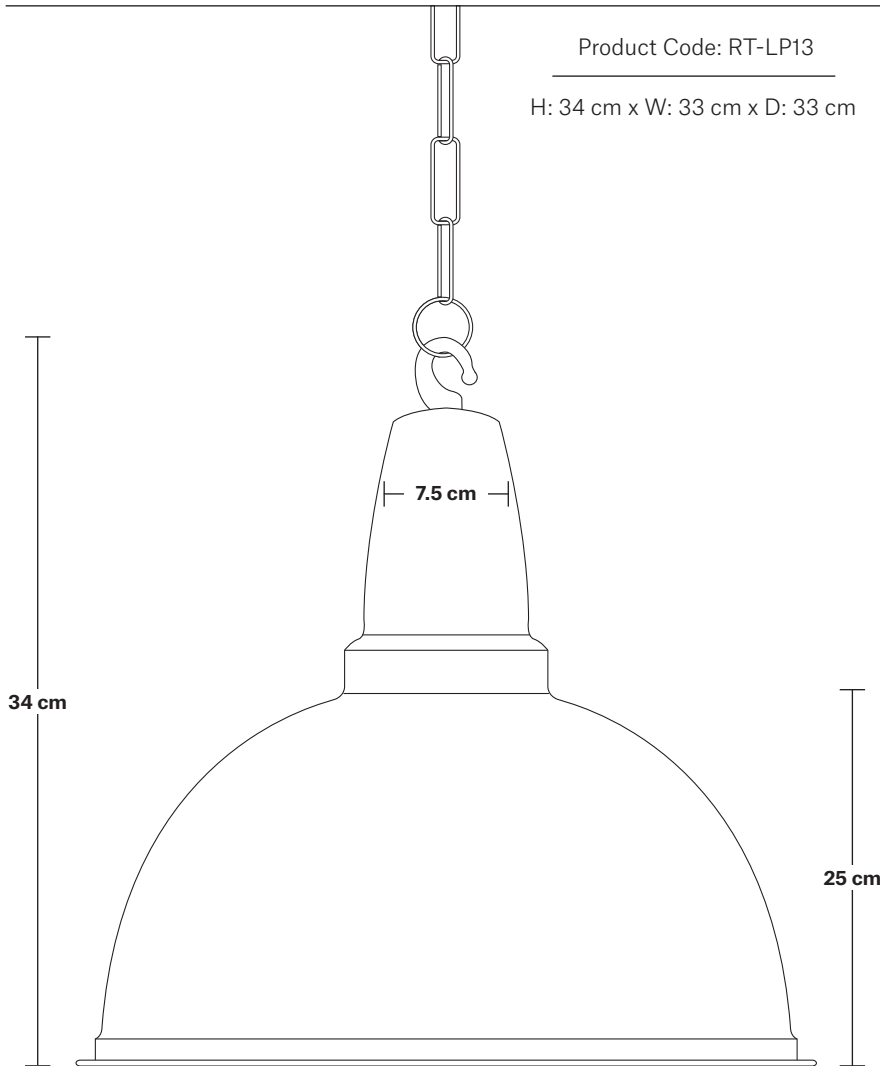
- Install the bulb, your Large Retro Pendant is now installed.

Large Retro ⁸⁶

Retro Large Pendant - 13 Inch

Product Code: RT-LP13

H: 34 cm x W: 33 cm x D: 33 cm



SPECIFICATIONS

We meet all UK and EU lighting and safety regulations.

Our products are hand finished to ensure an authentic vintage look and therefore they may vary slightly from those shown in the images.

Bulb required: Standard screw (E27) fitting, max 40W.

Shade weight: 0.54 kg | **Holder weight:** 0.6 kg

Maximum weight: 1.14 kg

INFORMATION

Finishes: Pewter.

Ready to be installed, installation required.

Wall mount screws not included.

Holders available: Pewter.

Flex: 1m Black Round Plastic Flex and 1m Chain.

Ceiling rose: Pewter.

DIMENSIONS

Shade Diameter: 33 cm / 13"

Shade Height (no holder): 34 cm / 13.4"

Holder Diameter: 5 cm / 2"

Holder Height: 6 cm / 2.4"

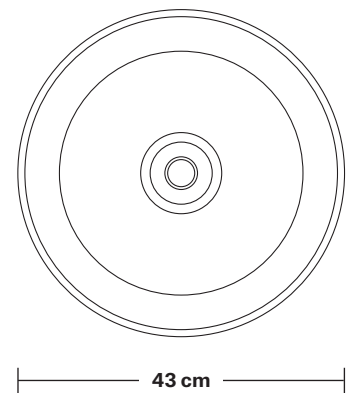
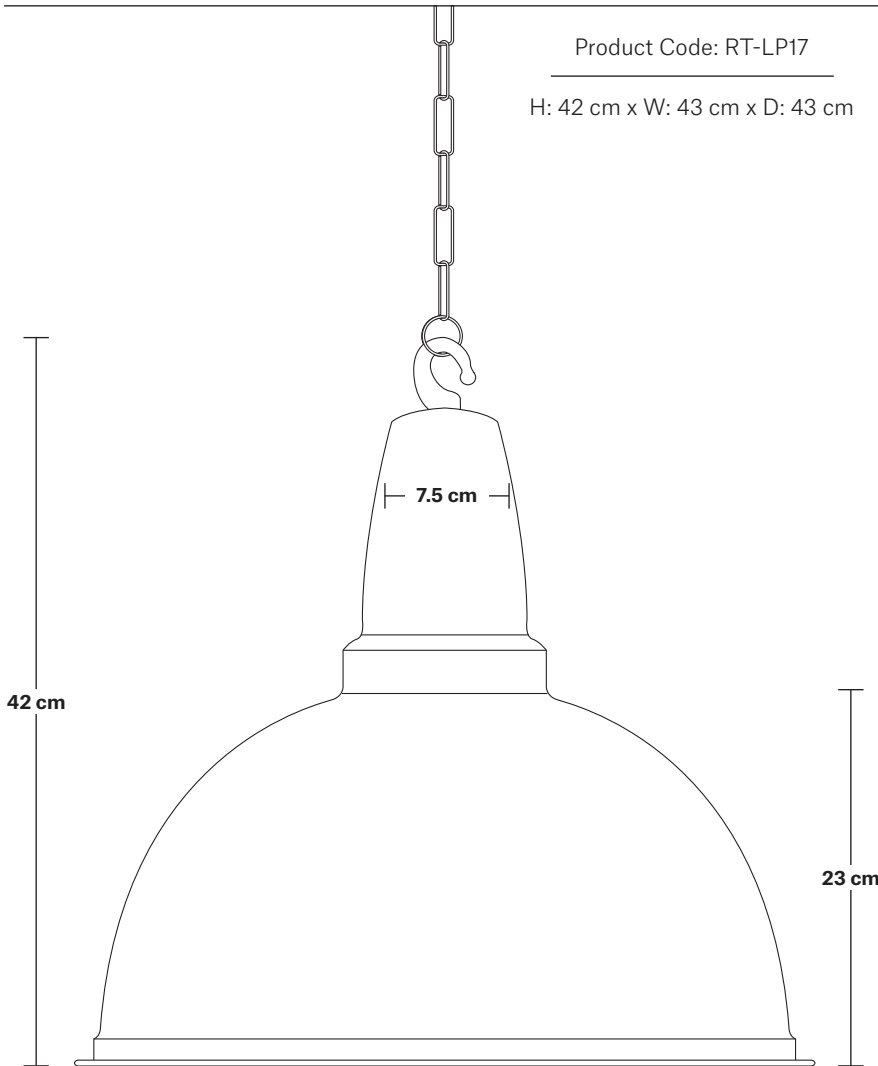
Ceiling Rose Diameter: 13 cm / 5.1"

Ceiling Rose Height: 7 cm / 2.8"

Retro Large Pendant - 17 Inch

Product Code: RT-LP17

H: 42 cm x W: 43 cm x D: 43 cm



SPECIFICATIONS

We meet all UK and EU lighting and safety regulations.

Our products are hand finished to ensure an authentic vintage look and therefore they may vary slightly from those shown in the images.

Bulb required: Standard screw (E27) fitting, max 40W.

Shade weight: 1.7 kg | **Holder weight:** 0.6 kg

Maximum weight: 2.3 kg

INFORMATION

Finishes: Brass, Pewter, Black.

Ready to be installed, installation required.

Wall mount screws not included.

Holders available: Chrome, Pewter.

Flex: 1m Black Round Plastic Flex and 1m Chain.

Ceiling rose: Chrome, Pewter.

DIMENSIONS

Shade Diameter: 43 cm / 17"

Shade Height (no holder): 42 cm / 16.5"

Holder Diameter: 5 cm / 2"

Holder Height: 6 cm / 2.4"

Ceiling Rose Diameter: 13 cm / 5.1"

Ceiling Rose Height: 7 cm / 2.8"

Retro

These ceiling fittings are completely pre-wired and only require a small amount of assembly after connecting to the mains wiring:

- Once the pendant holder is installed, unscrew the nuts and bolts.
- Hold the shade in place onto the holder lining up the holes from the holder to the shade.

- Once in place, begin to screw the nuts and bolts.

- Once secure it will hold the shade to the holder, your Retro Enamel Pendant is now installed.

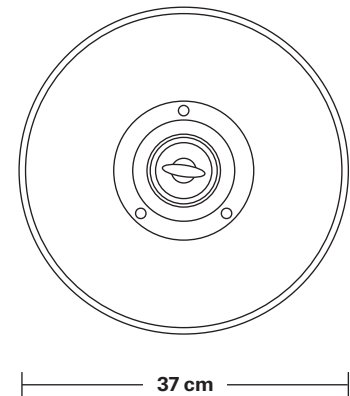
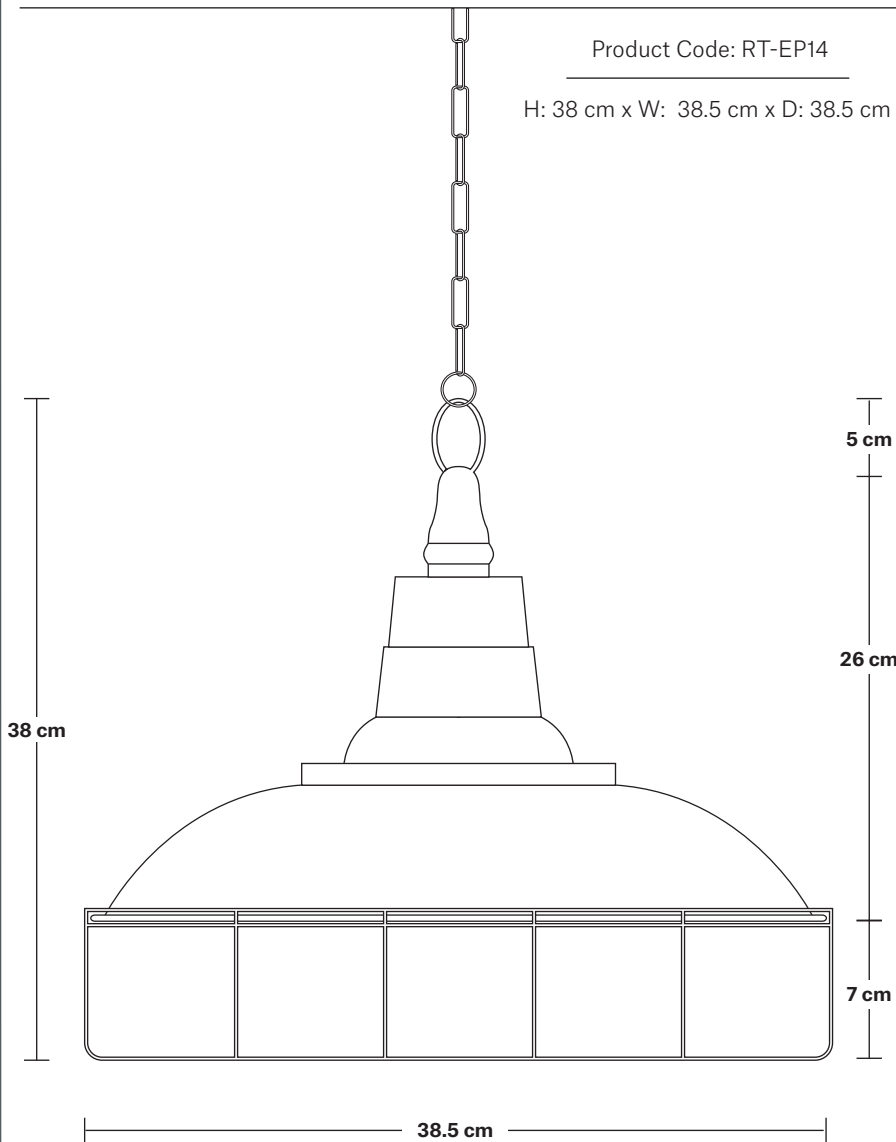
- You can now install the bulb and attach the cage (optional).

Retro Enamel ⁹⁰

Retro Enamel Pendant - 14 Inch

Product Code: RT-EP14

H: 38 cm x W: 38.5 cm x D: 38.5 cm



SPECIFICATIONS

We meet all UK and EU lighting and safety regulations.

Our products are hand finished to ensure an authentic vintage look and therefore they may vary slightly from those shown in the images.

Bulb required: Standard screw (E27) fitting, max 40W.

Shade weight: 0.5 kg | **Holder weight:** 1 kg

Cage Weight: 0.3 kg | **Max weight:** 1.8 kg

INFORMATION

Finishes: Pewter, Orange, Light Grey.

Ready to be installed, installation required.

Wall mount screws not included.

Holders available: Chrome.

Flex: 1m Black Round Plastic Flex and 1m Chain.

Ceiling rose: Chrome.

DIMENSIONS

Shade Diameter: 37 cm / 14.6"

Shade Height (no holder): 5 cm / 2"

Holder Diameter: 14 cm / 5.5"

Holder Height: 6 cm / 2.4"

Ceiling Rose Diameter: 13 cm / 5"

Ceiling Rose Height: 7 cm / 2.8"

Cage Diameter: 38.5 cm / 15.2"



Bulkhead

These ceiling fittings are completely pre-wired and only require a small amount of assembly after connecting to the mains wiring:

Caution - Fragile item, extra care needed when installing.

- The front guard is secured by two nuts either side of the bulkhead, unscrew these nuts in order to install the bulb.

- Once installed, screw in the glass cover, taking extra care not to screw too tightly and not using too much force.

- Holding the front guard back into place, screw back the two nuts taking extra care when handling the glass.

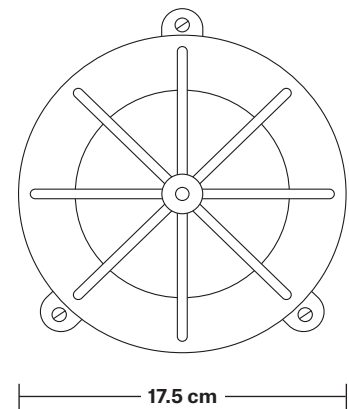
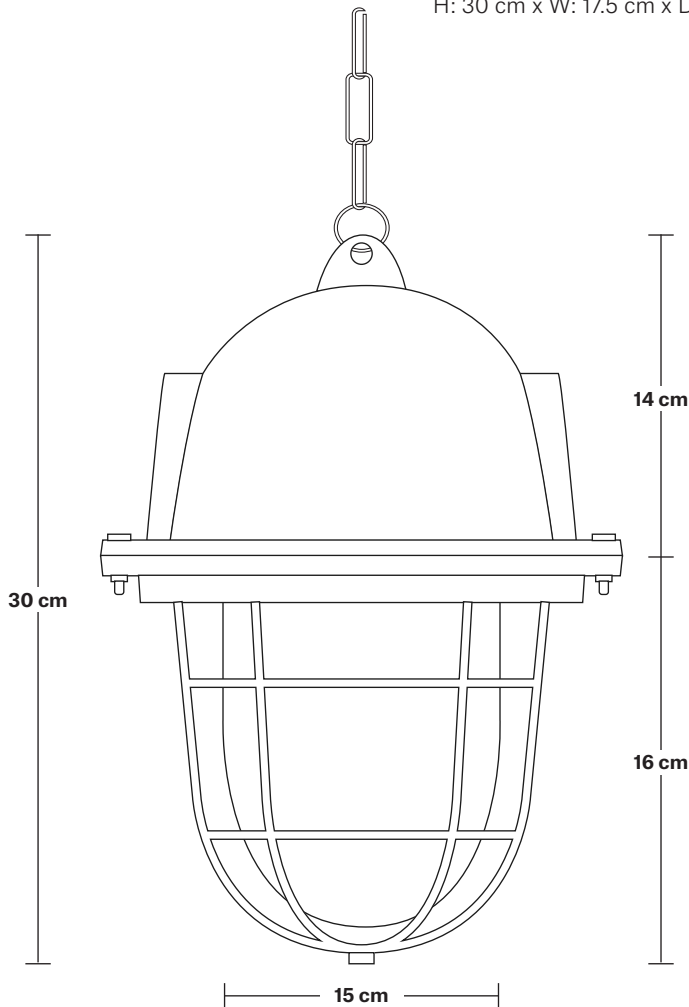
- Once secure, your Bulkhead Pendant is now installed.

Cage 94

Bulkhead Cage Pendant - 11 Inch

Product Code: BK-CGP11

H: 30 cm x W: 17.5 cm x D: 17.5 cm



SPECIFICATIONS

We meet all UK and EU lighting and safety regulations.

Our products are hand finished to ensure an authentic vintage look and therefore they may vary slightly from those shown in the images.

Bulb required: Standard screw (E27) fitting, max 40W.

Glass weight: 0.33 kg | **Shade weight:** 1.48 kg

INFORMATION

Finishes: Gunmetal.

Ready to be installed, installation required.

Wall mount screws not included.

Flex: 1m Black Round Plastic Flex and 1m Chain.

DIMENSIONS

Shade Diameter: 17.5 cm / 6.9"

Shade Height (no holder): 30 cm / 11.8"

Ceiling Rose Diameter: 13 cm / 5"

Ceiling Rose Height: 2 cm / 0.8"



Bulkhead

These ceiling fittings are completely pre-wired and only require installation of the bulb.

- Ensure that the power supply has been disconnected.

- Remove the glass cover by unscrewing the two screws either sides of the fitting.

- Screw the bulb into place.

- Hold the glass cover back into place.

- Once in place, begin to screw back the two side screws.

- Once secure your Motorcycle Pendant is now installed.

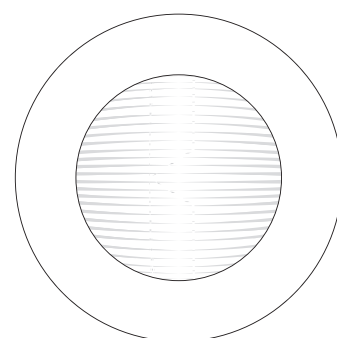
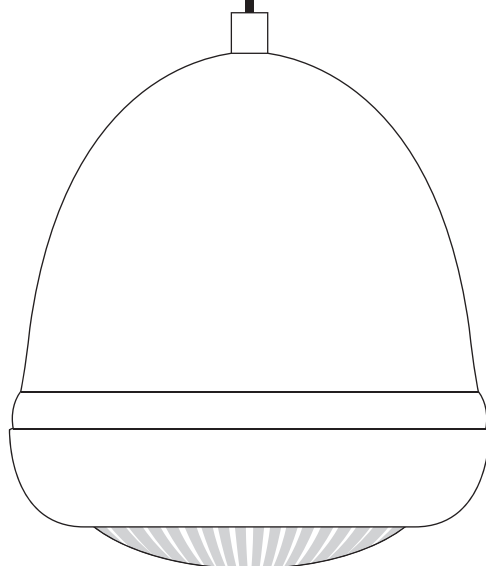
Motorcycle 98

Bulkhead Motorcycle Pendant - 6 Inch

Product Code: BK-MP6

H: 21 cm x W: 17 cm x D: 17 cm

17 cm



17 cm

SPECIFICATIONS

We meet all UK and EU lighting and safety regulations.

Our products are hand finished to ensure an authentic vintage look and therefore they may vary slightly from those shown in the images.

Bulb required: Standard screw (E27) fitting, max 40W.

Glass weight: 0.12 kg | **Shade weight:** 1.6 kg

Maximum weight: 1.72 kg

INFORMATION

Finishes: Gunmetal.

Ready to be installed, installation required.

Wall mount screws not included.

Flex: 1m Red Round Fabric Flex.

DIMENSIONS

Shade Diameter: 17 cm / 6.7"

Shade Height (no holder): 17 cm / 6.7"

Height incl shade: 21 cm / 8.3"

Ceiling Rose Diameter: 13 cm / 5"

Ceiling Rose Height: 2 cm / 0.8"



Old Factory

These ceiling fittings are completely pre-wired and only require a small amount of assembly after connecting to the mains wiring:

- Once the pendant holder is installed, unscrew the metal silver ring.

- Hold the shade in place onto the holder.

- Once in place, begin to screw the silver ring.

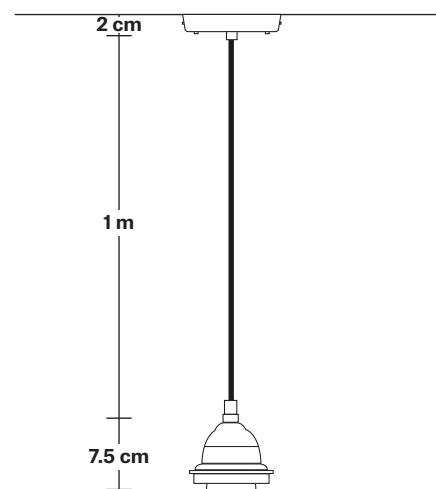
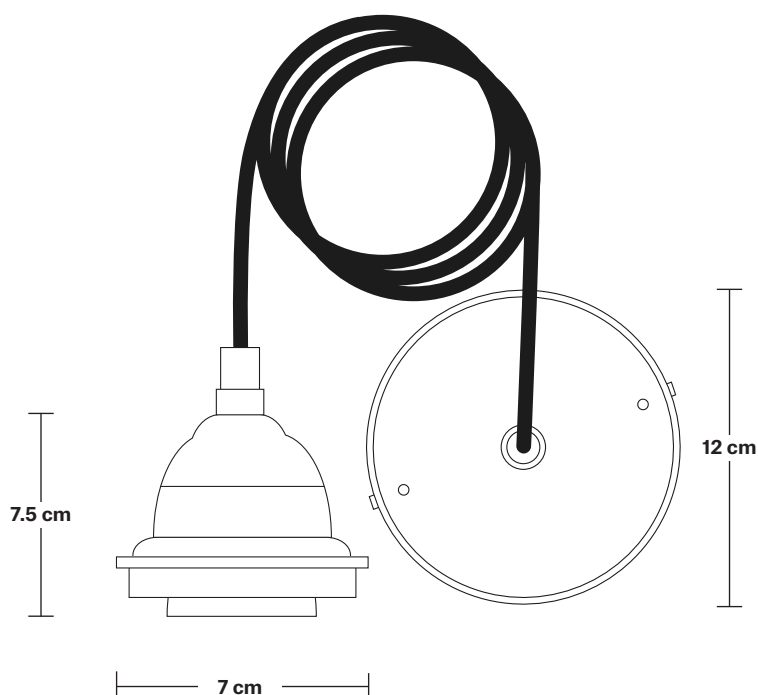
- Once secure, it will hold the shade to the holder, your Old Factory Pendant is now installed.

Heat Cord Set ¹⁰²
Pendant - 12 Inch ¹⁰³
Slotted - 15 Inch ¹⁰⁴

Old Factory Cord Set ES E27 Bulb Holder

Product Code: OF-CS

H: 109.5 cm x W: 12 cm x D: 12 cm



SPECIFICATIONS

We meet all UK and EU lighting and safety regulations.

Our products are hand finished to ensure an authentic vintage look and therefore they may vary slightly from those shown in the images.

Bulb required: Standard screw (E27) fitting, max 40W.

Weight: 0.5 kg

INFORMATION

Finishes: Aluminium.

Ready to be installed, installation required.

Wall mount screws not included.

Ceiling rose: Aluminium.

Flex: 1m Brown, Grey or Black Round Fabric Flex.

DIMENSIONS

Bulb Holder Diameter: 7 cm / 2.7"

Bulb Holder Height: 7.5 cm / 2.9"

Ceiling Rose Diameter: 12 cm / 4.7"

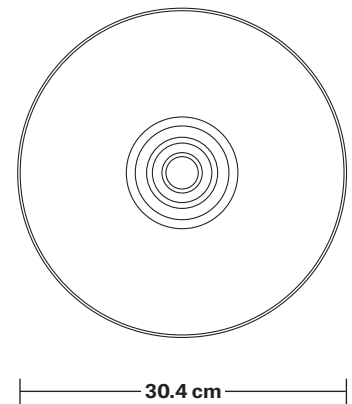
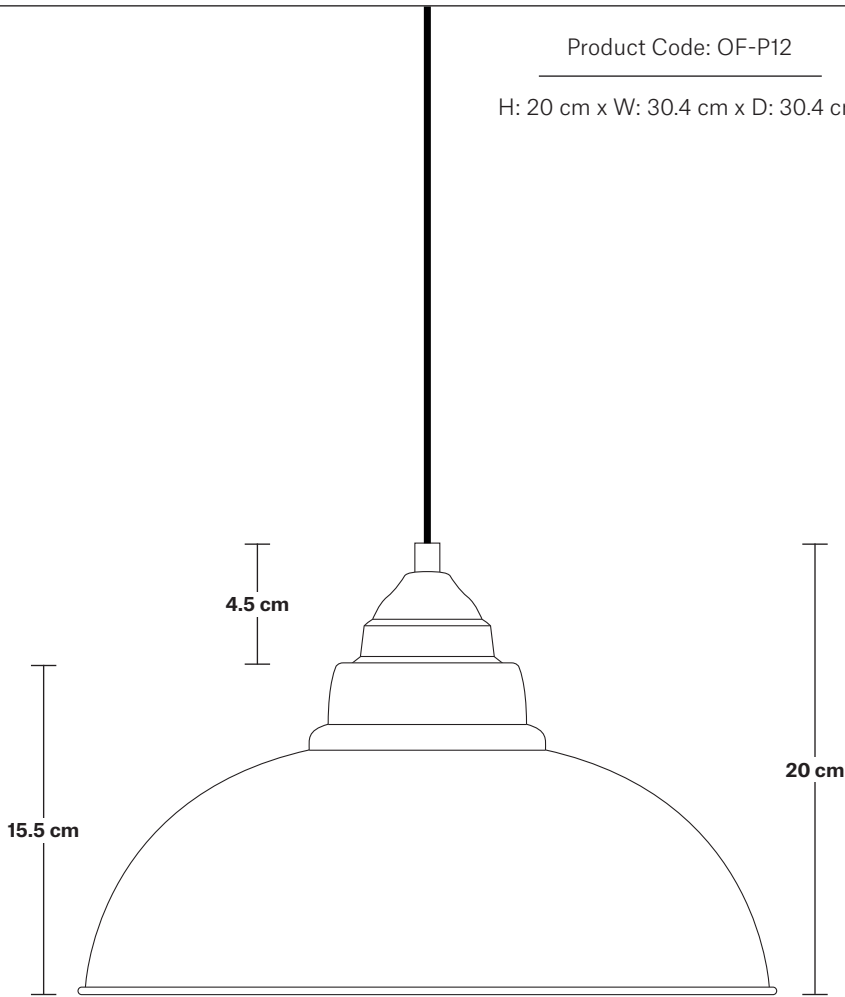
Ceiling Rose Height: 2 cm / 0.8"

Full Drop: 109.5 cm / 43.1"

Old Factory Pendant - 12 Inch

Product Code: OF-P12

H: 20 cm x W: 30.4 cm x D: 30.4 cm



SPECIFICATIONS

We meet all UK and EU lighting and safety regulations.

Our products are hand finished to ensure an authentic vintage look and therefore they may vary slightly from those shown in the images.

Bulb required: Standard screw (E27) fitting, max 40W.

Shade weight: 0.9 kg | **Holder weight:** 0.5 kg

Maximum weight: 1.4 kg

INFORMATION

Finishes: Brass, Pewter, Light Pewter, Copper, Copper & Pewter, Brass & Pewter.

Ready to be installed, installation required.

Wall mount screws not included.

Holders available: Aluminium.

Flex: 1m Brown, Grey or Black Round Fabric Flex.

Ceiling rose: Aluminium.

DIMENSIONS

Shade Diameter: 30.4 cm / 12"

Shade Height (no holder): 15.5 cm / 6"

Holder Diameter: 8 cm / 3.1"

Holder Height: 8 cm / 3.1"

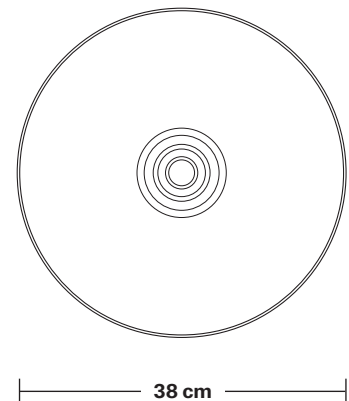
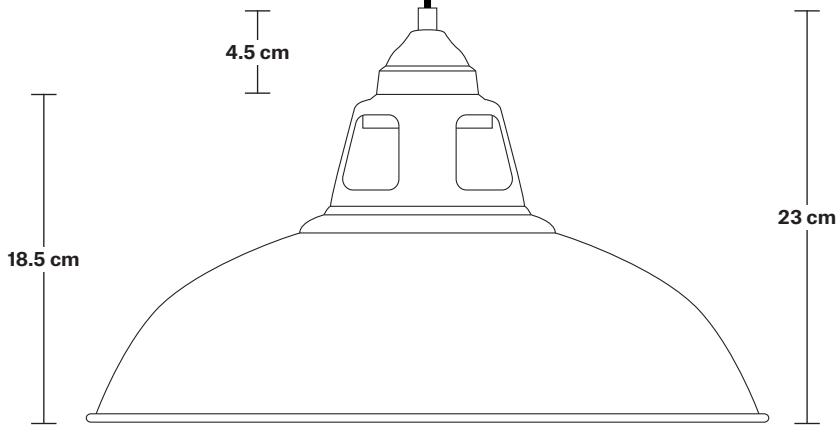
Ceiling Rose Diameter: 12 cm / 4.7"

Ceiling Rose Height: 7 cm / 2.8"

Old Factory Slotted Pendant - 15 Inch

Product Code: OF-SLP15

H: 23 cm x W: 38 cm x D: 38 cm



SPECIFICATIONS

We meet all UK and EU lighting and safety regulations.

Our products are hand finished to ensure an authentic vintage look and therefore they may vary slightly from those shown in the images.

Bulb required: Standard screw (E27) fitting, max 40W.

Shade weight: 1 kg | **Holder weight:** 0.5 kg

Max weight: 2 kg

INFORMATION

Finishes: Pewter, Copper, Copper & Pewter.

Ready to be installed, installation required.

Wall mount screws not included.

Holders available: Aluminium.

Flex: 1m Brown, Grey or Black Round Fabric Flex.

Ceiling rose: Aluminium.

DIMENSIONS

Shade Diameter: 38 cm / 15"

Shade Height (no holder): 18.5 cm / 7.3"

Holder Diameter: 8 cm / 3.2"

Holder Height: 8 cm / 3.2"

Ceiling Rose Diameter: 12 cm / 4.8"

Ceiling Rose Height: 2 cm / 0.8"



Old Factory Heat

These ceiling fittings are completely pre-wired and only require a small amount of assembly after connecting to the mains wiring:

Caution - VERY HOT. Fitting should ALWAYS be away from arms length.

- Once the pendant holder is installed, unscrew the black ring.

- Hold the shade in place.

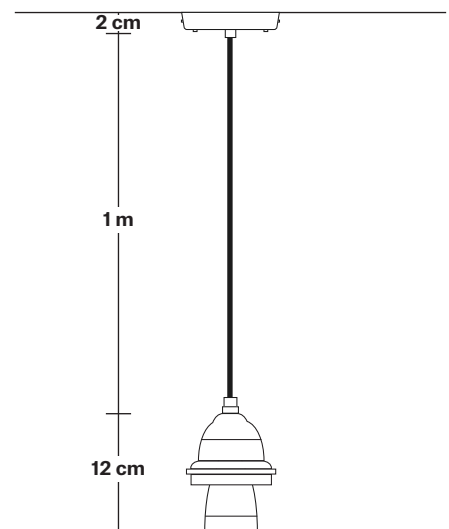
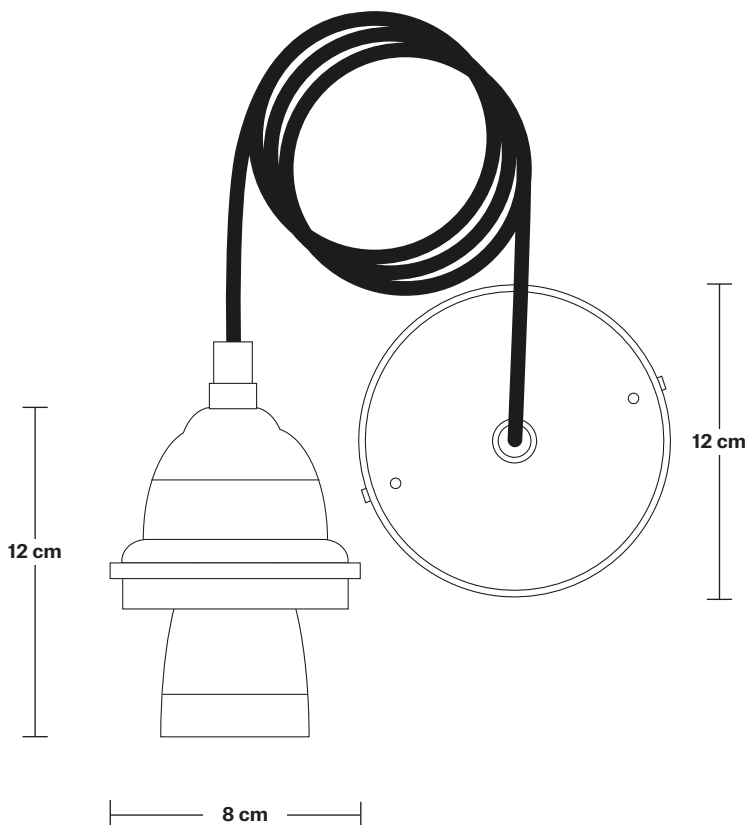
- Once in place, begin to screw the black ring.

Heat Cord Set ¹⁰⁸
Pendant - 12 Inch ¹⁰⁹
Slotted - 15 Inch ¹¹⁰

Old Factory Heat Cord Set ES E27 Bulb Holder

Product Code: OF-HCS-BK-LP

H: 114 cm x W: 12 cm x D: 12 cm



SPECIFICATIONS

We meet all UK and EU lighting and safety regulations.

Our products are hand finished to ensure an authentic vintage look and therefore they may vary slightly from those shown in the images.

Bulb required: Standard screw (E27) fitting, max 250W.

Weight: 0.5 kg

INFORMATION

Finishes: Aluminium.

Ready to be installed, installation required.

Wall mount screws not included.

Ceiling rose: Aluminium.

Flex: 1m Black Round Plastic Flex.

DIMENSIONS

Bulb Holder Diameter: 8 cm / 3.1"

Bulb Holder Height: 12 cm / 4.7"

Ceiling Rose Diameter: 12 cm / 4.7"

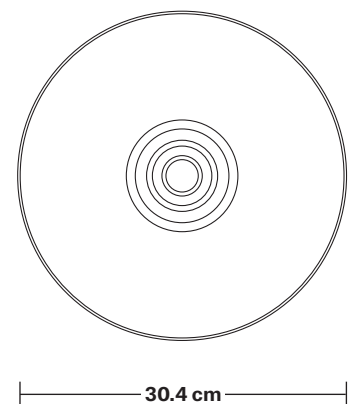
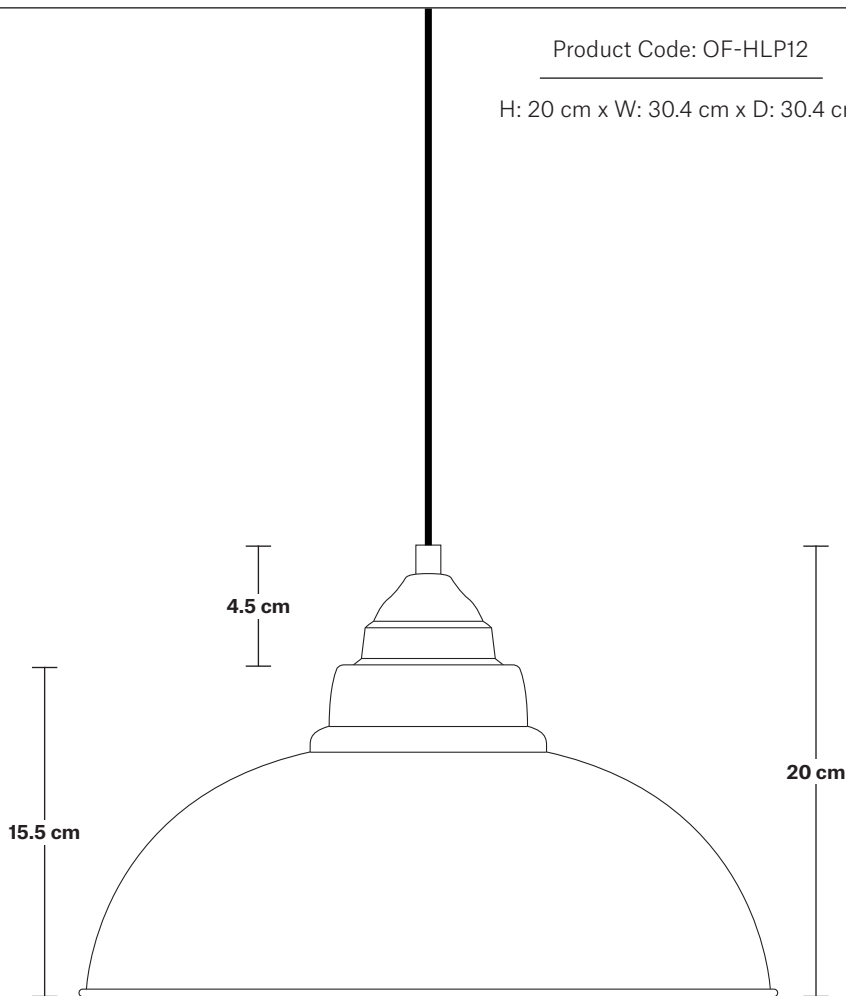
Ceiling Rose Height: 2 cm / 0.8"

Full Drop: 114 cm / 44.8"

Old Factory Heat Pendant - 12 Inch

Product Code: OF-HLP12

H: 20 cm x W: 30.4 cm x D: 30.4 cm



SPECIFICATIONS

We meet all UK and EU lighting and safety regulations.

Our products are hand finished to ensure an authentic vintage look and therefore they may vary slightly from those shown in the images.

Bulb required: Standard screw (E27) fitting, max 250W.

Shade weight: 0.9 kg | **Holder weight:** 0.5 kg

Heat Bulb: 0.5 kg | **Max weight:** 1.9 kg

INFORMATION

Finishes: Brass, Pewter, Light Pewter, Copper, Copper & Pewter, Brass & Pewter.

Ready to be installed, installation required.

Wall mount screws not included.

Holders available: Aluminium.

Flex: 1m Black Round Plastic Flex.

Ceiling rose: Aluminium.

DIMENSIONS

Shade Diameter: 30.4 cm / 12"

Shade Height (no holder): 15.5 cm / 6"

Holder Diameter: 8 cm / 3.1"

Holder Height: 8 cm / 3.1"

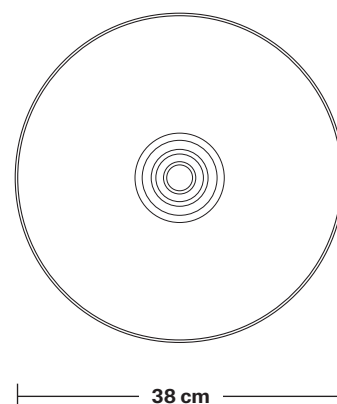
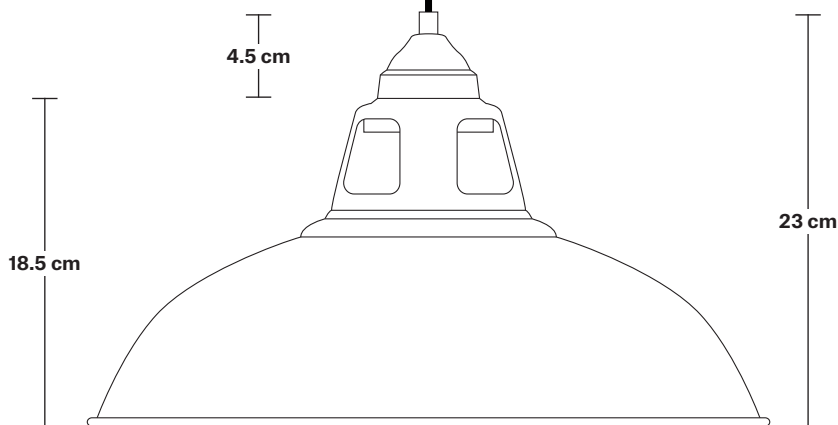
Ceiling Rose Diameter: 12 cm / 4.7"

Ceiling Rose Height: 7 cm / 2.8"

Old Factory Slotted Heat Lamp Pendant - 15 Inch

Product Code: OF-HLP15

H: 23 cm x W: 38 cm x D: 38 cm



SPECIFICATIONS

We meet all UK and EU lighting and safety regulations.

Our products are hand finished to ensure an authentic vintage look and therefore they may vary slightly from those shown in the images.

Bulb required: Standard screw (E27) fitting, max 250W.

Shade weight: 1 kg | **Holder weight:** 0.5 kg

Heat Bulb: 0.5 kg | **Max weight:** 2 kg

INFORMATION

Finishes: Pewter, Copper, Copper & Pewter.

Ready to be installed, installation required.

Wall mount screws not included.

Holders available: Aluminium.

Flex: 1m Black Round Plastic Flex.

Ceiling rose: Aluminium.

DIMENSIONS

Shade Diameter: 38 cm / 15"

Shade Height (no holder): 18.5 cm / 7.3"

Holder Diameter: 8 cm / 3.2"

Holder Height: 8 cm / 3.2"

Ceiling Rose Diameter: 12 cm / 4.8"

Ceiling Rose Height: 2 cm / 0.8"



Sleek

These ceiling fittings are completely pre-wired and only require a small amount of assembly after connecting to the mains wiring:

- Remove the threaded chord grip from on top of the shade.
- Thread the holder through the globe.

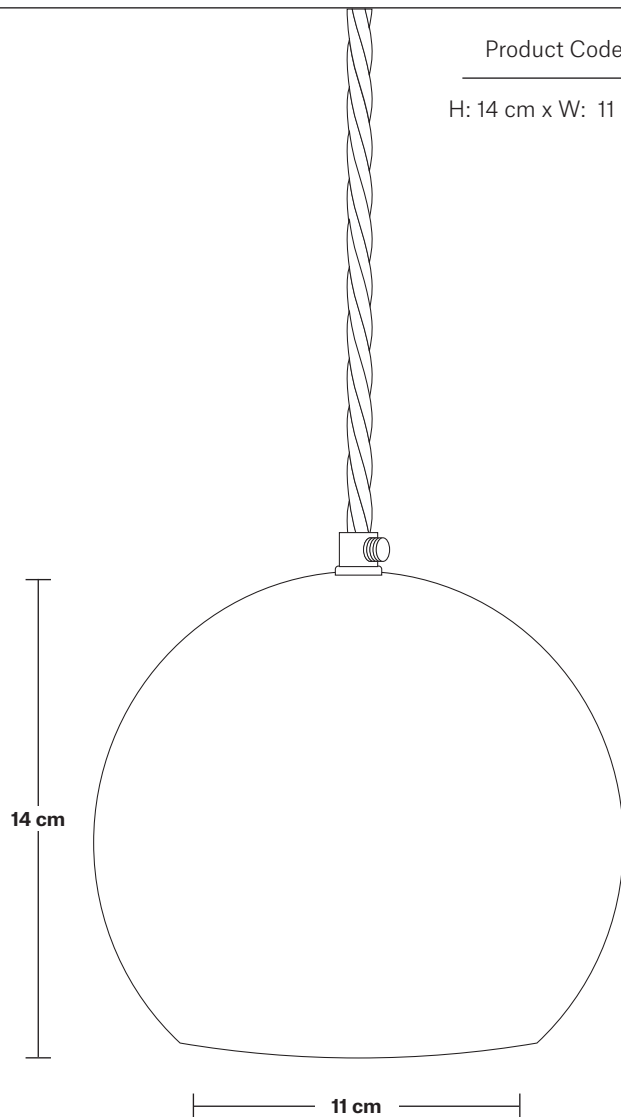
- Re-thread the chord grip on top of the globe to hold the holder in place on the globe.

- Holding the globe carefully, begin the electrical installation.

- Install the bulb, your Globe Pendant is now installed.

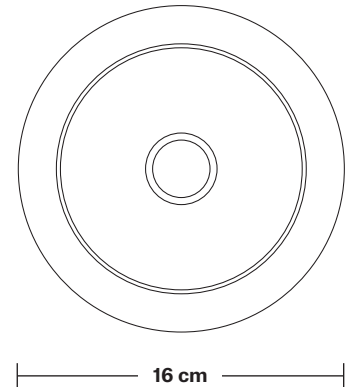
Globe ¹¹⁴

The Globe Collection Pendant Light



Product Code: SL-GLP

H: 14 cm x W: 11 cm x D: 11 cm



SPECIFICATIONS

We meet all UK and EU lighting and safety regulations.

Our products are hand finished to ensure an authentic vintage look and therefore they may vary slightly from those shown in the images.

Bulb required: Standard screw (E27) fitting, max 40W.

Shade weight: 0.48 kg | **Holder weight:** 0.7 kg

Maximum weight: 0.55 kg (1 wire)

INFORMATION

Finishes: Brass, Pewter, Copper.

Ready to be installed, installation required.

Wall mount screws not included.

Available in 1, 3, 5, 7 wire.

Flex: 2m Black Twisted Fabric Flex (per pendant).

Ceiling rose: Brass, Pewter, Copper.

DIMENSIONS

Shade Diameter: 16 cm / 6.3"

Opening Diameter: 11 cm / 4.3"

Height (no holder): 14 cm / 5.5"



Sleek

These fittings are completely pre-wired and only require installation of the bulb after connection to the mains wiring.

Caution - Always disconnect the power supply when changing the bulb.

- Ensure that the power supply has been disconnected.

- Insert an E27 bulb lightly, but firmly into the socket, turn it clockwise until it locks into place or keeps gently twisting clockwise until it won't go any further.

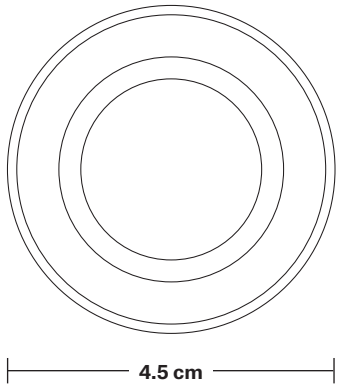
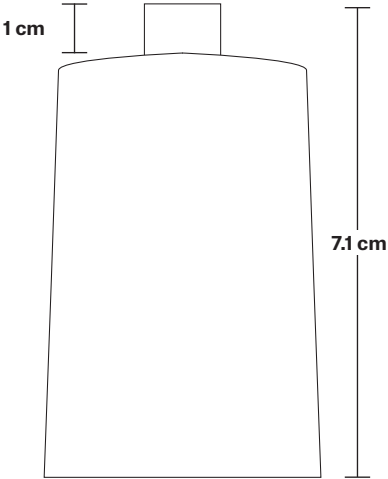
- Once the bulb is in, turn the power back on again and switch on the light, your Sleek Pendant is now installed.

Bulb Holder	118
Large Bulb Holder	119
Cordset Bulb Holder	120
Large Cordset Bulb Holder	121
Cordset Holder – Shades	122
Dome	123
Cone	126
Flat	128
Umbrella	130
Step	132
Giant Step	134
Giant Hat	135
Giant Bell	136

Sleek Edison ES E27 Bulb Holder

Product Code: SL-BH

H: 7.1 cm x W: 4.5 cm x D: 4.5 cm



SPECIFICATIONS

We meet all UK and EU lighting and safety regulations.

Our products are hand finished to ensure an authentic vintage look and therefore they may vary slightly from those shown in the images.

Bulb required: Standard screw (E27) fitting, max 25W.

Weight: 0.1 kg

INFORMATION

Finishes: Brass, Pewter, Copper.

Ready to be installed, installation required.

DIMENSIONS

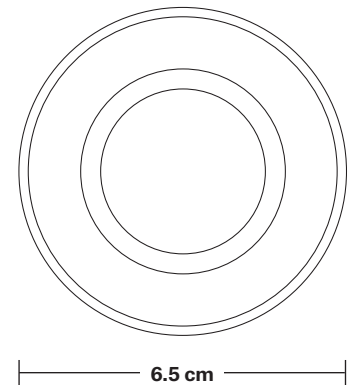
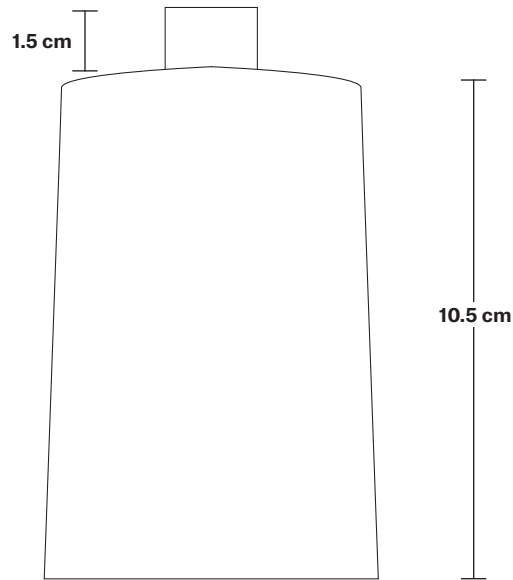
Bulb Holder Height: 7.1 cm / 2.8"

Bulb Holder Depth: 4.5 cm / 1.8"

Sleek Edison ES E27 Large Bulb Holder

Product Code: SL-LBH

H: 10.5 cm x W: 6.5 cm x D: 6.5 cm



SPECIFICATIONS

We meet all UK and EU lighting and safety regulations.

Our products are hand finished to ensure an authentic vintage look and therefore they may vary slightly from those shown in the images.

Bulb required: Standard screw (E27) fitting, max 40W.

Weight: 0.1 kg

INFORMATION

Finishes: Brass, Pewter, Copper.

Ready to be installed, installation required.

DIMENSIONS

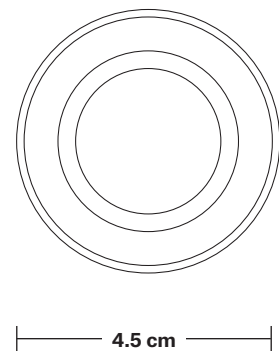
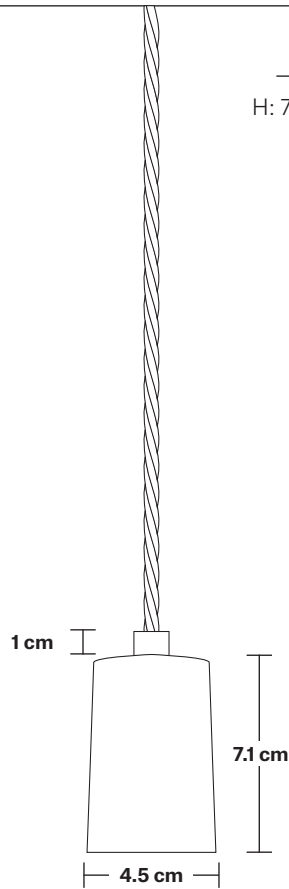
Bulb Holder Height: 10.5 cm / 4.1"

Bulb Holder Depth: 6.5 cm / 2.5"

Sleek Edison Pendant - 1 Wire

Product Code: SL-E1WP

H: 7.1 cm x W: 4.5 cm x D: 4.5 cm



SPECIFICATIONS

We meet all UK and EU lighting and safety regulations.

Our products are hand finished to ensure an authentic vintage look and therefore they may vary slightly from those shown in the images.

Bulb required: Standard screw (E27) fitting, max 25W.

Weight: 0.1 kg

INFORMATION

Finishes: Brass, Pewter, Copper.

Ready to be installed, installation required.

Wall mount screws not included.

Flex: 1m Black Twisted Fabric Flex.

Ceiling rose: Brass, Pewter, Copper.

DIMENSIONS

Holder Diameter: 4 cm / 1.6"

Holder Height: 10 cm / 3.9"

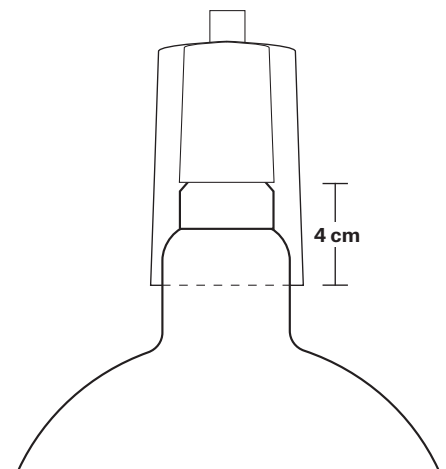
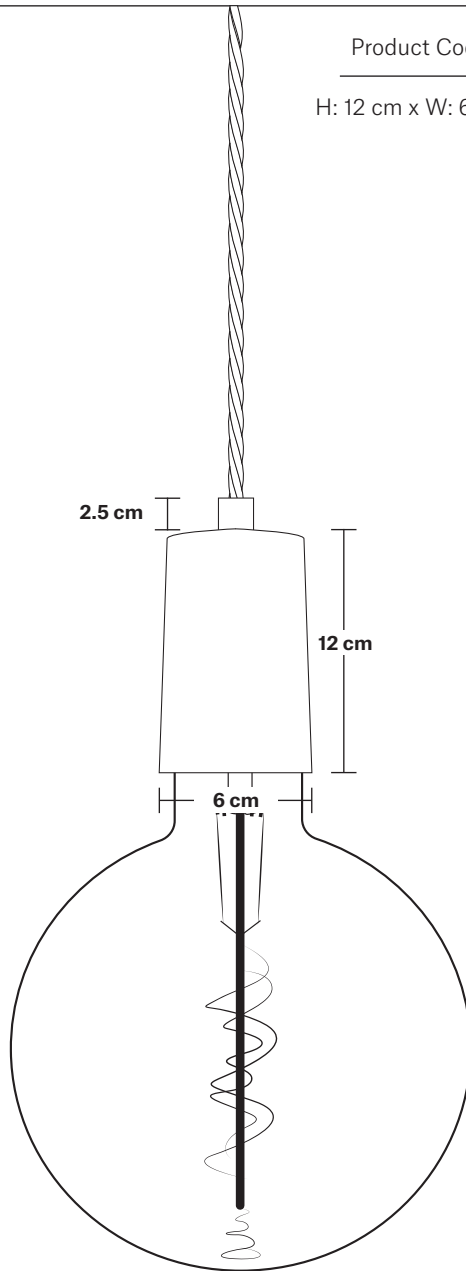
Ceiling Rose Diameter: 8 cm / 3.2"

Ceiling Rose Height: 2 cm / 0.8"

Sleek Large Edison Pendant - 1 Wire

Product Code: SL-LE1WP

H: 12 cm x W: 6.5 cm x D: 6.5 cm



SPECIFICATIONS

We meet all UK and EU lighting and safety regulations.

Our products are hand finished to ensure an authentic vintage look and therefore they may vary slightly from those shown in the images.

Bulb required: Standard screw (E27) fitting, max 40W.

Weight: 0.3 kg

INFORMATION

Finishes: Brass, Pewter, Copper.

Ready to be installed, installation required.

Wall mount screws not included.

Flex: 1m Black Twisted Fabric Flex.

Ceiling rose: Brass, Pewter, Copper.

DIMENSIONS

Holder Diameter: 6 cm / 2.3"

Holder Height: 12 cm / 4.7"

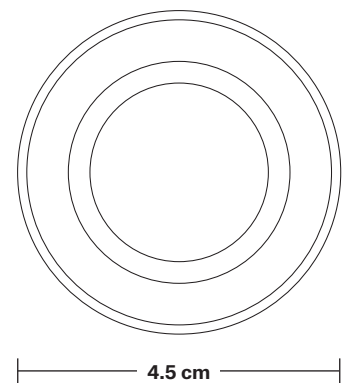
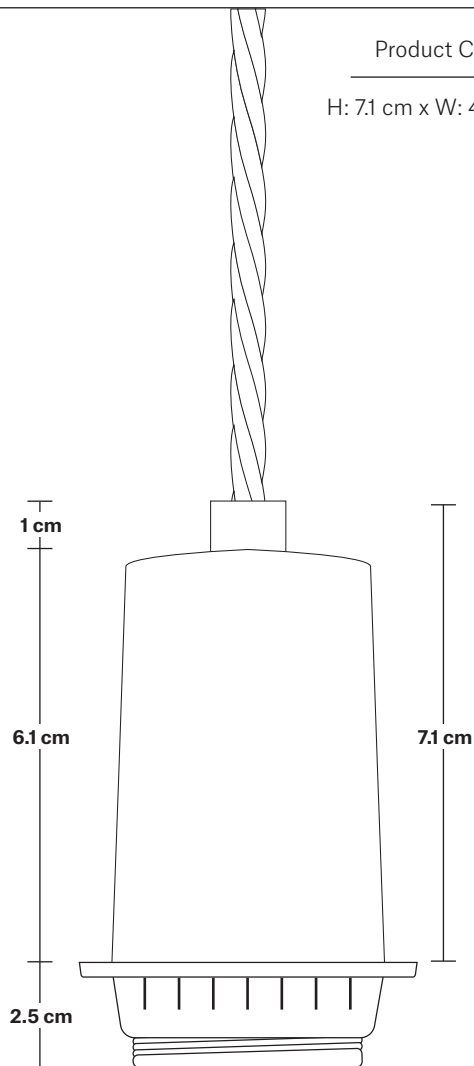
Ceiling Rose Diameter: 12 cm / 4.7"

Ceiling Rose Height: 2.5 cm / 0.9"

Sleek Edison Cord Set ES E27 Bulb Holder

Product Code: SL-EBH

H: 7.1 cm x W: 4.5 cm x D: 4.5 cm



SPECIFICATIONS

meet all UK and EU lighting and safety regulations.

Our products are hand finished to ensure an authentic vintage look and therefore they may vary slightly from those shown in the images.

Bulb required: Standard screw (E27) fitting, max 25W.

Weight: 0.1 kg

INFORMATION

Finishes: Brass, Pewter, Copper.

Ready to be installed, installation required.

Wall mount screws not included.

DIMENSIONS

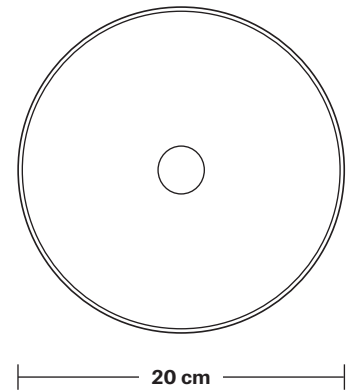
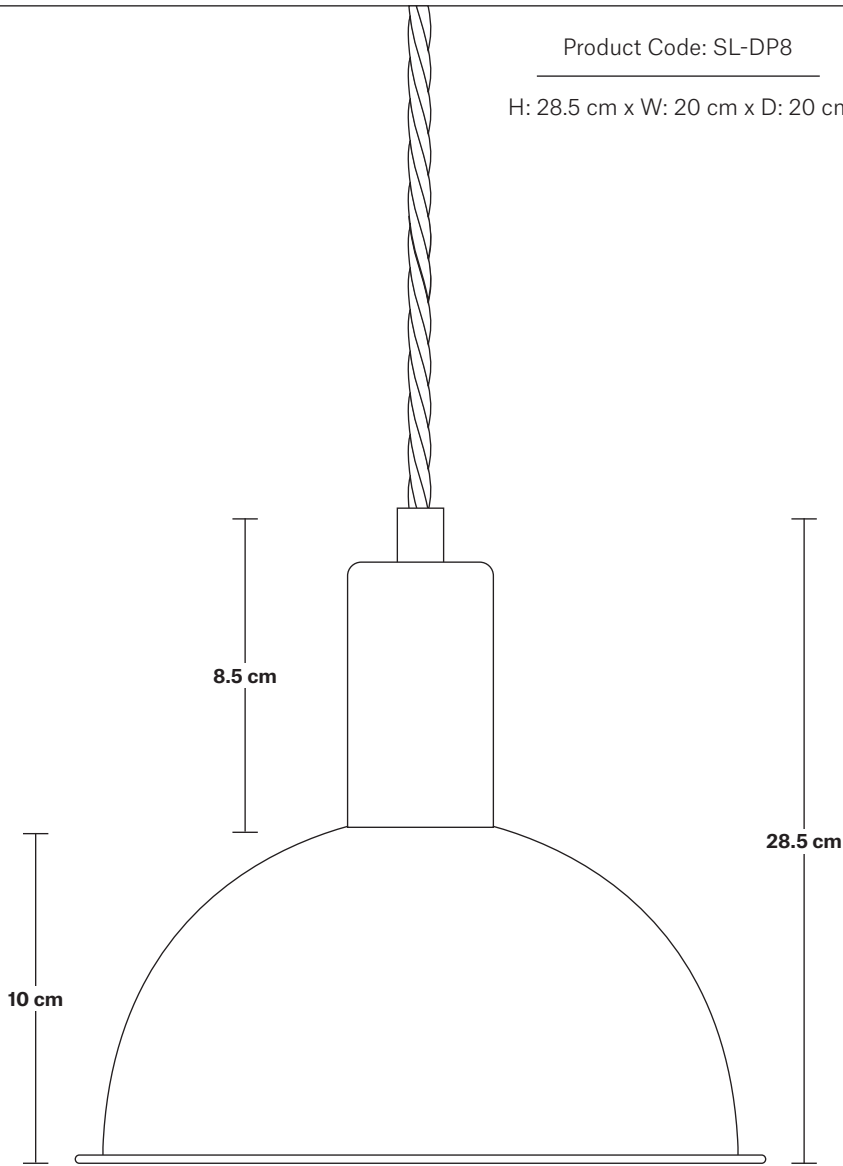
Bulb Holder Height: 9.6 cm / 3.8"

Bulb Holder Depth: 4.5 cm / 1.8"

Sleek Dome Pendant - 8 Inch

Product Code: SL-DP8

H: 28.5 cm x W: 20 cm x D: 20 cm



SPECIFICATIONS

We meet all UK and EU lighting and safety regulations.

Our products are hand finished to ensure an authentic vintage look and therefore they may vary slightly from those shown in the images.

Bulb required: Standard screw (E27) fitting, max 25W.

Shade weight: 0.4 kg | **Holder weight:** 0.2 kg

Maximum weight: 0.6 kg

INFORMATION

Finishes: Brass, Pewter, Copper, Copper & Pewter, Brass & Pewter.

Ready to be installed, installation required.

Wall mount screws not included.

Holders available: Brass, Pewter, Copper.

Flex: 1m Black Twisted Fabric Flex.

Ceiling Rose: Brass, Pewter and Copper.

DIMENSIONS

Shade Diameter: 20 cm / 8"

Shade Height (no holder): 10 cm / 4"

Holder Diameter: 4 cm / 1.6"

Holder Height: 10 cm / 4.1"

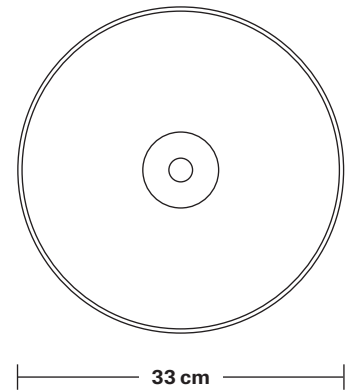
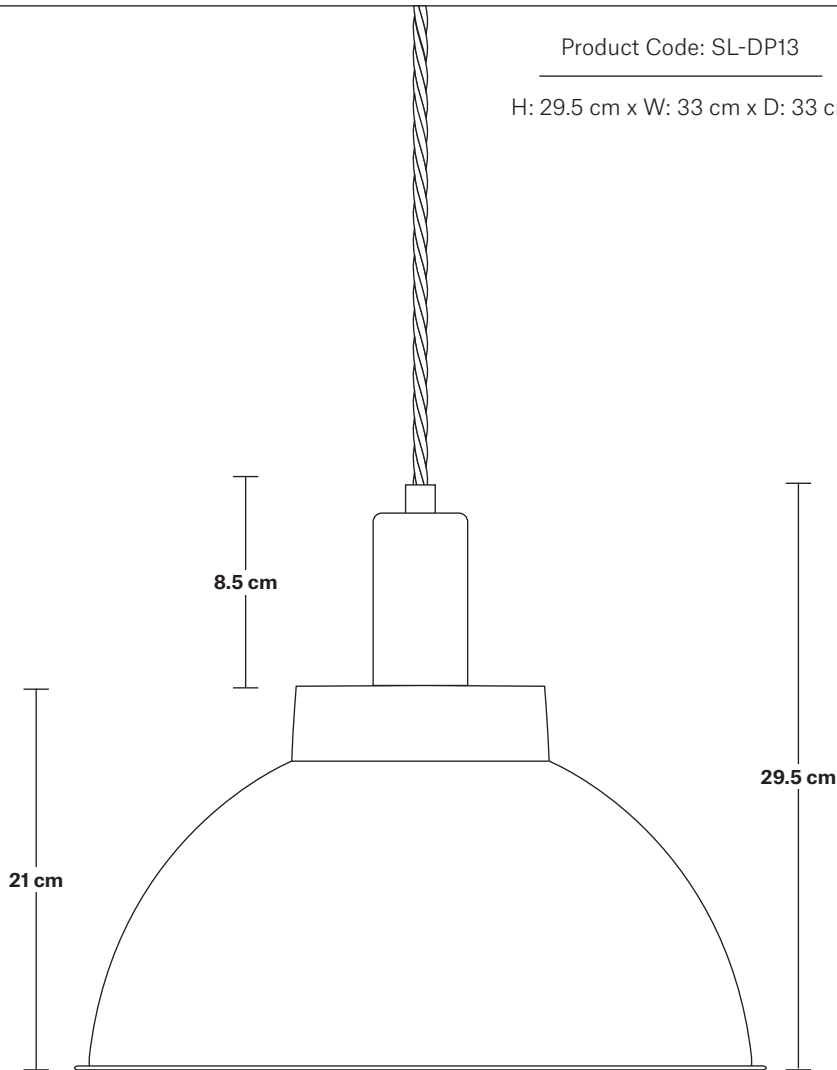
Ceiling Rose Diameter: 8 cm / 3"

Ceiling Rose Height: 2 cm / 0.8"

Sleek Dome Pendant - 13 Inch

Product Code: SL-DP13

H: 29.5 cm x W: 33 cm x D: 33 cm



SPECIFICATIONS

We meet all UK and EU lighting and safety regulations.

Our products are hand finished to ensure an authentic vintage look and therefore they may vary slightly from those shown in the images.

Bulb required: Standard screw (E27) fitting, max 25W.

Shade weight: 1.1 kg | **Holder weight:** 0.2 kg

Maximum weight: 1.3 kg

INFORMATION

Finishes: Brass, Pewter, Light Pewter, Copper, Copper & Pewter, Brass & Pewter.

Ready to be installed, installation required.

Wall mount screws not included.

Holders available: Brass, Pewter, Copper.

Flex: 1m Black Twisted Fabric Flex.

Ceiling rose: Brass, Pewter and Copper.

DIMENSIONS

Shade Diameter: 33 cm / 13"

Shade Height (no holder): 21 cm / 8.3"

Holder Diameter: 4 cm / 1.6"

Holder Height: 10 cm / 4.1"

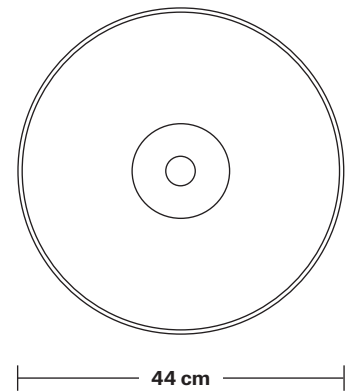
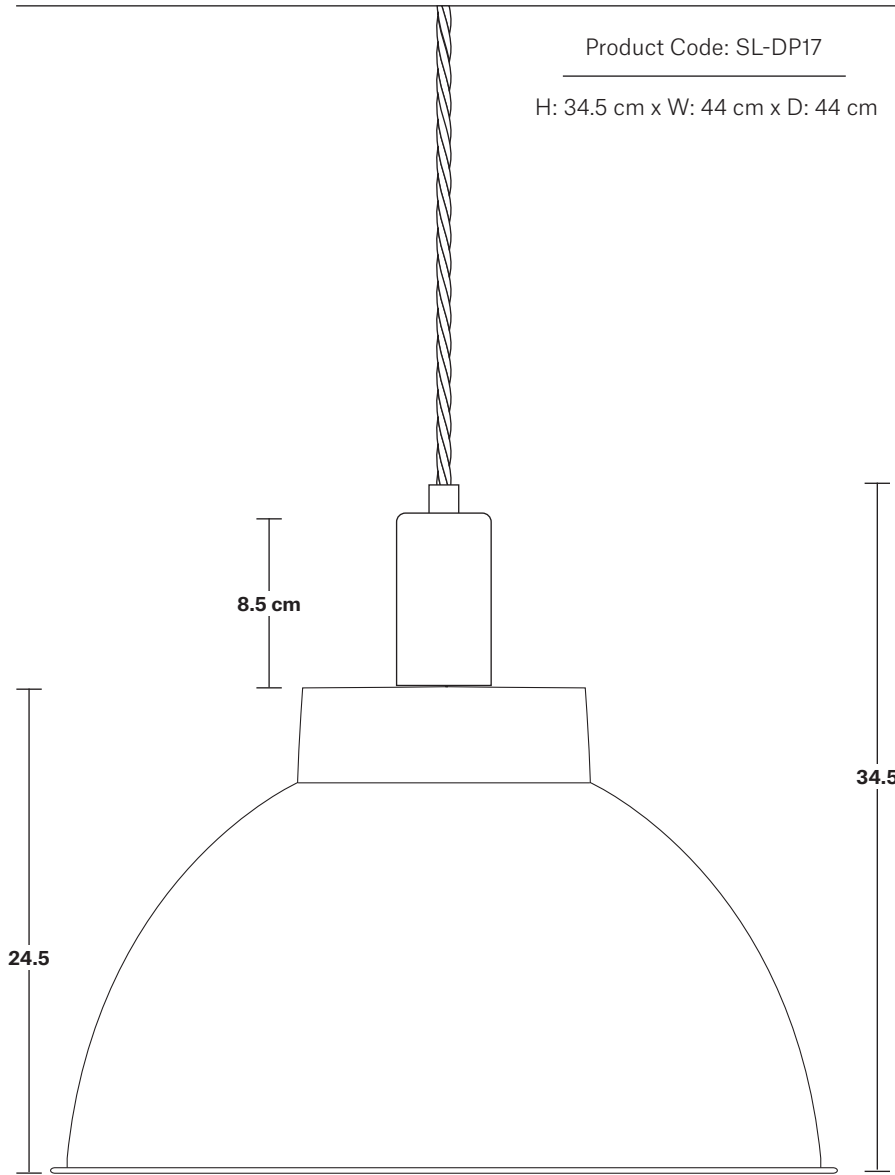
Ceiling Rose Diameter: 8 cm / 3"

Ceiling Rose Height: 2 cm / 0.8"

Sleek Dome Pendant - 17 Inch

Product Code: SL-DP17

H: 34.5 cm x W: 44 cm x D: 44 cm



SPECIFICATIONS

We meet all UK and EU lighting and safety regulations.

Our products are hand finished to ensure an authentic vintage look and therefore they may vary slightly from those shown in the images.

Bulb required: Standard screw (E27) fitting, max 25W.

Shade weight: 2.1 kg | **Holder weight:** 0.2 kg

Maximum weight: 2.3 kg

INFORMATION

Finishes: Brass, Pewter, Copper, Copper & Pewter, Brass & Pewter.

Ready to be installed, installation required.

Wall mount screws not included.

Holders available: Brass, Pewter, Copper.

Flex: 1m Black Twisted Fabric Flex.

Ceiling rose: Brass, Pewter and Copper.

DIMENSIONS

Shade Diameter: 44 cm / 17.3"

Shade Height (no holder): 24.5 cm / 9.6"

Holder Diameter: 4 cm / 1.6"

Holder Height: 10 cm / 4.1"

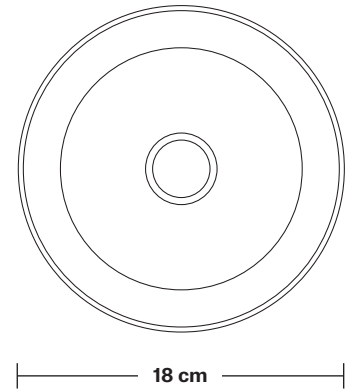
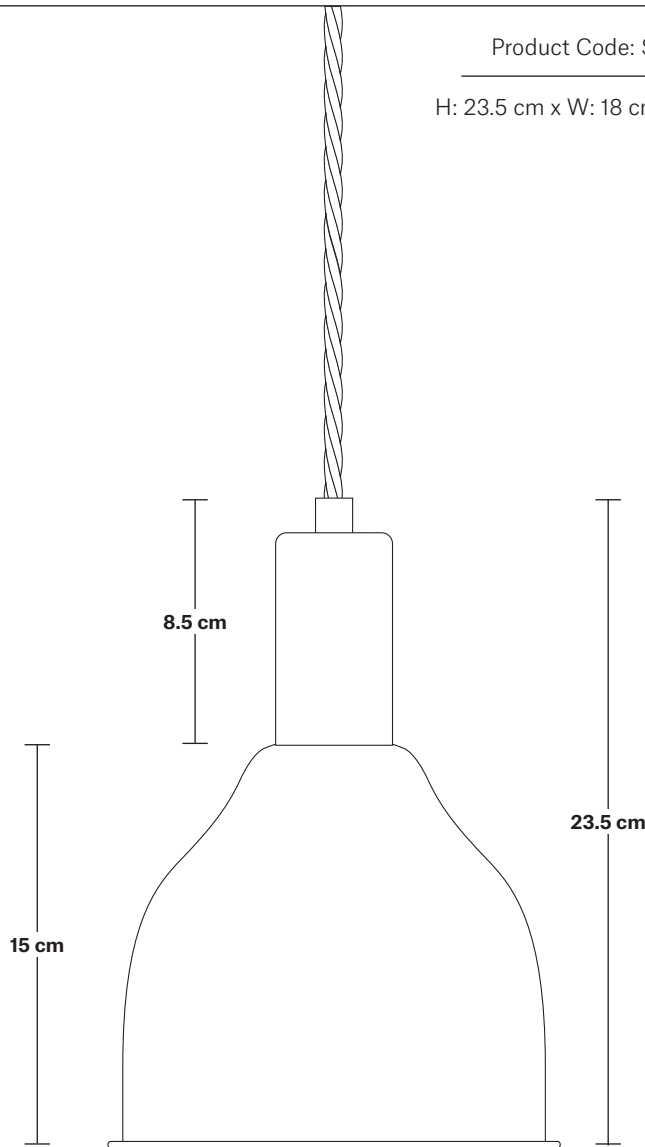
Ceiling Rose Diameter: 8 cm / 3"

Ceiling Rose Height: 2 cm / 0.8"

Sleek Cone Pendant - 7 Inch

Product Code: SL-CP7

H: 23.5 cm x W: 18 cm x D: 18 cm



SPECIFICATIONS

We meet all UK and EU lighting and safety regulations.

Our products are hand finished to ensure an authentic vintage look and therefore they may vary slightly from those shown in the images.

Bulb required: Standard screw (E27) fitting, max 25W.

Shade weight: 0.35 kg | **Holder weight:** 0.2 kg

Maximum weight: 0.55 kg

INFORMATION

Finishes: Brass, Pewter, Copper.

Ready to be installed, installation required.

Wall mount screws not included.

Holders available: Brass, Pewter, Copper.

Flex: 1m Black Twisted Fabric Flex.

Ceiling rose: Brass, Pewter, Copper.

DIMENSIONS

Shade Diameter: 18 cm / 7"

Shade Height (no holder): 15 cm / 6.1"

Holder Diameter: 4 cm / 1.6"

Holder Height: 10 cm / 4.1"

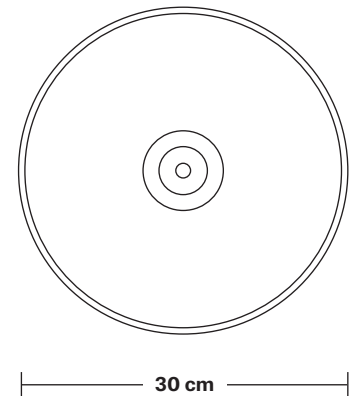
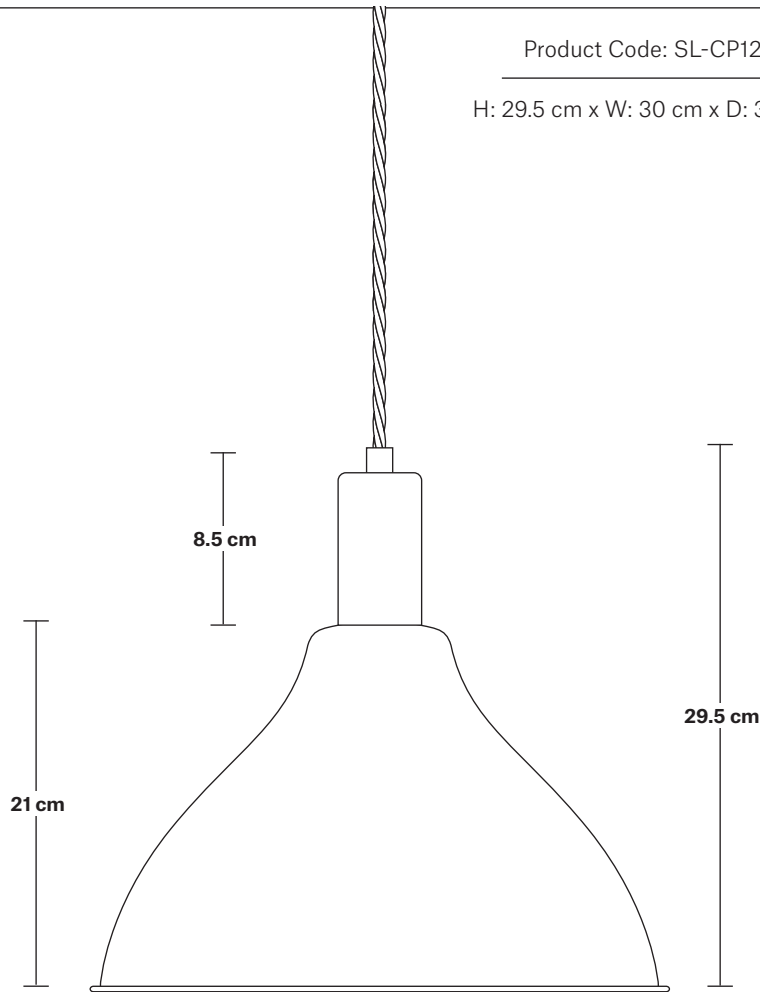
Ceiling Rose Diameter: 8 cm / 3"

Ceiling Rose Height: 2 cm / 0.8"

Sleek Cone Pendant - 12 Inch

Product Code: SL-CP12

H: 29.5 cm x W: 30 cm x D: 30 cm



SPECIFICATIONS

We meet all UK and EU lighting and safety regulations.

Our products are hand finished to ensure an authentic vintage look and therefore they may vary slightly from those shown in the images.

Bulb required: Standard screw (E27) fitting, max 25W.

Shade weight: 0.85 kg | **Holder weight:** 0.2 kg

Maximum weight: 1.05 kg

INFORMATION

Finishes: Brass, Pewter.

Ready to be installed, installation required.

Wall mount screws not included.

Holders available: Brass, Pewter.

Flex: 1m Black Twisted Fabric Flex.

Ceiling rose: Brass, Pewter.

DIMENSIONS

Shade Diameter: 30 cm / 12"

Shade Height (no holder): 21 cm / 8.3"

Holder Diameter: 4 cm / 1.6"

Holder Height: 10 cm / 4.1"

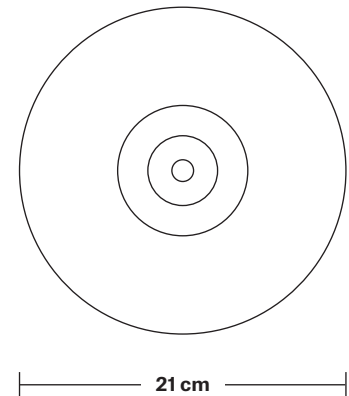
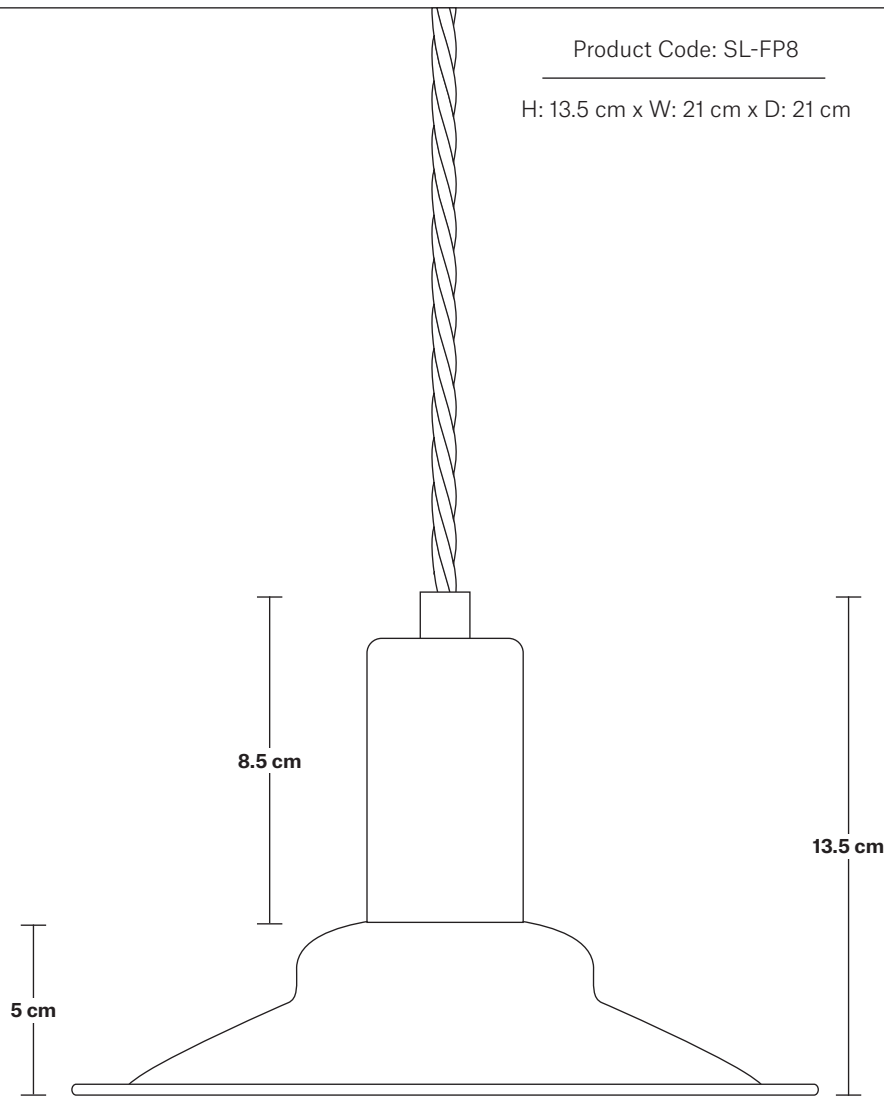
Ceiling Rose Diameter: 8 cm / 3"

Ceiling Rose Height: 2 cm / 0.8"

Sleek Flat Pendant - 8 Inch

Product Code: SL-FP8

H: 13.5 cm x W: 21 cm x D: 21 cm



SPECIFICATIONS

We meet all UK and EU lighting and safety regulations.

Our products are hand finished to ensure an authentic vintage look and therefore they may vary slightly from those shown in the images.

Bulb required: Standard screw (E27) fitting, max 25W.

Shade weight: 0.3 kg | **Holder weight:** 0.2 kg

Maximum weight: 0.5 kg

INFORMATION

Finishes: Brass, Pewter, Copper.

Ready to be installed, installation required.

Wall mount screws not included.

Holders available: Brass, Pewter and Copper.

Flex: 1m Black Twisted Fabric Flex.

Ceiling rose: Brass, Pewter, Copper.

DIMENSIONS

Shade Diameter: 21 cm / 8.2"

Shade Height (no holder): 5 cm / 2"

Holder Diameter: 4 cm / 1.6"

Holder Height: 10 cm / 4.1"

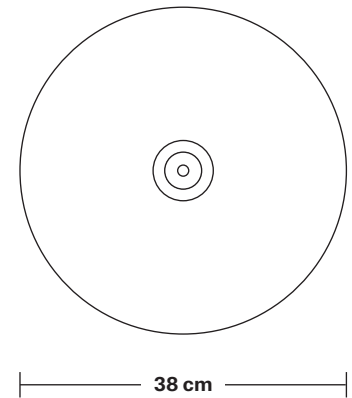
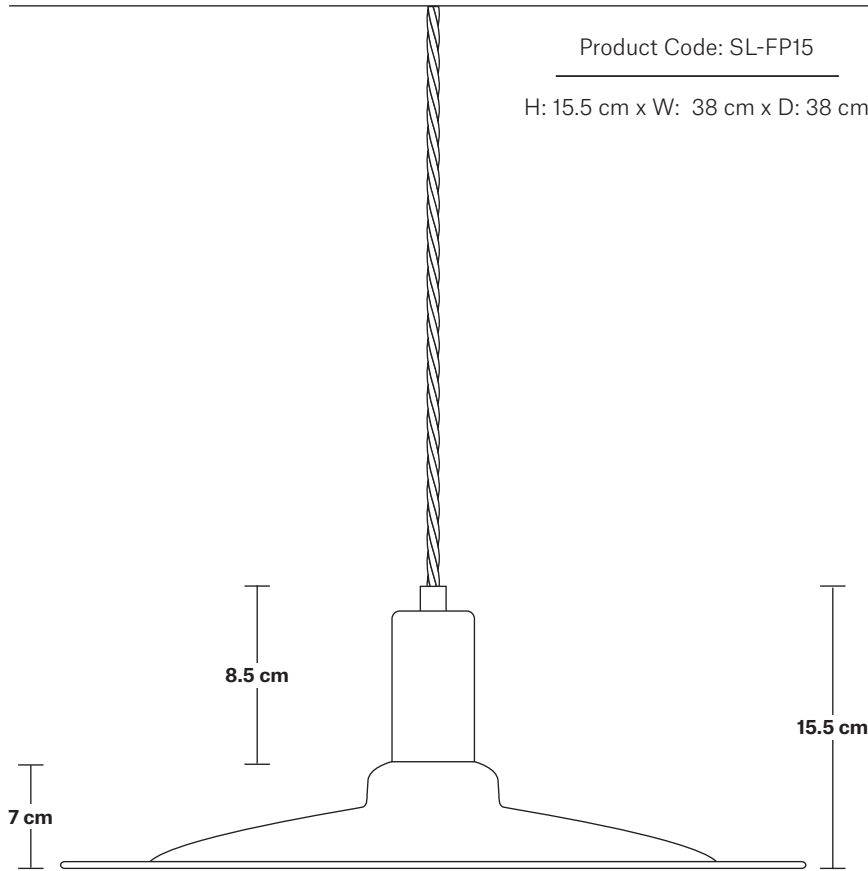
Ceiling Rose Diameter: 8 cm / 3"

Ceiling Rose Height: 2 cm / 0.8"

Sleek Flat Pendant - 15 Inch

Product Code: SL-FP15

H: 15.5 cm x W: 38 cm x D: 38 cm



SPECIFICATIONS

We meet all UK and EU lighting and safety regulations.

Our products are hand finished to ensure an authentic vintage look and therefore they may vary slightly from those shown in the images.

Bulb required: Standard screw (E27) fitting, max 25W.

Shade weight: 0.9 kg | **Holder weight:** 0.2 kg

Maximum weight: 1.1 kg

INFORMATION

Finishes: Brass, Pewter, Copper.

Ready to be installed, installation required.

Wall mount screws not included.

Holders available: Brass, Pewter, Copper.

Flex: 1m Black Twisted Fabric Flex.

Ceiling rose: Brass, Pewter, Copper.

DIMENSIONS

Shade Diameter: 38 cm / 15"

Shade Height (no holder): 7 cm / 2.8"

Holder Diameter: 4 cm / 1.6"

Holder Height: 10 cm / 4.1"

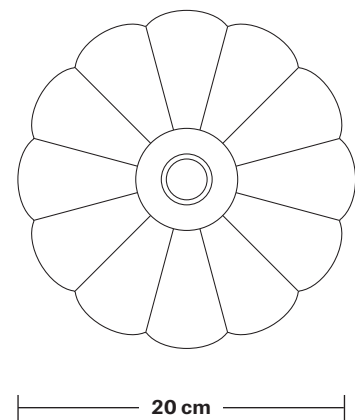
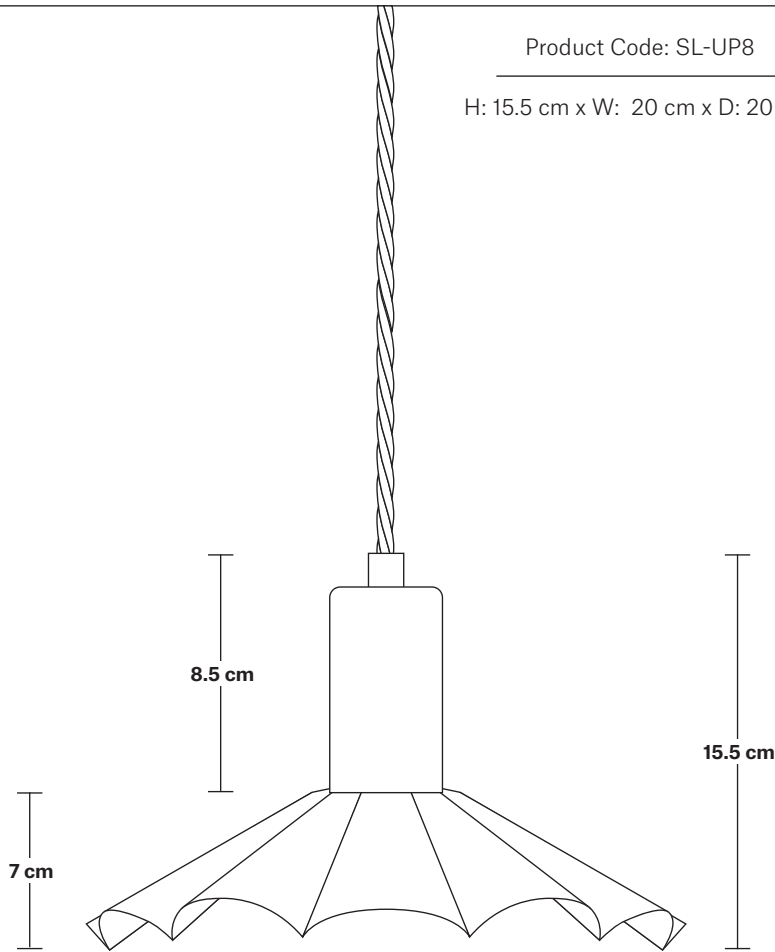
Ceiling Rose Diameter: 8 cm / 3"

Ceiling Rose Height: 2 cm / 0.8"

Sleek Umbrella Pendant - 8 Inch

Product Code: SL-UP8

H: 15.5 cm x W: 20 cm x D: 20 cm



SPECIFICATIONS

We meet all UK and EU lighting and safety regulations.

Our products are hand finished to ensure an authentic vintage look and therefore they may vary slightly from those shown in the images.

Bulb required: Standard screw (E27) fitting, max 25W.

Shade weight: 0.2 kg | **Holder weight:** 0.2 kg

Maximum weight: 0.4 kg

INFORMATION

Finishes: Brass, Pewter, Copper.

Ready to be installed, installation required.

Wall mount screws not included.

Holders available: Brass, Pewter, Copper.

Flex: 1m Black Twisted Fabric Flex.

Ceiling rose: Brass, Pewter, Copper.

DIMENSIONS

Shade Diameter: 20 cm / 8"

Shade Height (no holder): 7 cm / 2.6"

Holder Height: 10 cm / 4.1"

Holder Diameter: 4 cm / 1.6"

Ceiling Rose Diameter: 8 cm / 3"

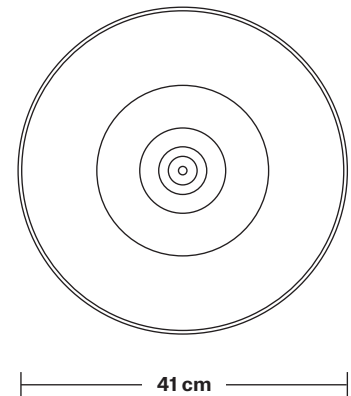
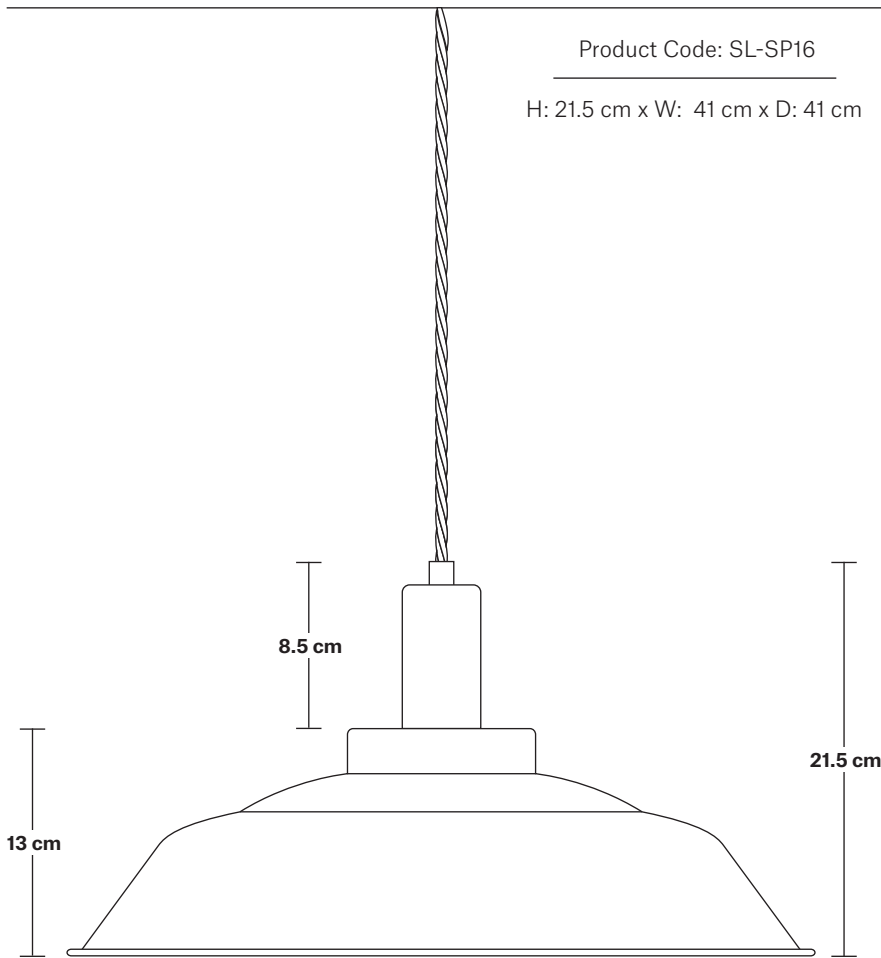
Ceiling Rose Height: 2 cm / 0.8"



Sleek Step Pendant - 16 Inch

Product Code: SL-SP16

H: 21.5 cm x W: 41 cm x D: 41 cm



SPECIFICATIONS

We meet all UK and EU lighting and safety regulations.

Our products are hand finished to ensure an authentic vintage look and therefore they may vary slightly from those shown in the images.

Bulb required: Standard screw (E27) fitting, max 25W.

Shade weight: 1.2 kg | **Holder weight:** 0.2 kg

Maximum weight: 1.4 kg

INFORMATION

Finishes: Brass, Pewter, Light Pewter.

Ready to be installed, installation required.

Wall mount screws not included.

Holders available: Brass, Pewter, Copper.

Flex: 1m Black Twisted Fabric Flex.

Ceiling rose: Brass, Pewter, Copper.

DIMENSIONS

Shade Diameter: 41 cm / 16"

Shade Height (no holder): 13 cm / 5.1"

Holder Diameter: 4 cm / 1.6"

Holder Height: 10 cm / 4.1"

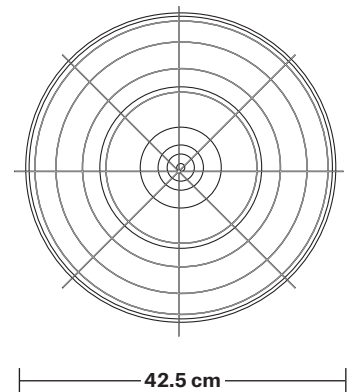
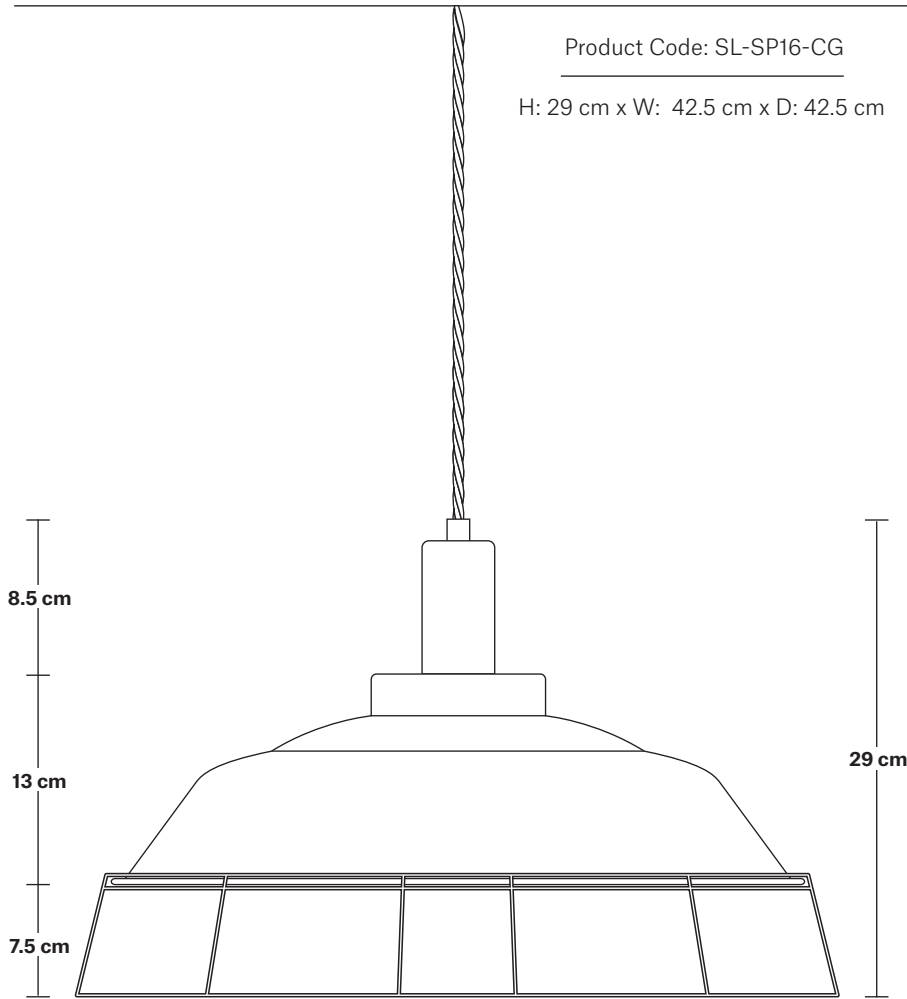
Ceiling Rose Diameter: 8 cm / 3"

Ceiling Rose Height: 2 cm / 0.8"

Sleek Step Pendant - 16 Inch - With Cage

Product Code: SL-SP16-CG

H: 29 cm x W: 42.5 cm x D: 42.5 cm



SPECIFICATIONS

We meet all UK and EU lighting and safety regulations.

Our products are hand finished to ensure an authentic vintage look and therefore they may vary slightly from those shown in the images.

Bulb required: Standard screw (E27) fitting, max 25W.

Shade weight: 1.2 kg | **Holder weight:** 0.2 kg

Cage weight: 0.4 kg | **Max weight:** 1.8 kg

INFORMATION

Finishes: Brass, Pewter, Light Pewter.

Ready to be installed, installation required.

Wall mount screws not included.

Holders available: Brass, Pewter, Copper.

Flex: 1m Black Twisted Fabric Flex.

Ceiling rose: Brass, Pewter, Copper.

DIMENSIONS

Shade Diameter: 41 cm / 16"

Shade Height: (no holder): 13 cm / 5.1"

Holder Diameter: 4 cm / 1.6"

Holder Height: 10 cm / 4.1"

Ceiling Rose Diameter: 8 cm / 3"

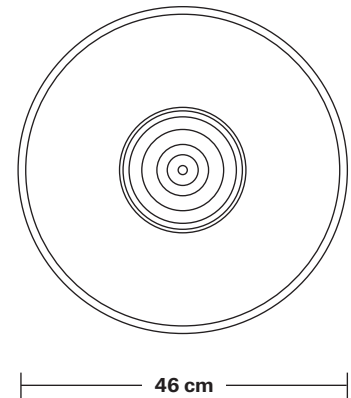
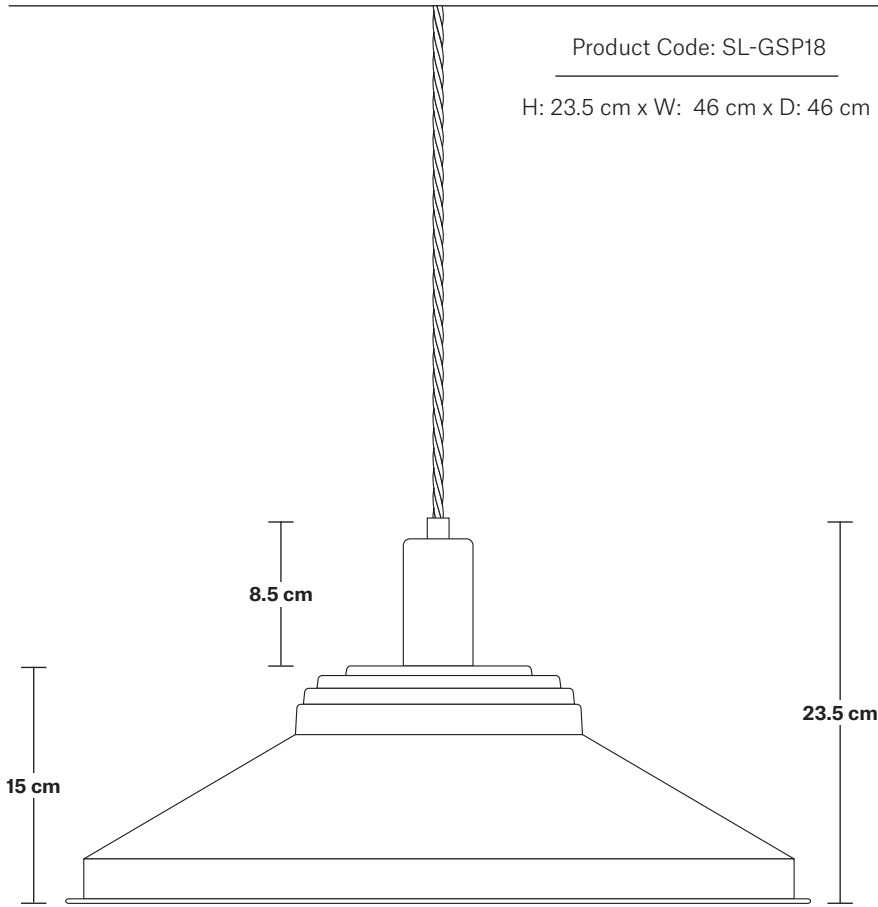
Ceiling Rose Height: 2 cm / 0.8"

Cage Diameter: 42.5 cm / 16.8"

Sleek Giant Step Pendant - 18 Inch

Product Code: SL-GSP18

H: 23.5 cm x W: 46 cm x D: 46 cm



SPECIFICATIONS

We meet all UK and EU lighting and safety regulations.

Our products are hand finished to ensure an authentic vintage look and therefore they may vary slightly from those shown in the images.

Bulb required: Standard screw (E27) fitting, max 25W.

Shade weight: 1.4 kg | **Holder weight:** 0.2 kg

Maximum weight: 1.6 kg

INFORMATION

Finishes: Brass, Pewter.

Ready to be installed, installation required.

Wall mount screws not included.

Holders available: Brass, Pewter, Copper.

Flex: 1m Black Twisted Fabric Flex.

Ceiling rose: Brass, Pewter, Copper.

DIMENSIONS

Shade Diameter: 46 cm / 18"

Shade Height (no holder): 15 cm / 6"

Holder Diameter: 4 cm / 1.6"

Holder Height: 10 cm / 4.1"

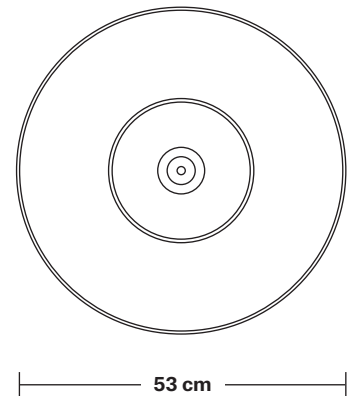
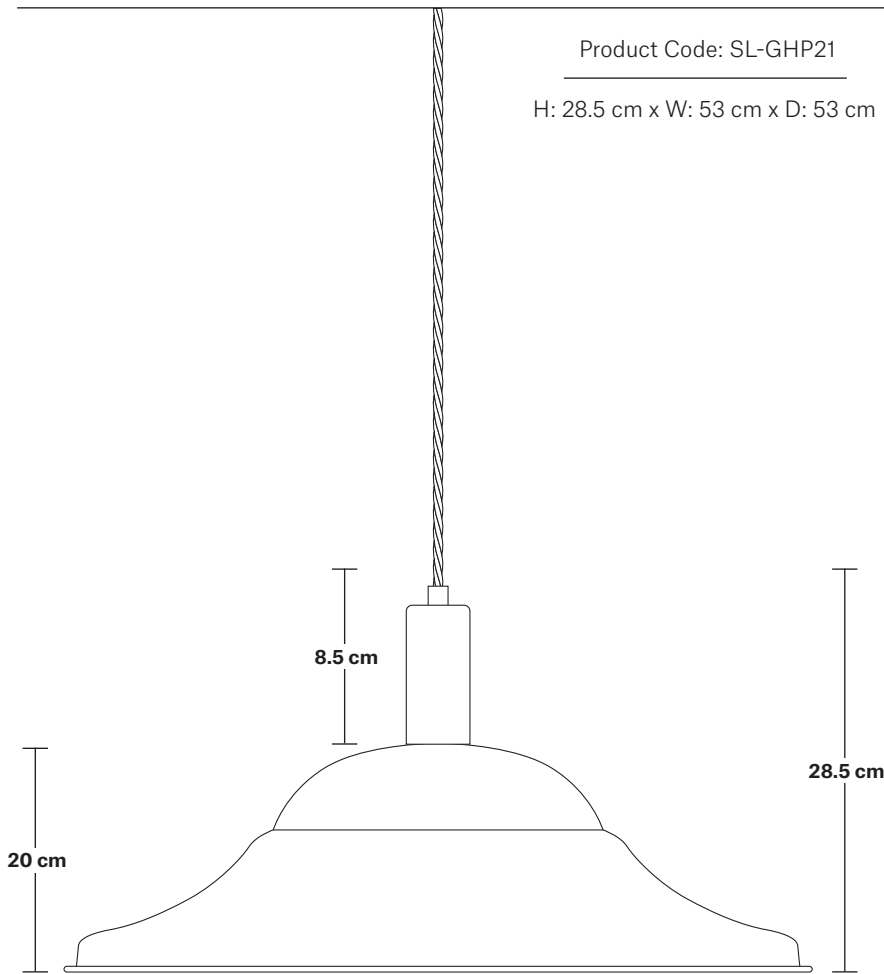
Ceiling Rose Diameter: 8 cm / 3"

Ceiling Rose Height: 2 cm / 0.8"

Sleek Giant Hat Pendant - 21 Inch

Product Code: SL-GHP21

H: 28.5 cm x W: 53 cm x D: 53 cm



SPECIFICATIONS

We meet all UK and EU lighting and safety regulations.

Our products are hand finished to ensure an authentic vintage look and therefore they may vary slightly from those shown in the images.

Bulb required: Standard screw (E27) fitting, max 25W.

Shade weight: 1.8 kg | **Holder weight:** 0.2 kg

Maximum weight: 2 kg

INFORMATION

Finishes: Brass, Pewter.

Ready to be installed, installation required.

Wall mount screws not included.

Holders available: Brass, Pewter, Copper.

Flex: 1m Black Twisted Fabric Flex.

Ceiling rose: Brass, Pewter, Copper.

DIMENSIONS

Shade Diameter: 53 cm / 21"

Shade Height (no holder): 20 cm / 7.9"

Holder Diameter: 4 cm / 1.6"

Holder Height: 10 cm / 4.1"

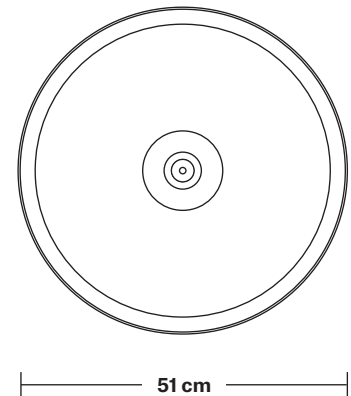
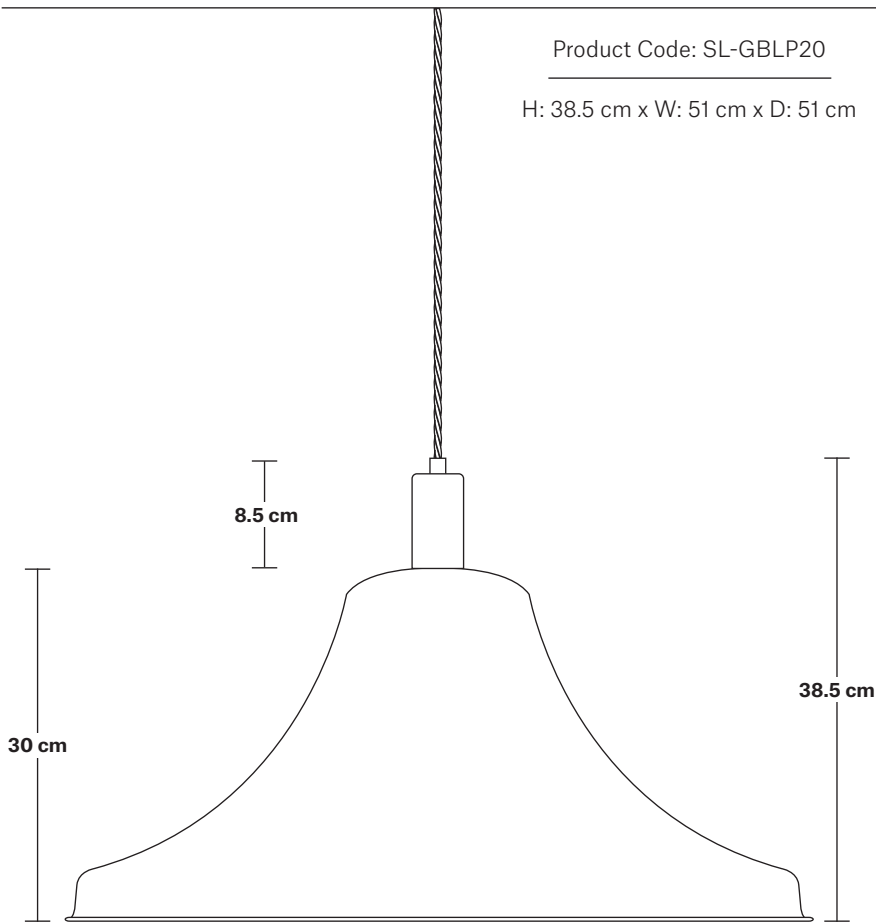
Ceiling Rose Diameter: 8 cm / 3"

Ceiling Rose Height: 2 cm / 0.8"

Sleek Giant Bell Pendant - 20 Inch

Product Code: SL-GBLP20

H: 38.5 cm x W: 51 cm x D: 51 cm



SPECIFICATIONS

We meet all UK and EU lighting and safety regulations.

Our products are hand finished to ensure an authentic vintage look and therefore they may vary slightly from those shown in the images.

Bulb required: Standard screw (E27) fitting, max 25W.

Shade weight: 1.8 kg | **Holder weight:** 0.2 kg

Maximum weight: 2.0 kg

INFORMATION

Finishes: Brass, Pewter.

Ready to be installed, installation required.

Wall mount screws not included.

Holders available: Brass, Pewter, Copper.

Flex: 1m Black Twisted Fabric Flex.

Chain flex: 1m Black Round plastic and 1m Chain.

Ceiling rose: Brass Pewter, Copper.

DIMENSIONS

Shade Diameter: 51 cm / 20"

Shade Height (no holder): 30 cm / 11.8"

Holder Diameter: 4 cm / 1.6"

Holder Height: 10 cm / 4.1"

Ceiling Rose Diameter: 8 cm / 3"

Ceiling Rose Height: 2 cm / 0.8"



Flush Mounts

Our range of pendant light fittings have been designed to emphasis the sharp lines, exposed hardware and raw sophistication indicative of the industrial style. Nevertheless, Industville endeavour to offer a variety of options to ensure the flexibility of the look to its clients

own individual projects. This can be utilised through our bespoke painting service alongside a variety of different finishes, holders, high quality fabric flex and light-bulbs to enable our customers to create a unique and personal light fitting to suit any space.

Brooklyn 140
**Brooklyn Outdoor &
Bathroom** 160
Barn 174
Swivel 186
Harbour 190
**Harbour Outdoor &
Bathroom** 194
Bulkhead 198

Specifications

- We meet all UK and EU lighting and safety regulations.
- Edison screw E27 lamp-holders are fitted as standard.
- All pendants are supplied complete with fitting – this includes bulb holder, ceiling rose and 1m/39” of high quality black fabric flex (shade only option is available).
- Dimensions include any shades supplied complete with fitting.
- Code explanation to go here about the Holder code option

Please note: all our products are hand finished to ensure an authentic vintage look and therefore they may vary slightly from those shown in the images.

Brooklyn

These ceiling fittings are completely pre-wired and only require a small amount of assembly after connecting to the mains wiring:

- Once the wall holder is installed, unscrew the black ring.

- Hold the shade in place onto the

holder.

- Once in place, begin to screw the black ring.

- Once secure, it will hold the shade to the holder, your Flush Mount is now installed.

Flush Mount Holder 142

Dome 143

Cone 146

Flat 148

Umbrella 150

Step 151

Giant Step 153

Giant Hat 154

Giant Bell 155

Glass Funnel 156

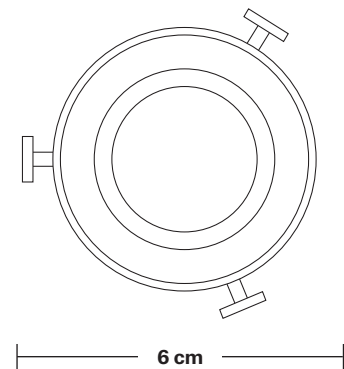
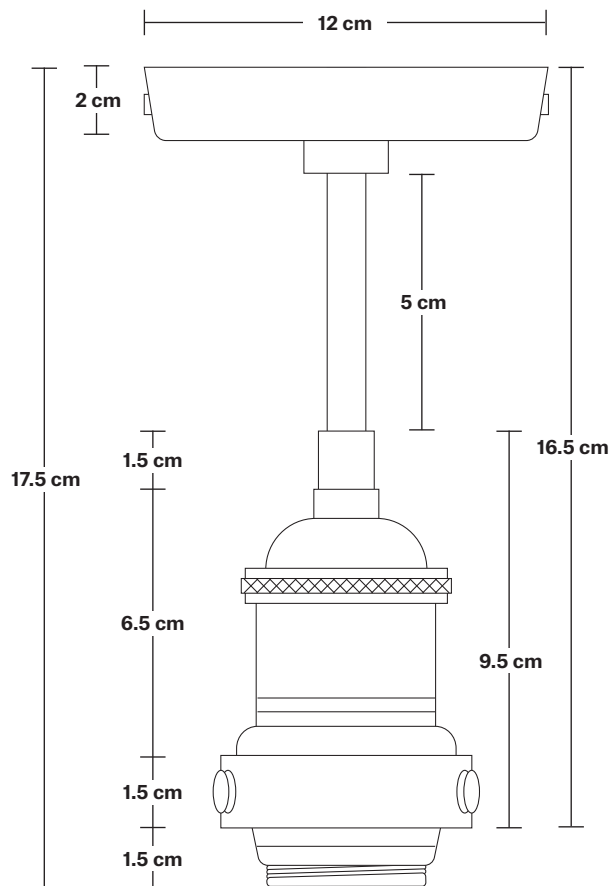
Glass Dome 157

Balloon 158

Brooklyn Flush Mount Holder

Product Code: BR-FM

H: 17.5 cm x W: 12 cm x D: 12 cm



SPECIFICATIONS

We meet all UK and EU lighting and safety regulations.

Our products are hand finished to ensure an authentic vintage look and therefore they may vary slightly from those shown in the images.

Bulb required: Standard screw (E27) fitting, max 40W.

Weight: 0.5 kg

INFORMATION

Finishes: Brass, Pewter, Copper.

Ready to be installed, installation required.

Wall mount screws not included.

Ceiling rose: Pewter.

DIMENSIONS

Holder Diameter: 12 cm / 4.7"

Holder Height: 17.5 cm / 6.9"

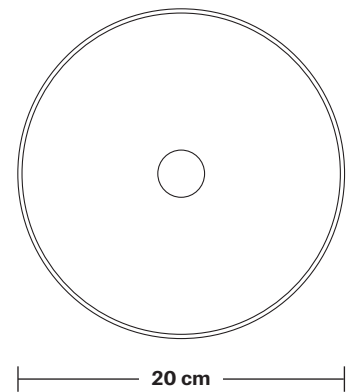
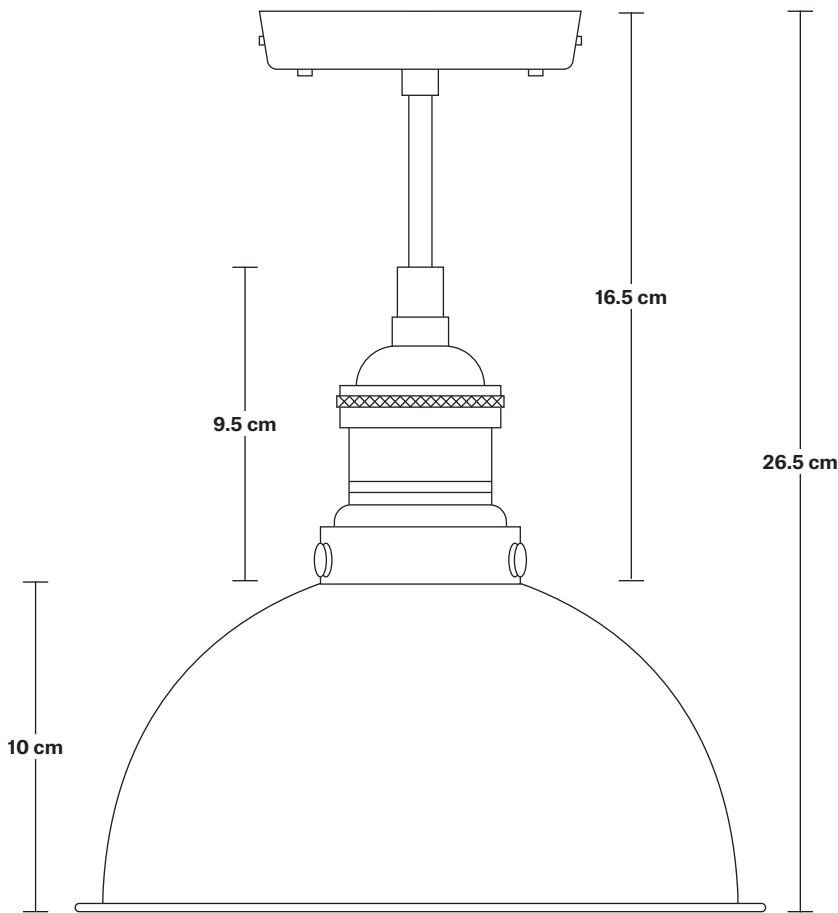
Ceiling Rose Diameter: 12 cm / 4.7"

Ceiling Rose Depth: 2 cm / 0.8"

Brooklyn Dome Flush Mount - 8 Inch

Product Code: BR-DFM8

H: 26.5 cm x W: 20 cm x D: 20 cm



SPECIFICATIONS

We meet all UK and EU lighting and safety regulations.

Our products are hand finished to ensure an authentic vintage look and therefore they may vary slightly from those shown in the images.

Bulb required: Standard screw (E27) fitting, max 40W.

Shade weight: 0.4 kg | **Holder weight:** 0.5 kg

Maximum weight: 0.9 kg

INFORMATION

Finishes: Brass, Pewter, Copper, Copper & Pewter, Brass & Pewter.

Ready to be installed, installation required.

Wall mount screws not included.

Holders available: Brass, Pewter, Copper.

DIMENSIONS

Shade Diameter: 20 cm / 8"

Shade Height (no holder): 10 cm / 4"

Holder Diameter: 6 cm / 2.5"

Holder Height: 18 cm / 7.1"

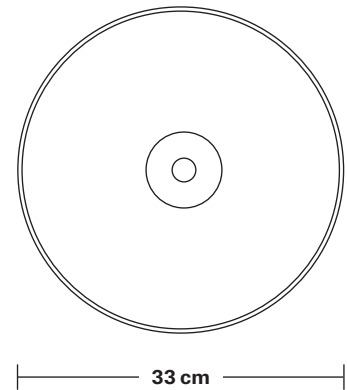
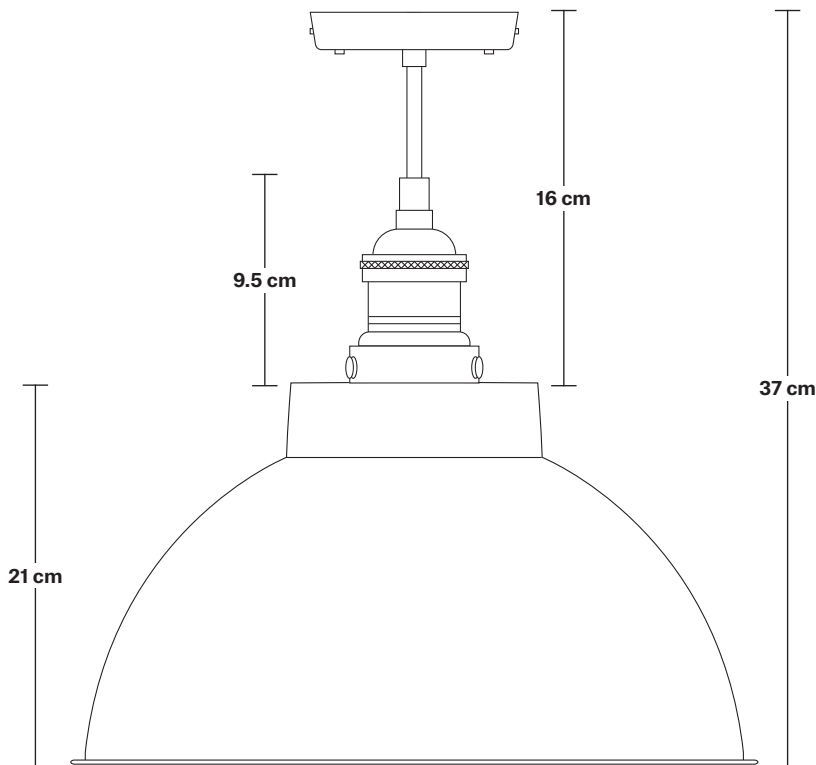
Ceiling Rose Diameter: 12 cm / 4.9"

Ceiling Rose Height: 2 cm / 0.8"

Brooklyn Dome Flush Mount - 13 Inch

Product Code: BR-DFM13

H: 37 cm x W: 33 cm x D: 33 cm



SPECIFICATIONS

We meet all UK and EU lighting and safety regulations.

Our products are hand finished to ensure an authentic vintage look and therefore they may vary slightly from those shown in the images.

Bulb required: Standard screw (E27) fitting, max 40W.

Shade weight: 1.1kg | **Holder weight:** 0.5 kg

Maximum weight: 1.6kg

INFORMATION

Finishes: Brass, Pewter, Copper, Copper & Pewter, Brass & Pewter.

Ready to be installed, installation required.

Wall mount screws not included.

Holders available: Brass, Pewter, Copper.

DIMENSIONS

Shade Diameter: 33 cm / 13"

Shade Height (no holder): 21 cm / 8.3"

Holder Diameter: 6 cm / 2.5"

Holder Height: 18 cm / 7.1"

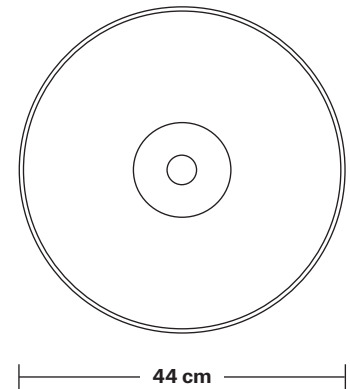
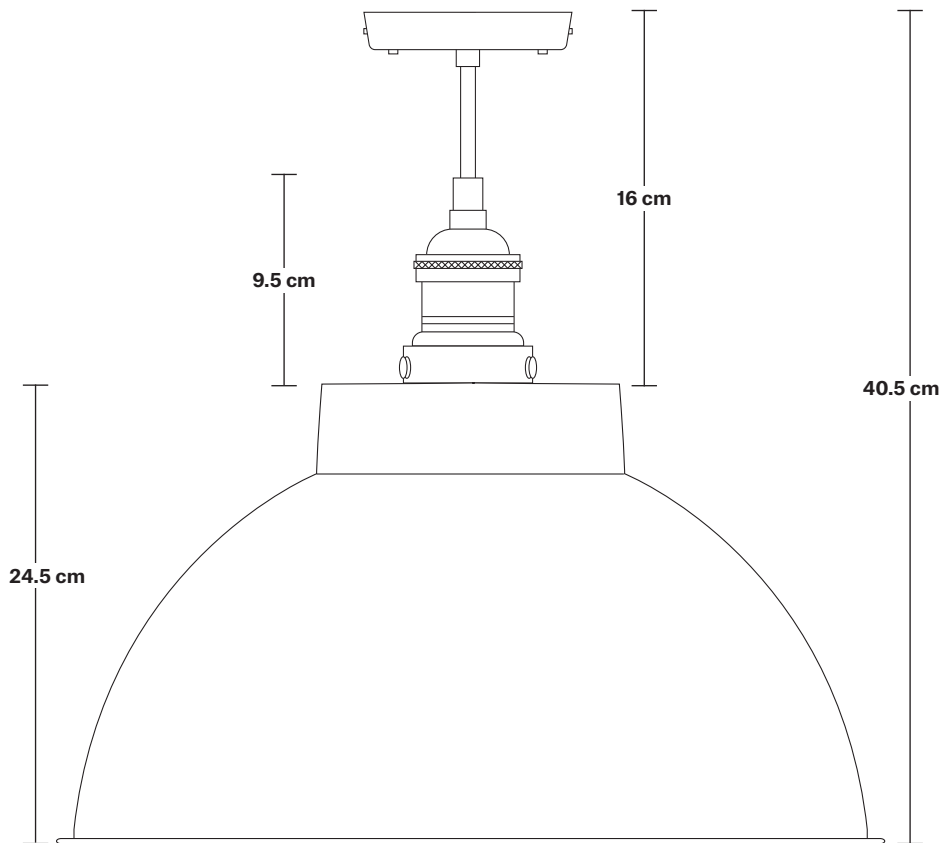
Ceiling Rose Diameter: 12 cm / 4.9"

Ceiling Rose Height: 2 cm / 0.8"

Brooklyn Dome Flush Mount - 17 Inch

Product Code: BR-DFM17

H: 40.5 cm x W: 44 cm x D: 44 cm



SPECIFICATIONS

We meet all UK and EU lighting and safety regulations.

Our products are hand finished to ensure an authentic vintage look and therefore they may vary slightly from those shown in the images.

Bulb required: Standard screw (E27) fitting, max 40W.

Shade weight: 1.3 kg | **Holder weight:** 0.5 kg

Maximum weight: 1.8 kg

INFORMATION

Finishes: Brass, Pewter, Copper & Pewter, Brass & Pewter.

Ready to be installed, installation required.

Wall mount screws not included.

Holders available: Brass, Pewter, Copper.

Ceiling Rose: Pewter.

DIMENSIONS

Shade Diameter: 44 cm / 17.3"

Shade Height (no holder): 24.5 cm / 9.6"

Holder Diameter: 6 cm / 2.5"

Holder Height: 18 cm / 7.1"

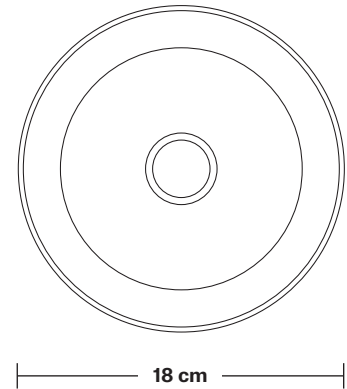
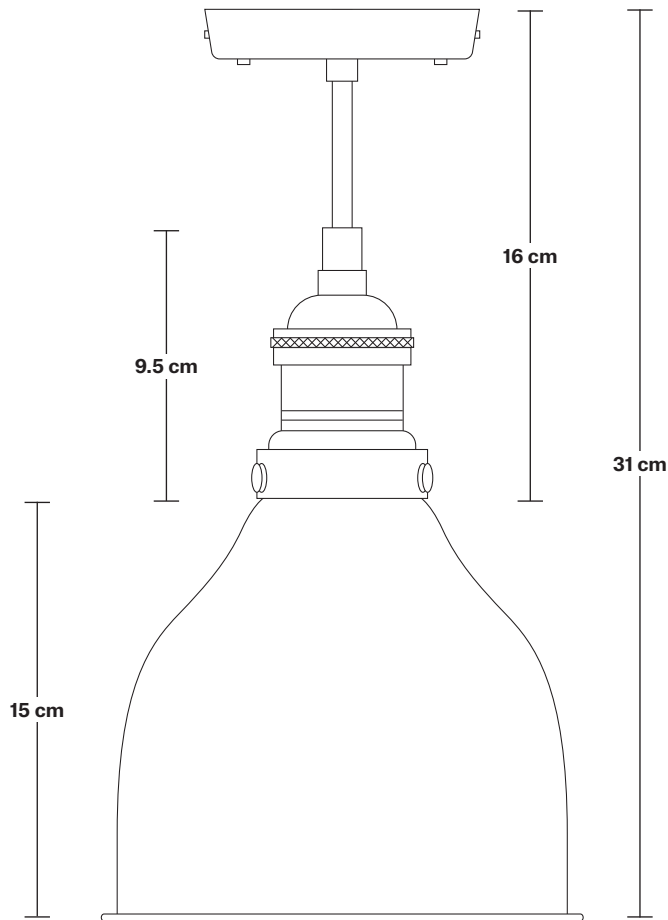
Ceiling Rose Diameter: 12 cm / 4.9"

Ceiling Rose Height: 2 cm / 0.8"

Brooklyn Cone Flush Mount - 7 Inch

Product Code: BR-CFM7

H: 31 cm x W: 18 cm x D: 18 cm



SPECIFICATIONS

We meet all UK and EU lighting and safety regulations.

Our products are hand finished to ensure an authentic vintage look and therefore they may vary slightly from those shown in the images.

Bulb required: Standard screw (E27) fitting, max 40W.

Shade weight: 0.35 kg | **Holder weight:** 0.5 kg

Maximum weight: 0.85kg

INFORMATION

Finishes: Brass, Pewter, Copper.

Ready to be installed, installation required.

Wall mount screws not included.

Holders available: Brass, Pewter, Copper.

DIMENSIONS

Shade Diameter: 18 cm / 7"

Shade Height (no holder): 15 cm / 6.1"

Holder Diameter: 6 cm / 2.5"

Holder Height: 18 cm / 7.1"

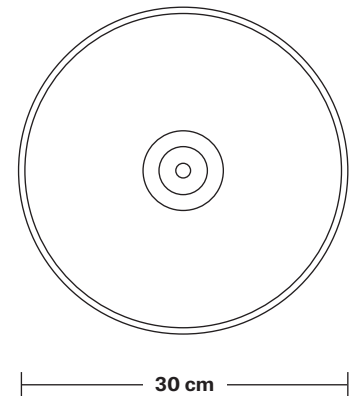
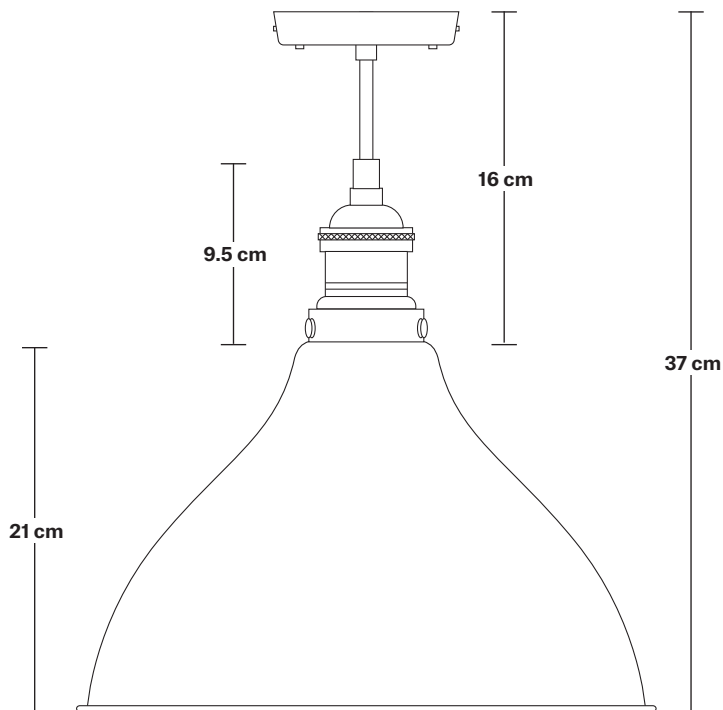
Ceiling Rose Diameter: 12 cm / 4.9"

Ceiling Rose Height: 2 cm / 0.8"

Brooklyn Cone Flush Mount - 12 Inch

Product Code: BR-CFM12

H: 30.5 cm x W: 30 cm x D: 30 cm



SPECIFICATIONS

We meet all UK and EU lighting and safety regulations.

Our products are hand finished to ensure an authentic vintage look and therefore they may vary slightly from those shown in the images.

Bulb required: Standard screw (E27) fitting, max 40W.

Shade weight: 0.85 kg | **Holder weight:** 0.5 kg

Maximum weight: 1.35 kg

INFORMATION

Finishes: Brass, Pewter.

Ready to be installed, installation required.

Wall mount screws not included.

Holders available: Brass, Pewter.

DIMENSIONS

Shade Diameter: 30 cm / 12"

Shade Height (no holder): 21 cm / 8.3"

Holder Diameter: 6 cm / 2.5"

Holder Height: 18 cm / 7.1"

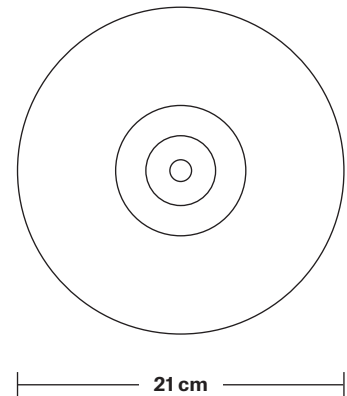
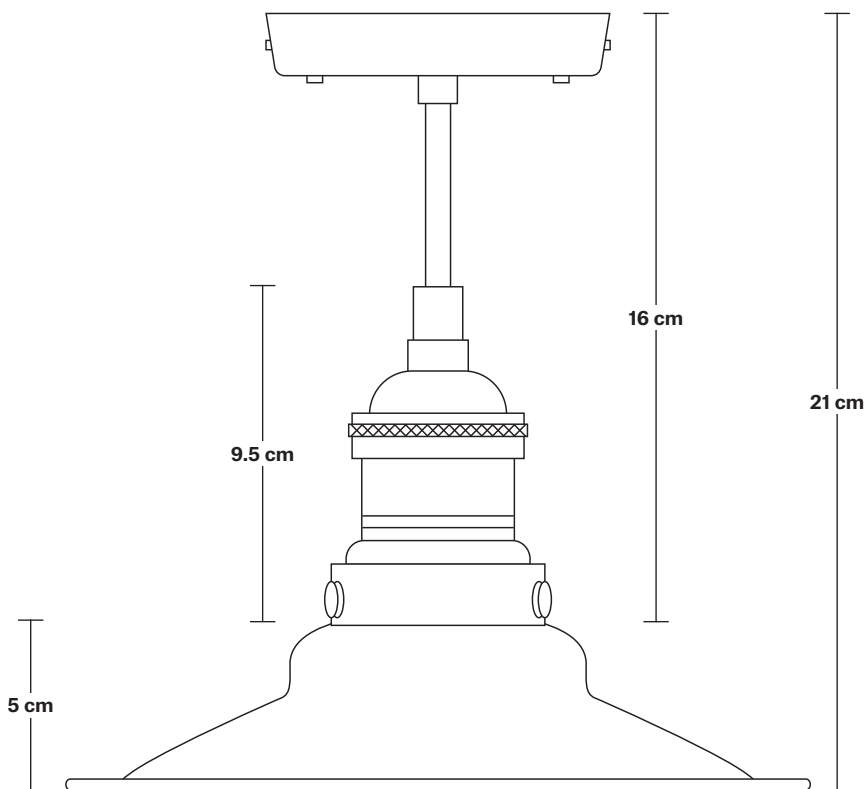
Ceiling Rose Diameter: 12 cm / 4.9"

Ceiling Rose Height: 2 cm / 0.8"

Brooklyn Flat Flush Mount - 8 Inch

Product Code: BR-FFM8

H: 21 cm x W: 21 cm x D: 21 cm



SPECIFICATIONS

We meet all UK and EU lighting and safety regulations.

Our products are hand finished to ensure an authentic vintage look and therefore they may vary slightly from those shown in the images.

Bulb required: Standard screw (E27) fitting, max 40W.

Shade weight: 0.3 kg | **Holder weight:** 0.5 kg

Maximum weight: 0.8 kg

INFORMATION

Finishes: Brass, Pewter, Copper.

Ready to be installed, installation required.

Wall mount screws not included.

Holders available: Brass, Pewter, Copper.

DIMENSIONS

Shade Diameter: 21 cm / 8.2"

Shade Height (no holder): 5 cm / 2"

Holder Diameter: 6 cm / 2.5"

Holder Height: 18 cm / 7.1"

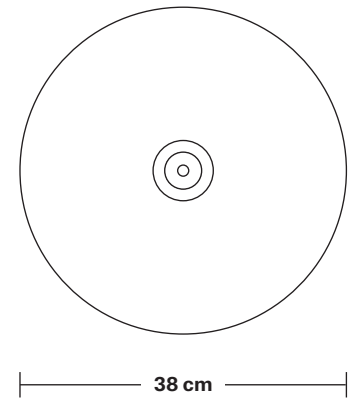
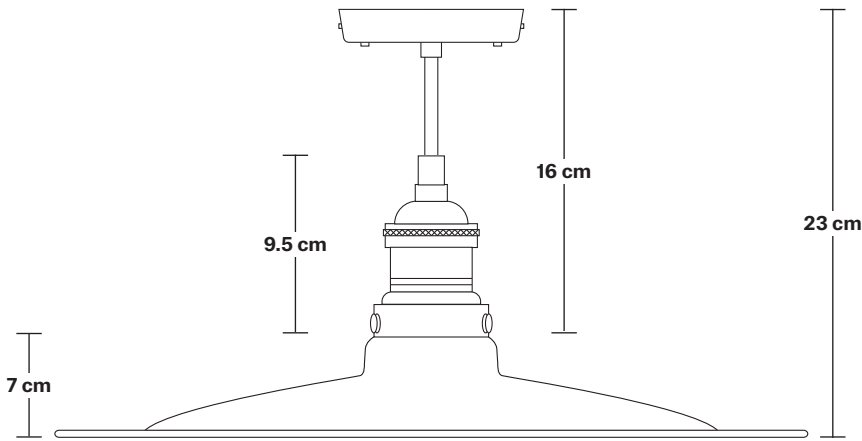
Ceiling Rose Diameter: 12 cm / 4.9"

Ceiling Rose Height: 2 cm / 0.8"

Brooklyn Flat Flush Mount - 15 Inch

Product Code: BR-FFM15

H: 23 cm x W: 38 cm x D: 38 cm



SPECIFICATIONS

We meet all UK and EU lighting and safety regulations.

Our products are hand finished to ensure an authentic vintage look and therefore they may vary slightly from those shown in the images.

Bulb required: Standard screw (E27) fitting, max 40W.

Shade weight: 0.9 kg | **Holder weight:** 0.5 kg

Maximum weight: 1.4 kg

INFORMATION

Finishes: Brass, Pewter, Copper.

Ready to be installed, installation required.

Wall mount screws not included.

Holders available: Brass, Pewter, Copper.

DIMENSIONS

Shade Diameter: 38 cm / 15"

Shade Height (no holder): 7 cm / 2.8"

Holder Diameter: 6 cm / 2.5"

Holder Height: 18 cm / 7.1"

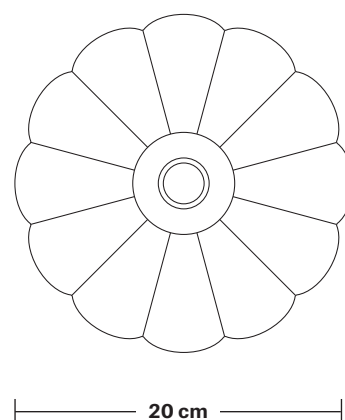
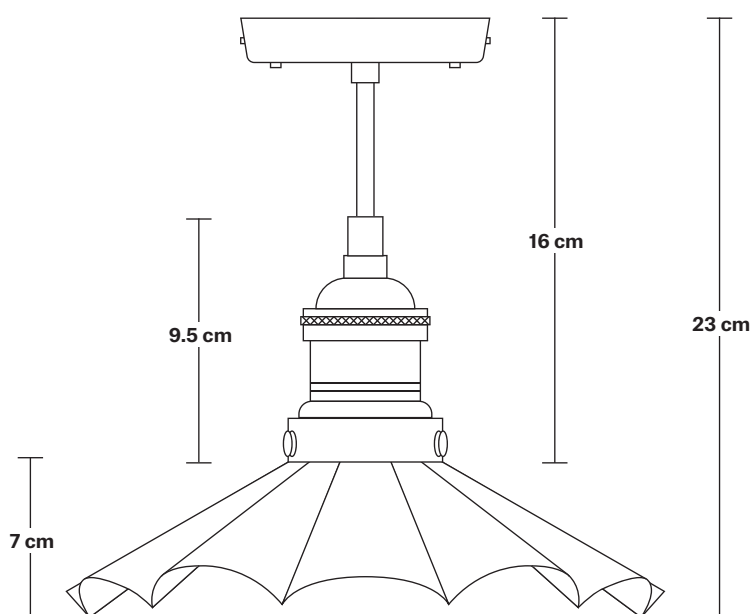
Ceiling Rose Diameter: 12 cm / 4.9"

Ceiling Rose Height: 2 cm / 0.8"

Brooklyn Umbrella Flush Mount - 8 Inch

Product Code: BR-UFM8

H: 23 cm x W: 20 cm x D: 20 cm



SPECIFICATIONS

We meet all UK and EU lighting and safety regulations.

Our products are hand finished to ensure an authentic vintage look and therefore they may vary slightly from those shown in the images.

Bulb required: Standard screw (E27) fitting, max 40W.

Shade weight: 0.2 kg | **Holder weight:** 0.5 kg

Maximum weight: 0.7 kg

INFORMATION

Finishes: Brass, Pewter, Copper.

Ready to be installed, installation required.

Wall mount screws not included.

Holders available: Brass, Pewter, Copper.

DIMENSIONS

Shade Diameter: 20 cm / 8"

Shade Height (no holder): 7 cm / 2.6"

Holder Diameter: 6 cm / 2.5"

Holder Height: 18 cm / 7.1"

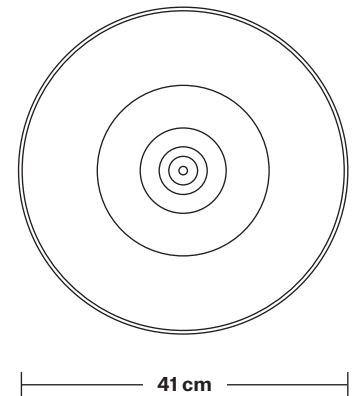
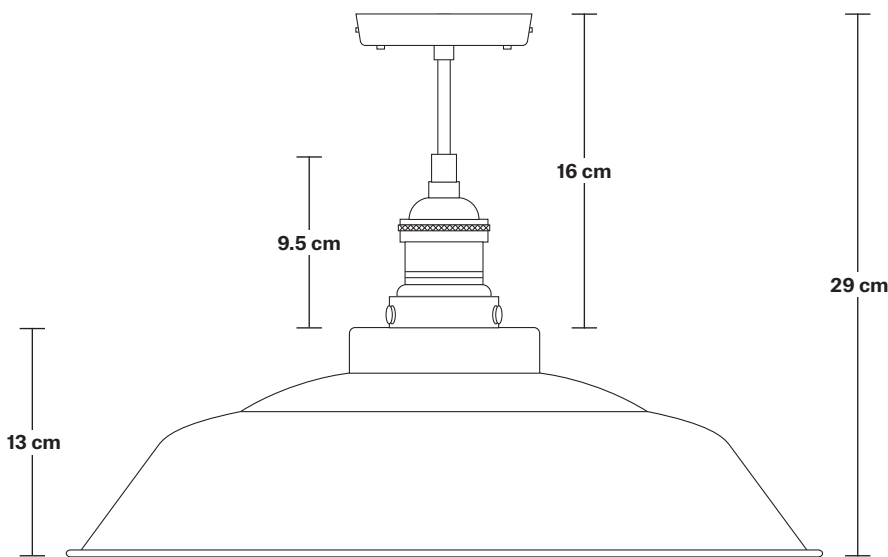
Ceiling Rose Diameter: 12 cm / 4.9"

Ceiling Rose Height: 2 cm / 0.8"

Brooklyn Step Flush Mount - 16 Inch

Product Code: BR-SFM16

H: 29 cm x W: 41 cm x D: 41 cm



SPECIFICATIONS

We meet all UK and EU lighting and safety regulations.

Our products are hand finished to ensure an authentic vintage look and therefore they may vary slightly from those shown in the images.

Bulb required: Standard screw (E27) fitting, max 40W.

Shade weight: 1.2 kg | **Holder weight:** 0.5 kg

Maximum weight: 1.7 kg

INFORMATION

Finishes: Brass, Pewter, Light Pewter.

Ready to be installed, installation required.

Wall mount screws not included.

Holders available: Brass, Pewter, Copper.

DIMENSIONS

Shade Diameter: 41 cm / 16"

Shade Height (no holder): 13 cm / 5.1"

Holder Diameter: 6 cm / 2.5"

Holder Height: 18 cm / 7.1"

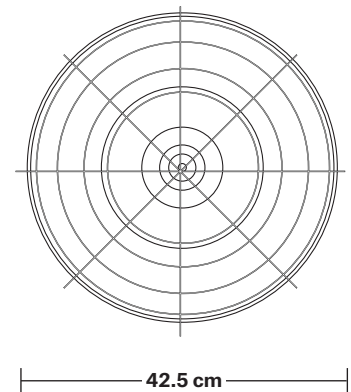
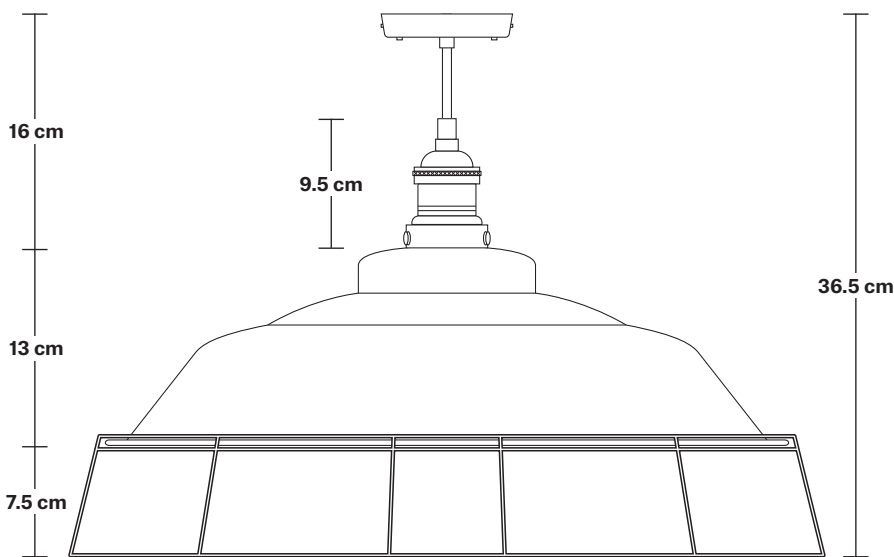
Ceiling Rose Diameter: 12 cm / 4.9"

Ceiling Rose Height: 2 cm / 0.8"

Brooklyn Step Flush Mount - 16 Inch - With Cage

Product Code: BR-SFM16-CG

H: 36.5 cm x W: 41 cm x D: 41 cm



SPECIFICATIONS

We meet all UK and EU lighting and safety regulations.

Our products are hand finished to ensure an authentic vintage look and therefore they may vary slightly from those shown in the images.

Bulb required: Standard screw (E27) fitting, max 40W.

Shade weight: 1.2 kg | **Holder weight:** 0.5 kg

Cage weight: 0.4 kg | **Max weight:** 2.1 kg

INFORMATION

Finishes: Brass, Pewter, Light Pewter.

Ready to be installed, installation required.

Wall mount screws not included.

Holders available: Brass, Pewter, Copper.

DIMENSIONS

Shade Diameter: 41 cm / 16"

Shade Height (no holder): 13 cm / 5.1"

Holder Diameter: 6 cm / 2.5"

Holder Height: 18 cm / 7.1"

Ceiling Rose Diameter: 12 cm / 4.9"

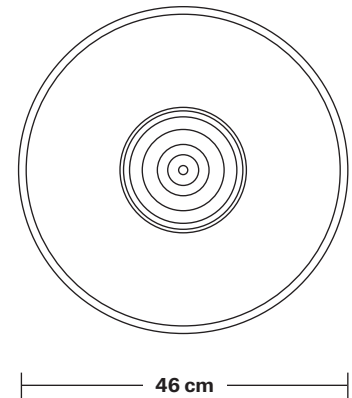
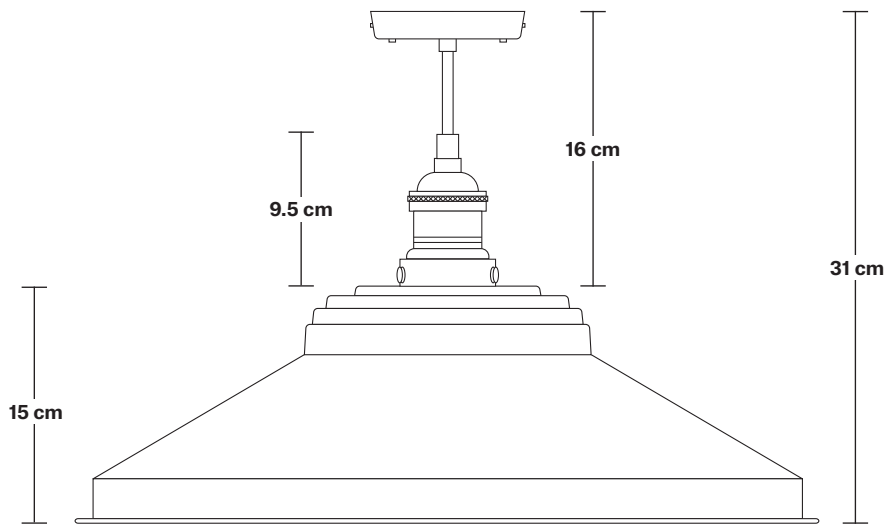
Ceiling Rose Height: 2 cm / 0.8"

Cage Diameter: 42.5 cm / 16.8"

Brooklyn Giant Step Flush Mount - 18 Inch

Product Code: BR-GSFM18

H: 31 cm x W: 46 cm x D: 46 cm



SPECIFICATIONS

We meet all UK and EU lighting and safety regulations.

Our products are hand finished to ensure an authentic vintage look and therefore they may vary slightly from those shown in the images.

Bulb required: Standard screw (E27) fitting, max 40W.

Shade weight: 1.4 kg | **Holder weight:** 0.5 kg

Maximum weight: 1.9 kg

INFORMATION

Finishes: Brass, Pewter.

Ready to be installed, installation required.

Wall mount screws not included.

Holders available: Brass, Pewter, Copper.

DIMENSIONS

Shade Diameter: 46 cm / 18"

Shade Height (no holder): 15 cm / 6"

Holder Diameter: 6 cm / 2.5"

Holder Height: 18 cm / 7.1"

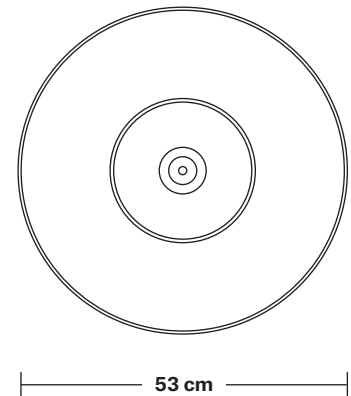
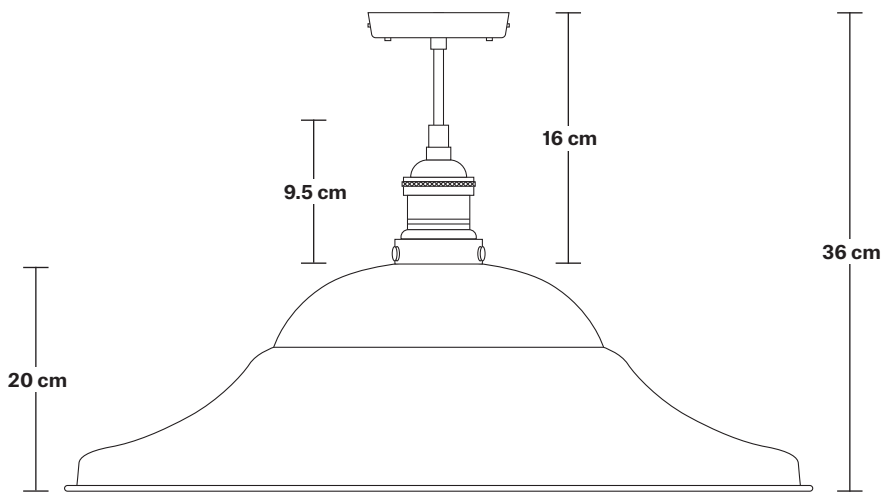
Ceiling Rose Diameter: 12 cm / 4.9"

Ceiling Rose Height: 2 cm / 0.8"

Brooklyn Giant Hat Flush Mount - 21 Inch

Product Code: BR-GHFM21

H: 36 cm x W: 53 cm x D: 53 cm



SPECIFICATIONS

We meet all UK and EU lighting and safety regulations.

Our products are hand finished to ensure an authentic vintage look and therefore they may vary slightly from those shown in the images.

Bulb required: Standard screw (E27) fitting, max 40W.

Shade weight: 1.8 kg | **Holder weight:** 0.5 kg

Maximum weight: 2.3 kg

INFORMATION

Finishes: Brass, Pewter, Copper.

Ready to be installed, installation required.

Wall mount screws not included.

Holders available: Brass, Pewter.

DIMENSIONS

Shade Diameter: 53 cm / 21"

Shade Height (no holder): 20 cm / 7.9"

Holder Diameter: 6 cm / 2.5"

Holder Height: 18 cm / 7.1"

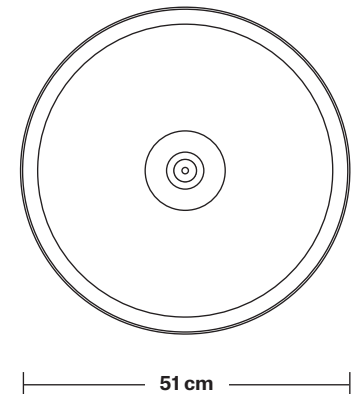
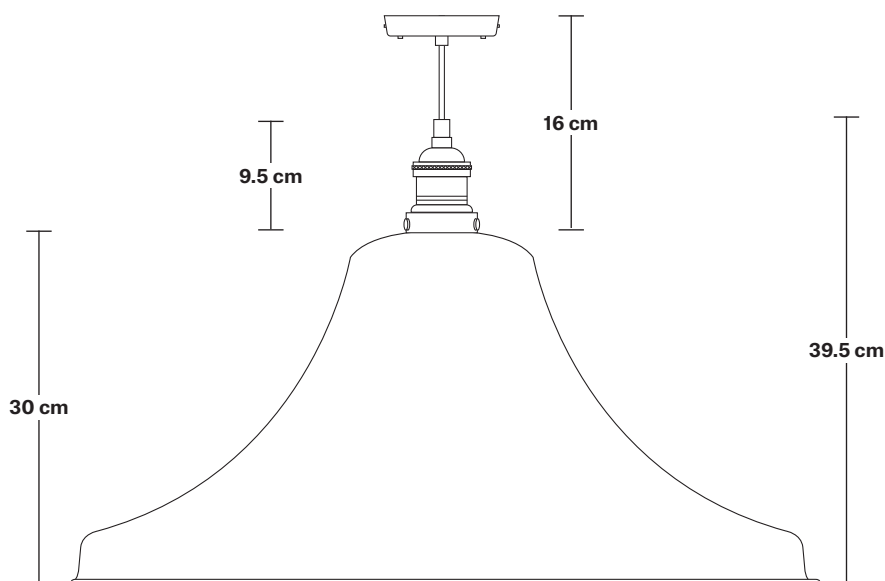
Ceiling Rose Diameter: 12 cm / 4.9"

Ceiling Rose Height: 2 cm / 0.8"

Brooklyn Giant Bell Flush Mount - 20 Inch

Product Code: BR-GBFM20

H: 39.5 cm x W: 51 cm x D: 51 cm



SPECIFICATIONS

We meet all UK and EU lighting and safety regulations.

Our products are hand finished to ensure an authentic vintage look and therefore they may vary slightly from those shown in the images.

Bulb required: Standard screw (E27) fitting, max 40W.

Shade weight: 1.8kg | **Holder weight:** 0.5 kg

Maximum weight: 2.3 kg

INFORMATION

Finishes: Brass, Pewter.

Ready to be installed, installation required.

Wall mount screws not included.

Holders available: Brass, Pewter, Pewter Chain Holder.

Holder mount: Pewter.

DIMENSIONS

Shade Diameter: 51 cm / 20"

Shade Height (no holder): 30 cm / 11.8"

Holder Diameter: 6 cm / 2.5"

Holder Height: 18 cm / 7.1"

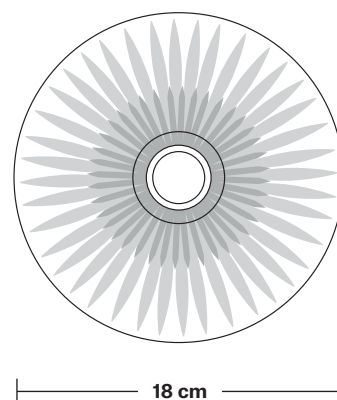
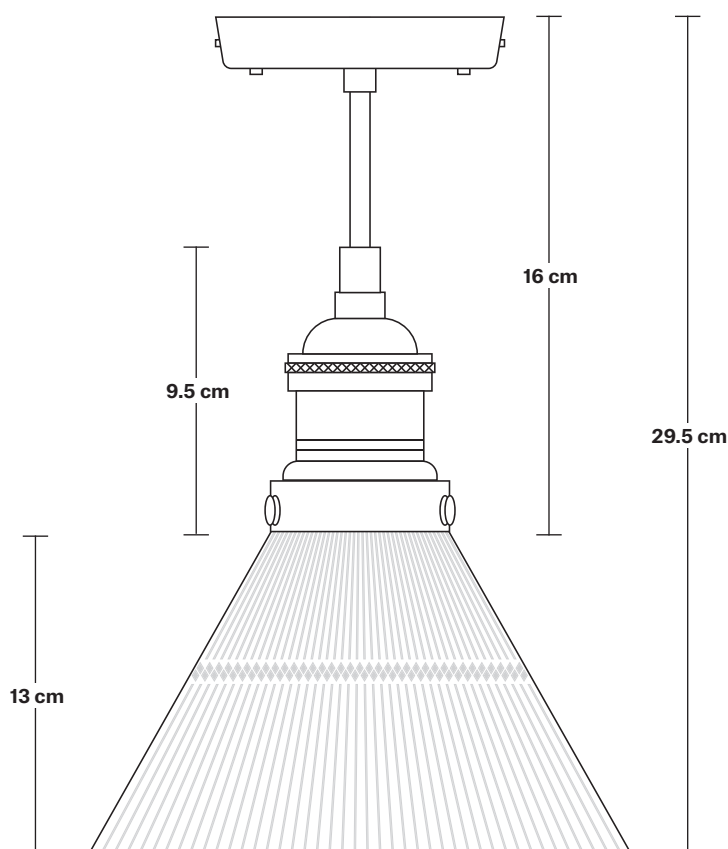
Ceiling Rose Diameter: 12 cm / 4.9"

Ceiling Rose Height: 2 cm / 0.8"

Brooklyn Glass Funnel Flush Mount - 7 Inch

Product Code: BR-GLFFM7

H: 29.5 cm x W: 18 cm x D: 18 cm



SPECIFICATIONS

We meet all UK and EU lighting and safety regulations.

Our products are hand finished to ensure an authentic vintage look and therefore they may vary slightly from those shown in the images.

Bulb required: Standard screw (E27) fitting, max 40W.

Shade weight: 0.6 kg | **Holder weight:** 0.5 kg

Maximum weight: 1.1 kg

INFORMATION

Finishes: Glass.

Ready to be installed, installation required.

Wall mount screws not included.

Holders available: Brass, Pewter, Copper.

Ceiling rose: Pewter.

DIMENSIONS

Shade Diameter: 18 cm / 7"

Shade Height (no holder): 13 cm / 5.3"

Holder Diameter: 6 cm / 2.5"

Holder Height: 18 cm / 7.1"

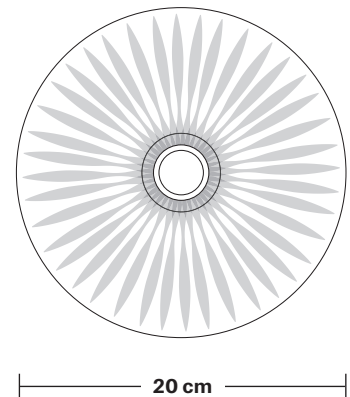
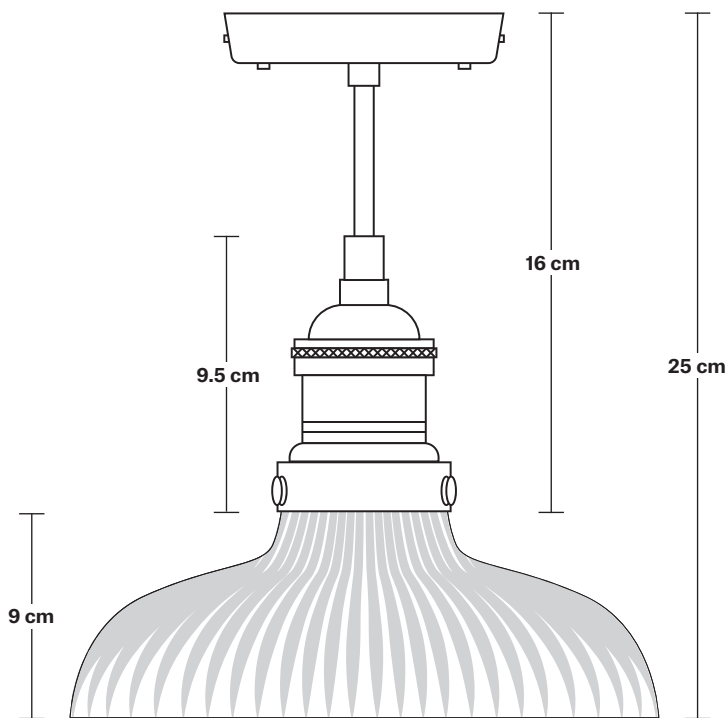
Ceiling Rose Diameter: 12 cm / 4.9"

Ceiling Rose Height: 2 cm / 0.8"

Brooklyn Glass Dome Flush Mount - 8 Inch

Product Code: BR-GLDFM8

H: 25 cm x W: 20 cm x D: 20 cm



SPECIFICATIONS

We meet all UK and EU lighting and safety regulations.

Our products are hand finished to ensure an authentic vintage look and therefore they may vary slightly from those shown in the images.

Bulb required: Standard screw (E27) fitting, max 40W.

Shade weight: 0.65 kg | **Holder weight:** 0.5 kg

Maximum weight: 1.15 kg

INFORMATION

Finishes: Glass.

Ready to be installed, installation required.

Wall mount screws not included.

Holders available: Brass, Pewter, Copper.

Holder mount: Pewter.

DIMENSIONS

Shade Diameter: 20 cm / 8"

Shade Height (no holder): 9 cm / 3.5"

Holder Diameter: 6 cm / 2.5"

Holder Height: 18 cm / 7.1"

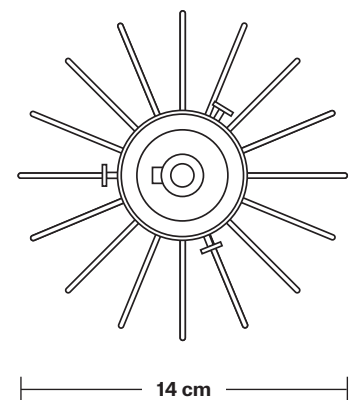
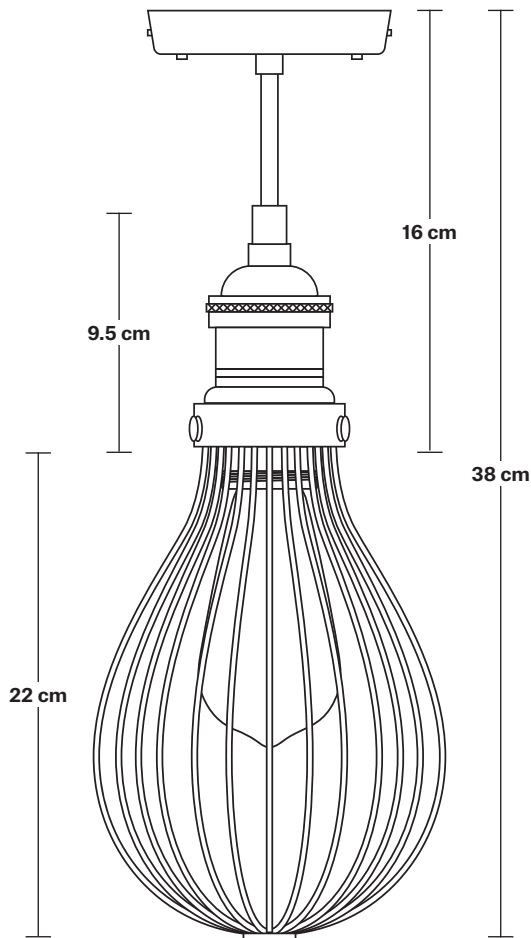
Ceiling Rose Diameter: 12 cm / 4.9"

Ceiling Rose Height: 2 cm / 0.8"

Brooklyn Balloon Cage Flush Mount - 6 Inch

Product Code: BR-BCFM6

H: 38 cm x W: 14 cm x D: 14 cm



SPECIFICATIONS

We meet all UK and EU lighting and safety regulations.

Our products are hand finished to ensure an authentic vintage look and therefore they may vary slightly from those shown in the images.

Bulb required: Standard screw (E27) fitting, max 40W.

Shade weight: 0.25 kg | **Holder weight:** 0.5 kg

Maximum weight: 0.75 kg

INFORMATION

Finishes: Pewter, Copper.

Ready to be installed, installation required.

Wall mount screws not included.

Holders available: Brass, Pewter, Copper.

Ceiling rose: Pewter.

DIMENSIONS

Shade Diameter: 14 cm / 5.5"

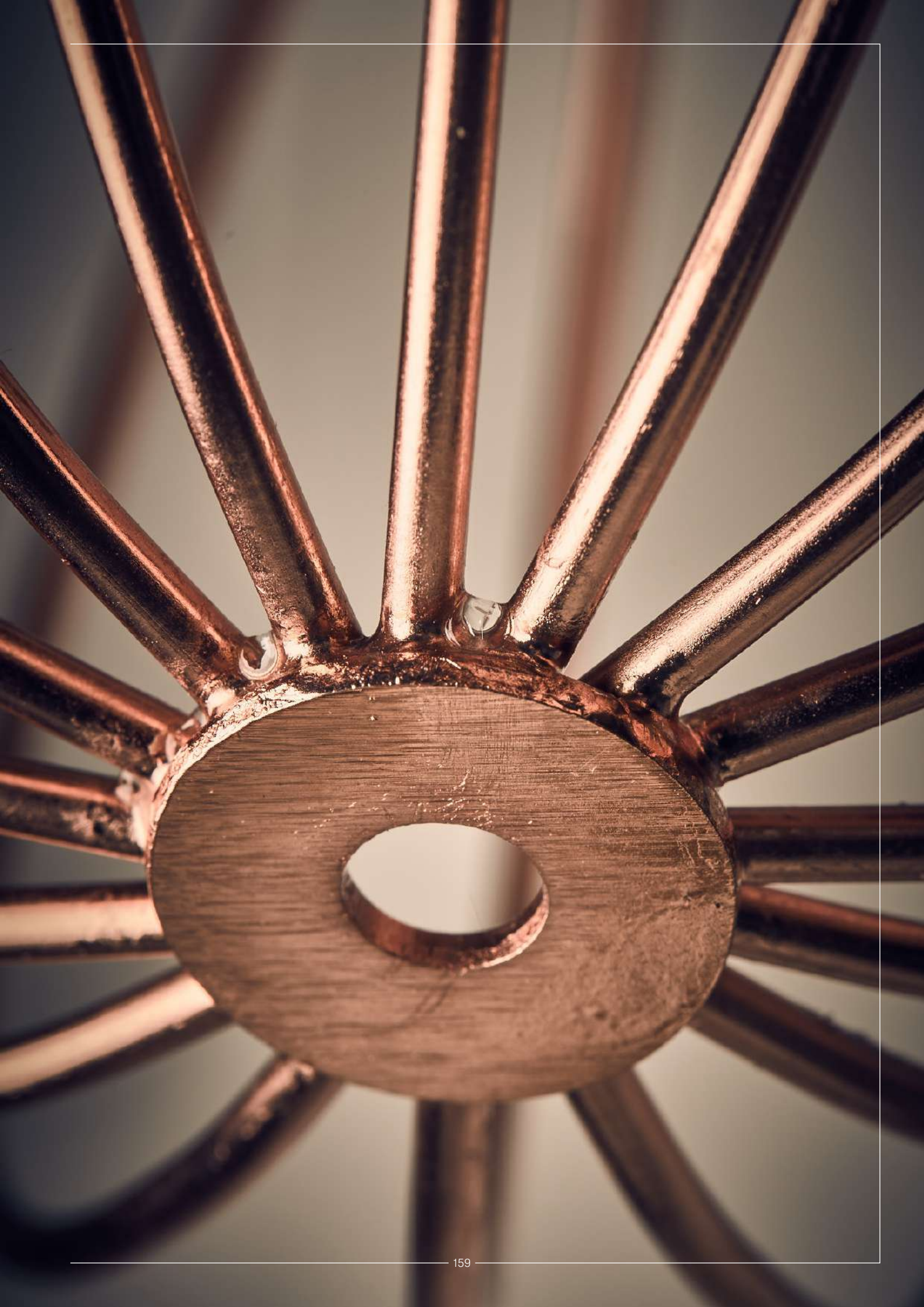
Shade Height (no holder): 22 cm / 8.6"

Holder Diameter: 6 cm / 2.5"

Holder Height: 18 cm / 7.1"

Ceiling Rose Diameter: 12 cm / 4.9"

Ceiling Rose Height: 2 cm / 0.8"



Brooklyn Outdoor & Bathroom

These ceiling fittings are completely pre-wired and only require a small amount of assembly after connecting to the mains wiring:

- Once the Flushmount is installed, unscrew the black ring.

- Hold the shade in place onto the holder.

- After holding the shade in its place, place the threaded metal ring beneath the shade (if you don't want to have a shade, simply screw the threaded metal ring directly on the

holder).

- Once in place, begin to screw the black ring.

- Once secure, it will hold the shade and the threaded metal ring to the holder.

- Once in place, install the bulb.

- After installing the bulb, screw in the glass cover.

- Once secure, your Flush Mount is now installed.

**Flush Mount Holder –
Tube** 162

**Flush Mount Holder –
Globe** 163

Tube Glass 164

Globe Glass 165

Dome 166

Step 169

Giant Step 170

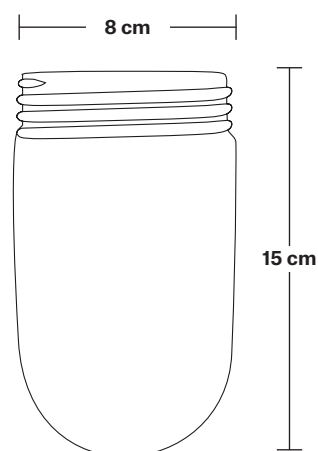
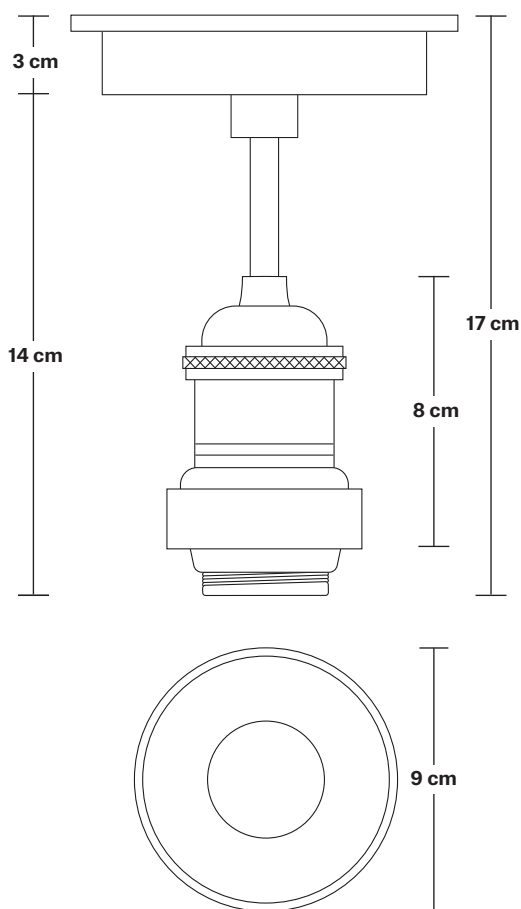
Giant Hat 171

Giant Bell 172

Brooklyn Outdoor & Bathroom Flush Mount Holder - Tube Glass

Product Code: BR-IP65-FMH

H: 17 cm x W: 13.5 cm x D: 13.5 cm



SPECIFICATIONS

We meet all UK and EU lighting and safety regulations.

Our products are hand finished to ensure an authentic vintage look and therefore they may vary slightly from those shown in the images.

Bulb required: Standard screw (E27) fitting, max 40W.

Holder weight: 0.87 kg | **Glass weight:** 0.3 kg

INFORMATION

Finishes: Brass, Pewter, Copper.

Ready to be installed, installation required.

Wall mount screws not included.

Ceiling rose: Pewter.

IP rating: IP65 with Tube glass.

DIMENSIONS

Holder Diameter: 6 cm / 2.5"

Holder Height: 17 cm / 6.6"

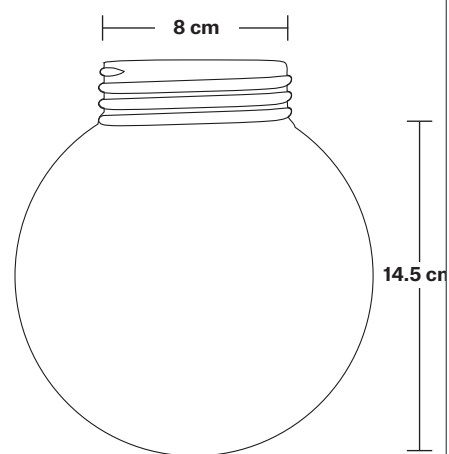
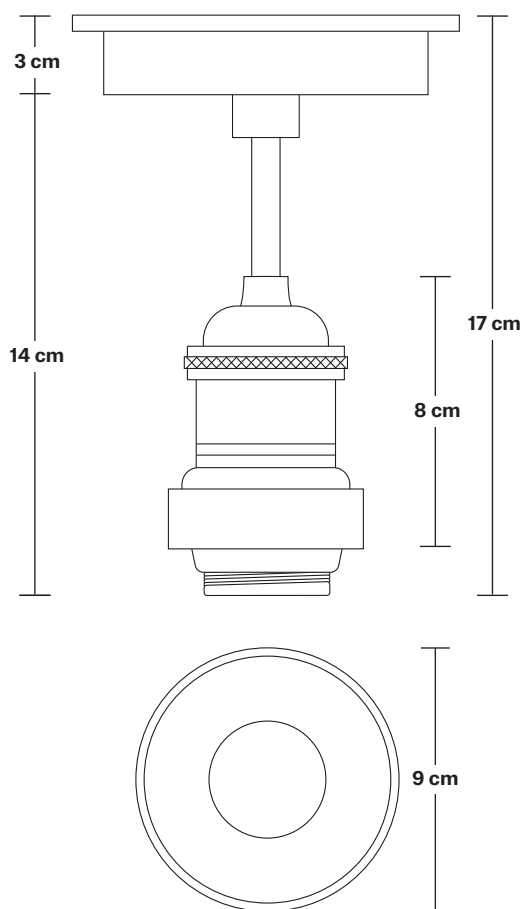
Ceiling Rose Diameter: 13.5 cm / 5.3"

Ceiling Rose Height: 3 cm / 1.2"

Brooklyn Outdoor & Bathroom Flush Mount Holder - Globe Glass

Product Code: BR-IP65-FMH-GLG

H: 17 cm x W: 13.5 cm x D: 13.5 cm



SPECIFICATIONS

We meet all UK and EU lighting and safety regulations.

Our products are hand finished to ensure an authentic vintage look and therefore they may vary slightly from those shown in the images.

Bulb required: Standard screw (E27) fitting, max 40W.

Holder weight: 0.87 kg | **Glass weight:** 0.3 kg

INFORMATION

Finishes: Brass, Pewter, Copper.

Ready to be installed, installation required.

Wall mount screws not included.

Ceiling rose: Pewter.

IP rating: IP65 with Globe glass.

DIMENSIONS

Holder Diameter: 6 cm / 2.5"

Holder Height: 17 cm / 6.6"

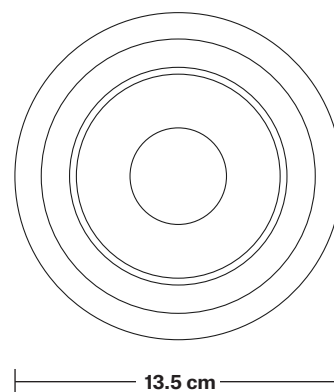
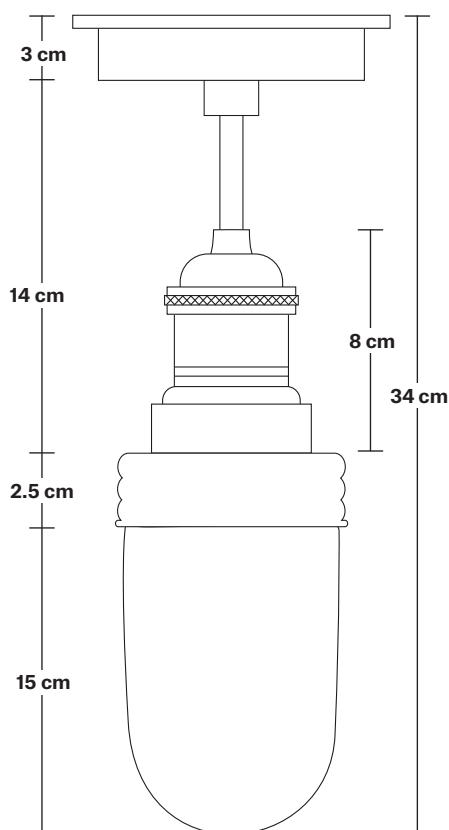
Ceiling Rose Diameter: 13.5 cm / 5.3"

Ceiling Rose Height: 3 cm / 1.2"

Brooklyn Outdoor & Bathroom Flush Mount

Product Code: BR-IP65-FM

H: 34 cm x W: 13.5 cm x D: 13.5 cm



SPECIFICATIONS

We meet all UK and EU lighting and safety regulations.

Our products are hand finished to ensure an authentic vintage look and therefore they may vary slightly from those shown in the images.

Bulb required: Standard screw (E27) fitting, max 40W.

Weight: 0.9 kg

INFORMATION

Finishes: Brass, Pewter, Copper.

Ready to be installed, installation required.

Wall mount screws not included.

Ceiling rose: Pewter.

IP rating: IP65 with glass.

DIMENSIONS

Holder Diameter: 6 cm / 2.5"

Holder Height: 17 cm / 6.6"

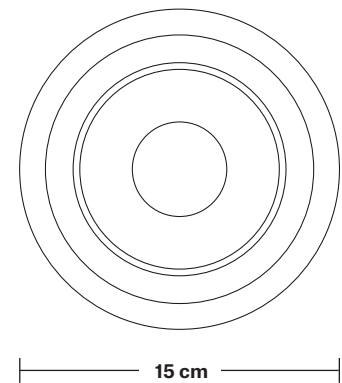
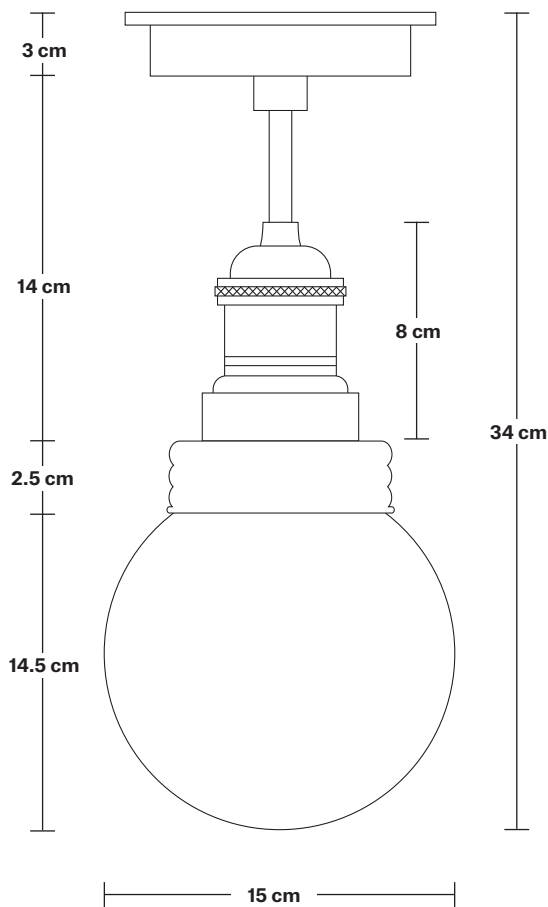
Ceiling Rose Diameter: 13.5 cm / 5.3"

Ceiling Rose Height: 3 cm / 1.2"

Brooklyn Outdoor & Bathroom Flush Mount - Globe Glass

Product Code: BR-IP65-FM-GLG

H: 34 cm x W: 15 cm x D: 15 cm



SPECIFICATIONS

We meet all UK and EU lighting and safety regulations.

Our products are hand finished to ensure an authentic vintage look and therefore they may vary slightly from those shown in the images.

Bulb required: Standard screw (E27) fitting, max 40W.

Weight: 0.9 kg

INFORMATION

Finishes: Brass, Pewter, Copper.

Ready to be installed, installation required.

Wall mount screws not included.

Ceiling rose: Pewter.

IP rating: IP65 with Globe glass.

DIMENSIONS

Holder Diameter: 6 cm / 2.5"

Holder Height: 17 cm / 6.6"

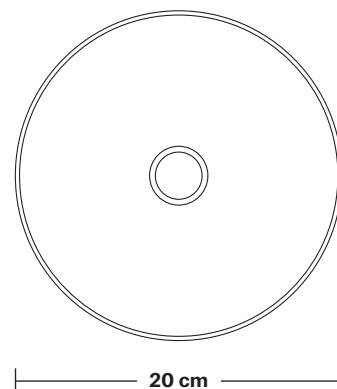
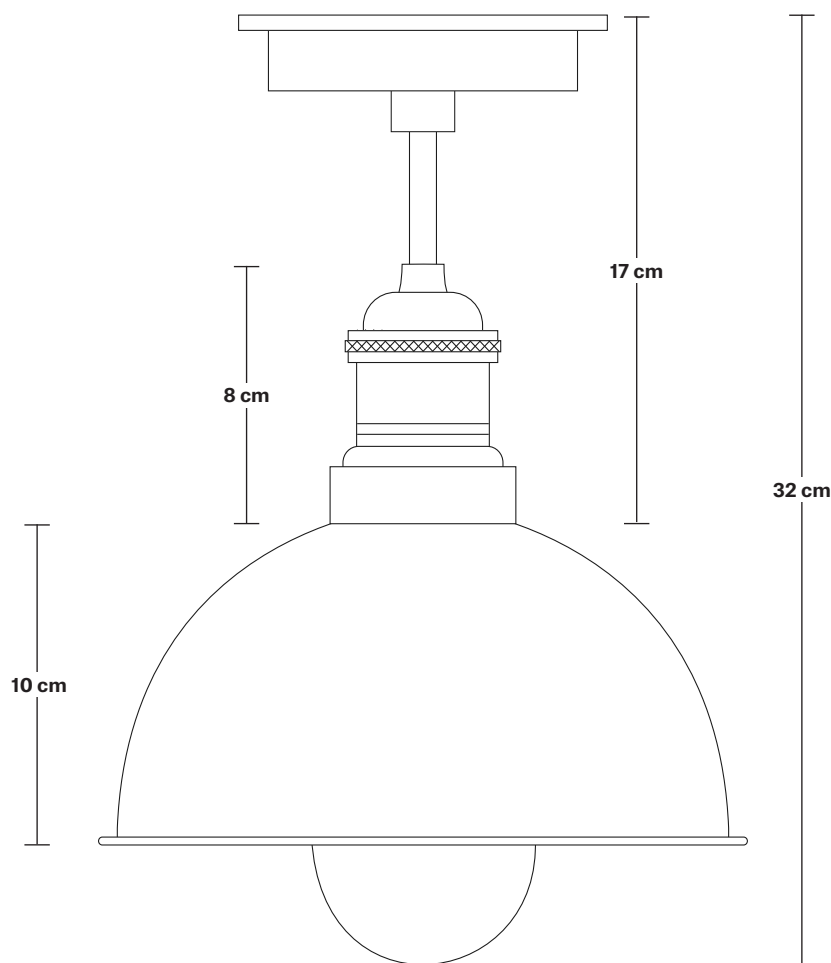
Ceiling Rose Diameter: 13.5 cm / 5.3"

Ceiling Rose Height: 3 cm / 1.2"

Brooklyn Outdoor & Bathroom Dome Flush Mount - 8 Inch - Tube Glass

Product Code: BR-IP65-DFM8

H: 32 cm x W: 20 cm x D: 20 cm



SPECIFICATIONS

We meet all UK and EU lighting and safety regulations.

Our products are hand finished to ensure an authentic vintage look and therefore they may vary slightly from those shown in the images.

Bulb required: Standard screw (E27) fitting, max 40W.

Shade weight: 0.4 kg | **Holder weight:** 0.9 kg

Maximum weight: 1.3 kg

INFORMATION

Finishes: Brass, Copper, Pewter & Copper, Pewter & Brass.

Ready to be installed, installation required.

Wall mount screws not included.

Holders available: Brass, Pewter, Copper.

Ceiling rose: Pewter.

IP rating: IP65 with Tube glass.

DIMENSIONS

Shade Diameter: 20 cm / 8"

Shade Height (no holder): 10 cm / 4"

Holder Diameter: 6 cm / 2.5"

Holder Height: 17 cm / 6.6"

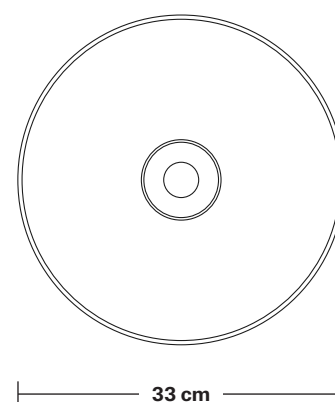
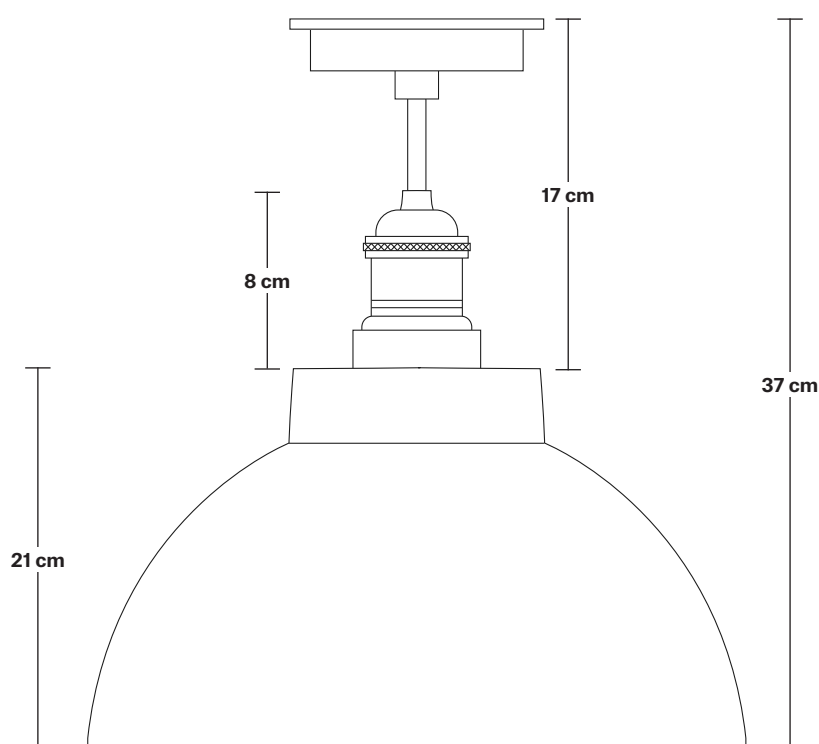
Ceiling Rose Diameter: 13.5 cm / 5.3"

Ceiling Rose Height: 3 cm / 1.2"

Brooklyn Outdoor & Bathroom Dome Flush Mount - 13 Inch

Product Code: BR-IP65-DFM13

H: 37 cm x W: 33 cm x D: 33 cm



SPECIFICATIONS

We meet all UK and EU lighting and safety regulations.

Our products are hand finished to ensure an authentic vintage look and therefore they may vary slightly from those shown in the images.

Bulb required: Standard screw (E27) fitting, max 40W.

Shade weight: 1.1 kg | **Holder weight:** 0.9 kg

Maximum weight: 2 kg

INFORMATION

Finishes: Brass, Copper, Copper & Pewter, Brass & Pewter.

Ready to be installed, installation required.

Wall mount screws not included.

Holders available: Brass, Pewter, Copper.

Ceiling rose: Pewter.

IP rating: IP65 with glass (Tube, Globe).

DIMENSIONS

Shade Diameter: 33 cm / 13"

Shade Height (no holder): 21 cm / 8.3"

Holder Diameter: 6 cm / 2.5"

Holder Height: 17 cm / 6.6"

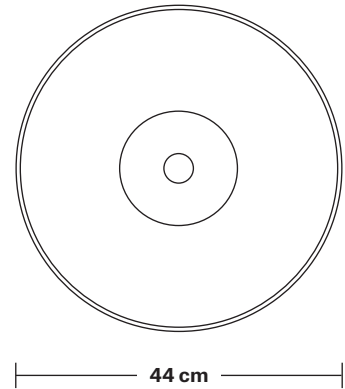
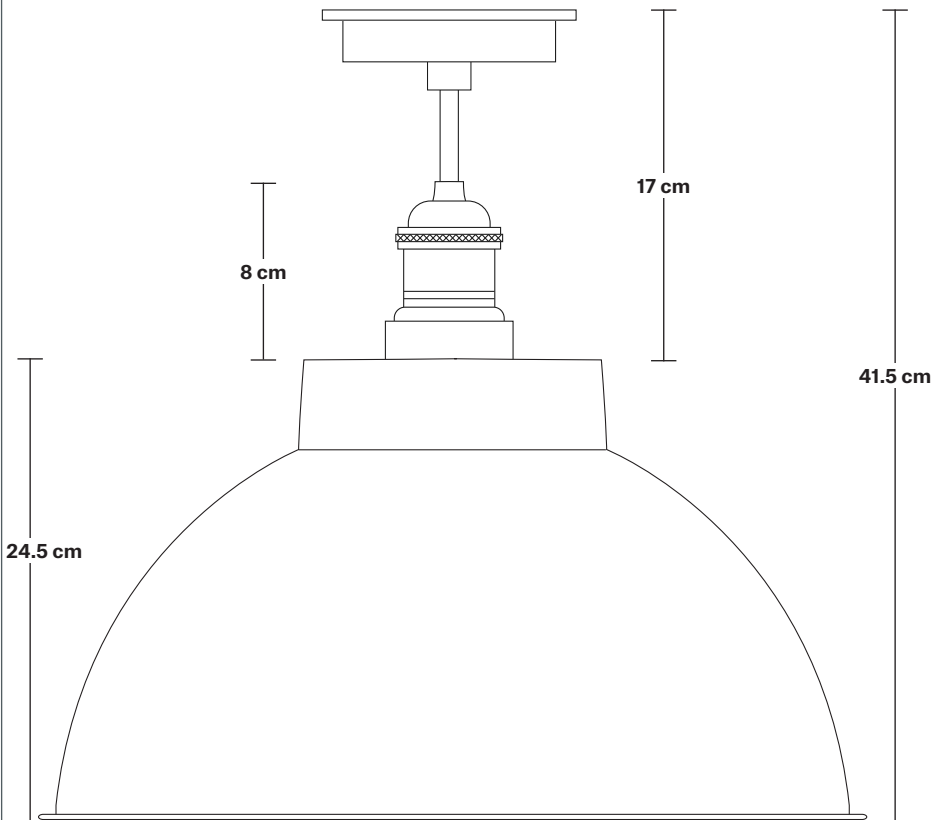
Ceiling Rose Diameter: 13.5 cm / 5.3"

Ceiling Rose Height: 3 cm / 1.2"

Brooklyn Outdoor & Bathroom Dome Flush Mount - 17 Inch

Product Code: BR-IP65-DFM17

H: 41.5 cm x W: 44 cm x D: 44 cm



SPECIFICATIONS

We meet all UK and EU lighting and safety regulations.

Our products are hand finished to ensure an authentic vintage look and therefore they may vary slightly from those shown in the images.

Bulb required: Standard screw (E27) fitting, max 40W.

Shade weight: 2.1 kg | **Holder weight:** 0.9 kg

Maximum weight: 3 kg

INFORMATION

Finishes: Brass, Copper & Pewter, Brass & Pewter.

Ready to be installed, installation required.

Wall mount screws not included.

Holders available: Brass, Pewter, Copper.

Ceiling rose: Pewter.

IP rating: IP65 with glass (Tube, Globe).

DIMENSIONS

Shade Diameter: 44 cm / 17.3"

Shade Height (no holder): 24.5 cm / 9.6"

Holder Diameter: 6 cm / 2.5"

Holder Height: 17 cm / 6.6"

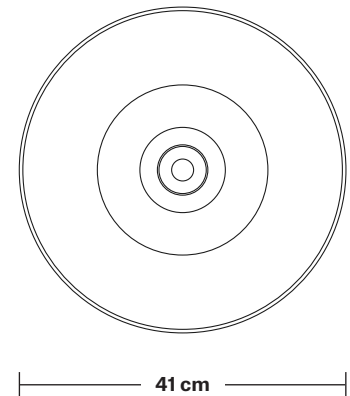
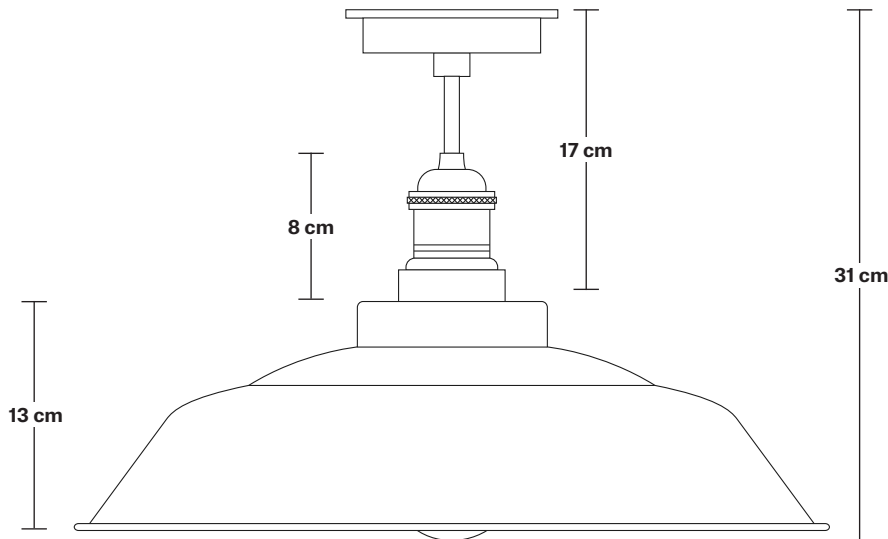
Ceiling Rose Diameter: 13.5 cm / 5.3"

Ceiling Rose Height: 3 cm / 1.2"

Brooklyn Outdoor & Bathroom Step Flush Mount - 16 Inch

Product Code: BR-IP65-SFM16

H: 31 cm x W: 41 cm x D: 41 cm



SPECIFICATIONS

We meet all UK and EU lighting and safety regulations.

Our products are hand finished to ensure an authentic vintage look and therefore they may vary slightly from those shown in the images.

Bulb required: Standard screw (E27) fitting, max 40W.

Shade weight: 1.2 kg | **Holder weight:** 0.9 kg

Maximum weight: 2.1 kg

INFORMATION

Finishes: Brass.

Ready to be installed, installation required.

Wall mount screws not included.

Holders available: Brass, Pewter.

Ceiling rose: Pewter.

IP rating: IP65 with glass (Tube, Globe).

DIMENSIONS

Shade Diameter: 41 cm / 16"

Shade Height (no holder): 13 cm / 5.1"

Holder Diameter: 6 cm / 2.5"

Holder Height: 17 cm / 6.6"

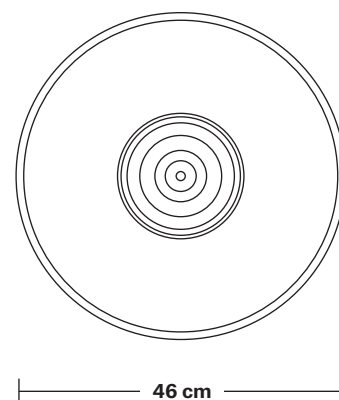
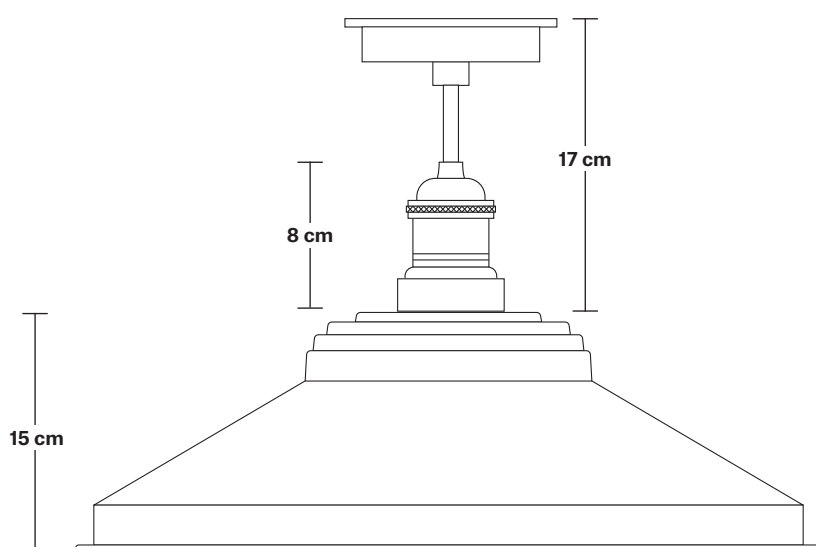
Ceiling Rose Diameter: 13.5 cm / 5.3"

Ceiling Rose Height: 3 cm / 1.2"

Brooklyn Outdoor & Bathroom Giant Step Flush Mount - 18 Inch

Product Code: BR-IP65-GSFM18

H: 32 cm x W: 46 cm x D: 46 cm



SPECIFICATIONS

We meet all UK and EU lighting and safety regulations.

Our products are hand finished to ensure an authentic vintage look and therefore they may vary slightly from those shown in the images.

Bulb required: Standard screw (E27) fitting, max 40W.

Shade weight: 1.4 kg | **Holder weight:** 0.9 kg

Maximum weight: 2.3 kg

INFORMATION

Finishes: Brass.

Ready to be installed, installation required.

Wall mount screws not included.

Holders available: Brass, Pewter.

Ceiling rose: Pewter.

IP rating: IP65 with glass (Tube, Globe).

DIMENSIONS

Shade Diameter: 46 cm / 18"

Shade Height (no holder): 15 cm / 6"

Holder Diameter: 6 cm / 2.5"

Holder Height: 17 cm / 6.6"

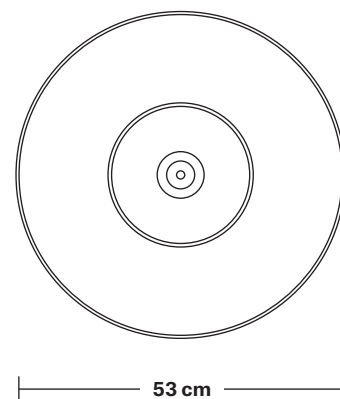
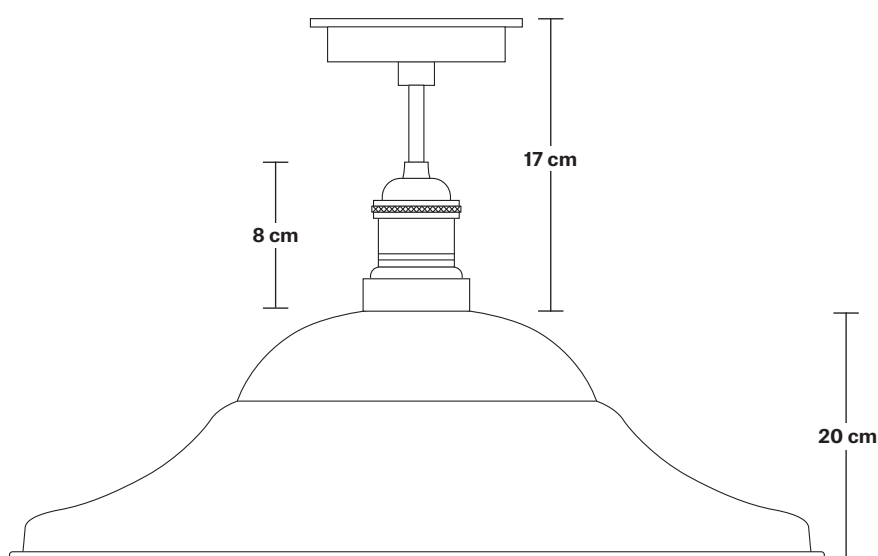
Ceiling Rose Diameter: 13.5 cm / 5.3"

Ceiling Rose Height: 3 cm / 1.2"

Brooklyn Outdoor & Bathroom Giant Hat Flush Mount - 21 Inch

Product Code: BR-IP65-GHFM21

H: 37 cm x W: 53 cm x D: 53 cm



SPECIFICATIONS

We meet all UK and EU lighting and safety regulations.

Our products are hand finished to ensure an authentic vintage look and therefore they may vary slightly from those shown in the images.

Bulb required: Standard screw (E27) fitting, max 40W.

Shade weight: 1.8 kg | **Holder weight:** 0.9 kg

Maximum weight: 2.7 kg

INFORMATION

Finishes: Brass.

Ready to be installed, installation required.

Wall mount screws not included.

Holders available: Brass, Pewter.

Ceiling rose: Pewter.

IP rating: IP65 with glass (Tube, Globe).

DIMENSIONS

Shade Diameter: 53 cm / 21"

Shade Height (no holder): 20 cm / 7.9"

Holder Diameter: 6 cm / 2.5"

Holder Height: 17 cm / 6.6"

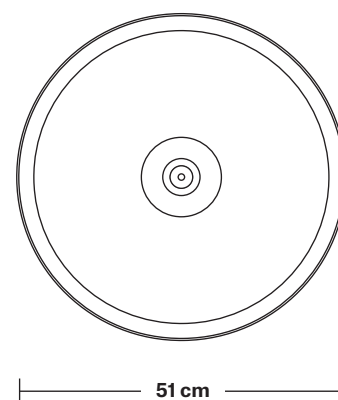
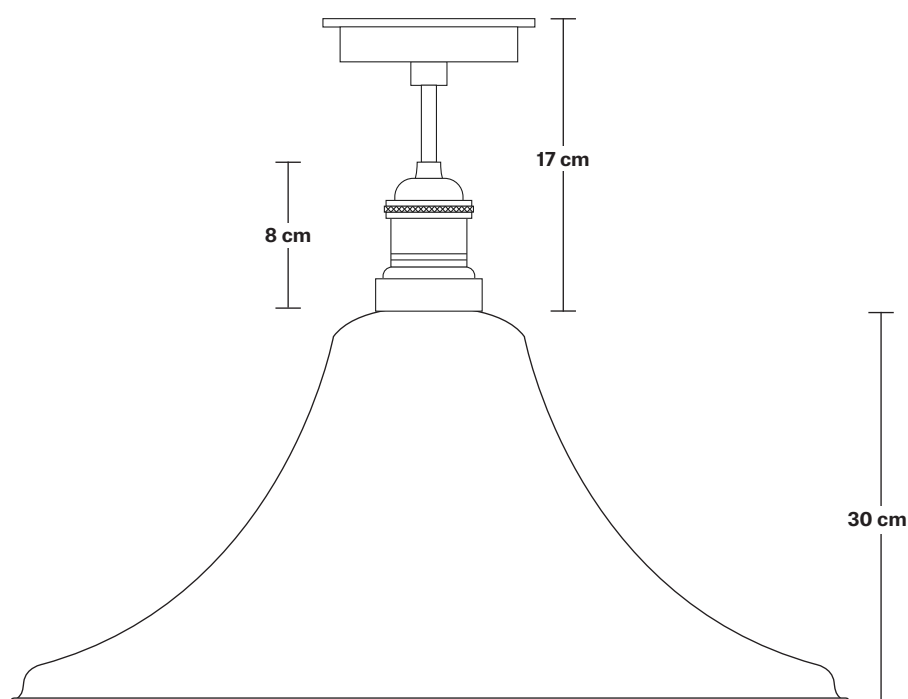
Ceiling Rose Diameter: 13.5 cm / 5.3"

Ceiling Rose Height: 3 cm / 1.2"

Brooklyn Outdoor & Bathroom Giant Bell Flush Mount - 20 Inch

Product Code: BR-IP65-GBLFM20

H: 47 cm x W: 51 cm x D: 51 cm



SPECIFICATIONS

We meet all UK and EU lighting and safety regulations.

Our products are hand finished to ensure an authentic vintage look and therefore they may vary slightly from those shown in the images.

Bulb required: Standard screw (E27) fitting, max 40W.

Shade weight: 1.8 kg | **Holder weight:** 0.9 kg

Maximum weight: 2.7 kg

INFORMATION

Finishes: Brass.

Ready to be installed, installation required.

Wall mount screws not included.

Holders available: Brass, Pewter.

Ceiling rose: Pewter.

IP rating: IP65 with glass (Tube, Globe).

DIMENSIONS

Shade Diameter: 51 cm / 20"

Shade Height (no holder): 30 cm / 11.8"

Holder Diameter: 6 cm / 2.5"

Holder Height: 17 cm / 6.6"

Ceiling Rose Diameter: 13.5 cm / 5.3"

Ceiling Rose Height: 3 cm / 1.2"



Barn

These ceiling fittings are completely pre-wired and only require a small amount of assembly after connecting to the mains wiring:

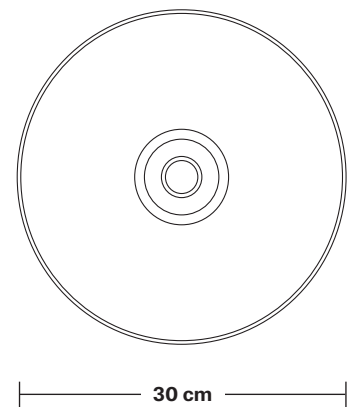
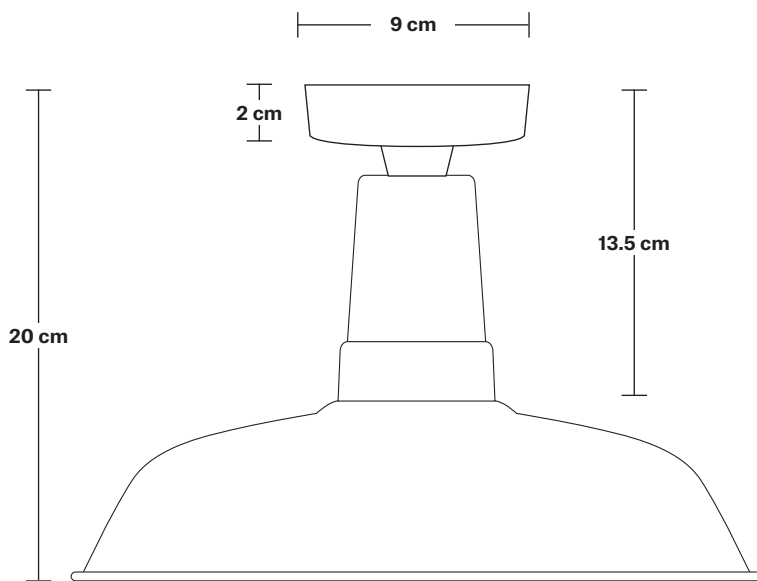
- Remove side screws from the ceiling bracket using a Philips screwdriver.
- Detach the ceiling rose from the bulb holder.
- Thread the bulb holder through the shade.
- Attach the mounting bracket to the ceiling with mounting screws (not provided).
- Make the connections as per the wiring instructions.
- After tucking back, the wiring in the ceiling, Attach the ceiling canopy to the mounting bracket with the help of mounting screws (not provided).
- Install the bulb, your Farmhouse Flush Mount is now installed.

Farmhouse ¹⁷⁶

Barn Farmhouse Flush Mount - 12 Inch

Product Code: BN-FHFM12

H: 20 cm x W: 30 cm x D: 30 cm



SPECIFICATIONS

We meet all UK and EU lighting and safety regulations.

Our products are hand finished to ensure an authentic vintage look and therefore they may vary slightly from those shown in the images.

Bulb required: Standard screw (E27) fitting, max 40W.

Shade weight: 0.69 kg | **Holder weight:** 0.2 kg

Maximum weight: 0.89 kg

INFORMATION

Finishes: Brass, Pewter.

Ready to be installed, installation required.

Wall mount screws not included.

Holders available: Brass, Pewter.

DIMENSIONS

Shade Diameter: 30 cm / 11.8"

Shade Height (no holder): 20 cm / 7.9"

Ceiling Mount Diameter: 9 cm / 3.6"

Holder Diameter: 4 cm / 1.6"

Holder Height: 11 cm / 4.3"



Barn

These ceiling fittings are completely pre-wired and only require a small amount of assembly after connecting to the mains wiring:

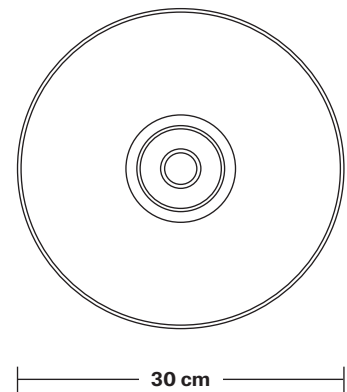
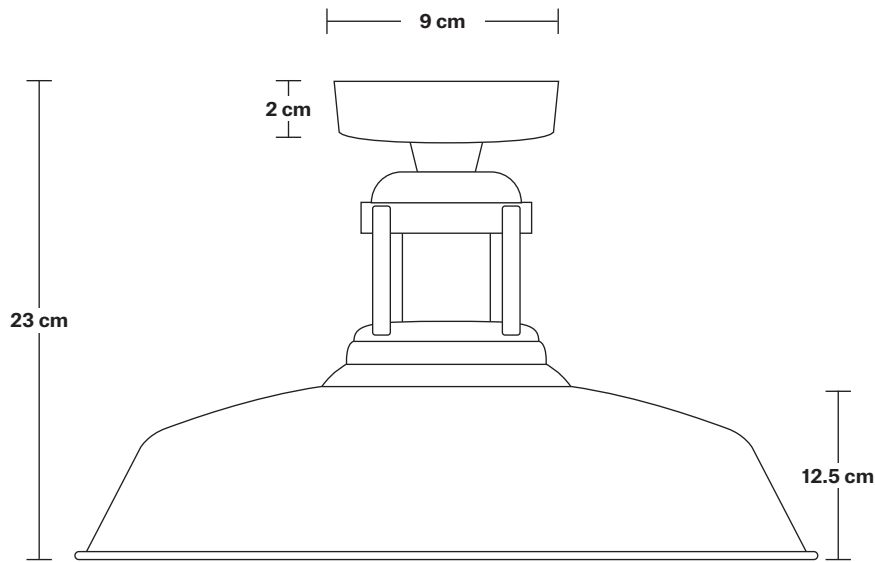
- Remove side screws from the ceiling bracket using a Philips screwdriver.
- Detach the ceiling rose from the bulb holder.
- Thread the bulb holder through the shade.
- Attach the mounting bracket to the ceiling with mounting screws (not provided).
- Make the connections as per the wiring's instructions.
- After tucking back, the wiring in the ceiling, Attach the ceiling canopy to the mounting bracket with the help of mounting screws

Slotted ¹⁸⁰

Barn Slotted Flush Mount - 12 Inch

Product Code: BN-SLFM12

H: 23 cm x W: 30 cm x D: 30 cm



SPECIFICATIONS

We meet all UK and EU lighting and safety regulations.

Our products are hand finished to ensure an authentic vintage look and therefore they may vary slightly from those shown in the images.

Bulb required: Standard screw (E27) fitting, max 40W.

Shade weight: 0.63 kg | **Holder weight:** 0.2 kg
Maximum weight: 0.83 kg

INFORMATION

Finishes: Brass, Pewter.

Ready to be installed, installation required.

Wall mount screws not included.

Holders available: Brass, Pewter.

DIMENSIONS

Shade Diameter: 30 cm / 11.8"

Shade Height (no holder): 23 cm / 9"

Ceiling Mount Diameter: 9 cm / 3.5"

Holder Diameter: 4 cm / 1.6"

Holder Height: 11 cm / 4.3"



Barn

These ceiling fittings are completely pre-wired and only require a small amount of assembly after connecting to the mains wiring:

- Remove side screws from the ceiling bracket using a Philips screwdriver.
- Make the connections as per the wiring's instructions.
- After tucking back, the wiring in the ceiling, attach the ceiling canopy to the mounting bracket with the help of mounting screws (not provided).

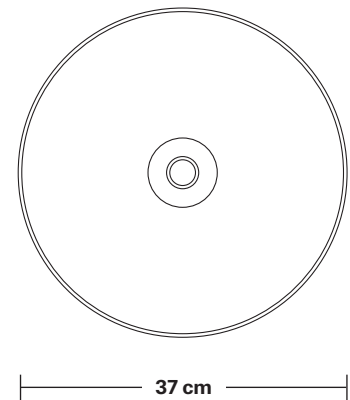
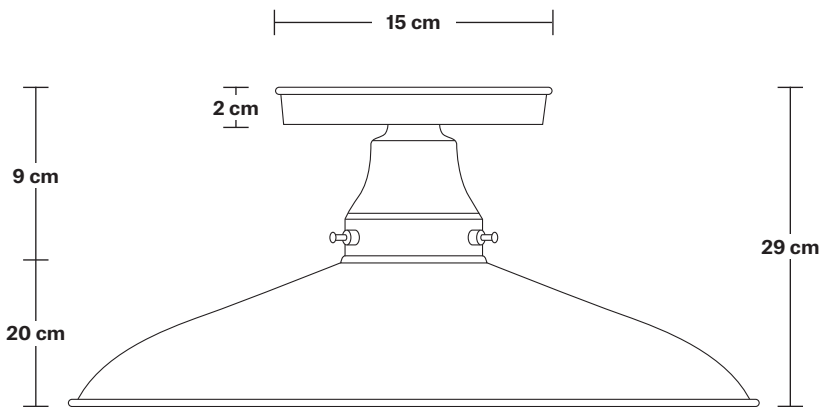
- Once the flush mount holder is installed, unscrew the three copper screws.
- Unscrew the black ring.
- Hold the shade in place.
- Once in place, begin to screw the black ring.
- Screw back the three small screws.
- Once secure it will hold the shade to the holder, your Barn Flush Mount is now installed.

Stem 184

Barn Stem Flush Mount - 15 Inch

Product Code: BN-STFM15

H: 29 cm x W: 37 cm x D: 37 cm



SPECIFICATIONS

We meet all UK and EU lighting and safety regulations.

Our products are hand finished to ensure an authentic vintage look and therefore they may vary slightly from those shown in the images.

Bulb required: Standard screw (E27) fitting, max 40W.

Shade weight: 0.85 kg | **Holder weight:** 0.25 kg

Maximum weight: 1.1 kg

INFORMATION

Finishes: Pewter

Ready to be installed, installation required.

Wall mount screws not included.

Holder available: Copper.

DIMENSIONS

Shade Diameter: 37 cm / 14.6"

Shade Height (no holder): 20 cm / 7.9"

Ceiling Mount Diameter: 15 cm / 5.9"



Swivel

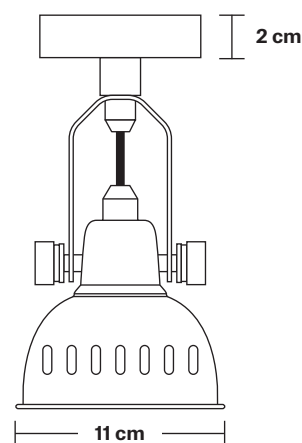
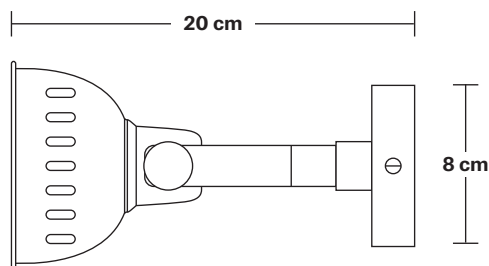
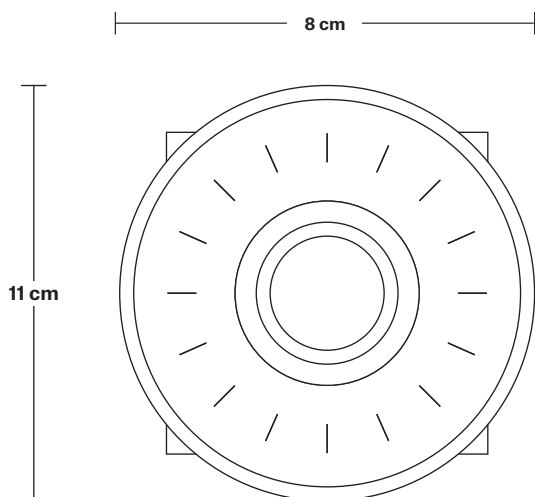
These fittings are completely pre-wired and only require installation of the bulb after connection to the mains wiring.

Single 188
Double 189

Swivel Spotlight Flush Mount/Wall Light - Single

Product Code: SW-SFM-S

H: 20 cm x W: 11 cm x D: 18 cm



SPECIFICATIONS

We meet all UK and EU lighting and safety regulations.

Our products are hand finished to ensure an authentic vintage look and therefore they may vary slightly from those shown in the images.

Bulb required: Standard screw (E27) fitting, max 40W.

Maximum weight: 0.63 kg

INFORMATION

Finishes: Pewter.

Ready to be installed, installation required.

Wall mount screws not included.

Wall Mount: Pewter.

DIMENSIONS

Shade Diameter: 11 cm / 4.3"

Shade Height (no holder): 12 cm / 4.7"

Ceiling Rose Height: 8 cm / 3.1"

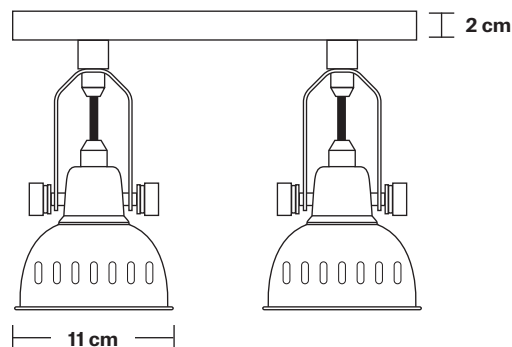
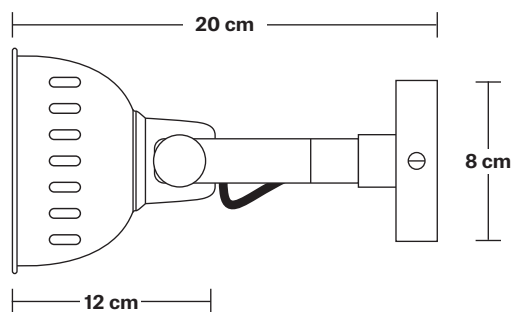
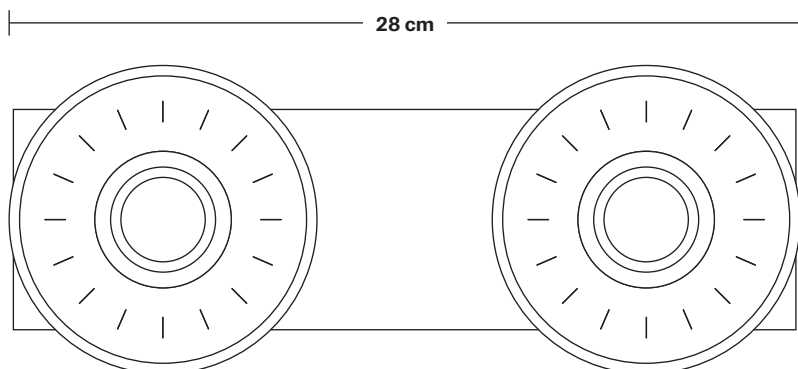
Ceiling Rose Width: 8 cm / 3.1"

Ceiling Rose Diameter: 8 cm / 3.2"

Swivel Spotlight Flush Mount/Wall Light - Double

Product Code: SW-SFM-D

H: 20 cm x W: 28 cm x D: 11 cm



SPECIFICATIONS

We meet all UK and EU lighting and safety regulations.

Our products are hand finished to ensure an authentic vintage look and therefore they may vary slightly from those shown in the images.

Bulb required: Standard screw (E27) fitting, max 40W.

Maximum weight: 1.3 kg

INFORMATION

Finishes: Pewter.

Ready to be installed, installation required.

Wall mount screws not included.

Wall Mount: Pewter.

DIMENSIONS

Shade Diameter: 11 cm / 4.3"

Shade Height (no holder): 12 cm / 4.7"

Ceiling Rose Height: 8 cm / 3.2"

Ceiling Rose Width: 28 cm / 11"

Harbour

These ceiling fittings are completely pre-wired and only require a small amount of assembly after connecting to the mains wiring:

- Once the wall holder is installed, install the bulb.
- After installing the bulb screw in the glass cover taking extra care not

to screw too tightly and not using too much force.

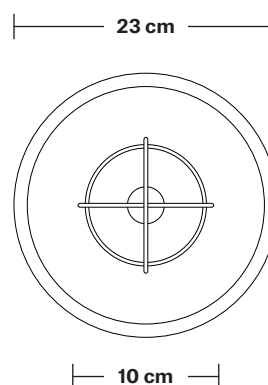
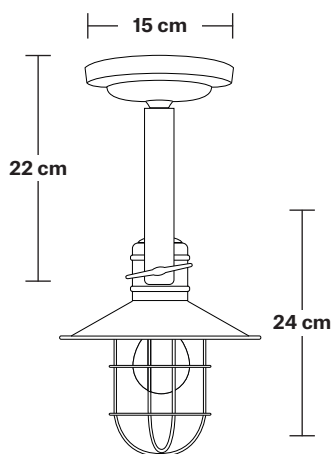
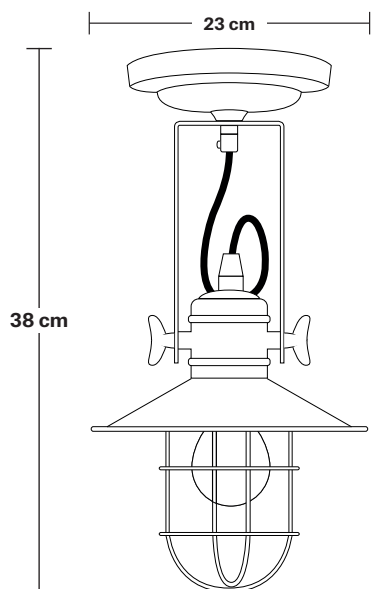
- Affix the cage by twisting it on to the wall holder.
- Once secure, your Wall Light is now installed.

Harbour ¹⁹²

Harbour Flush Mount/Wall Light - 6 Inch

Product Code: HR-WLFM6

H: 38 cm x W: 23 cm x D: 23 cm



SPECIFICATIONS

We meet all UK and EU lighting and safety regulations.

Our products are hand finished to ensure an authentic vintage look and therefore they may vary slightly from those shown in the images.

Bulb required: Standard screw (E27) fitting, max 40W.

Maximum weight: 1 kg

INFORMATION

Finishes: Pewter.

Ready to be installed, installation required.

Wall mount screws not included.

Ceiling rose: Pewter.

DIMENSIONS

Shade Diameter: 23 cm / 9"

Shade Height (no holder): 24 cm / 9.5"

Ceiling Rose Diameter: 12 cm / 4.9"

Holder Diameter: 15 cm / 5.9"

Holder Height: 22 cm / 8.7"



Harbour

Outdoor & Bathroom

These ceiling fittings are completely pre-wired and only require a small amount of assembly after connecting to the mains wiring:

- Once the wall holder is installed, install the bulb.
- After installing the bulb screw in the glass cover taking extra care not

to screw too tightly and not using too much force.

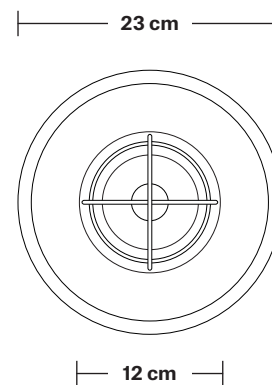
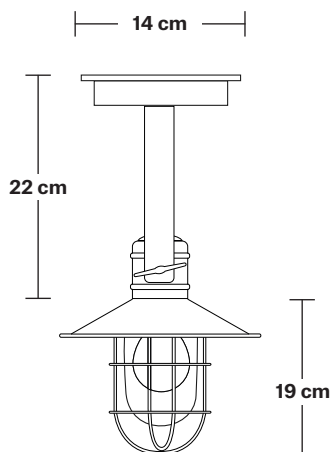
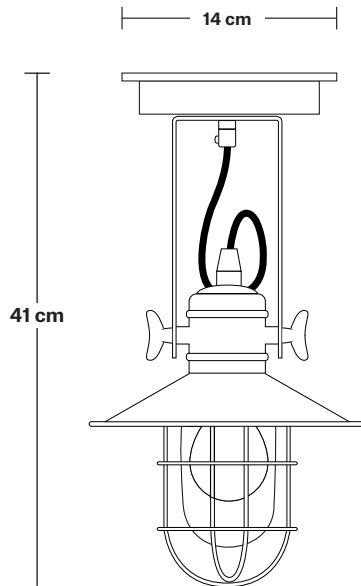
- Affix the cage by twisting it on to the wall holder.
- Once secure, your Wall Light is now installed.

Outdoor & Bathroom ¹⁹⁶

Harbour Outdoor & Bathroom Flush Mount/Wall Light - 6 Inch

Product Code: HR-IP65-WLFM6-P

H: 41 cm x W: 23 cm x D: 23 cm



SPECIFICATIONS

We meet all UK and EU lighting and safety regulations.

Our products are hand finished to ensure an authentic vintage look and therefore they may vary slightly from those shown in the images.

Bulb required: Standard screw (E27) fitting, max 40W.

Maximum weight: 1.3 kg

INFORMATION

Finishes: Pewter.

Ready to be installed, installation required.

Wall mount screws not included.

Ceiling rose: Pewter.

IP rating: IP65 with glass.

DIMENSIONS

Shade Diameter: 23 cm / 9"

Shade Height (no holder): 19 cm / 7.4"

Ceiling Rose Diameter: 14 cm / 5.5"

Ceiling Rose Height: 3 cm / 1.2"

Holder Diameter: 8.5 cm / 3.3"

Holder Height: 22 cm / 8.7"



Bulkhead

These ceiling fittings are completely pre-wired and only require a small amount of assembly after connecting to the mains wiring:

Caution - Fragile item, extra care needed when installing.

- Unscrew the cage to install the bulb.

- After installing the bulb screw in the glass cover taking extra care not to screw too tightly and not using too much force.

- Screw back the cage

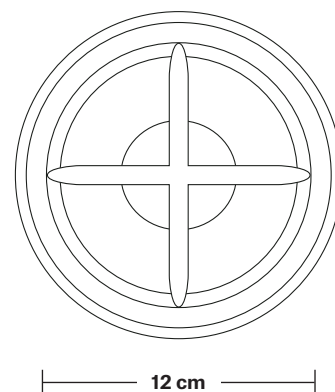
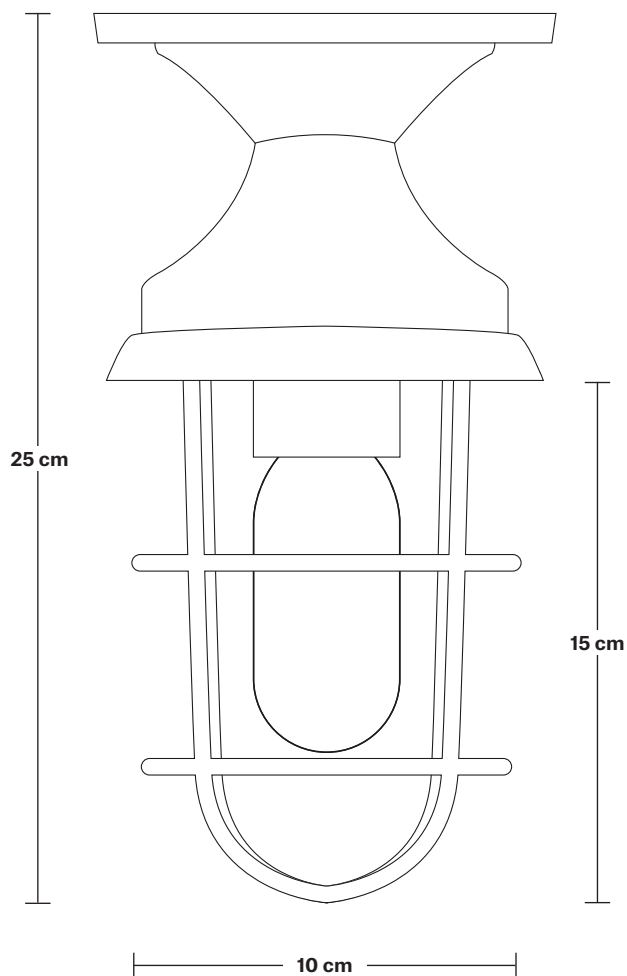
- Once secure, your Marine Light fitting is now installed.

Marine 200

Bulkhead Outdoor & Bathroom Marine Flush Mount - 4 Inch

Product Code: BK-IP65-MFM4

H: 25 cm x W: 12 cm x D: 12 cm



SPECIFICATIONS

We meet all UK and EU lighting and safety regulations.

Our products are hand finished to ensure an authentic vintage look and therefore they may vary slightly from those shown in the images.

Bulb required: Standard screw (E27) fitting, max 40W.

Maximum weight: 1.2 kg

INFORMATION

Finishes: Gunmetal.

Ready to be installed, installation required.

Wall mount screws not included.

IP rating: IP65 with glass.

DIMENSIONS

Shade Diameter: 10 cm / 4"

Shade Height (no holder): 25 cm / 9.8"

Ceiling Rose Diameter: 13 cm / 5"



Wall Lights

Our range of pendant light fittings have been designed to emphasise the sharp lines, exposed hardware and raw sophistication indicative of the industrial style. Nevertheless, Industville endeavour to offer a variety of options to ensure the flexibility of the look to its clients

own individual projects. This can be utilised through our bespoke painting service alongside a variety of different finishes, holders, high quality fabric flex and light-bulbs to enable our customers to create a unique and personal light fitting to suit any space.

Brooklyn	204
Brooklyn Outdoor & Bathroom	220
Orlando	228
Bulkhead	232
Sleek	244
Swan Neck	250
Swan Neck Outdoor & Bathroom	268
Swivel	284
Harbour	288
Harbour Outdoor & Bathroom	292
Long Arm	296

Brooklyn

These ceiling fittings are completely pre-wired and only require a small amount of assembly after connecting to the mains wiring:

- Once the wall holder is installed, unscrew the black ring.

- Hold the shade in place onto the holder.

- Once in place, begin to screw the black ring.

- Once secure, it will hold the shade to the holder, your Brooklyn Wall Sconce is now installed.

Wall Light Holder 206

Dome 207

Cone 208

Flat 209

Umbrella 210

Glass Funnel 211

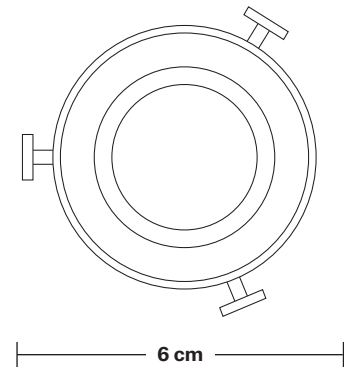
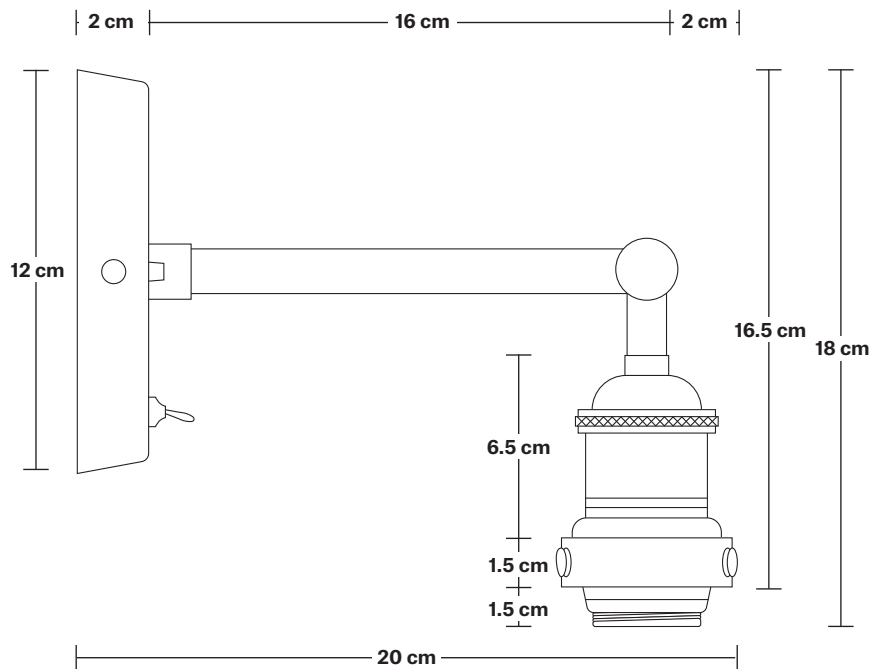
Glass Dome 212

Rusty & Wire Cage 213

Brooklyn Wall Light Holder

Product Code: BR-WL

H: 18 cm x W: 12 cm x D: 20 cm



SPECIFICATIONS

We meet all UK and EU lighting and safety regulations.

Our products are hand finished to ensure an authentic vintage look and therefore they may vary slightly from those shown in the images.

Bulb required: Standard screw (E27) fitting, max 40W.

Weight: 0.6 kg

INFORMATION

Finishes: Brass, Pewter, Copper.

Ready to be installed, installation required.

Wall mount screws not included.

The lights can be operated by both the flick switch or the main switch.

Wall rose: Pewter.

DIMENSIONS

Holder Diameter: 6 cm / 2.5"

Holder Height: 18 cm / 7.1"

Projection: 20 cm / 7.9"

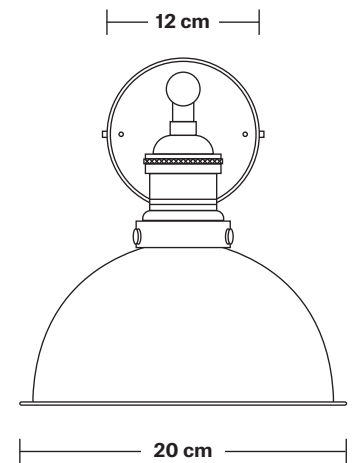
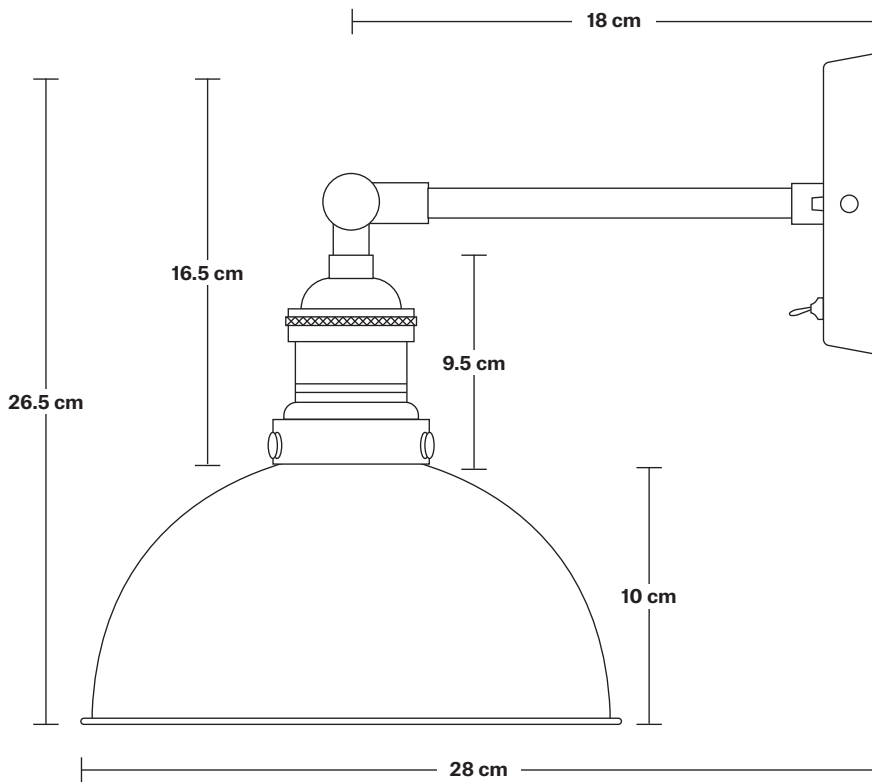
Wall Rose Diameter: 12 cm / 4.9"

Wall Rose Depth: 2 cm / 0.8"

Brooklyn Dome Wall Light - 8 Inch

Product Code: BR-DWL8

H: 26.5 cm x W: 20 cm x D: 28 cm



SPECIFICATIONS

We meet all UK and EU lighting and safety regulations.

Our products are hand finished to ensure an authentic vintage look and therefore they may vary slightly from those shown in the images.

Bulb required: Standard screw (E27) fitting, max 40W.

Shade weight: 0.4 kg | **Holder weight:** 0.6 kg

Maximum weight: 1 kg

INFORMATION

Finishes: Brass, Pewter, Copper, Copper & Pewter, Brass & Pewter.

Ready to be installed, installation required.

Wall mount screws not included.

The lights can be operated by both the flick switch or the main switch.

Holders available: Brass, Pewter, Copper.

DIMENSIONS

Shade Diameter: 20 cm / 8"

Shade Height (no holder): 10 cm / 4"

Holder Diameter: 6 cm / 2.5"

Holder Height: 18 cm / 7.1"

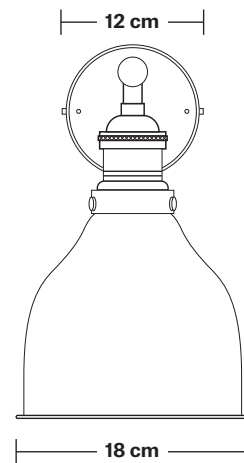
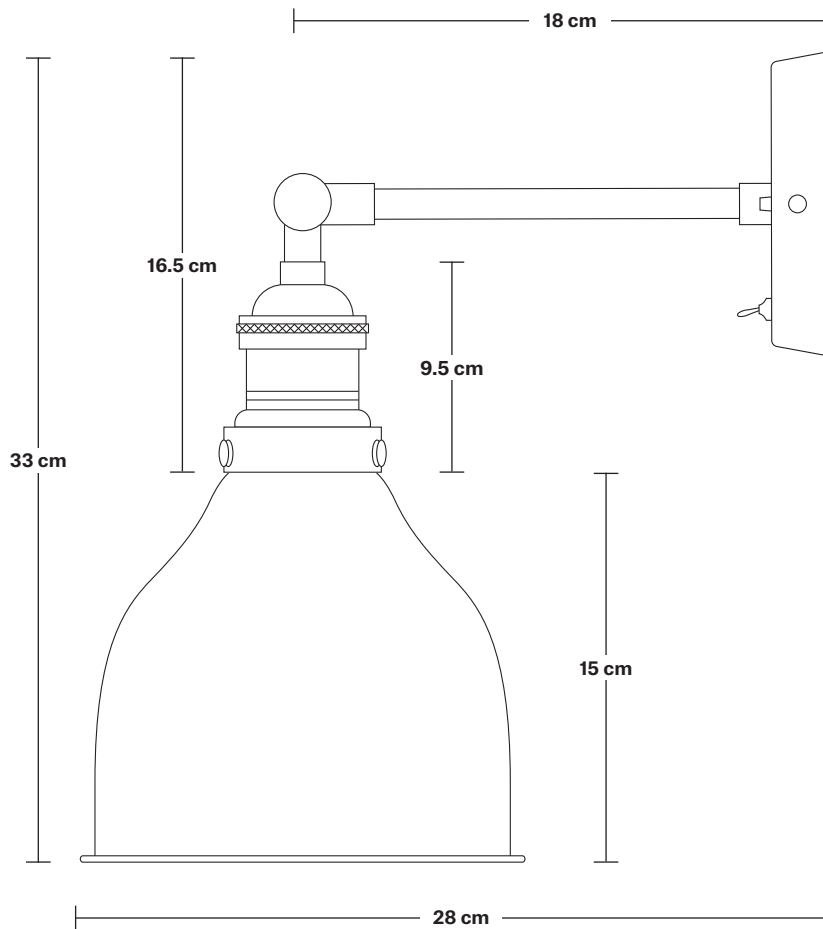
Wall Rose Diameter: 12 cm / 4.9"

Wall Rose Height: 2 cm / 0.8"

Brooklyn Cone Wall Light - 7 Inch

Product Code: BR-CWL7

H: 31.5 cm x W: 18 cm x D: 28 cm



SPECIFICATIONS

We meet all UK and EU lighting and safety regulations.

Our products are hand finished to ensure an authentic vintage look and therefore they may vary slightly from those shown in the images.

Bulb required: Standard screw (E27) fitting, max 40W.

Shade weight: 0.35 kg | **Holder weight:** 0.6 kg

Maximum weight: 0.95 kg

INFORMATION

Finishes: Brass, Pewter, Copper.

Ready to be installed, installation required.

Wall mount screws not included.

The lights can be operated by both the flick switch or the main switch.

Holders available: Brass, Pewter, Copper.

DIMENSIONS

Shade Diameter: 18 cm / 7"

Shade Height (no holder): 15 cm / 6.1"

Holder Diameter: 6 cm / 2.5"

Holder Height: 18 cm / 7.1"

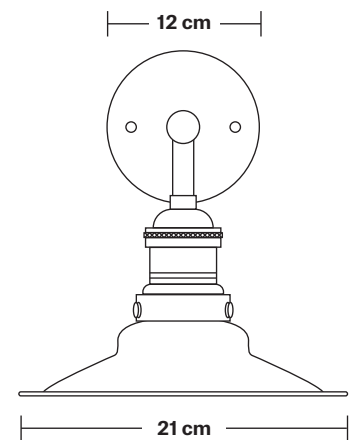
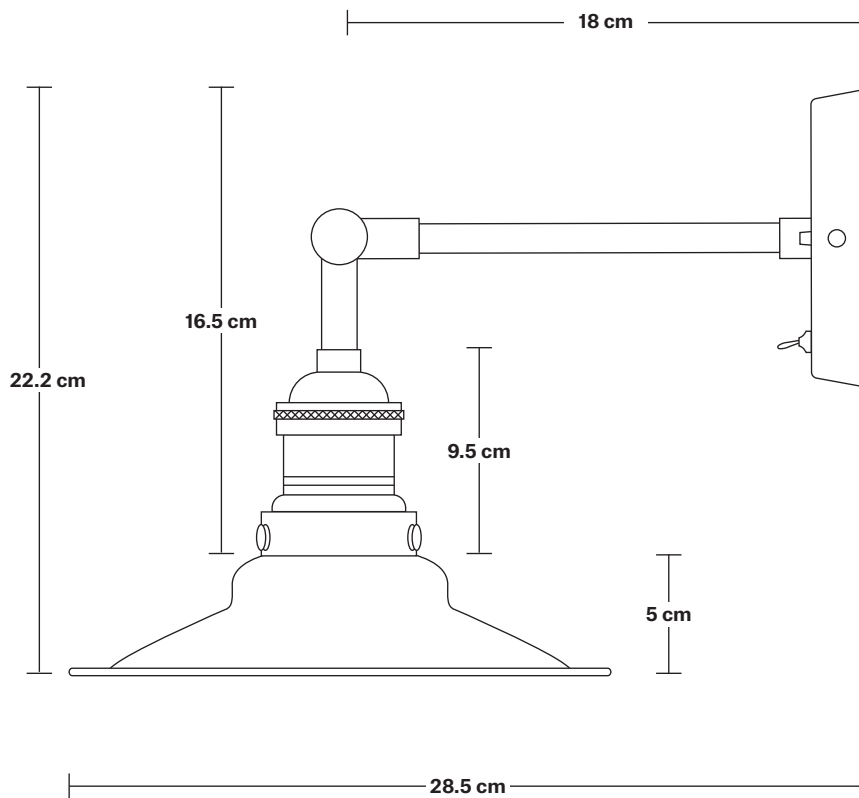
Wall Rose Diameter: 12 cm / 4.9"

Wall Rose Height: 2 cm / 0.8"

Brooklyn Flat Wall Light - 8 Inch

Product Code: BR-FWL8

H: 21.5 cm x W: 21 cm x D: 28.5 cm



SPECIFICATIONS

We meet all UK and EU lighting and safety regulations.

Our products are hand finished to ensure an authentic vintage look and therefore they may vary slightly from those shown in the images.

Bulb required: Standard screw (E27) fitting, max 40W.

Shade weight: 0.3 kg | **Holder weight:** 0.6 kg

Maximum weight: 0.9 kg

INFORMATION

Finishes: Brass, Pewter, Copper.

Ready to be installed, installation required.

Wall mount screws not included.

The lights can be operated by both the flick switch or the main switch.

Holders available: Brass, Pewter, Copper.

DIMENSIONS

Shade Diameter: 21 cm / 8.2"

Shade Height (no holder): 5 cm / 2"

Holder Diameter: 6 cm / 2.5"

Holder Height: 18 cm / 7.1"

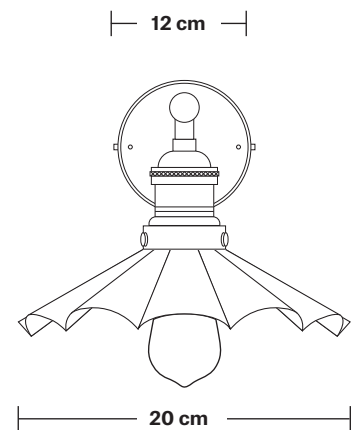
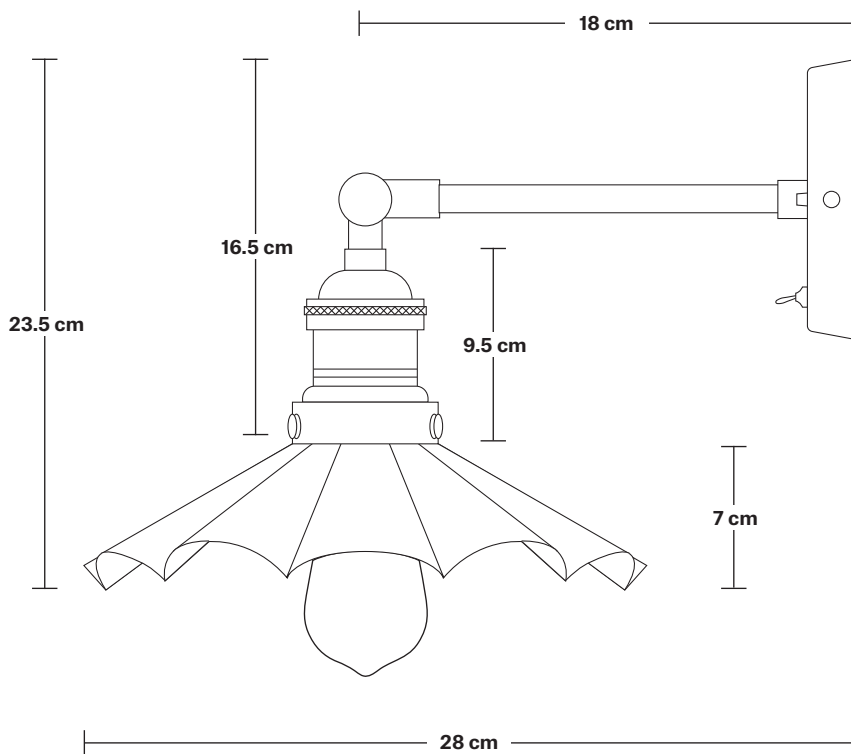
Wall Rose Diameter: 12 cm / 4.9"

Wall Rose Height: 2 cm / 0.8"

Brooklyn Umbrella Wall Light - 8 Inch

Product Code: BR-UWL8

H: 23.5 cm x W: 20 cm x D: 28 cm



SPECIFICATIONS

We meet all UK and EU lighting and safety regulations.

Our products are hand finished to ensure an authentic vintage look and therefore they may vary slightly from those shown in the images.

Bulb required: Standard screw (E27) fitting, max 40W.

Shade weight: 0.2 kg | **Holder weight:** 0.6 kg

Maximum weight: 0.8 kg

INFORMATION

Finishes: Brass, Pewter, Copper.

Ready to be installed, installation required.

Wall mount screws not included.

The lights can be operated by both the flick switch or the main switch.

Holders available: Brass, Pewter, Copper.

DIMENSIONS

Shade Diameter: 20 cm / 8"

Shade Height (no holder): 7 cm / 2.6"

Holder Diameter: 6 cm / 2.5"

Holder Height: 18 cm / 7.1"

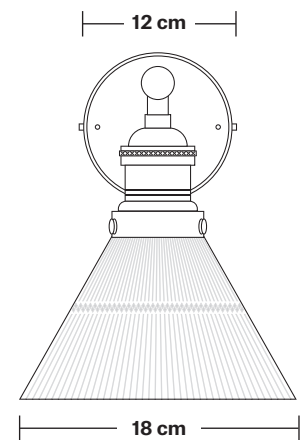
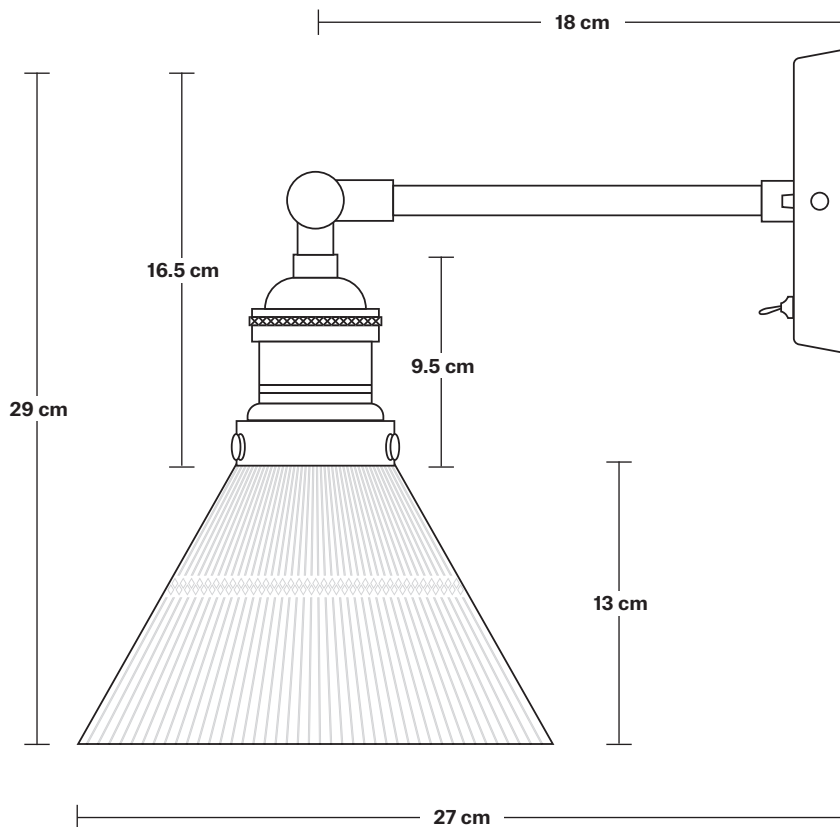
Wall Rose Diameter: 12 cm / 4.9"

Wall Rose Height: 2 cm / 0.8"

Brooklyn Glass Funnel Wall Light - 7 Inch

Product Code: BR-GLFWL7

H: 29.5 cm x W: 18 cm x D: 27 cm



SPECIFICATIONS

We meet all UK and EU lighting and safety regulations.

Our products are hand finished to ensure an authentic vintage look and therefore they may vary slightly from those shown in the images.

Bulb required: Standard screw (E27) fitting, max 40W.

Shade weight: 0.6 kg | **Holder weight:** 0.5 kg

Maximum weight: 1.1 kg

INFORMATION

Finishes: Glass.

Ready to be installed, installation required.

Wall mount screws not included.

The lights can be operated by both the flick switch or the main switch.

Holders available: Brass, Pewter, Copper.

Wall rose: Pewter.

DIMENSIONS

Shade Diameter: 18 cm / 7"

Shade Height (no holder): 13 cm / 5.3"

Holder Diameter: 6 cm / 2.5"

Holder Height: 18 cm / 7.1"

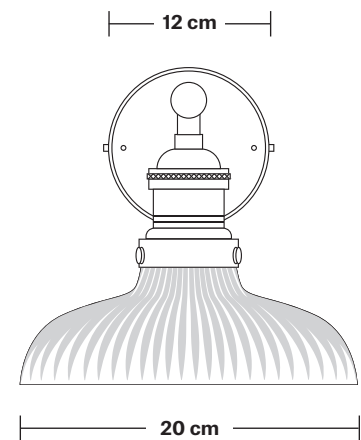
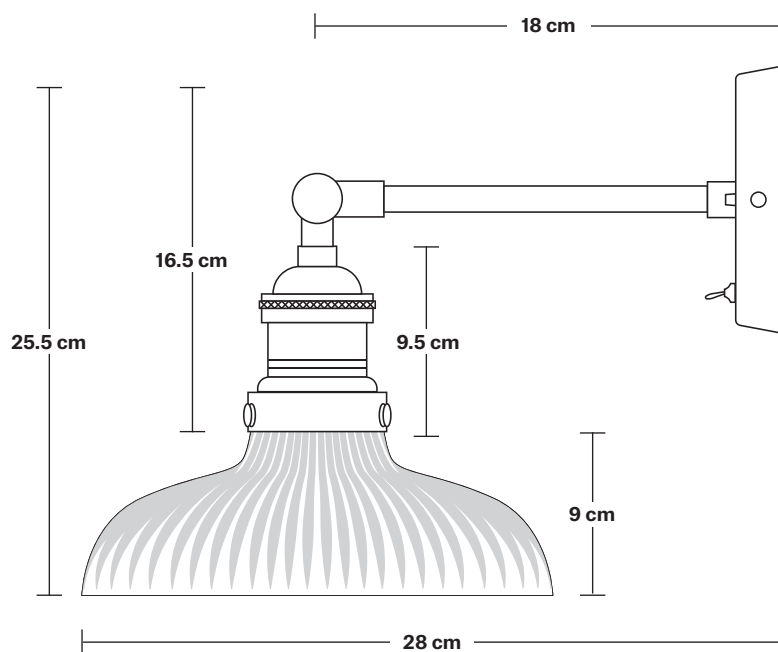
Wall Rose Diameter: 12 cm / 4.9"

Wall Rose Height: 2 cm / 0.8"

Brooklyn Glass Dome Wall Light - 8 Inch

Product Code: BR-GLDWL8

H: 25.5 cm x W: 20 cm x D: 28 cm



SPECIFICATIONS

We meet all UK and EU lighting and safety regulations.

Our products are hand finished to ensure an authentic vintage look and therefore they may vary slightly from those shown in the images.

Bulb required: Standard screw (E27) fitting, max 40W.

Shade weight: 0.65 kg | **Holder weight:** 0.6 kg

Maximum weight: 1.25 kg

INFORMATION

Finishes: Glass.

Ready to be installed, installation required.

Wall mount screws not included.

The lights can be operated by both the flick switch or the main switch.

Holders available: Brass, Pewter, Copper.

Wall rose: Pewter.

DIMENSIONS

Shade Diameter: 20 cm / 8"

Shade Height (no holder): 9 cm / 3.5"

Holder Diameter: 6 cm / 2.5"

Holder Height: 18 cm / 7.1"

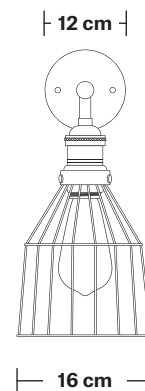
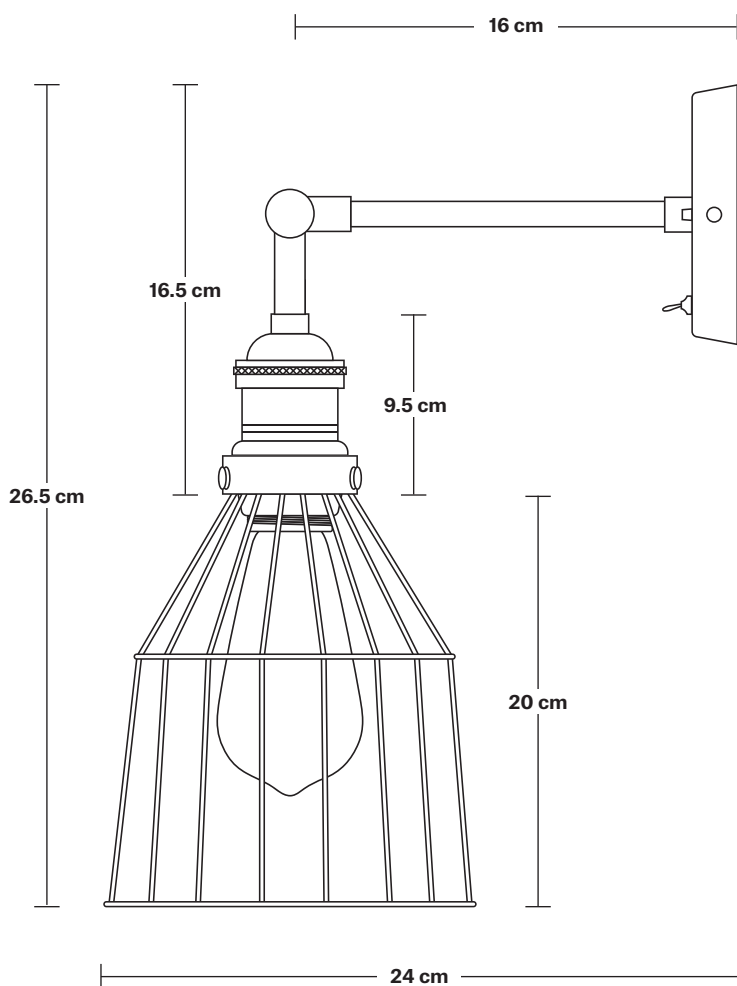
Wall Rose Diameter: 12 cm / 4.9"

Wall Rose Height: 2 cm / 0.8"

Brooklyn Cage Wall Light - 6 Inch - Cone

Product Code: BR-WCWL6-CN

H: 26.5 cm x W: 16 cm x D: 24 cm



SPECIFICATIONS

We meet all UK and EU lighting and safety regulations.

Our products are hand finished to ensure an authentic vintage look and therefore they may vary slightly from those shown in the images.

Bulb required: Standard screw (E27) fitting, max 40W.

Shade weight: 0.24 kg | **Holder weight:** 0.6 kg

Maximum weight: 0.84 kg

INFORMATION

Finishes: Rusty, Pewter.

Ready to be installed, installation required.

Wall mount screws not included.

The lights can be operated by both the flick switch or the main switch.

Holders available: Brass, Pewter, Copper.

Wall rose: Pewter.

DIMENSIONS

Shade Diameter: 16 cm / 6.3"

Shade Height (no holder): 20 cm / 7.8"

Holder Diameter: 6 cm / 2.5"

Holder Height: 18 cm / 7.1"

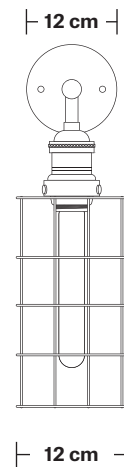
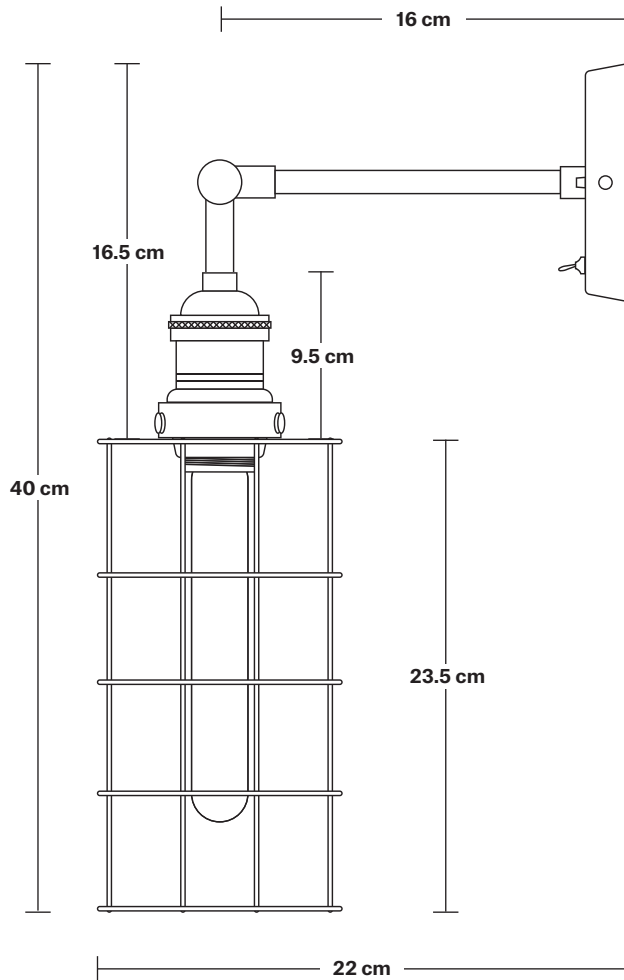
Wall Rose Diameter: 12 cm / 4.9"

Wall Rose Height: 2 cm / 0.8"

Brooklyn Cage Wall Light - 5 Inch - Cylinder

Product Code: BR-WCWL5-CY

H: 40 cm x W: 12 cm x D: 22 cm



SPECIFICATIONS

We meet all UK and EU lighting and safety regulations.

Our products are hand finished to ensure an authentic vintage look and therefore they may vary slightly from those shown in the images.

Bulb required: Standard screw (E27) fitting, max 40W.

Shade weight: 0.28 kg | **Holder weight:** 0.6 kg

Maximum weight: 0.88 kg

INFORMATION

Finishes: Rusty, Pewter.

Ready to be installed, installation required.

Wall mount screws not included.

The lights can be operated by both the flick switch or the main switch.

Holders available: Brass, Pewter, Copper.

Wall rose: Pewter.

DIMENSIONS

Shade Diameter: 12 cm / 5"

Shade Height (no holder): 23.5 cm / 9"

Holder Diameter: 6 cm / 2.5"

Holder Height: 18 cm / 7.1"

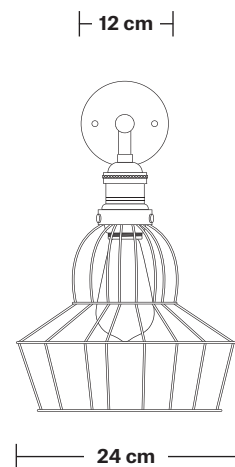
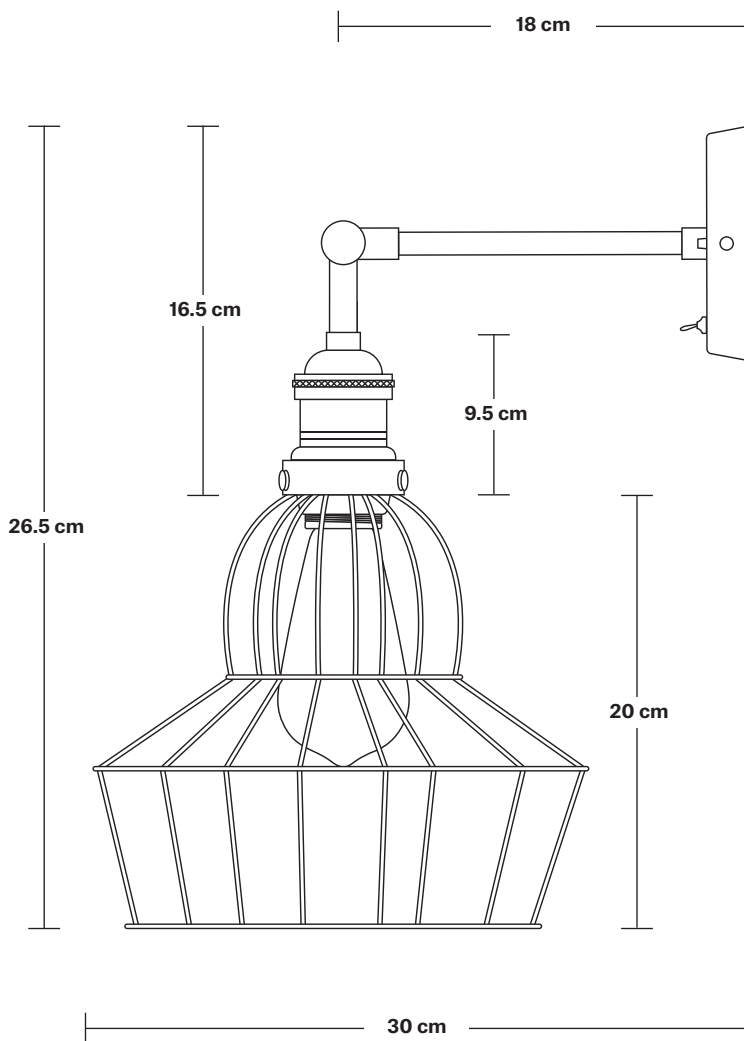
Wall Rose Diameter: 12 cm / 4.9"

Wall Rose Height: 2 cm / 0.8"

Brooklyn Cage Wall Light - 8 Inch - Rose

Product Code: BR-WCWL8-RS

H: 26.5 cm x W: 24 cm x D: 30 cm



SPECIFICATIONS

We meet all UK and EU lighting and safety regulations.

Our products are hand finished to ensure an authentic vintage look and therefore they may vary slightly from those shown in the images.

Bulb required: Standard screw (E27) fitting, max 40W.

Shade weight: 0.17 kg | **Holder weight:** 0.6 kg

Maximum weight: 0.77 kg

INFORMATION

Finishes: Rusty, Pewter.

Ready to be installed, installation required.

Wall mount screws not included.

The lights can be operated by both the flick switch or the main switch.

Holders available: Brass, Pewter, Copper.

Wall rose: Pewter.

DIMENSIONS

Shade Diameter: 24 cm / 9.5"

Shade Height (no holder): 20 cm / 7.8"

Holder Diameter: 6 cm / 2.5"

Holder Height: 18 cm / 7.1"

Wall Rose Diameter: 12 cm / 4.9"

Wall Rose Height: 2 cm / 0.8"

Brooklyn

These ceiling fittings are completely pre-wired and only require a small amount of assembly after connecting to the mains wiring:

- Once the holder is installed, unscrew the black ring.

- Hold the cage in place onto the holder.

- Once in place, begin to screw the black ring.

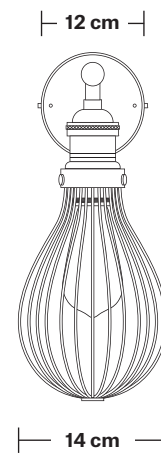
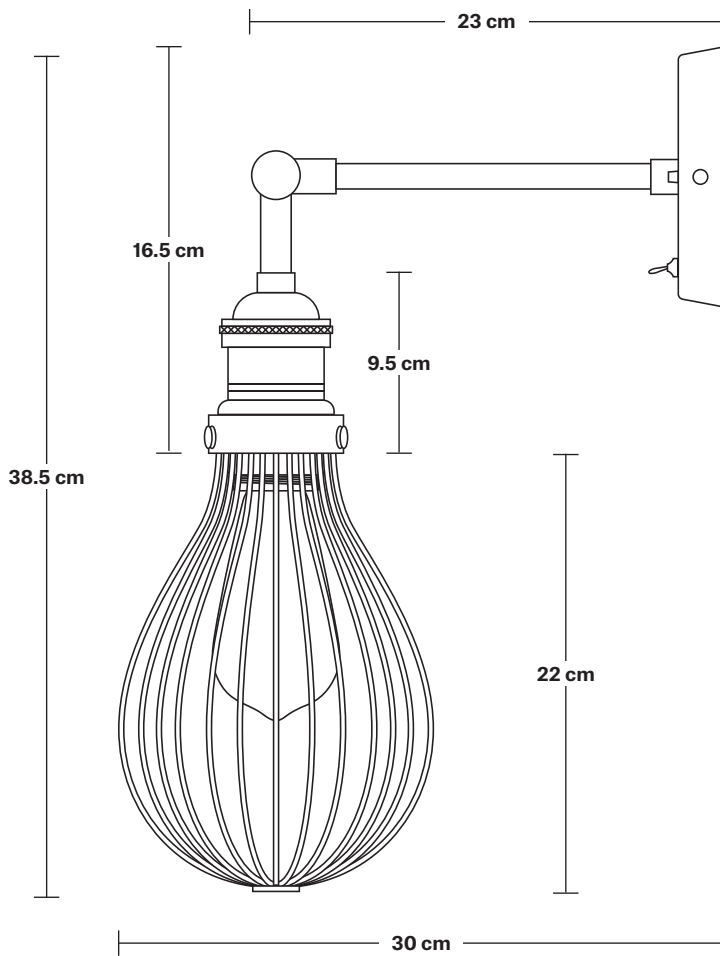
- Once secure it will hold the shade to the holder, your Orlando Balloon Wall fitting is now installed.

Balloon 218

Brooklyn Balloon Cage Wall Light - 6 Inch

Product Code: BR-BCWL6

H: 38.5 cm x W: 14 cm x D: 30 cm



SPECIFICATIONS

We meet all UK and EU lighting and safety regulations.

Our products are hand finished to ensure an authentic vintage look and therefore they may vary slightly from those shown in the images.

Bulb required: Standard screw (E27) fitting, max 40W.

Shade weight: 0.25 kg | **Holder weight:** 0.65 kg

Maximum weight: 0.85 kg

INFORMATION

Finishes: Pewter, Copper.

Ready to be installed, installation required.

Wall mount screws not included.

The lights can be operated by both the flick switch or the main switch.

Holders available: Brass, Pewter, Copper.

Wall rose: Pewter.

DIMENSIONS

Shade Diameter: 14 cm / 5.5"

Shade Height (no holder): 22 cm / 8.6"

Holder Diameter: 6 cm / 2.4"

Holder Height: 16.5 cm / 7.1"

Wall Rose Diameter: 12 cm / 4.7"

Wall Rose Height: 2 cm / 0.8"



Brooklyn Outdoor & Bathroom

These ceiling fittings are completely pre-wired and only require a small amount of assembly after connecting to the mains wiring:

Once the wall holder is installed, unscrew the black ring.

- Hold the shade in place onto the holder.

- After holding the shade in its place, place the threaded metal ring beneath the shade (if you don't want to have a shade, simply screw the threaded metal ring directly on the

holder).

- Once in place, begin to screw the black ring.

- Once secure, it will hold the shade and the threaded metal ring to the holder.

- Once in place, install the bulb.

- After installing the bulb, screw in the glass cover.

- Once secure, your Outdoor Brooklyn Wall Light is now installed.

Wall Light Holder – Tube 222

Wall Light Holder – Globe 223

Tube Glass 224

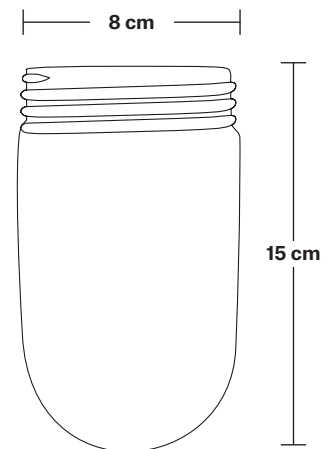
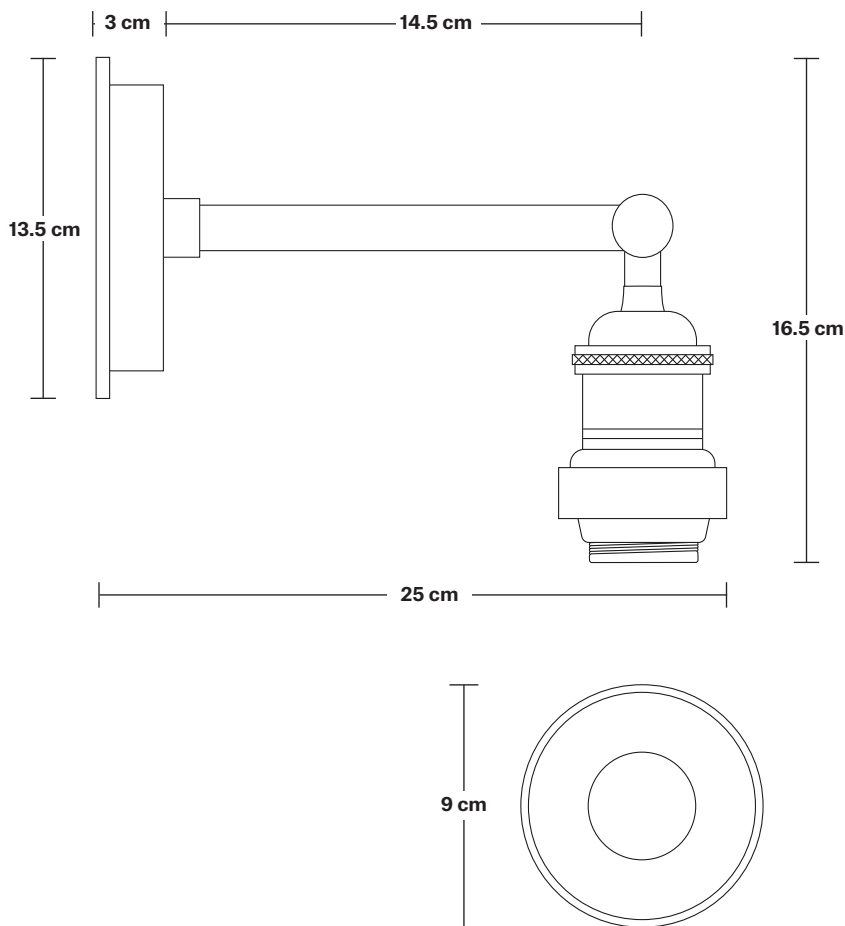
Globe Glass 225

Dome 226

Brooklyn Outdoor & Bathroom Wall Light Holder - Tube Glass

Product Code: BR-IP65-WLH

H: 16.5 cm x W: 13.5 cm x D: 25 cm



SPECIFICATIONS

We meet all UK and EU lighting and safety regulations.

Our products are hand finished to ensure an authentic vintage look and therefore they may vary slightly from those shown in the images.

Bulb required: Standard screw (E27) fitting, max 40W.

Holder weight: 0.94 kg | **Glass weight:** 0.3 kg

INFORMATION

Finishes: Brass, Pewter, Copper.

Ready to be installed, installation required.

Wall mount screws not included.

Wall mount rose: Brass, Pewter, Copper.

IP rating: IP65 with Tube glass.

DIMENSIONS

Holder Diameter: 6 cm / 2.5"

Holder Height: 16.5 cm / 6.5"

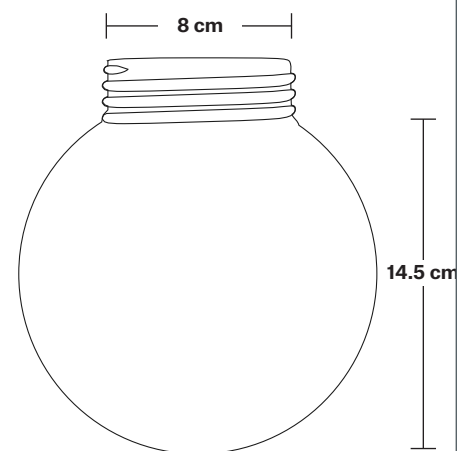
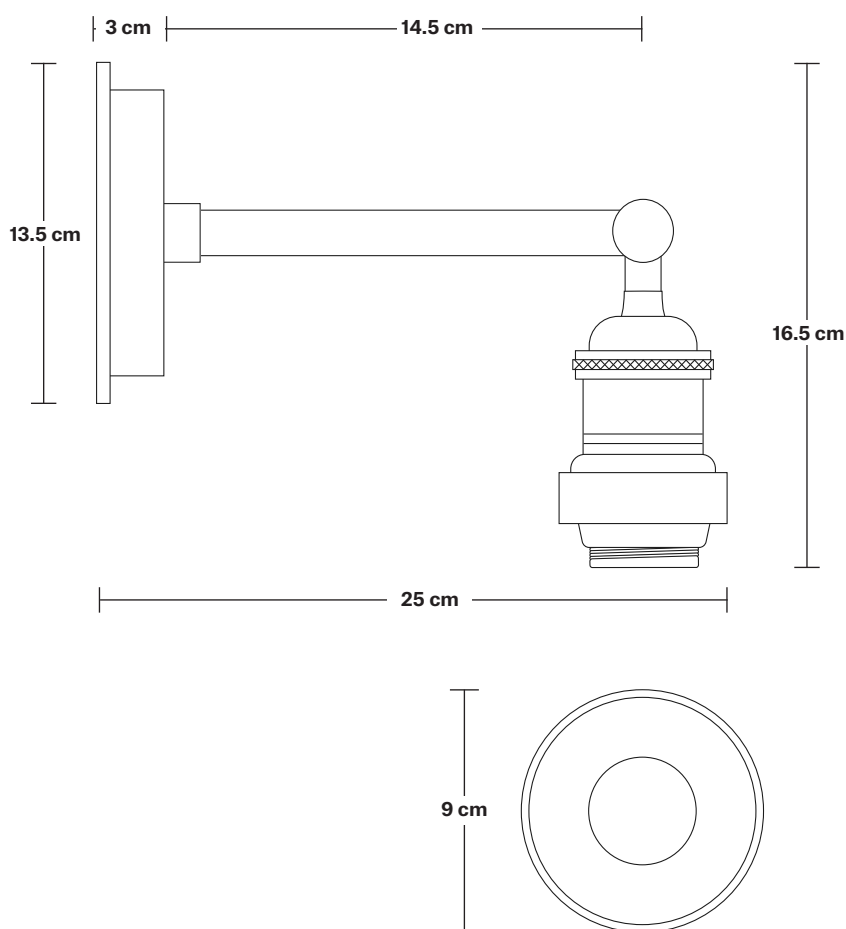
Wall Rose Diameter: 13.5 cm / 5.3"

Wall Rose Depth: 3 cm / 1.2"

Brooklyn Outdoor & Bathroom Wall Light Holder - Globe Glass

Product Code: BR-IP65-WLH-GLG

H: 16.5 cm x W: 13.5 cm x D: 25 cm



SPECIFICATIONS

We meet all UK and EU lighting and safety regulations.

Our products are hand finished to ensure an authentic vintage look and therefore they may vary slightly from those shown in the images.

Bulb required: Standard screw (E27) fitting, max 40W.

Holder weight: 0.94 kg | **Glass weight:** 0.3 kg

INFORMATION

Finishes: Brass, Pewter, Copper.

Ready to be installed, installation required.

Wall mount screws not included.

Wall mount rose: Brass, Pewter, Copper.

IP rating: IP65 with Globe glass.

DIMENSIONS

Holder Diameter: 6 cm / 2.5"

Holder Height: 16.5 cm / 6.5"

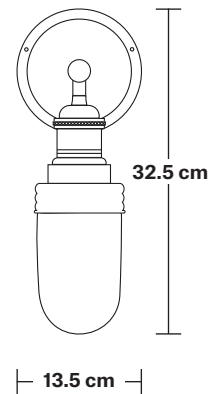
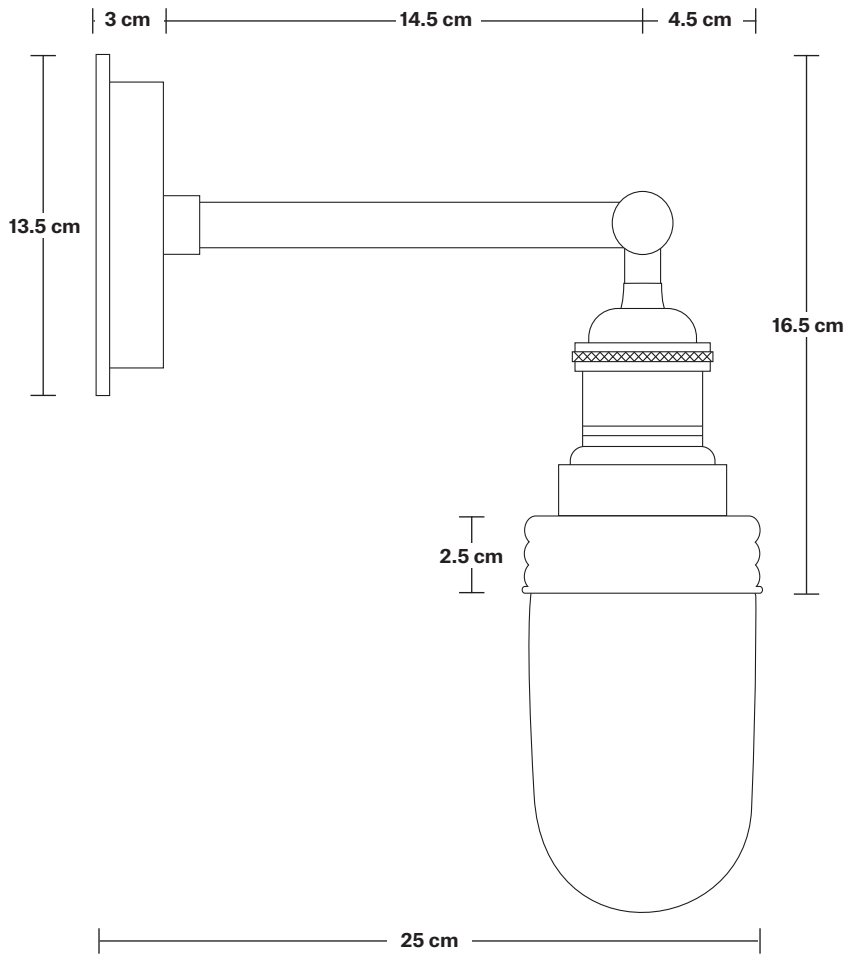
Wall Rose Diameter: 13.5 cm / 5.3"

Wall Rose Depth: 3 cm / 1.2"

Brooklyn Outdoor & Bathroom Wall Light - Tube Glass

Product Code: BR-IP65-WL

H: 32.5 cm x W: 13.5 cm x D: 25 cm



SPECIFICATIONS

We meet all UK and EU lighting and safety regulations.

Our products are hand finished to ensure an authentic vintage look and therefore they may vary slightly from those shown in the images.

Bulb required: Standard screw (E27) fitting, max 40W.

Weight: 1 kg

INFORMATION

Finishes: Brass, Pewter, Copper.

Ready to be installed, installation required.

Wall mount screws not included.

Wall mount rose: Brass, Pewter, Copper.

IP rating: IP65 with Tube glass.

DIMENSIONS

Holder Diameter: 6 cm / 2.5"

Holder Height: 16 cm / 6.2"

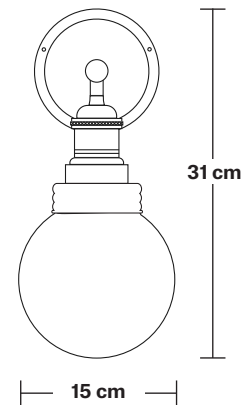
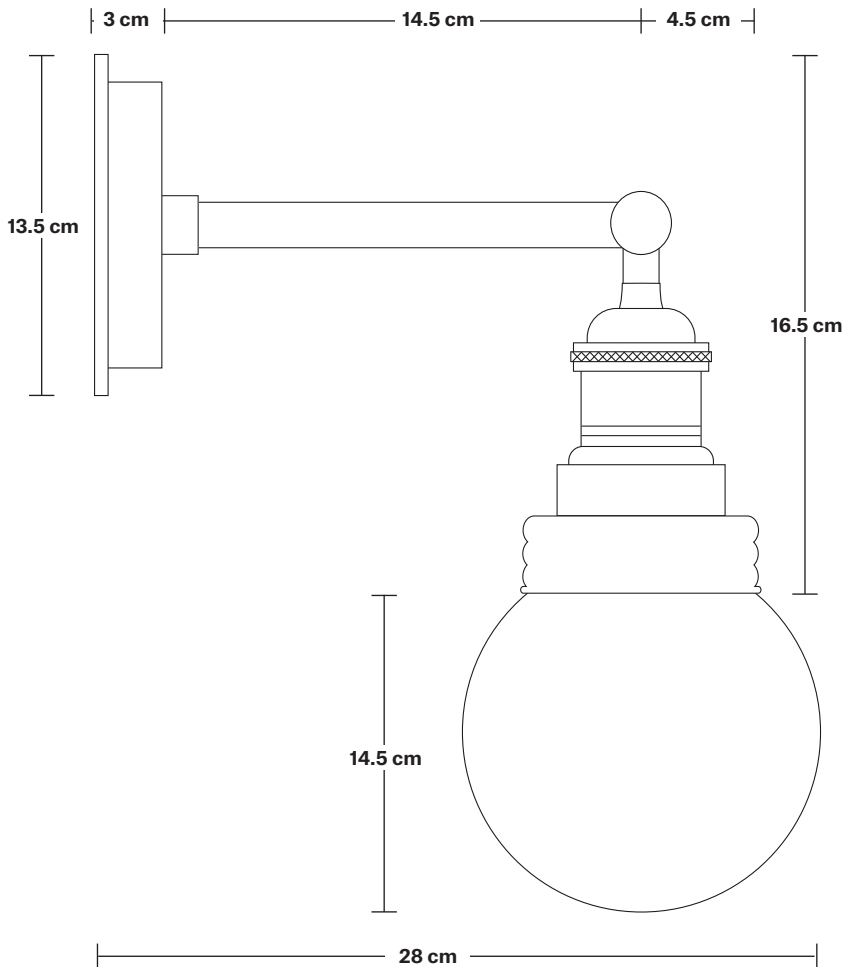
Wall Rose Diameter: 13.5 cm / 5.3"

Wall Rose Depth: 3 cm / 1.2"

Brooklyn Outdoor & Bathroom Wall Light - Globe Glass

Product Code: BR-IP65-WL-GLG

H: 31 cm x W: 15 cm x D: 28 cm



SPECIFICATIONS

We meet all UK and EU lighting and safety regulations.

Our products are hand finished to ensure an authentic vintage look and therefore they may vary slightly from those shown in the images.

Bulb required: Standard screw (E27) fitting, max 40W.

Weight: 1 kg

INFORMATION

Finishes: Brass, Pewter, Copper.

Ready to be installed, installation required.

Wall mount screws not included.

Wall mount rose: Brass, Pewter, Copper.

IP rating: IP65 with Globe glass.

DIMENSIONS

Holder Diameter: 6 cm / 2.5"

Holder Height: 16 cm / 6.2"

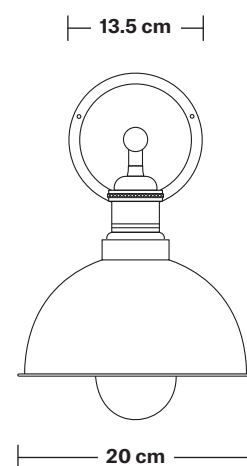
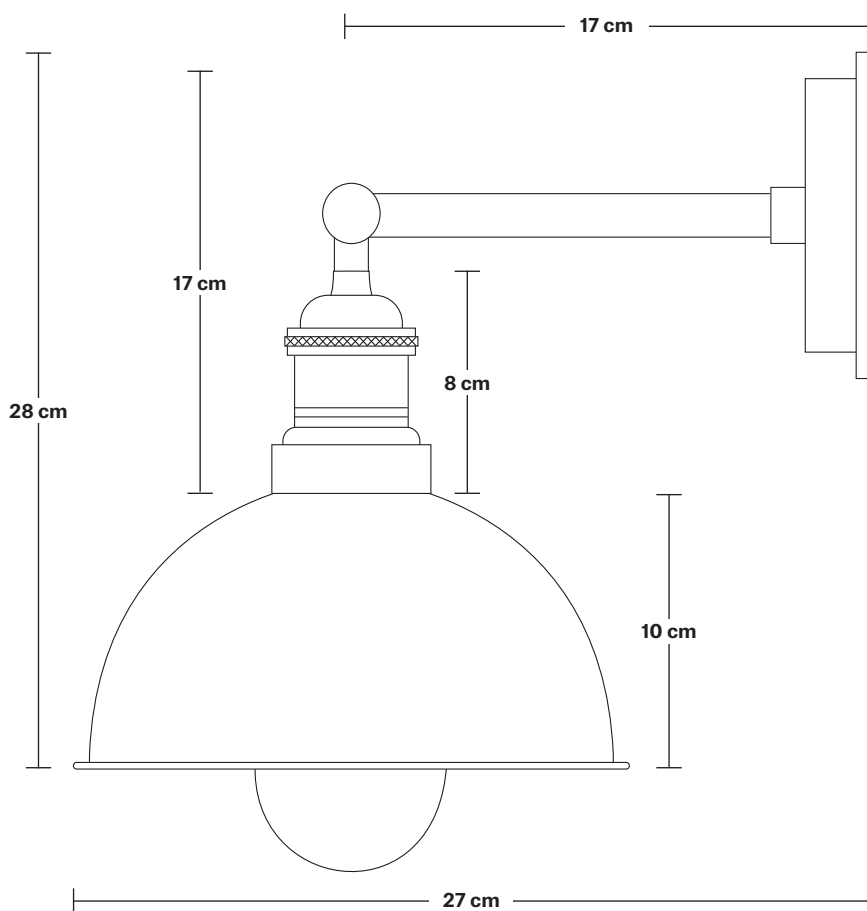
Wall Rose Diameter: 13.5 cm / 5.3"

Wall Rose Depth: 3 cm / 1.2"

Brooklyn Outdoor & Bathroom Dome Wall Light - 8 Inch - Tube Glass

Product Code: BR-IP65-DWL8

H: 32.5 cm W: 20 cm D: 27 cm



SPECIFICATIONS

We meet all UK and EU lighting and safety regulations.

Our products are hand finished to ensure an authentic vintage look and therefore they may vary slightly from those shown in the images.

Bulb required: Standard screw (E27) fitting, max 40W.

Shade weight: 0.4 kg | **Holder weight:** 1 kg

Maximum weight: 1.4 kg

INFORMATION

Finishes: Brass, Copper, Copper & Pewter, Brass & Pewter.

Ready to be installed, installation required.

Wall mount screws not included.

Holders available: Brass, Pewter, Copper.

IP rating: IP65 with Tube glass.

DIMENSIONS

Shade Diameter: 20 cm / 8"

Shade Height (no holder): 10 cm / 4"

Holder Diameter: 6 cm / 2.5"

Holder Height: 16 cm / 6.2"

Wall Rose Diameter: 13.5 cm / 5.3"

Wall Rose Height: 3 cm / 1.2"



Orlando

These ceiling fittings are completely pre-wired and only require a small amount of assembly after connecting to the mains wiring:

- Once the wall holder is installed, unscrew the black ring attached to the holder.
- Unscrew the nut/screw at the bottom of the cage; this will release the cage opening.
- Unscrew the two small nuts from the top of the cage opening.

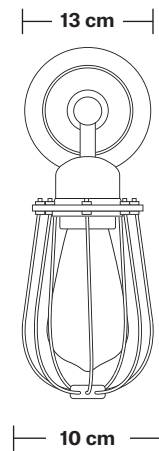
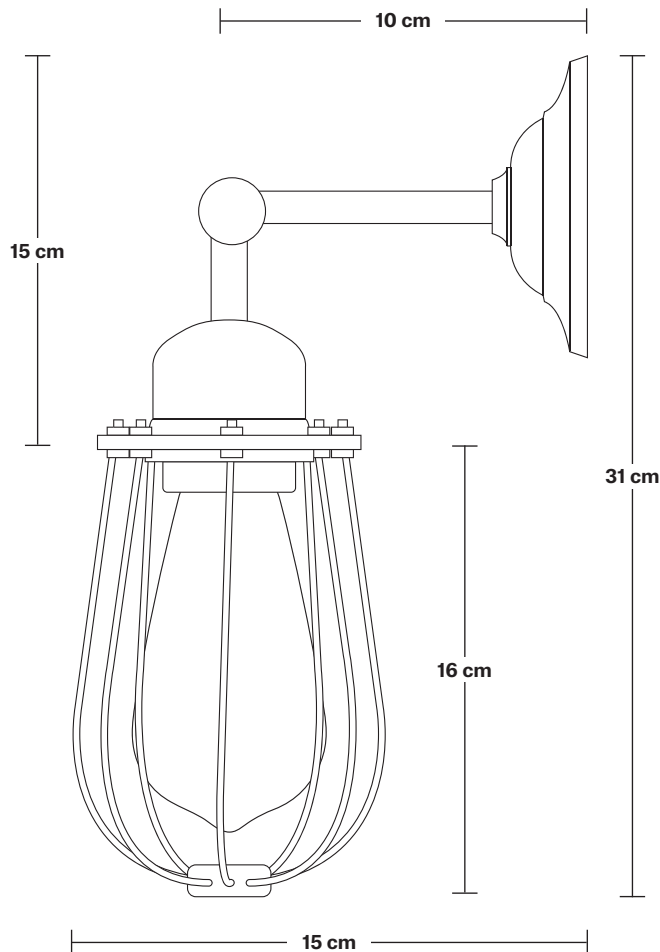
- Hold the cage in place and begin to screw the black ring.
- Install the bulb through the cage opening.
- Screw back the two small nuts on top of the cage and then the nut/screw at the bottom of the cage.
- Once secure it will hold the cage to the holder, your Orlando Cage Wall Light is now installed.

Wire Cage 230
Cylinder 231

Orlando Wire Cage Wall Light - 4 Inch

Product Code: OR-WCWL4

H: 31 cm x W: 10 cm x D: 15 cm



SPECIFICATIONS

We meet all UK and EU lighting and safety regulations.

Our products are hand finished to ensure an authentic vintage look and therefore they may vary slightly from those shown in the images.

Bulb required: Standard screw (E27) fitting, max 40W.

Shade weight: 0.19 kg | **Holder weight:** 0.31 kg

Maximum weight: 0.5 kg

INFORMATION

Finishes: Brass, Pewter.

Ready to be installed, installation required.

Wall mount screws not included.

Holders available: Brass, Pewter.

Wall rose: Brass, Pewter.

DIMENSIONS

Shade Diameter: 10 cm / 4"

Shade Height (no holder): 16 cm / 6.3"

Holder Diameter: 4 cm / 1.6"

Holder Height: 15 cm / 5.9"

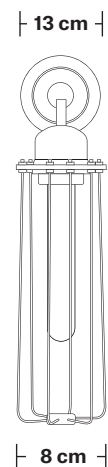
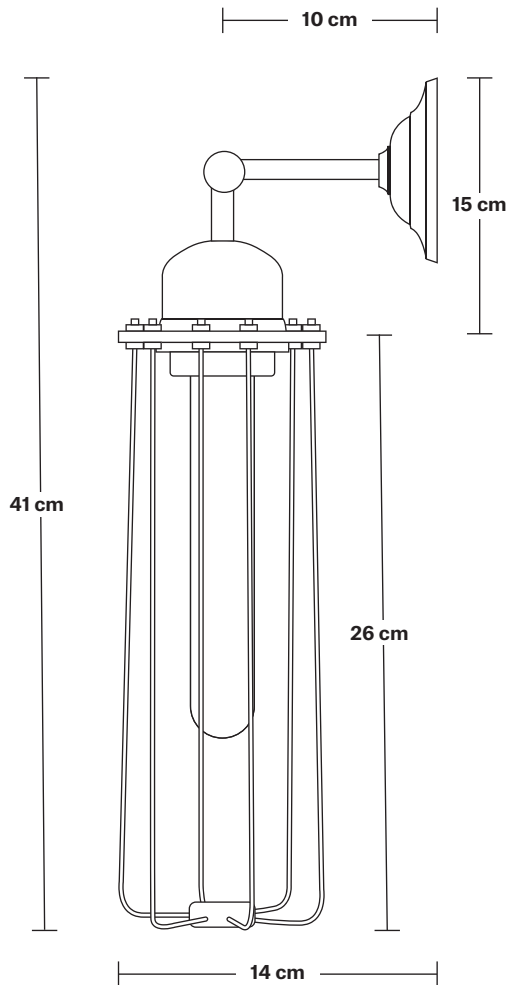
Wall Rose Diameter: 13 cm / 5"

Wall Rose Height: 4 cm / 1.6"

Orlando Cylinder Wall Light - 3 Inch

Product Code: OR-CYWL3

H: 39 cm x W: 8 cm x D: 14 cm



SPECIFICATIONS

We meet all UK and EU lighting and safety regulations.

Our products are hand finished to ensure an authentic vintage look and therefore they may vary slightly from those shown in the images.

Bulb required: Standard screw (E27) fitting, max 40W.

Shade weight: 0.5 kg | **Holder weight:** 0.31 kg

Maximum weight: 0.81kg

INFORMATION

Finishes: Brass, Pewter.

Ready to be installed, installation required.

Wall mount screws not included.

Holders available: Brass, Pewter.

Wall rose: Brass, Pewter.

DIMENSIONS

Shade Diameter: 8 cm / 3.1"

Shade Height (no holder): 26 cm / 10.4"

Holder Diameter: 4 cm / 1.6"

Holder Height: 15 cm / 5.9"

Wall Rose Diameter: 13 cm / 4.9"

Wall Rose Height: 4 cm / 1.6"

Bulkhead

Please note our Bulkheads have internal fixing points and a glanded surface cable entry.

These ceiling fittings are completely pre-wired and only require a small amount of assembly after connecting to the mains wiring:

Caution- Fragile item, extra care needed when installing.

- The front guard is secured by four

wing nuts, unscrew these wing nuts in order to install the bulb.

- Install the bulb.

- Holding the front guard back into place, screw back the four wing nuts taking extra care when handling the glass.

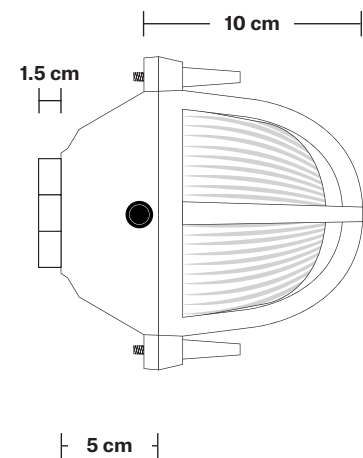
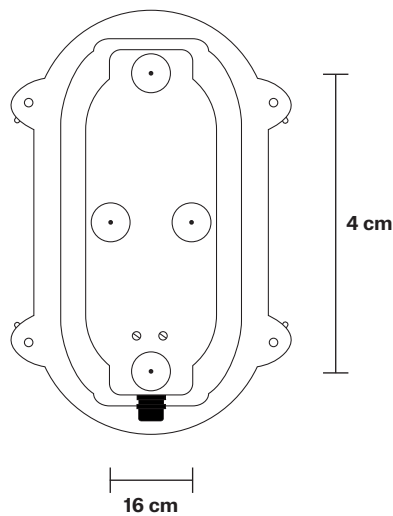
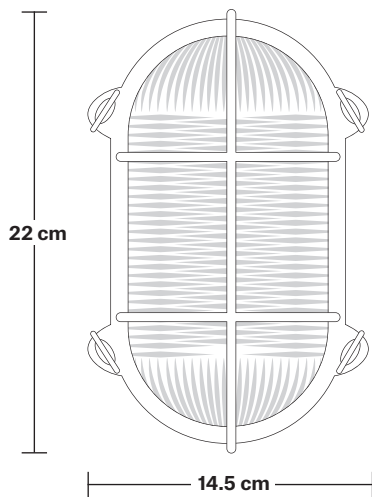
- Once secure, your Bulkhead is now installed.

Oval 234

Bulkhead Outdoor & Bathroom Oval Light 6 Inch - Side Wiring

Product Code: BK-IP65-OWL6-SW

H: 22 cm x W: 14.5 cm x D: 16.5 cm



SPECIFICATIONS

We meet all UK and EU lighting and safety regulations.

Our products are hand finished to ensure an authentic vintage look and therefore they may vary slightly from those shown in the images.

Bulb required: Standard screw (E27) fitting, max 40W.

Glass weight: 0.46 kg | **Shade weight:** 1.5 kg

Maximum weight: 1.96 kg

INFORMATION

Finishes: Gunmetal, Brass, Black.

Ready to be installed, installation required.

Wall mount screws not included.

Glass: Ribbed.

IP rating: IP65 with glass.

DIMENSIONS

Shade Diameter: 14.5 cm / 5.7"

Shade Height (no holder): 22 cm / 8.7"

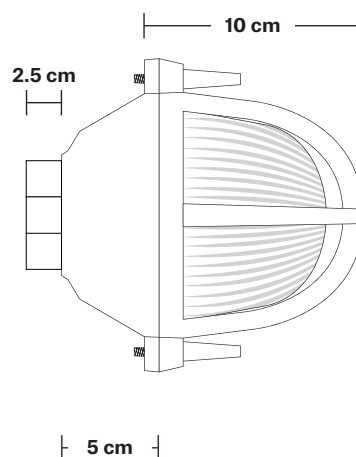
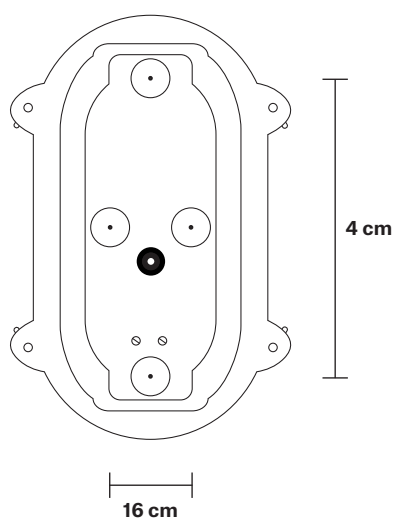
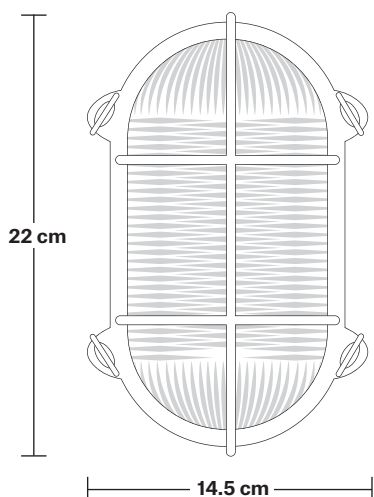
Depth: 15 cm / 5.9"

Depth including feet: 16.5 cm / 6.5"

Bulkhead Outdoor & Bathroom Oval Light 6 Inch - Back Wiring

Product Code: BK-IP65-OWL6-BW

H: 22 cm x W: 14.5 cm x D: 17.5 cm



SPECIFICATIONS

We meet all UK and EU lighting and safety regulations.

Our products are hand finished to ensure an authentic vintage look and therefore they may vary slightly from those shown in the images.

Bulb required: Standard screw (E27) fitting, max 40W.

Glass weight: 0.46 kg | **Shade weight:** 1.5 kg

Maximum weight: 1.96 kg

INFORMATION

Finishes: Gunmetal, Brass, Black.

Ready to be installed, installation required.

Wall mount screws not included.

Glass: Ribbed.

IP rating: IP65 with glass.

DIMENSIONS

Shade Diameter: 14.5 cm / 5.7"

Shade Height (no holder): 22 cm / 8.7"

Depth: 15 cm / 5.9"

Depth including feet: 17.5 cm / 6.9"

Bulkhead

Please note our Bulkheads have internal fixing points and a glanded surface cable entry.

These ceiling fittings are completely pre-wired and only require a small amount of assembly after connecting to the mains wiring:

Caution- Fragile item, extra care needed when installing.

- The front guard is secured by three

wing nuts, unscrew these wing nuts in order to install the bulb.

- Install the bulb.

- Holding the front guard back into place, screw back the three wing nuts taking extra care when handling the glass.

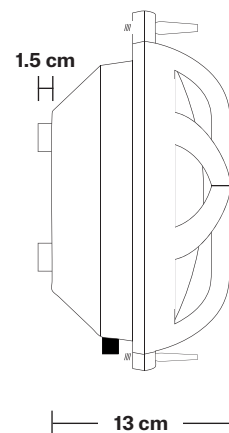
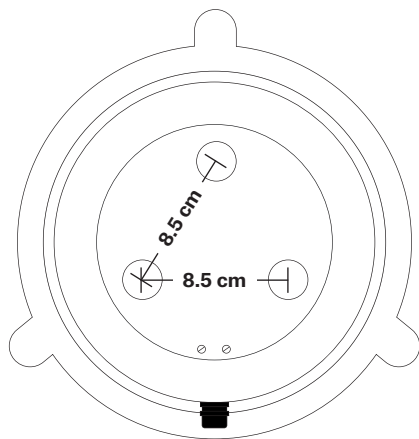
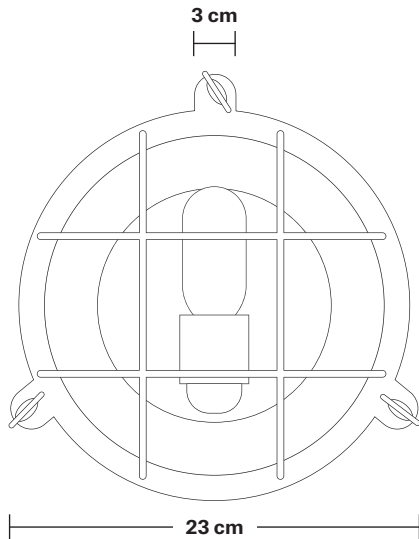
- Once secure, your Bulkhead Wall Sconce is now installed.

Round ²³⁸

Bulkhead Outdoor & Bathroom Round Light 8 Inch - Side Wiring

Product Code: BK-IP65-RWL8-SW

H: 23 cm x W: 23 cm x D: 14.5 cm



SPECIFICATIONS

We meet all UK and EU lighting and safety regulations.

Our products are hand finished to ensure an authentic vintage look and therefore they may vary slightly from those shown in the images.

Bulb required: Standard screw (E27) fitting, max 40W.

Glass weight: 0.46 kg | **Shade weight:** 1.8 kg

Maximum weight: 2.26 kg

INFORMATION

Finishes: Gunmetal, Brass, Black.

Ready to be installed, installation required.

Wall mount screws not included.

Glass: Clear, Ribbed.

IP rating: IP65 with glass.

DIMENSIONS

Shade Diameter: 23 cm / 9.1"

Shade Height (no holder): 23 cm / 9.1"

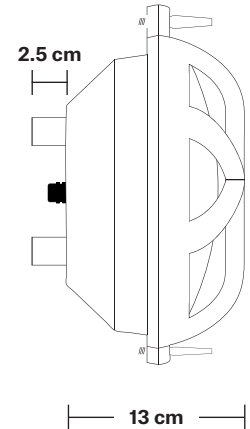
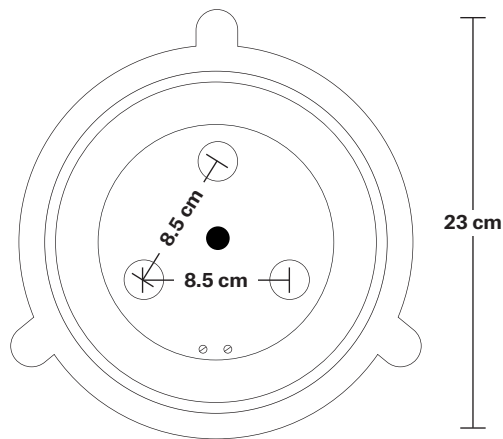
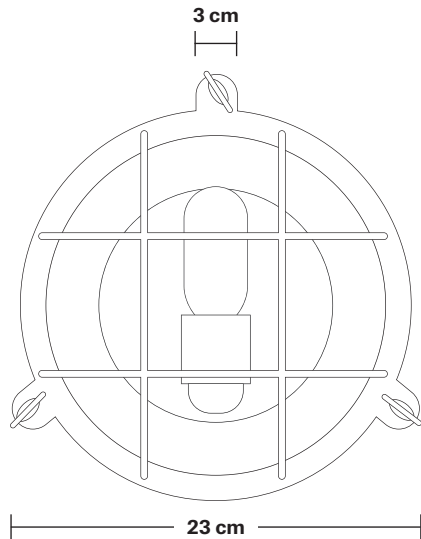
Depth: 13 cm / 5.1"

Depth including feet: 14.5 cm / 5.7"

Bulkhead Outdoor & Bathroom Round Light 8 Inch - Back Wiring

Product Code: BK-IP65-RWL8-BW

H: 23 cm x W: 23 cm x D: 15.5 cm



SPECIFICATIONS

We meet all UK and EU lighting and safety regulations.

Our products are hand finished to ensure an authentic vintage look and therefore they may vary slightly from those shown in the images.

Bulb required: Standard screw (E27) fitting, max 40W.

Glass weight: 0.46 kg | **Shade weight:** 1.7 kg

Maximum weight: 2.16 kg

INFORMATION

Finishes: Gunmetal, Brass, Black.

Ready to be installed, installation required.

Wall mount screws not included.

Glass: Clear, Ribbed.

IP rating: IP65 with glass.

DIMENSIONS

Shade Diameter: 23 cm / 9.1"

Shade Height (no holder): 23 cm / 9.1"

Depth: 13 cm / 5.1"

Depth including feet: 15.5 cm / 5.7"

Bulkhead

These ceiling fittings are completely pre-wired and only require a small amount of assembly after connecting to the mains wiring:

Caution - Fragile item, extra care needed when installing.

- The front guard is secured by two nuts either side of the bulkhead, unscrew these nuts in order to install the bulb.

- Once installed, screw in the glass cover, taking extra care not to screw too tightly and not using too much force.

- Holding the front guard back into place, screw back the two nuts taking extra care when handling the glass.

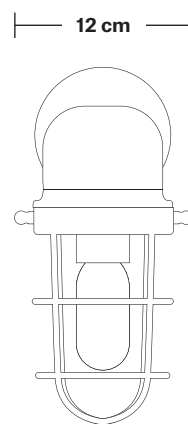
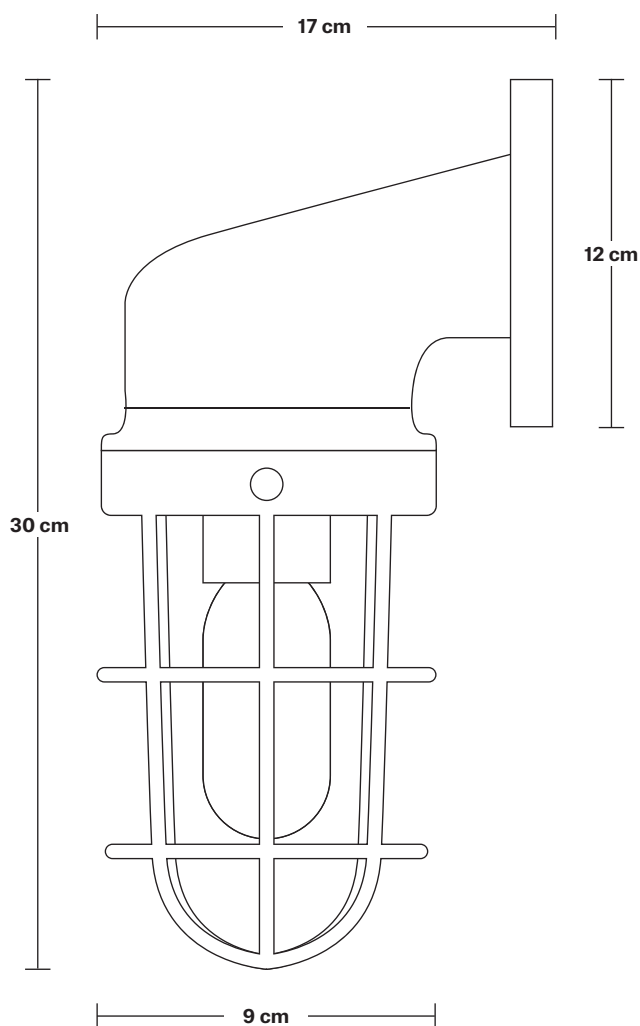
- Once secure, your Bulkhead Wall Light is now installed.

Sconce 242

Bulkhead Outdoor & Bathroom Sconce Wall Light - 12 Inch

Product Code: BK-IP65-SWL12

H: 30 cm x W: 12 cm x D: 17 cm



SPECIFICATIONS

We meet all UK and EU lighting and safety regulations.

Our products are hand finished to ensure an authentic vintage look and therefore they may vary slightly from those shown in the images.

Bulb required: Standard screw (E27) fitting, max 40W.

Glass weight: 0.4 kg **Shade weight:** 1.5 kg - 4kg

Maximum weight: 4.4 kg

INFORMATION

Finishes: Gunmetal, Copper, Black

Ready to be installed, installation required.

Wall mount screws not included.

IP rating: IP65 with glass.

DIMENSIONS

Shade Diameter: 9 cm / 3.5"

Shade Height (no holder): 30 cm / 11.8"

Projection incl shade: 17 cm / 6.7"



Sleek

These ceiling fittings are completely pre-wired and only require a small amount of assembly after connecting to the mains wiring:

Caution - Always disconnect the power supply when changing the bulb.

- Ensure that the power supply has been disconnected.

- Insert an E27 bulb lightly but firmly into the socket, turn it clockwise until it locks into place or keeps gently twisting clockwise until it won't go any further.

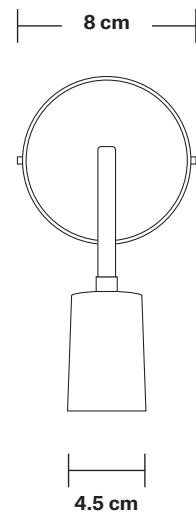
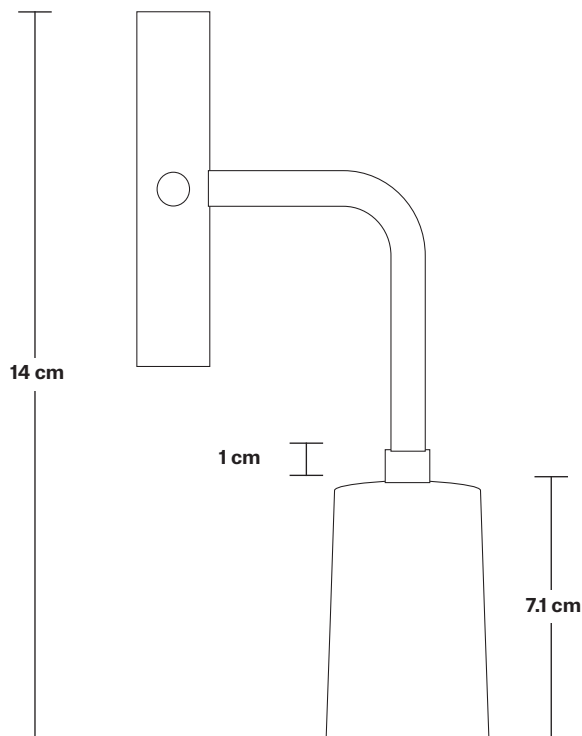
- Once the bulb is in, turn the power back on again and switch on the light, your Sleek Wall Light is now installed.

Edison 246
Long Arm 248

Sleek Edison Wall Light

Product Code: SL-EWL

H: 14 cm x W: 8 cm x D: 11 cm



SPECIFICATIONS

We meet all UK and EU lighting and safety regulations.

Our products are hand finished to ensure an authentic vintage look and therefore they may vary slightly from those shown in the images.

Bulb required: Standard screw (E27) fitting, max 25W.

Weight: 0.23 kg

INFORMATION

Finishes: Brass, Pewter and Copper.

Ready to be installed, installation required.

Wall mount screws not included.

Wall rose: Copper, Brass and Pewter.

DIMENSIONS

Bulb Holder Diameter: 4.5 cm / 1.8"

Bulb Holder Height: 7.1 cm / 2.8"

Holder Diameter: 8 cm / 3.2"

Holder Height: 14 cm / 5.5"

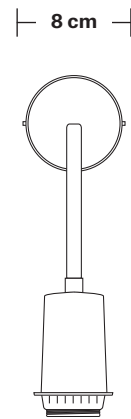
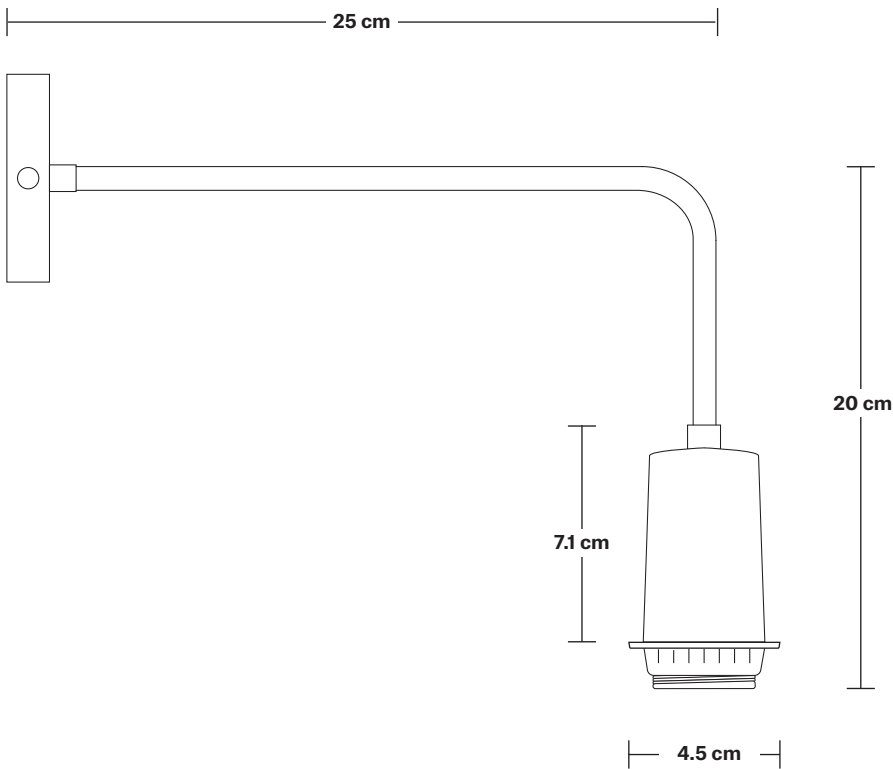
Wall Rose Diameter: 8 cm / 3.2"

Wall Rose Height: 2 cm / 0.8"

Sleek Long Arm Wall Holder

Product Code: SL-LA-WL

H: 24 cm x W: 8 cm x D: 26 cm



SPECIFICATIONS

We meet all UK and EU lighting and safety regulations.

Our products are hand finished to ensure an authentic vintage look and therefore they may vary slightly from those shown in the images.

Bulb required: Standard screw (E27) fitting, max 40W.

Maximum weight: 0.6 kg

INFORMATION

Finishes: Brass, Pewter, Copper.

Ready to be installed, installation required.

Wall mount screws not included.

Wall rose: Copper, Brass, Pewter.

DIMENSIONS

Holder Diameter: 8 cm / 3.2"

Holder Height: 20 cm / 7.8"

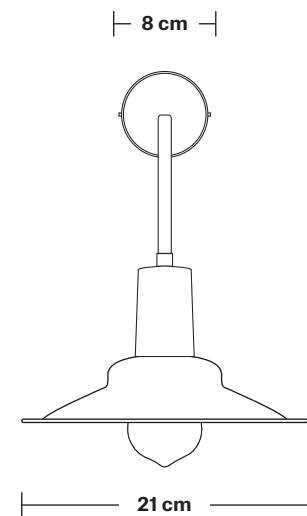
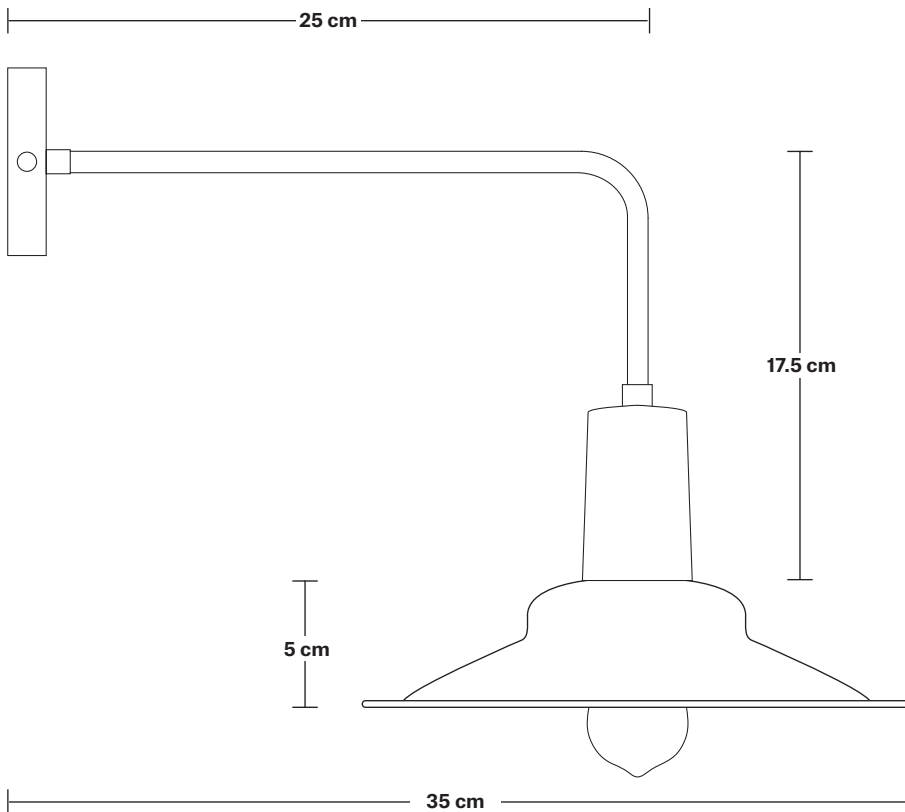
Wall Rose Diameter: 8 cm / 3.2"

Wall Rose Height: 2 cm / 0.8"

Sleek Long Arm Flat Wall Light - 8 Inch

Product Code: SL-LA-FWL8

H: 26 cm x W: 21 cm x D: 35 cm



SPECIFICATIONS

We meet all UK and EU lighting and safety regulations.

Our products are hand finished to ensure an authentic vintage look and therefore they may vary slightly from those shown in the images.

Bulb required: Standard screw (E27) fitting, max 40W.

Shade weight: 0.3 kg | **Holder weight:** 0.3 kg

Maximum weight: 0.6 kg

INFORMATION

Finishes: Brass, Pewter, Copper.

Ready to be installed, installation required.

Wall mount screws not included.

Wall rose: Copper, Brass, Pewter.

DIMENSIONS

Shade Diameter: 21 cm / 8.2"

Shade Height: 5 cm / 2"

Holder Diameter: 8 cm / 3.2"

Holder Height: 17.5 cm / 6.8"

Wall Rose Diameter: 8 cm / 3.2"

Wall Rose Height: 2 cm / 0.8"



Swan Neck

These ceiling fittings are completely pre-wired and only require a small amount of assembly after connecting to the mains wiring:

- Once the pendant holder is installed, unscrew the black ring.

- Hold the shade in place onto the holder.

- Once in place, begin to screw the black ring.

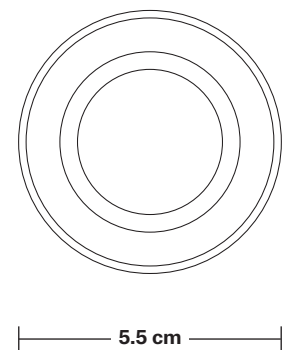
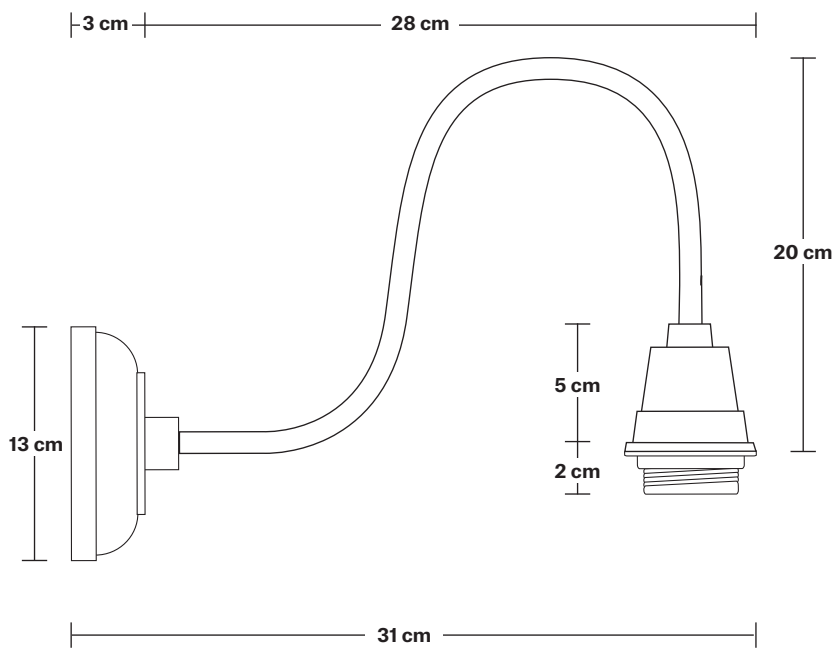
- Once secure, it will hold the shade to the holder, your Swan Neck is now installed.

Angled Wall Holder 252
Cone - 8 Inch 253

Swan Neck Angled Wall Holder

Product Code: SN-AWL

H: 27 cm x W: 13 cm x D: 31 cm



SPECIFICATIONS

We meet all UK and EU lighting and safety regulations.

Our products are hand finished to ensure an authentic vintage look and therefore they may vary slightly from those shown in the images.

Bulb required: Standard screw (E27) fitting, max 40W.

Weight: 0.6 kg

INFORMATION

Finishes: Brass, Pewter.

Ready to be installed, installation required.

Wall mount screws not included.

Wall mount rose: Brass, Pewter.

DIMENSIONS

Holder Diameter: 5.5 cm / 2.1"

Holder Height: 22 cm / 8.6"

Projection: 27 cm / 10.6"

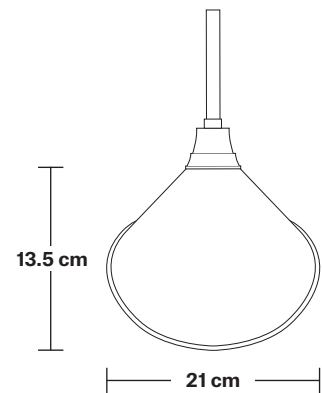
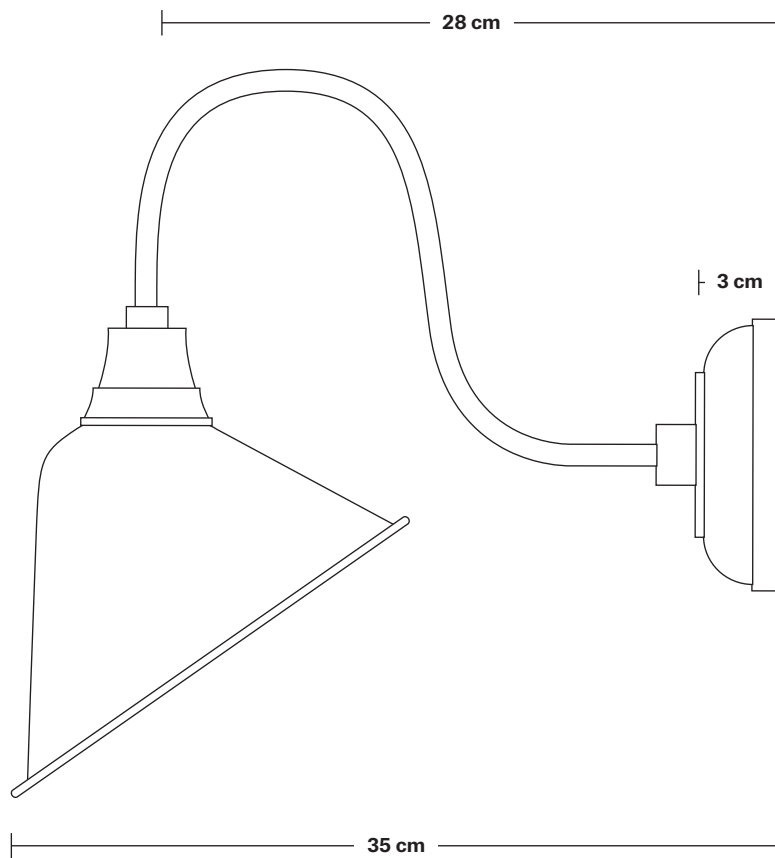
Wall Rose Diameter: 13 cm / 5.1"

Wall Rose Depth: 3 cm / 1.2"

Swan Neck Cone Wall Light - 8 Inch

Product Code: SN-CWL8

H: 32 cm x W: 21 cm x D: 35 cm



SPECIFICATIONS

We meet all UK and EU lighting and safety regulations.

Our products are hand finished to ensure an authentic vintage look and therefore they may vary slightly from those shown in the images.

Bulb required: Standard screw (E27) fitting, max 40W.

Shade weight: 0.25 kg | **Holder weight:** 0.6 kg

Maximum weight: 0.85 kg

INFORMATION

Finishes: Brass, Pewter.

Ready to be installed, installation required.

Wall mount screws not included.

Holders available: Brass, Pewter.

Wall Mount: Pewter.

DIMENSIONS

Shade Diameter: 21 cm / 8.2"

Shade Height (no holder): 13.5 cm / 5.3"

Holder Depth: 6 cm / 2.3"

Holder Height: 25 cm / 10"

Ceiling Rose Diameter: 13 cm / 5.1"

Ceiling Rose Height: 3 cm / 1.2"

Swan Neck

These ceiling fittings are completely pre-wired and only require a small amount of assembly after connecting to the mains wiring:

- Once the wall holder is installed, unscrew the black ring.

- Hold the shade in place onto the holder.

- Once in place, begin to screw the black ring.

- Once secure, it will hold the shade to the holder, your Swan Neck is now installed.

Wall Holder 256

Cone - 7 Inch 257

Round 258

Dome 259

Cone - 12 Inch 261

Step 262

Giant Step 263

Giant Hat 264

Glass Funnel 265

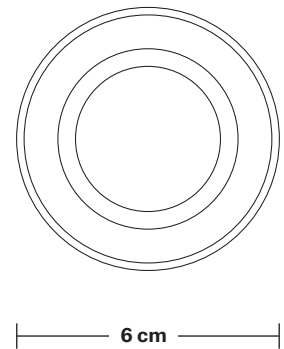
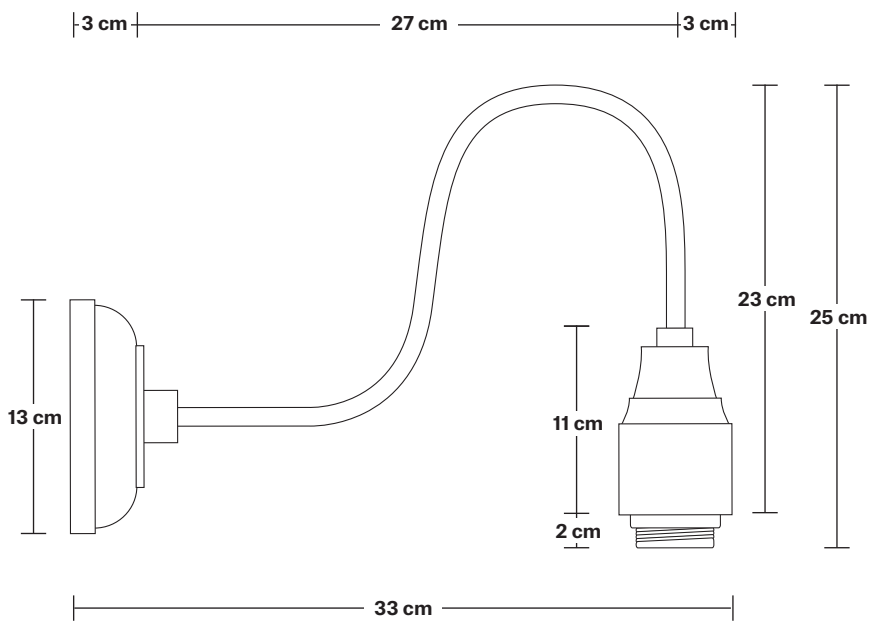
Glass Dome 266

Wire Cage 267

Swan Neck Wall Holder

Product Code: SN-WL

H: 25 cm x W: 13 cm x D: 33 cm



SPECIFICATIONS

We meet all UK and EU lighting and safety regulations.

Our products are hand finished to ensure an authentic vintage look and therefore they may vary slightly from those shown in the images.

Bulb required: Standard screw (E27) fitting, max 40W.

Weight: 0.6 kg

INFORMATION

Finishes: Brass, Pewter.

Ready to be installed, installation required.

Wall mount screws not included.

Wall mount rose: Brass, Pewter.

DIMENSIONS

Holder Diameter: 6 cm / 2.3"

Holder Height: 25 cm / 10"

Projection: 23 cm / 9.1"

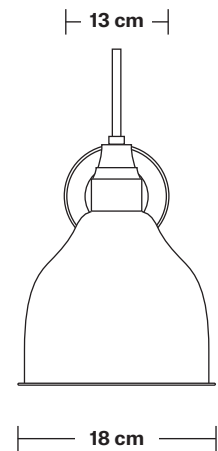
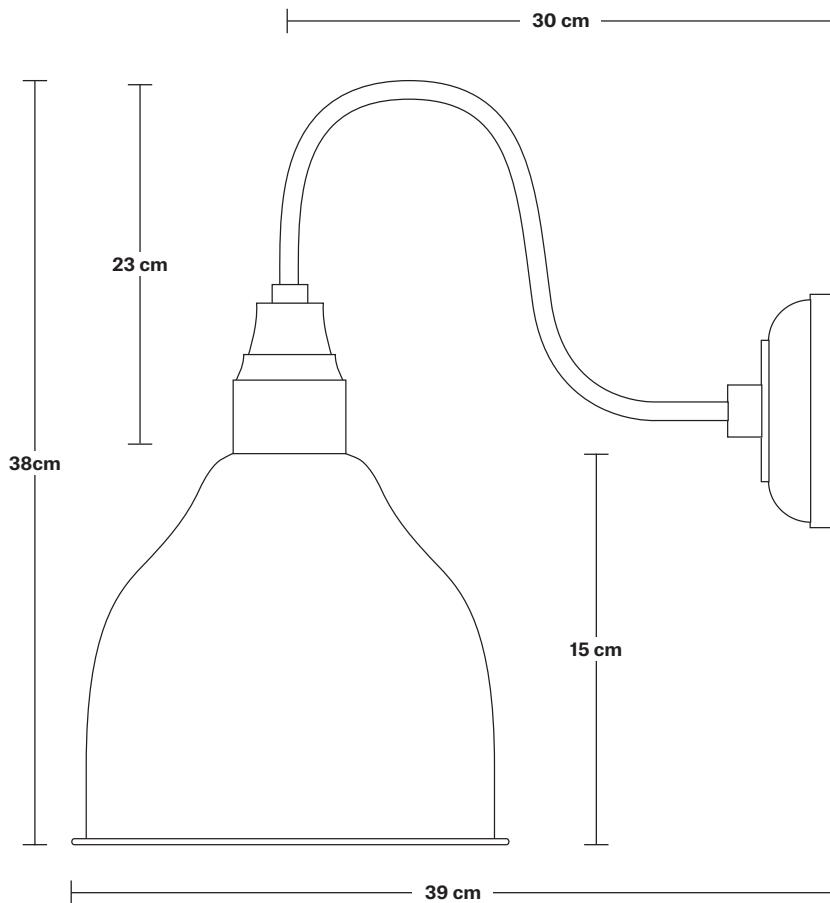
Wall Rose Diameter: 13 cm / 5.1"

Wall Rose Depth: 3 cm / 1.2"

Swan Neck Cone Wall Light - 7 Inch

Product Code: SN-CWL7

H: 38 cm x W: 18 cm x D: 39 cm



SPECIFICATIONS

We meet all UK and EU lighting and safety regulations.

Our products are hand finished to ensure an authentic vintage look and therefore they may vary slightly from those shown in the images.

Bulb required: Standard screw (E27) fitting, max 40W.

Shade weight: 0.35 kg | **Holder weight:** 0.6 kg

Maximum weight: 0.95 kg

INFORMATION

Finishes: Brass, Pewter.

Ready to be installed, installation required.

Wall mount screws not included.

Holders available: Brass, Pewter.

DIMENSIONS

Shade Diameter: 18 cm / 7"

Shade Height (no holder): 15 cm / 6.1"

Holder Diameter: 6 cm / 2.3"

Holder Height: 25 cm / 10"

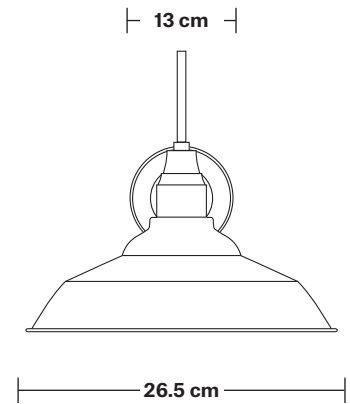
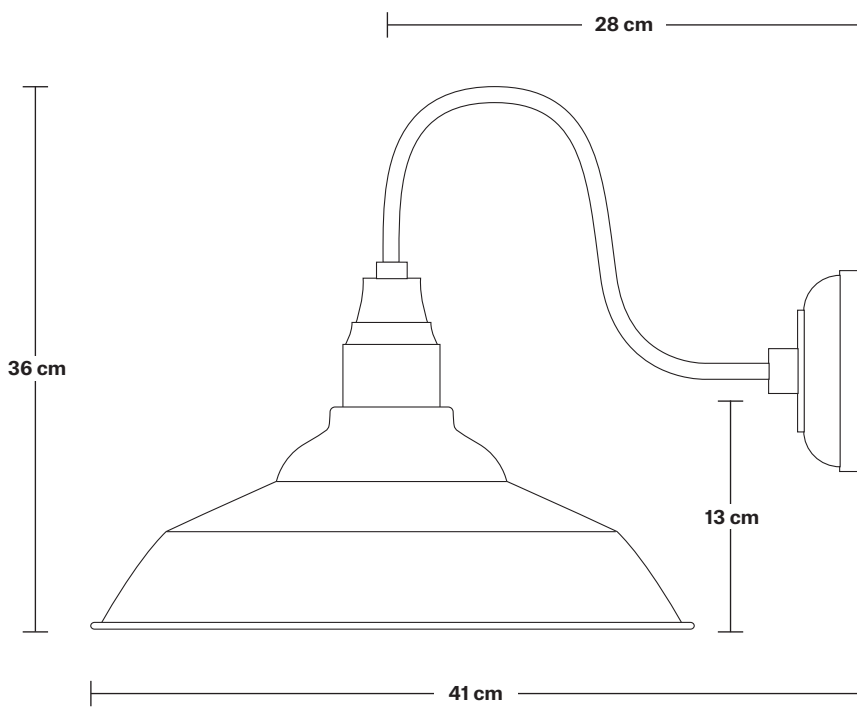
Wall Rose Diameter: 13 cm / 5.1"

Wall Rose Height: 3 cm / 1.2"

Swan Neck Round Wall Light - 8 Inch

Product Code: SN-RWL11

H: 32 cm x W: 21 cm x D: 35 cm



SPECIFICATIONS

We meet all UK and EU lighting and safety regulations.

Our products are hand finished to ensure an authentic vintage look and therefore they may vary slightly from those shown in the images.

Bulb required: Standard screw (E27) fitting, max 40W.

Shade weight: 0.25 kg | **Holder weight:** 0.6 kg

Maximum weight: 0.85 kg

INFORMATION

Finishes: Brass, Pewter.

Ready to be installed, installation required.

Wall mount screws not included.

Holders available: Brass, Pewter.

DIMENSIONS

Shade Diameter: 26.5 cm / 10.4"

Shade Height (no holder): 13 cm / 5"

Holder Depth: 6 cm / 2.3"

Holder Height: 25 cm / 10"

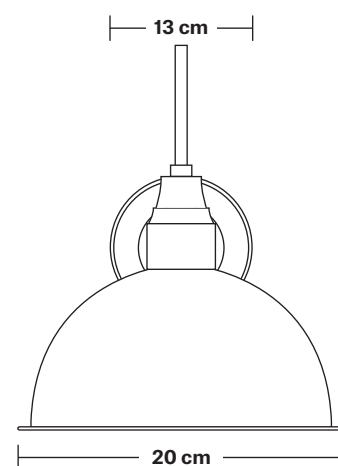
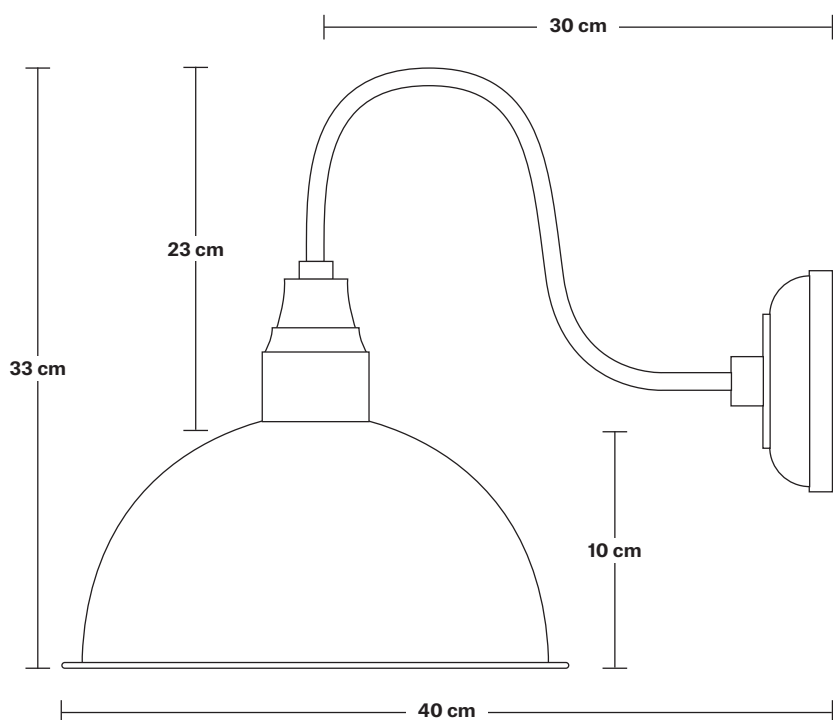
Wall Rose Diameter: 13 cm / 5.1"

Wall Rose Height: 3 cm / 1.2"

Swan Neck Dome Wall Light - 8 Inch

Product Code: SN-DWL8

H: 33 cm x W: 20 cm x D: 40 cm



SPECIFICATIONS

We meet all UK and EU lighting and safety regulations.

Our products are hand finished to ensure an authentic vintage look and therefore they may vary slightly from those shown in the images.

Bulb required: Standard screw (E27) fitting, max 40W.

Shade weight: 0.4 kg | **Holder weight:** 0.6 kg

Maximum weight: 0.4kg

INFORMATION

Finishes: Brass, Pewter.

Ready to be installed, installation required.

Wall mount screws not included.

Holders available: Brass, Pewter.

DIMENSIONS

Shade Diameter: 20 cm / 8"

Shade Height (no holder): 10 cm / 4"

Holder Diameter: 6 cm / 2.3"

Holder Height: 25 cm / 10"

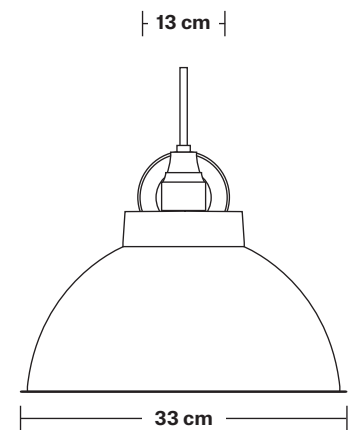
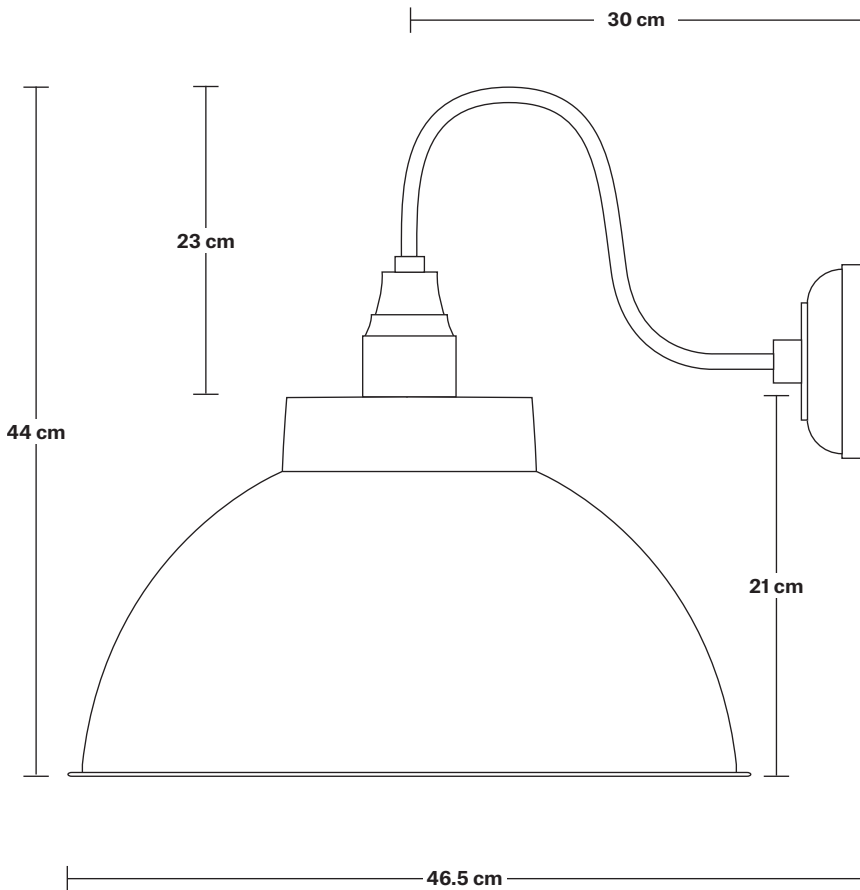
Wall Rose Diameter: 13 cm / 5.1"

Wall Rose Height: 3 cm / 1.2"

Swan Neck Dome Wall Light - 13 Inch

Product Code: SN-DWL13

H: 44 cm x W: 33 cm x D: 46.5 cm



SPECIFICATIONS

We meet all UK and EU lighting and safety regulations.

Our products are hand finished to ensure an authentic vintage look and therefore they may vary slightly from those shown in the images.

Bulb required: Standard screw (E27) fitting, max 40W.

Shade weight: 1.1kg | **Holder weight:** 0.6 kg

Maximum weight: 1.7kg

INFORMATION

Finishes: Brass, Pewter.

Ready to be installed, installation required.

Wall mount screws not included.

Holders available: Brass, Pewter.

DIMENSIONS

Shade Diameter: 33 cm / 13"

Shade Height (no holder): 21 cm / 8.3"

Holder Diameter: 6 cm / 2.3"

Holder Height: 25 cm / 10"

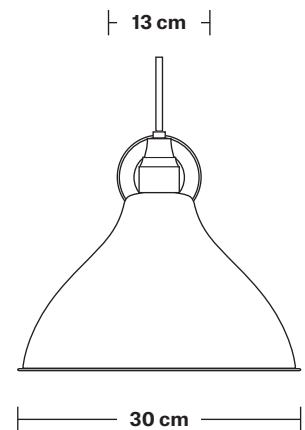
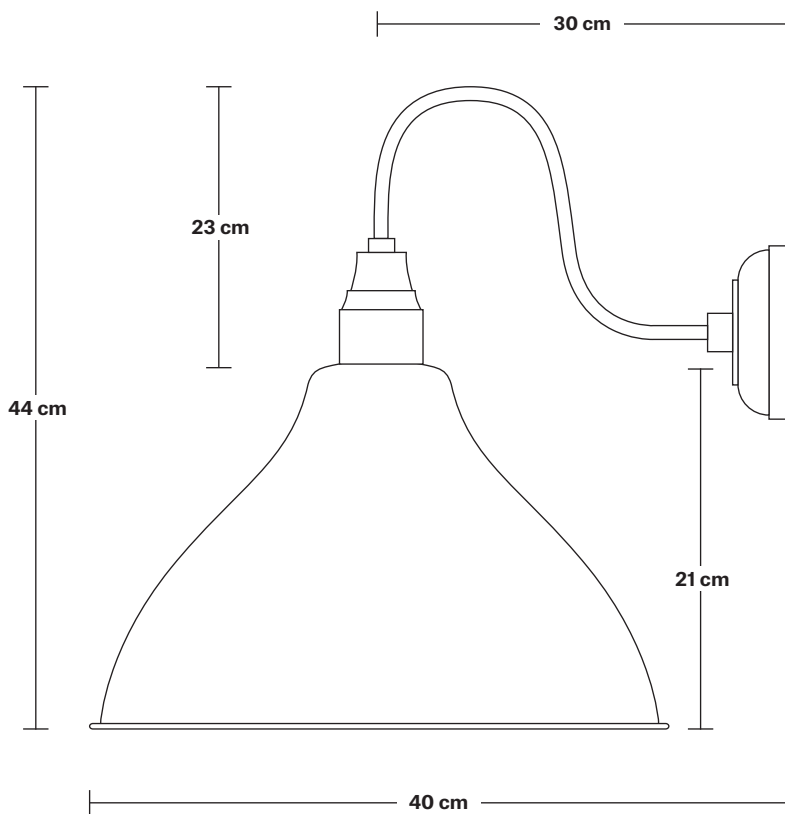
Wall Rose Diameter: 13 cm / 5.1"

Wall Rose Height: 3 cm / 1.2"

Swan Neck Cone Wall Light - 12 Inch

Product Code: SN-CWL12

H: 44 cm x W: 30 cm x D: 40 cm



SPECIFICATIONS

We meet all UK and EU lighting and safety regulations.

Our products are hand finished to ensure an authentic vintage look and therefore they may vary slightly from those shown in the images.

Bulb required: Standard screw (E27) fitting, max 40W.

Shade weight: 0.85 kg | **Holder weight:** 0.6 kg

Maximum weight: 1.45 kg

INFORMATION

Finishes: Brass, Pewter.

Ready to be installed, installation required.

Wall mount screws not included.

Holders available: Brass, Pewter.

DIMENSIONS

Shade Diameter: 30 cm / 12"

Shade Height (no holder): 21 cm / 8.3"

Holder Diameter: 6 cm / 2.3"

Holder Height: 25 cm / 10"

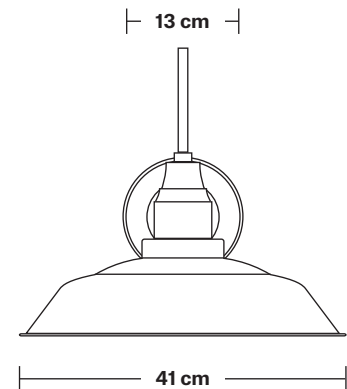
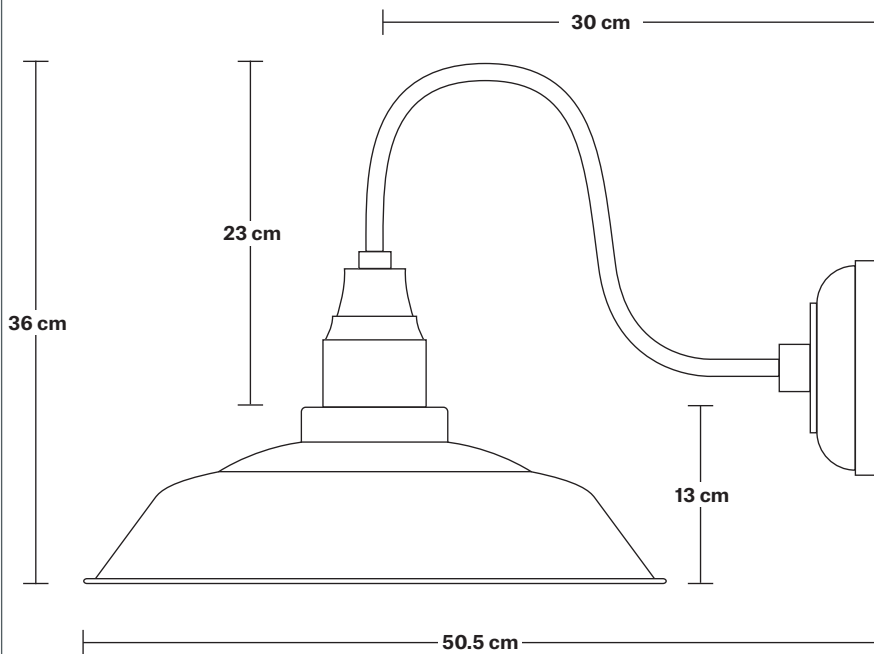
Wall Rose Diameter: 13 cm / 5.1"

Wall Rose Height: 3 cm / 1.2"

Swan Neck Step Wall Light - 16 Inch

Product Code: SN-SWL16

H: 36 cm x W: 41 cm x D: 50.5 cm



SPECIFICATIONS

We meet all UK and EU lighting and safety regulations.

Our products are hand finished to ensure an authentic vintage look and therefore they may vary slightly from those shown in the images.

Bulb required: Standard screw (E27) fitting, max 40W.

Shade weight: 1.2 kg | **Holder weight:** 0.6 kg

Maximum weight: 1.8 kg

INFORMATION

Finishes: Brass, Pewter.

Ready to be installed, installation required.

Wall mount screws not included.

Holders available: Brass, Pewter.

DIMENSIONS

Shade Diameter: 41 cm / 16"

Shade Height (no holder): 13 cm / 5.1"

Holder Diameter: 6 cm / 2.3"

Holder Height: 25 cm / 10"

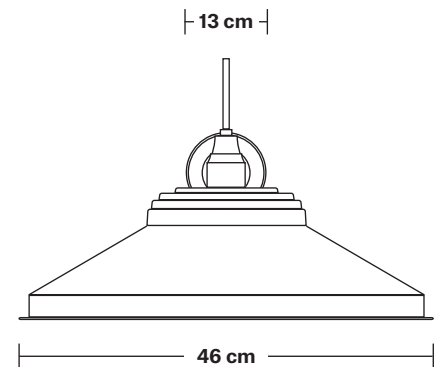
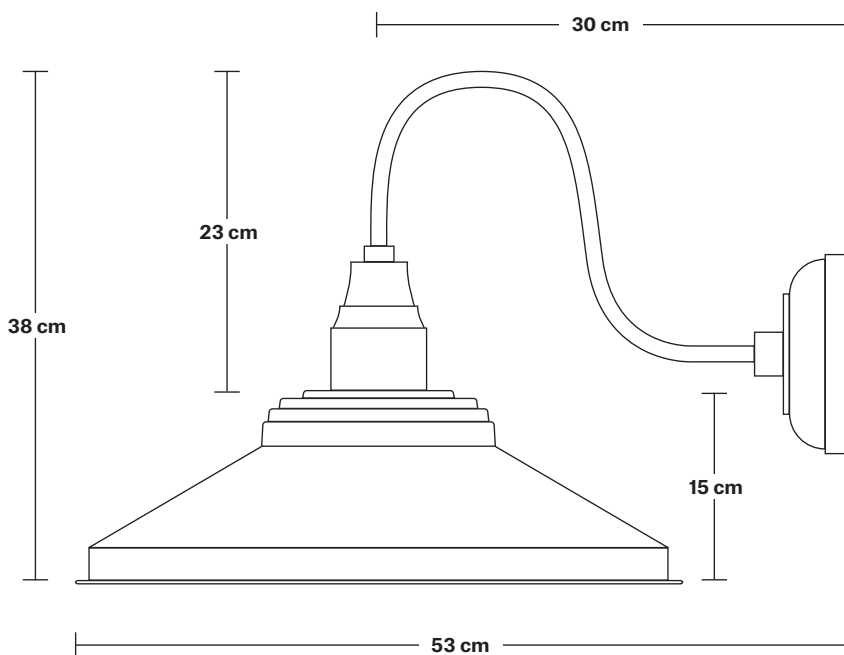
Wall Rose Diameter: 13 cm / 5.1"

Wall Rose Height: 3 cm / 1.2"

Swan Neck Giant Step Wall Light - 18 Inch

Product Code: SN-GSWL18

H: 38 cm x W: 46 cm x D: 53 cm



SPECIFICATIONS

We meet all UK and EU lighting and safety regulations.

Our products are hand finished to ensure an authentic vintage look and therefore they may vary slightly from those shown in the images.

Bulb required: Standard screw (E27) fitting, max 40W.

Shade weight: 1.4 kg | **Holder weight:** 0.6 kg

Maximum weight: 2 kg

INFORMATION

Finishes: Brass, Pewter.

Ready to be installed, installation required.

Wall mount screws not included.

Holders available: Brass, Pewter.

DIMENSIONS

Shade Diameter: 46 cm / 18"

Shade Height (no holder): 15 cm / 6"

Holder Diameter: 6 cm / 2.3"

Holder Height: 25 cm / 10"

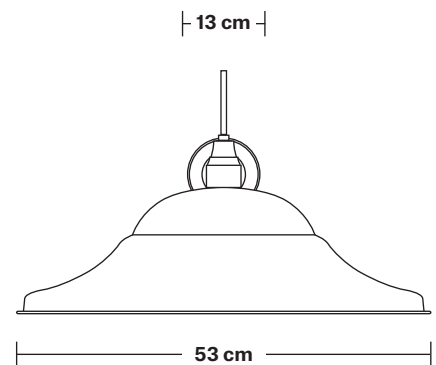
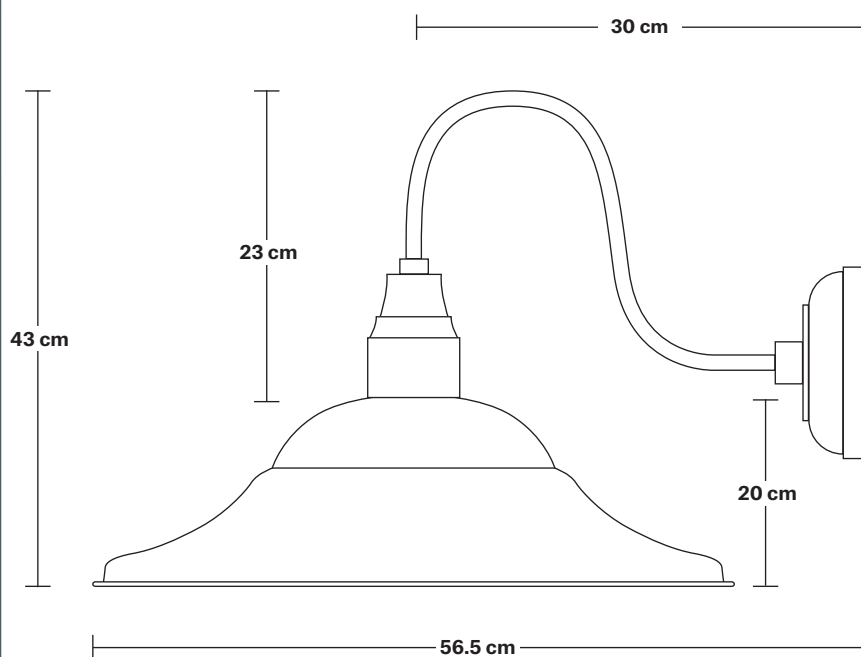
Wall Rose Diameter: 13 cm / 5.1"

Wall Rose Height: 3 cm / 1.2"

Swan Neck Giant Hat Wall Light - 21 Inch

Product Code: SN-GHWL21

H: 43 cm x W: 53 cm x D: 56.5 cm



SPECIFICATIONS

We meet all UK and EU lighting and safety regulations.

Our products are hand finished to ensure an authentic vintage look and therefore they may vary slightly from those shown in the images.

Bulb required: Standard screw (E27) fitting, max 40W.

Shade weight: 1.8 kg | **Holder weight:** 0.6 kg

Maximum weight: 2.4 kg

INFORMATION

Finishes: Brass, Pewter.

Ready to be installed, installation required.

Wall mount screws not included.

Holders available: Brass, Pewter.

DIMENSIONS

Shade Diameter: 53 cm / 21"

Shade Height (no holder): 20 cm / 7.9"

Holder Diameter: 6 cm / 2.3"

Holder Height: 25 cm / 10"

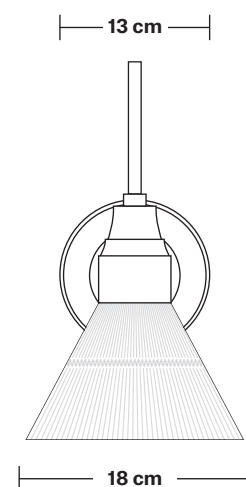
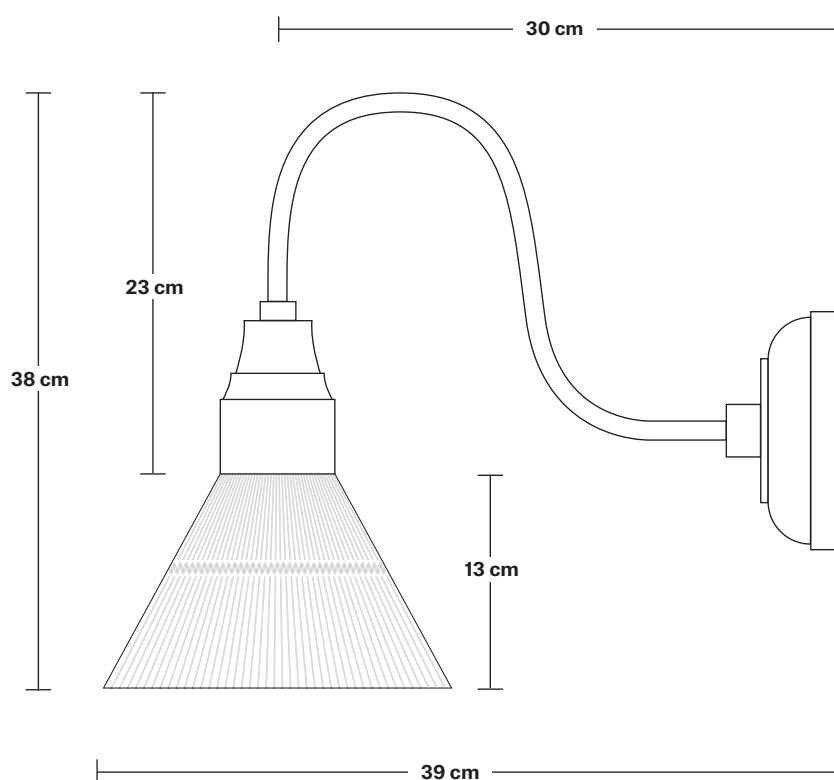
Wall Rose Diameter: 13 cm / 5.1"

Wall Rose Height: 3 cm / 1.2"

Swan Neck Glass Funnel Wall Light - 7 Inch

Product Code: SN-GLFWL7

H: 38 cm x W: 18 cm x D: 39 cm



SPECIFICATIONS

We meet all UK and EU lighting and safety regulations.

Our products are hand finished to ensure an authentic vintage look and therefore they may vary slightly from those shown in the images.

Bulb required: Standard screw (E27) fitting, max 40W.

Shade weight: 0.6 kg | **Holder weight:** 0.6 kg

Maximum weight: 1.2 kg

INFORMATION

Finishes: Glass.

Ready to be installed, installation required.

Wall mount screws not included.

Holders available: Brass, Pewter.

Wall rose: Brass, Pewter.

DIMENSIONS

Shade Diameter: 18 cm / 7"

Shade Height (no holder): 13 cm / 5"

Holder Diameter: 6 cm / 2.3"

Holder Height: 25 cm / 10"

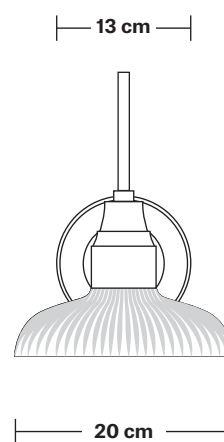
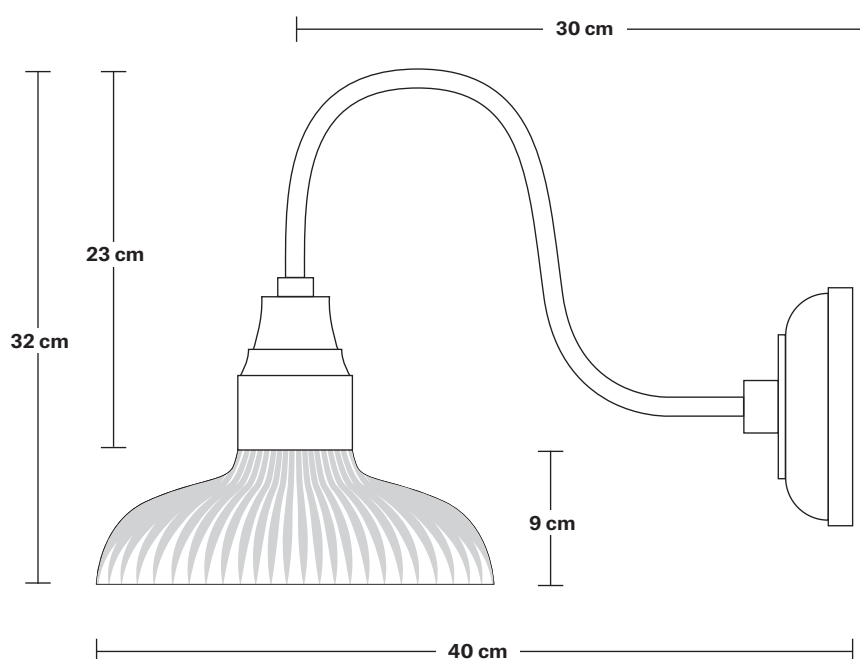
Wall Rose Diameter: 13 cm / 5.1"

Wall Rose Height: 3 cm / 1.2"

Swan Neck Glass Dome Wall Light - 8 inch

Product Code: SN-GLDWL8

H: 32 cm x W: 20 cm x D: 40 cm



SPECIFICATIONS

We meet all UK and EU lighting and safety regulations.

Our products are hand finished to ensure an authentic vintage look and therefore they may vary slightly from those shown in the images.

Bulb required: Standard screw (E27) fitting, max 40W.

Shade weight: 0.65 kg | **Holder weight:** 0.6 kg

Maximum weight: 1.25 kg

INFORMATION

Finishes: Glass.

Ready to be installed, installation required.

Wall mount screws not included.

Holders available: Brass, Pewter.

Wall rose: Brass, Pewter.

DIMENSIONS

Shade Diameter: 20 cm / 7.8"

Shade Height (no holder): 9 cm / 3.5"

Holder Diameter: 6 cm / 2.3"

Holder Height: 25 cm / 10"

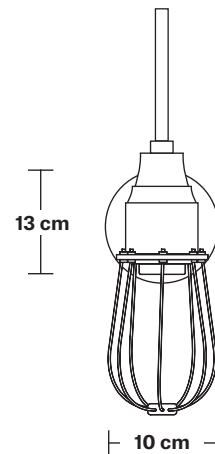
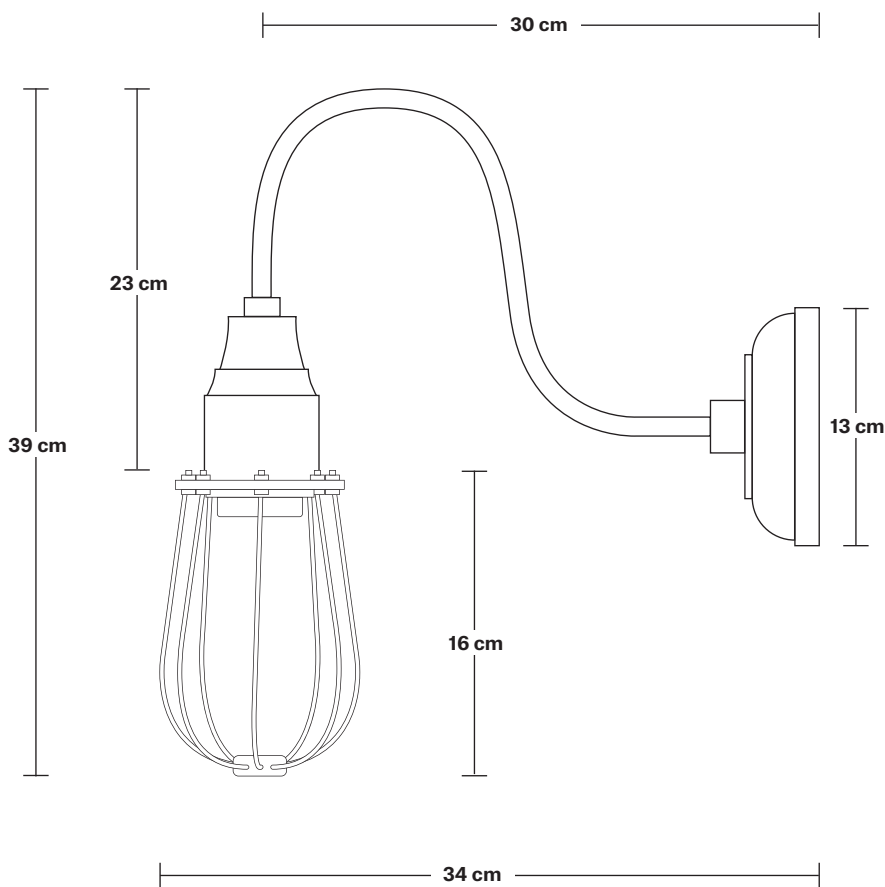
Wall Rose Diameter: 13 cm / 5.1"

Wall Rose Height: 3 cm / 1.2"

Swan Neck Wire Cage Wall Light

Product Code: SN-WCWL4

H: 39 cm x W: 13 cm x D: 34 cm



SPECIFICATIONS

We meet all UK and EU lighting and safety regulations.

Our products are hand finished to ensure an authentic vintage look and therefore they may vary slightly from those shown in the images.

Bulb required: Standard screw (E27) fitting, max 40W.

Shade weight: 0.2 kg | **Holder weight:** 0.6 kg

Maximum weight: 0.8 kg

INFORMATION

Finishes: Brass, Pewter.

Ready to be installed, installation required.

Wall mount screws not included.

Holders available: Brass, Pewter.

Wall rose: Brass, Pewter.

DIMENSIONS

Shade Diameter: 10 cm / 4"

Shade Height (no holder): 16 cm / 6.3"

Holder Diameter: 6 cm / 2.3"

Holder Height: 25 cm / 10"

Wall Rose Diameter: 13 cm / 5.1"

Wall Rose Height: 3 cm / 1.2"

Swan Neck

Outdoor & Bathroom

These ceiling fittings are completely pre-wired and only require a small amount of assembly after connecting to the mains wiring:

Caution - fragile item, extra care needed when installing.

- Once the wall holder is installed, install the bulb.

- After installing the bulb, screw in the glass cover.

- Once secure, your Swan Neck Wall Light is now installed.

Wall Holder – Tube 270

Wall Holder – Globe 271

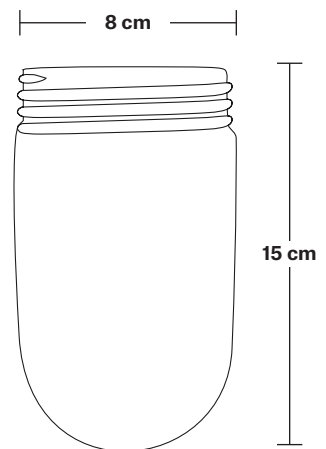
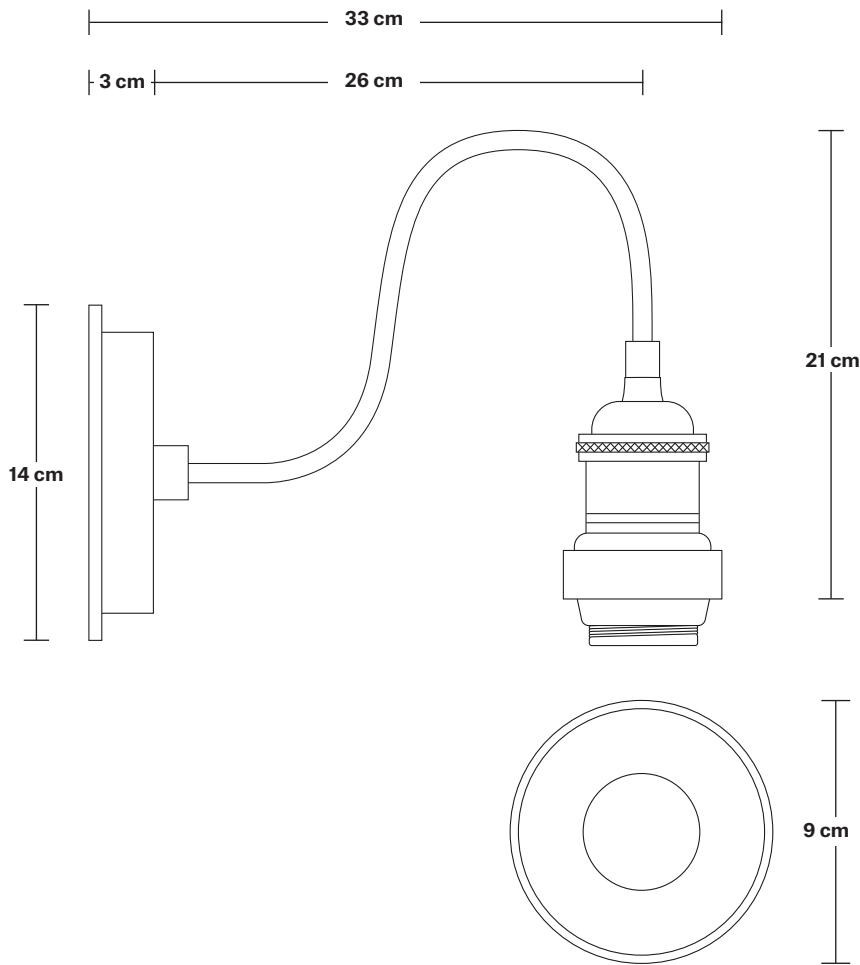
Tube Glass 272

Globe Glass 273

Swan Neck Outdoor & Bathroom Dome Wall Light - 8 Inch - Tube Glass

Product Code: SN-IP65-WLH

H: 21 cm x W: 14 cm x D: 33 cm



SPECIFICATIONS

We meet all UK and EU lighting and safety regulations.

Our products are hand finished to ensure an authentic vintage look and therefore they may vary slightly from those shown in the images.

Bulb required: Standard screw (E27) fitting, max 40W.

Maximum weight: 1 kg

INFORMATION

Finishes: Brass, Pewter, Copper.

Ready to be installed, installation required.

Wall mount screws not included.

Holders available: Brass, Pewter, Copper.

Wall rose: Pewter.

IP rating: IP65 with glass (Tube, Globe).

DIMENSIONS

Holder Diameter: 33 cm / 12.9"

Holder Height: 21 cm / 8.2"

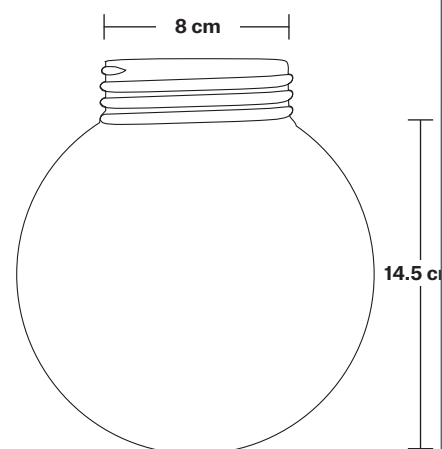
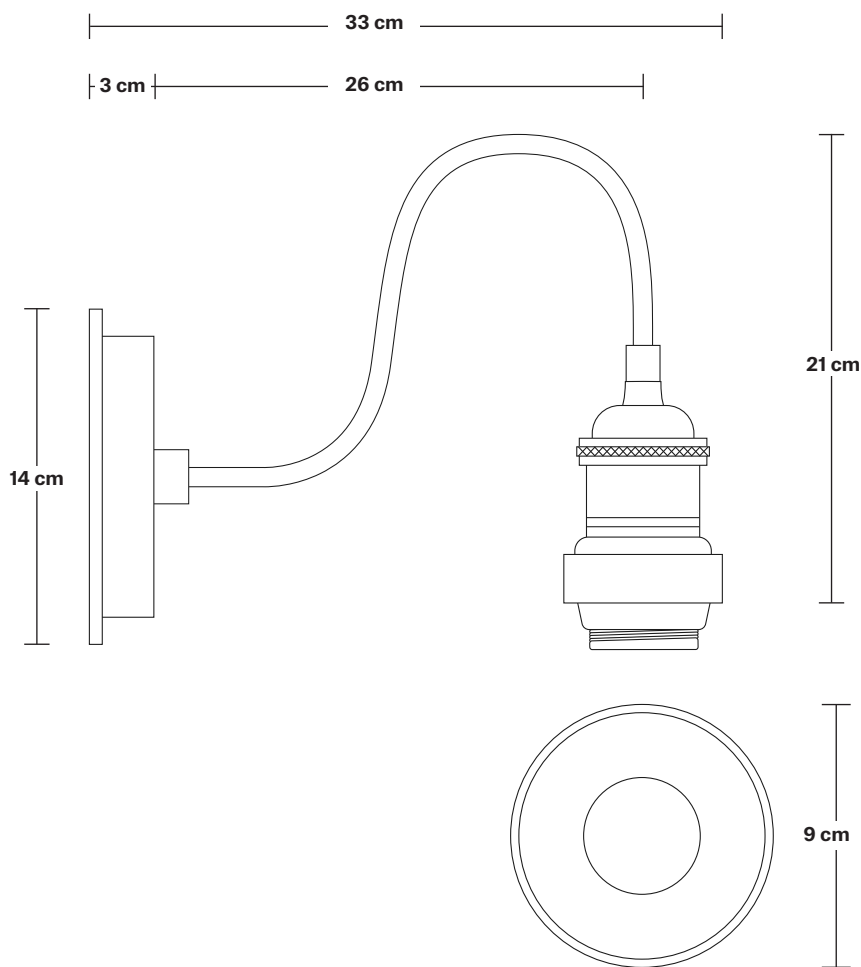
Wall Rose Diameter: 14 cm / 5.5"

Wall Rose Depth: 3 cm / 1.2"

Swan Neck Outdoor & Bathroom Dome Wall Light - 8 Inch - Globe Glass

Product Code: SN-IP65-WLH-GLG

H: 21 cm x W: 14 cm x D: 33 cm



SPECIFICATIONS

We meet all UK and EU lighting and safety regulations.

Our products are hand finished to ensure an authentic vintage look and therefore they may vary slightly from those shown in the images.

Bulb required: Standard screw (E27) fitting, max 40W.

Maximum weight: 1 kg

INFORMATION

Finishes: Brass, Pewter, Copper.

Ready to be installed, installation required.

Wall mount screws not included.

Holders available: Brass, Pewter, Copper.

Wall rose: Pewter.

IP rating: IP65 with glass (Tube, Globe).

DIMENSIONS

Holder Diameter: 33 cm / 12.9"

Holder Height: 21 cm / 8.2"

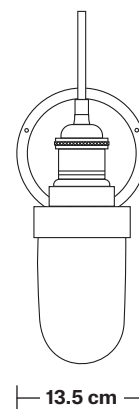
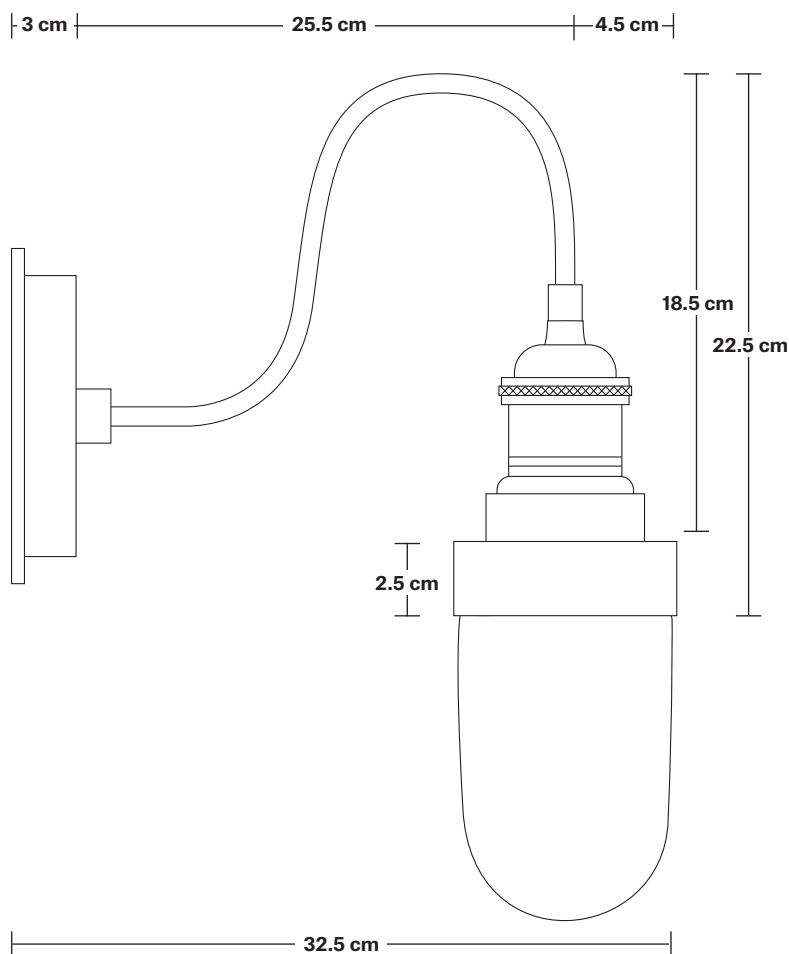
Wall Rose Diameter: 14 cm / 5.5"

Wall Rose Depth: 3 cm / 1.2"

Swan Neck Outdoor & Bathroom Wall Light - Tube Glass

Product Code: SN-IP65-WL

H: 37.5 cm x W: 13.5 cm x D: 32.5 cm



SPECIFICATIONS

We meet all UK and EU lighting and safety regulations.

Our products are hand finished to ensure an authentic vintage look and therefore they may vary slightly from those shown in the images.

Bulb required: Standard screw (E27) fitting, max 40W.

Weight: 1 kg

INFORMATION

Finishes: Brass, Pewter, Copper.

Ready to be installed, installation required.

Wall mount screws not included.

Wall rose: Pewter.

IP rating: IP65 with Tube glass.

DIMENSIONS

Holder Diameter: 32.5 cm / 12.8"

Holder Height: 22.5 cm / 8.9"

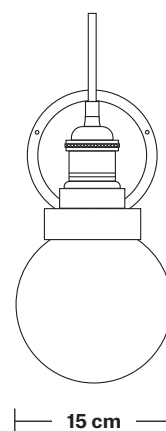
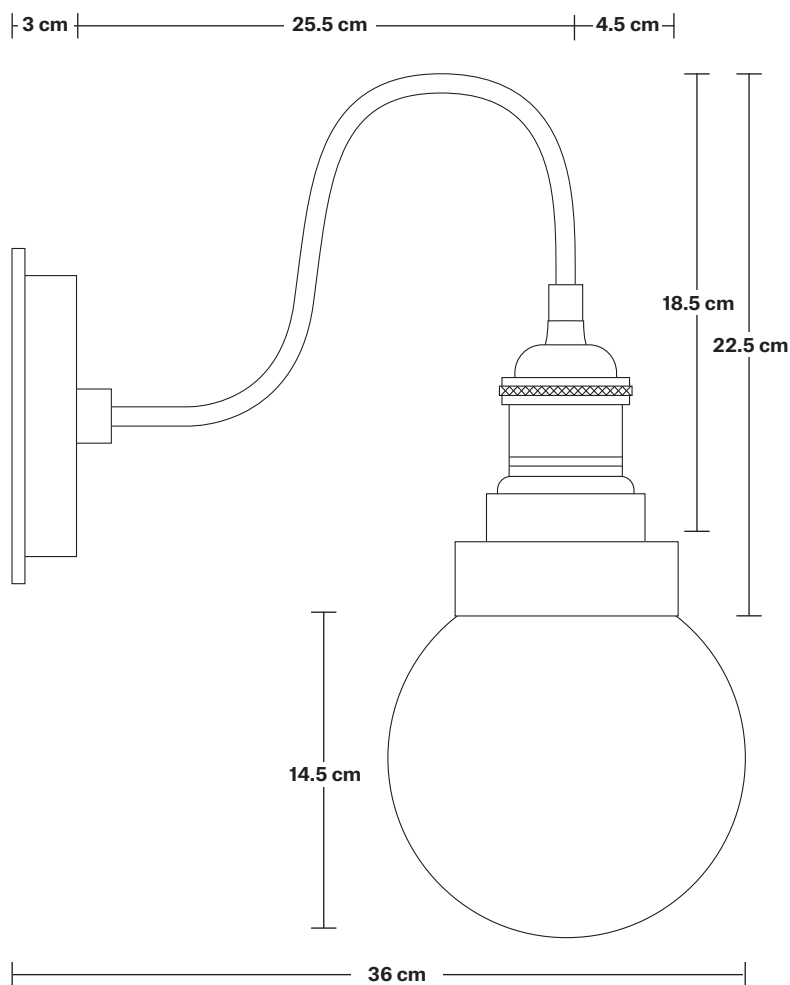
Wall Rose Diameter: 13.5 cm / 5.3"

Wall Rose Depth: 3 cm / 1.2"

Swan Neck Outdoor & Bathroom Wall Light - Globe Glass

Product Code: SN-IP65-WL-GLG

H: 37 cm x W: 15 cm x D: 36 cm



SPECIFICATIONS

We meet all UK and EU lighting and safety regulations.

Our products are hand finished to ensure an authentic vintage look and therefore they may vary slightly from those shown in the images.

Bulb required: Standard screw (E27) fitting, max 40W.

Weight: 1 kg

INFORMATION

Finishes: Brass, Pewter, Copper.

Ready to be installed, installation required.

Wall mount screws not included.

Wall rose: Pewter.

IP rating: IP65 with Globe glass.

DIMENSIONS

Holder Diameter: 32.5 cm / 12.8"

Holder Height: 22.5 cm / 8.9"

Wall Rose Diameter: 13.5 cm / 5.3"

Wall Rose Depth: 3 cm / 1.2"

Swan Neck

Outdoor & Bathroom

These ceiling fittings are completely pre-wired and only require a small amount of assembly after connecting to the mains wiring:

- Once the wall holder is installed, unscrew the black ring.

- Hold the shade in place onto the holder.

- After holding the shade in its place, place the threaded metal ring beneath the shade (if you don't want to have a shade, simply screw the threaded metal ring directly on the

holder).

- Once in place, begin to screw the black ring.

- Once secure, it will hold the shade and the threaded metal ring to the holder.

- Once in place, install the bulb.

- After installing the bulb, screw in the glass cover.

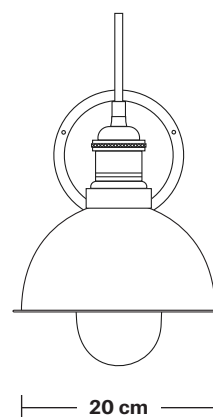
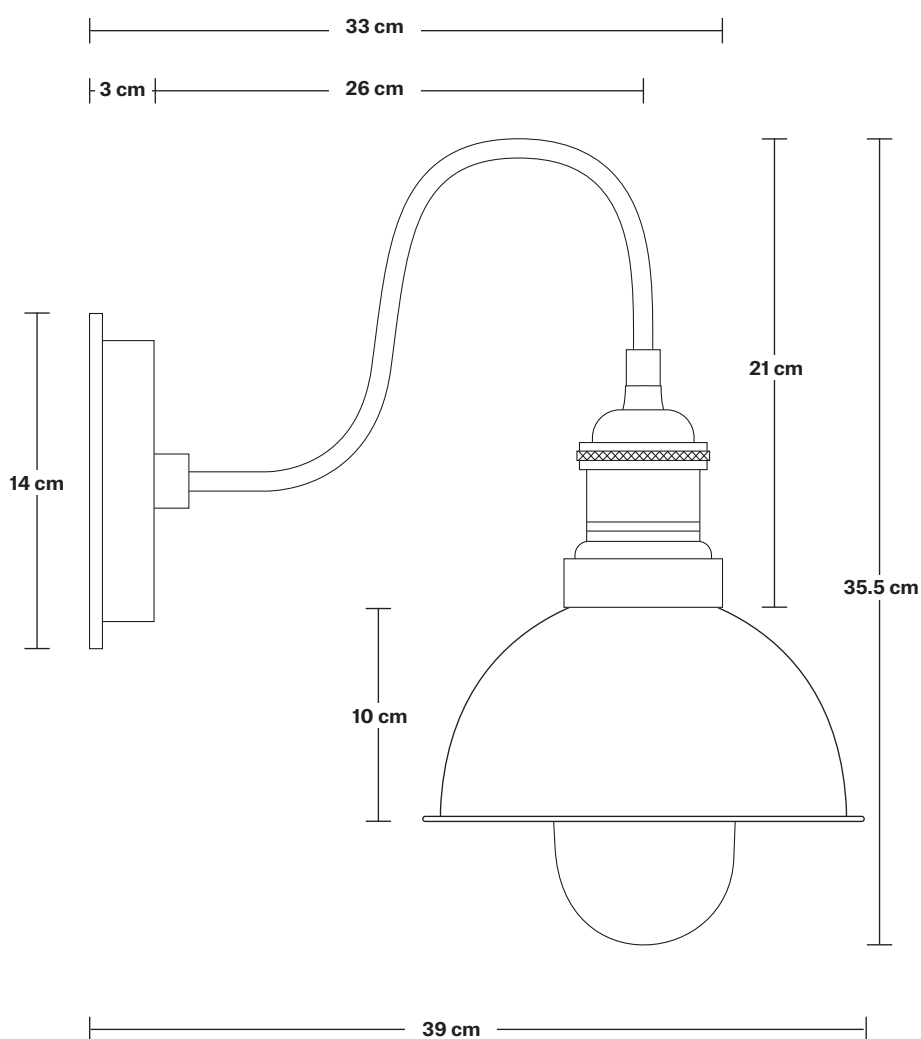
- Once secure, your Swan Wall Light is now installed.

Dome	276
Step	280
Giant Step	281
Giant Hat	282
Giant Bell	283

Swan Neck Outdoor & Bathroom Dome Wall Light - 8 Inch -Tube Glass

Product Code: SN-IP65-DWL8

H: 35.5 cm x W: 20 cm x D: 39 cm



SPECIFICATIONS

We meet all UK and EU lighting and safety regulations.

Our products are hand finished to ensure an authentic vintage look and therefore they may vary slightly from those shown in the images.

Bulb required: Standard screw (E27) fitting, max 40W.

Shade weight: 0.4 kg | **Holder weight:** 1 kg

Maximum weight: 1.4 kg

INFORMATION

Finishes: Brass, Copper, Pewter & Copper, Pewter & Brass.

Ready to be installed, installation required.

Wall mount screws not included.

Holders available: Brass, Pewter, Copper.

Wall rose: Pewter.

IP rating: IP65 with Tube glass.

DIMENSIONS

Shade Diameter: 20 cm / 8"

Shade Height: 10 cm / 4"

Holder Diameter: 33 cm / 12.9"

Holder Height: 21 cm / 8.2"

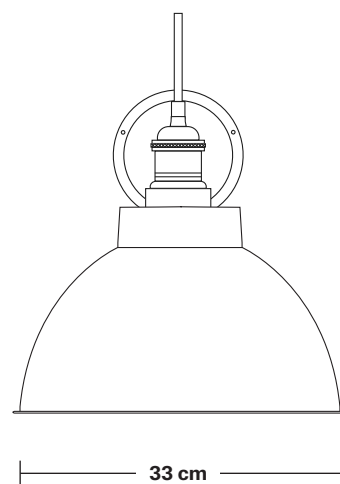
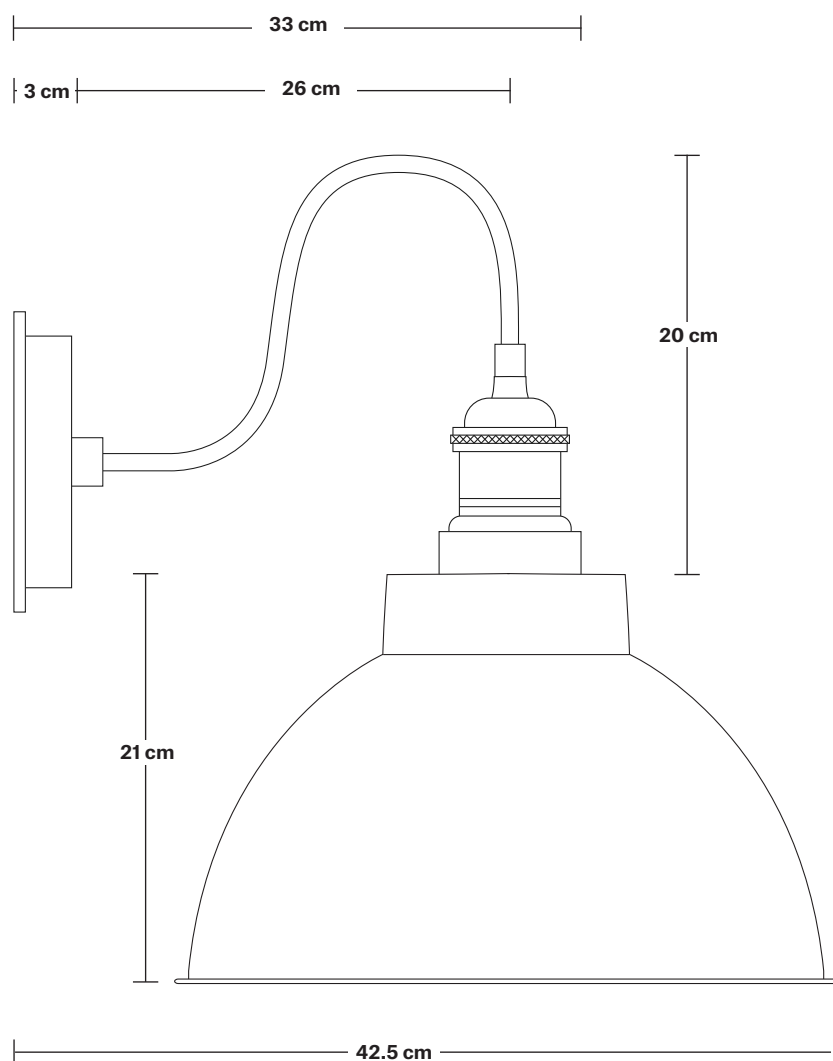
Wall Rose Diameter: 14 cm / 5.5"

Wall Rose Depth: 3 cm / 1.2"

Swan Neck Outdoor & Bathroom Dome Wall Light - 13 Inch

Product Code: SN-IP65-DWL13

H: 41 cm x W: 33 cm x D: 45.5 cm



SPECIFICATIONS

We meet all UK and EU lighting and safety regulations.

Our products are hand finished to ensure an authentic vintage look and therefore they may vary slightly from those shown in the images.

Bulb required: Standard screw (E27) fitting, max 40W.

Shade weight: 1.1 kg | **Holder weight:** 1 kg

Maximum weight: 2.1 kg

INFORMATION

Finishes: Brass, Copper, Pewter & Copper, Pewter & Brass.

Ready to be installed, installation required.

Wall mount screws not included.

Holders available: Brass, Pewter, Copper.

Wall rose: Pewter.

IP rating: IP65 with glass (Tube, Globe).

DIMENSIONS

Shade Diameter: 33 cm / 13"

Shade Height (no holder): 21 cm / 8.3"

Holder Diameter: 31.5 cm / 12.4"

Holder Height: 20 cm / 7.8"

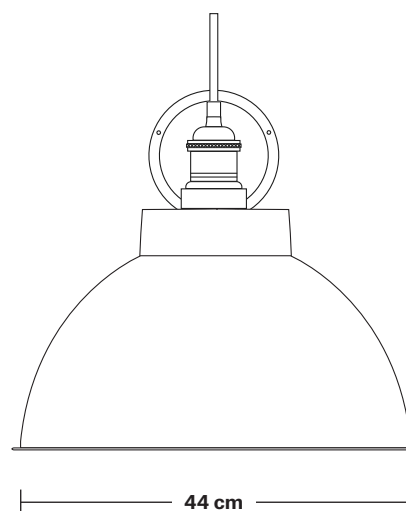
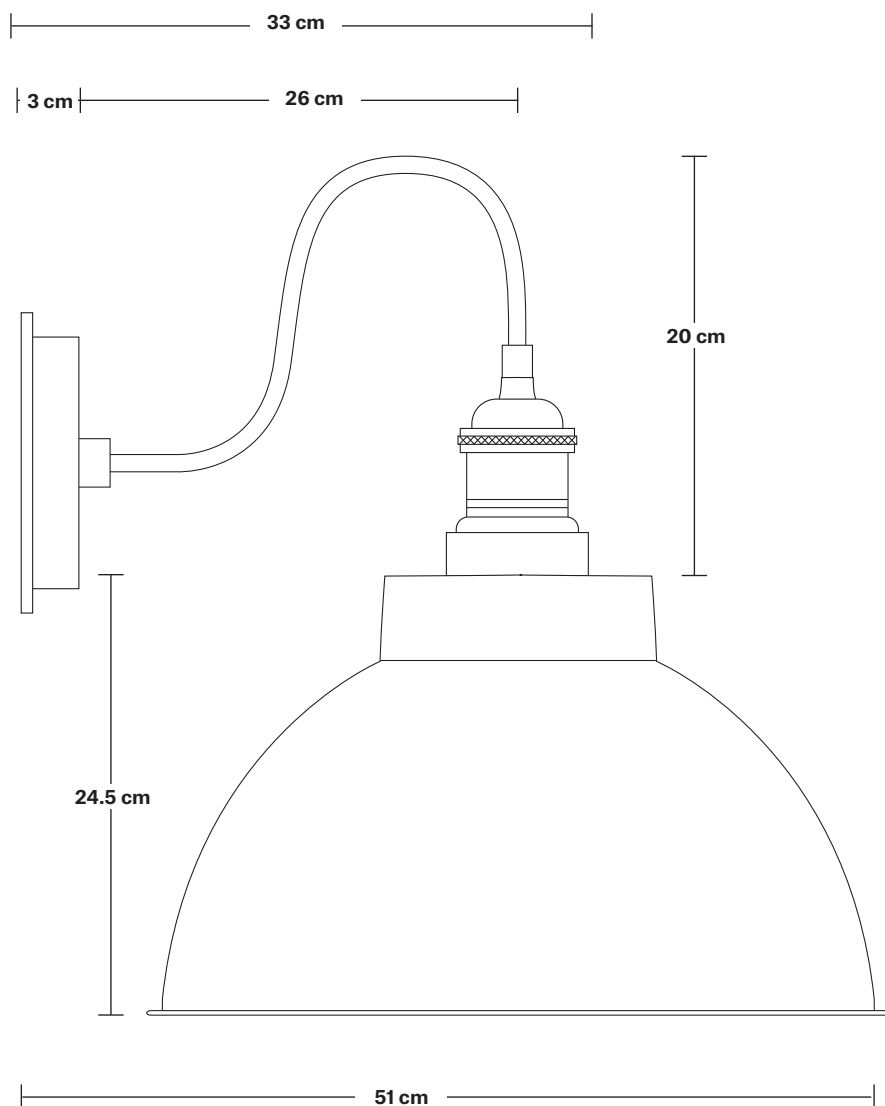
Wall Rose Diameter: 14 cm / 5.5"

Wall Rose Depth: 3 cm / 1.2"

Swan Neck Outdoor & Bathroom Dome Wall Light - 17 Inch

Product Code: SN-IP65-DWL17

H: 44.5 cm x W: 44 cm x D: 51 cm



SPECIFICATIONS

We meet all UK and EU lighting and safety regulations.

Our products are hand finished to ensure an authentic vintage look and therefore they may vary slightly from those shown in the images.

Bulb required: Standard screw (E27) fitting, max 40W.

Shade weight: 2.1 kg | **Holder weight:** 1 kg

Maximum weight: 3.1 kg

INFORMATION

Finishes: Brass, Copper, Pewter & Copper, Pewter & Brass.

Ready to be installed, installation required.

Wall mount screws not included.

Holders available: Brass, Pewter, Copper.

Wall rose: Pewter.

IP rating: IP65 with glass (Tube, Globe).

DIMENSIONS

Shade Diameter: 44 cm / 17.3"

Shade Height (no holder): 24.5 cm / 9.6"

Holder Diameter: 31.5 cm / 12.4"

Holder Height: 20 cm / 7.8"

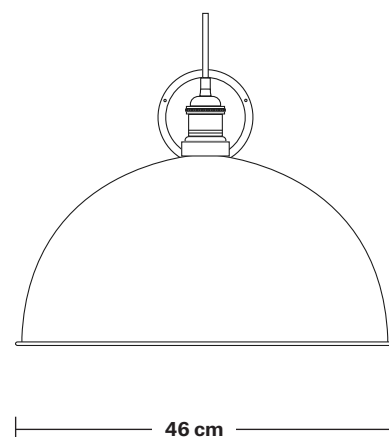
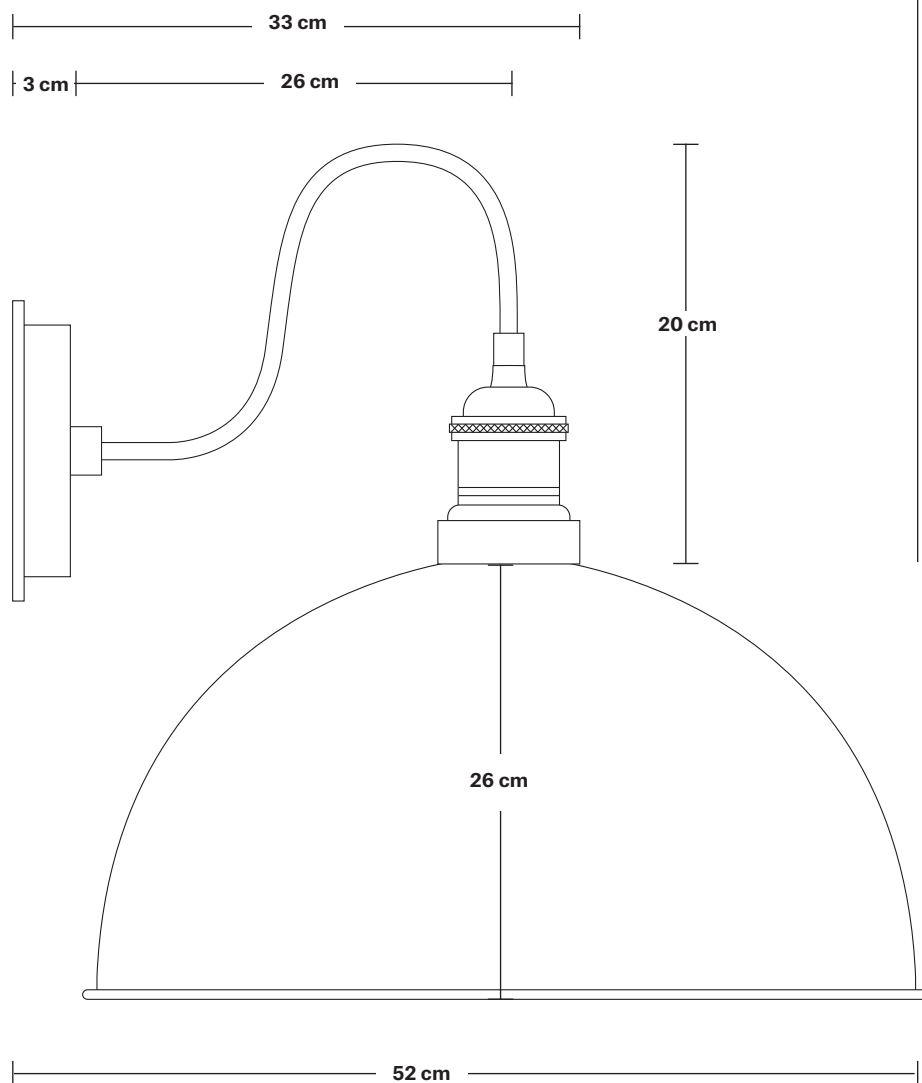
Wall Rose Diameter: 14 cm / 5.5"

Wall Rose Depth: 3 cm / 1.2"

Swan Neck Outdoor & Bathroom Dome Wall Light - 18 Inch

Product Code: SN-IP65-DWL18

H: 46 cm x W: 46 cm x D: 52 cm



SPECIFICATIONS

We meet all UK and EU lighting and safety regulations.

Our products are hand finished to ensure an authentic vintage look and therefore they may vary slightly from those shown in the images.

Bulb required: Standard screw (E27) fitting, max 40W.

Shade weight: 2.1 kg | **Holder weight:** 1 kg

Maximum weight: 3.1 kg

INFORMATION

Finishes: Pewter & Copper

Ready to be installed, installation required.

Wall mount screws not included.

Holders available: Pewter, Copper.

Wall rose: Pewter.

IP rating: IP65 with glass (Tube, Globe).

DIMENSIONS

Shade Diameter: 46 cm / 18"

Shade Height (no holder): 26 cm / 10"

Holder Diameter: 31.5 cm / 12.4"

Holder Height: 20 cm / 7.8"

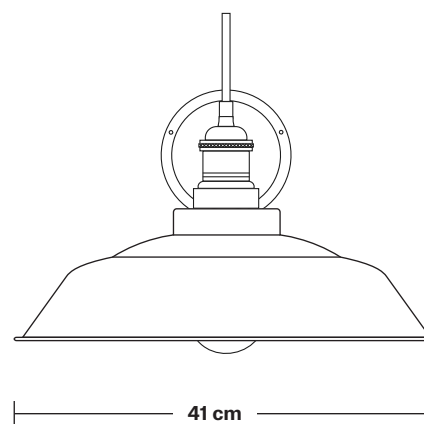
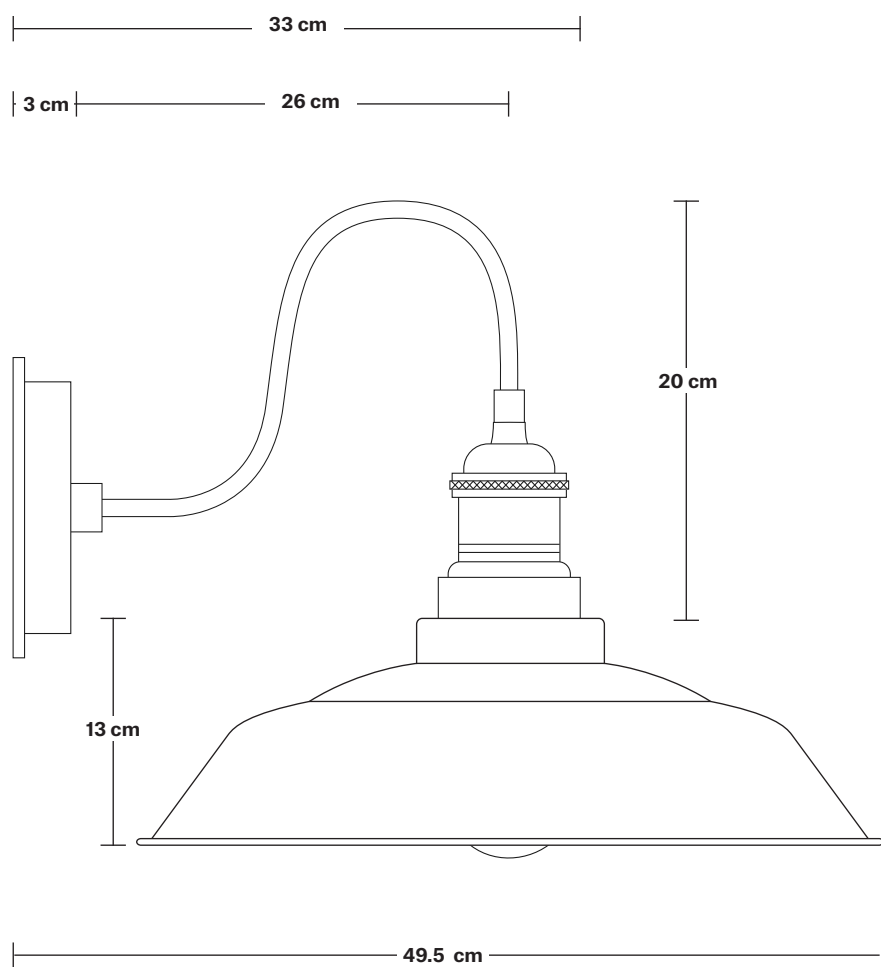
Wall Rose Diameter: 14 cm / 5.5"

Wall Rose Depth: 3 cm / 1.2"

Swan Neck Outdoor & Bathroom Step Wall Light - 16 Inch

Product Code: SN-IP65-SWL16

H: 35 cm x W: 41 cm x D: 49.5 cm



SPECIFICATIONS

We meet all UK and EU lighting and safety regulations.

Our products are hand finished to ensure an authentic vintage look and therefore they may vary slightly from those shown in the images.

Bulb required: Standard screw (E27) fitting, max 40W.

Shade weight: 1.2 kg | **Holder weight:** 1 kg

Maximum weight: 2.2 kg

INFORMATION

Finishes: Brass.

Ready to be installed, installation required.

Wall mount screws not included.

Holders available: Brass, Pewter.

Wall rose: Pewter.

IP rating: IP65 with glass (Tube, Globe).

DIMENSIONS

Shade Diameter: 41 cm / 16"

Shade Height (no holder): 13 cm / 5.1"

Holder Diameter: 31.5 cm / 12.4"

Holder Height: 20 cm / 7.8"

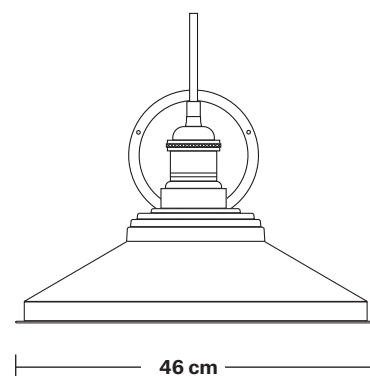
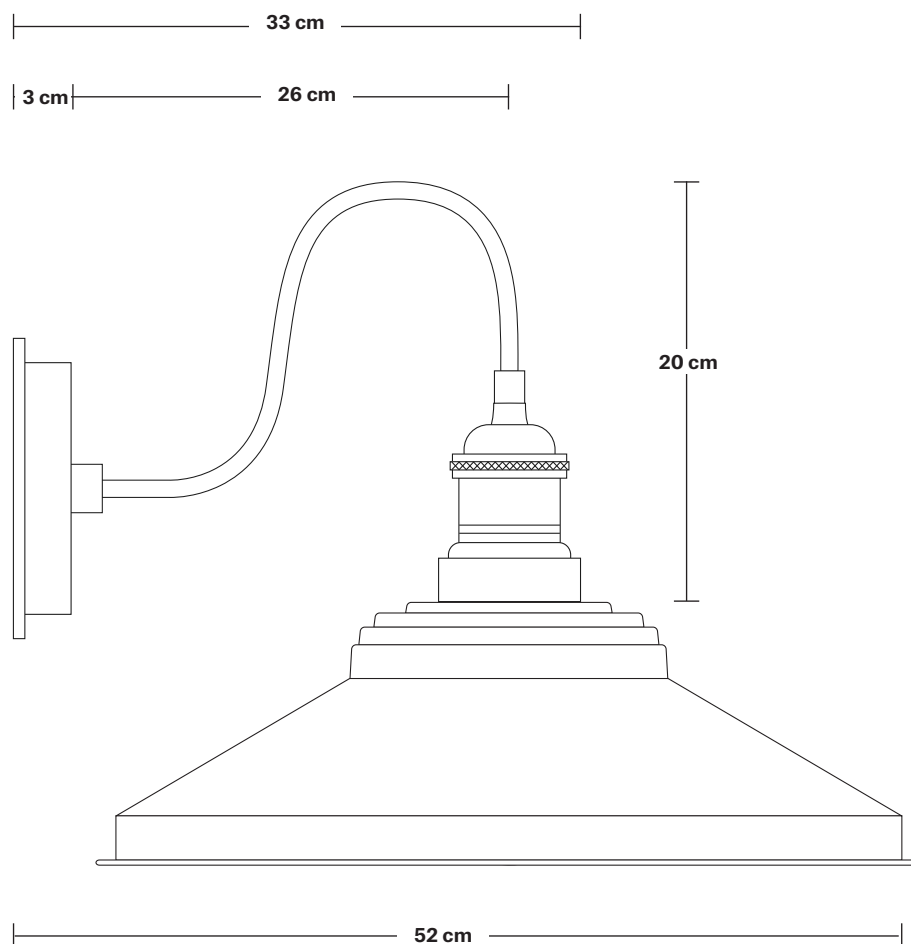
Wall Rose Diameter: 14 cm / 5.5"

Wall Rose Depth: 3 cm / 1.2"

Swan Neck Outdoor & Bathroom Giant Step Wall Light - 18 Inch

Product Code: SN-IP65-GSWL18

H: 36 cm x W: 46 cm x D: 52 cm



SPECIFICATIONS

We meet all UK and EU lighting and safety regulations.

Our products are hand finished to ensure an authentic vintage look and therefore they may vary slightly from those shown in the images.

Bulb required: Standard screw (E27) fitting, max 40W.

Shade weight: 1.4 kg | **Holder weight:** 1 kg

Maximum weight: 2.4 kg

INFORMATION

Finishes: Brass.

Ready to be installed, installation required.

Wall mount screws not included.

Holders available: Brass, Pewter.

Wall rose: Pewter.

IP rating: IP65 with glass (Tube, Globe).

DIMENSIONS

Shade Diameter: 46 cm / 18"

Shade Height (no holder): 15 cm / 6"

Holder Diameter: 31.5 cm / 12.4"

Holder Height: 20 cm / 7.8"

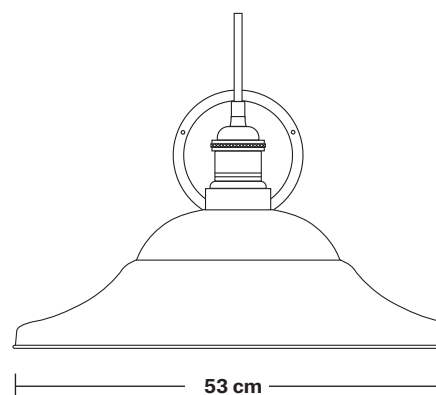
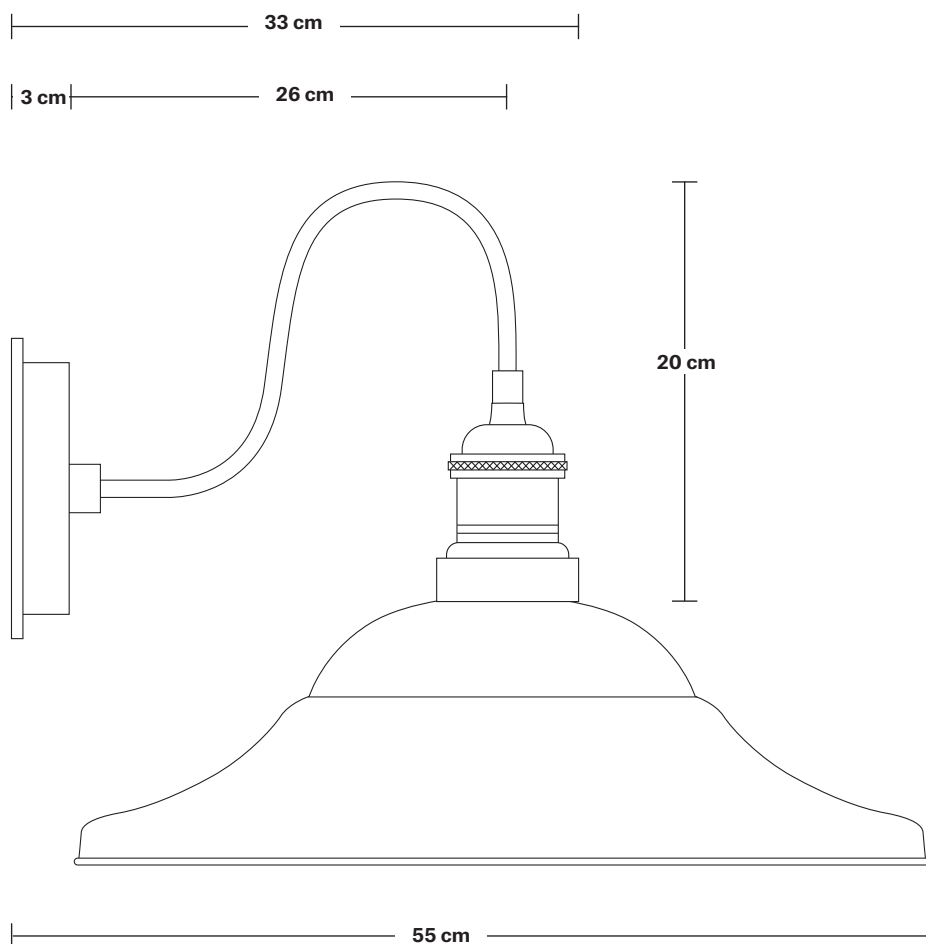
Wall Rose Diameter: 14 cm / 5.5"

Wall Rose Depth: 3 cm / 1.2"

Swan Neck Outdoor & Bathroom Giant Hat Wall Light - 21 Inch

Product Code: SN-IP65-GHWL21

H: 40 cm x W: 53 cm x D: 55 cm



SPECIFICATIONS

We meet all UK and EU lighting and safety regulations.

Our products are hand finished to ensure an authentic vintage look and therefore they may vary slightly from those shown in the images.

Bulb required: Standard screw (E27) fitting, max 40W.

Shade weight: 1.4 kg | **Holder weight:** 1 kg

Maximum weight: 2.4 kg

INFORMATION

Finishes: Brass.

Ready to be installed, installation required.

Wall mount screws not included.

Holders available: Brass, Pewter.

Wall rose: Pewter.

IP rating: IP65 with glass (Tube, Globe).

DIMENSIONS

Shade Diameter: 53 cm / 21"

Shade Height (no holder): 20 cm / 7.9"

Holder Diameter: 31.5 cm / 12.4"

Holder Height: 20 cm / 7.8"

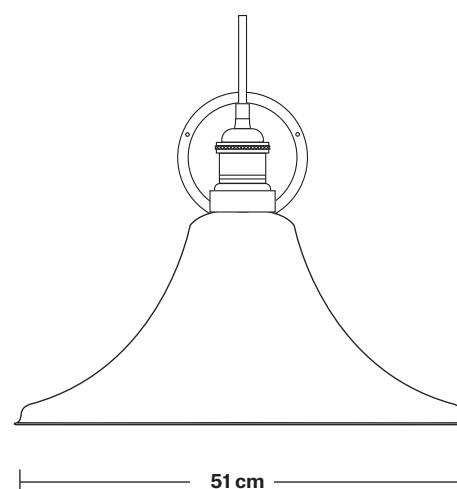
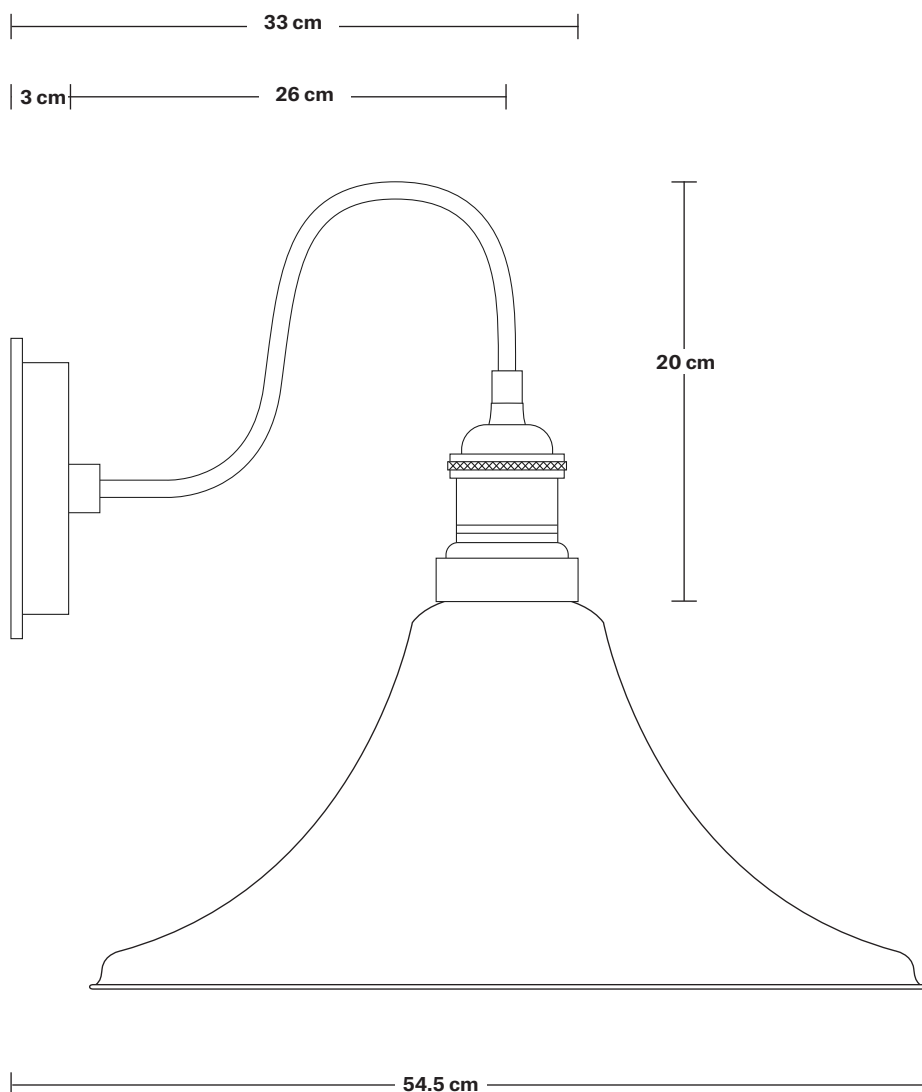
Wall Rose Diameter: 14 cm / 5.5"

Wall Rose Depth: 3 cm / 1.2"

Swan Neck Outdoor & Bathroom Giant Bell Wall Light - 20 Inch

Product Code: SN-IP65-GBLWL20

H: 50 cm x W: 51 cm x D: 54.5 cm



SPECIFICATIONS

We meet all UK and EU lighting and safety regulations.

Our products are hand finished to ensure an authentic vintage look and therefore they may vary slightly from those shown in the images.

Bulb required: Standard screw (E27) fitting, max 40W.

Shade weight: 1.8 kg | **Holder weight:** 1 kg

Maximum weight: 2.8 kg

INFORMATION

Finishes: Brass.

Ready to be installed, installation required.

Wall mount screws not included.

Holders available: Brass, Pewter.

Wall rose: Pewter.

IP rating: IP65 with glass (Tube, Globe).

DIMENSIONS

Shade Diameter: 51 cm / 20"

Shade Height (no holder): 30 cm / 11.8"

Holder Diameter: 31.5 cm / 12.4"

Holder Height: 20 cm / 7.8"

Wall Rose Diameter: 14 cm / 5.5"

Wall Rose Depth: 3 cm / 1.2"

Swivel

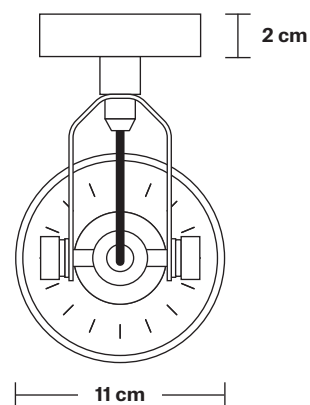
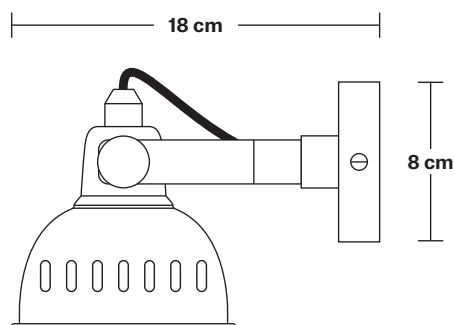
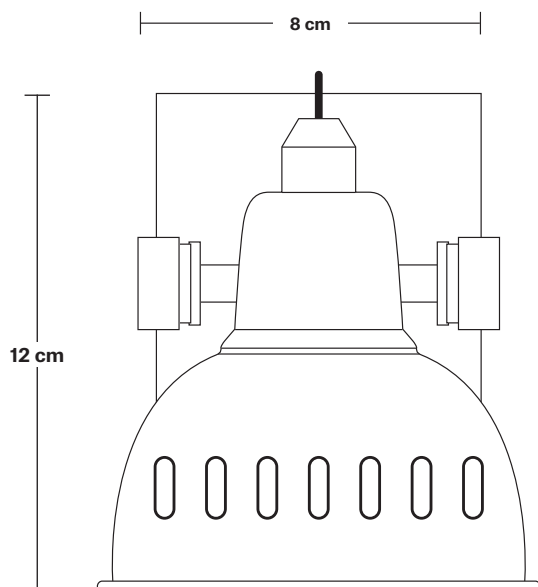
These fittings are completely pre-wired and only require installation of the bulb after connection to the mains wiring.

Single ²⁸⁶
Double ²⁸⁷

Swivel Spotlight Flush Mount/Wall Light - Single

Product Code: SW-SFM-S

H: 12 cm x W: 11 cm x D: 18 cm



SPECIFICATIONS

We meet all UK and EU lighting and safety regulations.

Our products are hand finished to ensure an authentic vintage look and therefore they may vary slightly from those shown in the images.

Bulb required: Standard screw (E27) fitting, max 40W.

Maximum weight: 0.63 kg

INFORMATION

Finishes: Pewter.

Ready to be installed, installation required.

Wall mount screws not included.

Wall Mount: Pewter.

DIMENSIONS

Shade Diameter: 11 cm / 4.3"

Shade Height (no holder): 12 cm / 4.7"

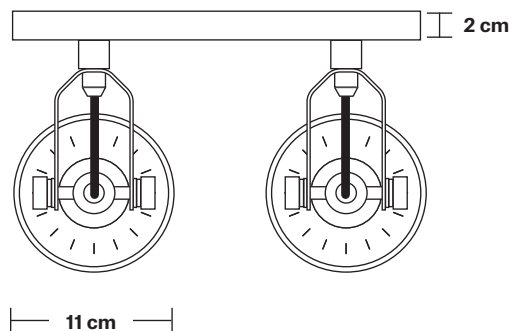
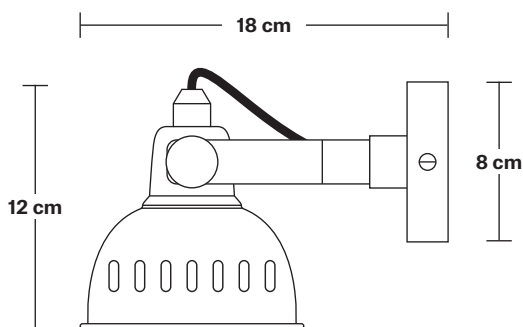
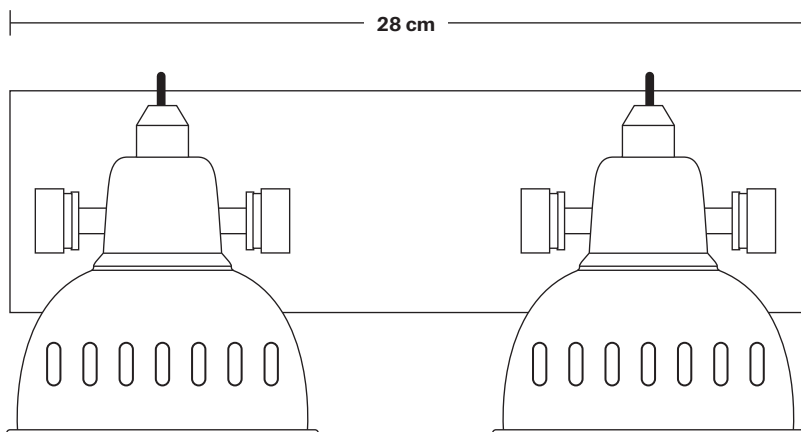
Ceiling Rose Height: 8 cm / 3.1"

Ceiling Rose Width: 8 cm / 3.1"

Swivel Spotlight Flush Mount/Wall Light - Double

Product Code: SW-SFM-D

H: 12 cm x W: 28 cm x D: 11 cm



SPECIFICATIONS

We meet all UK and EU lighting and safety regulations.

Our products are hand finished to ensure an authentic vintage look and therefore they may vary slightly from those shown in the images.

Bulb required: Standard screw (E27) fitting, max 40W.

Maximum weight: 1.3 kg

INFORMATION

Finishes: Pewter.

Ready to be installed, installation required.

Wall mount screws not included.

Wall Mount: Pewter.

DIMENSIONS

Shade Diameter: 11 cm / 4.3"

Shade Height (no holder): 20 cm / 7.9"

Ceiling Rose Height: 8 cm / 3.2"

Ceiling Rose Width: 28 cm / 11"

Harbour

These ceiling fittings are completely pre-wired and only require a small amount of assembly after connecting to the mains wiring:

- Once the wall holder is installed, install the bulb.

- After installing the bulb, affix the cage by twisting it on the wall holder.

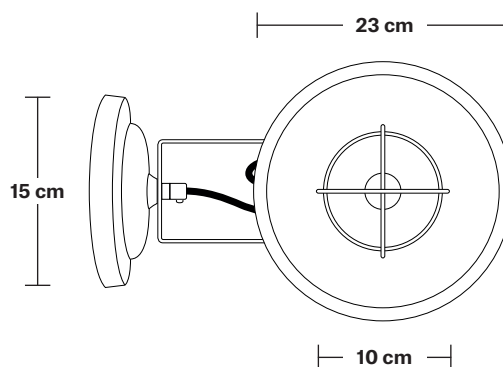
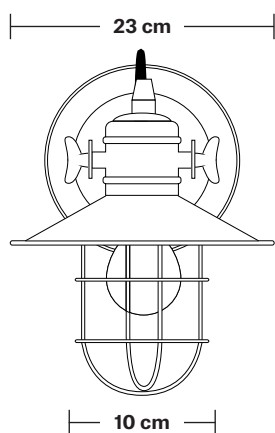
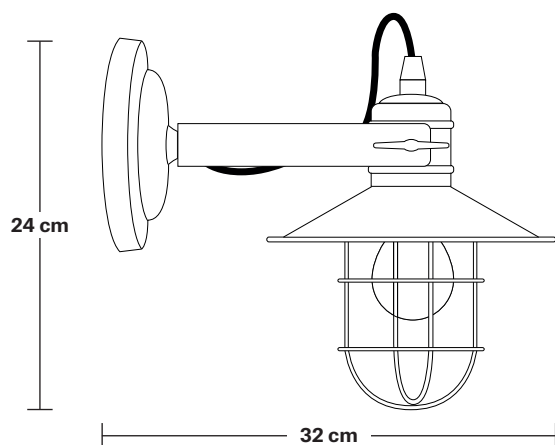
- Your Harbour Wall Sconce is now installed.

Harbour ²⁹⁰

Harbour Flush Mount/Wall Light - 6 Inch

Product Code: HR-WLFM6

H: 24 cm x W: 23 cm x D: 32 cm



SPECIFICATIONS

We meet all UK and EU lighting and safety regulations.

Our products are hand finished to ensure an authentic vintage look and therefore they may vary slightly from those shown in the images.

Bulb required: Standard screw (E27) fitting, max 40W.

Maximum weight: 1 kg

INFORMATION

Finishes: Pewter.

Ready to be installed, installation required.

Wall mount screws not included.

Wall Mount: Pewter.

DIMENSIONS

Shade Diameter: 23 cm / 9"

Shade Height (no holder): 24 cm / 9.5"

Wall Rose Diameter: 12 cm / 4.9"

Holder Diameter: 15 cm / 5.9"

Holder Height: 15 cm / 5.9"



Harbour

These ceiling fittings are completely pre-wired and only require a small amount of assembly after connecting to the mains wiring:

- Once the wall holder is installed, install the bulb.
- After installing the bulb screw in

the glass cover taking extra care not to screw too tightly and not using too much force.

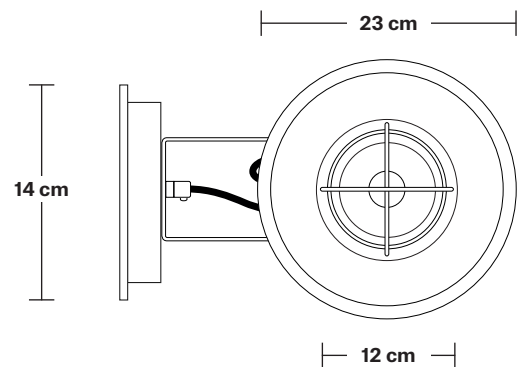
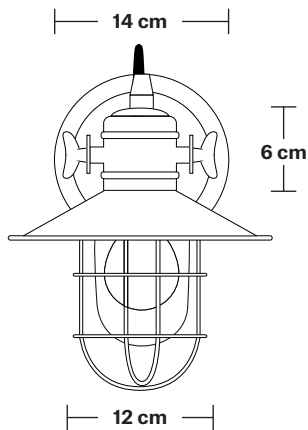
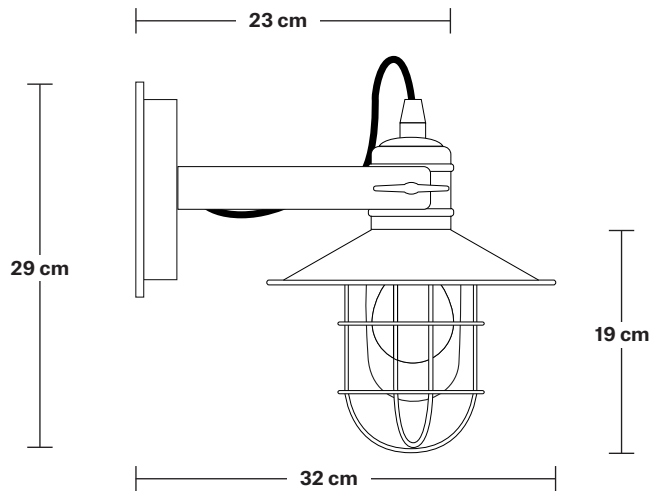
- Affix the cage by twisting it on to the wall holder.
- Once secure, your Wall Light is now installed.

Outdoor & Bathroom 294

Harbour Outdoor & Bathroom Flush Mount/Wall Light - 6 Inch

Product Code: HR-IP65-WLFM6-P

H: 29 cm x W: 23 cm x D: 32 cm



SPECIFICATIONS

We meet all UK and EU lighting and safety regulations.

Our products are hand finished to ensure an authentic vintage look and therefore they may vary slightly from those shown in the images.

Bulb required: Standard screw (E27) fitting, max 40W.

Maximum weight: 1.3 kg

INFORMATION

Finishes: Pewter.

Ready to be installed, installation required.

Wall mount screws not included.

Wall Mount: Pewter.

IP rating: IP65 with glass.

DIMENSIONS

Shade Diameter: 23 cm / 9"

Shade Height (no holder): 19 cm / 7.4"

Ceiling Rose Diameter: 14 cm / 5.5"

Ceiling Rose Height: 3 cm / 1.2"

Holder Diameter: 6 cm / 2.3"

Holder Height: 23 cm / 9"



Long Arm

These ceiling fittings are completely pre-wired and only require a small amount of assembly after connecting to the mains wiring:

- Once the wall holder is installed, unscrew the black ring.

- Hold the shade in place onto the holder.

- Once in place, begin to screw the black ring.

- Once secure, it will hold the shade to the holder, your is now installed.

Wall Holder 298

Dome 299

Cone 303

Flat 304

Step 305

Giant Step 307

Giant Hat 308

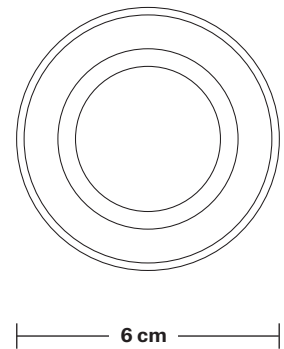
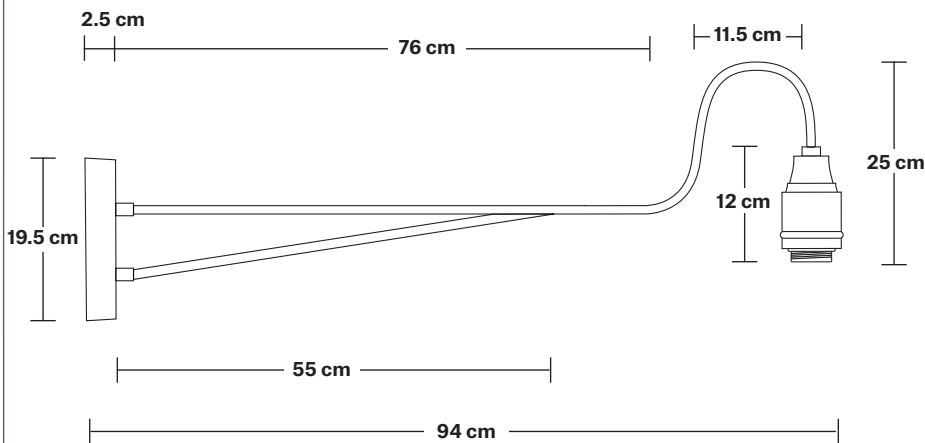
Giant Bell 309

Wire Cage 310

Long Arm Wall Holder

Product Code: LA-WL-P

H: 25 cm x W: 10 cm x D: 94 cm



SPECIFICATIONS

We meet all UK and EU lighting and safety regulations.

Our products are hand finished to ensure an authentic vintage look and therefore they may vary slightly from those shown in the images.

Bulb required: Standard screw (E27) fitting, max 40W.

Weight: 1.5 kg

INFORMATION

Finishes: Pewter.

Ready to be installed, installation required.

Wall mount screws not included.

Wall mount rose: Pewter.

DIMENSIONS

Holder Diameter: 94 cm / 37"

Holder Height: 25 cm / 9.8"

Holder Width: 6 cm / 2.3"

Wall Plate Height: 19.5 cm / 7.6"

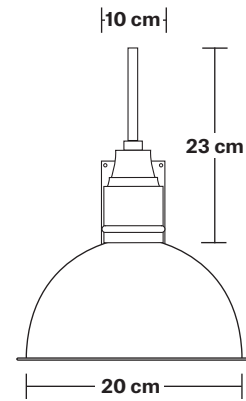
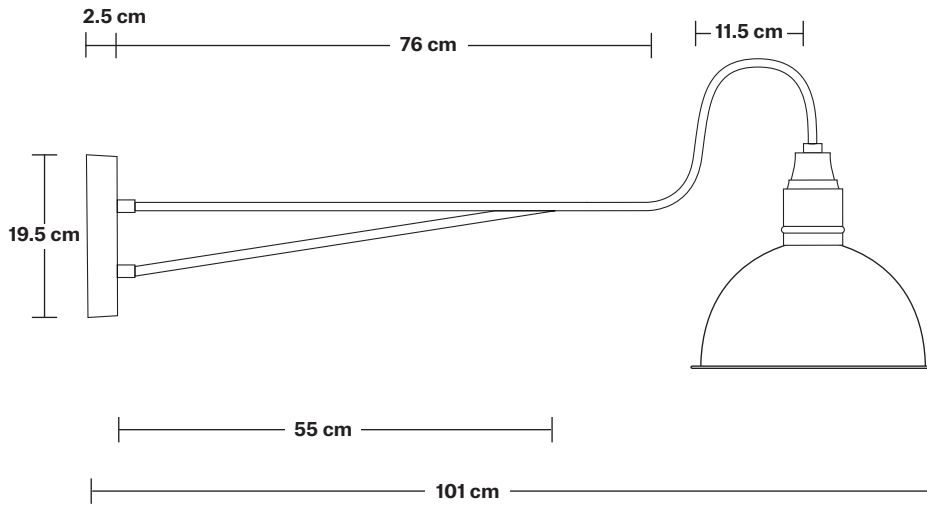
Wall Plate Width: 10 cm / 3.9"

Wall Plate Depth: 2.5 cm / 0.9"

Long Arm Dome Wall Light - 8 Inch

Product Code: LA-DWL8

H: 35 cm x W: 20 cm x D: 101 cm



SPECIFICATIONS

We meet all UK and EU lighting and safety regulations.

Our products are hand finished to ensure an authentic vintage look and therefore they may vary slightly from those shown in the images.

Bulb required: Standard screw (E27) fitting, max 40W.

Shade weight: 0.4 kg | **Holder weight:** 1.5 kg

Maximum weight: 1.9 kg

INFORMATION

Finishes: Brass, Pewter, Copper, Pewter & Copper, Pewter & Brass.

Ready to be installed, installation required.

Wall mount screws not included.

Wall mount rose: Pewter.

DIMENSIONS

Shade Diameter: 20 cm / 8"

Shade Height (no holder): 10 cm / 4"

Holder Diameter: 6 cm / 2.3"

Holder Height: 25 cm / 9.8"

Wall Plate Height: 19.5 cm / 7.6"

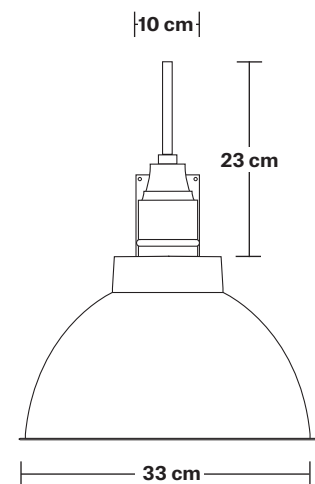
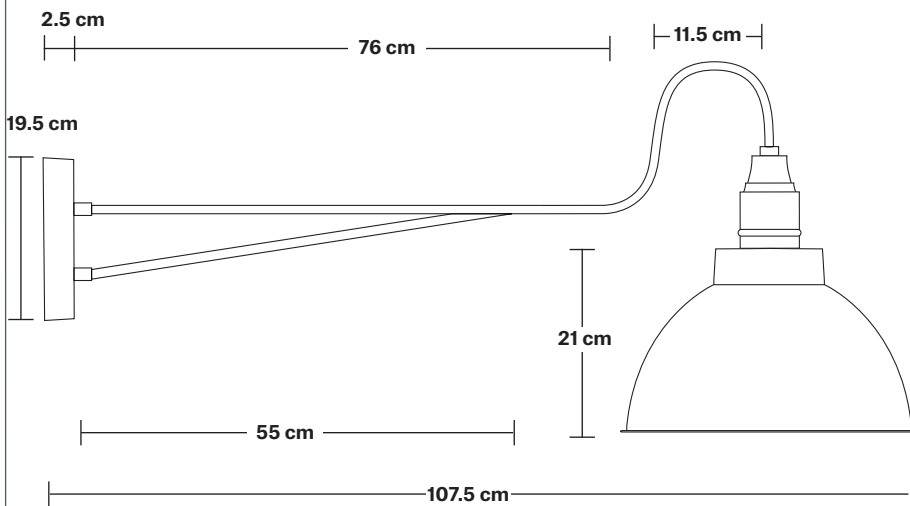
Wall Plate Width: 10 cm / 3.9"

Wall Plate Depth: 2.5 cm / 0.9"

Long Arm Dome Wall Light - 13 Inch

Product Code: LA-DWL13

H: 44 cm x W: 33 cm x D: 107.5 cm



SPECIFICATIONS

We meet all UK and EU lighting and safety regulations.

Our products are hand finished to ensure an authentic vintage look and therefore they may vary slightly from those shown in the images.

Bulb required: Standard screw (E27) fitting, max 40W.

Shade weight: 1.1 kg | **Holder weight:** 1.5 kg

Maximum weight: 2.6 kg

INFORMATION

Finishes: Brass, Pewter, Light Pewter, Copper, Copper & Pewter, Brass & Pewter.

Ready to be installed, installation required.

Wall mount screws not included.

Wall mount rose: Pewter.

DIMENSIONS

Shade Diameter: 33 cm / 13"

Shade Height (no holder): 21 cm / 8.3"

Holder Diameter: 6 cm / 2.3"

Holder Height: 25 cm / 9.8"

Wall Plate Height: 19.5 cm / 7.6"

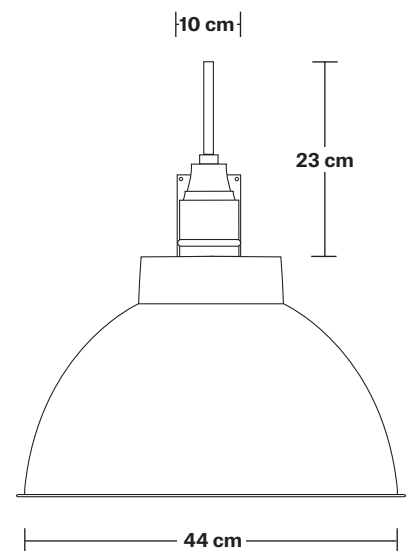
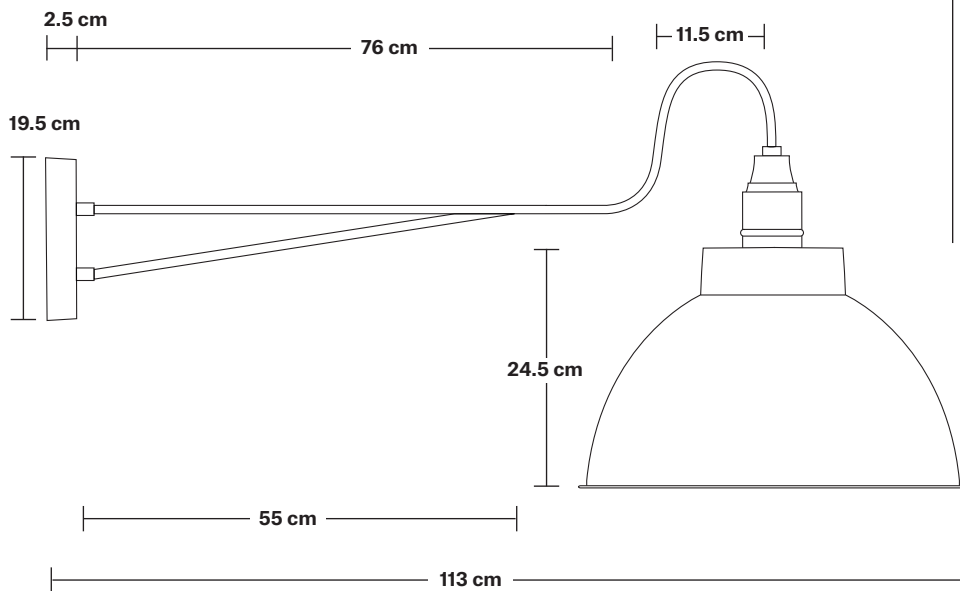
Wall Plate Width: 10 cm / 3.9"

Wall Plate Depth: 2.5 cm / 0.9"

Long Arm Dome Wall Light - 17 Inch

Product Code: LA-DWL17

H: 47.5 cm x W: 44 cm x D: 113 cm



SPECIFICATIONS

We meet all UK and EU lighting and safety regulations.

Our products are hand finished to ensure an authentic vintage look and therefore they may vary slightly from those shown in the images.

Bulb required: Standard screw (E27) fitting, max 40W.

Shade weight: 2.1 kg | **Holder weight:** 1.5 kg

Maximum weight: 3.6 kg

INFORMATION

Finishes: Brass, Pewter, Copper & Pewter, Brass & Pewter.

Ready to be installed, installation required.

Wall mount screws not included.

Wall mount rose: Pewter.

DIMENSIONS

Shade Diameter: 44 cm / 17.3"

Shade Height (no holder): 24.5 cm / 9.6"

Holder Diameter: 6 cm / 2.3"

Holder Height: 25 cm / 9.8"

Wall Plate Height: 19.5 cm / 7.6"

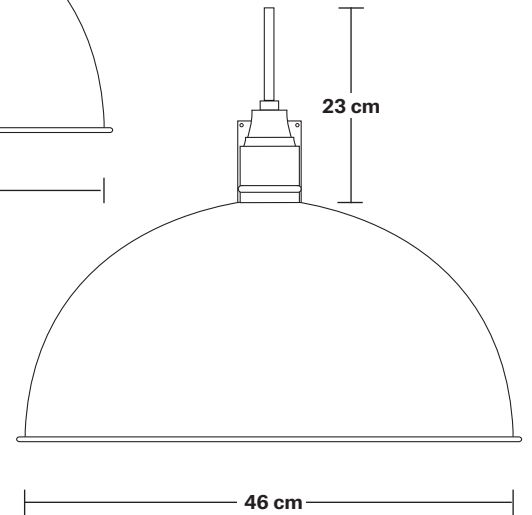
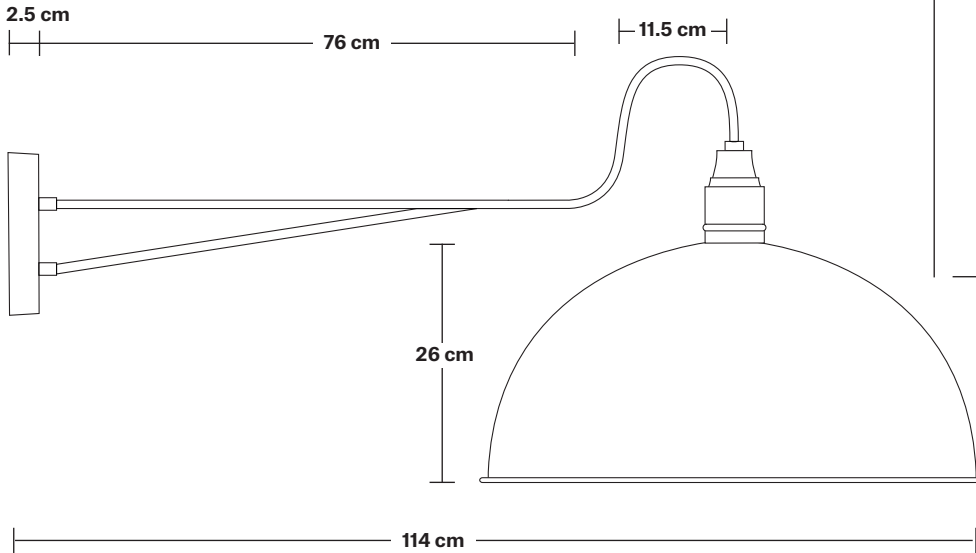
Wall Plate Width: 10 cm / 3.9"

Wall Plate Depth: 2.5 cm / 0.9"

Long Arm Dome Wall Light - 18 Inch

Product Code: LA-DWL18

H: 49 cm x W: 46 cm x D: 114 cm



SPECIFICATIONS

We meet all UK and EU lighting and safety regulations.

Our products are hand finished to ensure an authentic vintage look and therefore they may vary slightly from those shown in the images.

Bulb required: Standard screw (E27) fitting, max 40W.

Shade weight: 2.1 kg | **Holder weight:** 1.5 kg

Maximum weight: 3.6 kg

INFORMATION

Finishes: Pewter, Copper & Pewter.

Ready to be installed, installation required.

Wall mount screws not included.

Wall mount rose: Pewter.

DIMENSIONS

Shade Diameter: 46 cm / 18"

Shade Height (no holder): 26 cm / 10"

Holder Diameter: 6 cm / 2.3"

Holder Height: 25 cm / 9.8"

Wall Plate Height: 19.5 cm / 7.6"

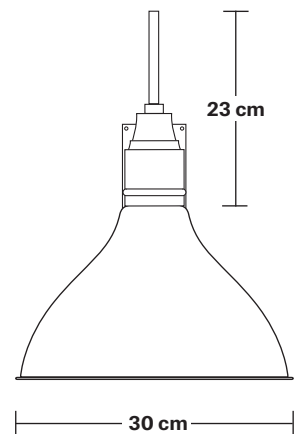
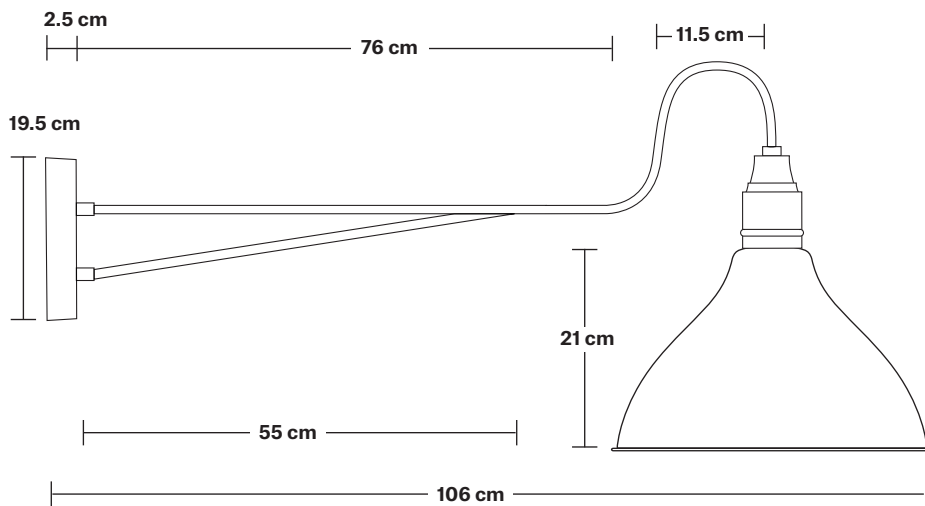
Wall Plate Width: 10 cm / 3.9"

Wall Plate Depth: 2.5 cm / 0.9"

Long Arm Cone Wall Light – 12 Inch

Product Code: LA-CWL12

H: 33 cm x W: 30 cm x D: 106 cm



SPECIFICATIONS

We meet all UK and EU lighting and safety regulations.

Our products are hand finished to ensure an authentic vintage look and therefore they may vary slightly from those shown in the images.

Bulb required: Standard screw (E27) fitting, max 40W.

Shade weight: 0.85 kg | **Holder weight:** 1.5 kg

Maximum weight: 2.35 kg

INFORMATION

Finishes: Pewter, Brass.

Ready to be installed, installation required.

Wall mount screws not included.

Wall mount rose: Pewter.

DIMENSIONS

Shade Diameter: 33 cm / 13"

Shade Height (no holder): 21 cm / 8.3"

Holder Diameter: 94 cm / 37"

Holder Height: 25 cm / 9.8"

Wall Plate Height: 19.5 cm / 7.6"

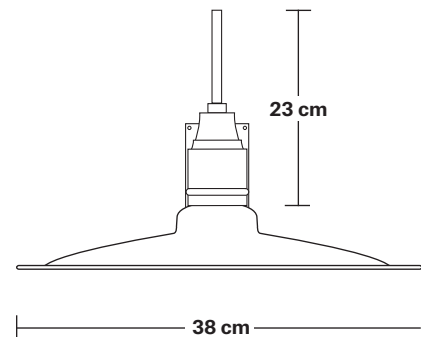
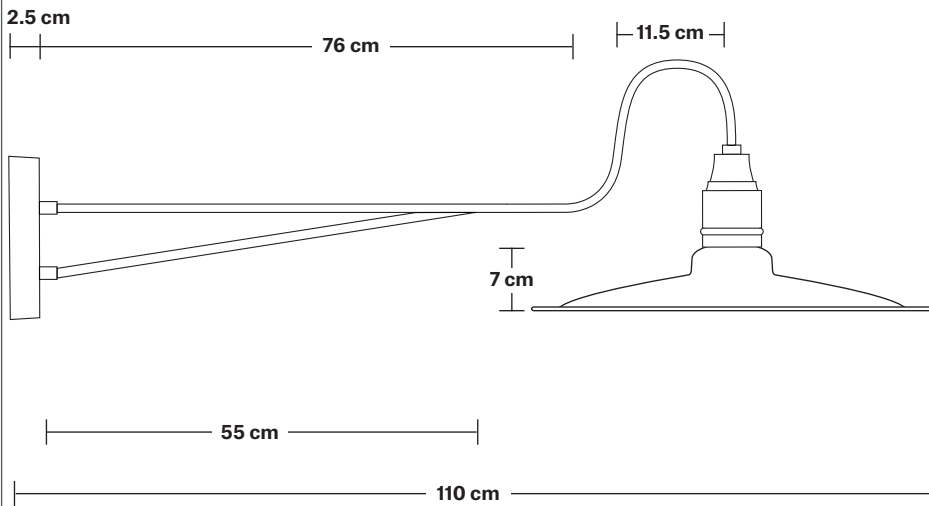
Wall Plate Width: 10 cm / 3.9"

Wall Plate Depth: 2.5 cm / 0.9"

Long Arm Flat Wall Light – 15 Inch

Product Code: LA-FWL15

H: 34 cm x W: 38 cm x D: 110 cm



SPECIFICATIONS

We meet all UK and EU lighting and safety regulations.

Our products are hand finished to ensure an authentic vintage look and therefore they may vary slightly from those shown in the images.

Bulb required: Standard screw (E27) fitting, max 40W.

Shade weight: 0.9 kg | **Holder weight:** 1.5 kg

Maximum weight: 2.4 kg

INFORMATION

Finishes: Pewter, Brass.

Ready to be installed, installation required.

Wall mount screws not included.

Wall mount rose: Pewter.

DIMENSIONS

Shade Diameter: 38 cm / 15"

Shade Height (no holder): 7 cm / 2.8"

Holder Diameter: 94 cm / 37"

Holder Height: 25 cm / 9.8"

Wall Plate Height: 19.5 cm / 7.6"

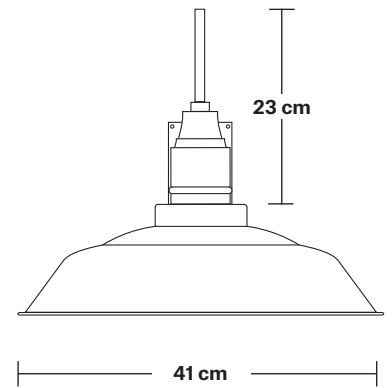
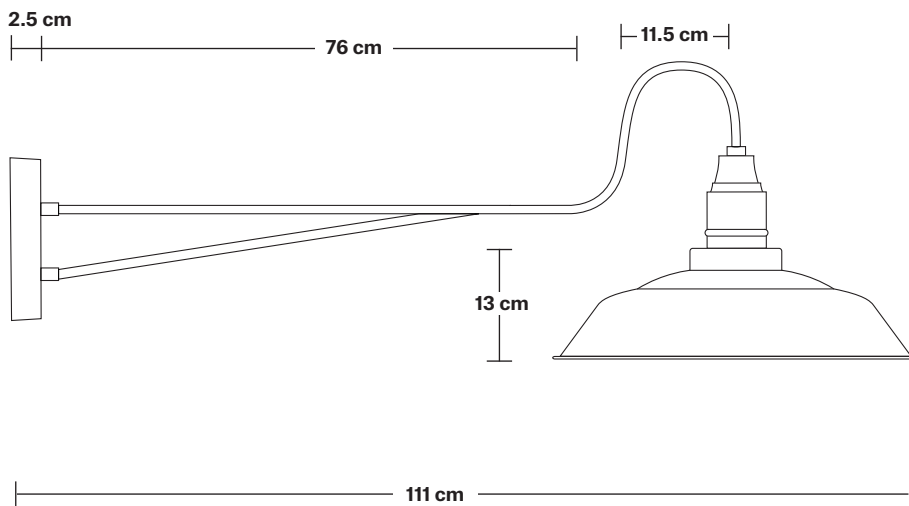
Wall Plate Width: 10 cm / 3.9"

Wall Plate Depth: 2.5 cm / 0.9"

Long Arm Step Wall Light - 16 Inch

Product Code: LA-SWL16

H: 44 cm x W: 41 cm x D: 111 cm



SPECIFICATIONS

We meet all UK and EU lighting and safety regulations.

Our products are hand finished to ensure an authentic vintage look and therefore they may vary slightly from those shown in the images.

Bulb required: Standard screw (E27) fitting, max 40W.

Shade weight: 1.2 kg | **Holder weight:** 1.5 kg

Max weight: 3.1 kg

INFORMATION

Finishes: Brass, Light Pewter, Pewter.

Ready to be installed, installation required.

Wall mount screws not included.

Wall mount rose: Pewter.

DIMENSIONS

Shade Diameter: 41 cm / 16"

Shade Height (no holder): 13 cm / 5.1"

Holder Diameter: 6 cm / 2.3"

Holder Height: 25 cm / 9.8"

Wall Plate Height: 19.5 cm / 7.6"

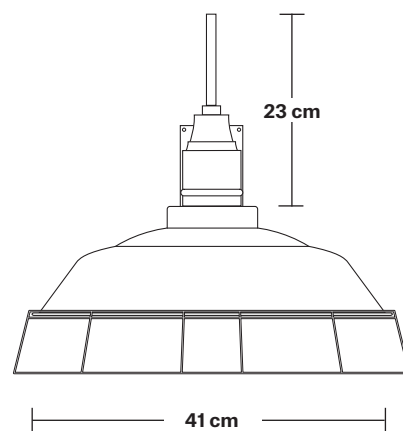
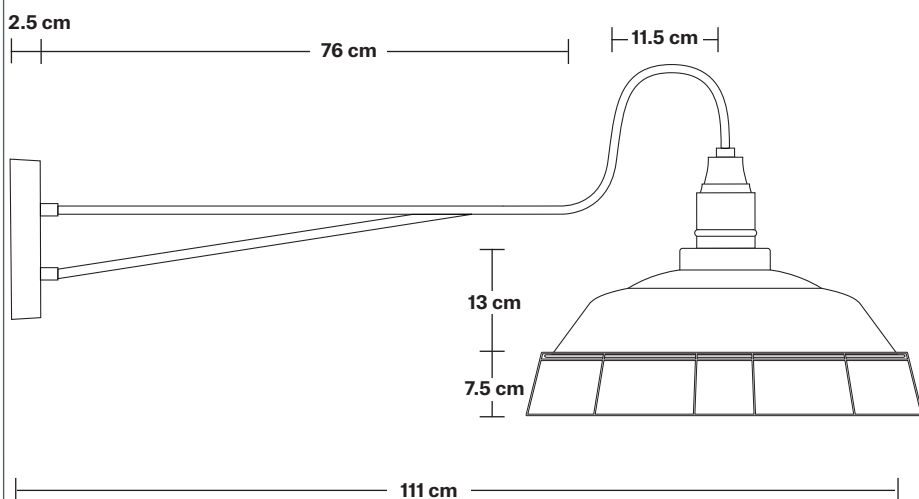
Wall Plate Width: 10 cm / 3.9"

Wall Plate Depth: 2.5 cm / 0.9"

Long Arm Step Wall Light - 16 Inch - With Cage

Product Code: LA-SWL16

H: 44 cm x W: 41 cm x D: 111 cm



SPECIFICATIONS

We meet all UK and EU lighting and safety regulations.

Our products are hand finished to ensure an authentic vintage look and therefore they may vary slightly from those shown in the images.

Bulb required: Standard screw (E27) fitting, max 40W.

Shade weight: 1.2 kg | **Holder weight:** 1.5 kg

Cage weight: 0.4 kg | **Max weight:** 3.1 kg

INFORMATION

Finishes: Brass, Light Pewter, Pewter.

Ready to be installed, installation required.

Wall mount screws not included.

Wall mount rose: Pewter.

DIMENSIONS

Shade Diameter: 41 cm / 16"

Shade Height (no holder): 13 cm / 5.1"

Holder Diameter: 6 cm / 2.3"

Holder Height: 25 cm / 9.8"

Wall Plate Height: 19.5 cm / 7.6"

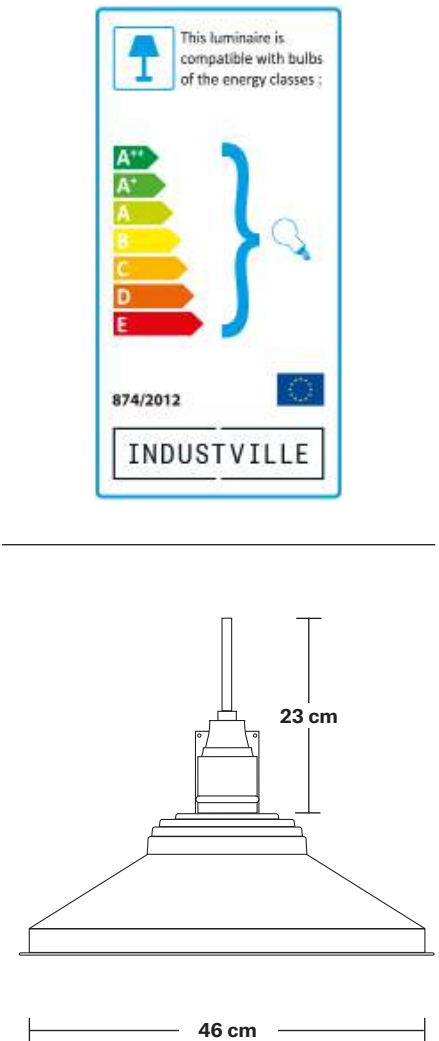
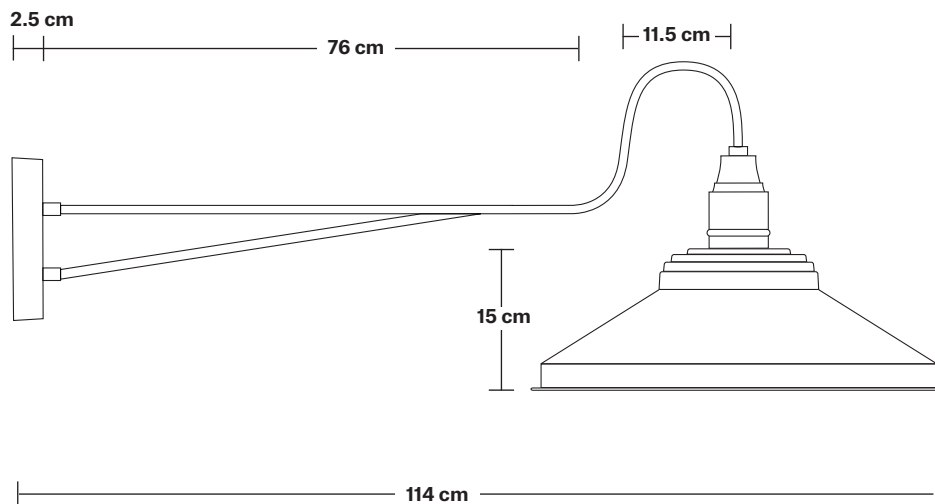
Wall Plate Width: 10 cm / 3.9"

Wall Plate Depth: 2.5 cm / 0.9"

Long Arm Giant Step Wall Light - 18 Inch

Product Code: LA-GSWL18

H: 38 cm x W: 46 cm x D: 114 cm

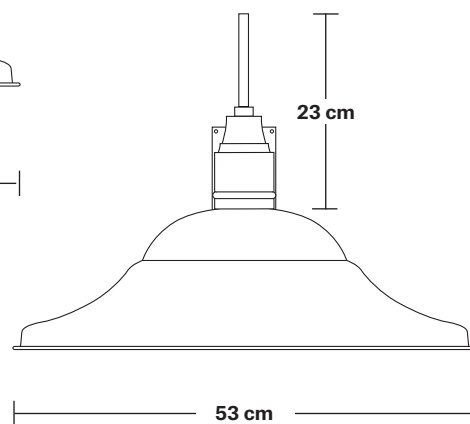
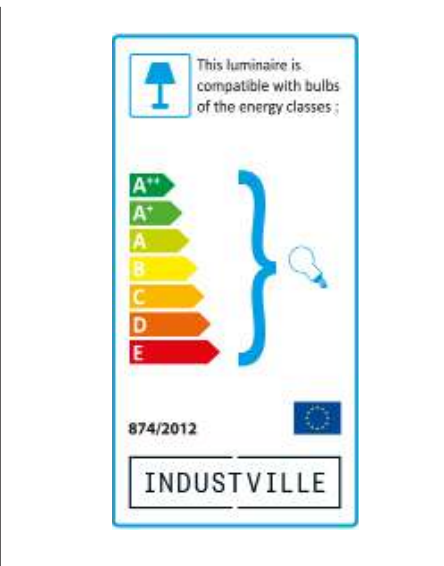
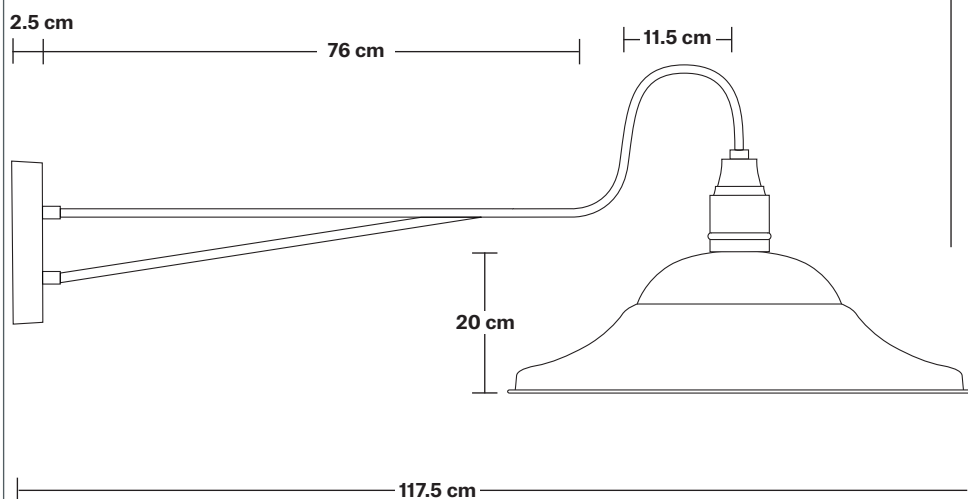


SPECIFICATIONS	INFORMATION	DIMENSIONS
<p>We meet all UK and EU lighting and safety regulations.</p> <p>Our products are hand finished to ensure an authentic vintage look and therefore they may vary slightly from those shown in the images.</p> <p>Bulb required: Standard screw (E27) fitting, max 40W.</p> <p>Shade weight: 1.4 kg Holder weight: 1.5 kg</p> <p>Max weight: 2.9 kg</p>	<p>Finishes: Brass, Pewter.</p> <p>Ready to be installed, installation required.</p> <p>Wall mount screws not included.</p> <p>Wall mount rose: Pewter.</p>	<p>Shade Diameter: 46 cm / 18"</p> <p>Shade Height (no holder): 15 cm / 6"</p> <p>Holder Diameter: 6 cm / 2.3"</p> <p>Holder Height: 25 cm / 9.8"</p> <p>Wall Plate Height: 19.5 cm / 7.6"</p> <p>Wall Plate Width: 10 cm / 3.9"</p> <p>Wall Plate Depth: 2.5 cm / 0.9"</p>

Long Arm Giant Hat Wall Light - 21 Inch

Product Code: LA-GHWL21

H: 43 cm x W: 53 cm x D: 117.5 cm



SPECIFICATIONS

We meet all UK and EU lighting and safety regulations.

Our products are hand finished to ensure an authentic vintage look and therefore they may vary slightly from those shown in the images.

Bulb required: Standard screw (E27) fitting, max 40W.

Shade weight: 1.8 kg | **Holder weight:** 1.5 kg

Max weight: 3.3 kg

INFORMATION

Finishes: Brass, Pewter.

Ready to be installed, installation required.

Wall mount screws not included.

Wall mount rose: Pewter.

DIMENSIONS

Shade Diameter: 53 cm / 21"

Shade Height (no holder): 20 cm / 7.9"

Holder Diameter: 6 cm / 2.3"

Holder Height: 25 cm / 9.8"

Wall Plate Height: 19.5 cm / 7.6"

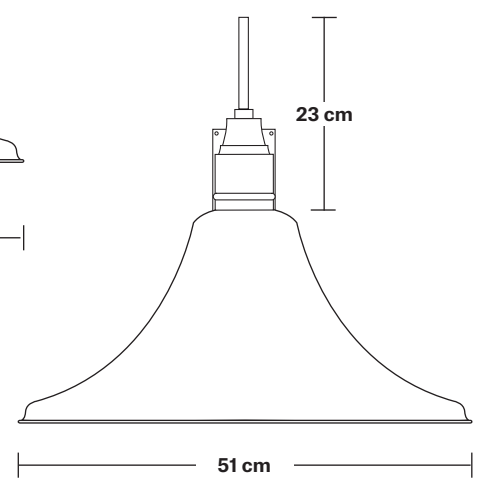
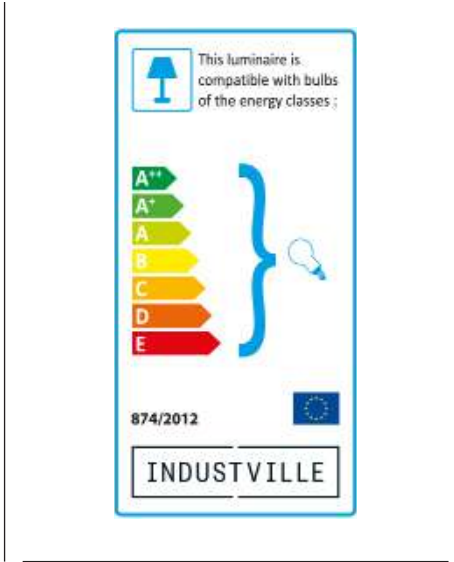
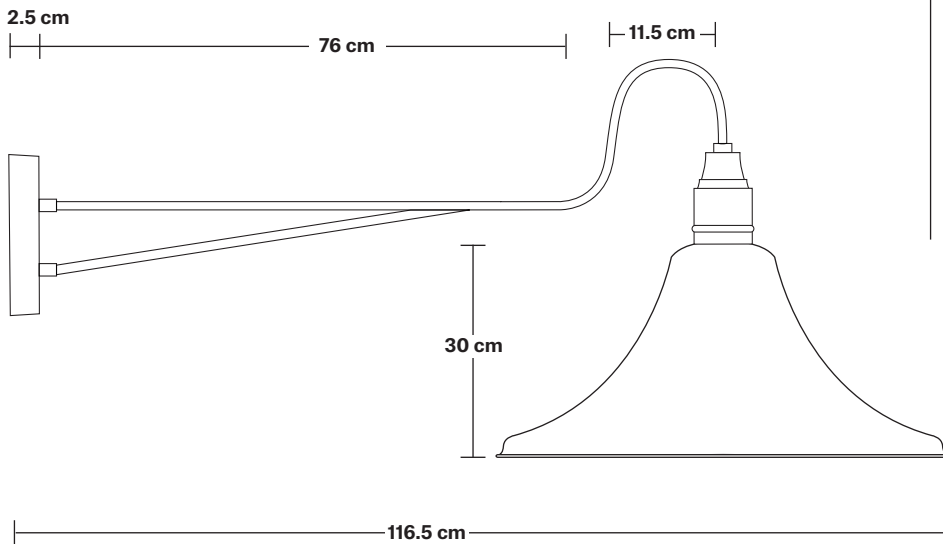
Wall Plate Width: 10 cm / 3.9"

Wall Plate Depth: 2.5 cm / 0.9"

Long Arm Giant Bell Wall Light - 20 Inch

Product Code: LA-GBLWL20

H: 53 cm x W: 51 cm x D: 116.5 cm

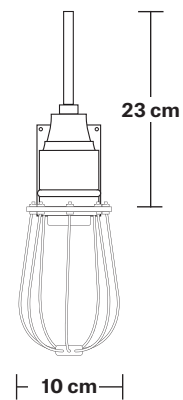
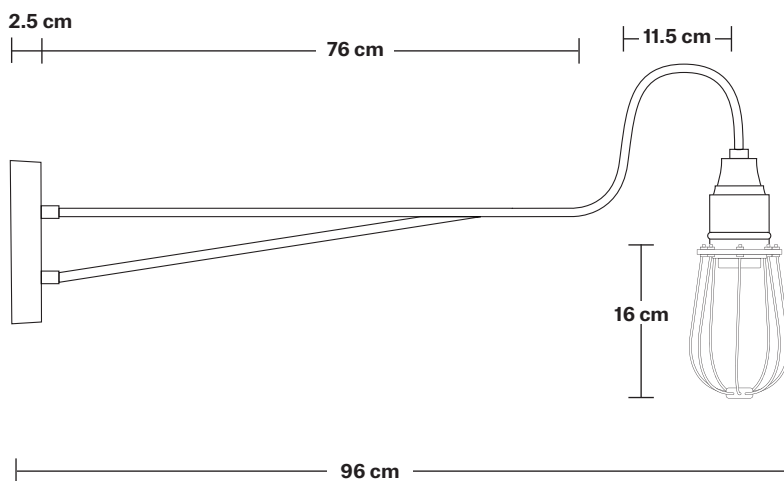


SPECIFICATIONS	INFORMATION	DIMENSIONS
We meet all UK and EU lighting and safety regulations.	Finishes: Brass, Pewter.	Shade Diameter: 51 cm / 20"
Our products are hand finished to ensure an authentic vintage look and therefore they may vary slightly from those shown in the images.	Ready to be installed, installation required.	Shade Height (no holder): 30 cm / 11.8"
Bulb required: Standard screw (E27) fitting, max 40W.	Wall mount screws not included.	Holder Diameter: 6 cm / 2.3"
Shade weight: 1.8 kg Holder weight: 1.5 kg	Wall mount rose: Pewter.	Holder Height: 25 cm / 9.8"
Max weight: 3.3 kg		Wall Plate Height: 19.5 cm / 7.6"
		Wall Plate Width: 10 cm / 3.9"
		Wall Plate Depth: 2.5 cm / 0.9"

Long Arm Wire Cage Wall Light - 4 Inch

Product Code: LA-WCWL4

H: 39 cm x W: 10 cm x D: 96 cm



SPECIFICATIONS

We meet all UK and EU lighting and safety regulations.

Our products are hand finished to ensure an authentic vintage look and therefore they may vary slightly from those shown in the images.

Bulb required: Standard screw (E27) fitting, max 40W.

Shade weight: 0.2 kg | **Holder weight:** 1.5 kg

Max weight: 1.7 kg

INFORMATION

Finishes: Brass, Pewter.

Ready to be installed, installation required.

Wall mount screws not included.

Wall mount rose: Pewter.

DIMENSIONS

Shade Diameter: 10 cm / 4"

Shade Height (no holder): 16 cm / 6.3"

Holder Diameter: 6 cm / 2.3"

Holder Height: 25 cm / 9.8"

Wall Plate Height: 19.5 cm / 7.6"

Wall Plate Width: 10 cm / 3.9"

Wall Plate Depth: 2.5 cm / 0.9"



Table Lamps

The lamp comes fully assembled with a portable plug in chordset.

- Simply place the table lamp on a flat surface like a table.

- Always ensure the light fitting is switched off from the mains before installing and changing the bulb. Once switched off, thread an E27

light bulb on to the bulb holder.

- The table lamp is adjustable only at the points highlighted (A) on the following spec sheet.

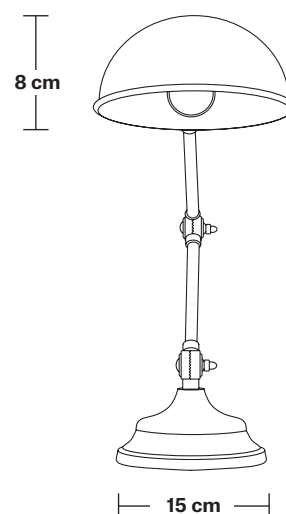
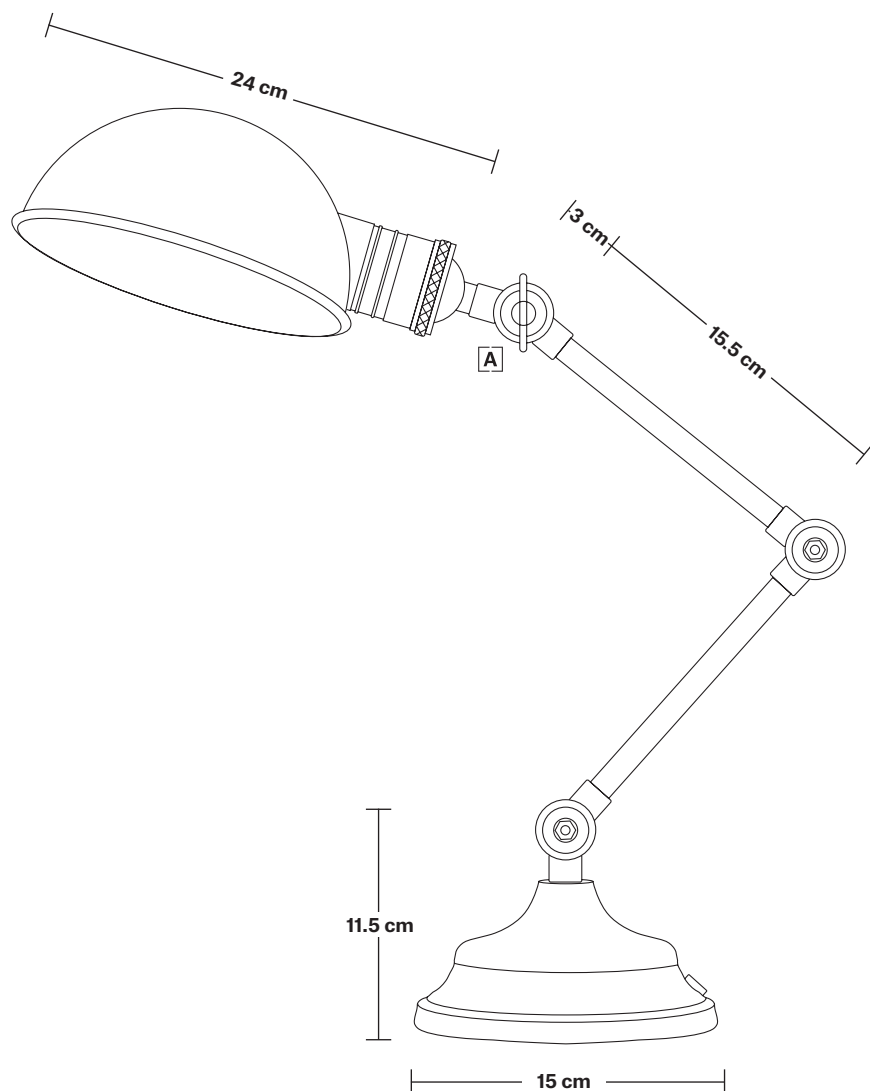
- Connect the plug in chordset emerging out from the table lamp into the mains connection.

Pharmacy Dome ³¹⁴

Brooklyn Pharmacy Adjustable Dome Table Lamp - 7 Inch - Gunmetal

Product Code: BR-PA-DTL7-GN

H: 60 cm x W: 15 cm x D: 17 cm



SPECIFICATIONS

We meet all UK and EU lighting and safety regulations.

Our products are hand finished to ensure an authentic vintage look and therefore they may vary slightly from those shown in the images.

Bulb required: Standard screw (E27) fitting, max 40W.

Maximum weight: 2.5 kg

INFORMATION

Finishes: Gunmetal.

Cabel: 1.8m Black Twisted Fabric Flex with the ON/OFF switch.

Plug: UK AC power plug BS1362.

Adjustable: in point A

DIMENSIONS

Shade Diameter: 17 cm / 6.7"

Shade Height: 8 cm / 3.1"

Arm Depth: 2 cm / 0.7"

Arm Height: 28 cm / 11"

Base Diameter: 15 cm / 6"

Base Height: 7.5 cm / 2.9"

Overall Height: 60 cm / 23"



Credits

FRONT COVER

Project Featured Photographed by James French Photography

PAGE 6

Project Featured Photographed by James French Photography

PAGE 8

Project Featured Naomi Page @barnconversionblog. Photographed by Andy Haslam Photography

PAGE 10

Project Featured Joseph Cheaney & Sons. Photographed by Andy Haslam Photography

PAGE 14

Project Featured Photographed by Andy Haslam Photography

PAGE 45

Project Featured Humble Gape. Photographed by Andy Haslam Photography

PAGE 81

Project Featured Grove Beer Tap & Grill. Designed by Snook Architects. Photographed by Andy Haslam Photography

PAGE 89

Project Featured Moose, London. Photographed by Andy Haslam Photography

PAGE 92

Project Featured Caffè Nero. Photographed by Andy Haslam Photography

PAGE 97

Project Featured Photographed by Andy Haslam Photography

PAGE 103

Project Featured Designed by Snook Architects. Photographed by Andy Haslam Photography

PAGE 109

Project Featured Frog, Hoxton

PAGE 113

Project Featured Photographed by Andy Haslam Photography

PAGE 129

Project Featured Watchfinder & Co. Photographed by Andy Haslam Photography

PAGE 135

Project Featured Photographed by Andy Haslam Photography

PAGE 157

Project Featured Photographed by Andy Haslam Photography

PAGE 171

Project Featured Photographed by Andy Haslam Photography

PAGE 175

Project Featured Photographed by Andy Haslam Photography

PAGE 179

Project Featured Photographed by Andy Haslam Photography

PAGE 183

Project Featured Photographed by Andy Haslam Photography

PAGE 191

Project Featured Photographed by Andy Haslam Photography

@barnconversionblog. Photographed by Andy
Haslam Photography

PAGE 195

Project Featured Industville

PAGE 217

Project Featured Plough, Sewardstone

PAGE 199

Project Featured Wright Brothers.

Photographed by Andy Haslam Photography

PAGE 225

Project Featured Photographed by Andy
Haslam Photography

PAGE 241

Project Featured Photographed by Andy
Haslam Photography

PAGE 247

Project Featured Photographed by Andy
Haslam Photography

PAGE 289

Project Featured Photographed by Andy
Haslam Photography

PAGE 293

Project Featured Photographed by Andy
Haslam Photography

PAGE 309

Project Featured Photographed by Andy
Haslam Photography

PAGE 313

Project Featured Naomi Page

@barnconversionblog. Photographed by Andy
Haslam Photography

PAGE 316 & 317

Project Featured Naomi Page





Industville Ltd
218D, 1 Swan Road, London, SE18 5TT

sales@industville.co.uk
+44 (0) 20 7971 7871
www.industville.co.uk



INDUSTVILLE