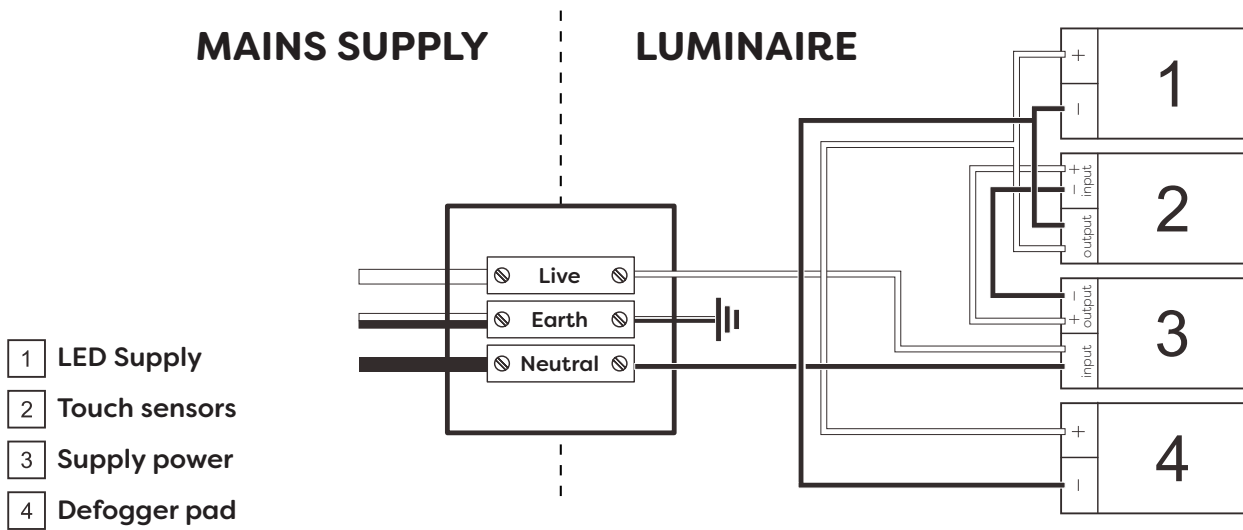


# Technical Details

## Schematic Diagram

### HUXLOZMB

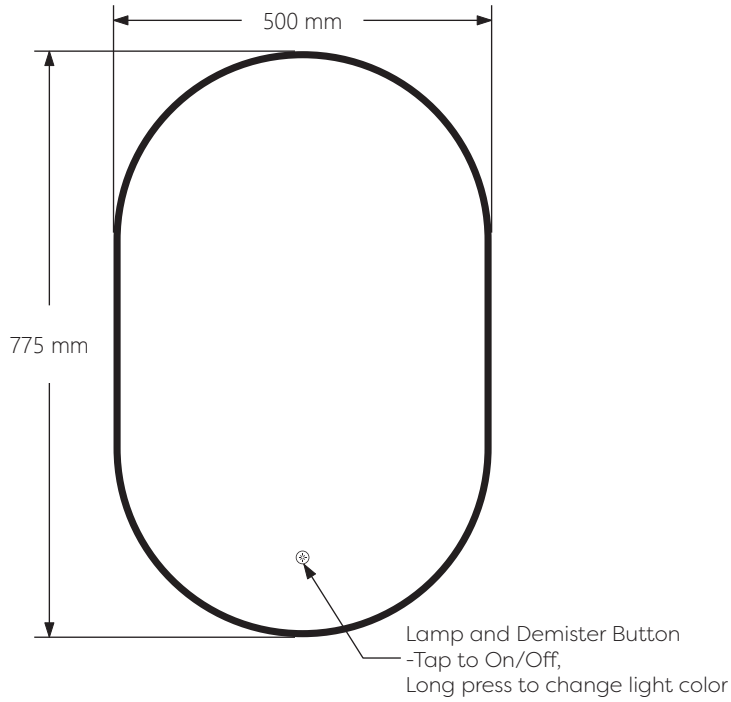


Mirror Weight (kg)	4.30kg
Mirror+Box Weight (kg)	6.40kg
Light Source	LED
Light source average span	50K HOURS
Total Rated Wattage (W)	46W
Lumens (Lm)	2544
Kelvins (K)	3000-6000K

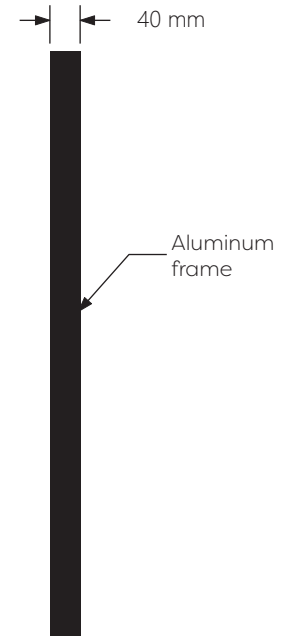
<b>FEATURES</b>
TOUCH SWITCH
DEMISTER
COLOR CHANGE
BLACK FRAME

# Technical Details

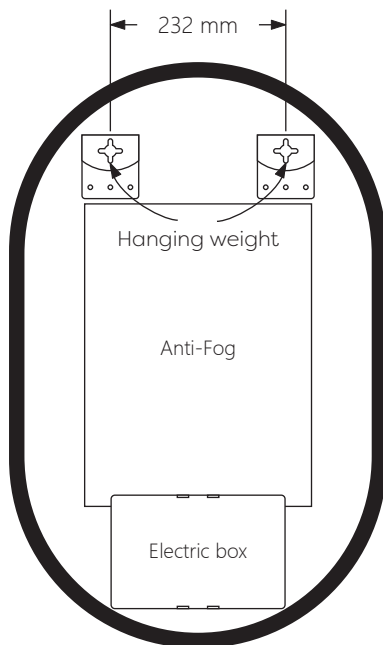
## Data Reference



Front view



Side view



Back view



Bottom view