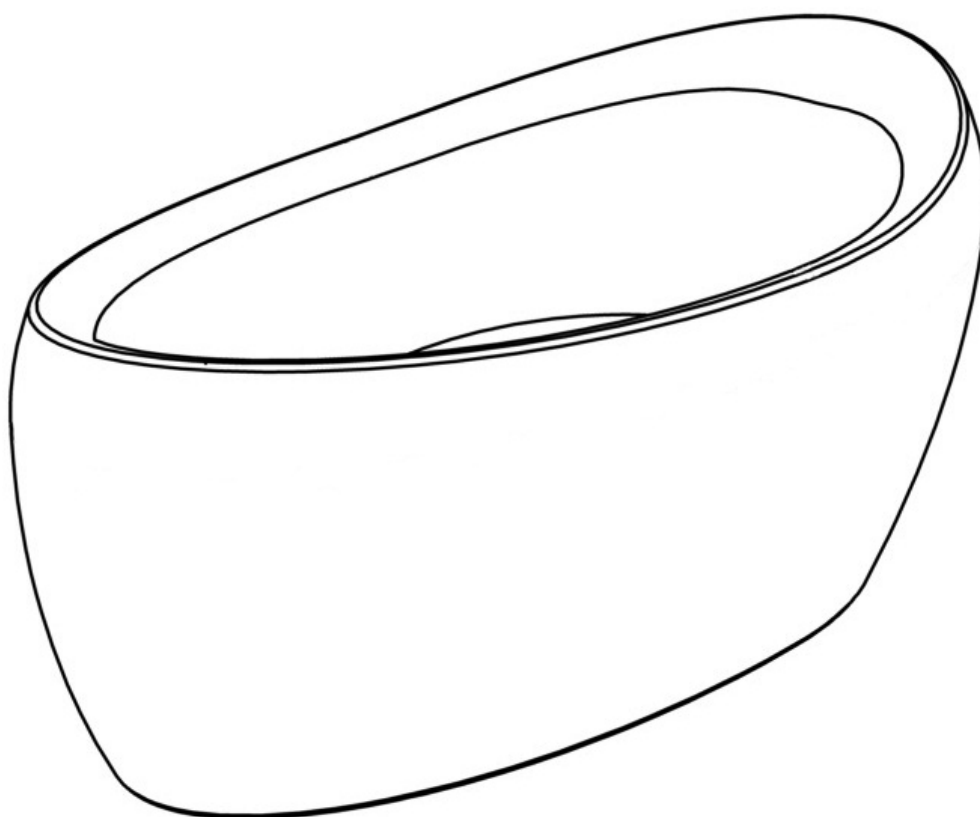


Installation Manual

EMBRACE INSTRUCTION TEMPLATE



For formatting comments only

Installation Manual

PLEASE NOTE:

THIS PRODUCT REQUIRES A MINIMUM OF 2 PERSONS TO LIFT AND MANOEUVRE INTO POSITION.

The installation of freestanding baths will necessitate the sinking of pipework into the floor. Please plan for this prior to installation of the product. This product must be installed on a level floor able to take weight of 217kg.

All screws and fittings for general installation are provided but specialist fixings for wall and floors may be required.

Please ensure that the bath is fully checked for damage or defects prior to installation.

Once removed from the box carefully unwrap the protective packaging from the bath for inspection purposes and re-use for protection whilst fitting. Dispose of all packaging in an environmentally friendly manner.

TO THE INSTALLER:

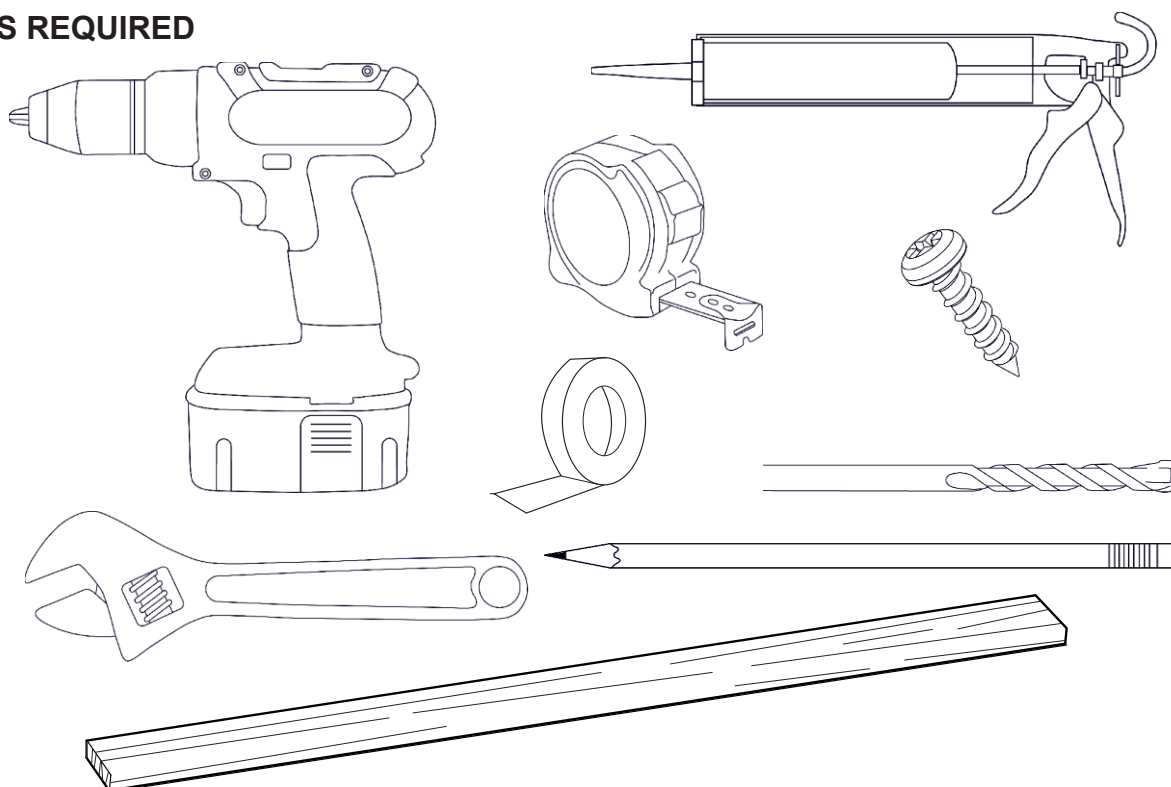
Please read and follow this instruction carefully.

CAUTION:

Care should be taken when drilling walls and floors to avoid any sunken wires or pipes. Correct eye and hand safety wear should be worn while cutting or drilling. Care should be taken to not drill or screw into or near the bath surface.

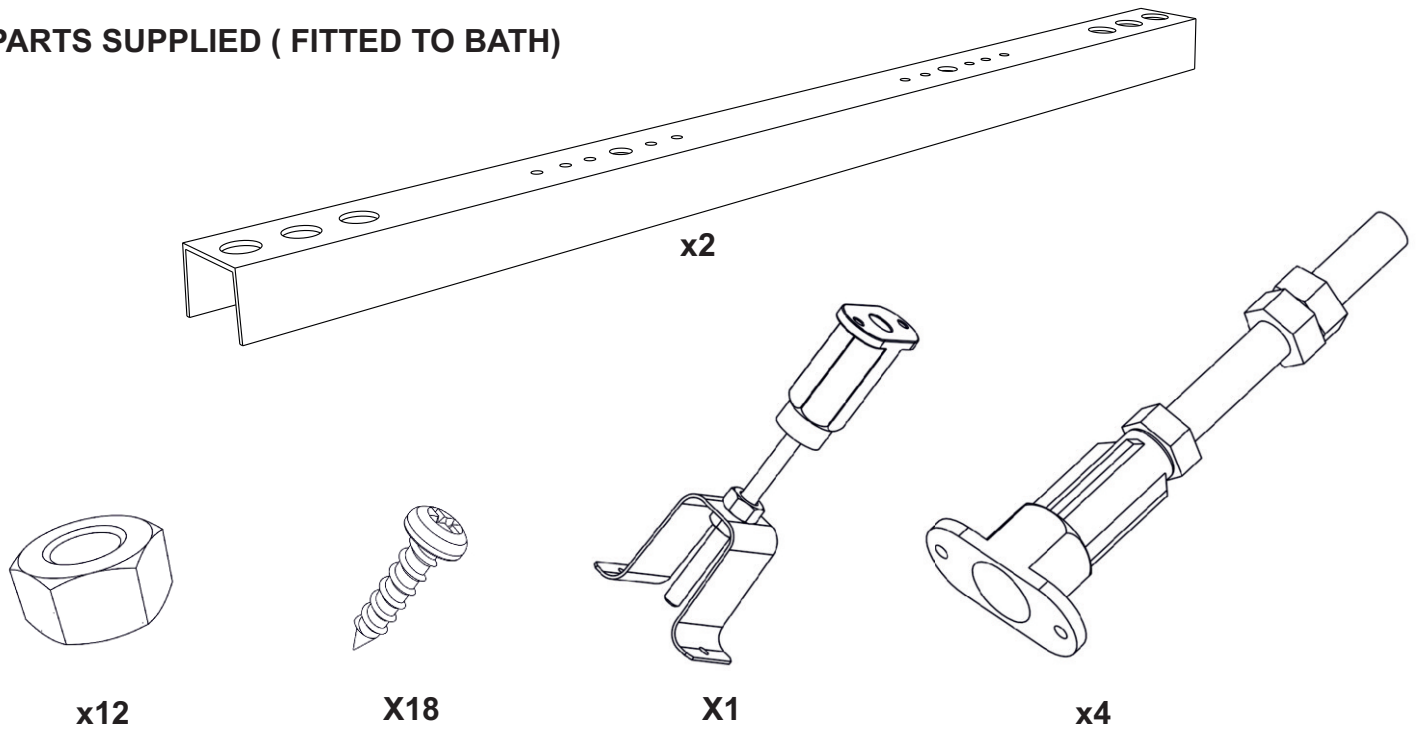
IMPORTANT: PLEASE LEAVE THIS INSTRUCTION MANUAL WITH THE END USER ONCE THE BATH HAS BEEN INSTALLED.

TOOLS REQUIRED

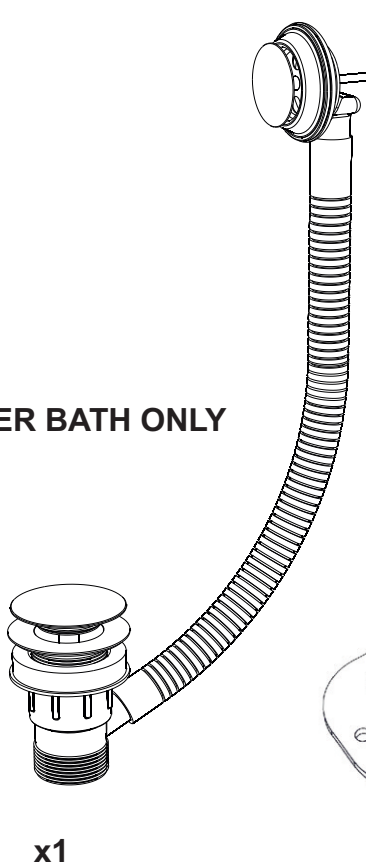


Installation Manual

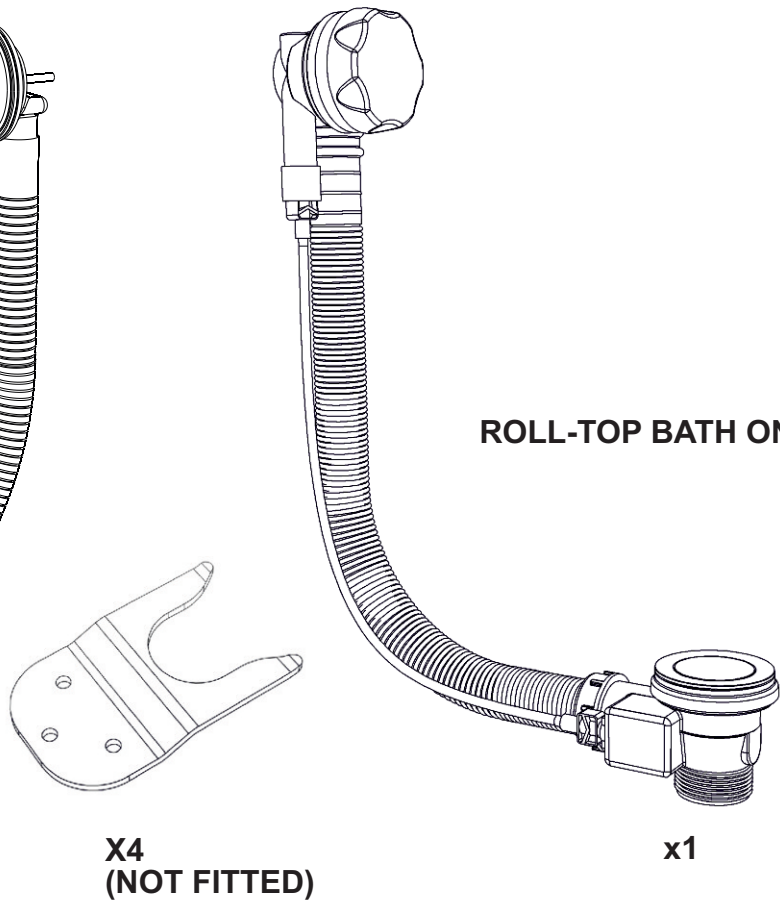
PARTS SUPPLIED (FITTED TO BATH)



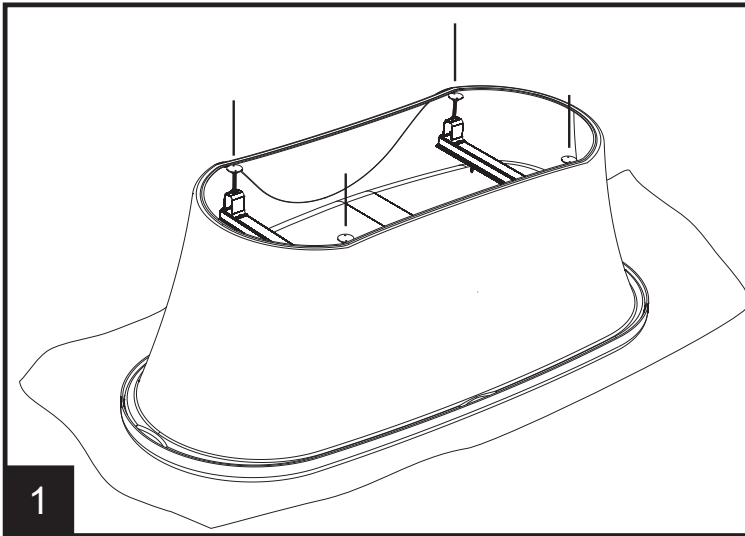
SLIPPER BATH ONLY



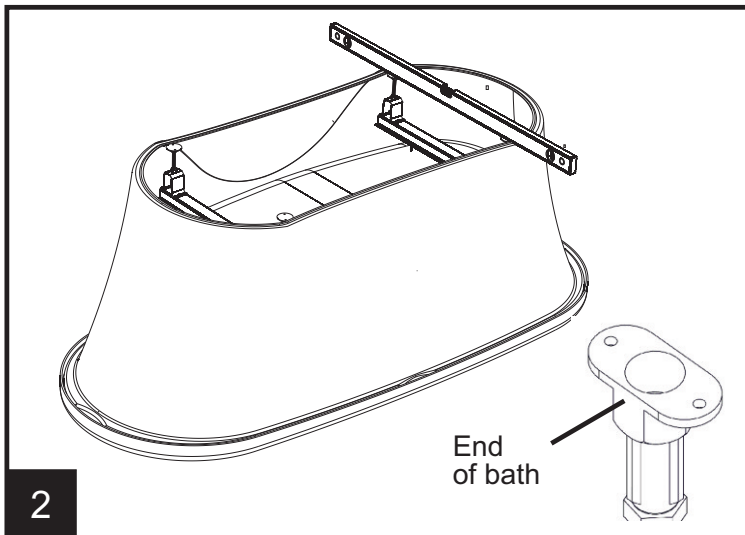
ROLL-TOP BATH ONLY



Installation Manual



NOTE: Before turning the bath over place a protective sheet on the floor, to ensure there is no damage to the product.
Extend all feet to be 2mm above the bottom edge of the panel.

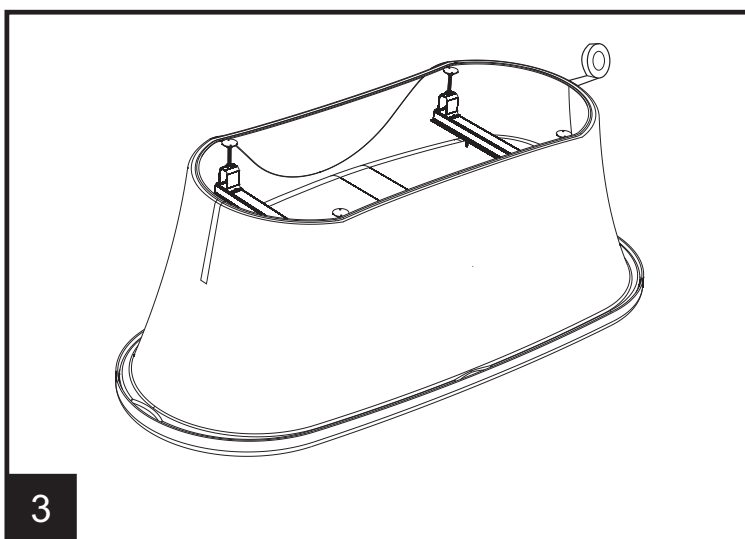


Use a straight edge or spirit level to check all feet are aligned with one another to prevent the bath rocking.

Ensure all the feet are orientated such that the 'wings' are parallel with the width of the bath, and the flat front is facing the end of the bath.

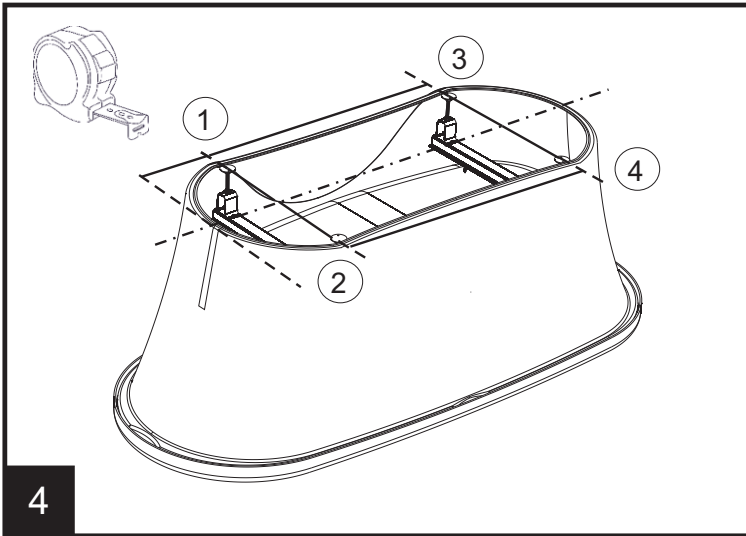
Then tighten nuts to ensure the feet are secure.

N.B. There may also be a centre foot on your bath, ensure this is also set to the correct position and height.

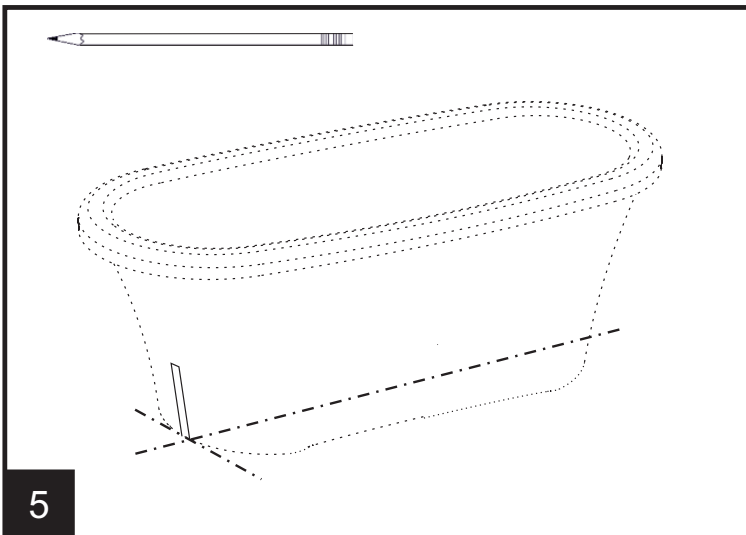


With the bath upside down, on the bottom edge of the panel mark the centre of the bath at both ends. Use masking tape positioned against these marks and taken 'down' the panel to allow the centre of the bath to be seen when the bath is turned over, use a mark on the tape to indicate which edge is aligned with the centre mark on the panel.

Installation Manual



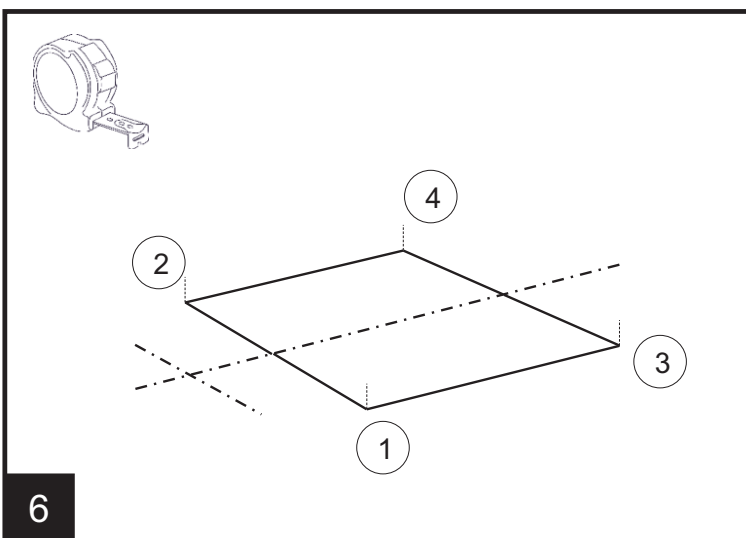
Using a straight edge positioned between the 2 centre marks on the base of the panel, carefully measure the distance to the centre of all the feet and also the distance between the front and back feet. Also measure the distance from the end of the base of the panel to the centre of the first set of feet.



Position the bath in its final location. Mark on the floor the 2 points that indicate the centreline of the bath, using the masking tape as a guide.

Draw a pencil line on the floor to indicate the final centreline position of the bath, and also a line to indicate where the base of the panel should sit.

N.B. If you need to use a marker, make sure it is non-permanent, and you avoid marking any grouted areas should the floor be tiled.

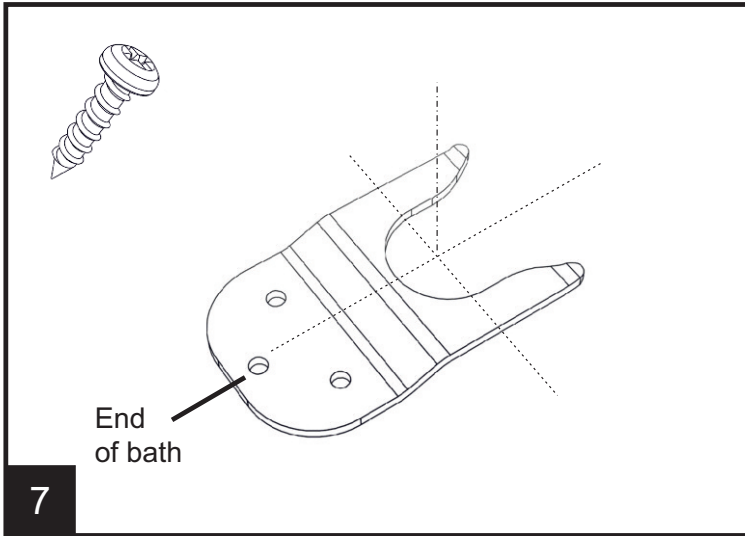


Remove the bath.

Using the centre line and panel end line as reference, transfer the dimensions that indicate the centres of the feet, remember to reverse the feet positions for when the bath is turned over.

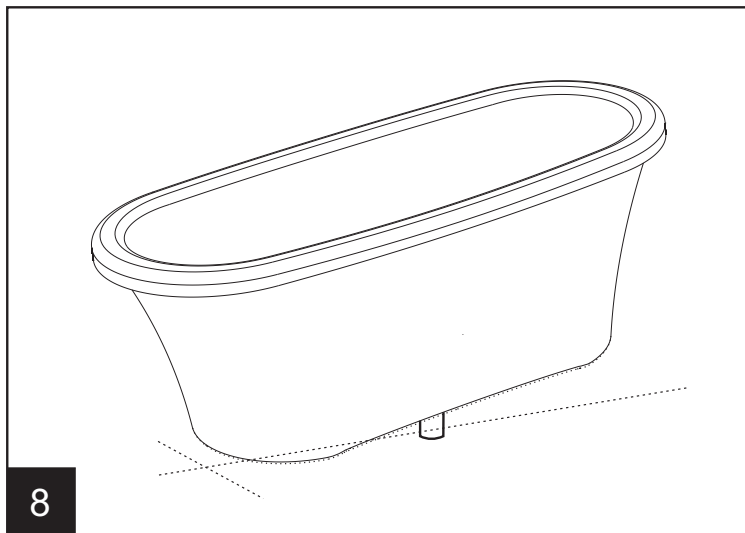
Re-check the locations you have marked against the actual feet position on the bath.

Installation Manual



At each point on the floor marked for the centre of a foot, position one of the foot retaining clips such that the centre of the circular cut out on the clip corresponds with the centre of the foot mark. Also ensure the clips are aligned to allow the foot 'wings' to slide under the raised sides, i.e. The screw holes are to the side facing the end of the bath.
Secure the clips to the floor.

N.B. Screws are not supplied, screws suitable for the floor substrate should be used, and plugs if necessary.



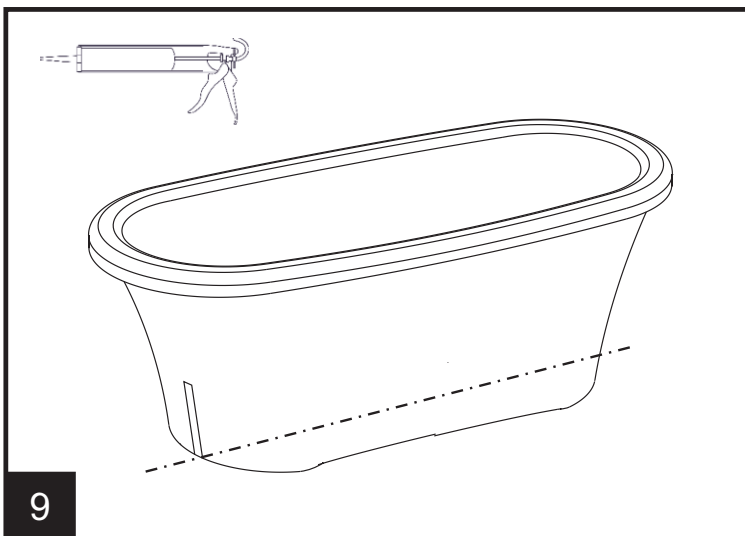
Whilst the bath is removed fit the waste, if not already fitted.

N.B. A long flexible waste pipe is required with this product.

Place the bath on the floor, and positioned so the masking tape guides are again located on the centreline. However allow approx 50mm between the bath panel and the line that indicates where the panel should sit. Raise the bath at one end, enough so that the waste can be connected to the outlet.

Ensure the pipe has continuous downward flow to avoid water retention. Connect all plumbing pipe work and silicone seal the waste.

Then check connections for leaks.



Carefully slide the bath into its final position to align the end panel with the line indicating its position, ensuring that the feet slide under all 4 of the foot retaining clips.

Remove the masking tape.

Apply a bead of silicone sealant around the base of the panel where it meets the floor.

Allow 24hrs for silicone to cure before use.

BATH CARE AND MAINTENANCE

FILLING:

It is always advisable to run the cold water before turning on the hot tap. Do not overfill.

CLEANING:

The bath should always be cleaned immediately after use, preferably whilst the water is running out and the bath is still warm. The film of insoluble soap products and grime which will otherwise harden on the bath surface are easily removed at this stage.

In hard water districts insoluble lime salts are deposited below the waterline and also under leaking taps. If this deposit is allowed to build up it becomes increasingly difficult to remove and looks unsightly. If noticed, this should be promptly cleaned with hot, soapy water before wiping the bath dry.

CLEANING MATERIALS:

Cleaners of a gritty or abrasive nature should never be used. Worn washers on dripping taps should be replaced immediately.

MAINTENANCE:

- ALWAYS wipe the bath with a damp soft cloth
- DO NOT use any abrasive cleaners

CHEMICALS:

The bath surface has good resistance properties to acids and alkalis but should not be allowed to come into contact with organic solvents such as some dry cleaning agents and paint strippers.

REMOVAL OF SCRATCHES

In the event of slight scratches in the bath surface, a mild abrasive (similar to metal polish) can be used to polish them out.

Please note that burning cigarettes should never be allowed to come into contact with the surface of the bath or damage may ensue.

Use

Always test the temperature of the water is suitable before entering the bath.

Children or persons of impaired mobility may require assistance in entering the bath.

Do not leave them unattended.

This bath is only intended for use by persons up to a weight of 150Kg.

Weighting the full bath over this may result in damage or injury.