

EXTERNALLY SILICONE SEAL THE WALL PROFILES WHERE THEY MEET THE WALL AND THE BOTTOM PROFILE AND GLASS SIDE PANEL WHERE IT MEETS THE TRAY. ALL IN A CONTINUOUS BEAD.

ALSO SILICONE PLASTIC MOULDING AND 150mm HIGH AS SHOWN IN DETAILED VIEWS BELOW.

DO NOT SILICONE INSIDE THE ENCLOSURE

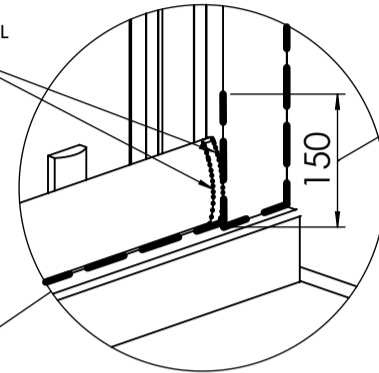
ALLOW THE SILICONE AT LEAST 24 HOURS TO FULLY CURE

AFTERCARE - ENSURE YOU CLEAN YOUR PRODUCT USING A MILD DETERGENT DILUTED IN WATER, REMOVING ANY RESIDUE WITH A SOFT DAMP CLOTH.

MAINTENANCE - ENSURE MOVING PARTS ARE FREE FROM ANY DEBRIS OR SOAP BUILD UP.

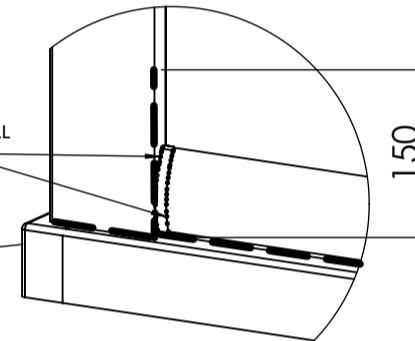
TROUBLE SHOOTING GUIDE - SEE ENCLOSURE INSTRUCTION

SILICONE THE PLASTIC MOULDING WITH AS SMALL A BEAD AS POSSIBLE.



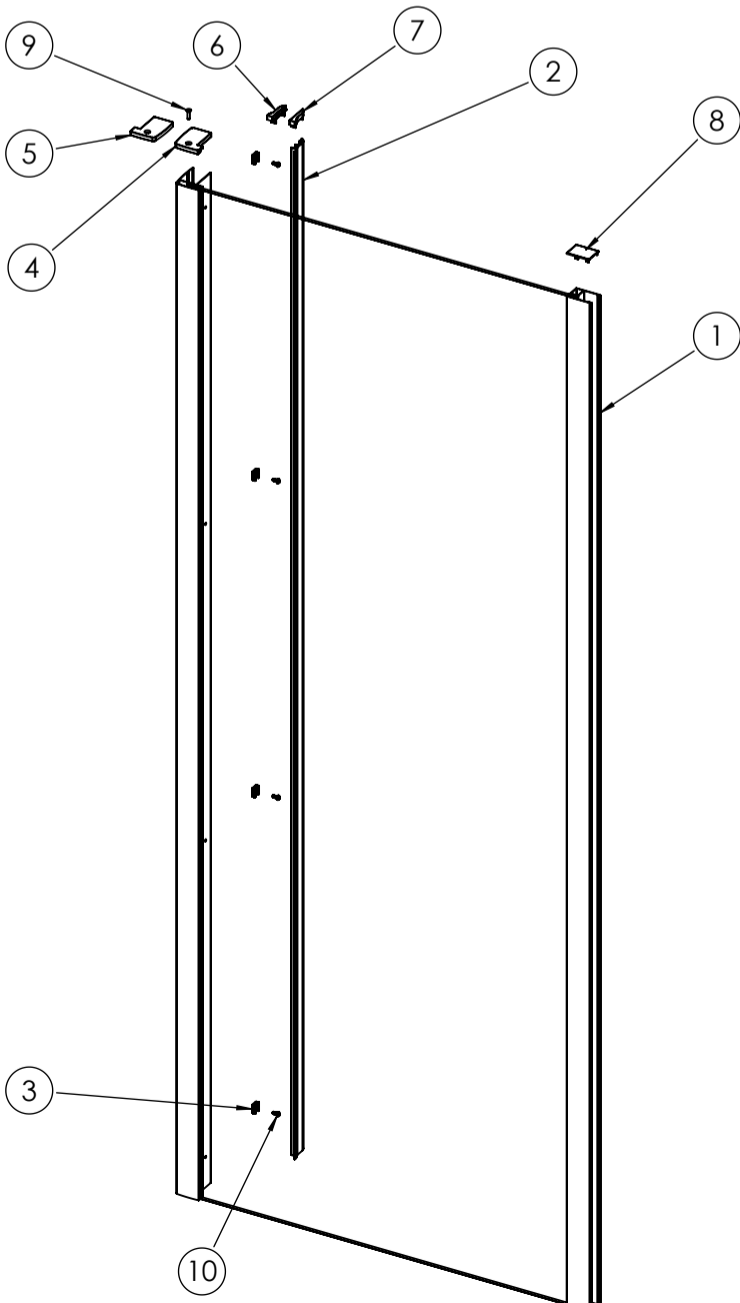
WHERE THE FRAME VERTICAL PROFILE MEETS THE WALL PROFILE.

SILICONE THE PLASTIC MOULDING WITH AS SMALL A BEAD AS POSSIBLE.



WHERE THE FRAME VERTICAL PROFILE MEETS THE CORNER POST.

SIDE PANEL FITTING INSTRUCTION



UNPACK THE BOX AND ENSURE ALL COMPONENTS ARE PRESENT.

NO REFUNDS OR REFITTING COST WILL BE GIVEN IF INCOMPLETE OR DAMAGED GOODS ARE FITTED.

THE TOUGHENED SAFETY GLASS SHOULD BE HANDLED WITH CARE AS IMPACTS WILL DAMAGE THE GLASS OR ENCLOSURE.

FIT THE SHOWER TRAY AS PER THE MANUFACTURERS INSTRUCTIONS.

NOTE: IF THE TRAY ISN'T TRUE AND LEVEL, IT MUST BE RECTIFIED BEFORE SILICONING AROUND THE TOP EDGE OF THE TRAY WHERE IT MEETS THE TILES. ALLOW THE SILICONE TO DRY BEFORE FITTING THE ENCLOSURE.

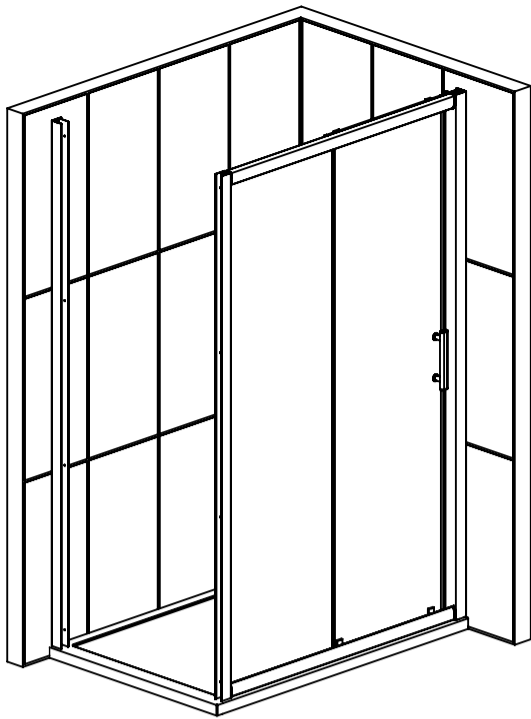
THE ENCLOSURE INSTALLATION IS RECOMMENDED AS A TWO MAN OPERATION.

TOOLS REQUIRED

- POWER DRILL - 3mm DRILL BIT - 6mm MASONARY DRILL BIT
- CROSS HEAD SCREW DRIVER - TAPE MEASURE - PENCIL
- SILICONE GUN WITH SANITARY GRADE SEALANT - SPIRIT LEVEL
- RUBBER HEAD Mallet

ITEM	DESCRIPTION	Notes	QTY
1	SIDE PANEL SUB ASSEMBLY		1
2	SCREW COVER PROFILE	OPTIONAL ON SOME MODELS	1
3	SCREW COVER PROFILE FIXING CLIPS	OPTIONAL ON SOME MODELS	4
4	CORNER POST TOP CAP LH		1
5	CORNER POST TOP CAP RH		1
6	SCREW COVER PROFILE CAP LH	OPTIONAL ON SOME MODELS	1
7	SCREW COVER PROFILE CAP RH	OPTIONAL ON SOME MODELS	1
8	RECTANGULAR CAP		1
9	M4 X 10 SOC HEAD C/SK SCREW		1
10	SCREW DIA 3.9mm x 10mm PAN HEAD	SMALL HEAD FOR USE WITH ITEMS 11 & 12.	4
11	SCREW CUP (NOT SHOWN)	ONLY USED WHEN NO ITEM 2 & 3	4
12	SCREW CHROME CAP (NOT SHOWN)	ONLY USED WHEN NO ITEM 2 & 3	4

1



THE SIDE PANEL IS AN ADDITIONAL ITEM TO THE ENCLOSURE / DOOR.

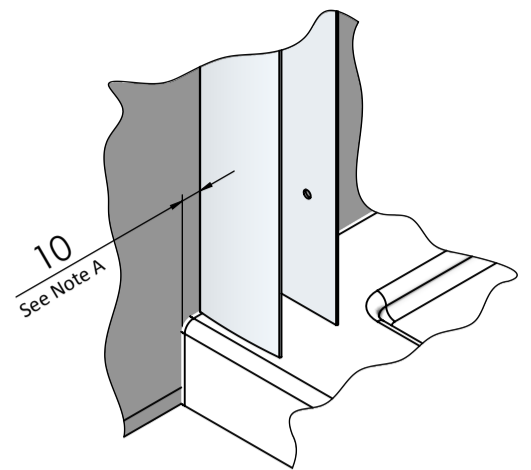
FOLLOW THE FIRST STEPS OF THE ENCLOSURE / DOOR FITTING INSTRUCTION UPTO THE STEP WHERE YOU CHOOSE BETWEEN ALCOVE OR SIDE PANEL FIT **

NOTE A

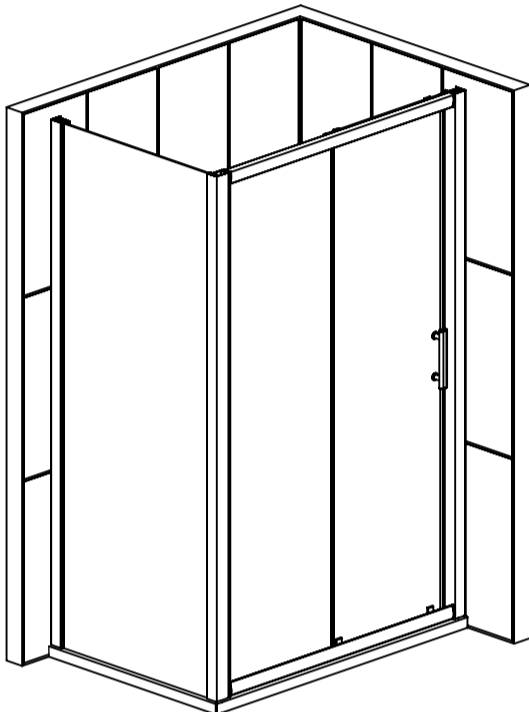
THE ENCLOSURE IS DESIGNED TO SIT BACK 10-12mm FROM THE FRONT EDGE OF THE TRAY. HOWEVER, OFFER THE FRAME ONTO THE TRAY FIRST. ENSURE WALL PROFILES WILL REACH BOTH WALLS USING 10mm AS A MINIMUM GUIDE.

IN A TYPICAL INSTALLATION

NOW FIT AND SECURE THE REMAINING WALL PROFILE TO THE BACK WALL. IT SHOULD BE APPROXIMATELY 10mm IN FROM THE TRAY EDGE (SEE ENLARGED VIEW OPPOSITE). IT SHOULD ALSO BE LEVEL AND TRUE. USE A SPIRIT LEVEL. USE RAWL PLUGS AND SCREWS PROVIDED WITH ENCLOSURE / DOOR TO SECURE.



2



SLIDE THE SIDE PANEL INTO THE REAR WALL PROFILE, THEN SLIDE THE CORNER POST ONTO THE ENCLOSURE / DOOR.

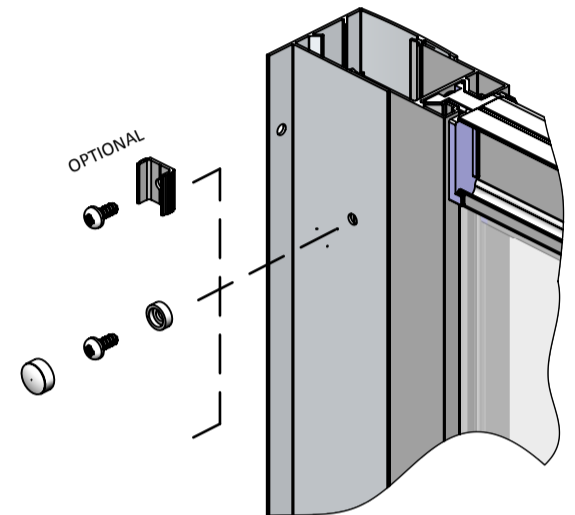
CENTRALISE THE ENCLOSURE / DOOR SO IT HAS THE SAME AMOUNT OF FRAME IN THE SIDE WALL PROFILE AND CORNER POST.

NOW ADJUST THE SIDE PANEL IN THE REAR WALL PROFILE UNTIL THERE IS AN EVEN GAP ALL AROUND THE ENCLOSURE AND TRAY FACE.

IT IS VERY IMPORTANT THAT THE SIDE PANEL AND ENCLOSURE ARE TRUE AND SQUARE ON ALL FACES BEFORE FIXING THE UNITS IN PLACE.

THE DOOR MUST ALSO OPERATE FREELY AND RUN SMOOTH.

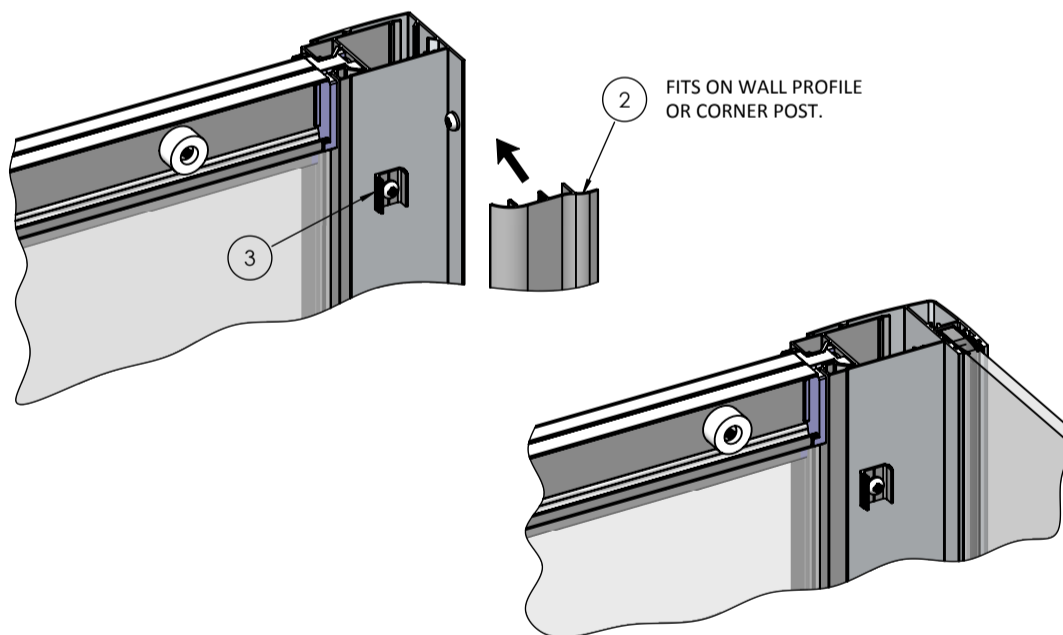
3



WHEN THE ENCLOSURE IS READY TO BE FIXED, DRILL THROUGH THE HOLES IN THE WALL PROFILE AND CORNER POST WITH A 3mm DRILL. (MAKE SURE YOU ONLY DRILL THROUGH ONE WALL THICKNESS) THEN FIX THE FRAME WITH ITEMS 10, 11* & 12*.

* IF YOU HAVE THE OPTIONAL SCREW COVER PROFILES (ITEM 2) DO NOT USE ITEMS 11 & 12, FIT ITEM 3 UNDER THE SCREWS.

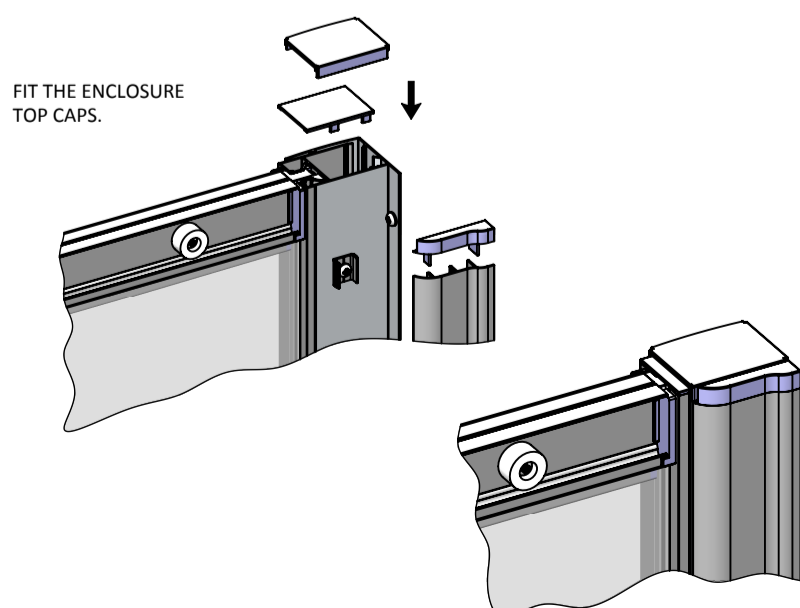
4



2 FITS ON WALL PROFILE OR CORNER POST.

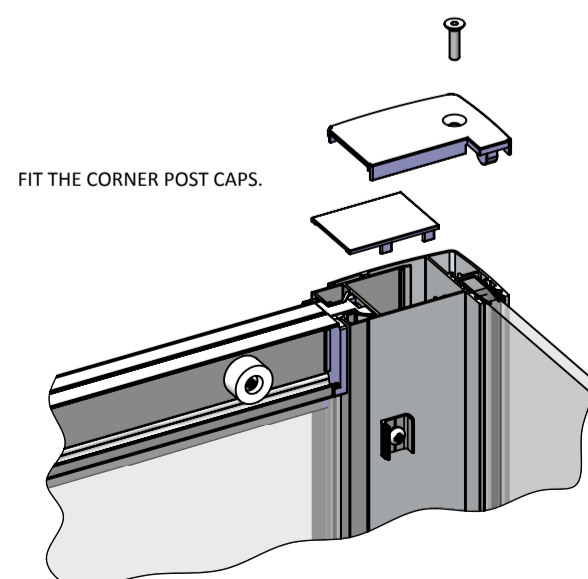
IF THE ENCLOSURE OR SIDE PANEL HAS THE OPTIONAL SCREW COVER PROFILES (ITEM 2) PUSH FIT THEM ONTO THE SCREW COVER PROFILE FIXING CLIPS (ITEM 3).

5

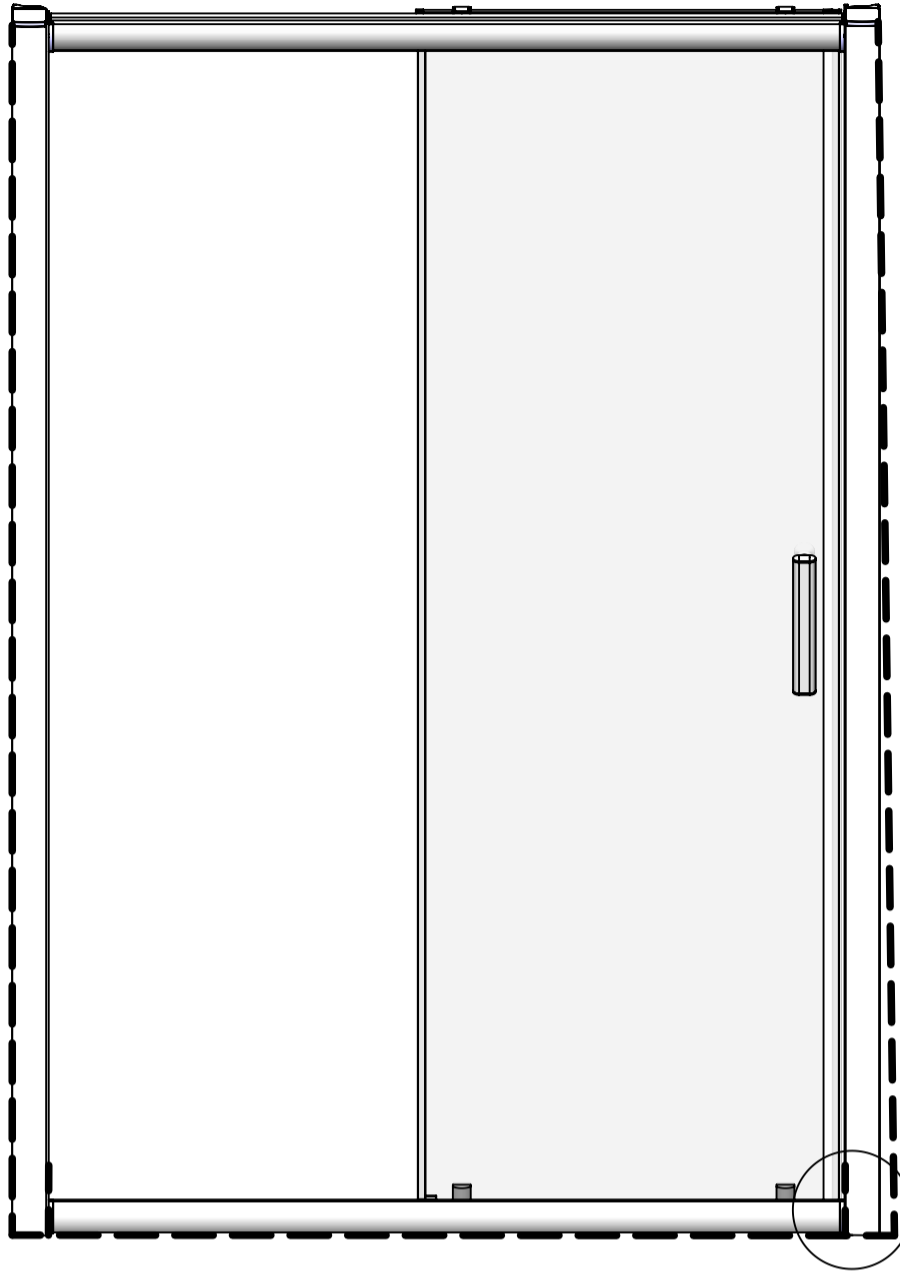


FIT THE ENCLOSURE TOP CAPS.

6



FIT THE CORNER POST CAPS.



EXTERNALLY SILICONE SEAL THE WALL PROFILES WHERE THEY MEET THE WALL AND THE BOTTOM PROFILE WHERE IT MEETS THE TRAY. ALL IN A CONTINUOUS BEAD.

ALSO SILICONE PLASTIC MOULDING AND 150mm HIGH AS SHOWN IN DETAILED VIEW BELOW.

DO NOT SILICONE INSIDE THE ENCLOSURE

ALLOW THE SILICONE AT LEAST 24 HOURS TO FULLY CURE.

AFTERCARE - ENSURE YOU CLEAN YOUR PRODUCT USING A MILD DETERGENT DILUTED IN WATER, REMOVING ANY RESIDUE WITH A SOFT DAMP CLOTH.

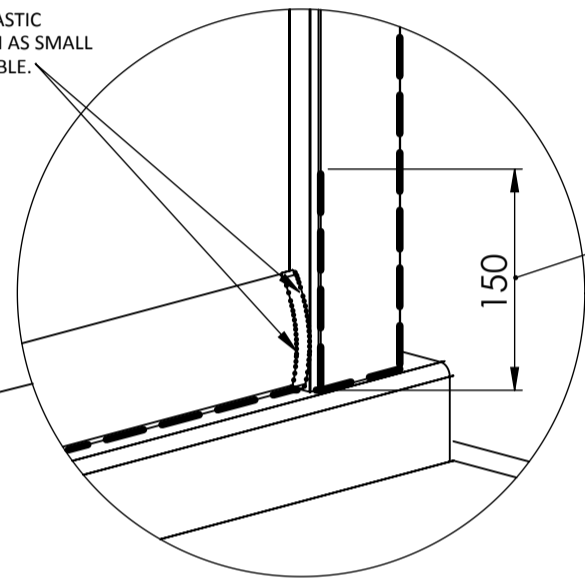
MAINTENANCE - ENSURE MOVING PARTS ARE FREE FROM ANY DEBRIS OR SOAP BUILD UP.

SHOWER ENCLOSURE WITH WHEELS - THE WHEELS MUST ROTATE FREELY AND THE SPRING LOADED MECHANISM IN THE BOTTOM WHEELS MUST OPERATE WITHOUT INTERFERENCE.

TROUBLE SHOOTING GUIDE

1. IS THE TRAY LEVEL? (SEE STEP 1).
2. ARE THE TOP AND BOTTOM TRACKS FULLY INSERTED AND FLUSH WITH THE VERTICAL PROFILES? (SEE STEP 2).
3. ARE THE RETAINER SCREWS FITTED TO LOCK THE TOP TRACK IN PLACE? (SEE STEP 2).
4. IS THE BOTTOM SEAL FITTED? (SEE STEP 3).
5. HAVE YOU COMPLETED STEP 4 CORRECTLY?
6. ARE THE WALL PROFILES PLUMB VERTICALLY? (SEE STEP 4).
7. DO THE FINISHED TRAY MEASUREMENTS COMPLY WITH THE ADJUSTMENTS LISTED IN THE PRODUCT SPECIFICATION?
8. HAS THE FIXED PANEL BEEN PROPERLY SECURED? (SEE STEP 3).
9. DO THE DOOR MAGNETS ATTRACT TO EACH OTHER? (SEE STEP 10).
10. WHEN CONSIDERING THE LENGTH OF THE TOP TRACK ALSO CONSIDER THE VERTICAL PROFILES THAT ARE SECURED TO IT WHICH INCREASE ITS LENGTH.
11. ONCE INSTALLED LEAVE THE ENCLOSURE DOORS IN THE CLOSED POSITION WHEN NOT IN USE AS MAGNET STRENGTH WILL INCREASE OVER THE FIRST WEEK.

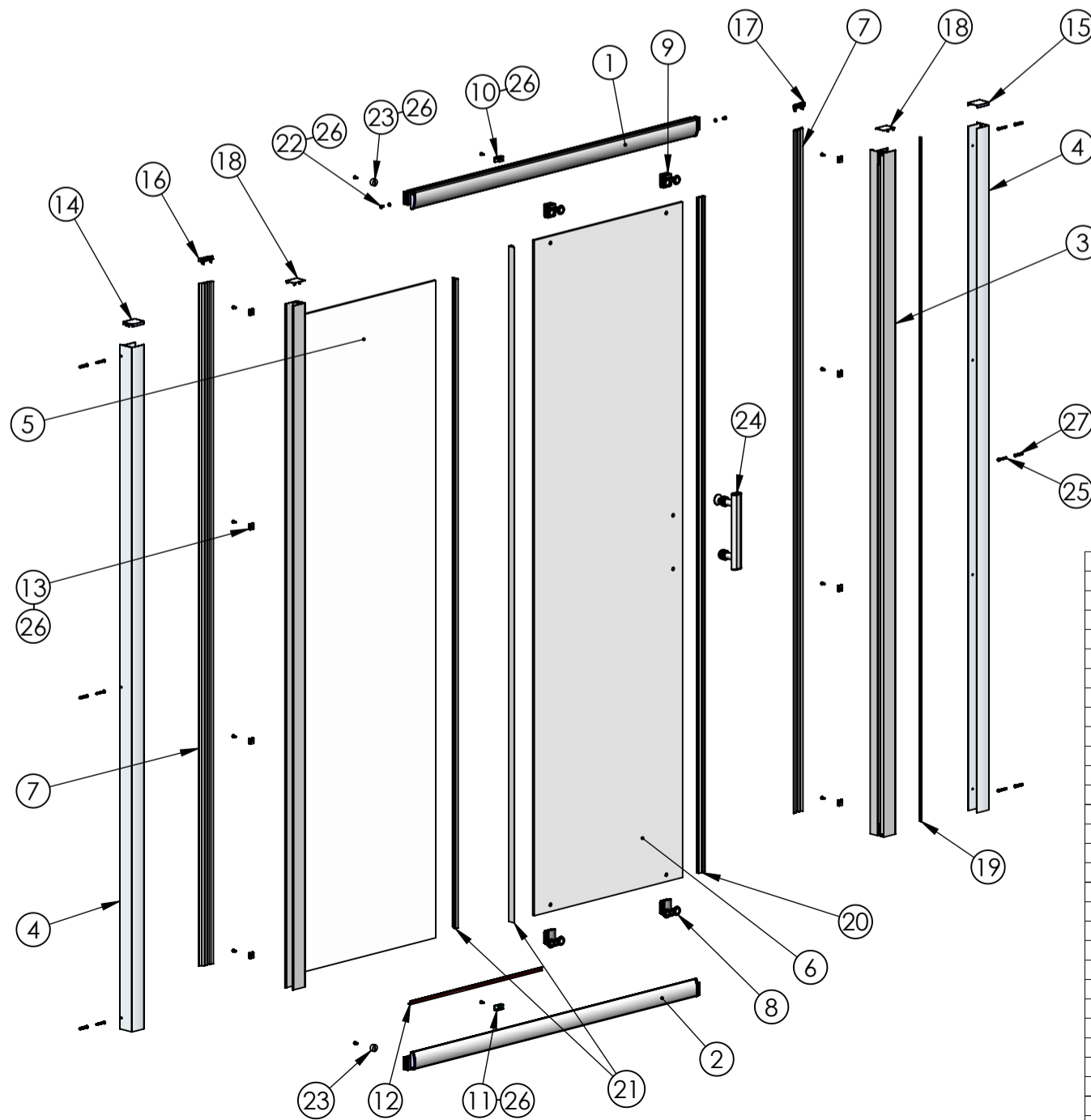
SILICONE THE PLASTIC MOULDING WITH AS SMALL A BEAD AS POSSIBLE.



WHERE THE FRAME VERTICAL PROFILE MEETS THE WALL PROFILE.

150

SLIDER SINGLE ENTRY EASY FIT ENCLOSURE INSTRUCTION



UNPACK THE BOX AND ENSURE ALL COMPONENTS ARE PRESENT.

NO REFUNDS OR REFITTING COST WILL BE GIVEN IF INCOMPLETE OR DAMAGED GOODS ARE FITTED.

THE TOUGHENED SAFETY GLASS SHOULD BE HANDLED WITH CARE AS IMPACTS WILL DAMAGE THE GLASS OR ENCLOSURE.

FIT THE SHOWER TRAY AS PER THE MANUFACTURERS INSTRUCTIONS.

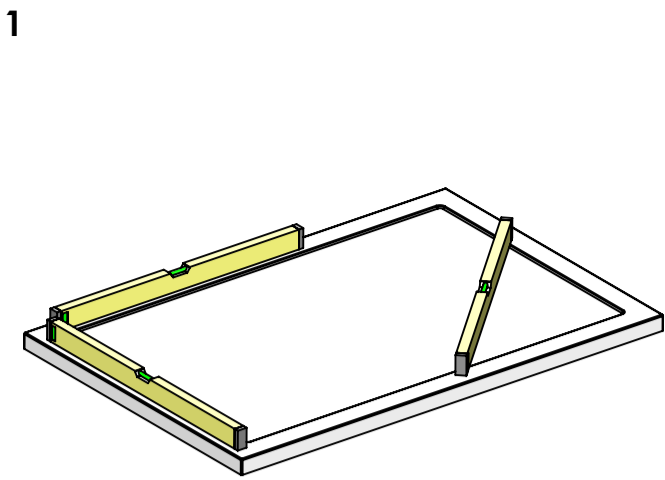
NOTE: IF THE TRAY ISN'T TRUE AND LEVEL, IT MUST BE RECTIFIED BEFORE SILICONING AROUND THE TOP EDGE OF THE TRAY WHERE IT MEETS THE TILES. ALLOW THE SILICONE TO DRY BEFORE FITTING THE ENCLOSURE.

THE ENCLOSURE INSTALLATION IS RECOMMENDED AS A TWO MAN OPERATION.

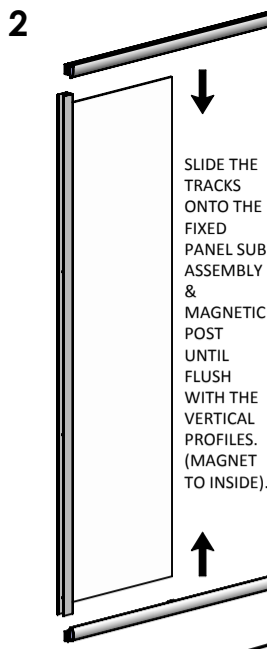
TOOLS REQUIRED

- POWER DRILL - 3mm DRILL BIT - 6mm MASONRY DRILL BIT
- CROSS HEAD SCREW DRIVER - TAPE MEASURE - PENCIL
- SILICONE GUN WITH SANITARY GRADE SEALANT - SPIRIT LEVEL
- RUBBER HEAD MALLET

ITEM	DESCRIPTION	Notes	QTY
1	TOP TRACK		1
2	BOTTOM TRACK		1
3	MAGNETIC POST		1
4	WALL PROFILE		2
5	FIXED PANEL SUB ASSEMBLY		1
6	DOOR GLASS		1
7	SCREW COVER PROFILE	OPTIONAL ON SOME MODELS	2
8	BOTTOM ROLLER (SPRING LOADED)		2
9	TOP ROLLER (SCREW ADJUSTED)		2
10	GLASS CLIP RH		1
11	GLASS CLIP LH		1
12	GLASS BOTTOM SEAL		1
13	SCREW COVER PROFILE FIXING CLIPS	OPTIONAL ON SOME MODELS	8
14	WALL PROFILE TOP CAP LH		1
15	WALL PROFILE TOP CAP RH		1
16	SCREW COVER PROFILE CAP LH	OPTIONAL ON SOME MODELS	1
17	SCREW COVER PROFILE CAP RH	OPTIONAL ON SOME MODELS	1
18	RECTANGULAR CAP		2
19	CONCEALED MAGNET		1
20	DOOR MAGNET STRIP		1
21	VERTICAL SEAL	CUT TO LENGTH AS REQ'D	2
22	NYLON WASHER		2
23	BUMP STOP		2
24	HANDLE SUB ASSEMBLY		1
25	SCREW DIA 3.9mm x 30mm PAN HEAD	FOR FIXING TO WALL	6
26	SCREW DIA 3.9mm x 10mm PAN HEAD		14
27	RAWLPLUG		6
28	SCREW CUP (NOT SHOWN)	ONLY USED WHEN NO ITEM 7 & 13	14
29	SCREW CHROME CAP (NOT SHOWN)	ONLY USED WHEN NO ITEM 7 & 13	14

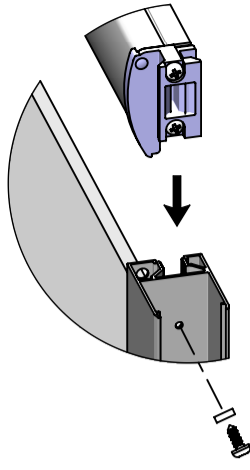


ENSURE THE TRAY IS LEVEL IN ALL PLANES.



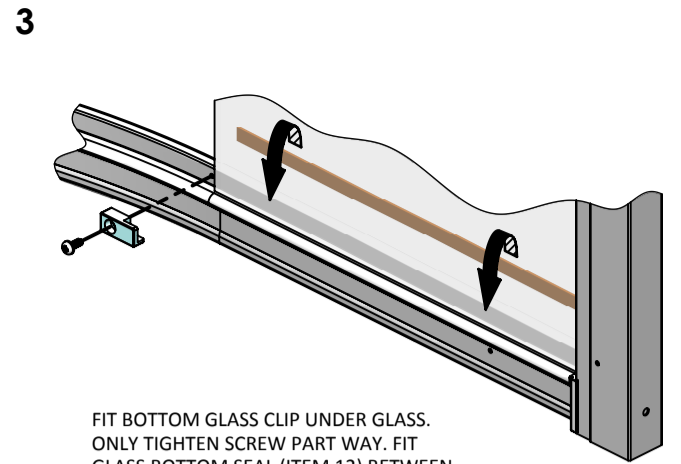
SLIDE THE TRACKS ONTO THE FIXED PANEL SUB ASSEMBLY & MAGNETIC POST UNTIL FLUSH WITH THE VERTICAL PROFILES. (MAGNET TO INSIDE).

ONCE PARTIALLY ENGAGED IT MAY BE NECESSARY TO LIGHTLY TAP THE TRACK ALL THE WAY HOME, USING A SOFT Mallet.



ENSURE BUMP STOP HOLE IS POSITIONED NEXT TO FIXED PANEL SUB ASSEMBLY (ITEM 5).

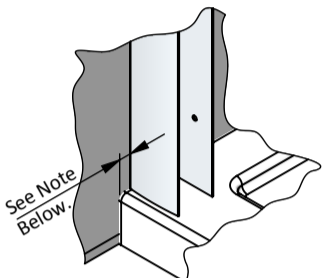
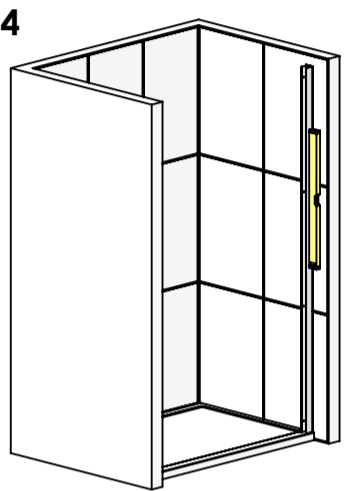
WHEN THE TOP TRACK IS IN PLACE FIT ITEMS 22 & 26 INTO THE TOP HOLES (WHERE SHOWN) TO LOCK THE TRACK IN PLACE.



FIT BOTTOM GLASS CLIP UNDER GLASS. ONLY TIGHTEN SCREW PART WAY. FIT GLASS BOTTOM SEAL (ITEM 12) BETWEEN GLASS AND PROFILE. FIT TOP GLASS CLIP AND TIGHTEN ALL SCREWS.

ALTERNATIVELY USE A SMALL BEAD OF CLEAR SILICONE ON THE OUTSIDE OF THE GLASS INSTEAD OF THE SEAL.

REPEAT FOR OPPOSITE SIDE.



OFFER THE FRAME ONTO THE TRAY FIRST. ENSURE WALL PROFILES WILL REACH BOTH WALLS.

SOME APPLICATIONS MAY REQUIRE MORE EXTENSION THAN THE ENCLOSURE WAS DESIGNED TO DO. IF THIS IS THE CASE YOU CAN PURCHASE EXTENSION PROFILES FROM YOUR SUPPLIER THAT WILL GIVE AN EXTRA 20mm PER SIDE.

IN AN IDEAL INSTALLATION

SET ONE WALL PROFILE 10mm BACK FROM THE FACE OF THE TRAY. MAKE SURE IT IS TRUE WITH A SPIRIT LEVEL, THEN MARK THROUGH THE FIXING HOLES WITH A PENCIL. REMOVE PROFILE THEN DRILL AND PLUG THE WALL (ITEM 27). NOW FIX THE WALL PROFILE IN PLACE USING ITEMS 25, 28* & 29*

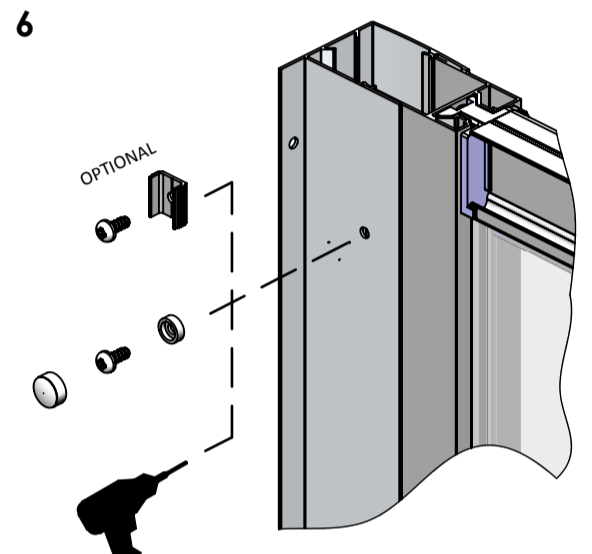
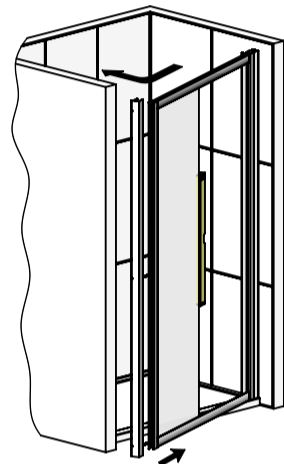
* IF YOU HAVE THE OPTIONAL SCREW COVER PROFILES (ITEM 7) DO NOT USE ITEMS 28 & 29.

** IF INSTALLING WITH A SIDE PANEL PLEASE REFER TO THE SIDE PANEL INSTRUCTION WITHIN SIDE PANEL BOX.

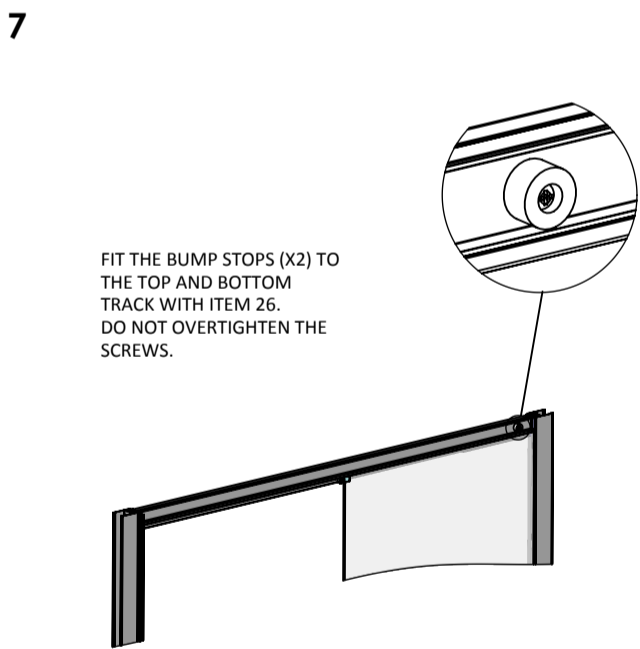
FIT THE OPPOSITE WALL PROFILE ONTO THE END OF THE FRAME AND THEN SLIDE THE ASSEMBLY INTO THE FIXED WALL PROFILE AT A SLIGHT ANGLE (AS SHOWN). CHOOSE RIGHT OR LEFT ORIENTATION. SWING THE ENCLOSURE INTO THE ALCOVE MAKING SURE THE BOTTOM TRACK IS NOW PARALLEL WITH THE FRONT EDGE OF THE TRAY.

NOW SLIDE THE OPPOSITE WALL PROFILE OUT TO MEET THE WALL. WHEN THE OPPOSITE WALL PROFILE IS LEVEL MARK THROUGH THE PRE-DRILLED HOLES WHERE IT WILL BE FIXED TO THE WALL. MOVE THE ENCLOSURE ASIDE AND DRILL AND PLUG THE WALL WHERE MARKED. (USING ITEM 27)

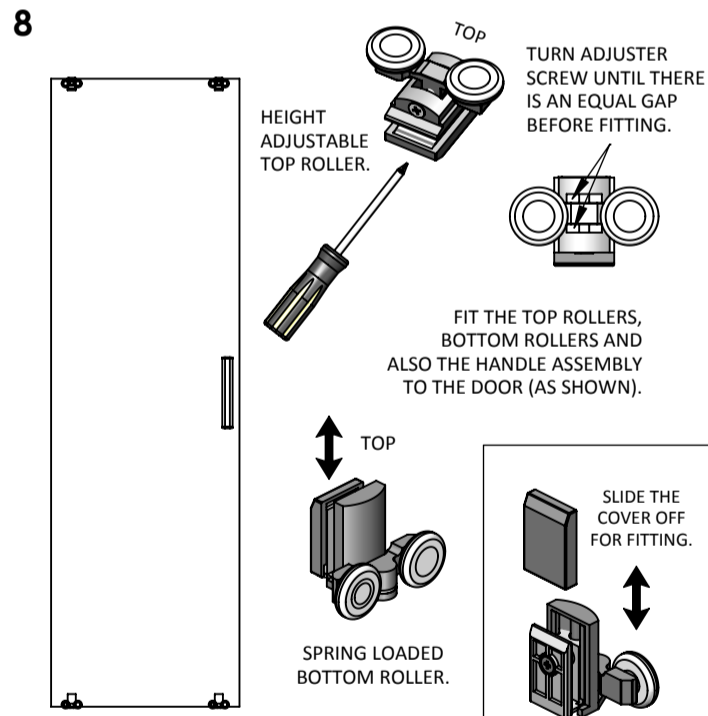
NOW MOVE THE ENCLOSURE BACK INTO POSITION AND FIX THE OPPOSITE WALL PROFILE TO THE WALL USING ITEM 25. CENTRALISE THE FRAME WITHIN THE WALL PROFILES UNTIL THERE IS AN EQUAL AMOUNT OF FRAME IN EACH WALL PROFILE. ENSURE THE FRAME IS TRUE AND SQUARE* ON BOTH SIDES BEFORE FIXING IT IN PLACE. *USE SPIRIT LEVEL.



WHEN THE FRAME IS READY TO BE FIXED, DRILL THROUGH THE HOLES IN THE WALL PROFILE WITH A 3mm DRILL. (MAKE SURE YOU ONLY DRILL THROUGH ONE WALL THICKNESS) THEN FIX THE FRAME WITH ITEMS 26, 28* & 29* * IF YOU HAVE THE OPTIONAL SCREW COVER PROFILE (ITEM 7) DO NOT USE ITEMS 28 & 29, FIT ITEM 13 UNDER THE SCREW.



FIT THE BUMP STOPS (X2) TO THE TOP AND BOTTOM TRACK WITH ITEM 26. DO NOT OVERTIGHTEN THE SCREWS.



HEIGHT ADJUSTABLE TOP ROLLER.

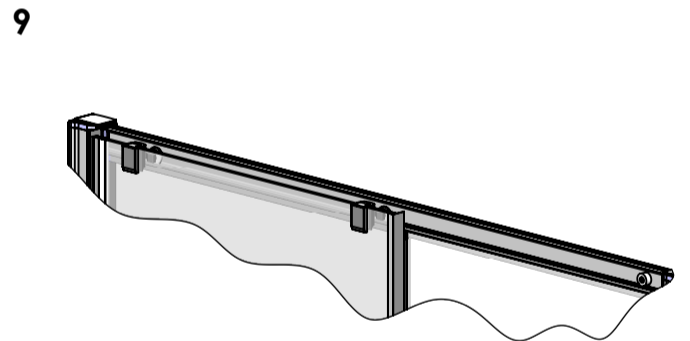
TURN ADJUSTER SCREW UNTIL THERE IS AN EQUAL GAP BEFORE FITTING.

FIT THE TOP ROLLERS, BOTTOM ROLLERS AND ALSO THE HANDLE ASSEMBLY TO THE DOOR (AS SHOWN).

TOP

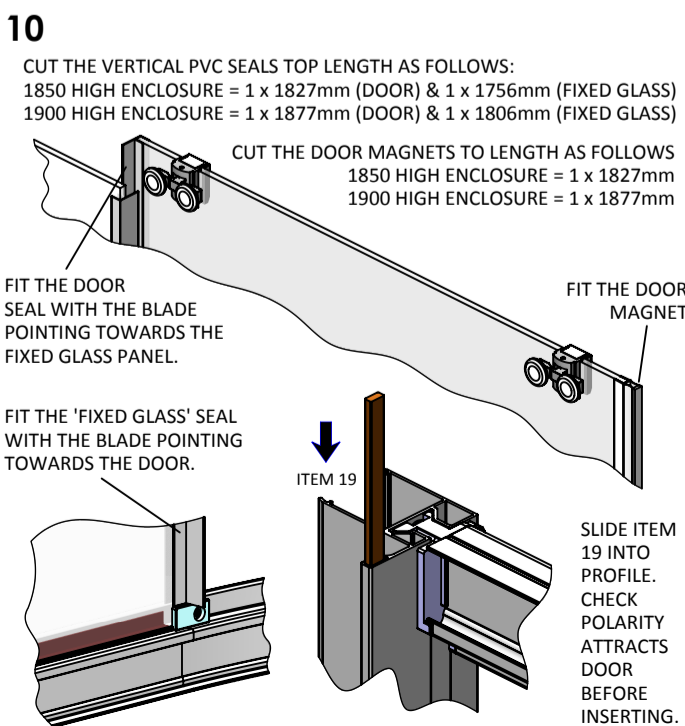
SPRING LOADED BOTTOM ROLLER.

SLIDE THE COVER OFF FOR FITTING.



HANG THE DOOR ON THE TOP TRACK, ENSURING THE WHEELS ARE LOCATED IN THE PROFILE CHANNEL. THEN FROM OUTSIDE PUSH DOWN ON THE BOTTOM ROLLERS TO LOCATE THEM INTO THE BOTTOM TRACK CHANNEL.

WHEN THE DOOR IS FITTED TURN THE ADJUSTER SCREW ON THE TOP ROLLERS UNTIL THE DOOR IS PARALLEL TO THE MAGNETIC POST.



CUT THE VERTICAL PVC SEALS TOP LENGTH AS FOLLOWS:
1850 HIGH ENCLOSURE = 1 x 1827mm (DOOR) & 1 x 1756mm (FIXED GLASS)
1900 HIGH ENCLOSURE = 1 x 1877mm (DOOR) & 1 x 1806mm (FIXED GLASS)

CUT THE DOOR MAGNETS TO LENGTH AS FOLLOWS
1850 HIGH ENCLOSURE = 1 x 1827mm
1900 HIGH ENCLOSURE = 1 x 1877mm

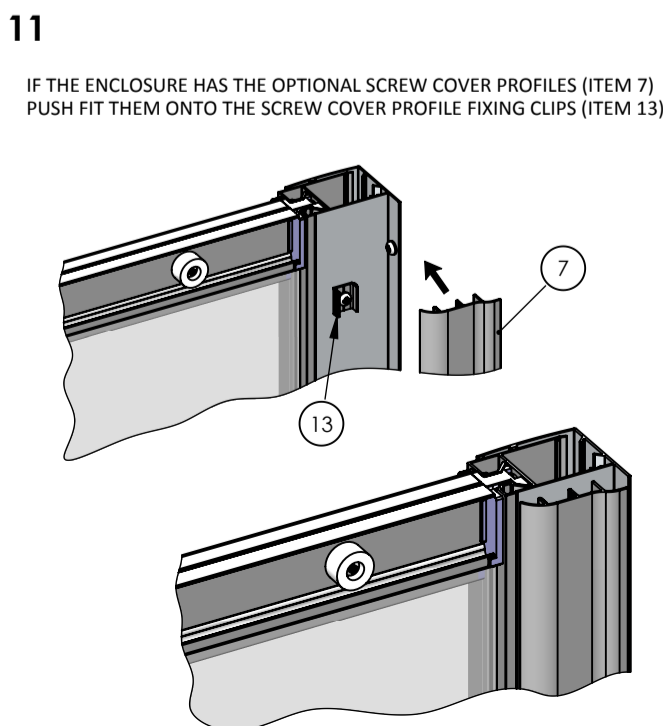
FIT THE DOOR SEAL WITH THE BLADE POINTING TOWARDS THE FIXED GLASS PANEL.

FIT THE DOOR MAGNET

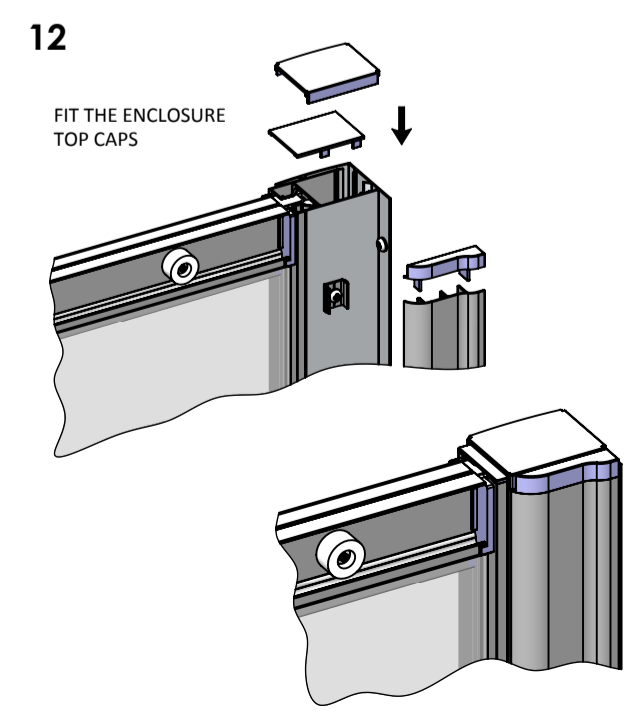
FIT THE 'FIXED GLASS' SEAL WITH THE BLADE POINTING TOWARDS THE DOOR.

ITEM 19

SLIDE ITEM 19 INTO PROFILE. CHECK POLARITY ATTRACTS DOOR BEFORE INSERTING.



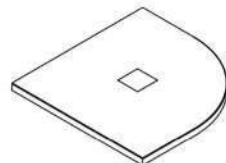
IF THE ENCLOSURE HAS THE OPTIONAL SCREW COVER PROFILES (ITEM 7) PUSH FIT THEM ONTO THE SCREW COVER PROFILE FIXING CLIPS (ITEM 13)



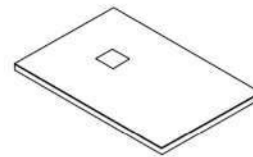
FIT THE ENCLOSURE TOP CAPS

Recessed Installation

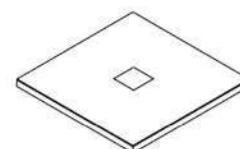
Cut the flooring after step 1, allowing clearance on the width and length of the tray to allow the tray to slot into position. Lower the flooring to the desired level. Ensure the joists are adapted to give complete support to the floor and shower tray, then proceed from step 2.



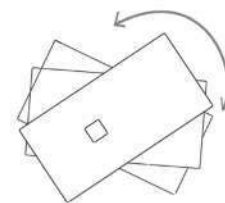
Quad



Rectangle

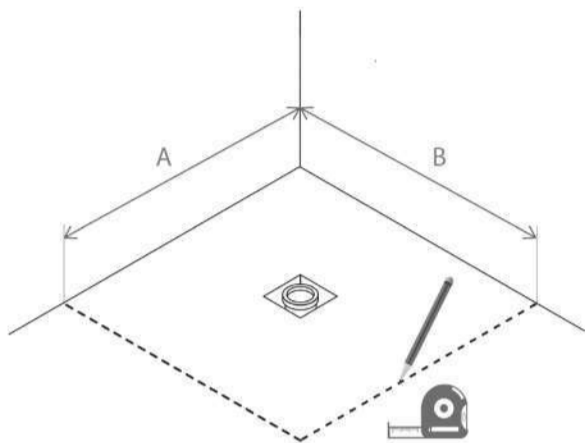


Square

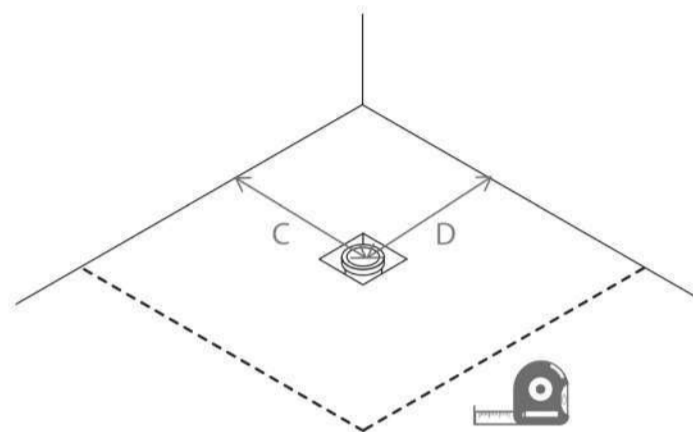


Reversible

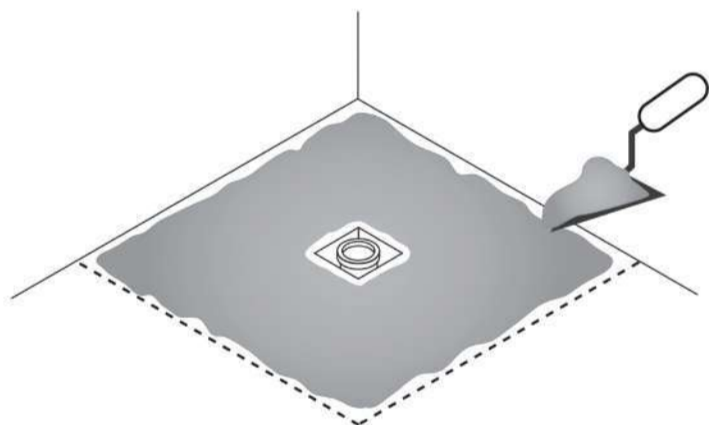
- 1 Place the shower tray on the floor in the chosen position and mark around the shower tray perimeter (A and B). Be careful not to damage the shower tray edges.



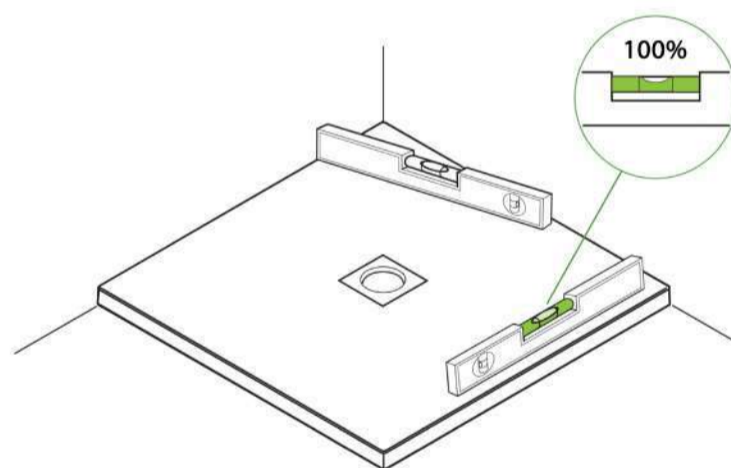
- 2 Ensure the floor is level, clear of debris, moisture resistant and fully supported. Mark the plug hole location on the floor (C and D) in order to facilitate the subsequent installation of the waste unit. Remove the shower tray and connect the waste to the sewage pipe.



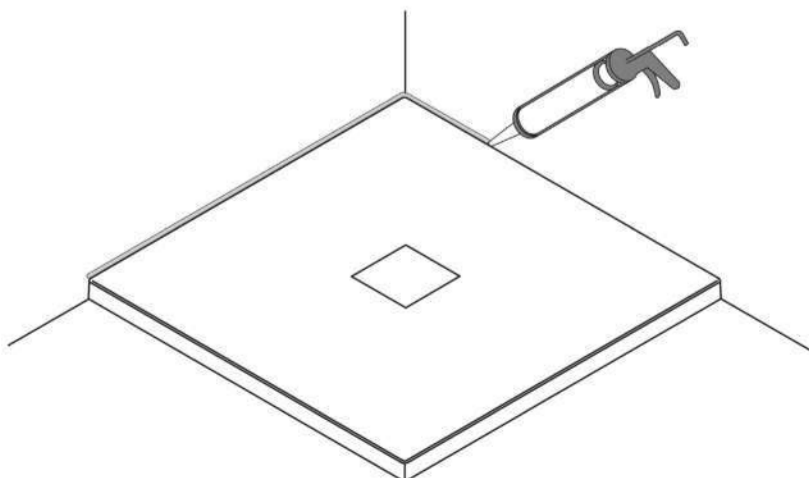
- 3 Screed inside the marked area with a cement mortar or cement based tile adhesive, ensuring full and even coverage. Ensure sufficient screed is used to allow for the shower tray to be levelled (step 4).



- 4 Carefully lower the shower tray onto the screed, making sure that the waste hole aligns with the waste unit. Make sure the waste seal is free of debris. Ensure the tray is perfectly level across all top 4 edges.



- 5 Proceed with the fixing of the waste and trap following the manufacturer's instructions. Apply a mould resistant silicone sealant to the perimeter of the shower tray, in contact with both the wall and the floor, to completely seal the edges of the tray.



WARNING:

- Please note that although these instructions are comprehensive, we always recommend that a technically competent installer undertakes the installation.
- Your shower tray may be heavy and, to avoid injury, should always be considered a two person lift.
- When handling your shower tray, take care not to damage the bottom edges. When installing, take particular care to protect the visible surfaces from impact damage or abrasions.
- Check that the shower tray is the colour, size, shape and type you require. (The sizes indicated may vary by +/- 3mm)
- Unpack and check for any damage. Do not install if you are not satisfied then contact your local supplier.
- If you install this shower tray in conjunction with a steam unit, you must ensure that the steam outlet is a minimum of 350mm from the top of the tray.
- The shower tray should be cleaned regularly with warm, soapy water only and dried with a soft cloth. Never use scourers, abrasives, bleach or other chemical cleaners.

FITTING OF THIS TRAY WILL BE TAKEN AS ACCEPTANCE OF ITS QUALITY.