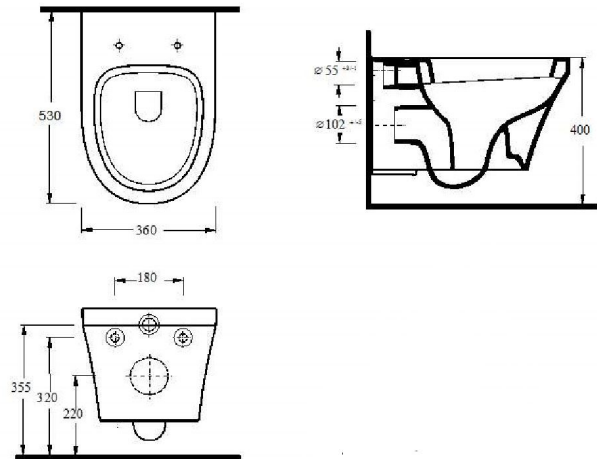


## CUSTOMER DATA SHEET

SALES CODE: Cpa027

DESCRIPTION: Luna Wall Hung Pan And Seat



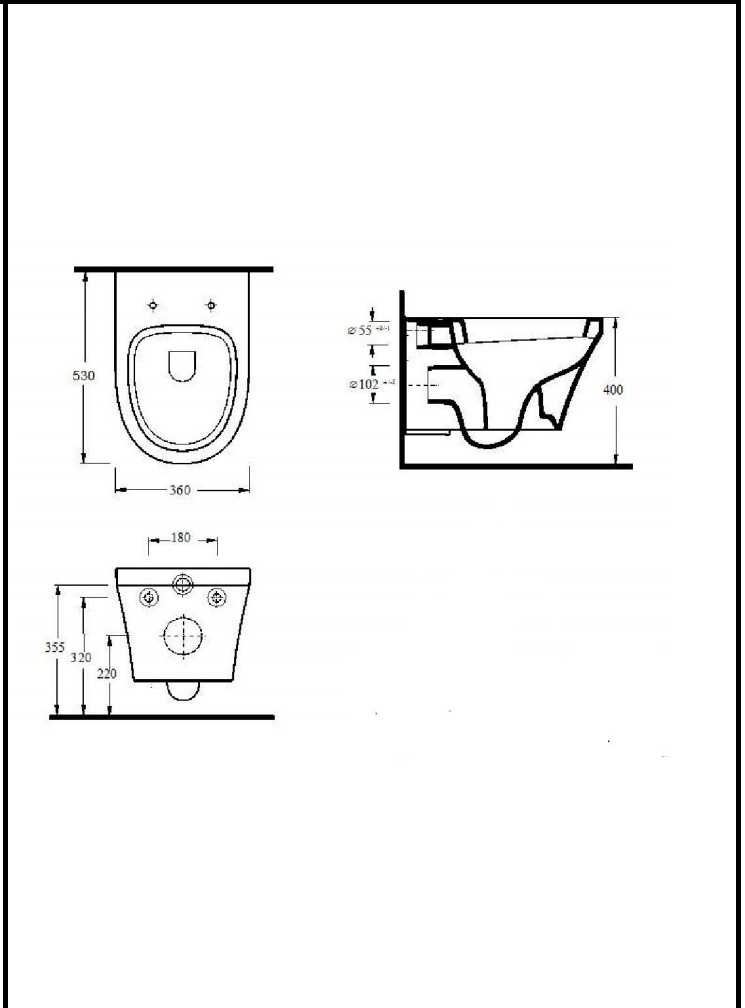
### PACKAGING DETAILS

No of Packs	2
Barcode	5055275895726

## CUSTOMER DATA SHEET - CERAMICS

SALES CODE: NCU600C

DESCRIPTION: Wall Hung Pan



### PRODUCT DIMENSIONS

Height (mm)	Width (mm)	Depth (mm)	Nett Wgt Kg
400	355	530	32.7

### PACKAGING DIMENSIONS

Height (mm)	Width (mm)	Depth (mm)	Gross Wgt Kg
0	0	0	32.7

### PACKAGING DATA

Box Colour	Brown Cardboard Box - Printed		
Box Qty	1	Label Colour	White Label
Label Size	100 x 50	Label Qty	2

### OUTER BOX DIMENSIONS (If Applicable)

Height (mm)	Width (mm)	Depth (mm)	Gross Wgt Kg
Barcode		5055369030873	

### PRODUCT DETAILS

Country of Origin	Turkey
Fitting Instruction	No

Certification	CE	Yes	WRAS	N/A	WRAS Number	N/A
Product Material	Vitreous China					

### PANS/BIDETS

Trap Style	P Trap	Includes Seat	No
------------	--------	---------------	----

### CISTERNS

Fittings	Not Applicable	Operating Type	Not Applicable
Lever Type	Not Applicable		

### SEAT

Type	Round	Function	Not Applicable
Material	Not Applicable		
Hinge Type	Top Fix	Hinge Material	Not Applicable

### BASINS

Tap Hole	Not Applicable	Chain Stay Hole	Not Applicable
Template	Not Applicable	Waste Type Req'd	Not Applicable
Overflow Incl.	Not Applicable	Overflow Cover	Not Applicable
Inner Bowl Depth	N/A		

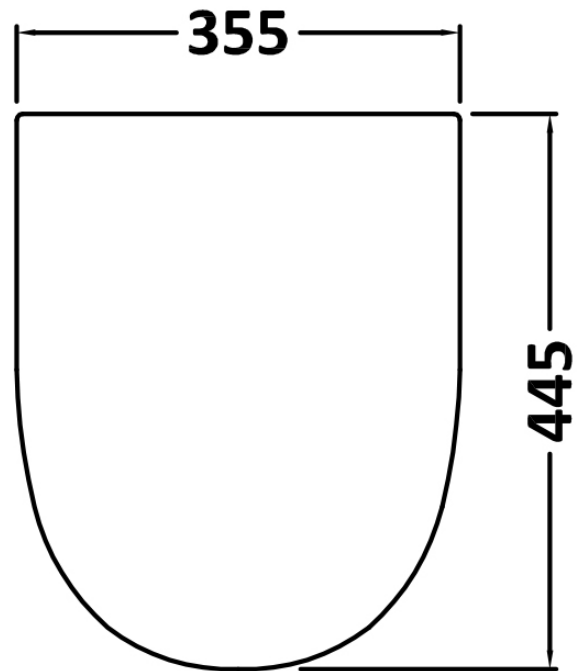
### GENERAL

Fixing Supplied	No
-----------------	----

## CUSTOMER DATA SHEET - TOILET SEATS

SALES CODE: NCU699

DESCRIPTION: Soft Close Seat



### PRODUCT DIMENSIONS

Length (mm)	Width (mm)	Height(mm)	Nett Wgt Kg
445	355	65	2.4

### PACKAGING DIMENSIONS

Length (mm)	Width (mm)	Height (mm)	Gross Wgt Kg
365	500	50	2.4

### PACKAGING DATA

Box Colour	White Cardboard Box - Printed		
Box Qty	1	Label Colour	Not Applicable
Label Size	100 x 50	Label Qty	1

### OUTER BOX DIMENSIONS (If Applicable)

Length (mm)	Width (mm)	Height (mm)	Gross Wgt Kg
400	470	475	
Barcode	5055369030934		

### PRODUCT DETAILS

Country of Origin	Turkey	CE Certification	N/A
Fitting Instruction	No	Colour/Finish	White
Product Material	Polypropylene	Fixing Method	Top Fix
Seat Type	D Shape	Seat Function	Soft Close
Hinge Centres (Min)	150	Hinge Material	Polypropylene
Hinge Centres (Max)	186		