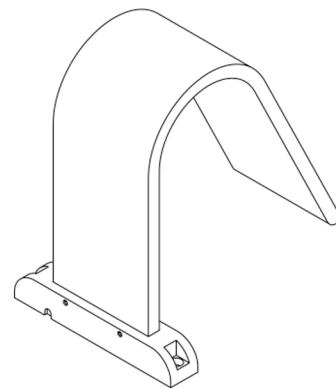


INSTALLATION  
INSTRUCTIONS

1 x CASCADE  
COB LED  
OVER MIRROR LIGHT

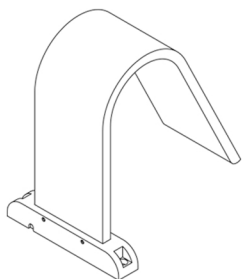


**CODE: SE34301C0/SE34301W0**

**IMPORTANT:** Please read these instructions before commencing installation and retain for future reference.

**Components**

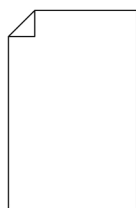
**Tools required**



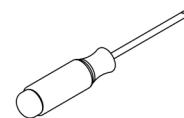
1 x LED Light



2 x Screws



1 x Instructions



1 x Screw driver

**Important Safety Information**

**Please read these instructions carefully before attempting to install this product. It is advisable to keep these instructions in a safe place for future reference.**

We recommend that you consult a qualified electrician. All electrical installation must be carried out in accordance with current IEE wiring regulations (BS7671).

**These products must not be modified, if any modification are made, it may invalidate the warranty and may render the product unsafe. These LED lights operate low voltage (9V).**

Do not wire the individual LED light fittings directly to the mains. This product should be used indoors only.

- If in doubt installation must be carried out by a qualified electrician.
- Install on smooth flat surface(s) only.
- Do not exceed or stretch the cable length of each LED wire.
- The wattage for each light is 3W.
- **One of the following IP rated drivers is required to run this product:**  
SE490050 - 3W 350mA Driver  
SE491050 - 12W 700mA Driver

**Safety Instructions**

1. Before commencing installation or maintenance, isolate the main electrical supply for the appropriate circuit at the fuse board.
2. This product is only suitable for connecting to a 240V 50Hz supply with use of a driver. Never exceed the total output of the LED driver.
3. The lights should be mounted onto a secure surface.

4. Suitable for furniture lighting.
5. When the lamp expires the fitting must be replaced

**Waste Electrical & Electronic Equipment (WEEE)**

The symbol on the product, or on the document accompanying the product, the crossed out wheelee bin symbol, indicates that this product may not be treated as household waste. Instead it shall be handed over to the applicable collection point for the recycling of electrical and electronic waste.



**RoHS** ✓  
Compliant



Before commencing installation or maintenance, isolate the main electrical supply for the appropriate circuit at the fuse board.

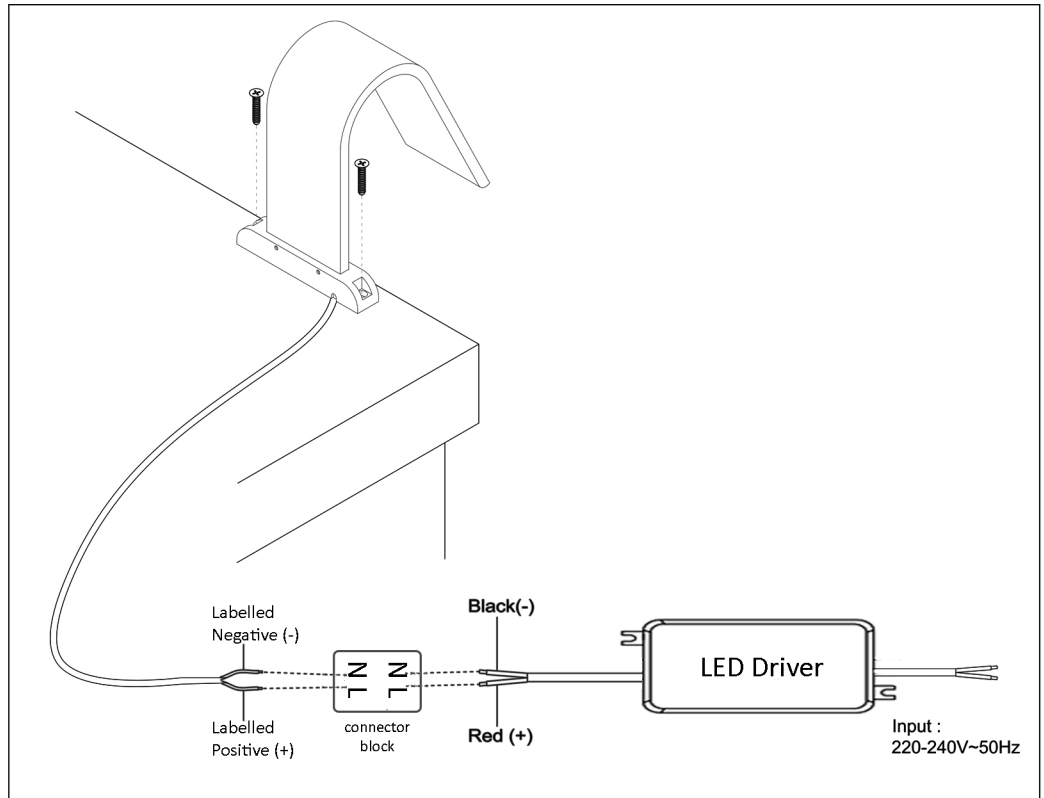
1. Using a screw driver and the screws provided fix the light fitting to the top of the mirror in the desired location.

2. Connect the wire from the fitting to the connector block, as shown on the diagram.

3. Connect the wire from the LED driver to the connector block, as shown on the diagram.

4. Connect the LED driver to the mains supply.

5. Turn on the mains supply.



## ZONE

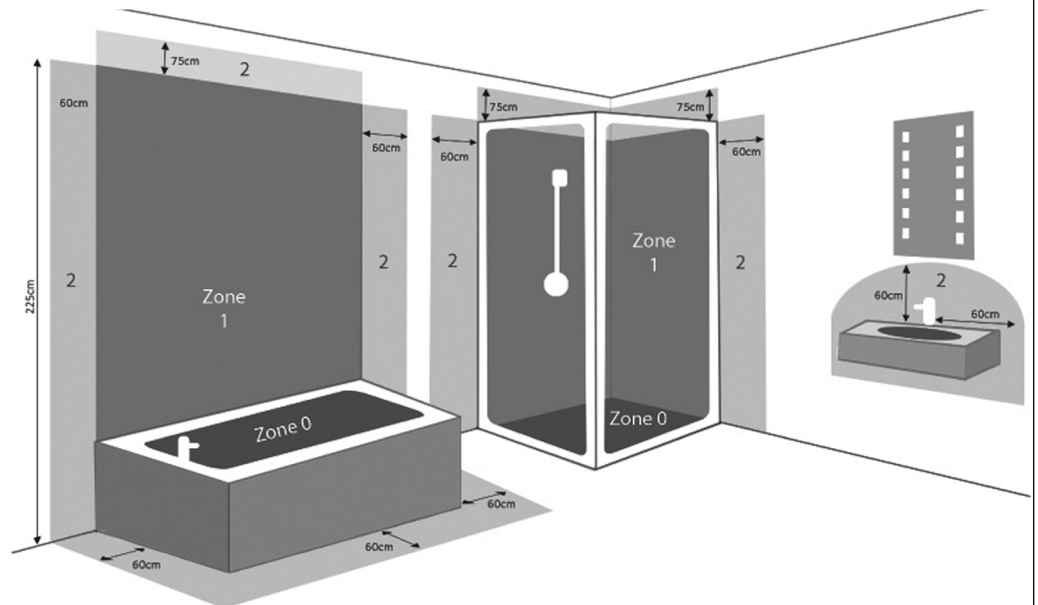
**0** Inside the bath or shower. Must be SELV (12V max.) due to water submersion. Minimum rating of IP67.

**1** 225cm above the bath or shower. Minimum rating of IP44.

**2** The area stretching to 60cm outside the bath or shower and 60cm from water outlet of sink. An IP rating of at least IP44 is required.

The light fitting is suitable for installation in zone 2 and the outside zones.

The connector block and driver are suitable for installation within zones 1 & 2 and the outside zones.



**OUTSIDE ZONES.** Anywhere outside zones 0, 1 & 2. Where water jets are not used for cleaning purposes, the general rules of BS7671 apply.

## Maintenance & Care

- Ensure that the power is disconnected prior to cleaning.
- To keep the finish of this product, wipe over with soft cloth periodically.
- Do not use harsh chemical solvents, this may dis-colour or damage the finish.