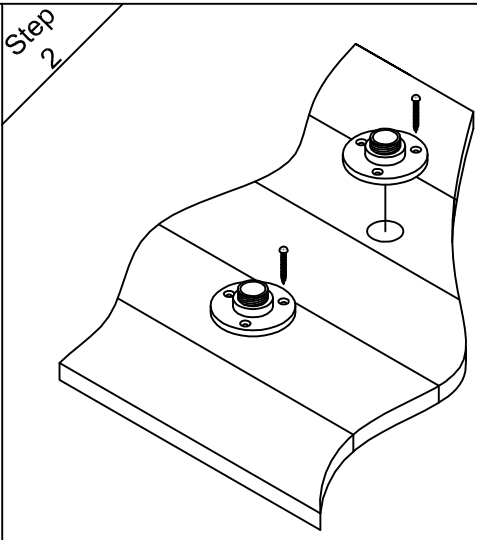
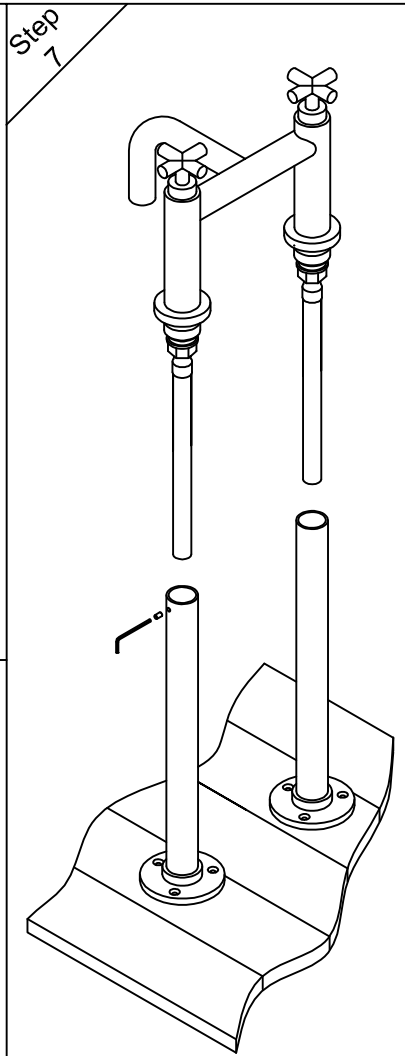


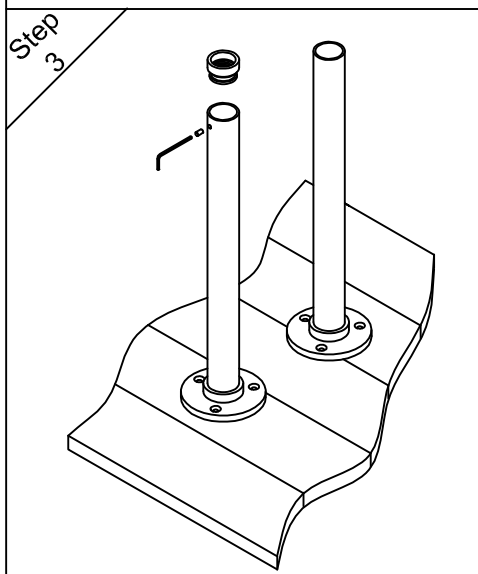
Drill two holes in floor as shown (use same dimensions if fitting taps along edge of bath)



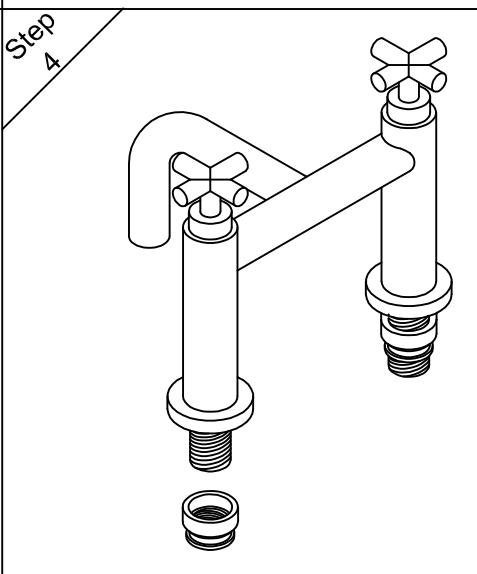
Screw pipe flanges to floor, directly above previously drilled holes.



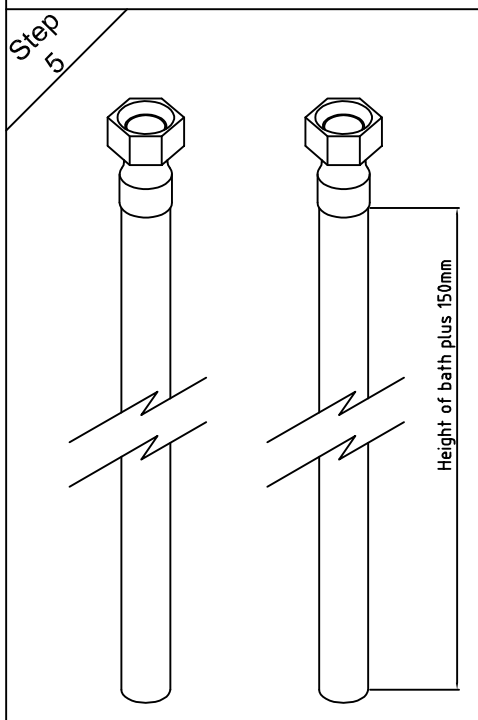
Place the tap/feed tube assembly over the floor tubes. Tighten the grub screws on to the upper bushes by means of the Allen key.



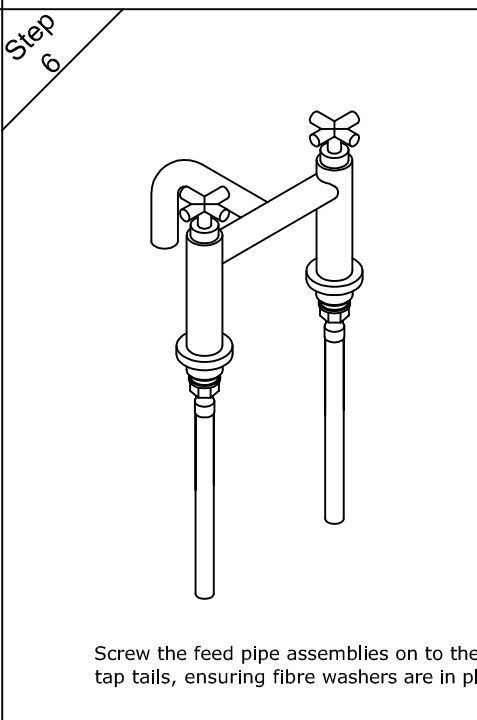
Screw the two tubes on to the flanges. Remove the upper bushes with the Allen key.



Screw the upper bushes on to the tap tails



Solder the tap connectors to the 22mm feed pipes (not supplied)



Screw the feed pipe assemblies on to the tap tails, ensuring fibre washers are in place

DA311 Assembly Instructions