

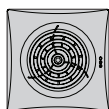
## Hush & Breeze Wall Mounted Fans



### Hush Chrome

Timer Art no.33100

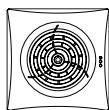
Timer & Humidity Sensor Art no.33200



### Hush Matt Silver

Timer Art no.31700

Timer & Humidity Sensor Art no.31800



### Hush White

Timer Art no.31500

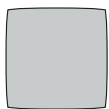
Timer & Humidity Sensor Art no.31600



### Beeze Chrome

Timer Art no.32800

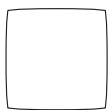
Timer & Humidity Sensor Art no.32900



### Breeze Matt Silver

Timer Art no.31300

Timer & Humidity Sensor Art no.31400



### Breeze White

Timer Art no.31100

Timer & Humidity Sensor Art no.31200

Thank you for purchasing this HiB product.

Please read through these instructions carefully and refer back to them during installation to ensure that your product is fitted safely and that it retains its high quality finish.

Please retain this leaflet for future reference.

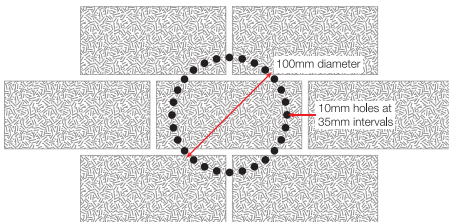
Before drilling, ensure there are no hidden cables or pipes in the wall

**Suitable for installation in zones: 2 & Outside Zones**

Please see Fig. 1 on the back page for details

## Fitting

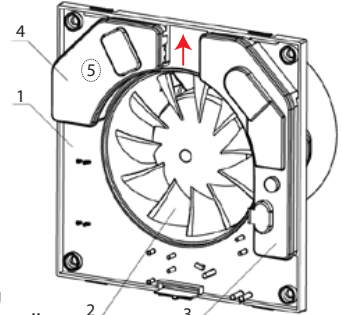
- 1) Choose a suitable position for your fan according to Figure 1 on the back page. Use a cable finder to check if there are any buried cables or pipes in the wall. Draw around the outside of the fan to determine its exact location with a pencil. Mark the position of the centre of the fan on the wall.
- 2) Drill a hole to mark the centre point using a 10mm drill bit. You should ensure that this hole is angled slightly downwards. Using the drilled hole as a centre point mark the extractor opening on the outside wall.
- 3) Use a 10mm bit to drill a series of holes at 35mm intervals round the edge of the circle that was previously drawn. Use a 60mm bolster chisel and club hammer to chop out the waste.



- 4) If necessary, use a chisel and hammer to cut grooves in your internal plasterwork to take the cable and conduit.
- 5) Fit flexible ducting into the hole, flush with both sides of the wall. Ensure the duct slopes slightly downwards towards the outside. Make good any plasterwork around the duct.
- 6) Position the fan back into place, and mark the four fixing points. Drill the required holes in the marked positions. *If drilling through tile, use a ceramic drill bit.* Insert wall plugs into the drilled holes.
- 7) Follow a similar procedure for the outside wall grille.

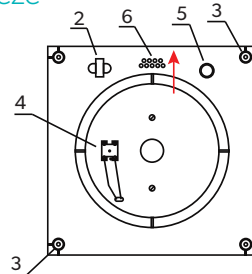
## Electrical Connection Hush

Please ensure that the fan unit is positioned in accordance with the diagram below i.e. With the electrical access point (5) top left.



- 1 Casing
- 2 Fan propeller
- 3 Function module
- 4 Protective cover of terminal block
- 5 Electrical access point

## Breeze



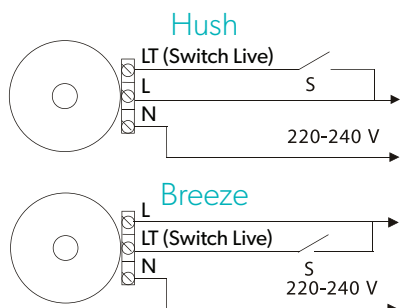
- 1 Casing
- 2 Retaining clip for power lines
- 3 Holes for fan mounting
- 4 Terminal block
- 5 Electrical access point
- 6 Wire fixing rack

## Fascia removal

**Hush** - Depress plastic nodule on the side of the fascia and gently prise away from the casing.

**Breeze** - In order to remove the fascia for maintenance, please remove the small retaining screw and gently prise the fascia away from the casing.

- 1) Ensure the domestic electrical mains supply to which the fan is being connected is turned off. This product is designed to be connected to an on/off switch outside the bathroom, or to a ceiling mounted pull cord switch.
- 2) **Hush Only:** Remove the front panel and protective cover (4). Pass the power wire through the hole in the rubber plug (beneath protective cover) at the fan casing flange.
- 3) **Breeze Only:** Remove the protective grille. Lead the power supply cords through the hole (5) which should be cut before in the plastic casing.
- 4) Make the electric connections according to the relevant wiring diagram below.



- 5) Fix the fan to the wall using 4 screws.
- 6) Replace the cover and protective grille.

## Technical Information

### Hush

**Power input:** 220-240 V, 50 Hz

**Maximum ventilation volume:** 97 m<sup>3</sup>/hr (±5%)

**Power consumption:** 7.5W

**Dimensions:** W158 x H158 x D107mm

### Breeze

**Power input:** 220-240 V, 50 Hz

**Maximum ventilation volume:** 88 m<sup>3</sup>/hr (±5%)

**Power consumption:** 14W

**Dimensions:** W152 x H152 x D126mm

## Operating Instructions

### 1) For Art Nos. 33100/31700/31500/32800/31300/31100

Fan with timer option switches on as control voltage is supplied to LT terminal. After voltage is off, the fan continues operating within the set time period T, adjustable between 2 and 30 min. The time is regulated by turning the potentiometer T clockwise to increase and anticlockwise to decrease the running-out time.



### 2) For Art Nos. 33200/31800/31600/32900/31400/31200

Fan with timer and humidity sensor switches on as control voltage is supplied to LT terminal or when humidity level adjustable between 60% and 90% is exceeded. After voltage is off or humidity level H decreases the fan continues operating within the set time period adjustable between 2 and 30 min. Time T and humidity H values are regulated by turning the appropriate potentiometers T and H clockwise to increase and anticlockwise to decrease the running-out time and humidity level respectively. To set the maximum humidity level set the potentiometer in H max (90%) position.



## Maintenance

Fan maintenance is to be performed only after the fan is disconnected from the mains power supply. Maintenance means periodic clearing of the surfaces from dust and dirt.



## These products are suitable for installation in zones: **2 & Outside Zones**

All installations must comply with guidelines which are based on a zonal concept. The diagram above illustrates this concept and must be followed to ensure the safe installation of electrical appliances in the bathroom. These regulations apply to domestic installations only. Installations must be made in accordance with the current IEE wiring regulations and relevant building regulations. **HiB recommends that all electrical bathroom products should only be fitted by a suitably qualified, Part P registered electrician.**

### Electrical Safety Information

Ensure mains power supply is switched off before starting installation. Before drilling, ensure there are no hidden cables or pipes in the wall.

### Care Instructions

All surfaces should be cleaned with diluted detergent (i.e. washing up liquid) and a soft cloth. Do not use abrasives or solvents when cleaning this product. Wipe off all water spillages as soon as possible using a soft, damp cloth.

### Aftercare Service

In the unlikely event that this product should fail please contact HiB customer services, details shown below.



#### WEEE compliance

Must not be mixed with general household waste

T: +44 (0)20 8441 0352 F: +44 (0)20 8441 0219 E: sales@hib.co.uk [hib.co.uk](http://hib.co.uk)

Building 3, North London Business Park, Oakleigh Road South, New Southgate, London. N11 1GN

©HiB Copyright: No part of this document may be reprinted or duplicated without HiB consent. All sizes and measurements are approximate, but we do try and make sure they are as accurate as possible. In the interest of continuous product development, HiB reserves the right to alter specifications as necessary. E & OE.