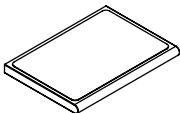


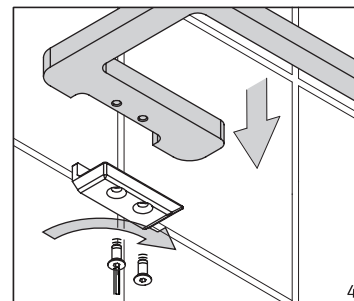
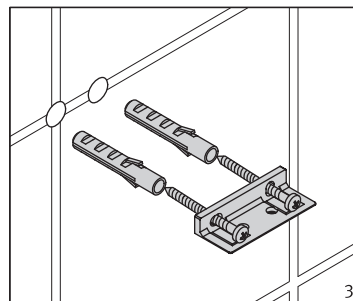
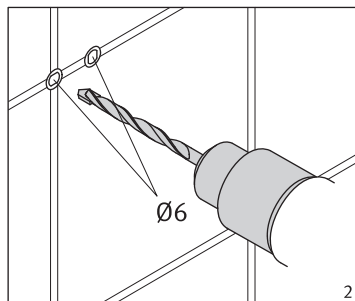
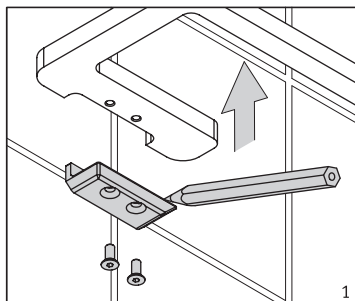
ACTRHCH01
ACTRHBK01
ACTRHBB01



ACCACH05

Installation Guideline

- Using a suitable drill bit, drill holes in the marked positions to a suitable depth. If drilling through tile, use a ceramic drill bit.
- Insert wall plugs level with the surface of the wall. If fitting to a tiled surface, wall plugs should be inserted below the tile surface to avoid cracking. **NB. For plasterboard walls, specialist fixings should be purchased, available from any DIY or hardware store.**
- Fig.4 - Ensure the retaining screw is installed securely.



Care Instructions

- Do not use abrasives or solvents when cleaning this product.
- Wipe off all water spillages as soon as possible using a soft, damp cloth.