

HERITAGE

BATHROOMS

INSTALLATION GUIDE



MODELS COVERED:

Heritage Worktops

Please keep this booklet for future Reference.

Installer: when you have read these instructions please ensure you leave them with the user.

INTRODUCTION

Thank you for buying a Heritage Product. When you buy a Heritage product, you can be confident that it not only features a beautiful, distinctive, classic design, but that it has also been made to the very highest quality standards. To ensure that it works to its full potential, it needs to be fitted correctly.

These fitting instructions have been created to give you all of the information you need and, if you need any further help, please do not hesitate to give us a call on 0330 026 8503.

CONTENTS

Safety Note	3
Installer Guidelines	3
Tools Required	3
Installation (Under Counter Basin Worktops).....	4-5
Installation	6 - 7
Caring For Your Product.....	8
Guarantee	9

SAFETY NOTE

Please read these instructions and retain for future use.

All products manufactured and supplied by Heritage are safe, provided they are installed correctly, used correctly, and receive regular maintenance in accordance with these instructions.

If you are in any doubt about your ability to install this product safely you must employ the services of a competent person who has experience of fitting products of this nature.

⚠ Before starting any installation project please consider the following:

- Prior to drilling into walls, check there are no hidden electrical wires or cables or water supply pipes with the aid of an electrical detector.
 - If you use power tools do not forget:
 - Wear eye protection.
 - Unplug equipment after use.
 - This product must not be modified in any way as this will invalidate the guarantee.
-

INSTALLER GUIDELINES

Please note basin, taps and wastes are supplied separately. Please follow those fitting instructions for information on how to prepare for installation.

Basin hole for Granley, Dorchester and Wilton worktops are pre-cut.
Tap holes to be cut by installer if required



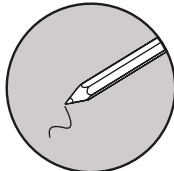
Place your worktop on a soft surface to prevent scratches and damage.

TOOLS REQUIRED

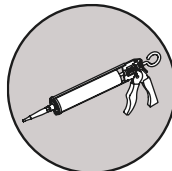
Drill



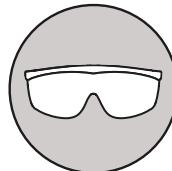
Pencil



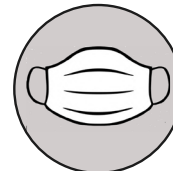
Silicone
Sealant



Safety
Goggles




Ventilation
Mask




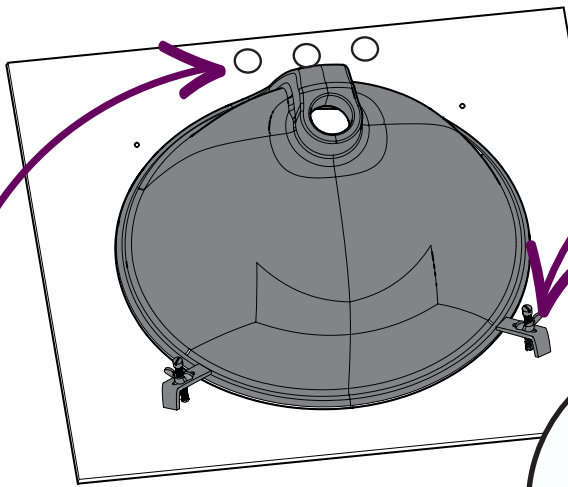
INSTALLATION OF WORKTOPS

The worktop shown in these instructions are for illustration purposes only. All products in this range can be fitted using the guide below.




Place your worktop on a soft surface to prevent scratches and damage.

Position the basin onto the chosen worktop. Align basin in place so that there is an even overhang on all edges (view from the top). The basin overflow should be at the back of the basin/worktop. Loosely tighten the threaded screws and wingnuts into the pre-drilled holes in the worktop by hand.



Take care when adjusting the basin position to avoid scratching the worktop




Overtightening your fittings can cause damage to your sanitaryware and your worktop

Mark your tap holes leaving space for your taps to be connected without obstructing the basin. A mixer tap (one hole) requires a 35mm hole, Basin taps (2 holes) require 30mm holes and 3H basin taps (3 holes) require centre hole to be 35mm and the two outside holes to be 30mm.

Holes must be positioned so that there is sufficient space to allow the back nut (or other fixing type) on your taps to be installed. Check that there is sufficient spout reach over the basin and space to operate the handle(s) once fitted.



Remove basin and cut out tap holes from the top of the worktop. We recommend using a diamond tipped hole saw drill. Fit basin to worktop (refer to basin instructions).

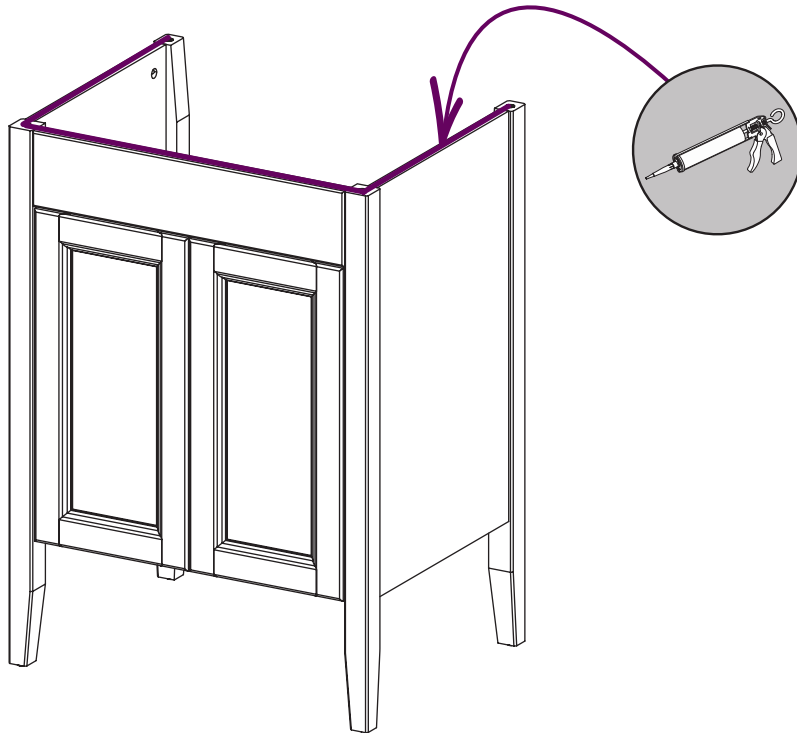


Any cut outs must be sealed to prevent water ingress!

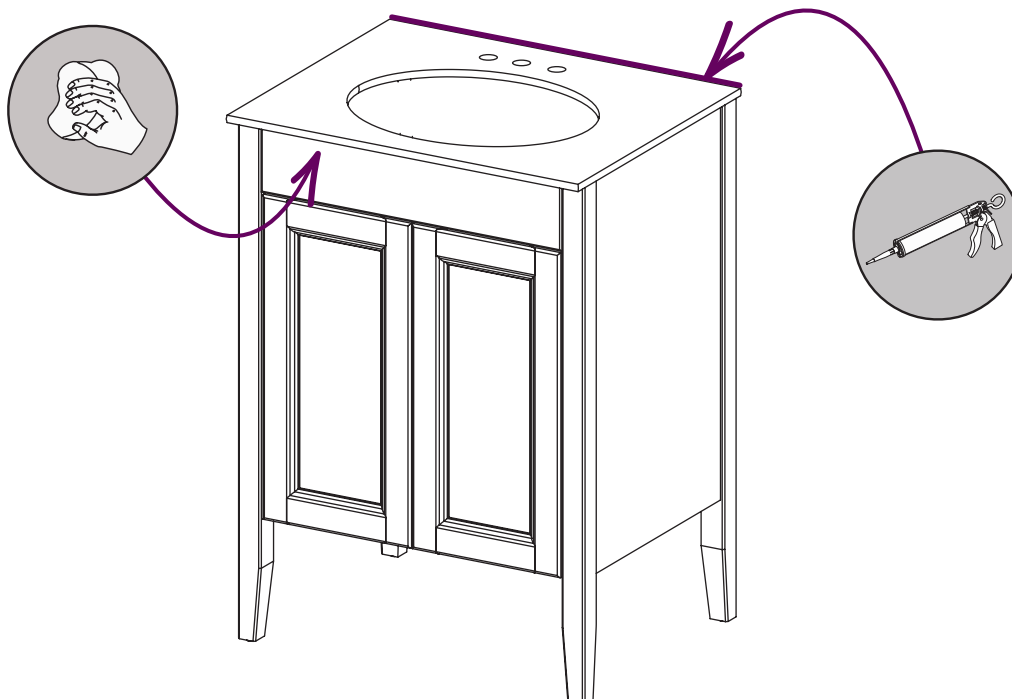
INSTALLATION OF WORKTOPS

SECURING THE WORKTOP

Once your Heritage Worktop and Undercounter Basin are ready to install, apply silicone sealant along the vanity unit before placing the worktop.



Carefully place the worktop on the unit and secure in place. Once the worktop is in the correct position, apply silicone sealant along the back of the worktop. This will prevent any water from getting behind the unit. Wipe any excess silicone sealant with a soft cloth. Refer to tap/waste instructions to complete installation.



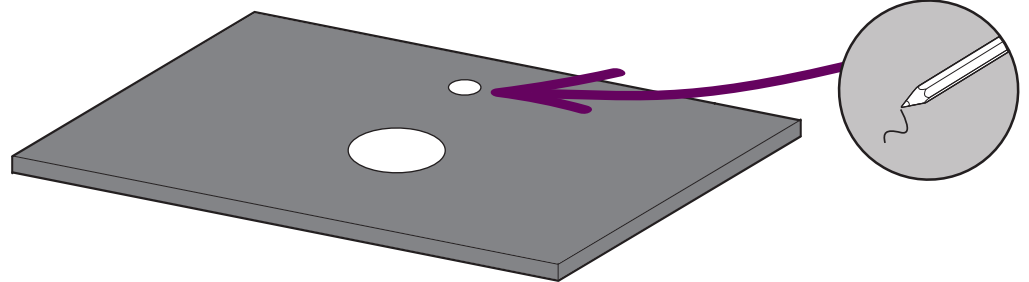
INSTALLATION OF WORKTOPS



Place your worktop on a soft surface to prevent scratches and damage.

The worktop shown in these instructions are for illustration purposes only. All products in this range can be fitted using the guide below.

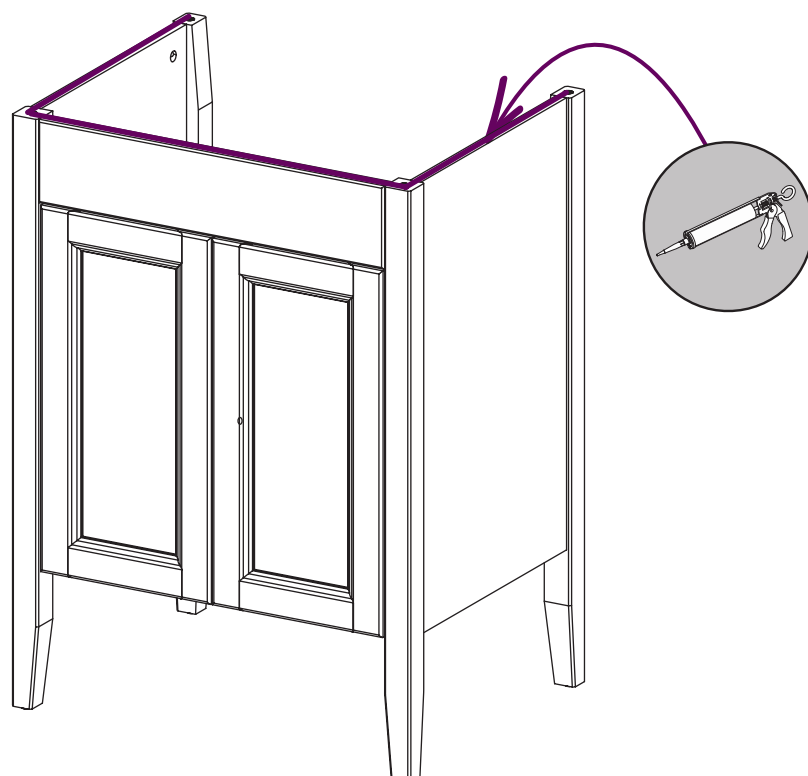
Mark your tap/vessel basin holes if required, leaving space for your taps to be connected without obstructing the basin.



Mark your tap holes if required,. A mixer tap (one hole) requires a 35mm hole, Basin taps (2 holes) require 30mm holes and 3H basin taps (3 holes) require the centre hole to be 35mm and the two outside holes to be 30mm. The PCHW14 vessel basin requires a 120mm hole.

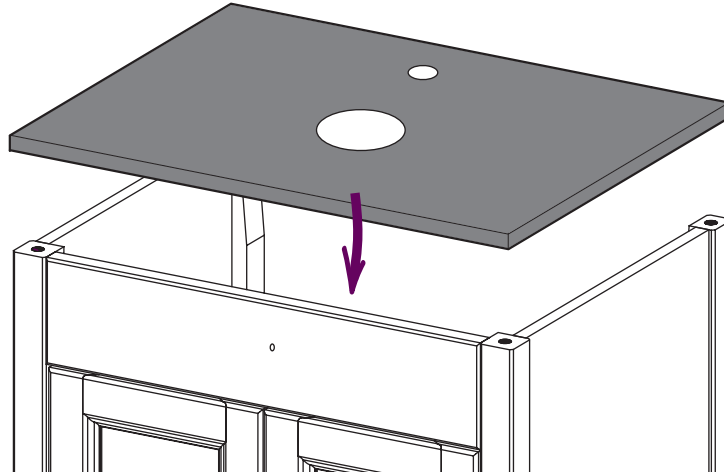
Holes must be positioned so that there is sufficient space to allow the back nut (or other fixing type) on your taps to be installed. Check that there is sufficient spout reach over the basin and space to operate the handle(s) once fitted. Use drill to cut out tap holes from the top of the worktop. We recommend using a diamond tipped hole saw drill..

Apply silicone sealant along the vanity unit before placing the worktop.

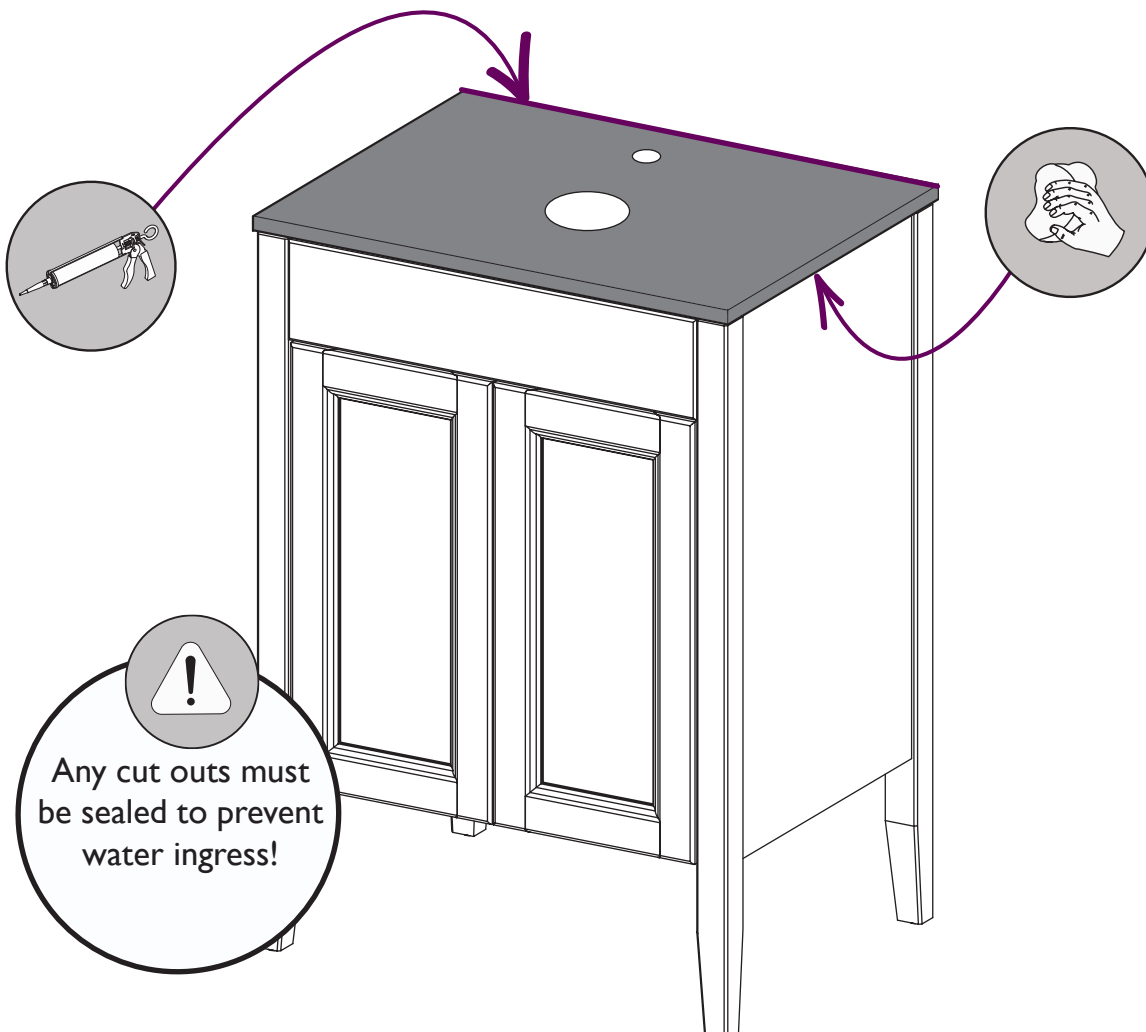


INSTALLATION OF WORKTOPS

Carefully place the worktop on the unit and secure in place.



Once the unit is in the correct position, apply silicone sealant along the back of the worktop. This will prevent any water from getting behind the unit. Wipe any excess silicone sealant with a soft cloth. Refer to basin/tap/waste instructions to complete installation.



CARING FOR YOUR PRODUCT

Your worktop has a high quality finish and should be treated with care to preserve the visible surface.

A few tips for preventing defects from forming:

When installing taps do not over tighten, as this may damage the worktop.

Take care when adjusting the tap and basin position, may result in scratching.

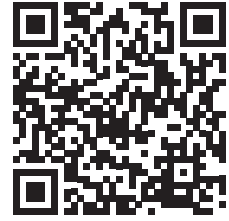
Sliding hard/sharp objects (cups, bottles etc.) across the surface, may result in scratching.

Occasionally wipe the surface with a soft damp cloth and dry with a soft dry cloth. Wipe away any spillages and excess moisture immediately.

Do not use any abrasive cleaning agents or materials, these will change the surface condition from the standard finish.

GUARANTEE

The confidence we have in the quality of our products and services enables us to offer a free peace-of-mind product guarantee from 2 years up to a lifetime guarantee against any manufacturing faults, with proof of purchase. In addition, our attentive customer service team are available to help solve any problems which may arise quickly and effectively so you can enjoy your bathroom.



To see the specific guarantee for this product, visit the following URL or QR Code.

<http://www.heritagebathrooms.com/service-centre/guarantee>

NOTES

NOTES

HERITAGE[®]

BATHROOMS

We love to see how Heritage products are used so please keep in touch and share pictures of your new bathroom with us.



@heritagebathrooms

If you have any queries, our dedicated customer service teams and products experts are available to help.

Email us enquire@heritagebathrooms.com Call us 0330 026 8503 Website www.heritagebathrooms.com

Heritage Bathrooms

UK: Bristan Group, B78 ISG.
EU: Masco Europe S.à.r.l.
14 Rue Strachen
6933 Mensdorf
Luxembourg

A Masco Company