

HERITAGE

BATHROOMS

Installation Guide



Models Covered:

Basins fitted to Pedestals and
Semi-Pedestals

Please keep this booklet for future
reference.

Installer: When you have read these
instructions, please ensure you leave them
with the user.

INTRODUCTION

Thank you for buying a Heritage Product. When you buy a Heritage product, you can be confident that it not only features a beautiful, distinctive, classic design, but that it has also been made to the very highest quality standards.

To ensure that it works to its full potential, it needs to be fitted correctly.

These fitting instructions have been created to give you all of the information you need and, if you need any further help, please do not hesitate to give us a call on: **0330 026 8503**.

CONTENTS

SAFETY NOTES	3
INSTALLER GUIDELINES	4
TOOLS REQUIRED	4
INSTALLATION - PEDESTAL	5-7
INSTALLATION - SEMI PEDESTAL	8-10
CARING FOR YOUR PRODUCT	11
GUARANTEE	11
NEED HELP?	11



SAFETY NOTES

Please make sure you read these instructions and retain for future use.

All products manufactured by Heritage Bathrooms are safe, providing they are installed and used correctly and also receive maintenance when needed.

Basins, including the connecting water and waste system need to be installed in accordance with and meet the requirements of the Water Supply Regulations 1999 (Water Fittings) and current by-laws. If you are in doubt about your ability to install this product correctly or safely, you should employ the services of an experienced qualified plumber.

This product must not be modified in any way otherwise this will invalidate the guarantee.

Consider the following whilst using power tools:

- Prior to drilling into walls, check there are no hidden electrical cables or wires and there are also no water pipes. These can potentially be found using an electrical or metal detector. You may also need to know some of the schematics of previous installations to determine the suitability and accommodation of the installation.
- Wear the correct PPE, especially ear, eye and hand protection when using power tools. Unplug any mains equipment after use.
- Keep electrical equipment away from sources of water.
- If a blow-lamp is used when plumbing, the flame must be kept well away from the product otherwise damage may occur.

Basins can be heavy; a lifting aid or second person at minimum will be required to measure and manoeuvre safely. Ensure the wall the product is being fitted to has enough reinforcement to support the weight of the basin and pedestal.



INSTALLER GUIDELINES

Consider and plan the installation of your basin taps and waste whilst installing this basin. They may have to be pre-fitted before fitting to the wall. Careful planning is also required to ensure the waste and water supply pipes are contained within the confines of the pedestal.

Use wall fixings suitable for your wall construction (not supplied). Plasterboard or stud walls can be screwed directly into the timber frame, but may require specialist fixings to secure the basin. Appropriate wall plugs will need to be used for any masonry walls. Make sure to use a plastic or rubber washer between the ceramic surface and the screw. Do not over-tighten wall fixings, taps or wastes to the basin as this may damage the ceramic surface.

Installing this product requires experience within plumbing. No responsibility will be taken for poor workmanship resulting in leaks and injuries. Please ensure that the installation and accommodation is designed with future serviceability of the product in mind. It is strongly advisable to fit isolation valves before the water fixtures in case isolation is required at any point during maintenance.

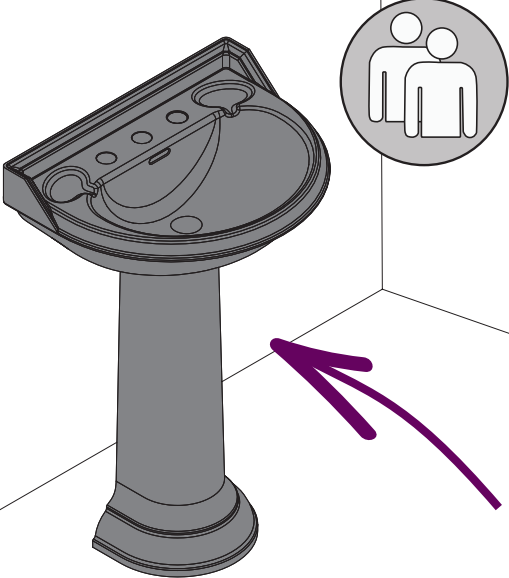
Failure to observe crucial information in these fitting instructions will nullify your guarantee. In the event a future claim is made under the product warranty, compensation costs may be affected if the ability to service the product has not been considered in the original design.

Please Note: Your semi-pedestal is not a load-bearing fixture after installation. Make sure the appropriate fixings are used to secure the basin to ensure the weight is supported.



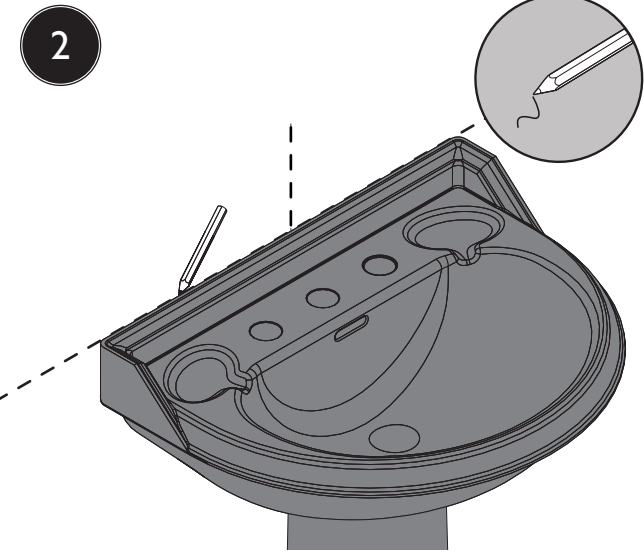
INSTALLATION - PEDESTAL

1



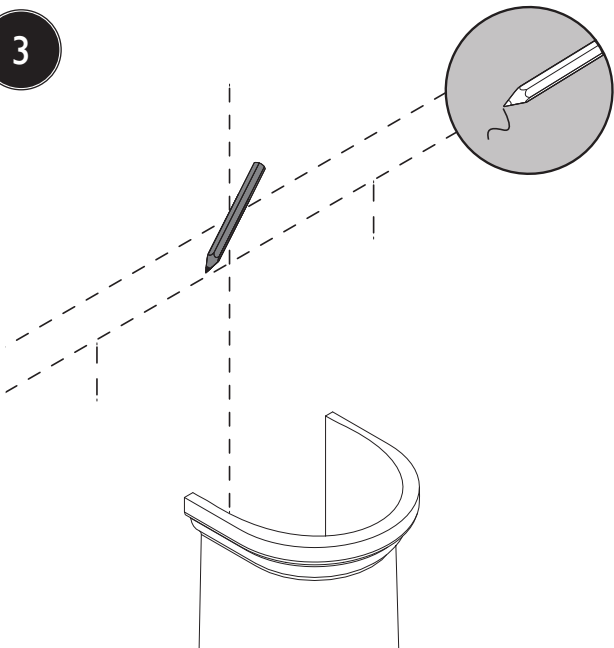
Place the basin on the pedestal and move to the required position in your bathroom. Ensure the basin is correctly positioned on the pedestal, the basin and pedestal are level, and the back of the basin is in full contact with the wall.

2



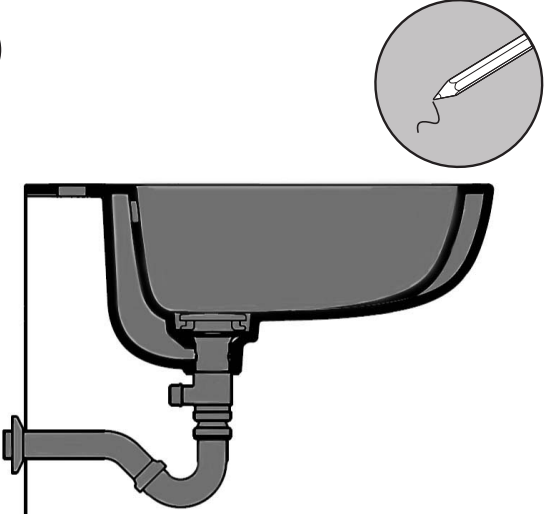
Mark the centre of the basin on the wall. Make a horizontal line along the back edge of the basin and trace along the outer edge of the pedestal. Mark the position of the bolt/screw holes on the basin and pedestal.

3



Remove the basin. Draw a horizontal line through the bolt/screw holes and carry the centre line down until it meets the bolt/screw holes on the basin.

4

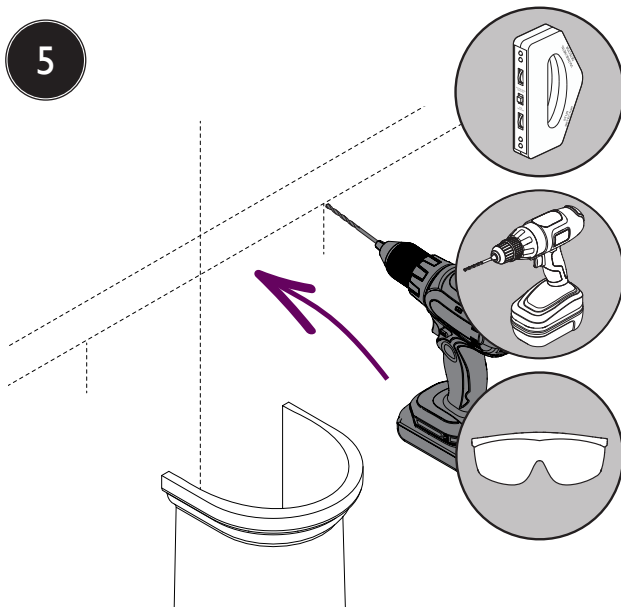


Refer to your tap and waste instructions to install these on to the basin, including the waste trap. Place the basin back on to the pedestal and mark on the wall the locations of the waste pipework and the hot and cold connections.



INSTALLATION - PEDESTAL

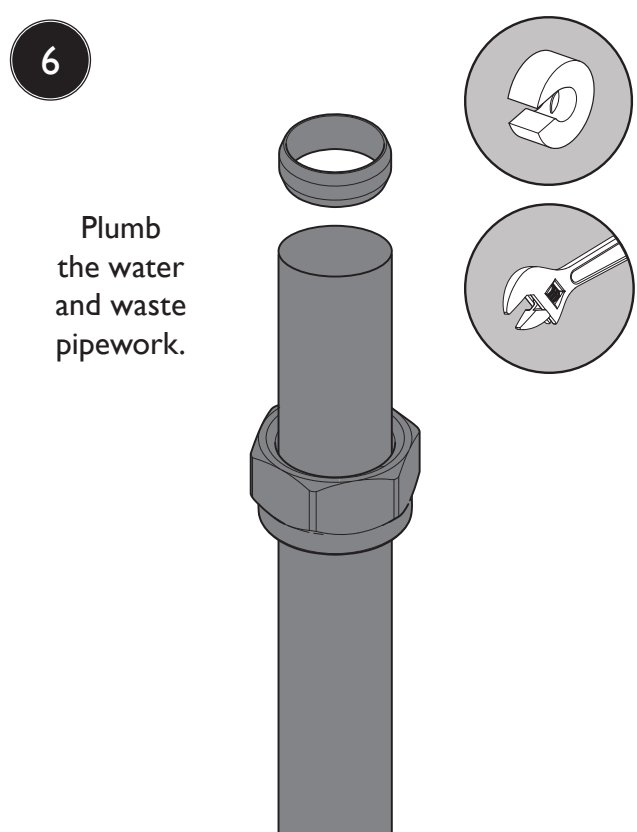
5



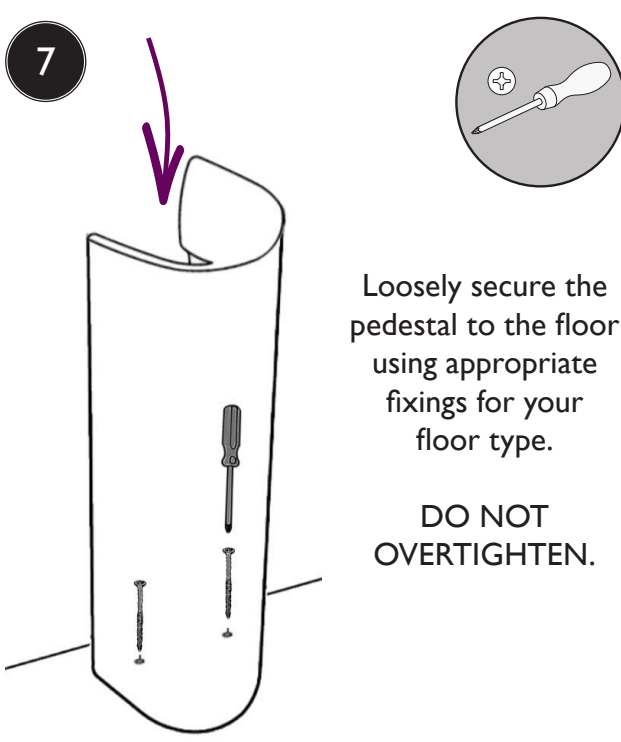
Drill each fixing hole, taking into account the screws and wall plugs (not supplied). Install the threaded bolts if bolt fixings are supplied. If necessary, also drill the holes required for any pipework.

6

Plumb the water and waste pipework.



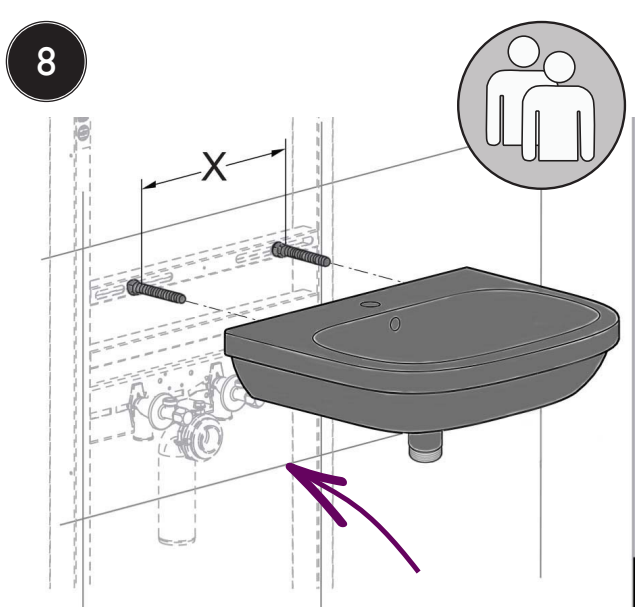
7



Loosely secure the pedestal to the floor using appropriate fixings for your floor type.

DO NOT OVERTIGHTEN.

8

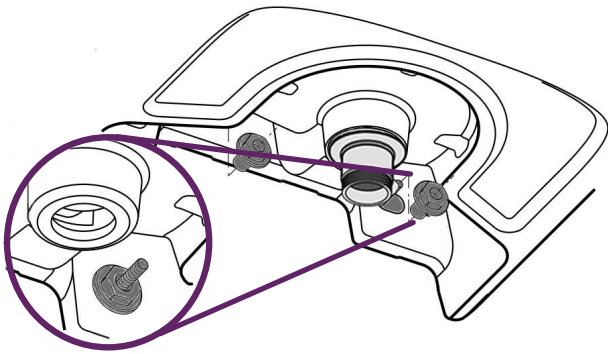


Locate the basin back on to the pedestal, hold in place.



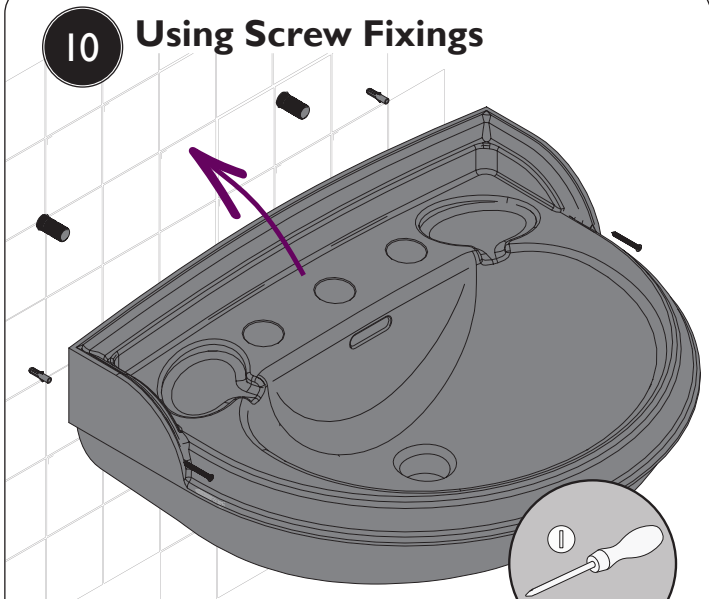
INSTALLATION - PEDESTAL

9 Using Bolt Fixings



Secure the basin with nuts and washers.

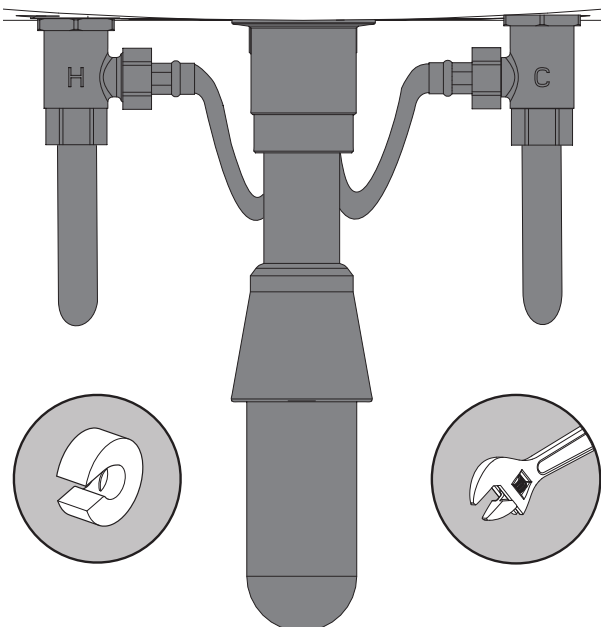
10 Using Screw Fixings



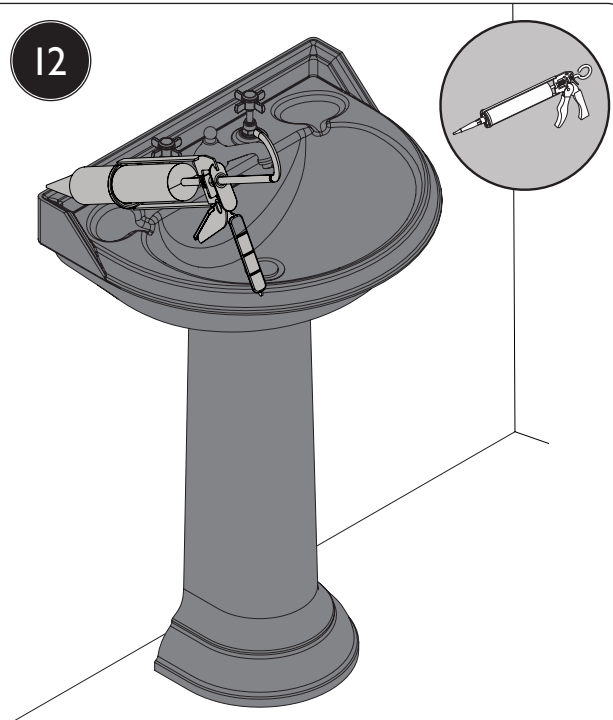
Secure the basin to the wall using appropriate fixings for the wall type that can support the weight of the basin.

11

Connect your water and waste pipework. Turn on the water supply at the isolation valve and check for leaks.



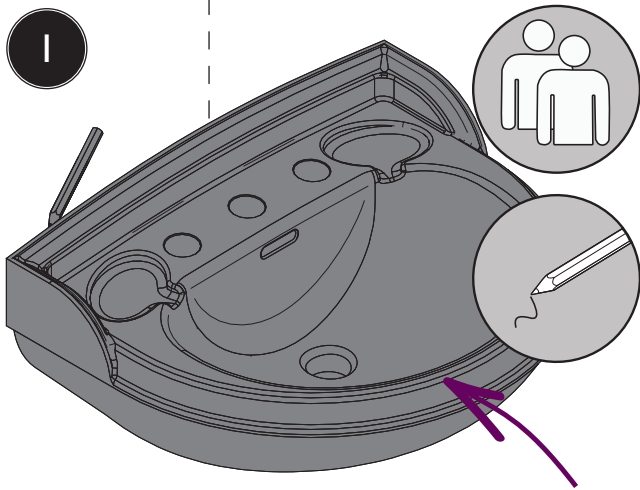
12



Use a suitable silicon sealant around the back of the basin to keep watertight.

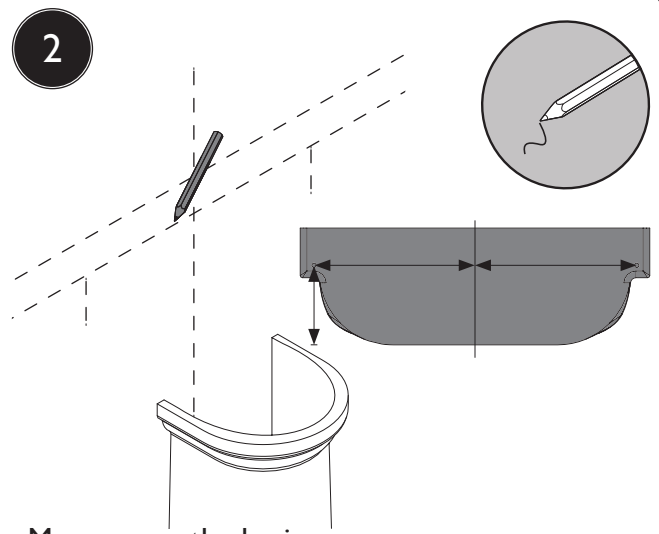


INSTALLATION - SEMI PEDESTAL



1

Place the basin in the desired location in your bathroom. Ensure the basin is level, and the back of the basin is in full contact with the wall. Using a pencil, mark the centre of the basin on its tap ledge, extend this line up where it meets the wall. Make a horizontal line along the back edge of the basin and trace along the bottom of the basin.

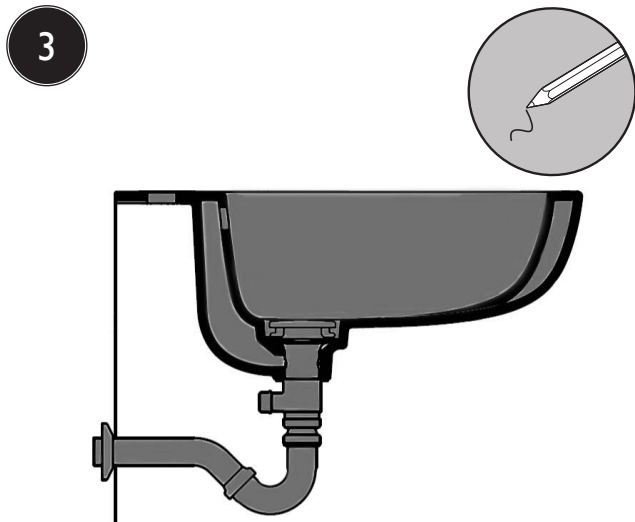


2

Measure on the basin:

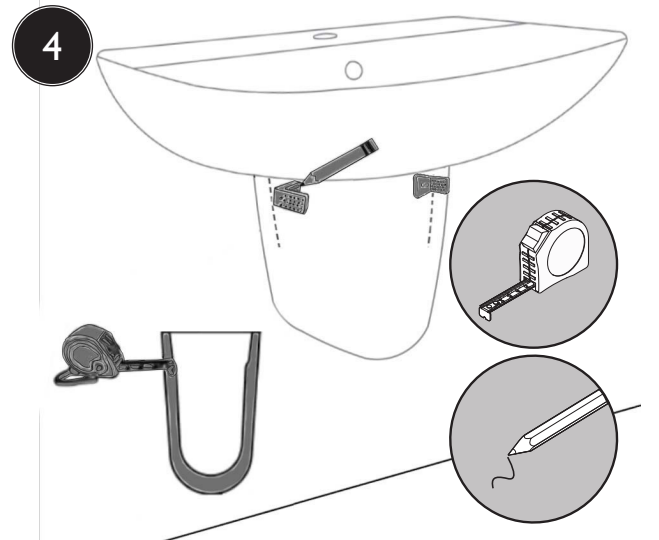
- the vertical distance from the centre tap ledge to the centres of the fixing holes
- the distance from the centre line to the centres of each fixing hole.

Transfer these measurements on to the wall using the bottom centre of the inverted 'T' as a starting point.



3

Refer to your tap and waste instructions to install these on to the basin, including the waste trap. Place the basin back in its position and mark on the wall the locations of the waste pipework and the hot and cold connections.



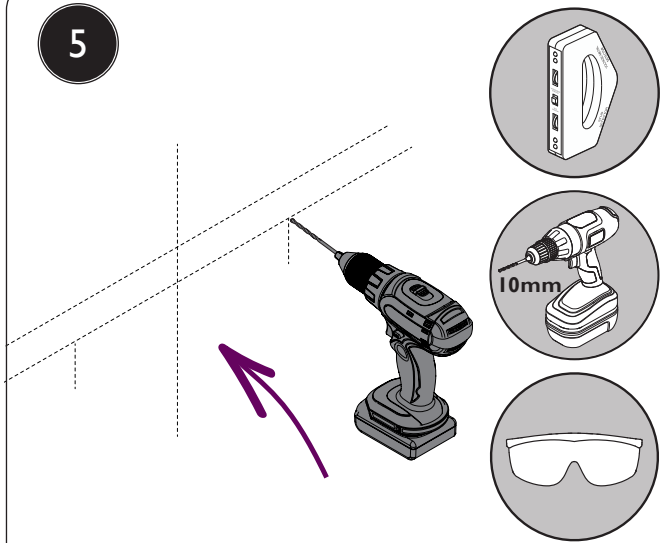
4

Place your semi-pedestal in position. Trace around the outer edge and mark the position of the fixing holes. Measure the internal width of the ceramic at the back of the pedestal and add the inner line to mark the Pedestal Plumbing Area. Make sure your waste and water connections are in this area.



INSTALLATION - SEMI PEDESTAL

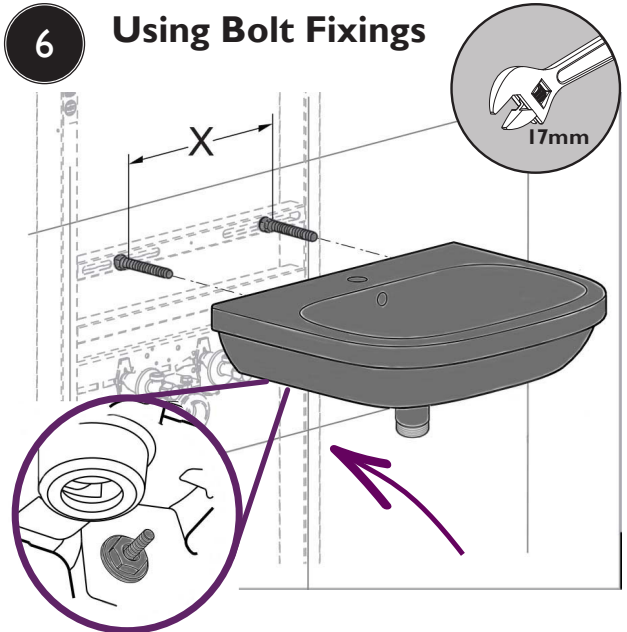
5



Drill each fixing hole for the basin and pedestal, taking into account the screws and wall plugs (not supplied). Install the threaded bolts if bolt fixings are supplied. If necessary, also drill the holes required for any pipework.

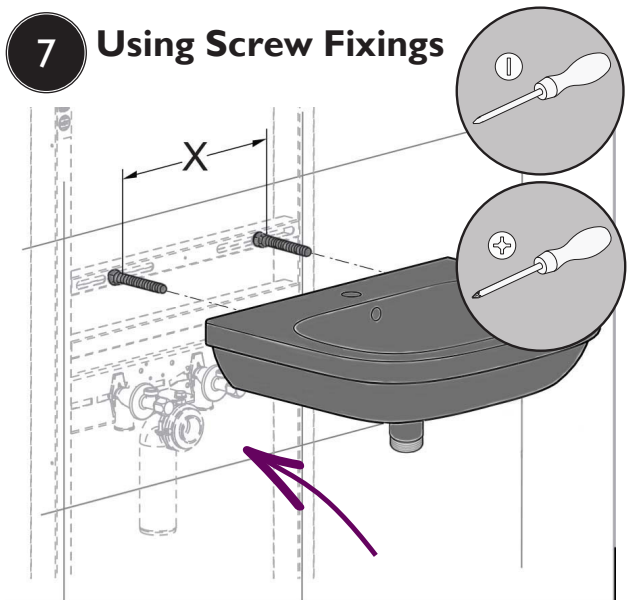
6

Using Bolt Fixings



Locate the basin on to the threaded bolts. Ensure the basin is level and secure with nuts and washers.

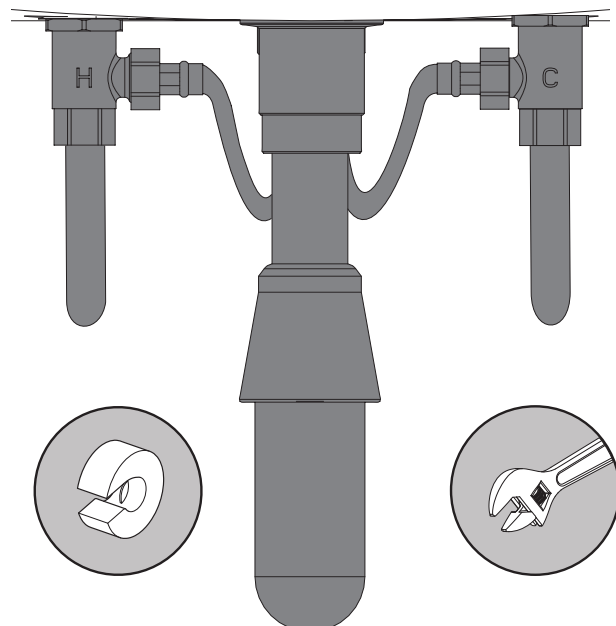
7 Using Screw Fixings



Locate the basin on to the threaded bolts. Ensure the basin is level and secure the basin to the wall using suitable fixings to support the weight of the basin.

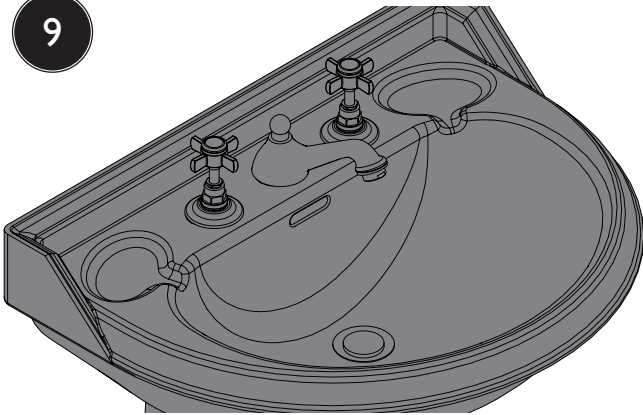
8

Plumb the water and waste pipework and connect to your waste and tap fixings.



INSTALLATION - SEMI PEDESTAL

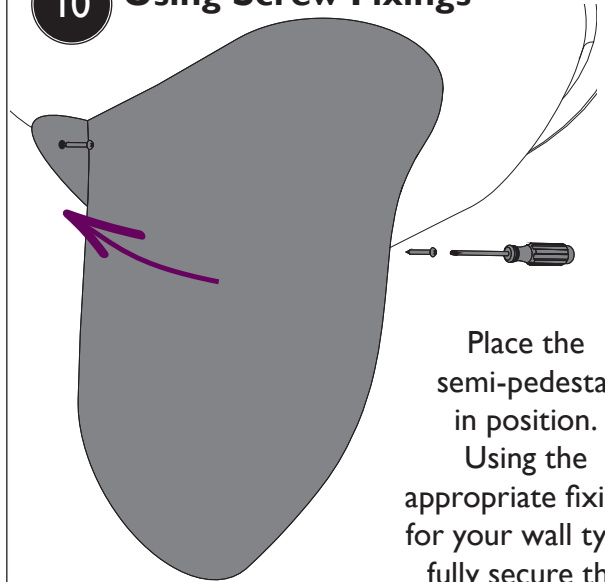
9



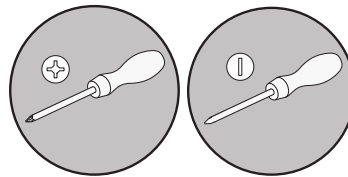
Turn on the water supply at the isolation valve and check for leaks.

10

Using Screw Fixings

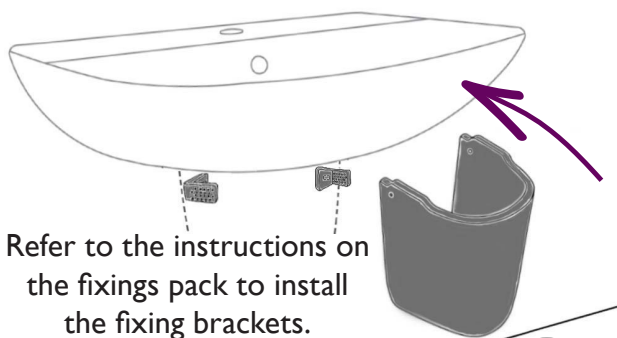
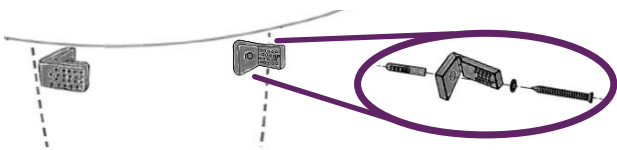


Place the semi-pedestal in position. Using the appropriate fixings for your wall type, fully secure the pedestal to the wall.



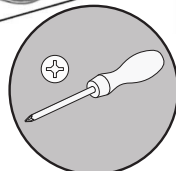
11

Using Fixing Brackets

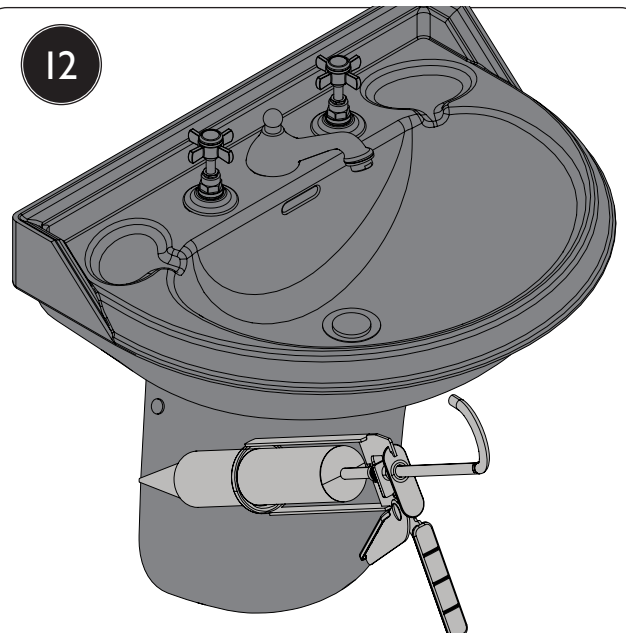


Refer to the instructions on the fixings pack to install the fixing brackets.

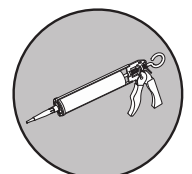
Put the semi-pedestal in position and secure using screws and caps.



12



Use a suitable silicon sealant around the back of the basin and around the edge of the pedestal to keep watertight.



CARING FOR YOUR PRODUCT

Heritage products are made from premium materials, with hand polishing and electroplated finishes.

Your product should be regularly cleaned with warm water, a mild pH-neutral liquid soap, and polished with a soft cloth. Any residues from soap, toiletries etc. should be rinsed off straight after use.

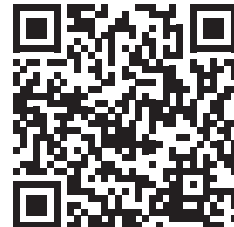
Household bleaches and cleaners contain harsh chemicals and may damage the surface finish. Avoid using abrasive cloths, scouring pads, scrub sponges, steel wool or anything similar.

GUARANTEE

The confidence we have in the quality of our products and services enables us to offer a free peace-of-mind product guarantee from 2 years up to a lifetime guarantee against any manufacturing faults, with proof of purchase. In addition, our attentive customer service team are available to help solve any problems which may arise quickly and effectively so you can enjoy your bathroom.

To see the specific guarantee for this product, scan the QR Code or visit the following URL:

<https://www.heritagebathrooms.com/service-centre/guarantee>



NEED HELP?

In the unlikely event that you encounter a problem with your Heritage product, you must, in the first instance, contact the retailer you purchased it from. They will advise as to whether it is due to a manufacturing fault or an installation fault. If the problem is due to a manufacturing fault, they will contact us to arrange a supply of a replacement product as soon as possible. To speak to a Heritage customer service advisor, please contact our technical helpline on **0330 026 8503**.



HERITAGE[®]

BATHROOMS

We love to see how Heritage products are used so please keep in touch and share pictures of your new bathroom with us.



@heritagebathrooms

If you have any queries, our dedicated customer service teams and products experts are available to help.

Email us enquire@heritagebathrooms.com Call us 0330 026 8503 Website www.heritagebathrooms.com

UK: Heritage Bathrooms, Pooley Hall Drive, Birch Coppice Business Park, Dordon, Tamworth B78 1SG

EU: Masco Europe S.à.r.l., 14 Rue Strachen, 6933 Mensdorf, Luxembourg.