

HERITAGE

BATHROOMS



INSTALLATION GUIDE

MODELS COVERED:
Semi-Recessed Basins

Please keep this booklet for future reference.

Installer: When you have read these instructions, please ensure you leave them with the user.

INTRODUCTION



Thank you for buying a Heritage Product. When you buy a Heritage product, you can be confident that it not only features a beautiful, distinctive, classic design, but that it has also been made to the very highest quality standards.

To ensure that it works to its full potential, it needs to be fitted correctly.

These fitting instructions have been created to give you all of the information you need and, if you need any further help, please do not hesitate to give us a call on: **0330 026 8503**.

CONTENTS



Safety Notice	3
Installer Guidelines	3
Installation	4-5
Caring for your product	6
Guarantee.....	6
Notes	7

SAFETY NOTES



Please read these instructions and retain for future use.

All products manufactured and supplied by Heritage are safe, provided they are installed correctly, used correctly, and receive regular maintenance in accordance with these instructions.

If you are in any doubt about your ability to install this product safely you must employ the services of a competent person who has experience of fitting products of this nature.

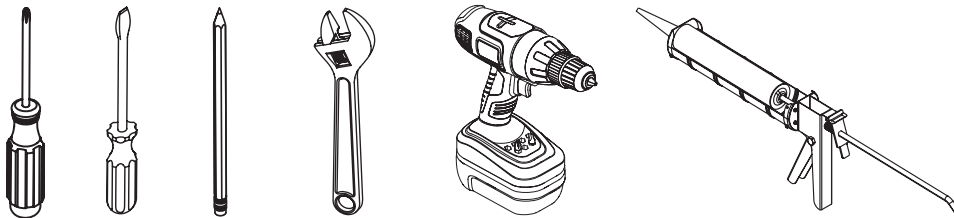
 Before starting any installation project please consider the following:

- Prior to drilling into walls, check there are no hidden electrical wires or cables or water supply pipes with the aid of an electrical detector.
- If you use power tools do not forget PPE:
 - Wear eye protection.
 - Unplug equipment after use.
- Keep electrical equipment away from sources of water.
- This product must not be modified in any way as this will invalidate the guarantee.
- Basins, including the connecting water and waste system need to be installed in accordance with and meet the requirements of the water supply regulations 1999 (Water Fittings) and Scottish By-Laws 2004.
- If a blow lamp is used when plumbing, the flame must be kept away from the basins otherwise damage may occur.

INSTALLER GUIDELINES



Tools Required



The installation of this product greatly depends on the floor being level. If this is not the case, it must be corrected before installation.

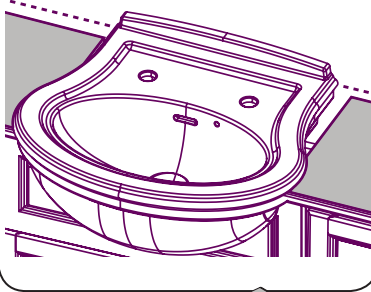
All units should be assembled and fitted using instructions and installation guidelines provided. Any screws and other fixings used must be suitable for the installation situation. (Brick, Block, Plaster or Dot & Dab) and provide adequate support to the units when loaded.

Keep an eye out for the **‘INSTALLER TIPS’** throughout the instructions for helpful advice.

INSTALLATION

INSTALLER TIPS

When fitting the basin, make sure to allow enough space for worktop to fit under basin.



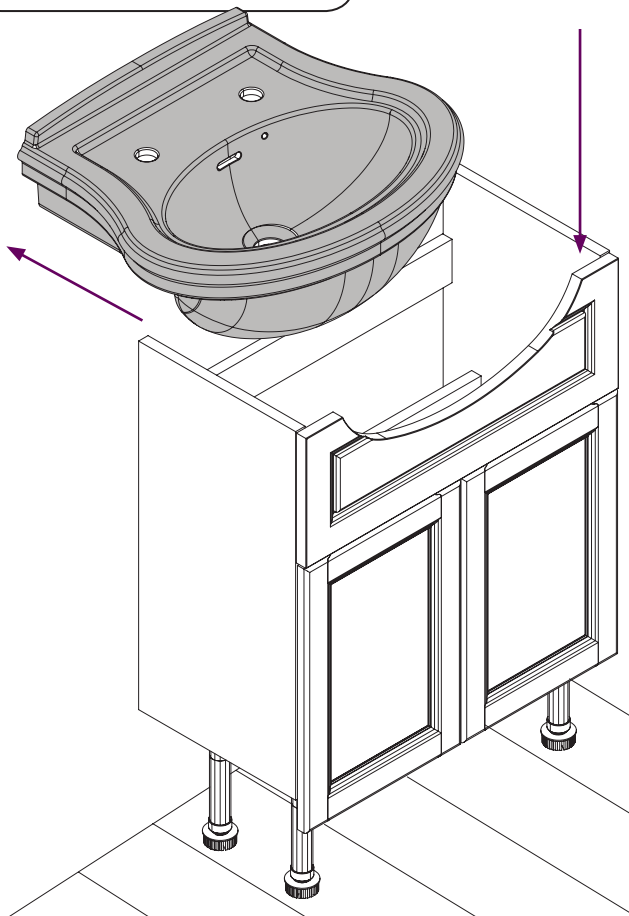
SEMI-RECESSED BASIN

The *Claverton*, *Dorchester* and *Granley* basins will secure to the wall the same way. Firstly, position the basin onto the vanity unit and in turn position the assembly in the required position against the wall.

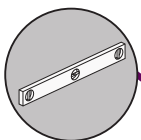
Then while the basin is in position mark out the position of the screw holes. Remove the bowl and drill pilot holes and fit rawl plugs

IMPORTANT

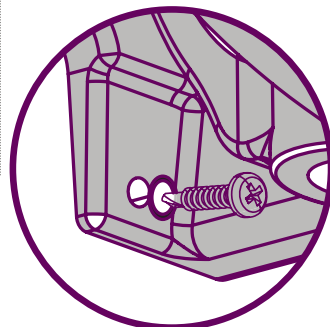
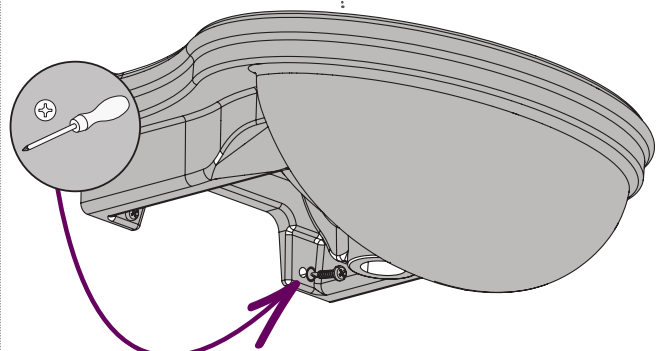
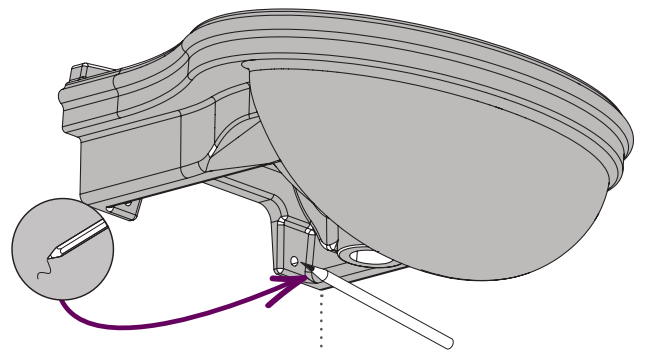
Suitable load bearing screws should be used to secure the basin to the wall



Floor should be true to aid with installation of furniture and basin.



4



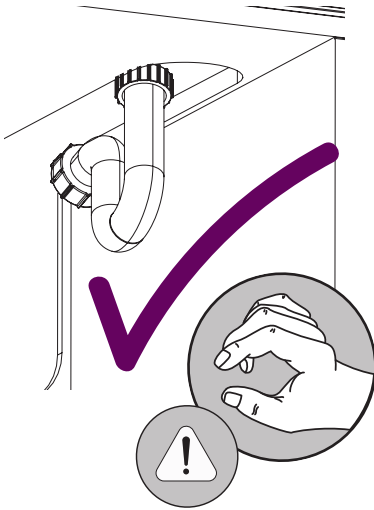
View of fixing holes from underneath

INSTALLATION



GOOD TO KNOW

Access to waste connections via the main door of the vanity unit.

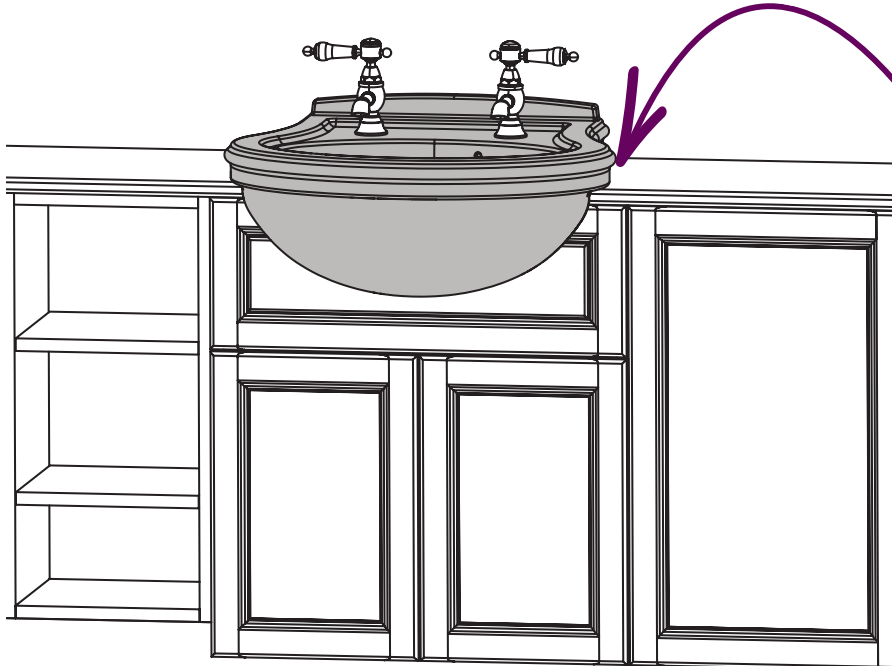
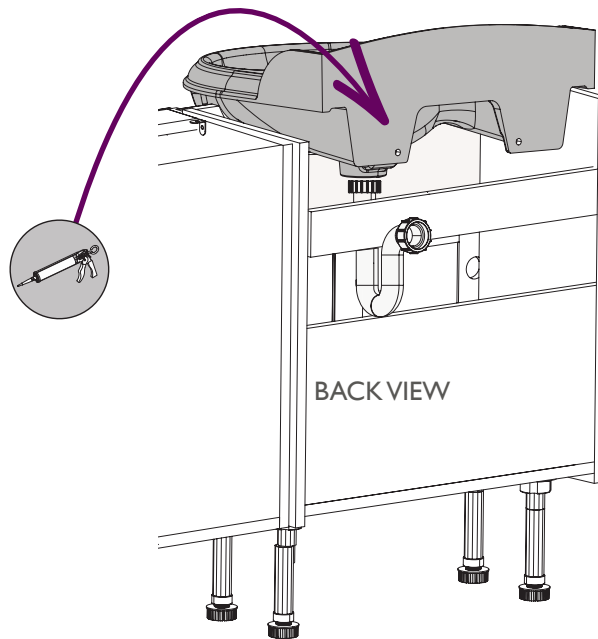


Over tightening fittings, especially wastes can cause pressure cracks in the porcelain.

Put the vanity unit back into position and secure it to the wall, but do not fully tighten yet.

Apply a generous amount of silicone sealant to the underside section and back of the bowl that will come into contact with the wall.

Secure the bowl to the wall, again using brass screws, that are suitable load bearing and cup washers, and tighten the vanity to the wall.



Remove the excess silicone sealant immediately

CARING FOR YOUR PRODUCT



Your fitting has a high quality finish and should be treated with care to preserve the surface.

- All surface finishes will wear if not cleaned correctly.
- The only safe way to clean your product is to wipe with a soft damp cloth. Any stains can be removed using washing up liquid.
- Do not use cleaning powders or liquids.
- Even non-scratch cleaners may damage the surface of your fitting.
- Clean the porcelain immediately after use to avoid build up of residue which will be harder to remove after time.

GUARANTEE



The confidence we have in the quality of our products and services enables us to offer a free peace-of-mind product guarantee from 2 years up to a lifetime guarantee against any manufacturing faults, with proof of purchase. In addition, our attentive customer service team are available to help solve any problems which may arise quickly and effectively so you can enjoy your bathroom.



To see the specific guarantee for this product, visit the following URL or QR Code.

<https://www.heritagebathrooms.com/service-centre/guarantee>

NOTES



HERITAGE[®]

BATHROOMS

We love to see how Heritage products are used so please keep in touch and share pictures of your new bathroom with us.



@heritagebathrooms

If you have any queries, our dedicated customer service teams and products experts are available to help.

Email us enquire@heritagebathrooms.com Call us 0330 026 8503 Website www.heritagebathrooms.com

Heritage Bathrooms Pooley Hall Drive, Birch Coppice Business Park, Dordon, Tamworth B78 1SG