

BRISTAN

&

HERITAGE[®]

BATHROOMS

Front & Top Access Wall Hung Frame with Concealed Cistern

Installation Instructions & User Guide




Please keep these instructions for future reference and request of replacement parts

Contents

Thank you for choosing this product from , the UK's leading taps and showers expert. We have designed this product with your enjoyment in mind. To ensure that it works to its full potential , it needs to be fitted correctly. These fitting instructions have been created to give you all of the information you need, and if you need any further help please do not hesitate to contact us. Please see the back page of this booklet for contact details.

Important Safety Information	03
Installation	04 – 18
Maintenance	20

Important Safety Information

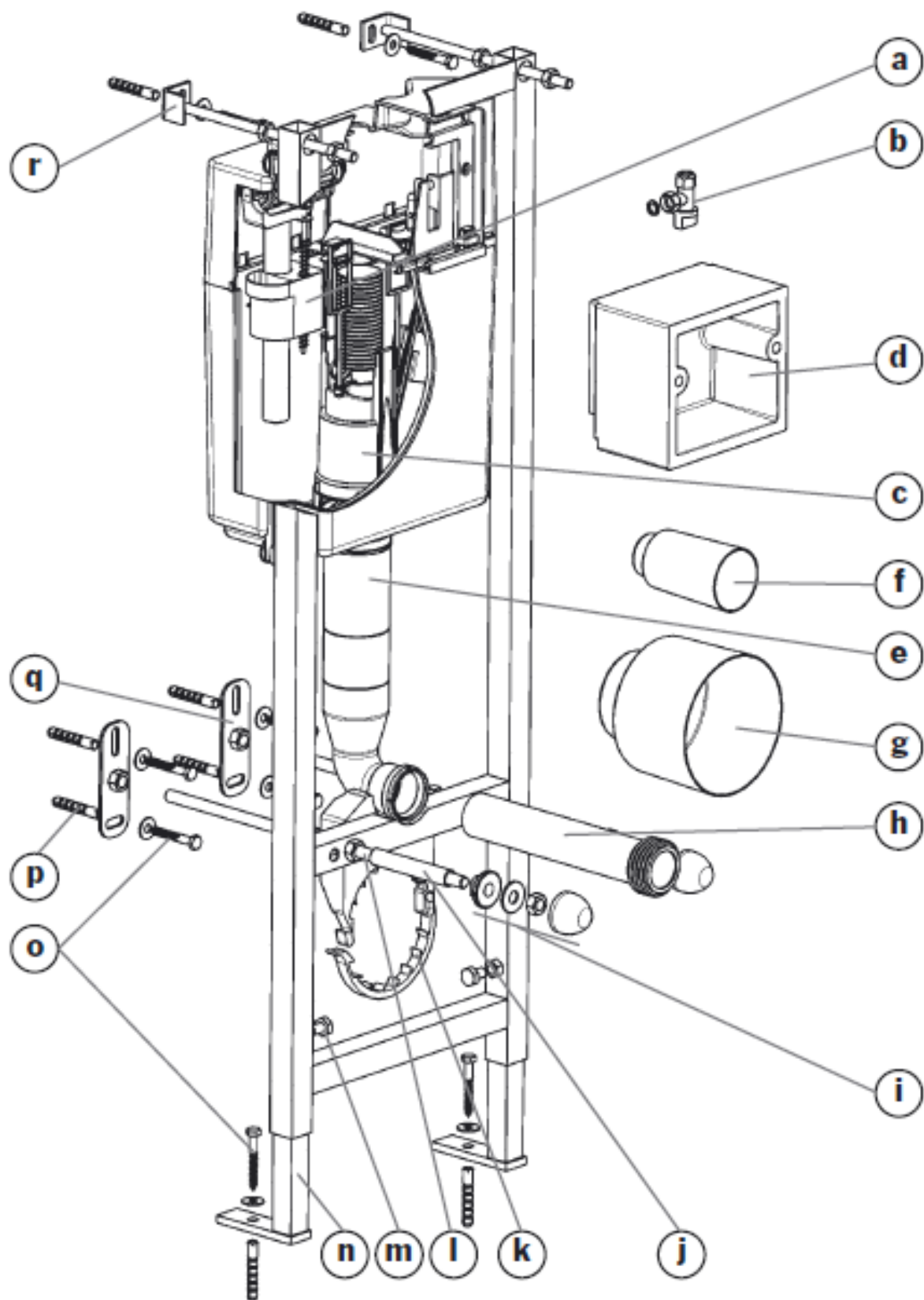
- Please read these instructions thoroughly and retain for future use.
- All products manufactured and supplied are safe provided they are installed correctly, used correctly and receive regular maintenance in accordance with these instructions.
- If you are in any doubt about your ability to install this product safely you must employ the services of an experienced qualified plumber.
- Remove all packaging and check the components for damage before starting installation.
-  Before starting any installation please consider the following: Prior to drilling into walls/floors, check that there are no hidden electrical wires, cables or water supply pipes. This can be checked with the aid of an electronic detector.

- If power tools are used do not forget to:
 - Wear eye protection
 - Unplug equipment after use
- This product **must** not be modified in any way as this will invalidate the guarantee.
- These fittings need to be installed in accordance with and meet the requirements of the Water Supply (Water Fittings) Regulations 1999 and Scottish Byelaws 2004.

INSTALLATION INSTRUCTIONS



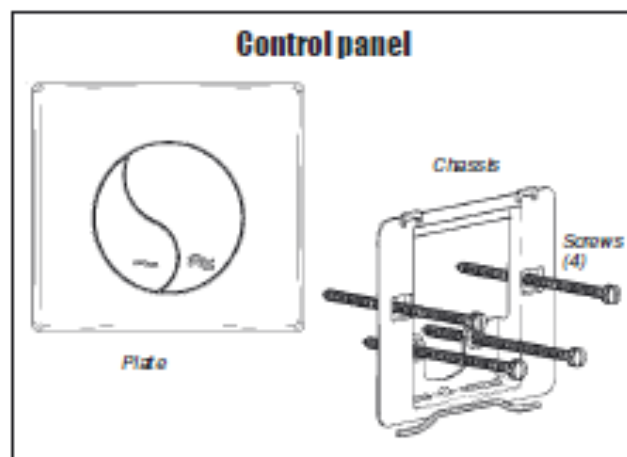
DESCRIPTION



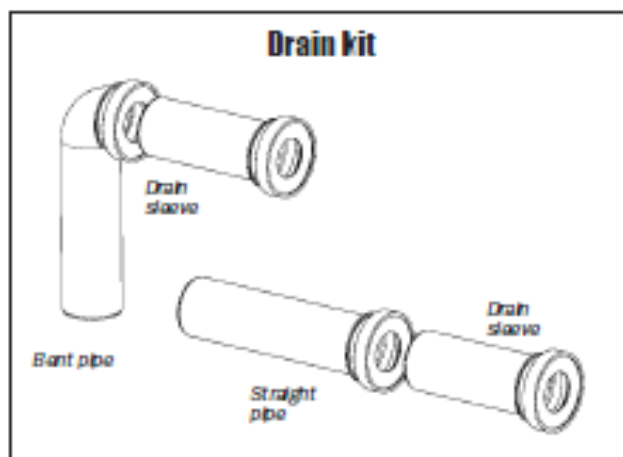
- (a) Float valve
- (b) Stopcock with fibre joint
- (c) Mechanism
- (d) PSE template
- (e) Supply bend
- (f) Supply bend cap
- (g) Toilet pipe cap
- (h) Supply sleeve
- (i) Bowl attaching kit

- (j) Flexible sheaths (x 2)
- (k) Pipe attaching collar
- (l) Toilet bowl attaching rods (x 2)
- (m) Setscrew (x 2)
- (n) Adjustable foot (x 2)
- (o) Screw plug (x 8)
- (p) Plug (x 8)
- (q) Toilet bowl stud attaching tab (x 2)
- (r) Attaching bracket (x 2)

ACCESSORIES



White single volume plate	Ref. 31 1830-10
Chrome double volume plate	Ref. 31 1880-10
White double volume plate	Ref. 31 1800-10
Chrome double volume plate	Ref. 31 1850-10



Bent drain kit	Ref. 92 4000-07
Straight drain kit	Ref. 92 4010-07

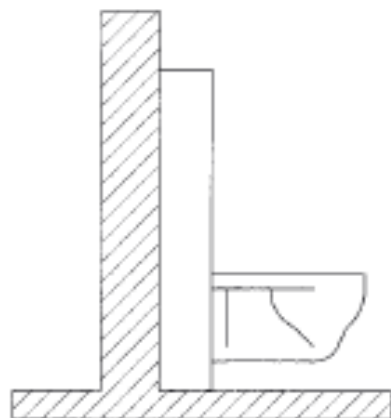
Tools required:

- Set of wrenches from 8 to 19 mm
- Hack saw
- Electric drill + bit dia 10 mm
- Spirit level
- Pencil + ruler
- Tape measure
- Hammer
- Screw driver

Advice:

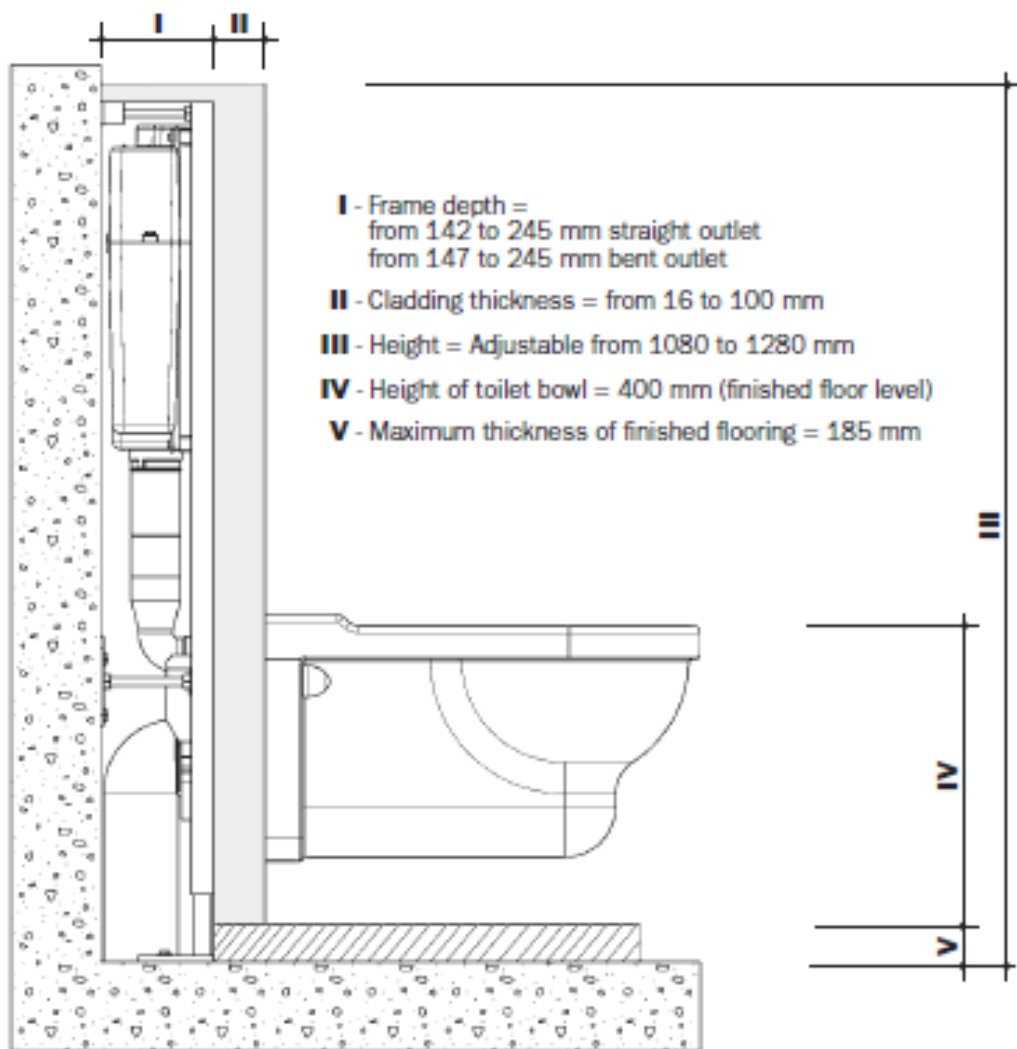
- Keep the product package during installation: there is a cutting template on the back
 - Keep these instructions safety for any maintenance operations.
- ⚠ Read bowl and toilet seat instructions before installing the cistern frame.

INSTALLATION TYPES

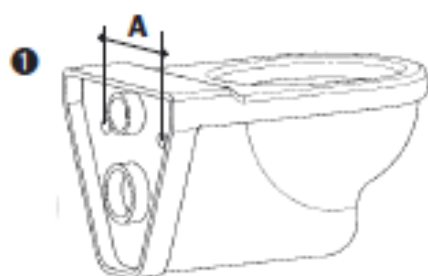


❶ Wall fixing

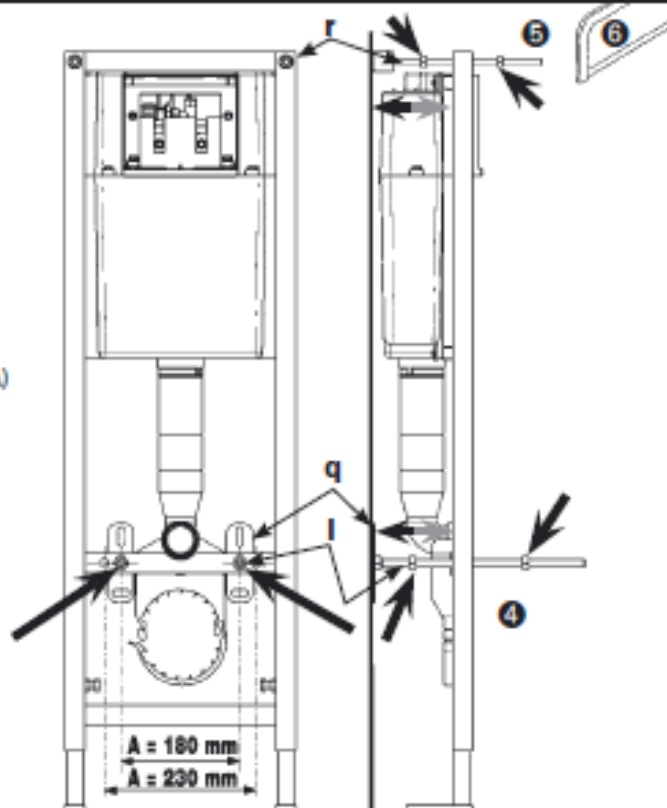
EFFECTIVE DIMENSIONS



I - ASSEMBLING THE TOILET BOWL ATTACHING RODS AND WALL FIXING

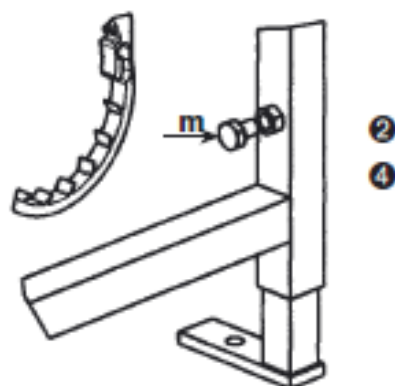
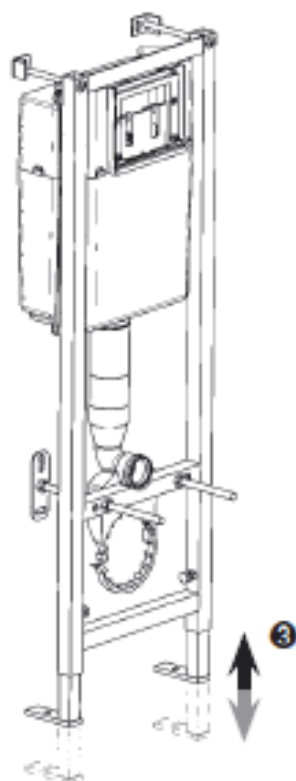


2



- 1 Measure the center distance of the toilet bowl (A)
- 2 Insert the rods (l) into the holes of the frame, corresponding to the center distance
- 3 Position the frame in place
- 4 Secure the attaching tabs (q) to the rods (l), position the assembly against the wall and lock with the nuts.
- 5 Position the wall mounting bracket (r) against the wall and attach it with the nuts, first checking that the frame is vertically level
- 6 Use a hacksaw to cut the threaded rods of the bracket protruding from the frame

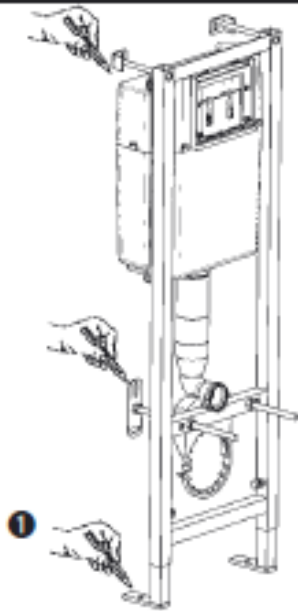
II - ADJUSTMENT OF THE FRAME HEIGHT



- 1 Position the frame in its final location
- 2 Undo the 2 setscrews (m)
- 3 Adjust the height of the feet so that the top of the toilet bowl is at a height of 400 mm from the finished floor level.
- 4 Check that the frame is level (vertically and horizontally) and tighten the setscrews

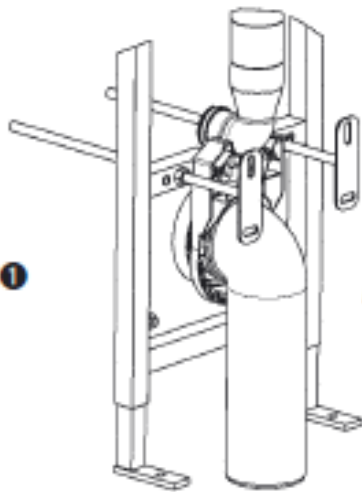
⚠ If the frame is being attached to an unfinished floor surface, the maximum thickness of the finished floor surface shall not be more than 185 mm.

III - PREPARING FOR ATTACHMENT



- ❶ Mark the drilling points (6 for wall and 2 for floor)
- ❷ Remove the frame and drill to a depth of 70 mm at the least, using an 10 mm diameter drill bit
- ❸ Position the screw plugs in the holes
- ❹ Move the frame back in place and connect the drain pipe

IV - CONNECTING THE DRAIN OUTLET



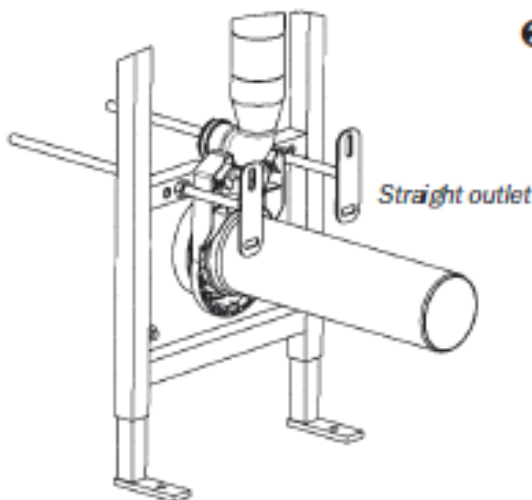
Bert outlet

- ❶ Attach the collar (k)
- ❷ Position the drain outlet pipe
- ❸ Tighten the collar (k)

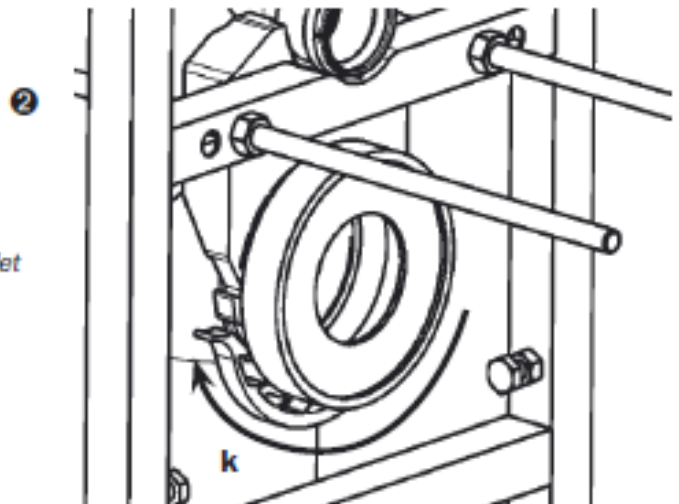
⚠ Before gluing the drain outlet pipe to the main drain pipe, ensure that the frame is correctly positioned.

If the drainpipe is not opposite the outlet pipe, the connection can be made using PVC bends and couplings.

or

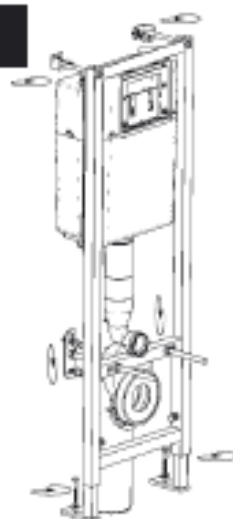


Straight outlet

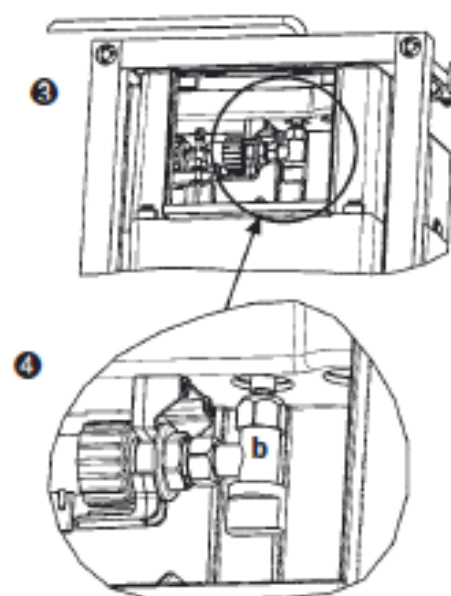
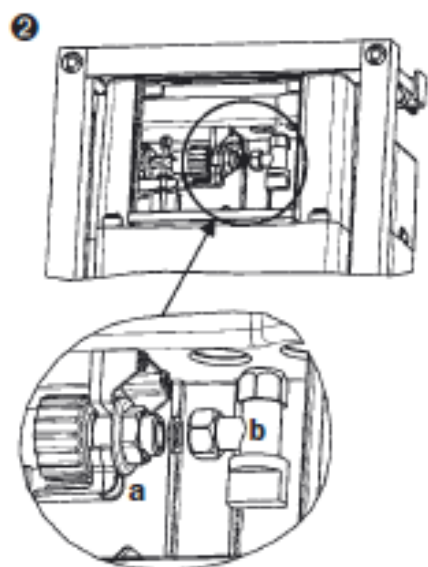
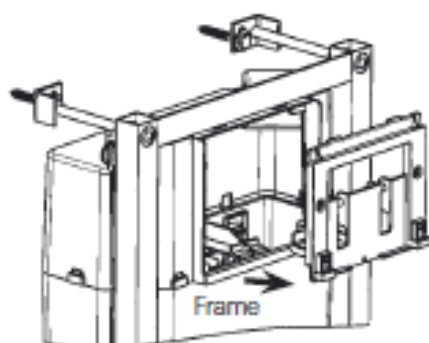
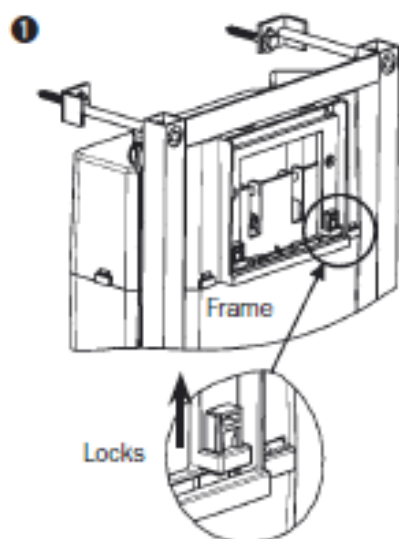


V - ATTACHING THE FRAME

- 1 Attach the frame definitively

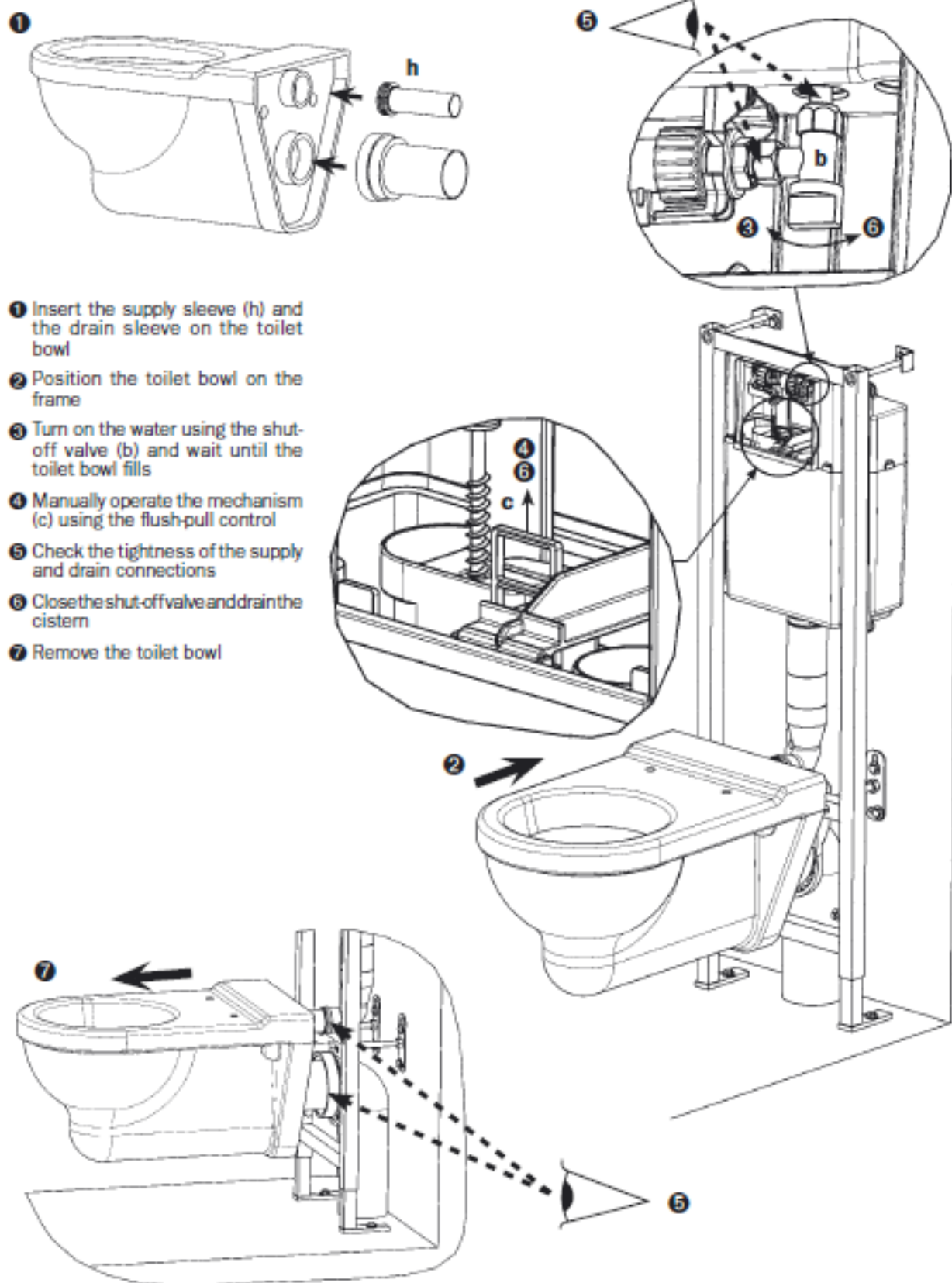


VI - WATER SUPPLY CONNECTION

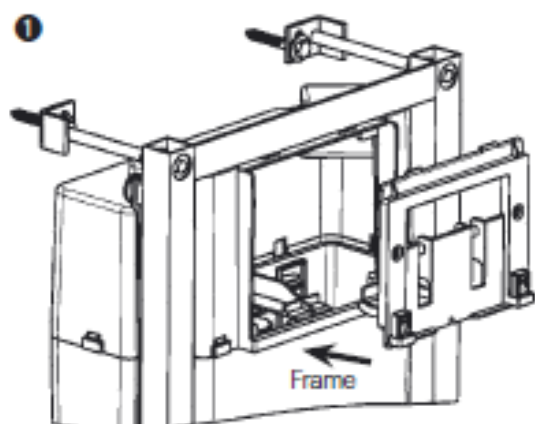


- 1 Remove the frame by lifting the two locks
- 2 Connect your pipe to the shut-off valve (b) either using the dual cone supplied or directly with the nuts provided on the water inlet (in this case, ensure tightness using a fibre washer)
- 3 Insert the water supply tube in the cistern
- 4 Connect the shut-off valve (b) to the float valve (a) (ensure tightness by a fibre washer).

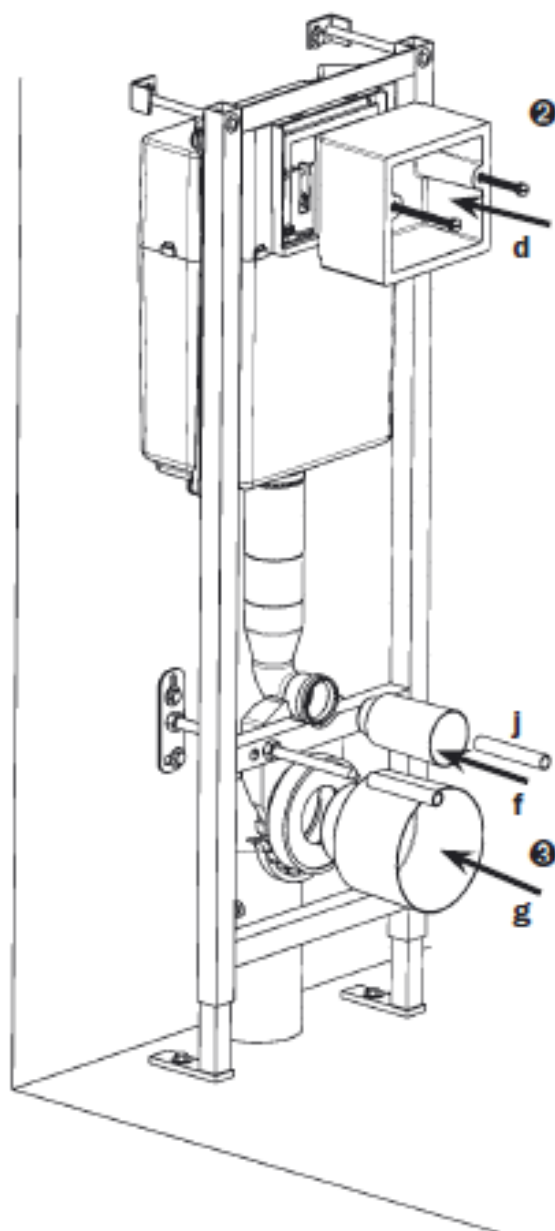
VII - TESTING WITH WATER



VIII - PREPARING THE CLADDING



- 1 Fit the frame
- 2 Attach the PSE template (d) to the frame using the two grey screws provided in the control panel box
- 3 Fit the caps (f) and (g) on the supply bend (e) and on the drain pipe as well as the flexible sheaths (i) over the attaching rods of the toilet bowl (l)



IX - CLADDING

⚠ The thickness of the covering must be between 16 and 100mm, the covering must be fixed to the support structure.

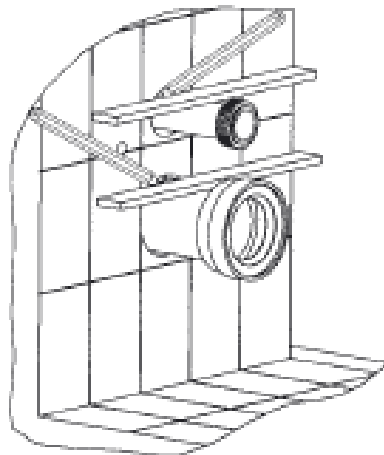
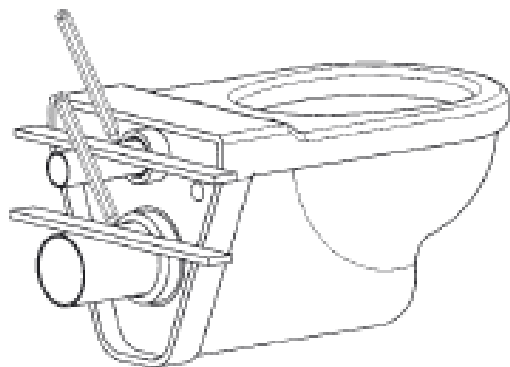
Cladding can be of various materials (brick, plaster blocks, plaster board, water repellent wood panels etc).

For the preliminary punching out of the various holes (command plate, evacuation and filling of the bowl, and bowl-fixing rods) a measuring gauge can be found on the back of the packing.

Once the covering is finished, take off the PSE gauge (d), keep the screws for fixing on the command plaque, take off the shutters (f) and (g).

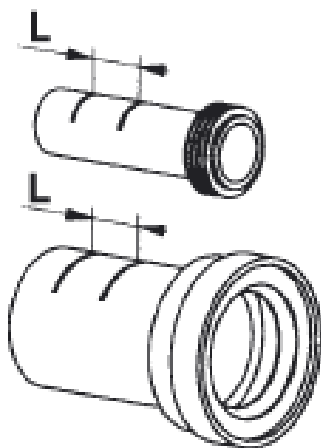
X - TOILET BOWL CONNECTION

- ⚠ Read bowl and toilet seat instructions before installing the cistern frame.



- ❶ Using a rule placed as shown in the above drawing, draw a mark on the toilet bowl side, on the two sleeves.

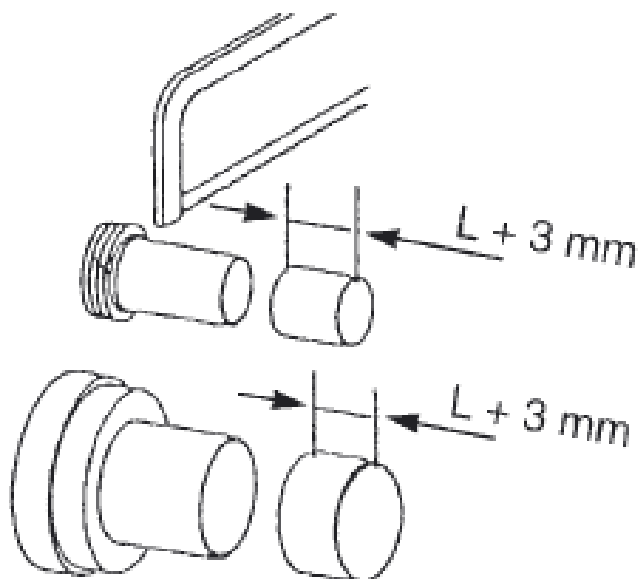
- ❷ Remove the sleeves from the toilet bowl and fit them to the frame. Using a rule placed as shown in the drawing above, make a mark on the wall side, on the two sleeves.



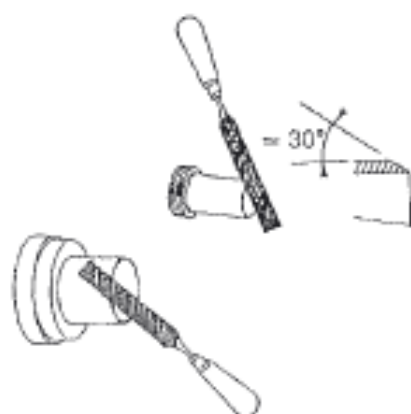
- ❸ For each of the sleeves, measure the dimension (L) between the two marks.

- ❹ Transfer this dimension (L) by increasing by 3 mm at the end (frame side) the size obtained on each sleeve. For instance, if $L = 50$ mm, shorten the sleeve by 53 mm.

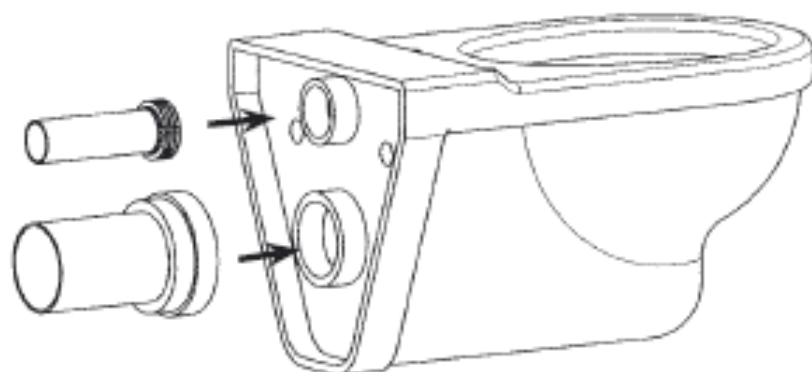
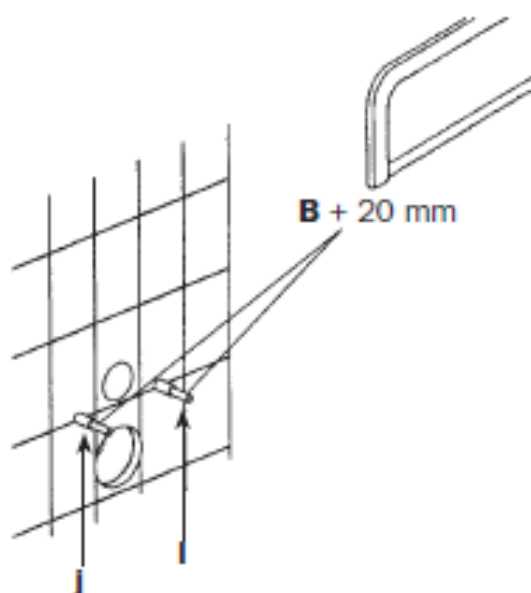
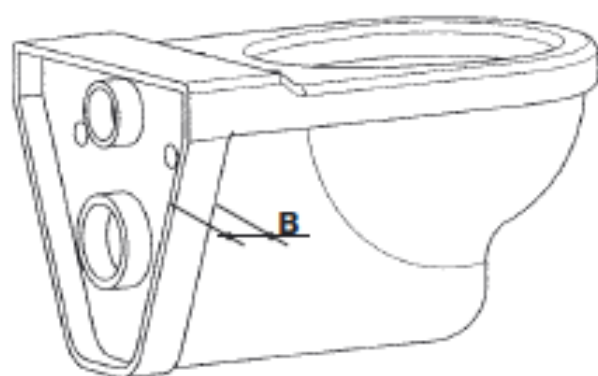
- ❺ Cut the sleeves using a hack saw.



X - CONNECTING THE TOILET BOWL (cont'd)



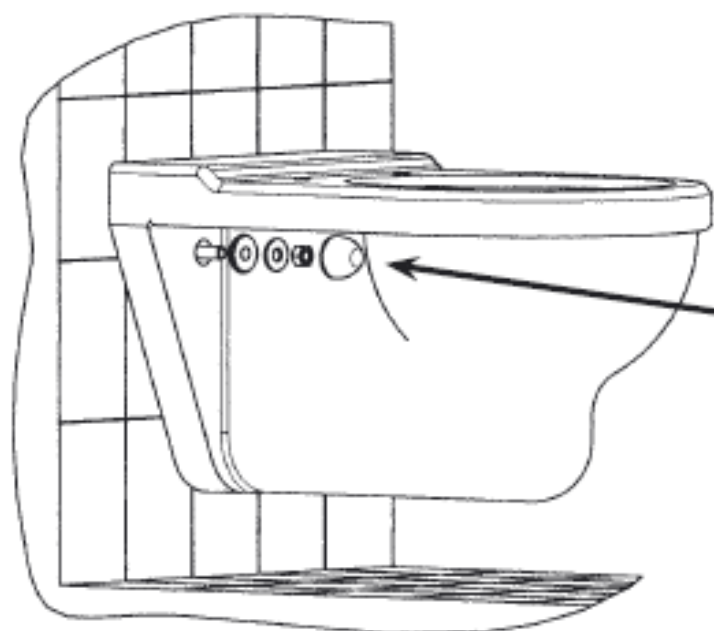
- ⑥ Deburr the cut pipes using a file
- ⑦ Measure the thickness at the rear of the toilet bowl (B)
- ⑧ If necessary, cut the attaching rods (l) so that the part protruding from the wall measures (B) + 20 mm
- ⑨ Shorten the flexible sheaths (j) so that the part protruding from the wall measures (B) - 15 mm



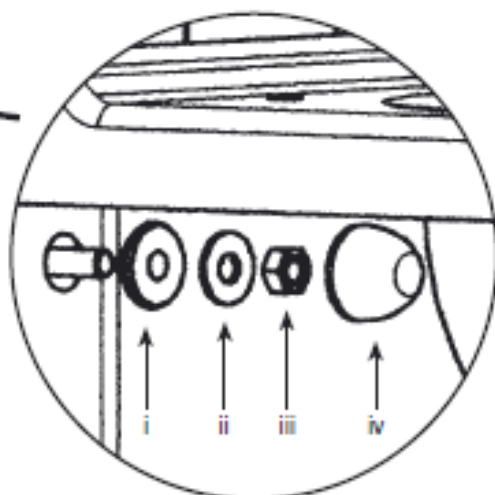
- ⑩ Fit the supply sleeve (h) and the drain sleeve onto the toilet bowl. Then position the toilet bowl on the two attaching rods.

⚠ To facilitate the fitting of the drain sleeve onto the bowl and the pipe, use soapy water.

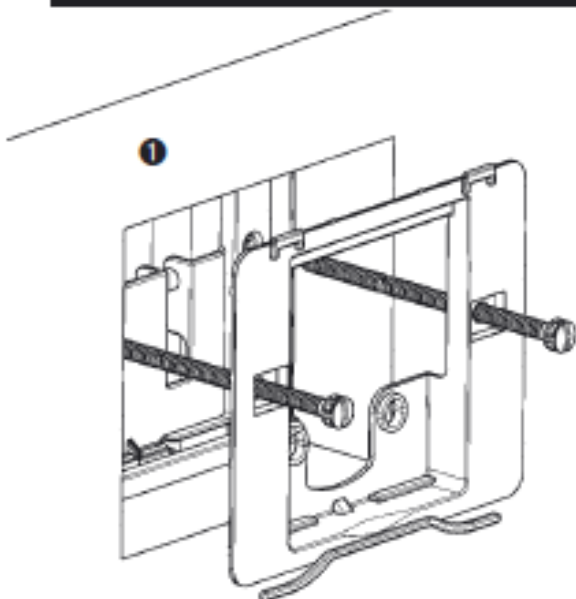
XI - ATTACHING THE TOILET BOWL



- ❶ When the toilet bowl is correctly positioned, attach it using the kit (i) complying with the part stacking order:
i = centering washer
ii = metal washer
iii = nut
iv = cover



XII - INSTALLING THE CONTROL PANEL

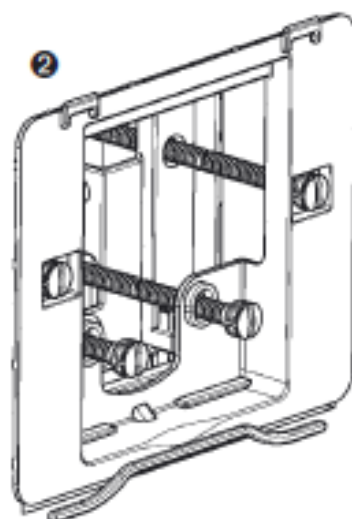


- ❶ Attach the control panel chassis to the frame using the two grey screws

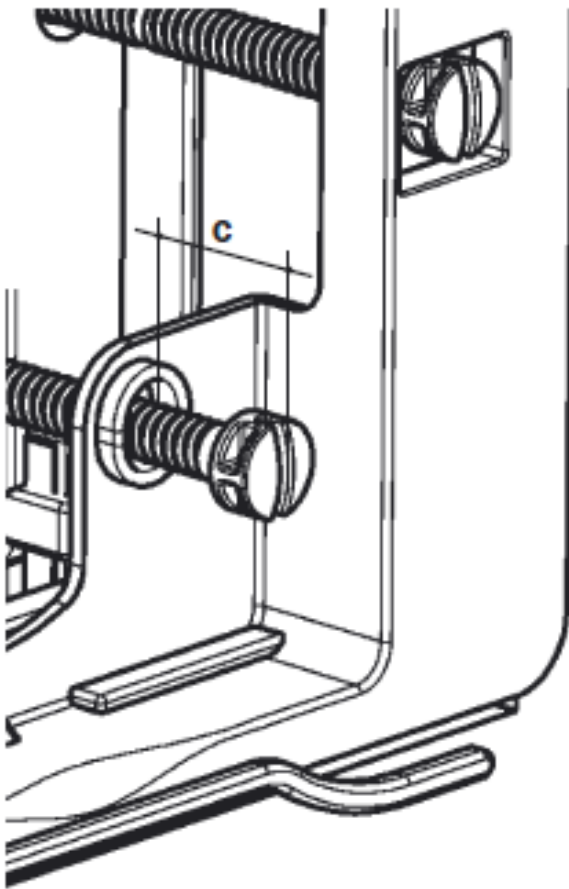
⚠ If the mounting surface is not very thick, shorten the screws by simply breaking them at the notch provided for the purpose.

- ❷ Install the two control screws (the two remaining grey screws)

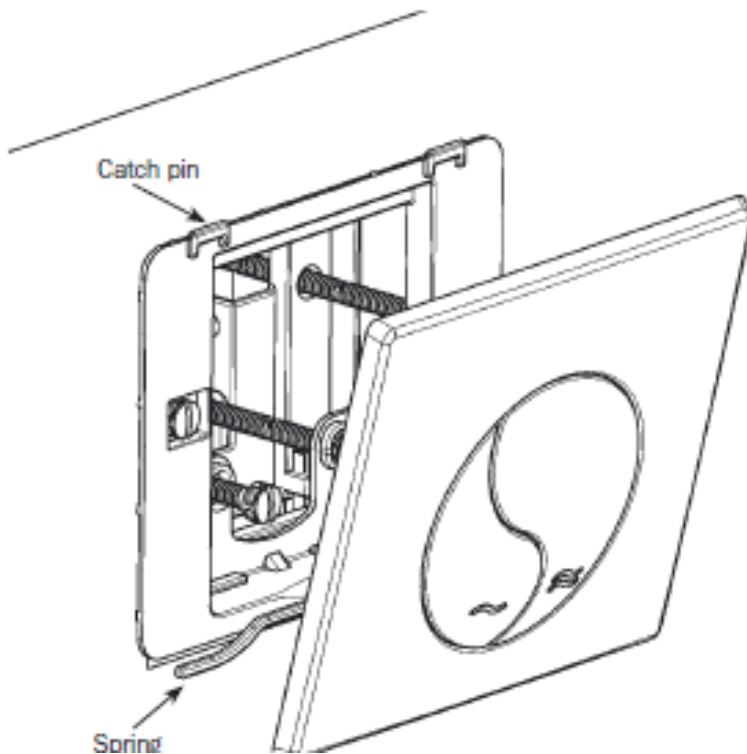
⚠ If the mounting surface is not very thick, shorten the screws by simply breaking them at the notch provided for the purpose.



XII - POSITION IN THE CONTROL PANEL (cont'd)



- 1 Adjust operating screws so that size (C) is 31 mm.
NB : (C) = from the outside of the collar to the head of the screw.

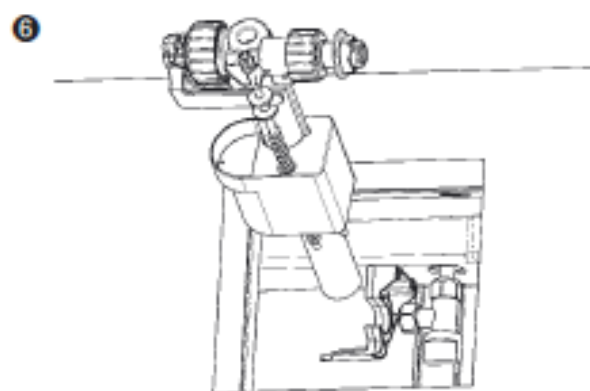
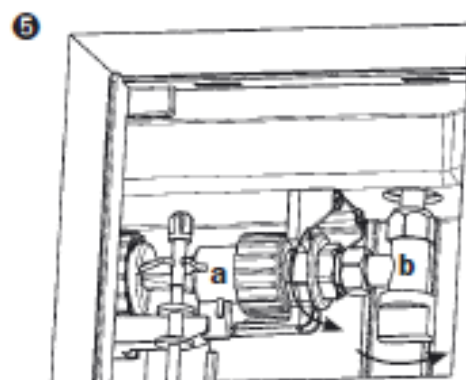
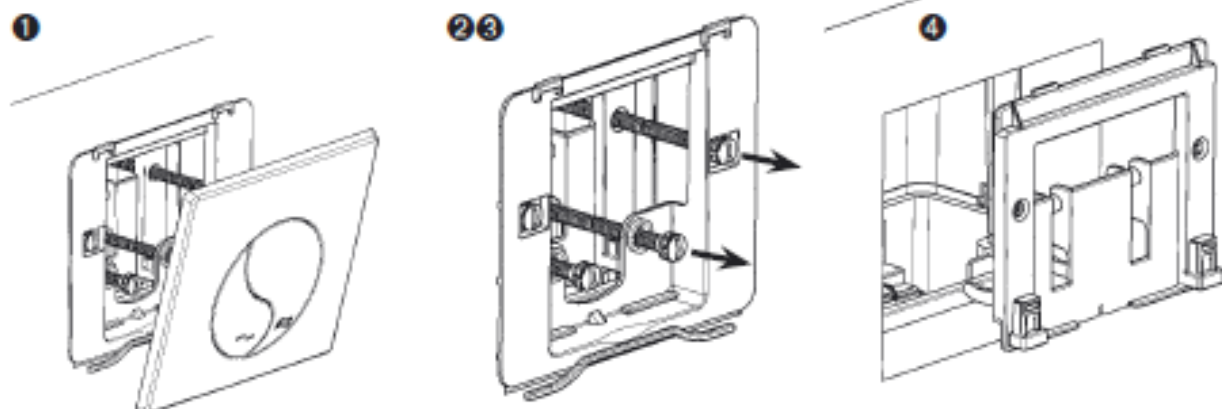


- 2 Place the command plate on the springs from the bottom upwards then lift slightly, clip the plaque onto the catch pins.

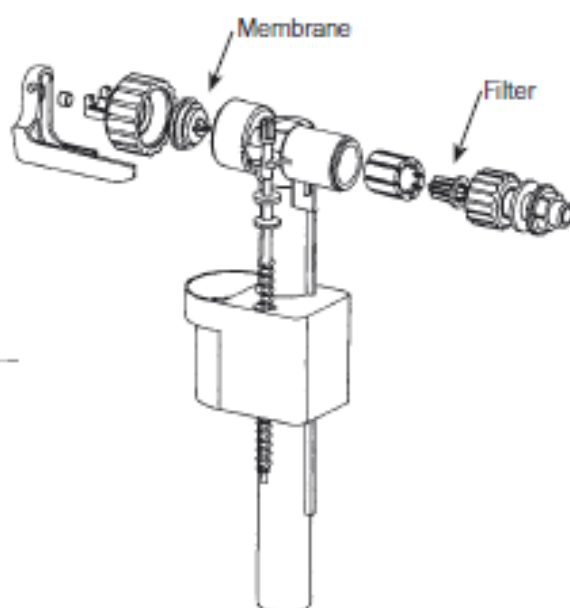
MAINTENANCE OPERATIONS

During the use of your **VERSO** BCM 350 flushing cistern, you may be required to maintain the equipment.

I - MAINTENANCE OF THE VALVE (filter cleaning, replacement of membrane)



- 1 Remove the control panel by lifting it slightly and tilting it forward
- 2 Remove the operating screws
- 3 Loosening the chassis screws and remove the chassis
- 4 Remove the frame as indicated under point VI of the manual
- 5 Close the shut-off valve (b) and separated from the float valve (a).
- 6 Take out the floater tap



- 7 Unscrew the screws of the tap to take out the membrane and the filter. Change the membrane and clean the filter

Spare parts:

Membrane: P/N 349513-07

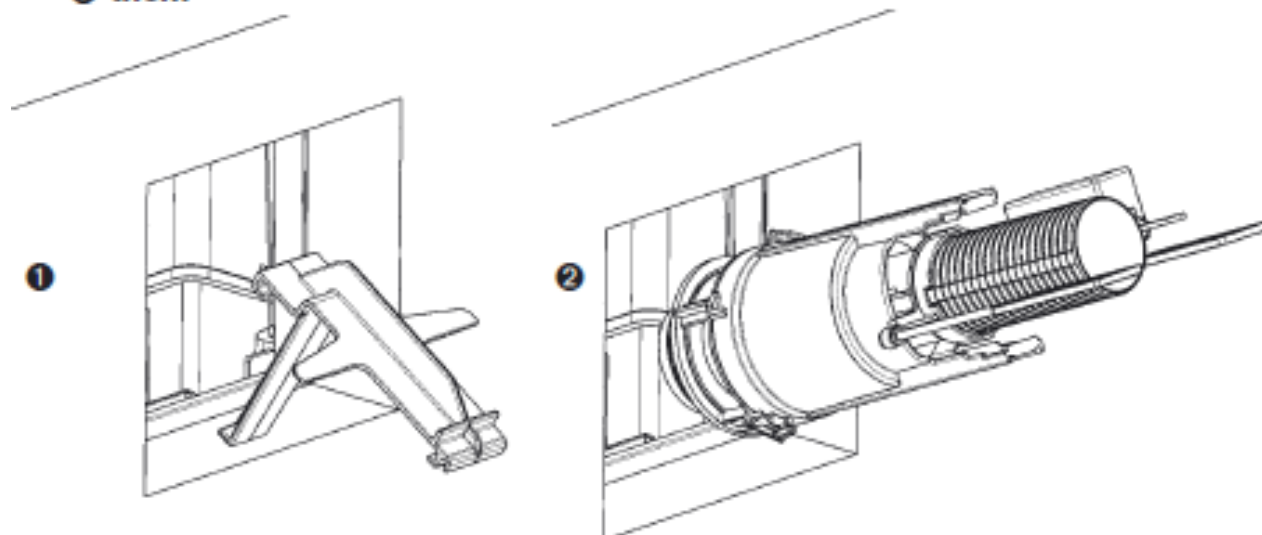
Complete valve: P/N 309503-07

MAINTENANCE OPERATIONS (cont'd)

II - MECHANISM MAINTENANCE (cleaning or replacement of the seal)

Proceed in the same way as for the maintenance of the valve up to point ⑥ then:

⑥ then:



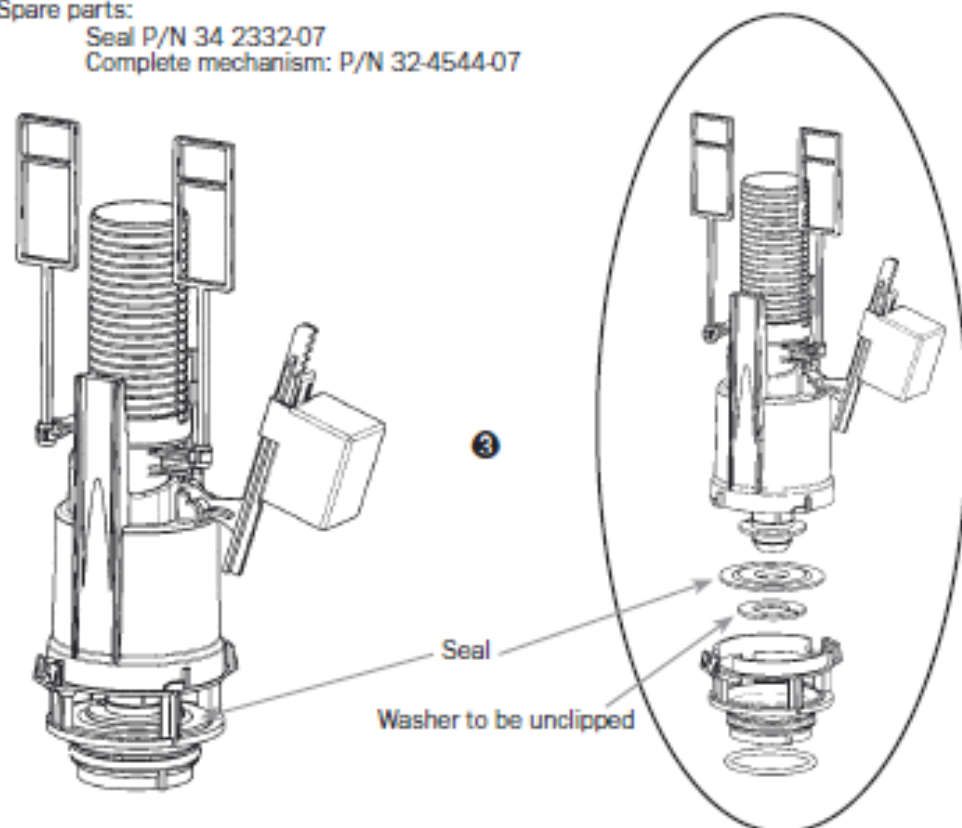
① Take off the brace

② Grasp the mechanism by the base and remove it from the cistern

Spare parts:

Seal P/N 34 2332-07

Complete mechanism: P/N 32-4544-07



③ Unfix the body of the device from the plughole by turning the plughole round. Unclip the washer, take out the joint and change it, then re-assemble the whole set.

⚠ To position the mechanism properly it is provided with a polariser on the base

Maintenance

General Cleaning

Your fitting has a high quality finish and should be treated with care to preserve the visible surfaces. All finishes will wear if not cleaned correctly. The only safe way to clean your product is to wipe with a soft damp cloth. Stains can be removed using washing up liquid. All bathroom cleaning products (powders and liquids) will damage the surface of your fitting, even the non-scratch cleaners.

Note: Never use abrasive detergents or disinfectants or those containing alcohol, hydrochloric acid or phosphoric acid.



Bristan recommend E-cloth for cleaning all of our bathroom & kitchen products. Using just water, E-cloth gives a

smear free, deep clean by breaking up and holding dirt, which normal cloths leave behind. Order through your Bristan stockist (order code: E-CLOTH).

BRISTAN

Bristan Group Limited

Birch Coppice Business Park, Dordon, Tamworth, Staffordshire B78 1SG

A Masco Company

Website: www.bristan.com

Telephone: 0844 7016 274 Helpline: 0844 7016 273 Facsimile: 0844 701 6275

Email: enquire@bristan.com

This booklet covers product codes

CFC33 , CFC34 -(Heritage) - SW FR WH FRAME (Bristan)

HERITAGE[®]
BATHROOMS

Heritage Bathrooms

Unit 6 Albert Road, St Philips Central, Bristol, BS2 0XJ

Website: www.heritagebathrooms.com

Technical Helpline 0844 701 8501 Sales & General Enquiries Tel: 0844 701 8501

Technical Fax line: 0844 701 8504 Sales & General Enquiries Fax Line: 0844 701 8502

Email: technical@heritagebathrooms.com