

Classic Dual Flush Push Button Concealed Cistern

Fitting Instructions



Before starting any installation project please consider the following:
Prior to drilling into walls, check there are no hidden electrical wires or cables or water supply pipes with the aid of an electrical detector.
If you use power tools do not forget:

- Wear eye protection
- Unplug equipment after use

Please keep these instructions for future reference and request of replacement parts



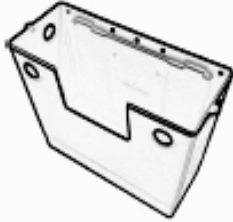
Concealed Cistern – Fitting Instructions

Parts Supplied:

A. Push button including shroud & backnut (x1)



B. Cistern (x1)



C. Cistern LID (X1)



D. Inlet valve including backnut & washer (x1)



E. Flush Valve including backnut & washer (x1)



F. Flush pipe (x1)



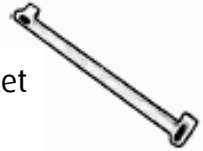
G. Flush pipe washer (x1)



H. Flush pipe backnut (x1)



I. Wall mounting bracket (X1)



J. Screw (x2)



K. Fixing plug (x2)



L. Flush pipe sealing washer (x2)



M. Access panel (x1)



N. Lid fixing screw (x2)



O. Flow restrictor (x1)



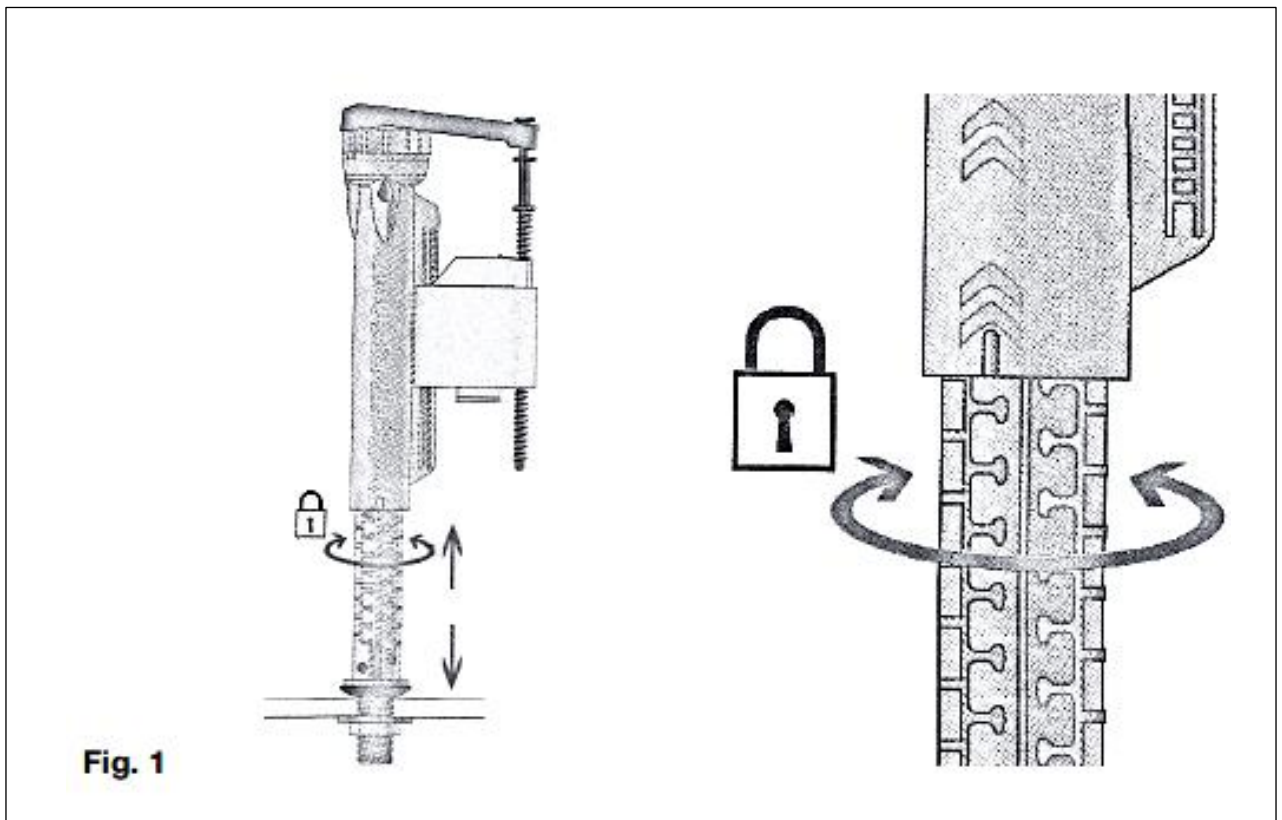
Tools Required:

Slotted screwdriver
Pencil
Power drill
Spirit level
Hacksaw

Cross-head screwdriver
Mallet
Suitable drill bit(s)
Tape measure
Sandpaper or file

Assembly.

1. Remove the backnut from the inlet valve (D). Insert the valve into the hole in the base of the cistern (B), ensuring that the rubber washer is on the inside of the cistern and secure using the backnut. Adjust the height of the inlet valve as required and twist to lock the valve in position (See Fig 1). Ensure that the inlet valve height is securely locked in position.



2. Attach the wall mounting bracket (I) in the centre of the installation position or the WC unit using screws (J), ensuring that the tabs of the bracket points upwards. Check that the fixing bracket is horizontal using a spirit level before finally tightening the screws.

If required the fixing plugs (K) can be used for solid walls. Note: the cistern should be fitted as high as possible inside a WC unit. In deep WC units or wall cavities, it may be necessary to fit wooden battens to the rear of the unit or solid wall to move the cistern and flush pipe forwards. Hang the cistern (B) onto the wall mounting bracket (I) in the installation position or the WC unit. (See Fig 2).



Fig. 2



Vertical Adjustment of the flush pipe (if required)

3. Push the flush pipe backnut (H) and flush pipe washer (G) onto the flush pipe (F) (See Fig 3). Insert the flush pipe into the flush valve in the cistern. Secure the flush pipe in position using backnut (H). (See Fig 4).

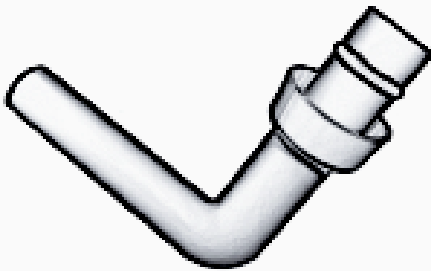


Fig. 3



Fig. 4

4. Offer the WC pan up to the flush pipe (F). Measure the vertical distance between the centre of the flush pipe and the centre of the water inlet in the rear of the WC pan. Make a note of this measurement, remove the WC pan from its position the room (See Fig 5).

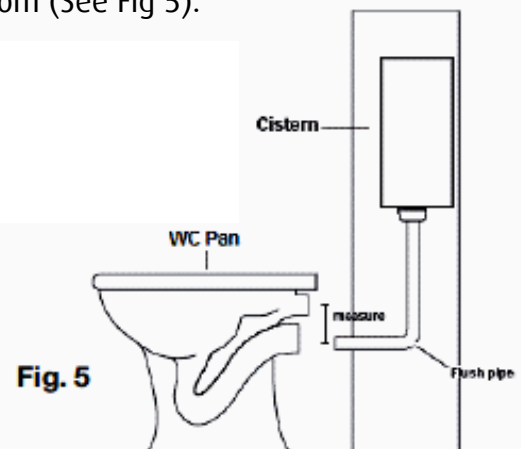


Fig. 5

- Undo the backnut (H) and remove the flush pipe (F) from the cistern. Transfer the measurement made in step 5 onto the top of the flush pipe. Remove the section marked using a hacksaw. The cut end of the flush pipe must be finished with sandpaper or a file (See Fig 6).

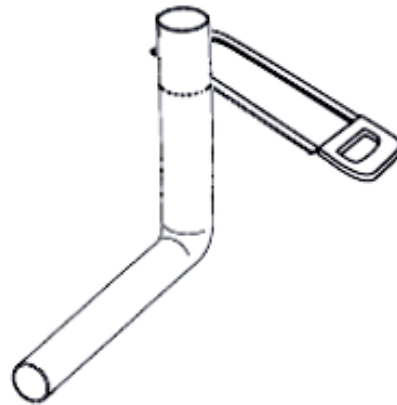


Fig. 6

Horizontal Adjustment of the flush pipe (if required)

- Push the flush pipe backnut (H) and flush pipe (G) onto the flush pipe (F), then insert the flush pipe into the flush valve in the cistern. Secure the flush pipe in position using the backnut. Push the flush pipe sealing washer (L), onto the end of the flush pipe (See Fig 7).



Fig. 7

- Push the WC pan back into position so that the flush pipe (F) enters the water inlet in the rear of the pan (See Fig 8). Measure the distance between the rear of the WC pan and the front of the WC unit or wall (including any front panel; or tiles, if applicable). Make a note of this measurement (See Fig 9).

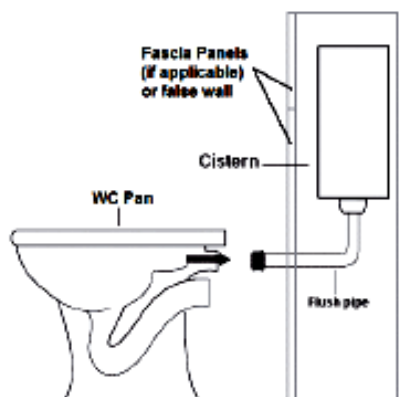


Fig. 8

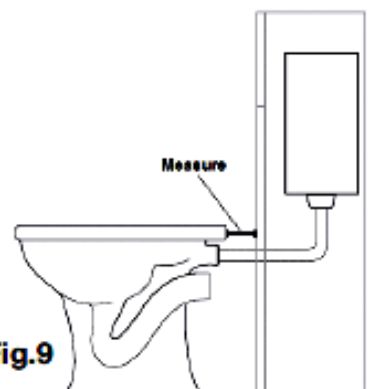


Fig. 9

8. Move the WC pan away and remove the flush pipe sealing washer (L) from the flush pipe (F). Remove the flush pipe and transfer the measurement made in set 7 onto the end of the flush pipe. Remove the section marked using a hacksaw, the cut end of the flush pipe must be finished with sandpaper or a file (See Fig 10).

Fig. 10

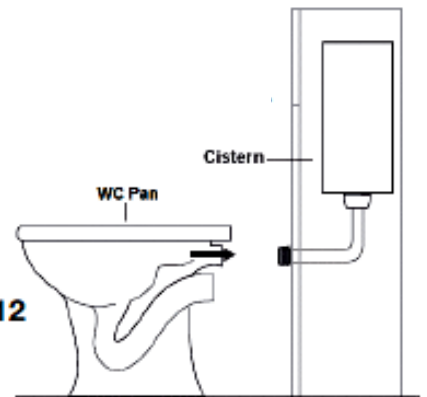


9. Fit the front panel onto the WC unit (if applicable). Push the flush pipe sealing washer (L) onto the end of the flush pipe (F) (See Fig 11). Push the pan back onto the flush pipe (See Fig 12).

Fig. 11

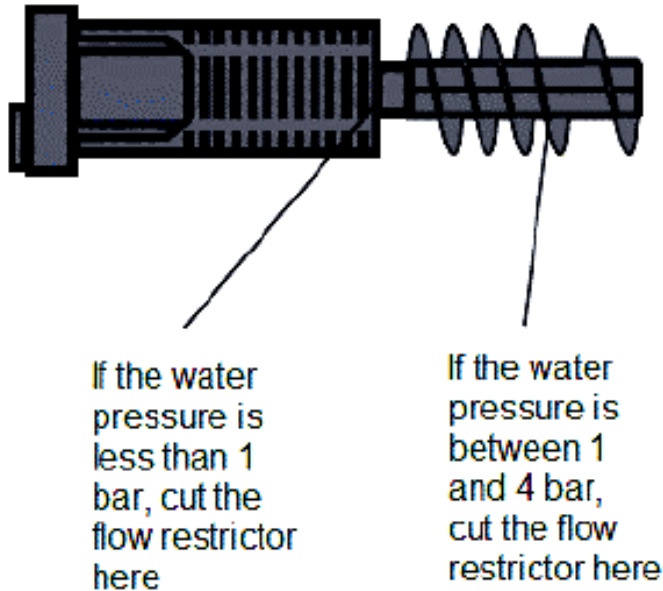


Fig. 12



10. Fit the access panel (M) onto the front of the cistern (B).
11. Using a drill and appropriate bit, drill a hole in the fascia panel of the WC unit or false wall in a suitable position for the push button (A). Secure the push button to the WC unit fascia panel using the shroud and backnut provided.
12. Attach the cable from the flush valve inside the cistern onto the back of the push button (A).
13. Attach the fascia panel to the WC unit (if applicable).
14. The flow restrictor (O) should be inserted firmly into the tail of the inlet valve. The flow restrictor should be cut to size depending on the inlet water pressure, (See Fig 13) on the next page.

Fig. 13



15. Connect the water supply to the cistern inlet valve. Connect the waste connections to the WC pan, check thoroughly for leaks.
16. Using the method shown in step 1 and by adjustment of the inlet valve float, adjust the height of the inlet valve so that the cistern fills to the marked 6 litre waterline and shuts off when the line is reached. Ensure that the inlet valve is locked in position (also shown in step 1 and Fig 1).
17. Hold the inlet valve down to cause the cistern to internally overflow. Ensure that the overflow is capable of discharging the incoming water. If necessary, reduce the incoming water flow by partially closing the isolation valve (not supplied).
18. Fit the cistern lid (C) onto the cistern (B) and if required, secure the screws (N). Care and use clean using warm soapy water and a soft damp cloth. Wipe dry with a clean cloth. Scourers, abrasives & chemical cleaners should not be used.

Important: Retain this information for future reference.

Aftercare Instructions.

Your fitting has a high quality finish and should be treated with care to preserve the visible surfaces.

All surface finishes will wear if not cleaned correctly, the only safe way to clean your product, is to wipe with a soft damp cloth. Stains can be removed using washing up liquid. All bath cleaning powders and liquids can damage the surface of your fitting even the non-scratch cleaners.

Guarantee.

All products are manufactured to the highest standards and a 5-year guarantee covers any defect in manufacture.

Contact Details.

If you require further assistance please contact Heritage Sales and Technical Enquiries:

Sales : 0844 701 8501

Technical: 0844 701 8503

Email: Technical@heritagebathrooms.com

Website: www.heritagebathrooms.com

**Heritage Bathrooms
Unit 6 Albert Road
St Philips Central
Bristol
BS2 0XJ**

