

HERITAGE

BATHROOMS



INSTALLATION GUIDE

MODELS COVERED:
Wall Hung Vanity Units

Please keep this booklet for future reference.

Installer: When you have read these instructions, please ensure you leave them with the user.

INTRODUCTION



Thank you for buying a Heritage Product. When you buy a Heritage product, you can be confident that it not only features a beautiful, distinctive, classic design, but that it has also been made to the very highest quality standards.

To ensure that it works to its full potential, it needs to be fitted correctly.

These fitting instructions have been created to give you all of the information you need and, if you need any further help, please do not hesitate to give us a call on: **0330 026 8503**.

CONTENTS



| | |
|-------------------------------|-----|
| Safety Notice | 3 |
| Installer Guidelines | 3 |
| Installation | 4-5 |
| Caring for your product | 6 |
| Guarantee | 6 |
| Notes | 7 |


SAFETY NOTES



Please read these instructions and retain for future use.

All products manufactured and supplied by Heritage are safe, provided they are installed correctly, used correctly, and receive regular maintenance in accordance with these instructions.

If you are in any doubt about your ability to install this product safely you must employ the services of a competent person who has experience of fitting products of this nature.

 Before starting any installation project please consider the following:

- Prior to drilling into walls, check there are no hidden electrical wires or cables or water supply pipes with the aid of an electrical detector.
- If you use power tools do not forget PPE:
 - Wear eye protection.
 - Unplug equipment after use.
- Keep electrical equipment away from sources of water.
- This product must not be modified in any way as this will invalidate the guarantee.
- Basins, including the connecting water and waste system need to be installed in accordance with and meet the requirements of the water supply regulations 1999 (Water Fittings) and Scottish By-Laws 2004.
- If a blow lamp is used when plumbing, the flame must be kept away from the furniture otherwise damage may occur.
- All units should be assembled and fitted using instructions and installation guidelines provided.
- Any screws and other fixings used must be suitable for the installation situation. (Brick, Block, Plaster or Dot & Dab).

Safety Notice- All Wall Hung Units must be installed with adequate load bearing screws (not supplied) and used with the supplied wall hung brackets and plates.

INSTALLER GUIDELINES



The installation of this product greatly depends on the product sitting level on the wall. If this is not the case, it must be corrected before installation.

Keep an eye out for the **‘INSTALLER TIPS’** throughout the instructions for helpful advice.

INSTALLATION- WALL HUNG UNITS

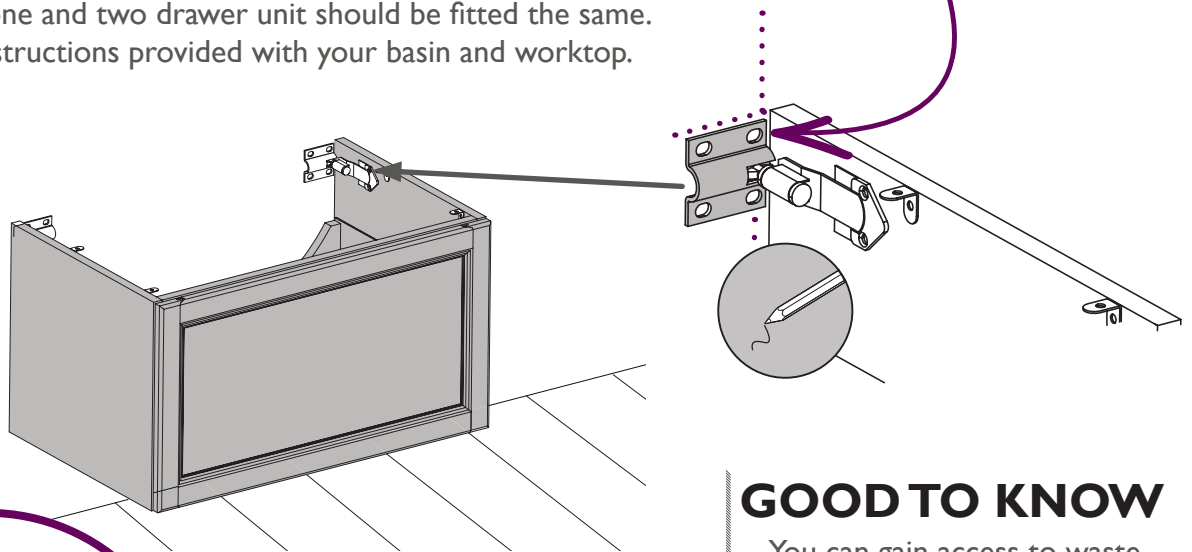
WALL HUNG VANITY UNITS

Determine the favoured position of the unit and mark a vertical centre point on the wall, using a spirit level to make sure levelling is accurate. Measure the span of the unit as this will be where the bracket needs to be fitted to the wall, mark the bracket holes with a pencil and drill pilot holes and fit rawl plugs into the wall.

Fit the wall brackets and plates that are provided and using appropriate load bearing screws (not supplied).

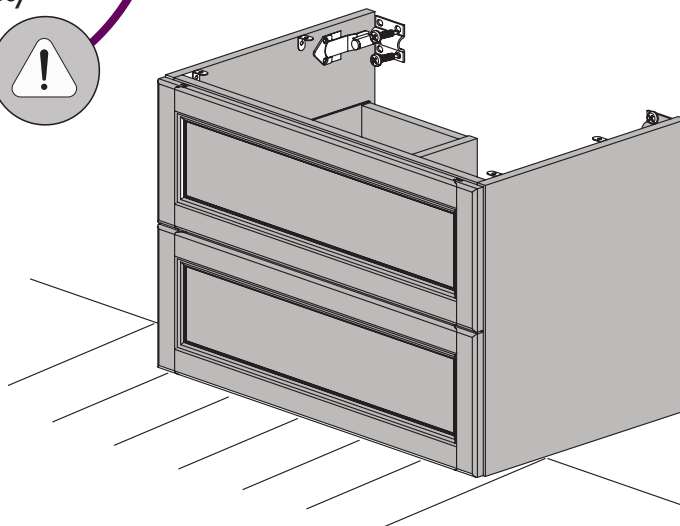
Both the one and two drawer unit should be fitted the same. Follow instructions provided with your basin and worktop.

The brackets should sit on the inner edge of the unit like this



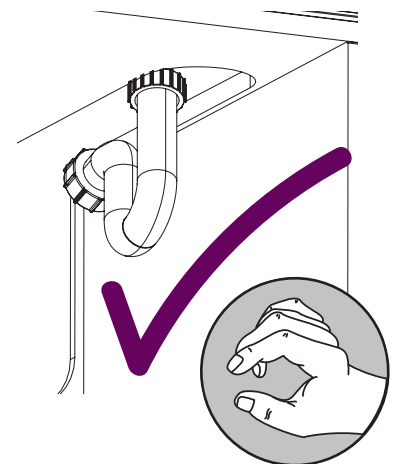
IMPORTANT

Suitable Load bearing screws should be used with the wall hung unit bracket that is provided, extra safety



GOOD TO KNOW

You can gain access to waste connections by removing the drawers- see Installer Tips on p.5 for help.



INSTALLATION- WALL HUNG UNITS

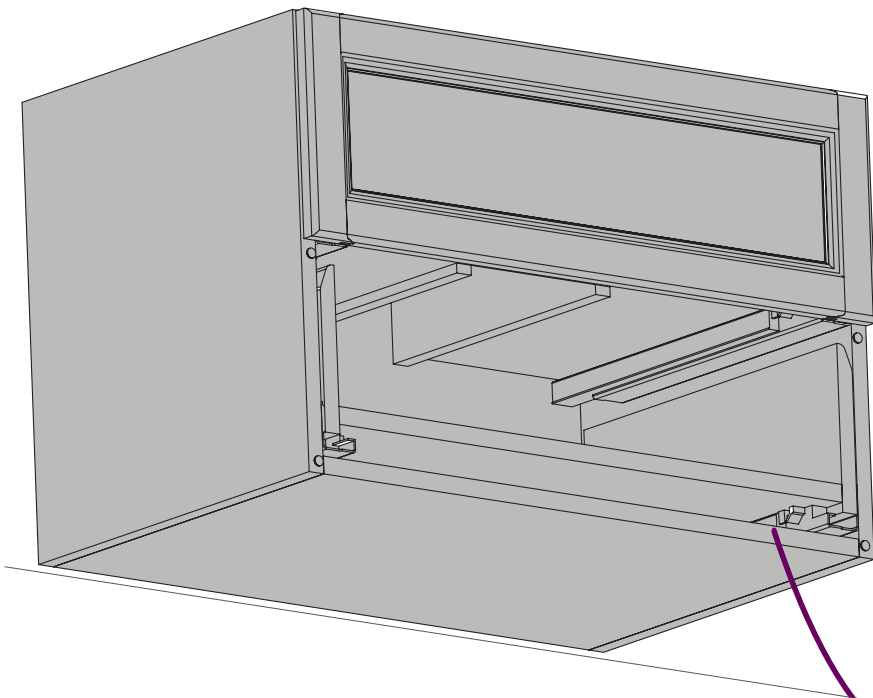


REMOVING AND ADJUSTING THE DRAWERS

The drawers will be pre-fitted.

You can remove the drawers to aid installation by pulling out the locking clip, remember to push the clip back once drawer is put back, so that the drawer is secure.

You may need to adjust the position of the drawer to allow for waste outlet or tap outlet. Use the adjustment catch to to adjust the position.

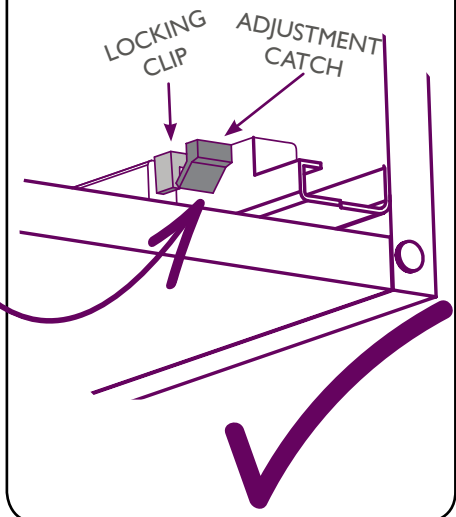


INSTALLER TIPS

You can adjust and remove the drawers if needed. Follow instructions on this page.

LOCKING CLIP

ADJUSTMENT CATCH



CARING FOR YOUR PRODUCT



Your fitting has a high quality finish and should be treated with care to preserve the surface.

- All surface finishes will wear if not cleaned correctly.
- The only safe way to clean your product is to wipe with a soft damp cloth. Any stains can be removed using washing up liquid.
- Do not use cleaning powders or liquids.
- Even non-scratch cleaners may damage the surface of your fitting.
- Clean the porcelain immediately after use to avoid build up of residue which will be harder to remove after time.

GUARANTEE



The confidence we have in the quality of our products and services enables us to offer a free peace-of-mind product guarantee from 2 years up to a lifetime guarantee against any manufacturing faults, with proof of purchase. In addition, our attentive customer service team are available to help solve any problems which may arise quickly and effectively so you can enjoy your bathroom.



To see the specific guarantee for this product, visit the following URL or QR Code.

<https://www.heritagebathrooms.com/service-centre/guarantee>

NOTES



HERITAGE[®]

BATHROOMS

We love to see how Heritage products are used so please keep in touch and share pictures of your new bathroom with us.



@heritagebathrooms

If you have any queries, our dedicated customer service teams and products experts are available to help.

Email us enquire@heritagebathrooms.com Call us 0330 026 8503 Website www.heritagebathrooms.com

Heritage Bathrooms Pooley Hall Drive, Birch Coppice Business Park, Dordon, Tamworth B78 1SG