

HERITAGE

BATHROOMS

INSTALLATION GUIDE



MODELS COVERED:

Broughton Washstand Units

Please keep this booklet for future Reference.

Installer: when you have read these instructions please ensure you leave them with the user.

INTRODUCTION



Thank you for buying a Heritage Product. When you buy a Heritage product, you can be confident that it not only features a beautiful, distinctive, classic design, but that it has also been made to the very highest quality standards. To ensure that it works to its full potential, it needs to be fitted correctly.

These fitting instructions have been created to give you all of the information you need and, if you need any further help, please do not hesitate to give us a call on 0330 026 8503.

CONTENTS



Safety Note	3
Installer Guidelines	3
Tools Required	3
Dimensions	4 - 5
Installation	6 - 7
Drawer Function	8
Caring for your product	9
Guarantee	9

SAFETY NOTE



Please read these instructions and retain for future use.

All products manufactured and supplied by Heritage are safe, provided they are installed correctly, used correctly, and receive regular maintenance in accordance with these instructions.

If you are in any doubt about your ability to install this product safely you must employ the services of a competent person who has experience of fitting products of this nature.

⚠ Before starting any installation project please consider the following:

- Prior to drilling into walls, check there are no hidden electrical wires or cables or water supply pipes with the aid of an electrical detector.
 - If you use power tools do not forget:
 - Wear eye protection.
 - Unplug equipment after use.
 - This product must not be modified in any way as this will invalidate the guarantee.
-

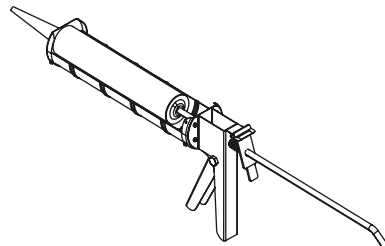
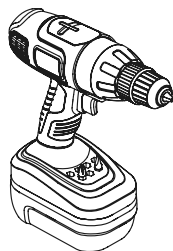
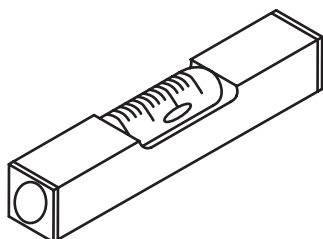
INSTALLER GUIDELINES



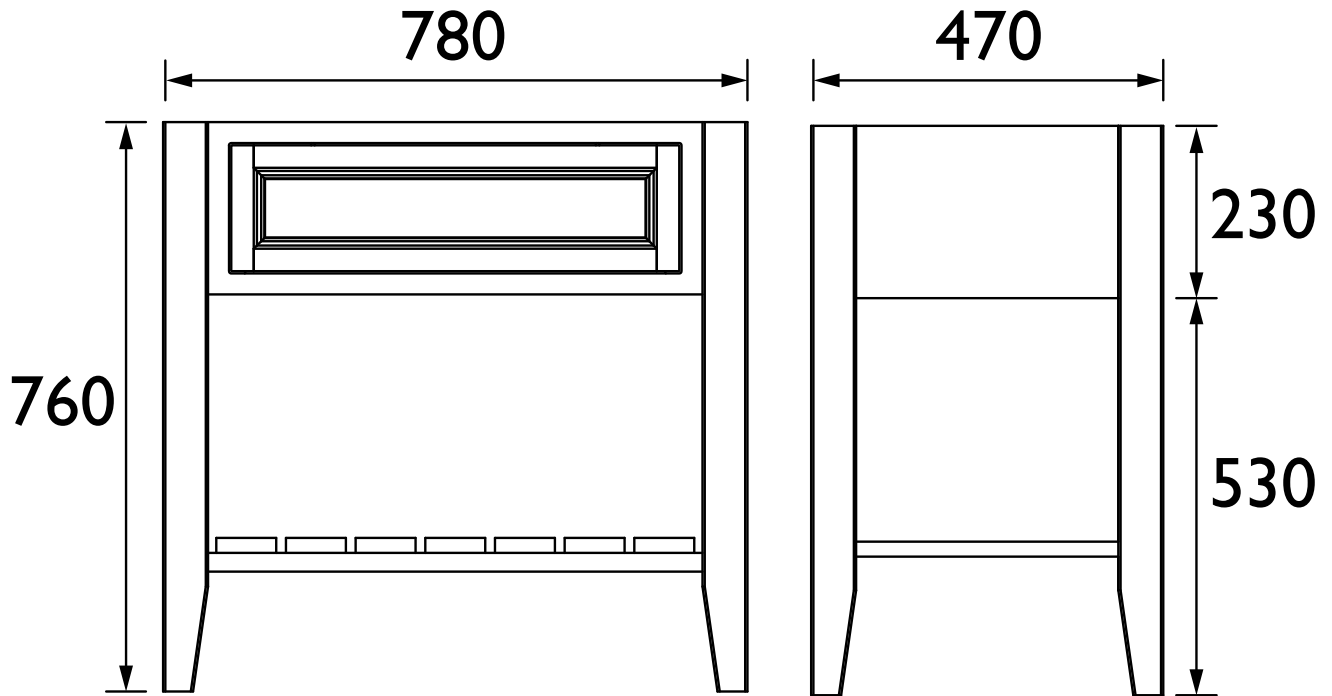
The furniture in this booklet comes assembled. Wooden slats are fixed and already fitted. Handles are NOT supplied.

The installation of these products greatly depends on the floor and wall being level. If this is not the case, it must be corrected before installation.

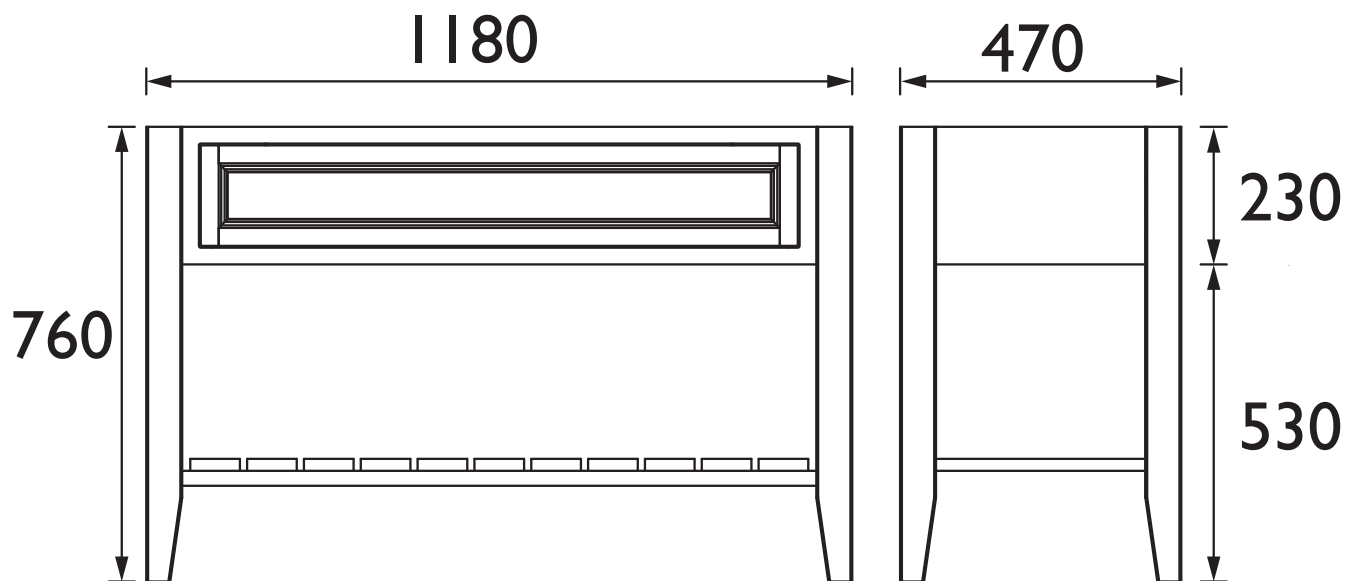
TOOLS REQUIRED



DIMENSIONS

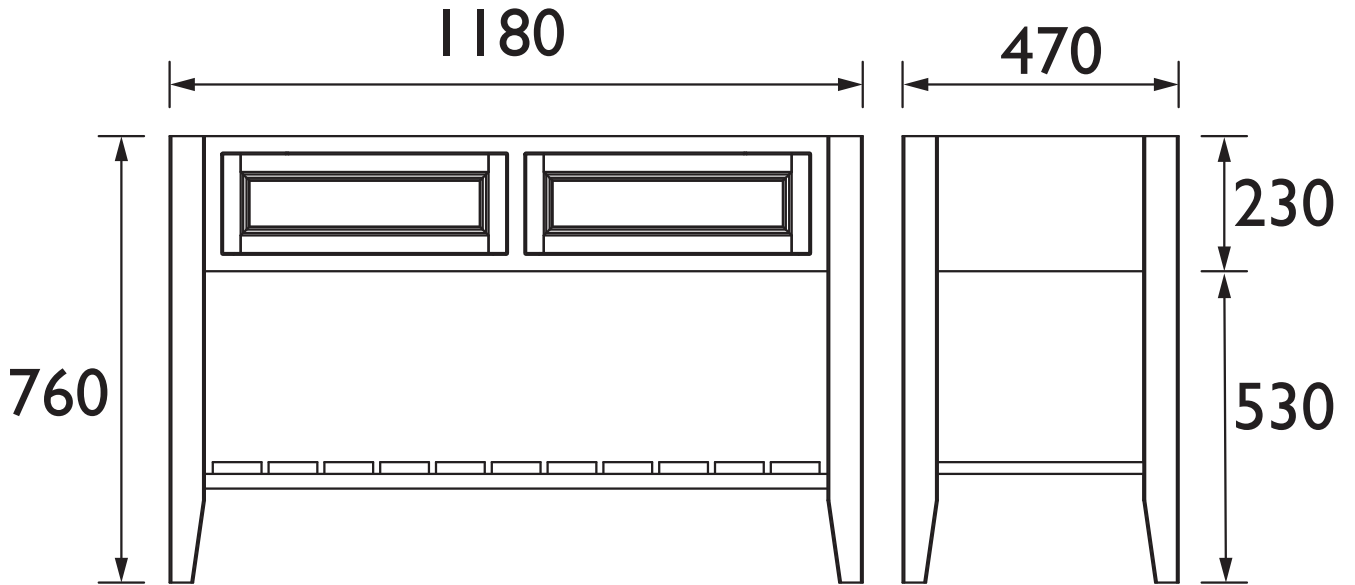


Broughton 800mm Washstand



Broughton 1200mm Single Washstand

DIMENSIONS



Broughton 1200mm Double Washstand

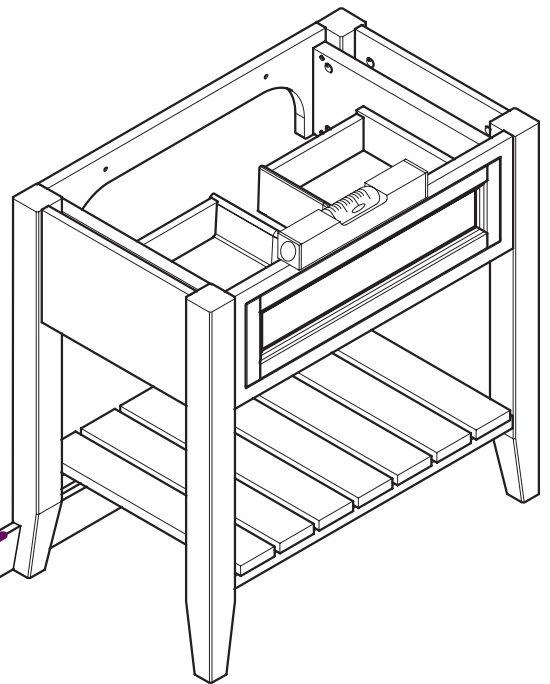
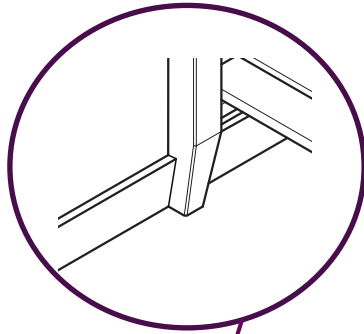
NOTES

INSTALLATION OF WASHSTAND

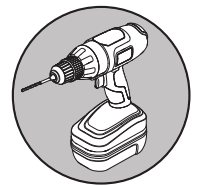
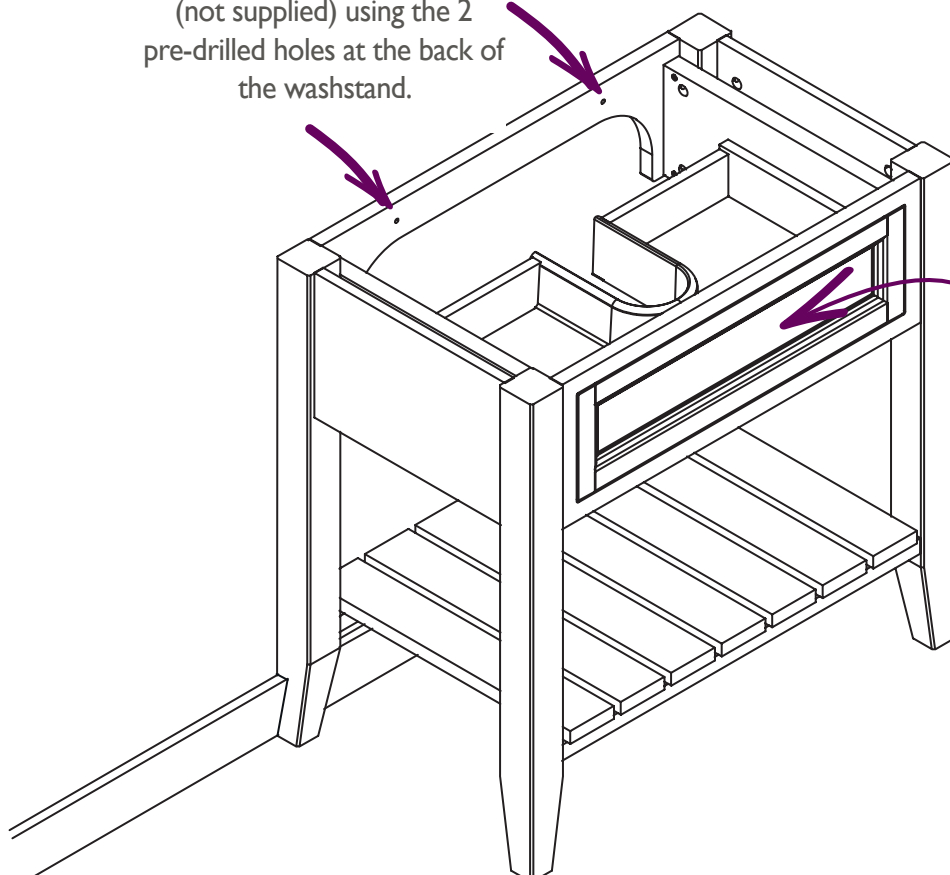


The washstand shown in these instructions are for illustration purposes only. All products in this range can be fitted using the guide below.

Position your washstand in the required location, ensuring all plumbing (if required) is in place. If needed, remove skirting boards before fixing in place and ensure that the unit is level once in position.



Attach your washstand to the wall with suitable fixings (not supplied) using the 2 pre-drilled holes at the back of the washstand.



Once suitable handles have been chosen (not supplied), holes will need to be drilled to fit them.

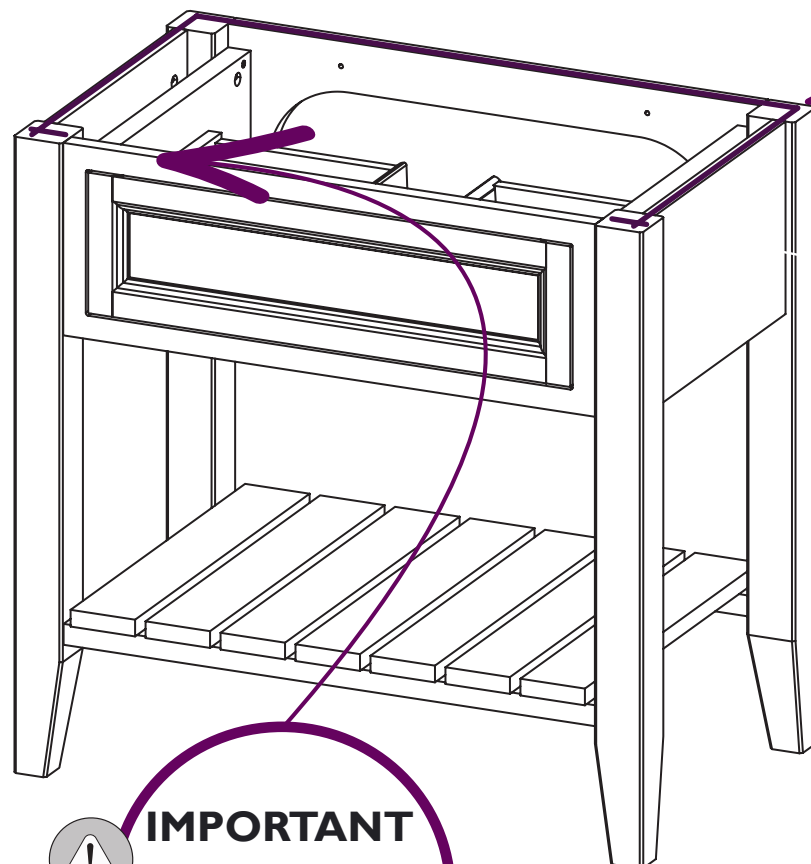
INSTALLATION OF WASHSTAND

SECURING THE WORKTOP

Once your Heritage Broughton Worktop and Vessel Basin are ready to install, apply silicone sealant along the washstand before placing the worktop, secure and wipe off any excess.

IMPORTANT

Your worktop should be cut and prepared before applying silicone sealant and attaching the worktop to the washstand

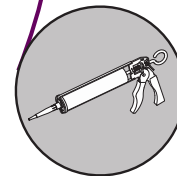


IMPORTANT

Do not apply silicone sealant to the drawer

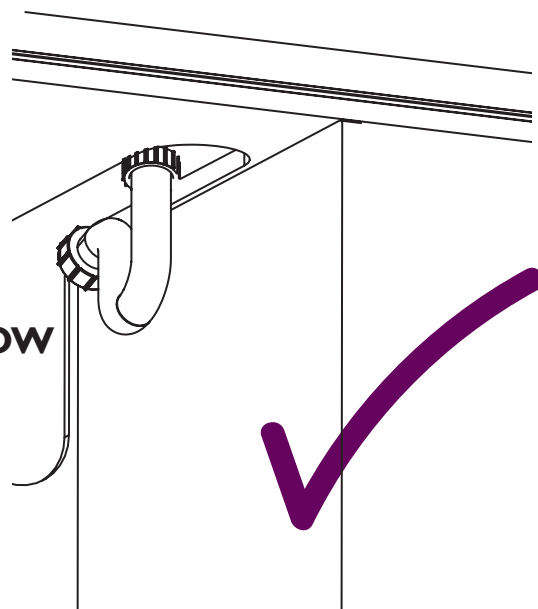


Follow the instructions that are supplied with your worktop and basin for installation information

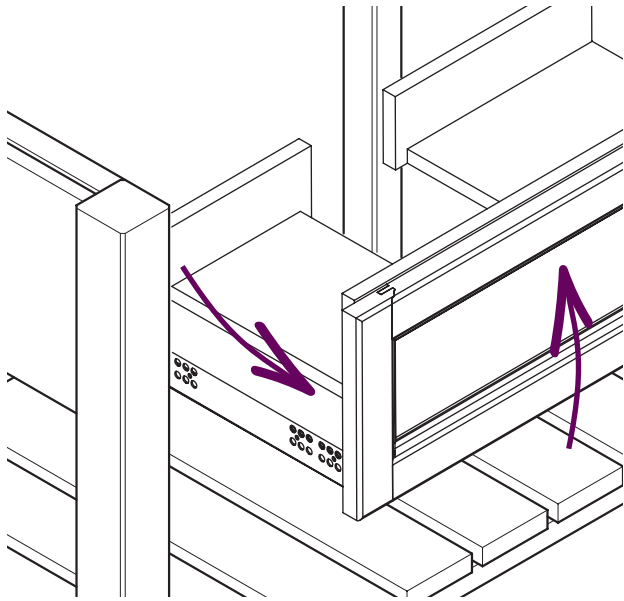


GOOD TO KNOW

Access to waste connections via the drawer(s) of the washstand.



DRAWER FUNCTION

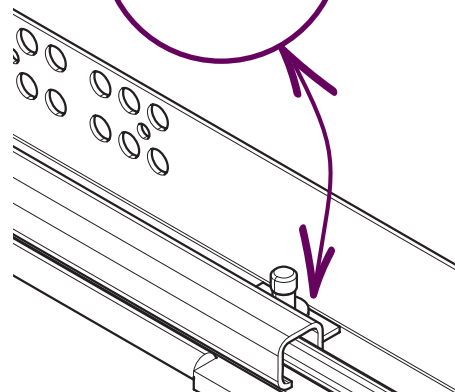
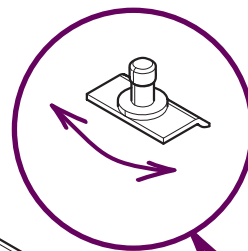
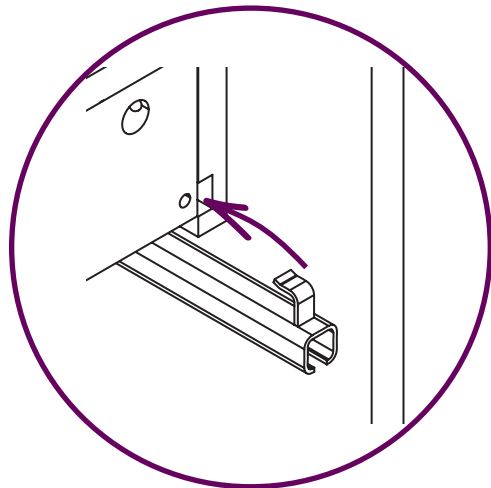


IMPORTANT

For ease of installation, drawers can be removed. Pull the drawer fully out and lift from the front centre to release from the runners.

To replace drawers, line up with drawer runner, ensuring metal hooks are pushed into the hole at the back of the drawer. You will hear a click if the drawer is replaced correctly.

To adjust the height of the drawers, locate the adjustment pin and turn anti-clockwise to adjust the drawer upwards, turn clockwise to adjust the drawer downwards.



CARING FOR YOUR PRODUCT



Your furniture unit has a high quality finish and should be treated with care to preserve the visible surface.

A few tips for preventing defects from forming:

Occasionally wipe the surface with a soft damp cloth and dry with a soft dry cloth. Wipe away any spillages and excess moisture immediately.

Do not use any abrasive cleaning agents or materials, these will change the surface condition from the standard finish.

GUARANTEE



The confidence we have in the quality of our products and services enables us to offer a free peace-of-mind product guarantee from 2 years up to a lifetime guarantee against any manufacturing faults, with proof of purchase. In addition, our attentive customer service team are available to help solve any problems which may arise quickly and effectively so you can enjoy your bathroom.



To see the specific guarantee for this product, visit the following URL or QR Code.

<http://www.heritagebathrooms.com/service-centre/guarantee>

HERITAGE[®]

BATHROOMS

We love to see how Heritage products are used so please keep in touch and share pictures of your new bathroom with us.



@heritagebathrooms

If you have any queries, our dedicated customer service teams and products experts are available to help.

Email us enquire@heritagebathrooms.com Call us 0330 026 8503 Website www.heritagebathrooms.com

UK: Heritage Bathrooms, Pooley Hall Drive, Birch Coppice Business Park, Dordon, Tamworth B78 1SG

EU: Masco Europe S.à.r.l., 14 Rue Strachen, 6933 Mensdorf, Luxembourg.