

GROHE RED

Made in Germany

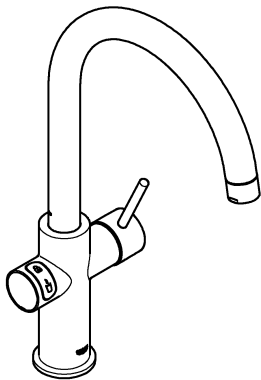
99.0831.031/ÄM 239072/06.17

www.grohe.com

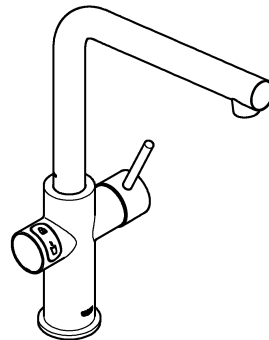
Pure Freude an Wasser

GROHE

30 058

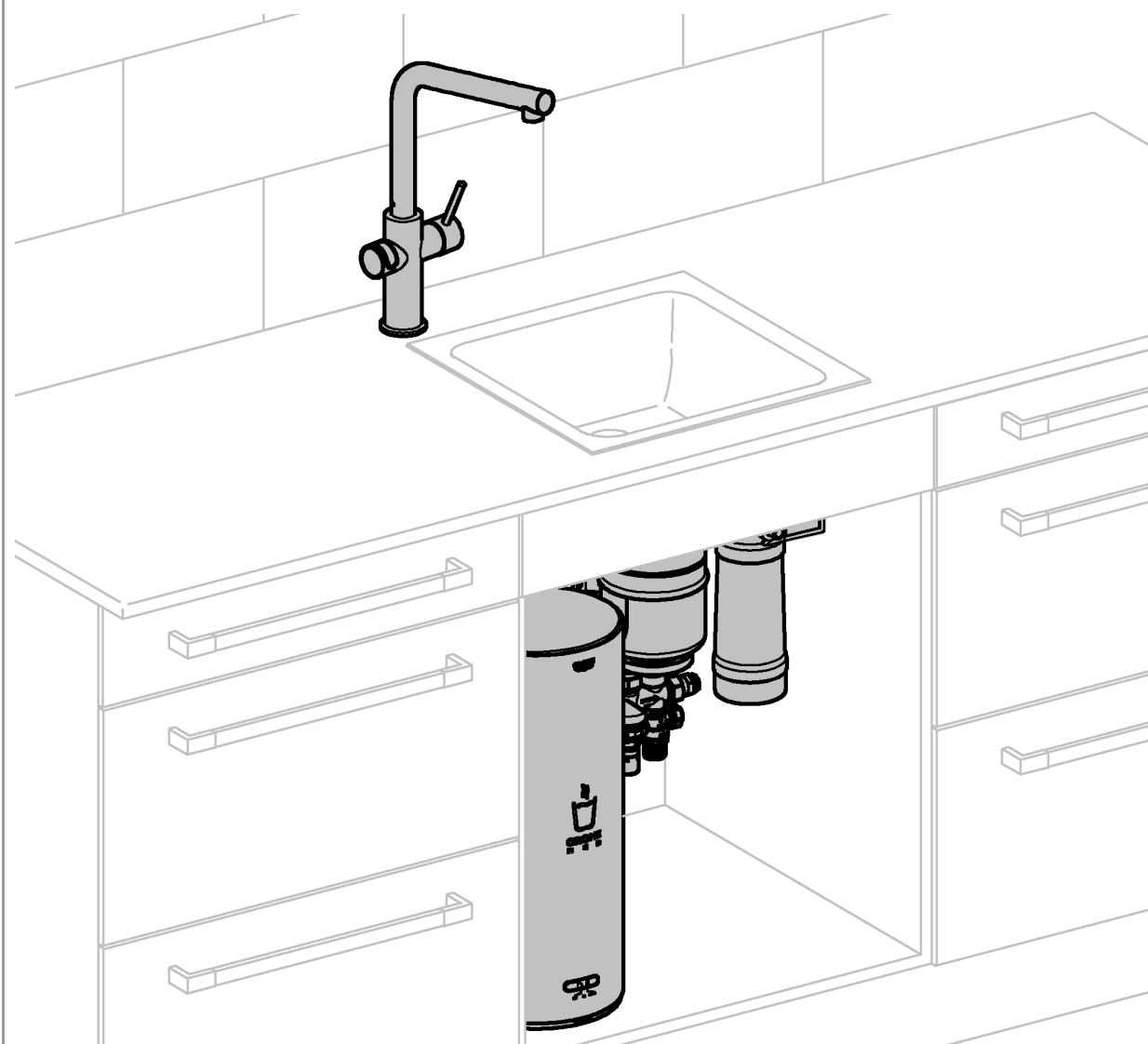


30 340
30 341

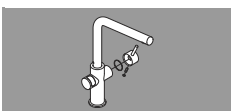


GB

..12



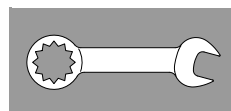
1



2



3 - 7



8



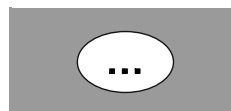
9



10 + 11

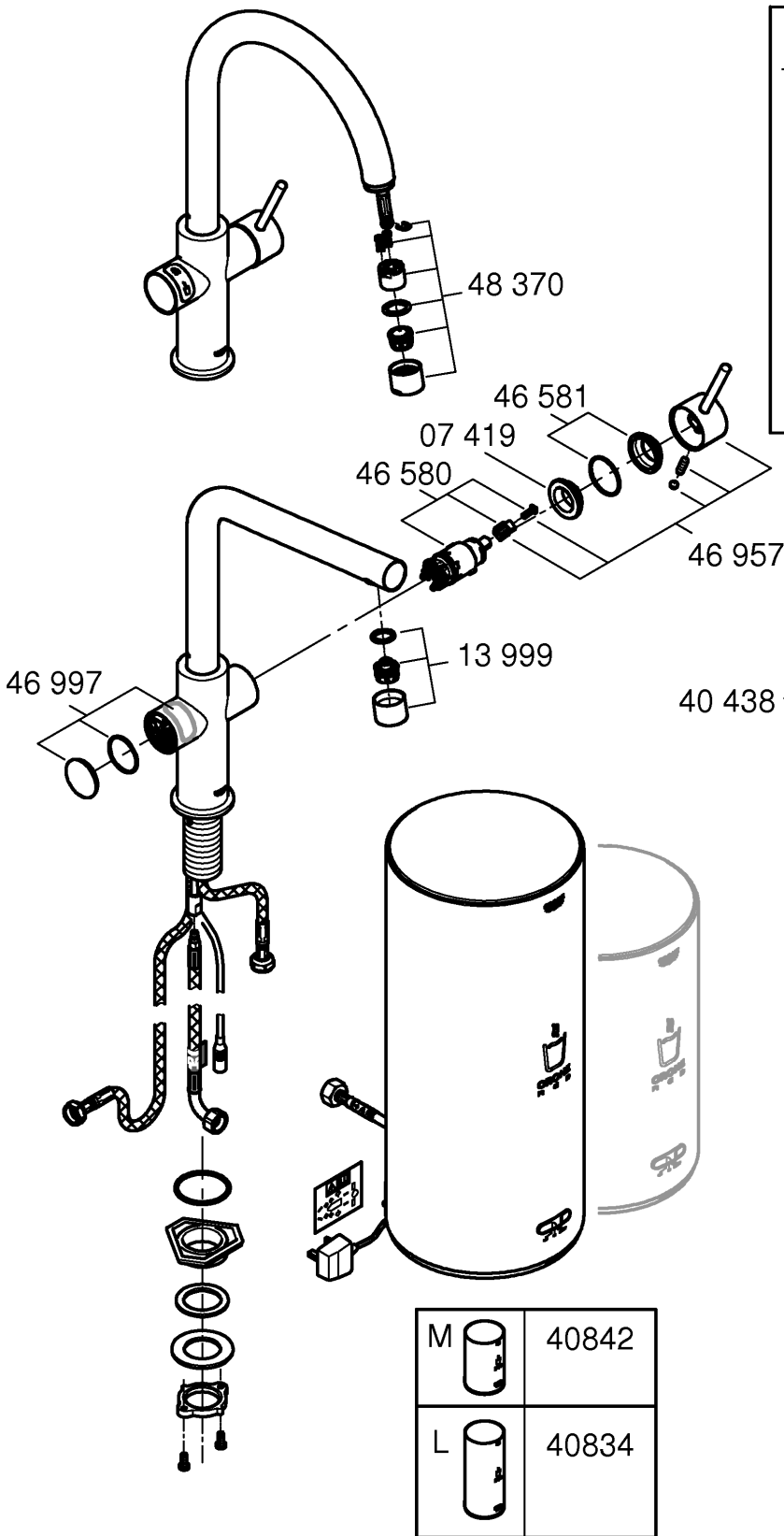




12 - 14

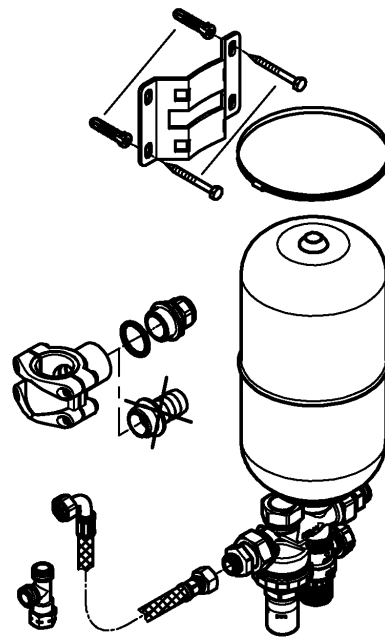
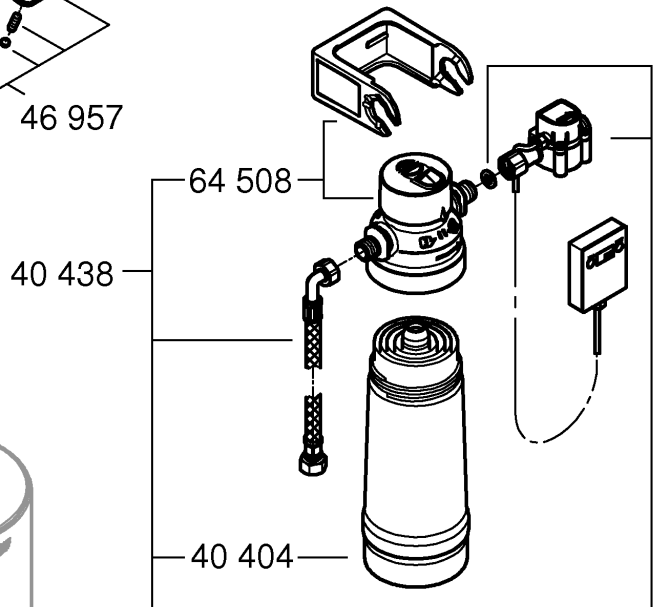


15



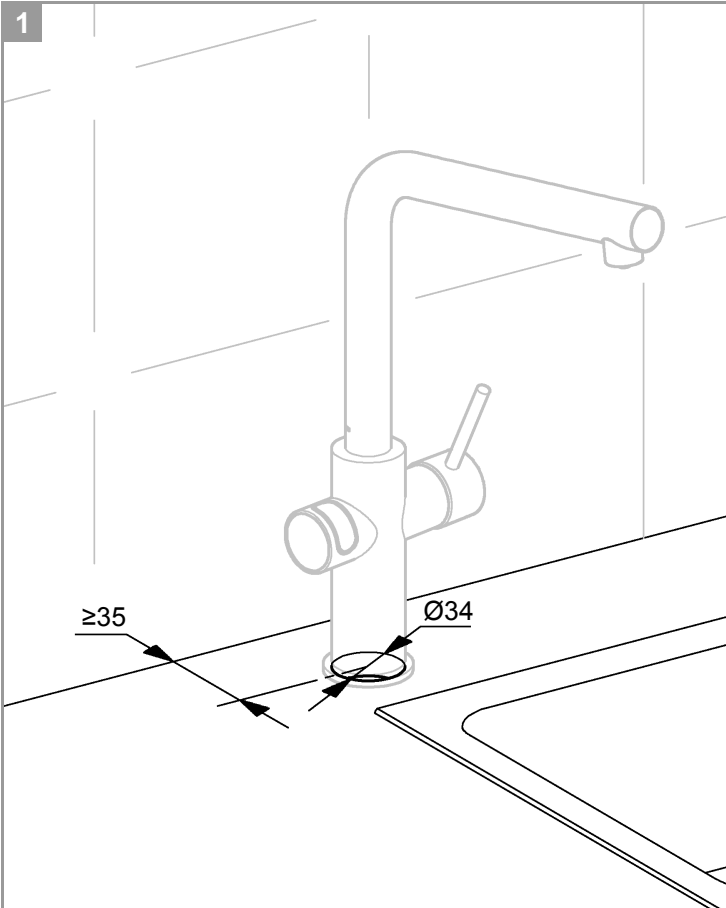


*40 841	*40 412
	*40 430
	*40 547 (AC)
	*40 575 (UltraSafe)
	*40 691 (Mg+)
	

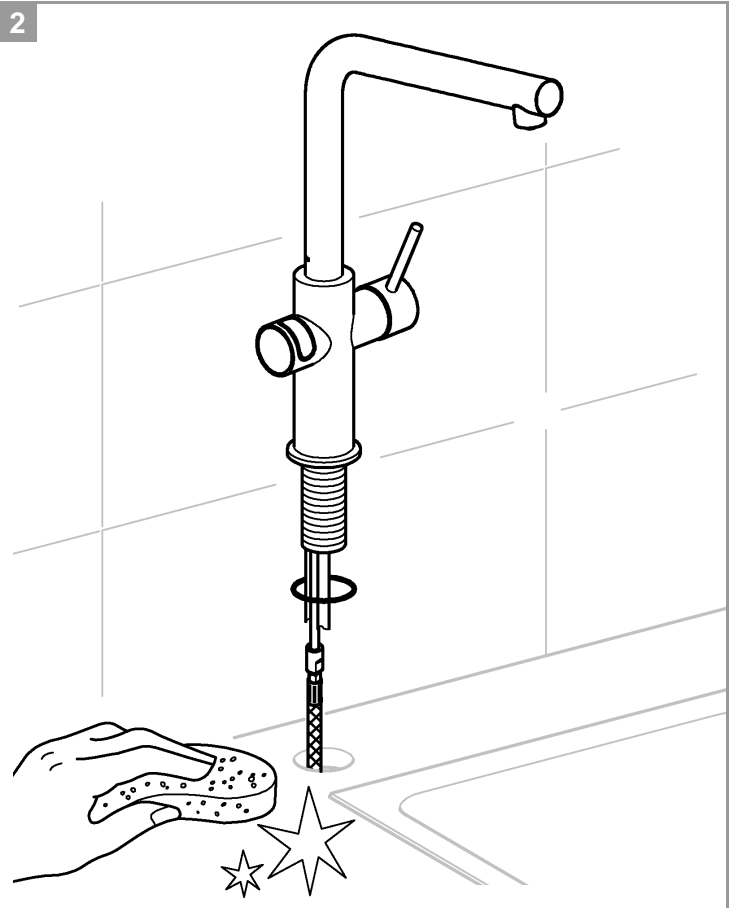




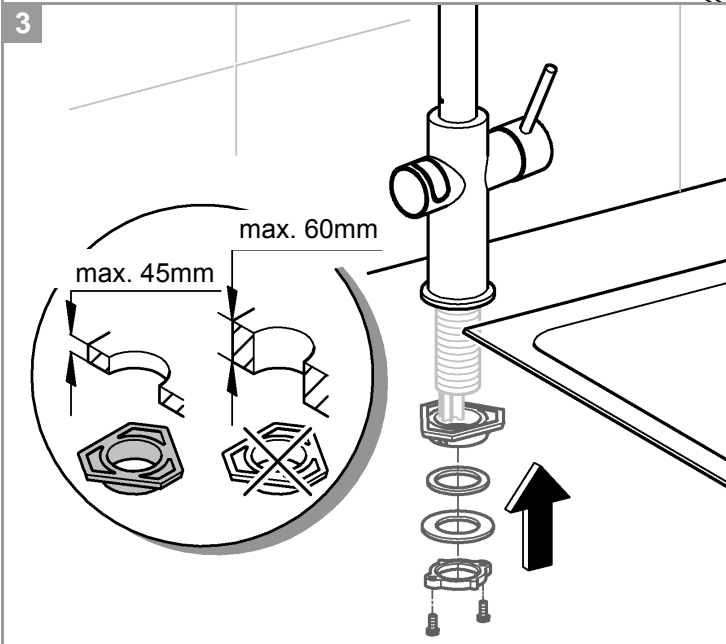
1



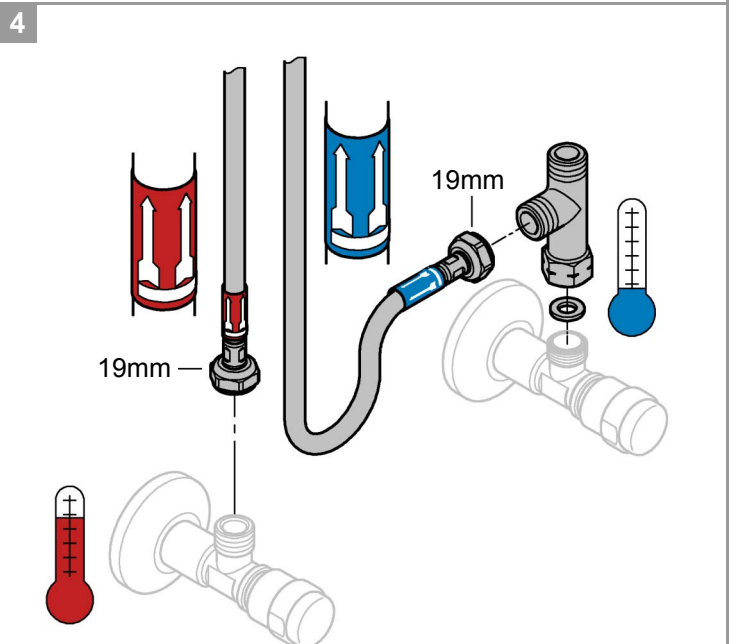
2



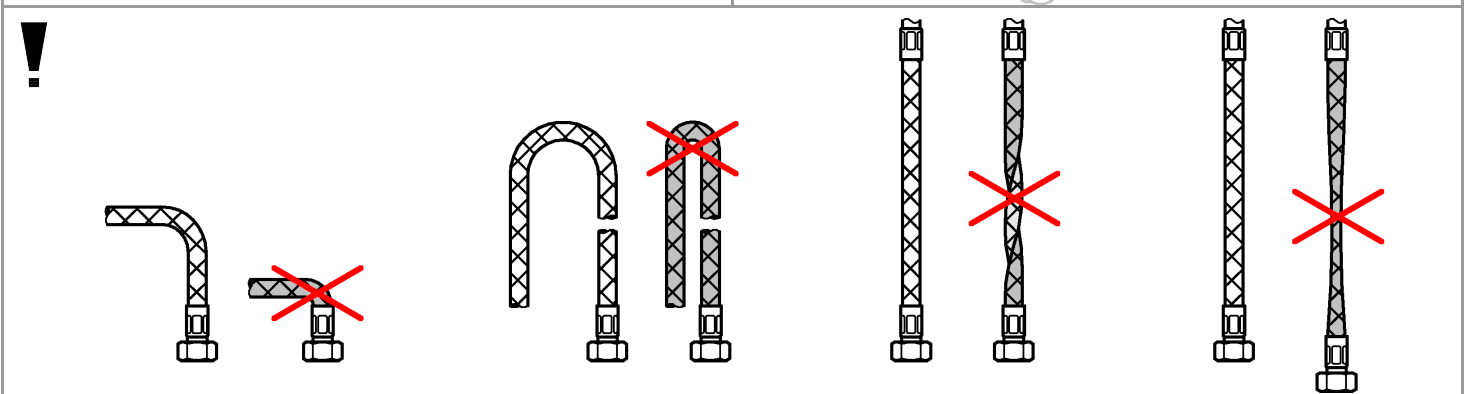
3

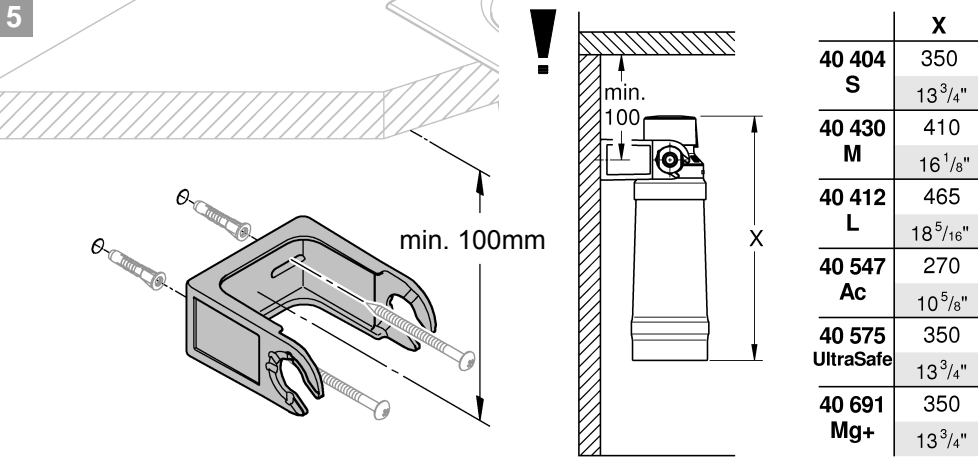


4

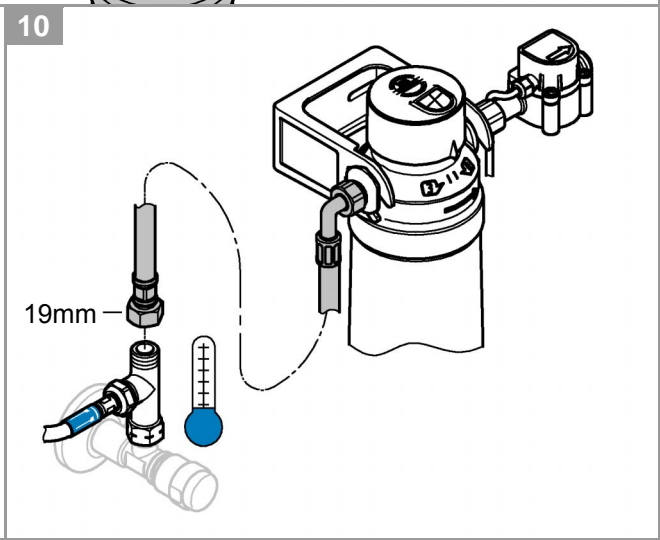
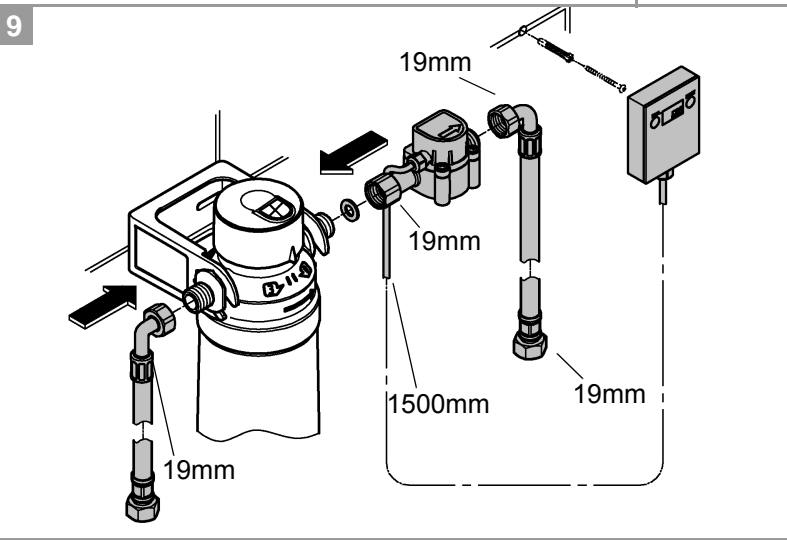
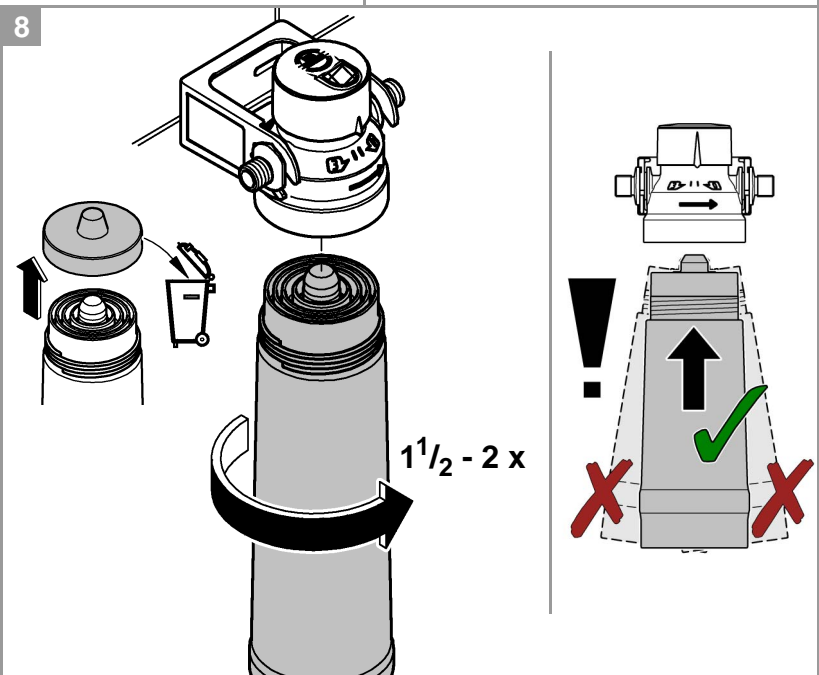
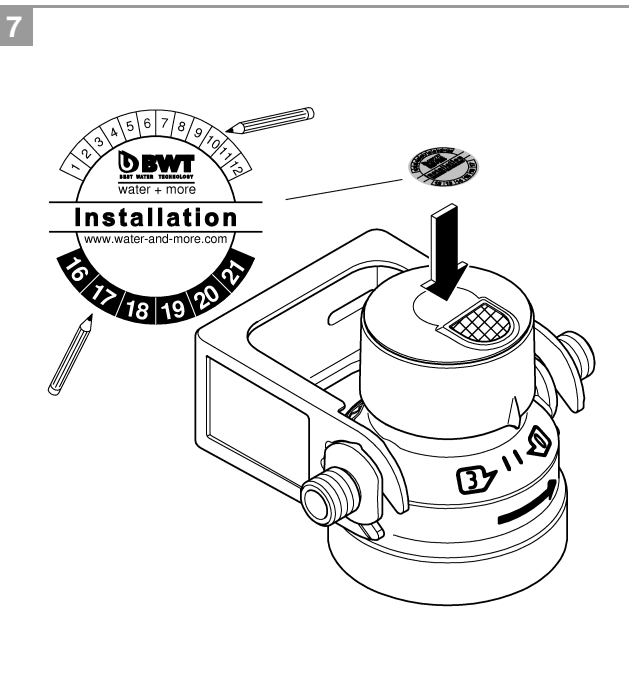
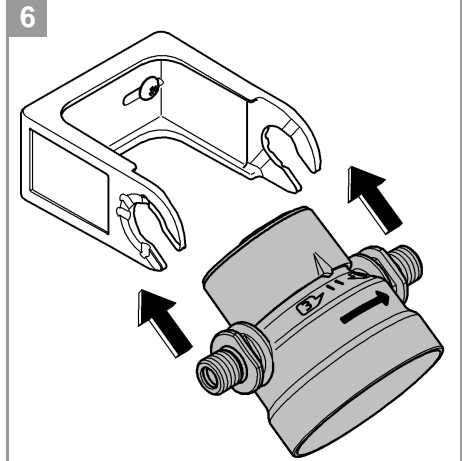


!





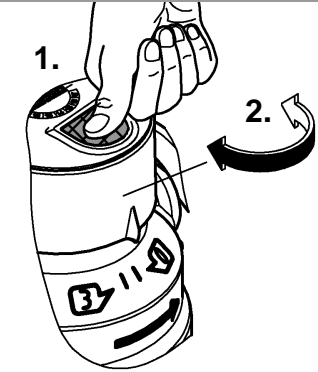
	X
40 404 S	350 13 ³ / ₄ "
40 430 M	410 16 ¹ / ₈ "
40 412 L	465 18 ⁵ / ₁₆ "
40 547 Ac	270 10 ⁵ / ₈ "
40 575 UltraSafe	350 13 ³ / ₄ "
40 691 Mg+	350 13 ³ / ₄ "



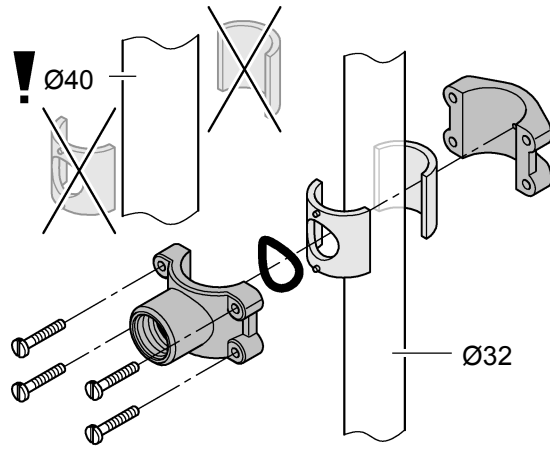
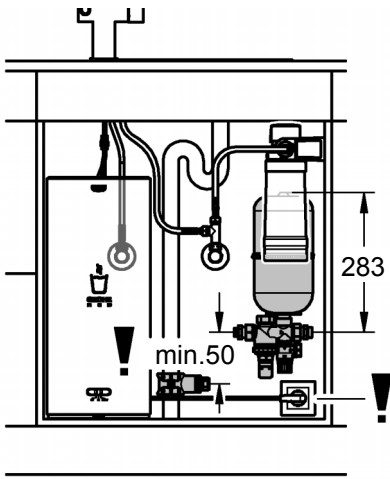
11 Adjust local water hardness (°KH).

°KH

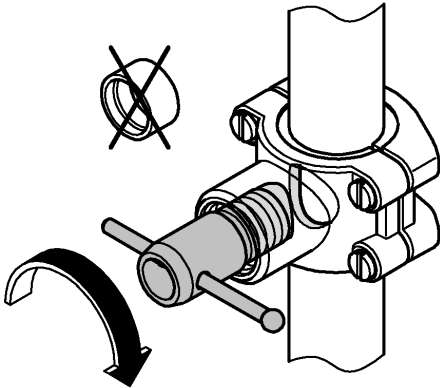
°KH	
< 7	3
7 - 24	2
> 25	1



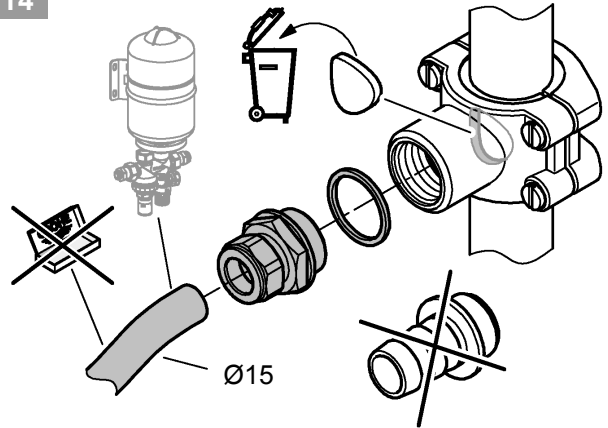
12



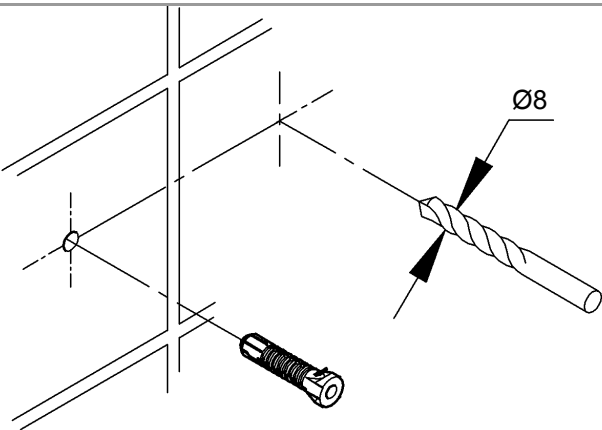
13



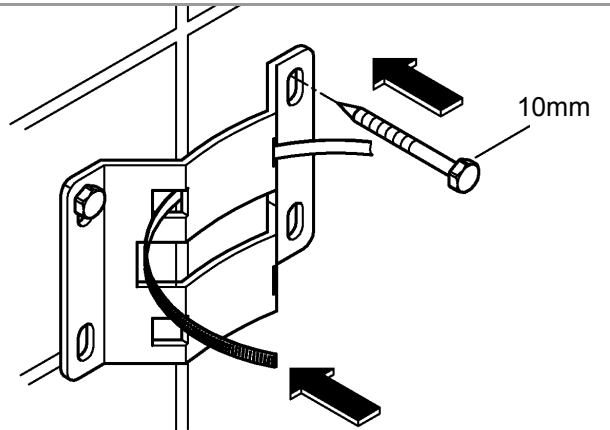
14



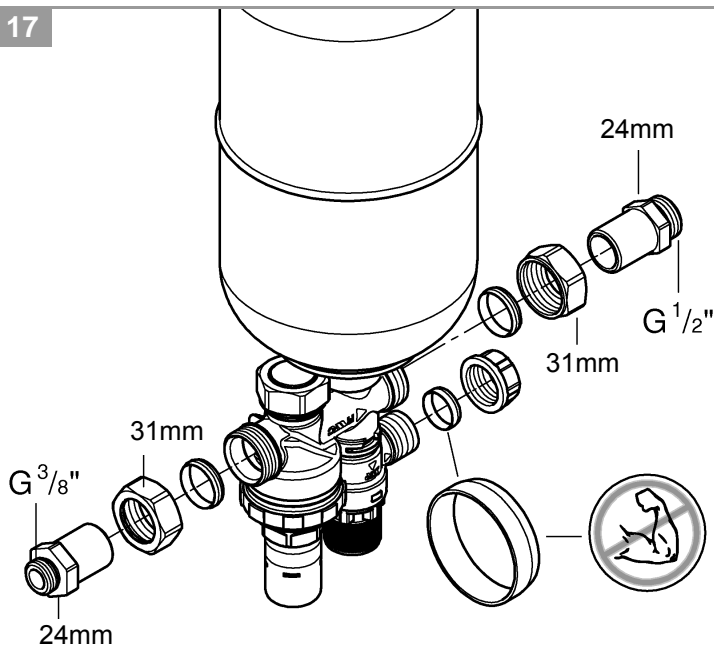
15



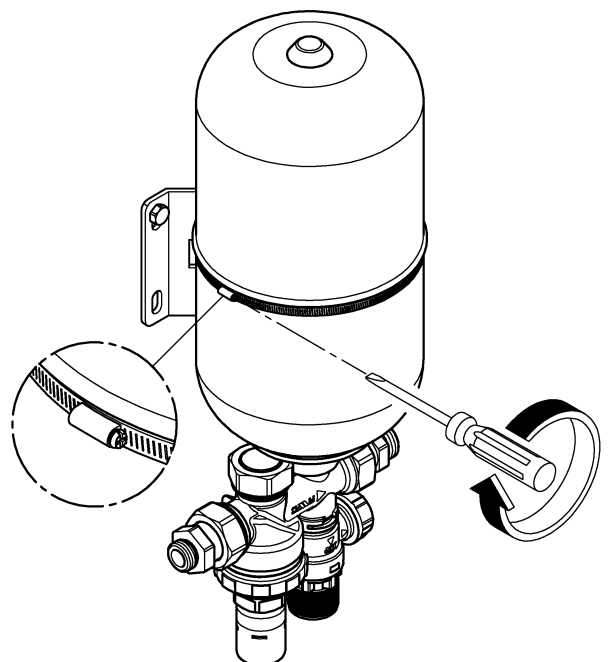
16



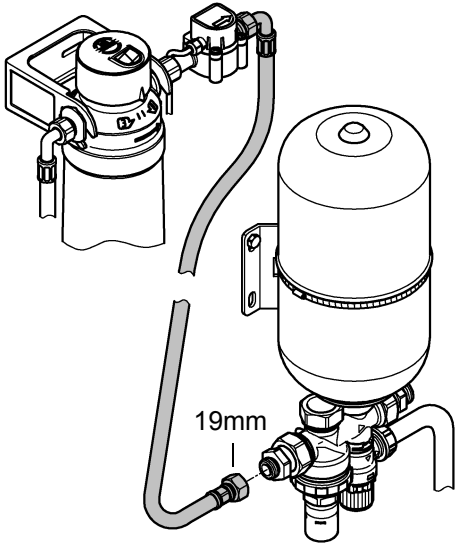
17



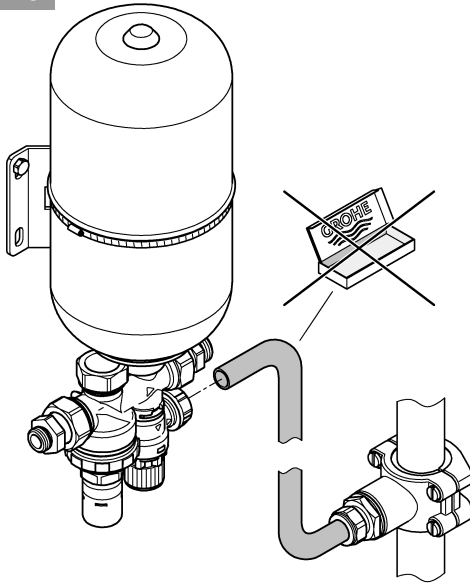
18



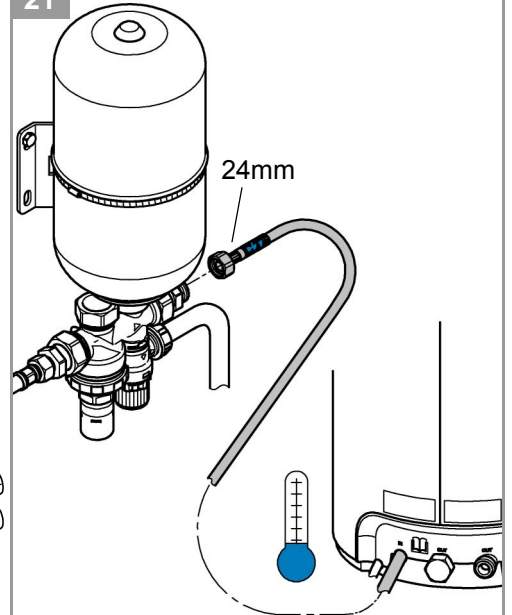
19



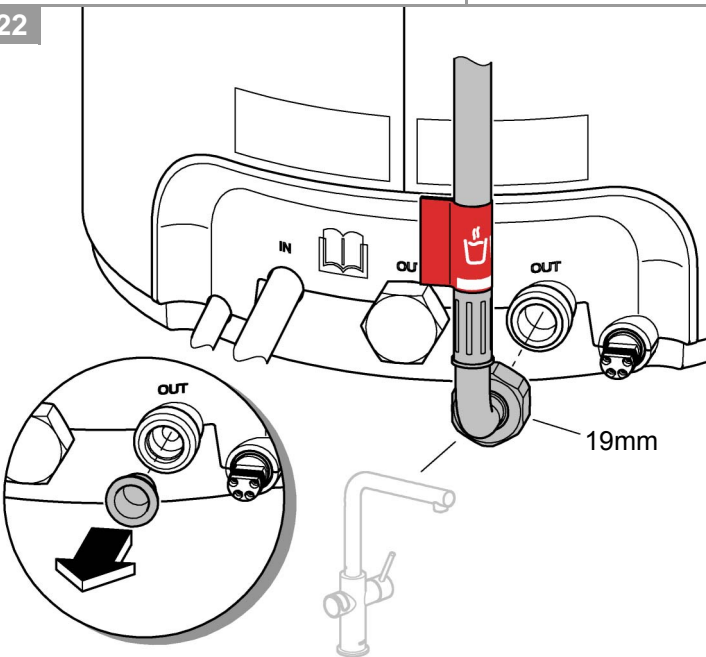
20



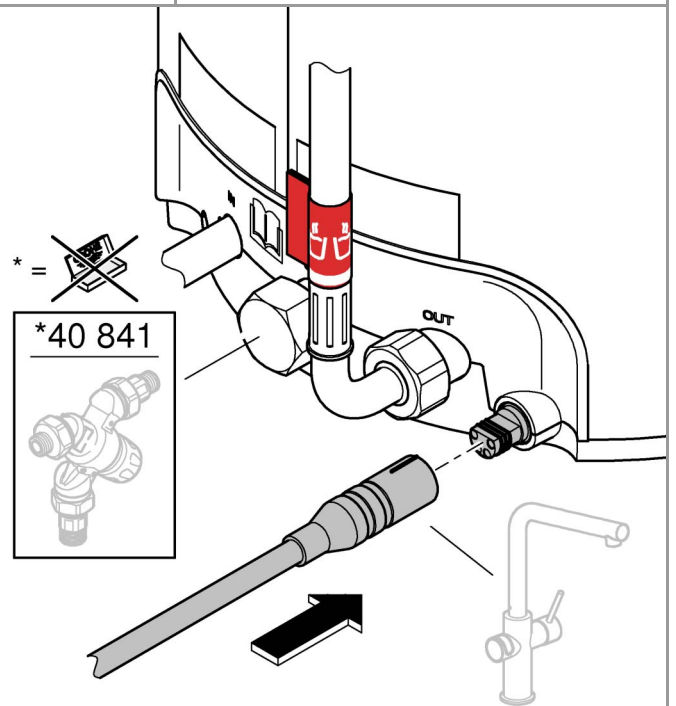
21



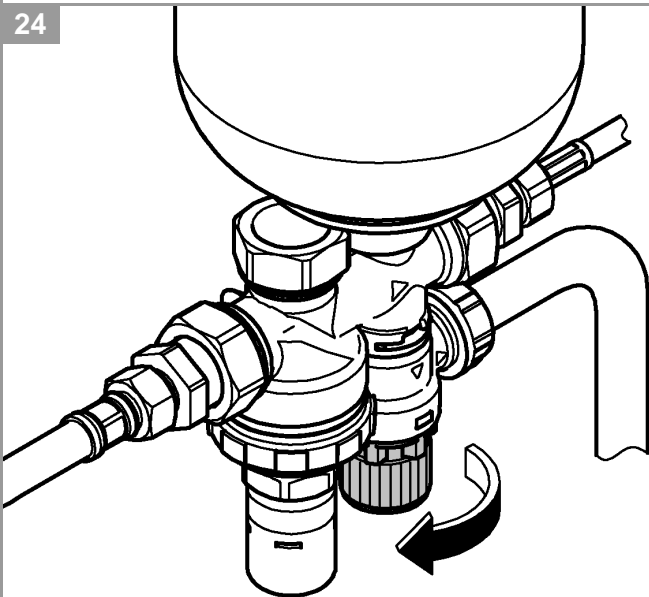
22



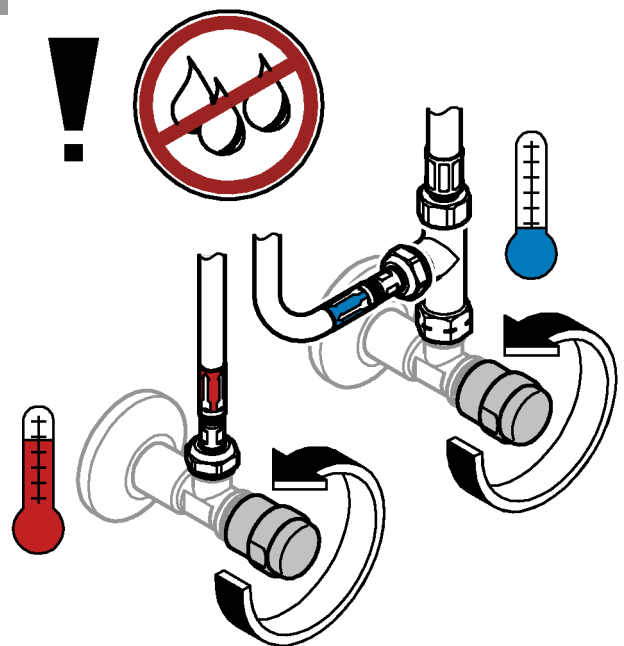
23



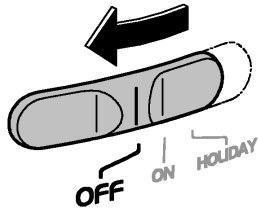
24



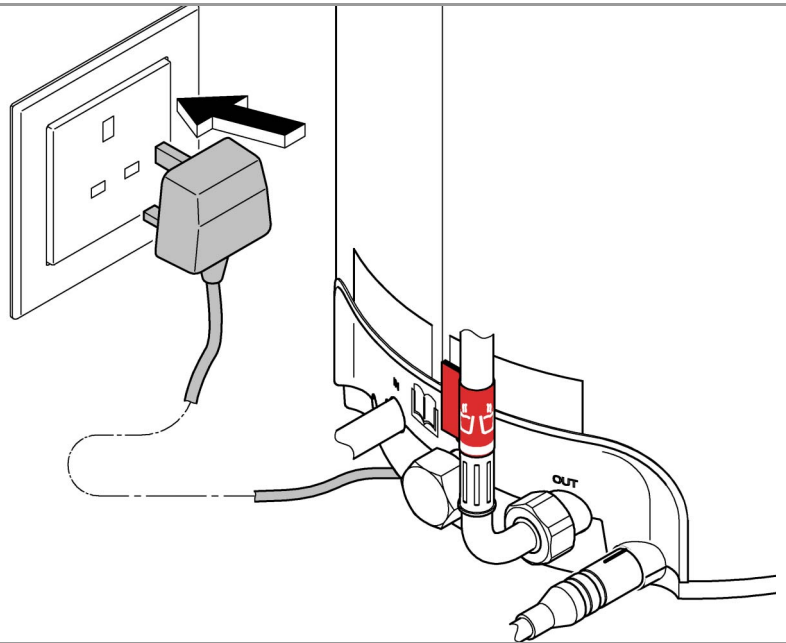
25



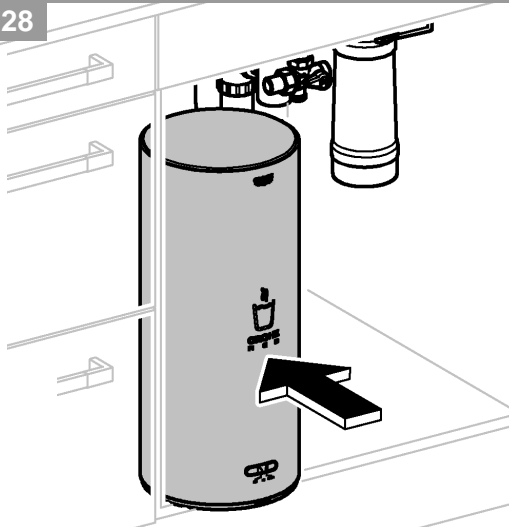
26



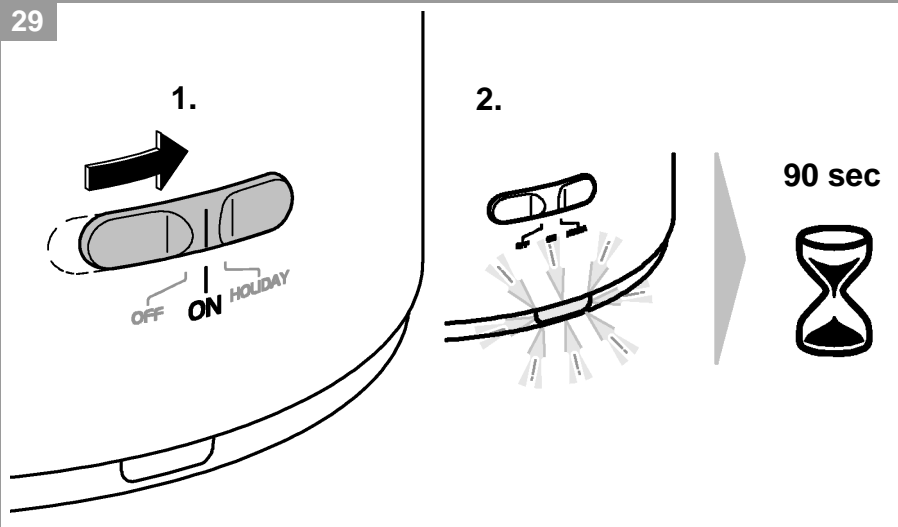
27



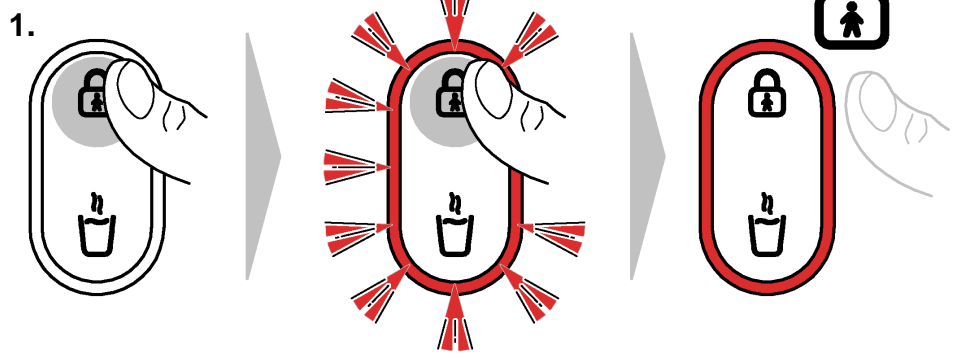
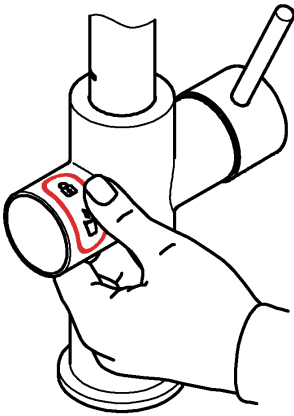
28



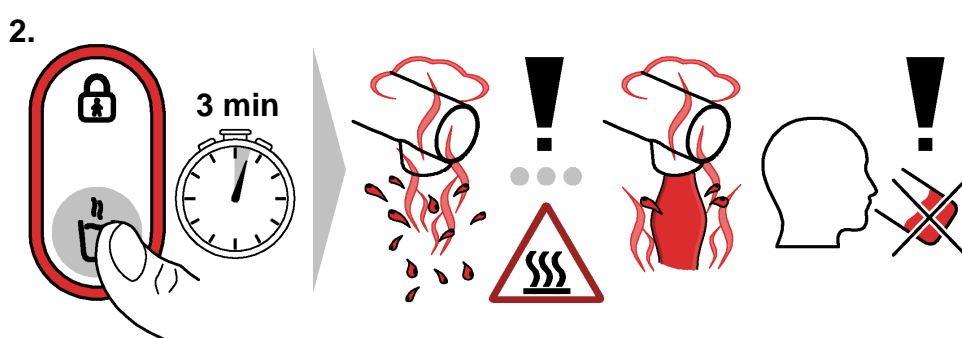
29



30



- i** Press and hold.
- Press repeatedly.
- Let go.





°KH	Filter Capacity					
	S-Size 40404001	M-Size 40430001	L-Size 40412001	Ac 40547001	UltraSafe 40575001	Mg+ 40691001
< 7	2000	5000	7600	3000	3000	1600
7 - 9	1600	4000	6500	-	-	1200
10 - 12	1000	2500	4000	-	-	700
13 - 16	800	2000	3200	-	-	500
17 - 20	600	1500	2500	-	-	400
21 - 24	500	1300	2000	-	-	300
25 - 28	400	1000	1500	-	-	200
29 - 32	300	800	1200	-	-	100
> 32	200	650	1000	-	-	

D / GB / F

Setting the litre specification.



Press and hold.

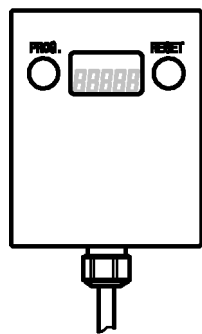
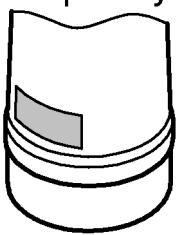


Press repeatedly.

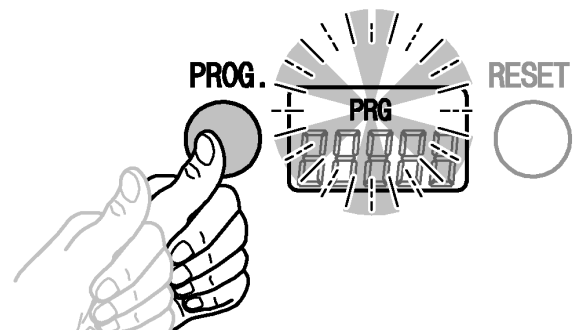


Let go.

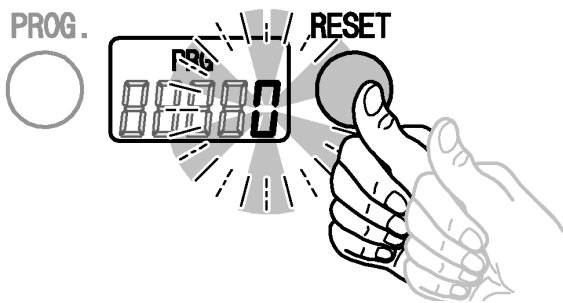
Filter Capacity



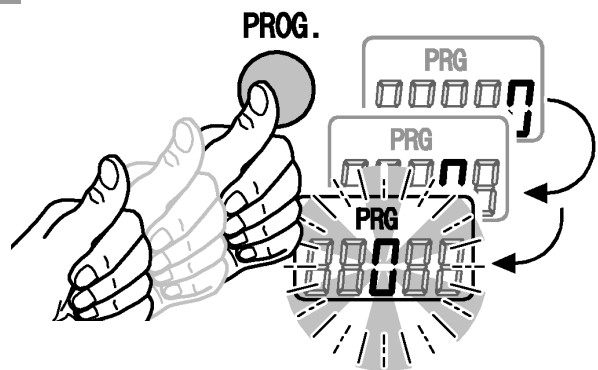
1



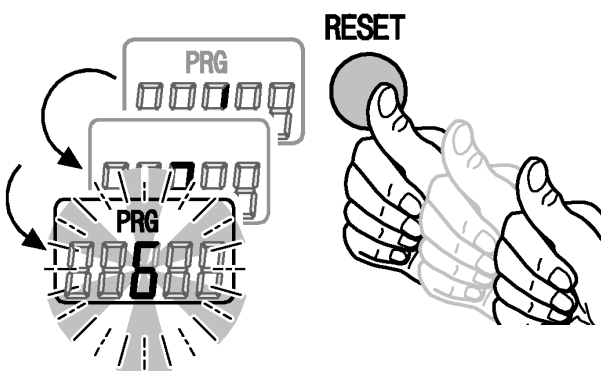
2



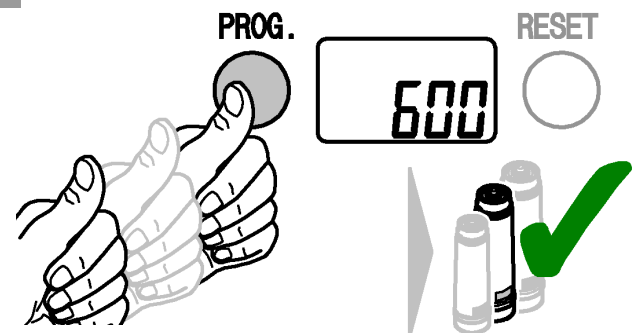
3



4

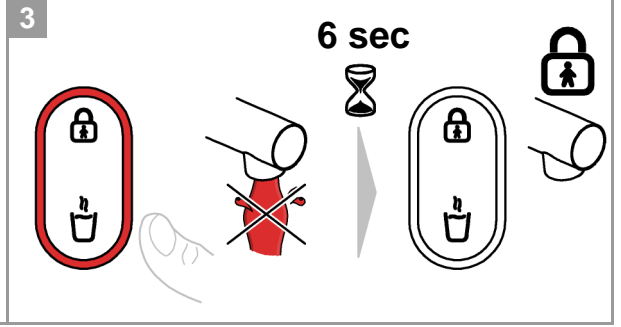
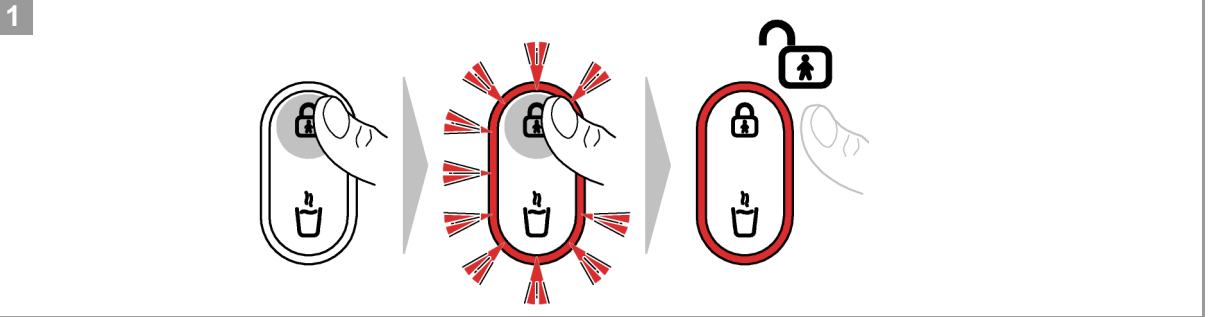


5

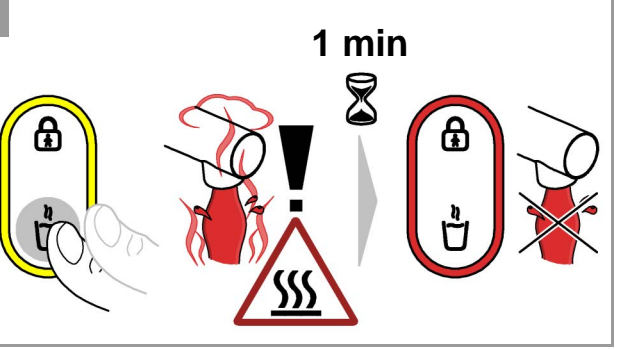
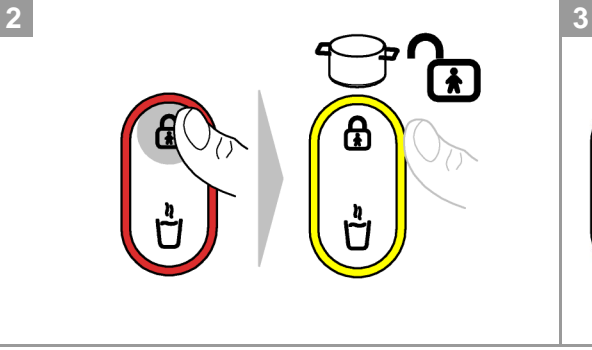
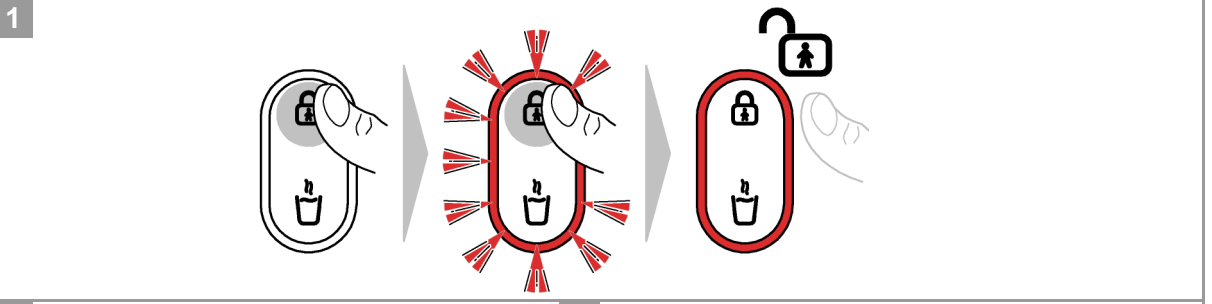




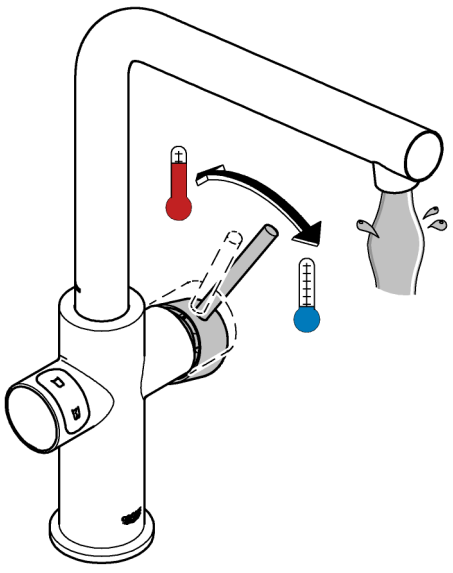
A



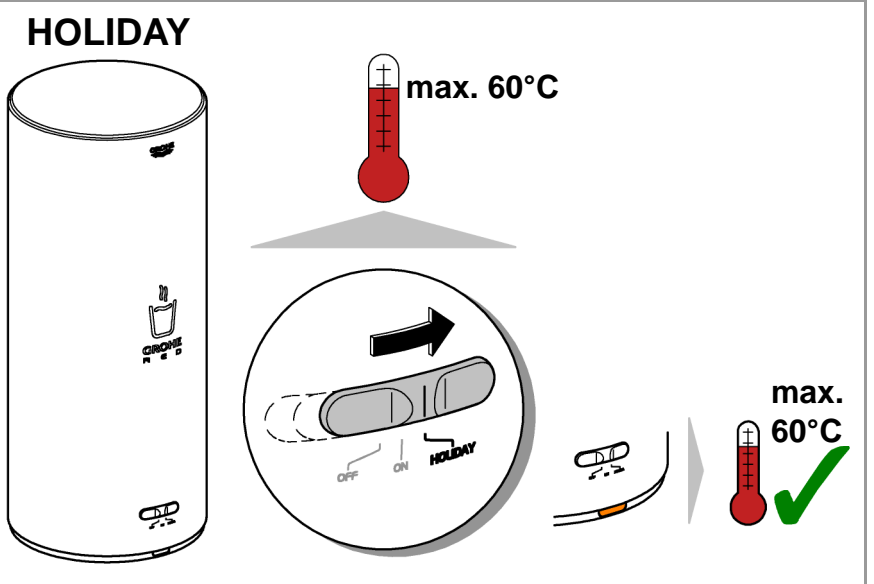
B

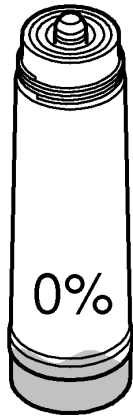
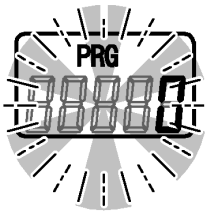


C



D

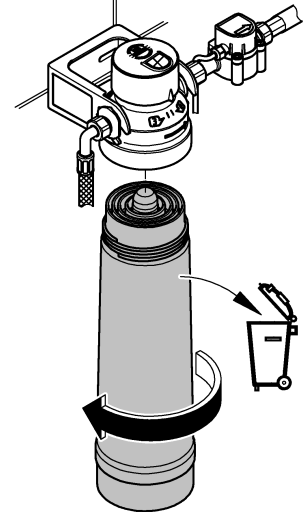




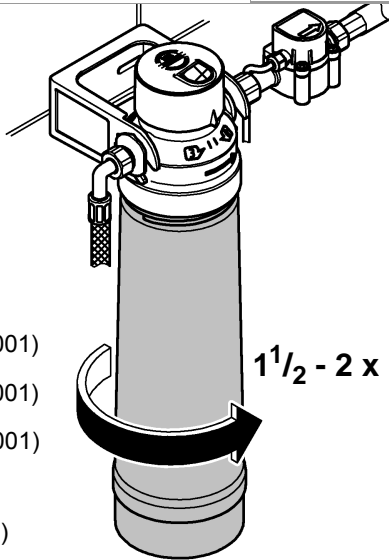
1



2

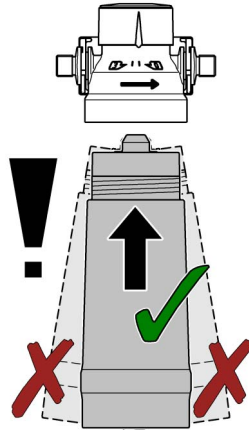


3

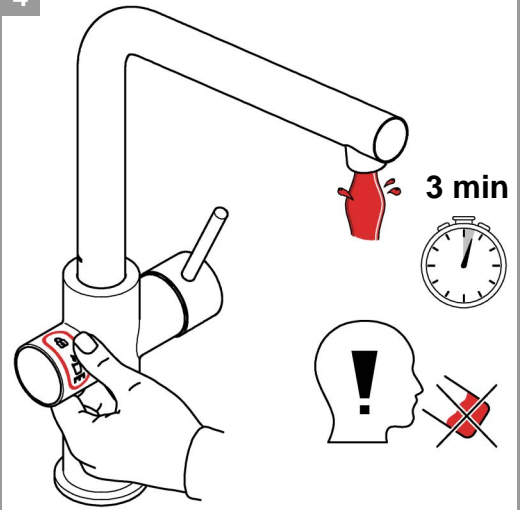


- L-Size** (*40 412 001)
- M-Size** (*40 430 001)
- S-Size** (*40 404 001)
- Ac** (*40 547 001)
- Mg+** (*40 691 001)

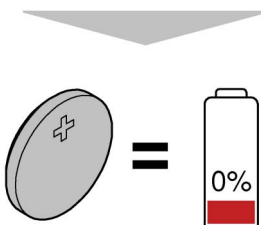
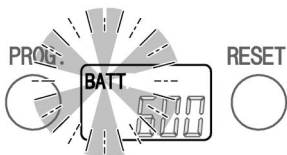
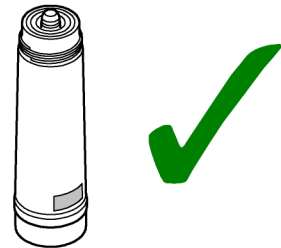
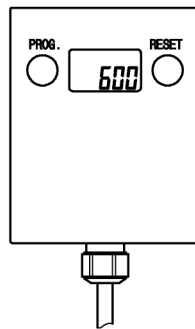
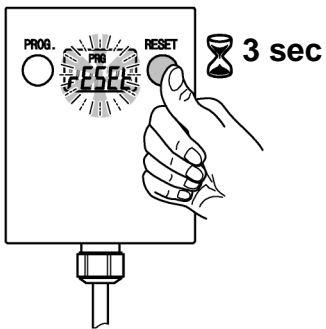
1 1/2 - 2 x



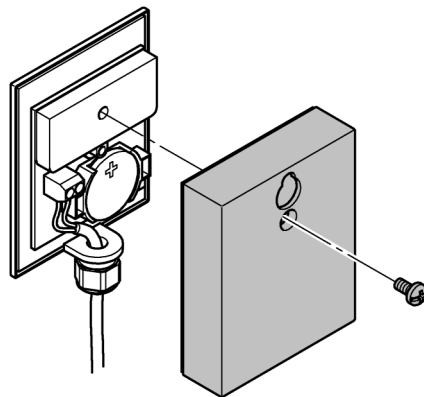
4



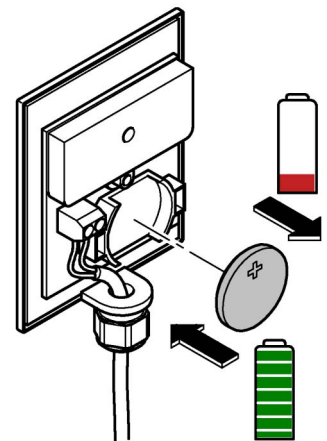
5

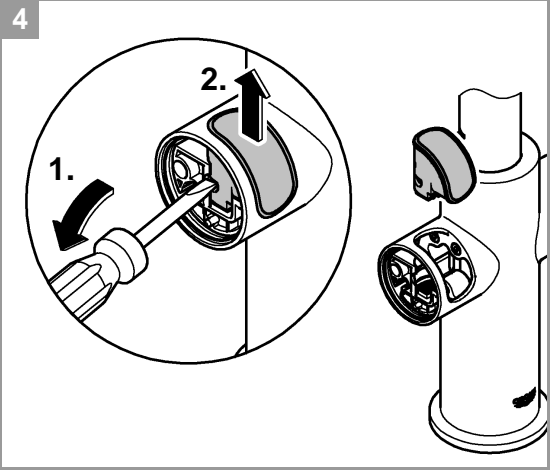
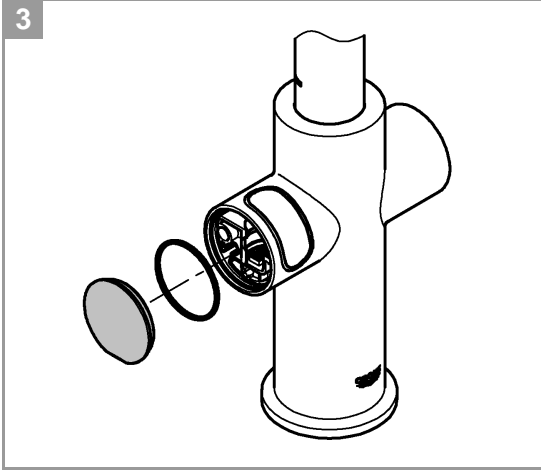
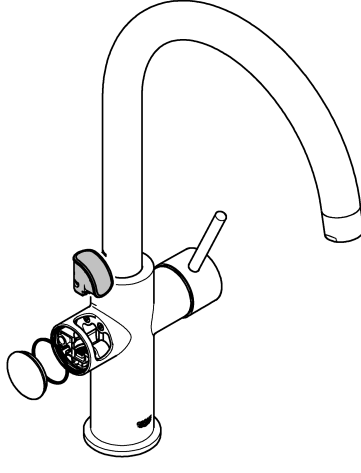
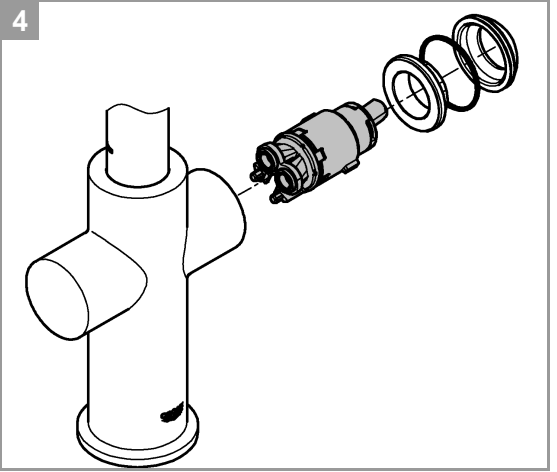
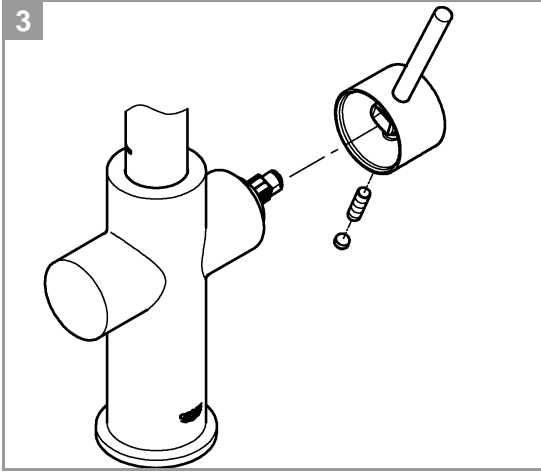
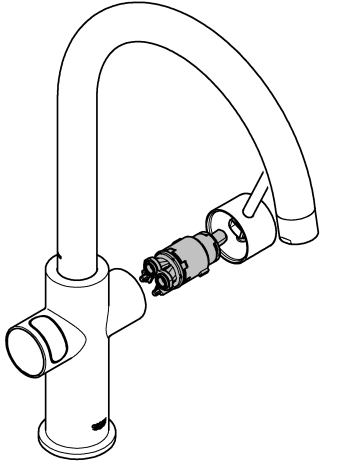
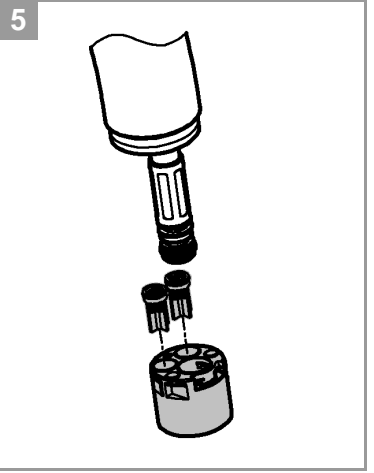
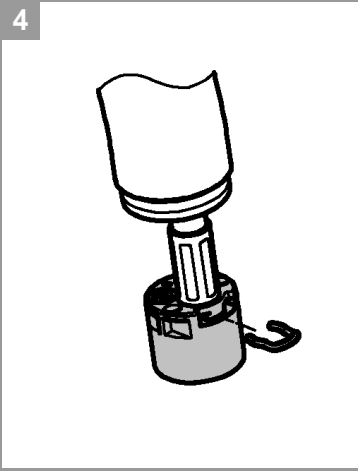
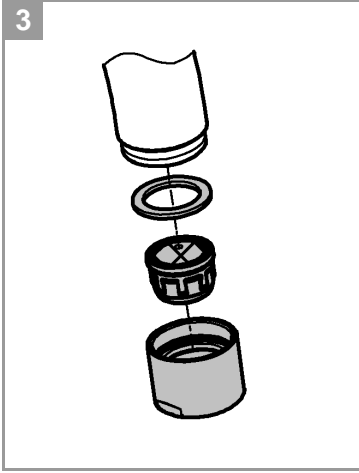
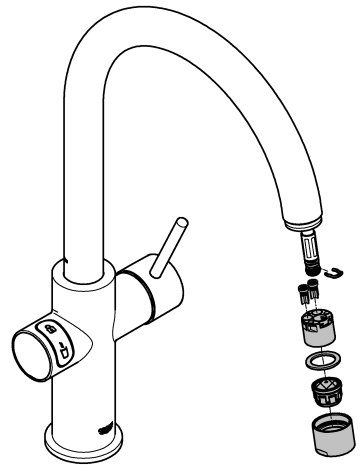
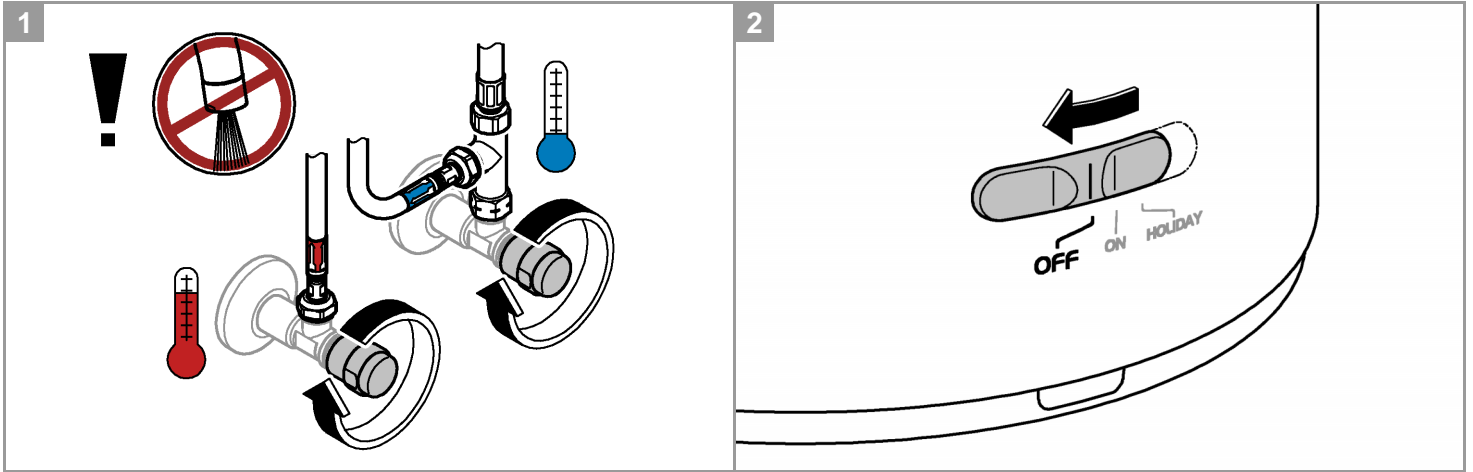


1



2





Safety notes



This device may be used by **children** over 8 years of age, as well as persons with physical, sensory, or mental disabilities or inadequate experience and knowledge, if they are under supervision or were instructed in the safe use of the device and understand the resulting risks.

Children must not play with the device. Cleaning and **user maintenance must not** be carried out by **children** without supervision.

Prevent danger resulting from damaged power supply cables. In the case of damage, the mains cable **must** be replaced by the manufacturer or his customer service department, or an equally qualified person.



Caution, risk of scalding! Escaping water is boiling hot. **Never touch the end of the spout** in order to swivel the spout as it becomes extremely hot.

- The enclosed mains cable and a standard IEC connector box according to IEC 60320-C13 is to be connected exclusively to a hedged with at least 10A and FI protection switch appropriate electrical outlet. The connector must be freely accessible after installation.
- The boiling water storage heater **must** be connected to a permanent power supply.
- Installation of the fitting and boiling water storage heater with filter cartridge **is only permitted** in frost-free rooms.
- The boiling water storage heater is **only** suitable for indoor use.
- The boiling water storage heater **must** be placed in an upright position.
- Place the boiler on a hard, smooth and flat surface.
- Do not place the boiler in a tub or similar.
- During cleaning, do **not** spray the boiling water storage heater or the plug directly or indirectly with water.
- The boiling water storage heater **must not** be opened.
- Use **only genuine replacement parts and accessories**. The use of other parts will result in voiding of the warranty and the CE identification, and could lead to injuries.
- Do not operate a damaged device.
- The filter head **must** be replaced after 5 years by the **GROHE service**.
- Extension cables are **not** permitted between the electrical socket and boiling water storage heater connection.
- The boiling water storage heater **must** be operated with the supplied safety unit.
- The boiling water storage heater may only be operated with a GROHE Red faucet.
- If the operating pressure is not sufficient, the boiling water storage heater must be switched off.
- For transport the boiling water storage heater **must** be drained. For this, the safety unit must be disconnected from the storage heater. **Caution, risk of scalding!** Escaping water is boiling hot.

Technical data boiling water storage heater:

- Connection: Wall socket with earth wire, protected via a 10 A fuse
- Installation high: max. 2000m above sea level
- Voltage supply: 230 V AC / 50 Hz
- Power consumption: 2200 W
- Type of protection: IP X4
- Relative humidity: max. 95%
- Standby power loss (switched on): M: 14 W
L: 15,7 W
- Standby power loss (switched off): 1 W

Sanitary data boiling water storage heater, fitting:

- Boiling water storage heater capacity: M: 4 l
L: 7 l
- Available storage heater volume at 99 °C: M: approx 3 l
L: approx 5.5 l
- Flow pressure:
 - min. 0.1 MPa
 - recommended 0.1 – 0.5 MPa
- Operating pressure: max. 0.2 – 0.8 MPa
- Test pressure: 1.6 MPa
- Flow rate at 0.3 MPa flow pressure
 - Mixed water: approx. 6 l/min
 - Boiling water: approx. 3 l/min
- Ambient temperature: 0 °C – 40 °C
- Boiling water temperature 99 °C
The actual temperature may differ slightly due to different ambient pressures
- Heating time from 10 °C to 99 °C: M: approx. 20 min
L: approx. 30 min
- Water connection at storage heater: Cold water
- Water connection at fitting: Warm/Cold water from service valve
Boiling water from storage heater

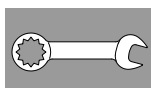
In regions with a carbonate hardness above 10 °KH a filter system with ion exchanger **must** be used (S, M, L or MG+ filter)

The relevant water supplier can provide information on the water hardness.

Thermal disinfection of the fitting is possible.

Signalisations

Status	Storage heater-LED	Fitting-LED
Initialisation	white, permanent	-
Boiler heating up	red, flashing	-
Ready for use	red, permanent	-
Holiday mode cooling down	orange, flashing	-
Holiday mode	orange, permanent	-
Child-lock deactivation process	-	red, flashing
Child-lock deactivated	-	red, permanent
Pot filler deactivation process	-	yellow, flashing
Pot filler	-	yellow, permanent
Error	purple, flashing/permanent	purple, flashing/permanent



Installation and commissioning

Flush pipes thoroughly before and after installation (observe EN 806).

If only a cold water service valve is available you need the mixing device 40 841 001 to generate warm tap water.

Check all connection systems for leakage and retighten if necessary.

Adjust bypass of filterhead according to local carbonate hardness and connect filter cartridge.

The carbonate hardness can be tested by using the enclosed test strip or the relevant water supplier can provide information on the carbonate hardness.

Important note

The volume of water in the storage heater will expand as it is heated. The expansion water must drip out at funnel of safety assembly.

This process is necessary and normal.

Control:

The cooler/carbonator is set for operation with the S-Size filter cartridge (Prod no.: 40 404 001) at the factory.

For operation with other filter cartridges the cooler/carbonator must be switched over, see also page 8.

Button		Display
PROG. 	Briefly press PROG button (PRG flashes)	
RESET 	Briefly press RESET button to access programming for litre specification (00000)	
PROG. 	Keep pressing PROG button until required position is reached (00000 digit flashes)	
RESET 	Keep pressing RESET button until required digit is reached (00600 digit flashes)	
PROG. 	Keep pressing PROG button to exit menu (PRG disappears and set value appears)	



Operation, see page 9.

Unlock the child safety device to get boiling water, see **A**.

Key combination for filling pots with boiling water, see **B**.

To get cold or hot water, see **C**.

Activation of the holiday mode, see **D**.



Maintenance and Cleaning

Important! Risk of damage!

- Always disconnect the power supply before carrying out maintenance work on the system. The plug-in connector can then be disconnected.

In the case of interventions in the mains supply or maintenance work, the GROHE Red boiling system must be bled as steam jets could otherwise occur.

Close the service valve, switch off the storage heater and disconnect the mains plug.

Wait until the storage heater and the fitting have cooled down. Open the lever to depressurise the storage heater.

Inspect and clean all parts, replace as necessary and lubricate with special grease.

Empty the storage heater:

- Wait until the storage heater and the fitting have cooled down
- Open the lever of the fitting and the rotary knob on the safety unit to depressurise the storage heater
- Remove the cap, or the hose to the mixing valve and drain the storage heater via the connecting hose to the safety unit



Service

Fault ?	Cause !	Remedy ✓
Water not flowing Handle flashes once purple	<ul style="list-style-type: none"> Filter not installed correctly Hoses kinked Water supply interrupted 	<ul style="list-style-type: none"> Insert filter straight (1½ - 2 turns) Check hoses for kinks Open fully shut-off valves
Handle is permanently purple	<ul style="list-style-type: none"> System error 	<ul style="list-style-type: none"> Contact GROHE customer service

The GROHE boiling water storage heater may only be repaired by GROHE Service.

Environment and recycling

For reasons of hygiene, it is not possible to recycle used filter cartridges.

Used filter cartridges can be disposed of hazard-free as residual waste.

The boiling water storage heater is an electrical device, to which return and take-back obligations apply in many countries. GROHE participates in such take-back systems in all relevant countries.



This category of device does **not** belong in the domestic waste, but **must** be disposed of separately in accordance with the relevant local national regulations.

Pure Freude an Wasser

GROHE
WAVES

D
& +49 571 3989 333
impressum@grohe.de

A
& +43 1 68060
info-at@grohe.com

AUS
Argent Sydney
& +(02) 8394 5800
Argent Melbourne
& +(03) 9682 1231

B
& +32 16 230660
info.be@grohe.com

BG
& +359 2 9719959
grohe-bulgaria@grohe.com

CAU
& +99 412 497 09 74
info-az@grohe.com

CDN
& +1 888 6447643
info@grohe.ca

CH
& +41 448777300
info@grohe.ch

CN
& +86 21 63758878

CY
& +357 22 465200
info@grome.com

CZ
& +420 277 004 190
grohe-cz@grohe.com

DK
& +45 44 656800
grohe@grohe.dk

E
& +34 93 3368850
grohe@grohe.es

EST
& +372 6616354
grohe@grohe.ee

F
& +33 1 49972900
marketing-fr@grohe.com

FIN
& +358 10 8201100
teknocalor@teknocalor.fi

GB
& +44 871 200 3414
info-uk@grohe.com

GR
& +30 210 2712908
nsapountzis@ath.forthnet.gr

H
& +36 1 2388045
info-hu@grohe.com

HK
& +852 2969 7067
info@grohe.hk

I
& +39 2 959401
info-it@grohe.com

IND
& +91 124 4933000
customercare.in@grohe.com

IS
& +354 515 4000
jonst@byko.is

J
& +81 3 32989730
info@grohe.co.jp

KZ
& +7 727 311 07 39
info-cac@grohe.com

LT
& +372 6616354
grohe@grohe.ee

LV
& +372 6616354
grohe@grohe.ee

MAL
& +1 800 80 6570
info-singapore@grohe.com

N
& +47 22 072070
grohe@grohe.no

NL
& +31 79 3680133
vragen-nl@grohe.com

NZ
& +09/373 4324

P
& +351 234 529620
commercial-pt@grohe.com

PL
& +48 22 5432640
biuro@grohe.com.pl

RI
& +62 21 2358 4751
info-singapore@grohe.com

RO
& +40 21 2125050
info-ro@grohe.com

ROK
& +82 2 559 0790
info-singapore@grohe.com

RP
& +63 2 8041617

RUS
& +7 495 9819510
info@grohe.ru

S
& +46 771 141314
grohe@grohe.se

SGP
& +65 6 7385585
info-singapore@grohe.com

SK
& +420 277 004 190
grohe-cz@grohe.com

T
& +66 2610 3685
info-singapore@grohe.com

TR
& +90 216 441 23 70
GroheTurkey@grome.com

UA
& +38 44 5375273
info-ua@grohe.com

USA
& +1 800 4447643
us-customerservice@grohe.com

VN
& +84 8 5413 6840
info-singapore@grohe.com

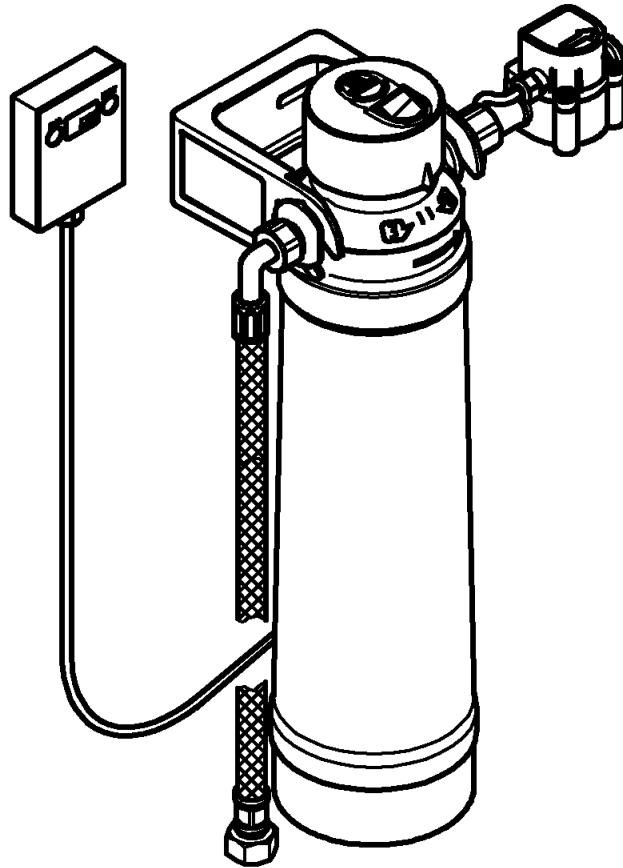
AL **BiH** **HR** **KS**
ME **MK** **SLO** **SRB**
& +385 1 2911470
adria-hr@grohe.com

**Eastern Mediterranean,
Middle East - Africa
Area Sales Office:**
& +357 22 465200
info@grome.com

IR **OM** **UAE** **YEM**
& +971 4 3318070
grohedubai@grome.com

Far East Area Sales Office:
& +65 6311 3600
info@grohe.com.sg

40 438



GROHE *Filter Set*

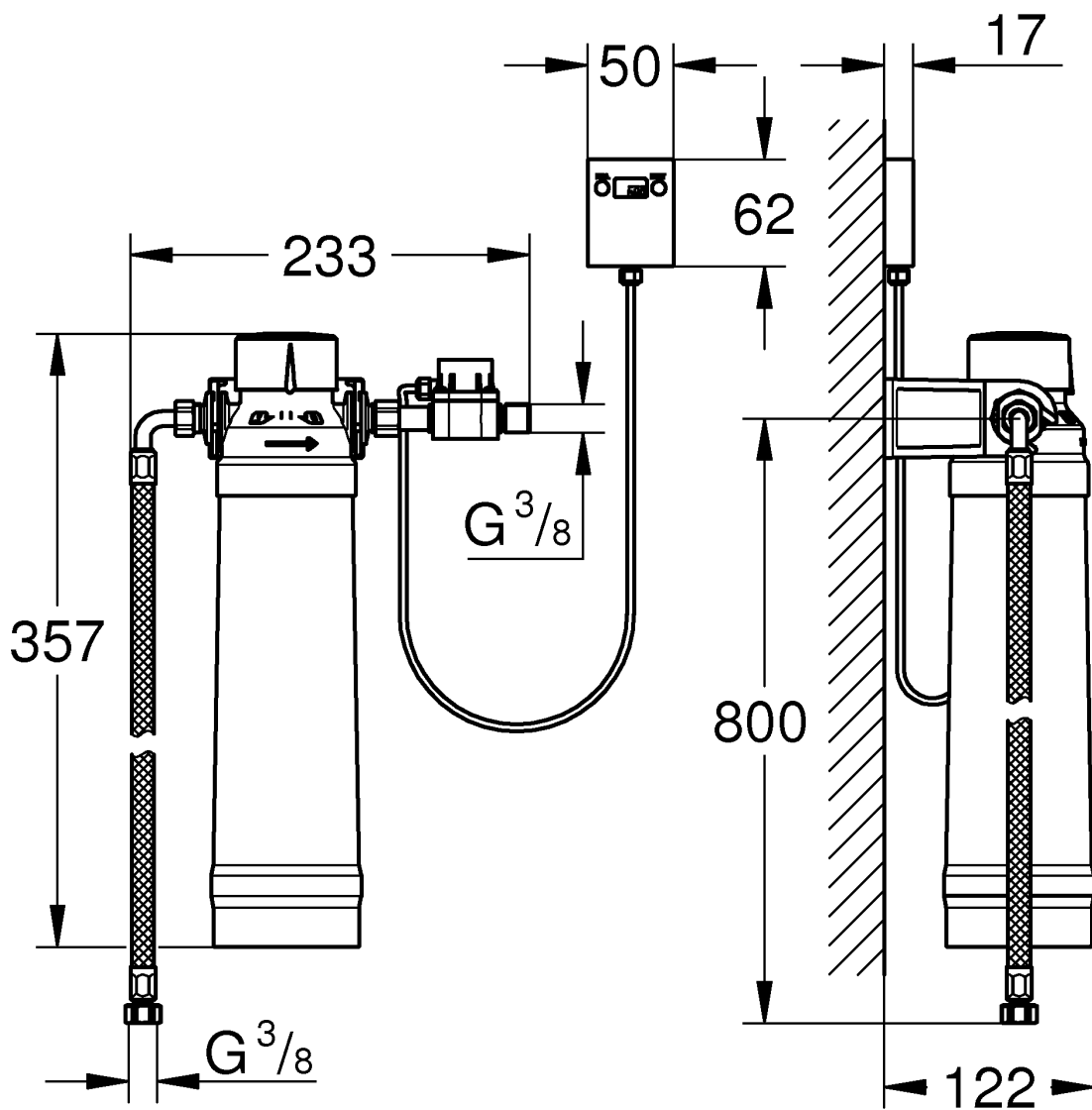
D1	NL6	PL11	P16	BG21	CN26
GB2	S7	UAE12	TR17	EST22	UA27
F3	DK8	GR13	SK18	LV23	RUS28
E4	N9	CZ14	SLO19	LT24	
I5	FIN10	H15	HR20	RO25	

Design + Engineering GROHE Germany

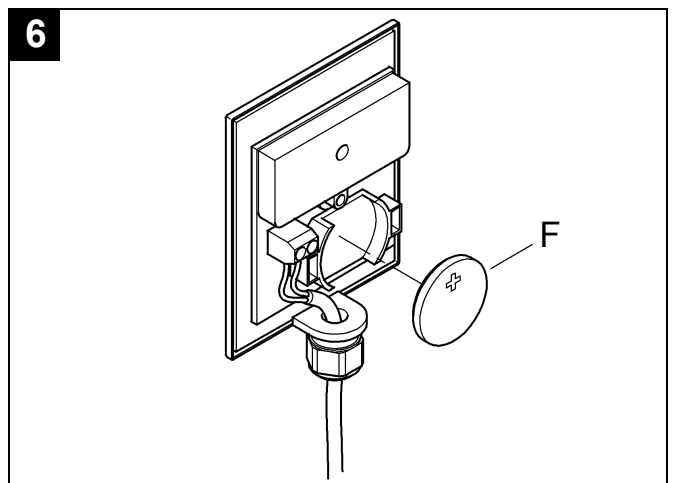
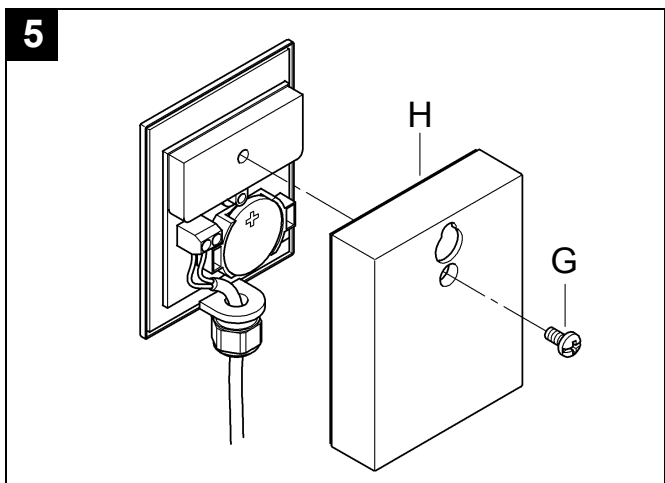
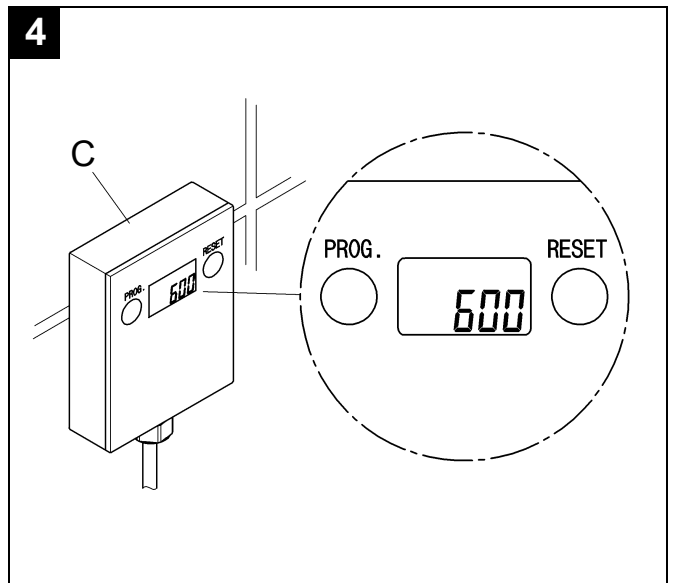
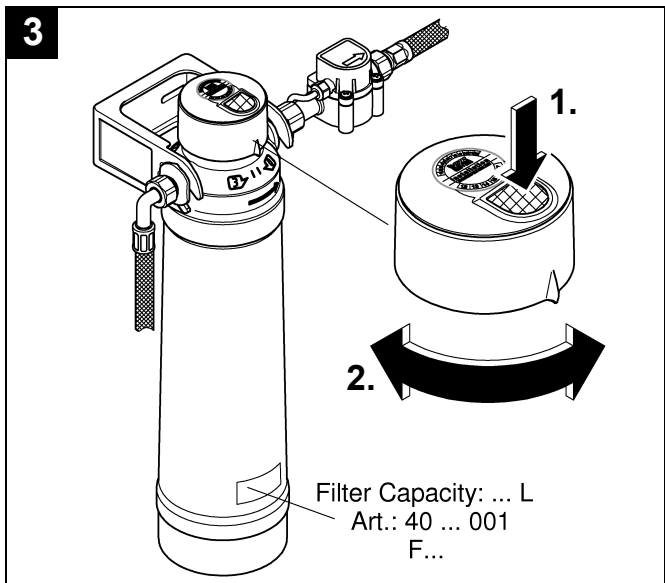
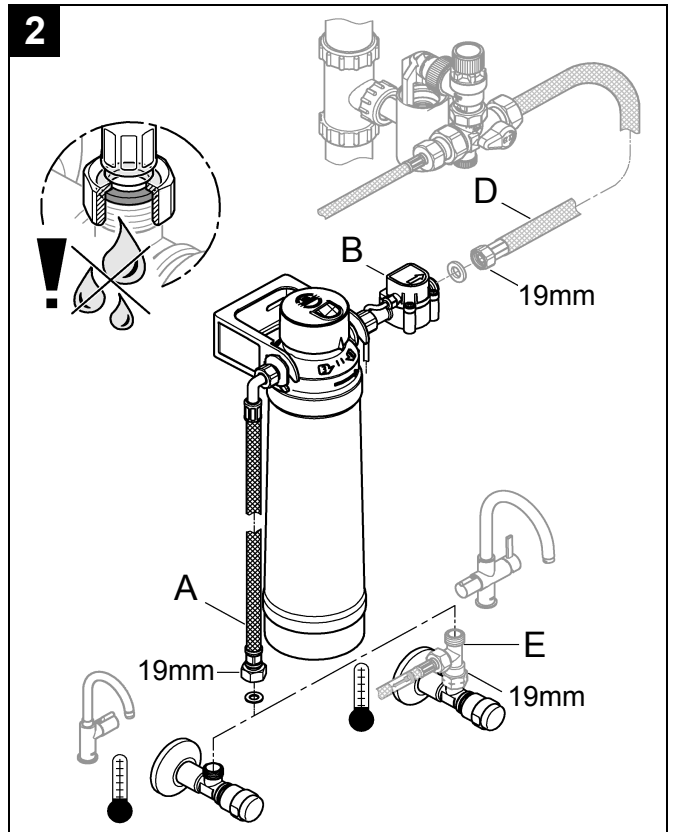
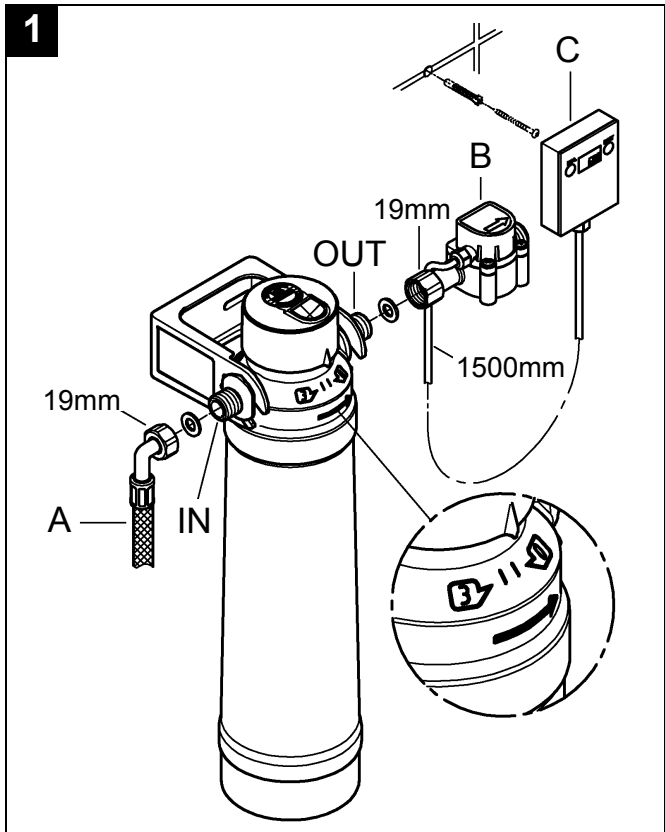
99.0228.031/ÄM 230473/05.14

BWT
BEST WATER TECHNOLOGY

GROHE
ENJOY WATER®



Bitte diese Anleitung an den Benutzer der Armatur weitergeben!
Please pass these instructions on to the end user of the fitting!
S.v.p remettre cette instruction à l'utilisateur de la robinetterie!



D

Anwendungsbereich

Das Filtersystem darf nur zusammen mit einem original GROHE Red Kochendwasser-Speicher und Armatur betrieben werden.

Das Filtersystem misst mit einem Sensor den Durchfluss und errechnet daraus die Restkapazität der Filterkartusche in Abhängigkeit von der eingestellten Literleistung. Wird die in der Anzeigeeinheit eingestellte Literleistung der Filterkartusche überschritten, werden die Werte negativ angezeigt. Außerdem überwacht der Sensor die maximale Einsatzdauer der Filterkartusche. Wird die maximale Einsatzdauer von 12 Monaten überschritten, blinkt die Restkapazität der Filterkartusche.


Das Filtersystem reduziert die Karbonathärte und muss in Regionen mit einer Karbonathärte über 12 °KH verwendet werden.

Das Wasserfiltrat ist gemäß EN 1717 in die Kategorie 2 eingestuft.

Technische Daten

- Fließdruck:
 - min. 0,1 MPa
 - empfohlen 0,2 – 0,5 MPa
- Betriebsdruck: max. 0,2 – 0,8 MPa
- Batterie Sensor: 3 V-Lithium Batterie (Typ CR 2032)
- Schutzart Anzeigeeinheit (Wandmontage): IPX4
- Schutzart Sensor: IPX8

Zulassung und Konformität

 Dieses Produkt entspricht den Anforderungen der entsprechenden EU-Richtlinien.

Die Übereinstimmungserklärungen können unter der folgenden Adresse angefordert werden:

GROHE Deutschland Vertriebs GmbH

Zur Porta 9
D-32457 Porta Westfalica

Installation

Maßzeichnung auf Klappseite I beachten.

Anschluss Filterkopf und Filter, siehe Technische Produktinformation des Filterkopfes und der Filterkartusche und Klappseite II, Abb. [1]. Fließrichtung beachten.

1. Druckschlauch (A) am Eingang des Filterkopfes montieren.
 2. Sensor (B) am Ausgang des Filterkopfes montieren. Der Sensor (B) muss horizontal montiert werden.
 3. Anzeigeeinheit (C) montieren.
- Geeignete Schrauben und ggf. Dübel verwenden (nicht im Lieferumfang enthalten).

Anschluss Filtersystem, siehe Abb. [2].

1. Druckschlauch (D) auf Sensor (B) schrauben.
2. Druckschlauch (A) des Filtersystems auf Adapter (E) [Duo] oder direkt auf den Kaltwasseranschluss [Mono] schrauben.
3. Das GROHE Red-Kochendwasser-System gemäß der dem Produkt beiliegenden Technischen Produktinformation montieren.

 **Spannungsversorgung des GROHE Red Kochendwasser-Speichers noch nicht herstellen!**

Kaltwasserzufuhr öffnen und Anschlüsse auf Dichtheit prüfen.




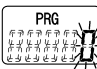



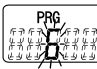

Karbonathärte am Filterkopf einstellen, siehe Abb. [3]. Karbonathärte an der Bypass-Einstellung des Filterkopfs auf lokale Verhältnisse einstellen, siehe Tabellenspalte **A** auf Seite III.

Die Karbonathärte kann beim zuständigen Wasserversorger erfragt werden.

Die im Filterkopf eingestellte Bypass-Einstellung, muss als Litervorgabe in die Anzeigeeinheit (C) übertragen werden, siehe Abb. [4].

Einstellung der Litervorgabe (werksseitig sind 600 Liter voreingestellt), siehe Abb. [4].

Der Wert der Litervorgabe ist abhängig von der Karbonathärte gemäß Tabellenspalte **B** auf Seite III.

Taste		Anzeige
PROG. 	Taste PROG kurz drücken (PRG blinkt)	
RESET 	Taste RESET kurz drücken, um zur Programmierung der Litervorgabe zu gelangen (00000 blinkt)	
PROG. 	Taste PROG so oft drücken, bis die gewünschte Position erreicht ist (00000 Ziffer blinkt)	
RESET 	Taste RESET so oft drücken, bis die gewünschte Ziffer erreicht ist (00600 Ziffer blinkt)	
PROG. 	Taste PROG so oft drücken, bis das Menü verlassen wird (PRG erlischt und der eingestellte Wert erscheint)	




Wartung

Filter

Zum Filterwechsel siehe Technische Produktinformation der Filterkartusche.

Rücksetzen der Filterkapazität an der Anzeigeeinheit (C), siehe Klappseite II, Abb. [4].

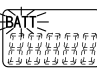
Nach dem Einsetzen einer neuen Filterkartusche muss die Filterkapazität wie folgt wieder zurückgesetzt werden:

Taste		Anzeige
	Anzeige blinkt (negative Litervorgabe, z. B. -1 oder Restkapazität z. B. 150 blinkt)	
RESET 	Taste RESET 3 Sekunden drücken (rESet erscheint)	
	Die Daten für Zeit und Literleistung sind zurückgesetzt	

Hinweis: Die programmierte Litervorgabe der Filterkartusche bleibt erhalten.

Batterie (F), siehe Abb. [5] und [6].

Batterie spätestens 7 Jahre nach Inbetriebnahme der Armatur ersetzen.

Taste		Anzeige
	Anzeige BATT blinkt (Batterie ist entladen und muss ausgetauscht werden)	


1. Schraube (G) lösen und Deckel (H) abnehmen, siehe Abb. [5].

2. Batterie (F) herausnehmen und austauschen, siehe Abb. [6]. **Achtung:** Polung beachten!

Hinweis: Die vom Benutzer gespeicherten Einstellungen bleiben auch nach einem Batteriewechsel oder bei entladener Batterie erhalten.

Montage in umgekehrter Reihenfolge.

Entsorgungshinweis

 Batterie gemäß den landesspezifischen Vorschriften entsorgen!



Application

The filter system may only be operated together with an original GROHE Red boiling water storage heater and fitting.

The filter system measures the flow rate using a sensor and from this calculates the remaining capacity of the filter cartridge as a function of the set litre capacity. If the filter cartridge litre capacity set on the display unit is exceeded, the values are displayed as negative values.

The sensor also monitors the maximum service life of the filter cartridge. If the maximum service life of 12 months is exceeded, the remaining capacity of the filter cartridge flashes.

The filter system reduces the carbonate hardness and must be used in regions with a carbonate hardness exceeding 12° dH.

The water filtrate is classified as Category 2 according to EN 1717.

Technical data

- Flow pressure:
 - min. 0.1 MPa
 - recommended 0.2 – 0.5 MPa
- Operating pressure: max. 0.2 – 0.8 MPa
- Sensor battery: 3 V lithium battery (type CR 2032)
- Display unit rating (wall installation): IPX4
- Sensor rating: IPX8

Approval and conformity



This product conforms to the requirements of the relevant EU guidelines.

The conformity declarations can be obtained from the following address:

GROHE Deutschland Vertriebs GmbH

Zur Porta 9

D-32457 Porta Westfalica

Installation

Refer to the dimensional drawing on fold-out page I.

Connect filter head and filter, see technical product information for the filter head and the filter cartridge and fold-out page II, Fig. [1]. Note direction of flow.

1. Install pressure hose (A) to the inlet of filter head.
2. Install sensor (B) at outlet of filter head. The sensor (B) must be installed horizontally.
3. Install display unit (C).

Use suitable screws and wall plugs (not included in the scope of delivery).

Connect filter system, see Fig. [2].

1. Screw pressure hose (D) onto sensor (B).
2. Screw pressure hose (A) of filter system onto adapter (E) [Duo] or directly onto cold water connection [Mono].
3. Install the GROHE Red boiling water system as per the technical product information enclosed with the product.

Do not connect the voltage supply to the GROHE Red boiling water storage heater yet.

Open cold water supply and check connections for watertightness.

Set water hardness at filter head, see Fig. [3].

Set water hardness at bypass setting of filter head to local conditions, see table column **A** on page III.

The relevant water supplier can provide information on the water hardness.

The bypass value set to the filter head must also be set as litre specification on the display unit (C), see Fig. [4].

Setting the litre specification (factory setting is 600 litre), see Fig. [4].

The value for the litre specification depends on the water hardness as per table column **B** on page III:

Button		Display
PROG. 	Briefly press PROG button (PRG flashes)	
RESET 	Briefly press RESET button to access programming for litre specification (00000 flashes)	
PROG. 	Keep pressing PROG button until required position is reached (00000 digit flashes)	
RESET 	Keep pressing RESET button until required digit is reached (00600 digit flashes)	
PROG. 	Keep pressing PROG button to exit menu (PRG disappears and set value appears)	

Maintenance

Filter

See technical product information of filter cartridge for information on replacing the filter cartridge.

Resetting the filter capacity at the display unit (C), see fold-out page II, Fig. [4].

After a new filter cartridge is inserted, the filter capacity must be reset as follows:

Button		Display
	Display flashing (negative litre specification, e.g. -1 or remaining capacity e.g. 150 flashing)	
RESET 	Press RESET button for 3 seconds (rESet appears)	
	The data for time and litre capacity is reset	

Note: The litre specification programmed for the filter cartridge is retained.

Battery (F), see Fig. [5] and [6].

The battery must be replaced 7 years after commissioning the fitting, at the latest.

Button		Display
	BATT display flashes (battery is discharged and needs to be replaced)	

1. Loosen screw (G) and remove cover (H), see Fig. [5].
2. Remove battery (F) and replace, see Fig. [6].

Important: Note correct polarity.

Note: No settings saved by the user will be lost when changing the batteries or if the battery discharges.

Assemble in reverse order.

Disposal note

Dispose of batteries in accordance with national regulations.

F

Domaine d'application

Le système de filtre doit être utilisé exclusivement avec un réservoir et la robinetterie d'eau bouillante d'origine GROHE Red.

Le système de filtre mesure le débit à l'aide d'un capteur et calcule ainsi la capacité restante de la cartouche de filtre, en fonction de la capacité réglée. Si la capacité de la cartouche de filtre réglée dans l'unité d'affichage est dépassée, les valeurs sont affichées de façon négative.

En outre, le capteur contrôle la durée d'utilisation maximale de la cartouche de filtre. Si la durée d'utilisation maximale de 12 mois est dépassée, la capacité restante de la cartouche de filtre clignote.

Le système de filtre réduit la dureté carbonatée et doit être utilisé dans les régions où la dureté carbonatée est supérieure à 12 °KH.

Le filtrat d'eau est classé dans la catégorie 2 conformément à la norme EN 1717.

Caractéristiques techniques

- Pression dynamique :
 - min. 0,1 MPa
 - recommandée 0,2–0,5 MPa
- Pression de service : 0,2–0,8 MPa max.
- Pile du capteur : pile lithium 3 V (type CR 2032)
- Indice de protection de l'unité d'affichage (montage mural) : IPX4
- Indice de protection du capteur : IPX8

Homologation et conformité



Ce produit est conforme aux réglementations européennes.

Vous pouvez nous contacter à l'adresse suivante pour obtenir ces déclarations de conformité :

GROHE Deutschland Vertriebs GmbH

Zur Porta 9

D-32457 Porta Westfalica

Installation

Tenir compte de la cote du schéma sur le volet I.

Raccordement tête de filtre et filtre, voir Documentation technique sur la tête de filtre et la cartouche de filtre ainsi que le volet II, fig. [1]. Tenir compte du sens d'écoulement de l'eau.

- Monter le flexible de pression (A) à l'entrée de la tête de filtre.
- Monter le capteur (B) à la sortie de la tête de filtre.
Le capteur (B) doit être monté à l'horizontale.
- Monter l'unité d'affichage (C).

Utiliser des vis appropriées et des chevilles si nécessaire (non fournies avec le produit).

Raccordement du système de filtre, voir fig. [2].

- Visser le flexible de pression (D) sur le capteur (B).
- Visser le flexible de pression (A) du système de filtre sur l'adaptateur (E) [Duo] ou directement sur le raccordement d'eau froide [Mono].
- Monter le système d'eau bouillante GROHE Red en respectant les instructions de la documentation technique fournie avec le produit.

Ne pas brancher l'alimentation électrique du réservoir d'eau bouillante GROHE Red à ce stade !

Ouvrir l'alimentation en eau froide et vérifier l'étanchéité des raccordements.

Régler la dureté carbonatée sur la tête de filtre, voir fig. [3].

Régler la dureté carbonatée au niveau du réglage de dérivation de la tête de filtre en fonction des conditions locales, voir la colonne **A** du tableau page III.

Vous pouvez vous renseigner sur la dureté carbonatée auprès de la compagnie des eaux compétente.

Le réglage de dérivation sélectionné dans la tête de filtre doit être transmis à l'unité d'affichage (C) comme indication de capacité, voir fig. [4].

Réglage de la capacité (préréglé sur 600 litres par défaut), voir fig. [4].

La valeur de la capacité dépend de la dureté carbonatée, conformément à la colonne **B** du tableau page III.

Touche		Affichage
PROG. 	Appuyer brièvement sur la touche PROG (PRG clignote)	
RESET 	Appuyer brièvement sur la touche RESET pour passer à la programmation de la capacité (00000 clignote)	
PROG. 	Appuyer plusieurs fois sur la touche PROG jusqu'à ce que la position souhaitée soit atteinte (le chiffre 00000 clignote)	
RESET 	Appuyer plusieurs fois sur la touche RESET jusqu'à ce que le chiffre souhaité soit atteint (le chiffre 00600 clignote)	
PROG. 	Appuyer plusieurs fois sur la touche PROG jusqu'à quitter le menu (PRG s'éteint et la valeur réglée s'affiche)	

Maintenance

Filtre

Pour le remplacement du filtre, consulter la documentation technique fournie avec la cartouche de filtre.

Réinitialisation de la capacité du filtre sur l'unité d'affichage (C), voir volet II, fig. [4].

Une fois qu'une cartouche de filtre neuve a été mise en place, la capacité de filtre doit être réinitialisée comme suit :

Touche		Affichage
	L'affichage clignote (capacité négative, p. ex -1 ou capacité restante p. ex 150 clignote)	
RESET 	Appuyer sur la touche RESET pendant 3 secondes (RESEt s'affiche)	
	Les données de temps et de capacité sont réinitialisées	

Remarque : La capacité programmée de la cartouche de filtre reste inchangée.

Pile (F), voir fig. [5] et [6].

Remplacer la pile au plus tard 7 ans après la première mise en service de la robinetterie.

Touche		Affichage
	L'affichage BATT clignote (la pile est déchargée et doit être remplacée)	

1. Dévisser la vis (G) et retirer le couvercle (H), voir fig. [5].

2. Retirer la pile (F) et la remplacer, voir fig. [6]. **Attention** : Respecter la polarité !

Remarque : Les paramètres mémorisés par l'utilisateur sont conservés même après remplacement de la pile ou si la pile est déchargée.

Le montage s'effectue dans l'ordre inverse de la dépose.

Remarque sur l'élimination des déchets

Jeter les piles conformément à la réglementation correspondante de votre pays !



E

Campo de aplicación

El sistema de filtro sólo puede ponerse en servicio junto con un acumulador y la grifería de agua hirviendo GROHE Red original.

El sistema de filtro mide mediante un sensor el caudal y calcula a partir de él la capacidad restante del cartucho del filtro dependiendo de la capacidad de litros ajustada. Si se supera la capacidad de litros del cartucho del filtro ajustada en la unidad de indicación, los valores se indican con signo negativo.

Además, el sensor supervisa la duración máxima de servicio del cartucho del filtro. Si se supera la duración máxima de servicio de 12 meses, parpadea la capacidad restante del cartucho del filtro. El sistema de filtro reduce la dureza de carbonatos y debe utilizarse en regiones con una dureza de carbonatos superior a 12 °KH.

El agua filtrada está clasificada según EN 1717 en la categoría 2.

Datos técnicos

- Presión de trabajo:
 - mín. 0,1 MPa
 - recomendada 0,2–0,5 MPa
- Presión de utilización: máx. 0,2–0,8 MPa
- Batería del sensor: Batería de litio 3 V (tipo CR 2032)
- Tipo de protección de la unidad de indicación (montaje en pared): IPX4
- Tipo de protección del sensor: IPX8

Autorización y conformidad



Este producto cumple los requisitos de las Directivas de la UE correspondientes.

Las declaraciones de conformidad pueden ser solicitadas en la siguiente dirección:

GROHE Deutschland Vertriebs GmbH

Zur Porta 9

D-32457 Porta Westfalica

Instalación

Respetar el croquis de la página desplegable I.

Conexión, cabezal del filtro y filtro véase Información técnica de producto del cabezal del filtro y del cartucho del filtro y de la página desplegable II, fig. [1]. Tener en cuenta la dirección del caudal.

1. Montar flexo de conexión (A) en la entrada del cabezal del filtro.

2. Montar sensor (B) en la salida del cabezal del filtro.

El sensor (B) debe montarse horizontal.

3. Montar unidad de indicación (C).

Utilizar tornillos y en su caso tacos adecuados (no incluidos en el suministro).

Conexión sistema del filtro, véase fig. [2].

1. Atornillar flexo de conexión (D) al sensor (B).

2. Enroscar el flexo de conexión (A) del sistema de filtro al adaptador (E) [Duo] o directamente a la conexión de agua fría [Mono].

3. Montar el sistema de agua hirviendo GROHE Red de acuerdo a las informaciones técnicas del producto adjuntas.

¡No establecer todavía la alimentación de tensión del acumulador de agua hirviendo GROHE Red!

Abrir la alimentación de agua fría y comprobar la estanqueidad de las conexiones.

Ajustar la dureza de carbonatos en el cabezal del filtro, véase la fig. [3].

Regular la dureza de carbonatos en el ajuste del bypass del cabezal del filtro según las condiciones locales, véase la columna de la tabla **A** en la página III.

La dureza de carbonatos puede consultarse al proveedor de agua.

El ajuste del bypass ajustado en el cabezal del filtro debe transferirse como especificación de litros a la unidad de indicación (C), véase fig. [4].

Ajuste de la especificación de litros (se han preajustado 600 litros de fábrica), véase la fig. [4].

Ajustar el valor de la especificación de litros que depende de la dureza del carbonato según la columna de la tabla **B** de la página III.

Tecla		Indicación
PROG. 	Pulsar brevemente la tecla PROG (parpadea PRG)	
RESET 	Pulsar brevemente la tecla RESET para acceder a la programación de la especificación de litros (parpadea 00000)	
PROG. 	Pulsar la tecla PROG hasta alcanzar la posición deseada (parpadea la cifra 00000)	
RESET 	Pulsar la tecla RESET hasta alcanzar la cifra deseada (parpadea la cifra 00600)	
PROG. 	Pulsar la tecla PROG hasta salir del menú (se apaga PRG y se visualiza el valor ajustado)	

Mantenimiento

Filtro

Para sustituir el filtro consultar la información técnica de producto del cartucho del filtro.

Restablecer la capacidad del filtro en la unidad de indicación (C), véase la página desplegable II, fig. [4].

Tras colocar un nuevo cartucho del filtro, debe restablecerse la capacidad del filtro como sigue:

Tecla		Indicación
	Parpadea la indicación (parpadea la especificación de litros negativa, por ejemplo, -1 o la capacidad restante, por ejemplo, 150)	
RESET 	Pulsar la tecla RESET 3 segundos (se visualiza rESEt)	
	Quedan restablecidos los datos para el tiempo y la capacidad de litros	

Nota: La especificación de litros programada del cartucho de filtro se mantiene.

Batería (F), véanse las figs. [5] y [6].

Sustituir la batería a más tardar 7 años después de la puesta en funcionamiento de la grifería.

Tecla		Indicación
	Parpadea la indicación BATT (la batería está descargada y debe sustituirse)	

1. Soltar el tornillo (G) y extraer tapa (H), véase la fig. [5].

2. Retirar la batería (F) y sustituirla, véase la fig. [6].

Atención: ¡Tener en cuenta la polaridad!

Nota: Los ajustes memorizados por el usuario se mantienen también tras cambiar la batería o con la batería descargada. El montaje se efectúa en el orden inverso.

Nota sobre el reciclado

Las baterías deben eliminarse de acuerdo a las normativas nacionales pertinentes.



Gamma di applicazioni

Il sistema di filtraggio può essere utilizzato unicamente in combinazione con un rubinetto e un bollitore-accumulatore originale GROHE Red.

Il sistema di filtraggio misura la portata con un sensore e calcola la capacità residua della cartuccia del filtro a seconda della portata in litri impostata. Se la portata in litri della cartuccia filtro impostata nel display viene superata, i valori visualizzati sono negativi. Inoltre il sensore controlla la durata massima di impiego della cartuccia filtro. Se viene superata la durata massima di impiego di 12 mesi, l'indicatore della capacità residua della cartuccia filtro lampeggia.

Il sistema di filtraggio riduce la durezza dell'acqua e deve essere utilizzato nelle zone con una durezza dell'acqua superiore a 12 °KH. Il filtrato dell'acqua è classificato nella categoria 2 conformemente alla norma EN 1717.

Dati tecnici

- Pressione idraulica:
 - min. 0,1 MPa
 - consigliata 0,2–0,5 MPa
- Pressione di esercizio: max. 0,2–0,8 MPa
- Batteria sensore: batteria al litio 3 V (tipo CR-2032)
- Tipo di protezione del display (installazione a muro): IPX4
- Tipo di protezione sensore: IPX8

Omologazione e conformità



Questo prodotto è conforme ai requisiti previsti dalle normative UE in materia.

Per richiedere gli attestati di conformità rivolgersi al seguente indirizzo:

GROHE Deutschland Vertriebs GmbH

Zur Porta 9

D-32457 Porta Westfalica

Installazione

Rispettare lo schema con le quote di installazione sul risvolto di copertina I.

Raccordo tra testa filtro e cartuccia filtro, vedere le Informazioni tecniche relative alla testa del filtro e alla cartuccia del filtro nonché il risvolto di copertina II, fig. [1]. Rispettare la direzione di scorrimento.

- Montare il tubo flessibile a pressione (A) all'entrata della testa del filtro.
- Montare il sensore (B) all'uscita della testa del filtro. Il sensore (B) deve essere montato orizzontalmente.
- Montare il display (C).

Utilizzare le viti e gli eventuali tasselli adatti (non inclusi nella fornitura).

Raccordo sistema di filtraggio, vedere fig. [2].

- Avvitare il tubo flessibile a pressione (D) al sensore (B).
- Avvitare il tubo flessibile a pressione (A) del sistema di filtraggio all'adattatore (E) [Duo] o direttamente al raccordo dell'acqua fredda [Mono].
- Montare il sistema bollitore GROHE Red conformemente alle informazioni tecniche sul prodotto allegate allo stesso.

! Non applicare ancora l'alimentazione di tensione al bollitore-accumulatore GROHE Red.

Aprire l'alimentazione dell'acqua fredda e controllare la tenuta dei raccordi.

Regolazione della durezza dell'acqua sulla testa del filtro, vedere fig. [3].

Regolare sul bypass la durezza dell'acqua della testa filtro secondo le condizioni locali, vedere colonna **A** della tabella sul risvolto di copertina III.

La durezza dell'acqua può essere richiesta presso l'ente locale di approvvigionamento acque.

La regolazione del bypass impostata nella testa del filtro deve essere trasmessa, come valore in litri predefinito, al display (C), vedere fig. [4].

Regolazione del valore in litri predefinito (impostazione di fabbrica: 600 litri), vedere fig. [4].

Il valore in litri predefinito deve essere regolato a seconda della durezza dell'acqua, in base alla colonna **B** della tabella a pagina III.

Tasto		Indicazione
PROG. 	Premere brevemente il tasto PROG (PRG lampeggia)	
RESET 	Premere brevemente il tasto RESET per entrare nella programmazione del valore in litri predefinito (00000 lampeggia)	
PROG. 	Premere più volte il tasto PROG fino a raggiungere la posizione voluta (la cifra 00000 lampeggia)	
RESET 	Premere più volte il tasto RESET fino a ottenere la cifra voluta (la cifra 00600 lampeggia)	
PROG. 	Premere più volte il tasto PROG fino a uscire dal menu (PRG si spegne e appare il valore impostato)	

Manutenzione

Filtro

Per il cambio del filtro vedere le informazioni tecniche relative alla cartuccia del filtro.

Reset della capacità filtro sul display (C), vedere il risvolto di copertina II, fig. [4].

Dopo aver inserito una nuova cartuccia filtro si deve resettare la capacità filtro come segue:

Tasto		Indicazione
	L'indicazione lampeggia (valore in litri predefinito negativo, ad es. -1 o capacità residua ad es. 150 lampeggia)	
RESET 	Premere il tasto RESET per 3 secondi (viene visualizzato reSet)	
	I dati relativi a tempo e portata in litri sono azzerati	

Nota: il valore in litri predefinito della cartuccia filtro resta invariato.

Batteria (F), vedere fig. [5] e [6].

Sostituire la batteria dopo non più di 7 anni dal primo utilizzo del rubinetto.

Tasto		Indicazione
	L'indicazione BATT lampeggia (la batteria è scarica e deve essere sostituita)	

1. Allentare la vite (G) e rimuovere il coperchio (H), vedere fig. [5].

2. Estrarre la batteria (F) e sostituirla, vedere fig. [6].

Attenzione: fare attenzione alla polarità

Nota: le impostazioni memorizzate dall'utente restano invariate anche dopo un cambio batterie o in caso di batteria scarica.

Eseguire il montaggio in ordine inverso.

Nota sullo smaltimento



Smaltire le batterie secondo le norme specifiche del Paese.

Toepassingsgebied

Het filtersysteem mag alleen samen met een originele GROHE Red kokendwaterboiler en kraan worden gebruikt.

Het filtersysteem meet de doorstroming met een sensor en berekent daaruit de restcapaciteit van de filterpatroon, op basis van een ingesteld litervermogen. Wanneer het in de weergave-eenheid ingestelde litervermogen van de filterpatroon wordt overschreden, wordt de waarde negatief weergegeven.

Bovendien controleert de sensor de maximale gebruiksduur van de filterpatroon. Wanneer de maximale gebruiksduur van 12 maanden wordt overschreden, knippert de restcapaciteit van de filterpatroon.


Het filtersysteem verlaagt de carbonaathardheid en moet in gebieden met een carbonaathardheid van meer dan 12 °KH worden gebruikt.

Het waterfilteraat is conform EN 1717 ingedeeld in klasse 2.

Technische gegevens

- Stromingsdruk:
 - min. 0,1 MPa
 - aanbevolen 0,2-0,5 MPa
- Werkdruk: max. 0,2-0,8 MPa
- Batterij sensor: 3 V-lithiumbatterij (type CR 2032)
- Klassering weergave-eenheid (wandmontage): IPX4
- Klassering sensor: IPX8

Goedkeuring en conformiteit

 Dit product voldoet aan de eisen van de desbetreffende EU-richtlijnen.

De conformiteitsverklaringen kunnen op het volgende adres worden aangevraagd:

GROHE Deutschland Vertriebs GmbH

Zur Porta 9

D-32457 Porta Westfalica

Installeren

Let op de maattekening op uitvouwbaar blad I.

Aansluiting filterkop en filter, zie Technische productinformatie van de filterkop en het filterpatroon en uitvouwbaar blad II, afb. [1]. Let op de stroomrichting.

1. Monteer de drukslang (A) op de ingang van de filterkop.

2. Monteer de sensor (B) op de uitgang van de filterkop.

De sensor (B) moet horizontaal worden gemonteerd.

3. Demonteer de weergave-eenheid (C).

Gebruik geschikte schroeven en eventueel pluggen (niet meegeleverd).

Aansluiting filtersysteem, zie afb. [2].

1. Schroef de drukslang (D) op de sensor (B).

2. Schroef de drukslang (A) van het filtersysteem op de adapter (E) [Duo] of rechtstreeks op de koudwateraansluiting [Mono].

3. Monteer het GROHE Red kokendwatersysteem volgens de bij het product geleverde technische productinformatie.

! Schakel de voeding van de GROHE Red kokendwaterboiler nog niet in!

Open de watertoevoer en controleer de aansluitingen op lekkages.

Stel de carbonaathardheid in op de filterkop, zie afb. [3].



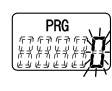

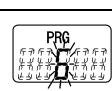


Pas de carbonaathardheid op de bypassinstelling van de filterkop aan lokale waarden aan, zie tabelkolom **A** op pagina III.

Uw waterbedrijf kan informatie verschaffen over de carbonaathardheid van het water.

De in de filterkop ingestelde bypassinstelling moet als literinstelling worden overgenomen in de weergave-eenheid (G), zie afb. [4].

Instellen van de literinstelling (af fabriek is 600 liter ingesteld), zie afb. [4].

De waarde van de literinstelling is, afhankelijk van de carbonaathardheid volgens tabelkolom **B** op pagina III.

Knop		Weergave
PROG. 	Druk kort op de knop PROG (PRG knippert)	
RESET 	Druk kort op de knop RESET om de programmeerfunctie voor de literinstelling te openen (00000 knippert)	
PROG. 	Druk zo vaak op de knop PROG totdat u de gewenste positie hebt bereikt (00000 knippert)	
RESET 	Druk zo vaak op de knop RESET totdat u het gewenste getal hebt bereikt (00600 knippert)	
PROG. 	Druk zo vaak op de knop PROG totdat u het menu verlaat (PRG verdwijnt en de ingestelde waarde wordt weergegeven)	



Onderhoud

Filter

Zie de technische productinformatie van de filterpatroon voor het vervangen van het filter.

Resetten van de filtercapaciteit op de weergave-eenheid (C), Zie uitvouwbaar blad II, afb. [4].

Na het plaatsen van een nieuwe filterpatroon moet de filtercapaciteit als volgt worden gereset:

Knop		Weergave
	Weergave knippert (negatieve literinstelling, bijv. -1 of restcapaciteit bijv. 150 knippert)	
RESET 	Knop RESET 3seconden indrukken (rESEt wordt weergegeven).	
	De gegevens voor tijd en litervermogen zijn gereset	

Aanwijzing: De geprogrammeerde literinstelling van de filterpatroon blijft behouden.

Batterij (F), zie afb. [5] en [6].

Batterij maximaal 7 jaar na ingebruikname van de kraan vervangen.

Knop		Weergave
	Weergave BATT knippert (batterij is leeg en moet worden vervangen)	

1. Draai de schroef (G) los en neem het deksel (H) af, zie afb. [5].


2. Verwijder de batterij (F) en vervang deze, zie afb. [6].

Waarschuwing: Let op de polen.

Aanwijzing: De door de gebruiker opgeslagen instellingen blijven ook na het vervangen van de batterij of bij een lege batterij behouden.

Montage in omgekeerde volgorde.

Aanwijzing m.b.t. afvalverwerking

 Voer batterijen volgens de landspecifieke voorschriften af!

S**Användningsområde**

Filtersystemet får endast användas tillsammans med en original GROHE Red behållare och blandare för kokande vatten.

Filtersystemet mäter genomflödet med en sensor och beräknar därav filterpatronens restkapacitet beroende på den inställda litereffekten. Om filterpatronens litereffekt som har ställts in på indikeringen överskrider, visas negativa värden. Dessutom övervakar sensorn filterpatronens maximala användningstid. Om den maximala användningstiden på 12 månader överskrider, blinkar filterpatronens restkapacitet. Filtersystemet reducerar karbonathårdenhet och måste användas i områden med en karbonathårdenhet över 12 °KH. Vattenfiltratet är klassificerat till kategori 2 enligt EN 1717.

Tekniska data

- Flödestryck:
 - min. 0,1 MPa
 - rekommenderat 0,2-0,5 MPa
- Drifttryck: max. 0,2-0,8 MPa
- Batterisensor: 3 V-litiumbatteri (typ CR 2032)
- Skyddstyp, indikering (väggmontering): IPX4
- Skyddstyp, sensor: IPX8

Godkännande och konformitet

Denna produkt motsvarar kraven för motsvarande EU-riktlinjer.

Du kan beställa konformitetsförklaringen på följande adress:
GROHE Deutschland Vertriebs GmbH
 Zur Porta 9
 D-32457 Porta Westfalica

Installation

Observera måttskissen på utvikningssida I.

Anslutning av filterhuvud och filter. Läs mer i filterhuvudets och filterpatronens tekniska produktinformation och utvikningssida II, fig. [1]. Observera flödesriktningen.

- Montera tryckslangen (A) på filterhuvudets ingång.
- Montera sensorn (B) på filterhuvudets utgång. Sensorn (B) måste monteras horisontellt.
- Montera indikeringen (C).

Använd lämpliga skruvar och pluggar vid behov (finns inte med i leveransen).

Anslutning av filtersystem. Se fig. [2].

- Skruva fast tryckslangen (D) på sensorn (B).
- Skruva fast filtersystemets tryckslang (A) på adaptorn (E) [Duo] eller direkt på kallvattenanslutningen [Mono].
- Montera GROHE Red-systemet för kokande vatten enligt den bifogade tekniska produktinformationen.

! Anslut inte spänningsförsörjningen till GROHE Red-behållaren för kokande vatten ännu!

Öppna kallvattentillförseln och kontrollera anslutningarnas täthet.

Ställa in karbonathårdenhet för filterhuvudet, se fig. [3].

Ställ in karbonathårdenhet på filterhuvudets bypassinställning så att den passar den lokala situationen, se tabellkolumn **A** på sida III.

Den lokala vattenleverantören kan svara på frågor om karbonathårdenhet.

Den bypassinställning som har ställts in i filterhuvudet måste överföras till indikeringen (C) som litervärde, se fig. [4].

Inställning av litervärde (fabriksinställningen är 600 liter), se fig. [4].

Litervärdet ska ställas in efter karbonathårdenhet enligt tabellkolumn **B** på sida III.

Knapp		Indikering
PROG. 	Tryck snabbt på knappen PROG (PRG blinkar)	
RESET 	Tryck snabbt på knappen RESET , för att komma till programmeringen av litervärdet (00000 blinkar)	
PROG. 	Tryck upprepade gånger på knappen PROG tills du har uppnått önskad position (siffran 00000 blinkar)	
RESET 	Tryck upprepade gånger på knappen RESET tills du har uppnått önskad siffra (siffran 00600 blinkar)	
PROG. 	Tryck upprepade gånger på knappen PROG tills du lämnat menyn (PRG slocknar och det inställda värdet visas)	

Underhåll**Filter**

Information om filterbyte finns i filterpatronens produktinformation.

Återställa filterkapaciteten i indikeringen (C), se utvikningssida II, fig. [4].

Efter monteringen av en ny filterpatron måste du återställa filterkapaciteten enligt följande:

Knapp		Indikering
	Indikeringen blinkar (negativt litervärde, t.ex. -1 eller restkapacitet t.ex. 150 blinkar)	
RESET 	Tryck på knappen RESET under 3 sekunder (reSEt visas)	
	Uppgifterna för tid och litereffekt har återställts	

Anvisning: Filterpatronens programmerade litervärde bibehålls.

Batteri (F), se fig. [5] och [6].

Batteriet måste bytas ut senast 7 år efter det att blandaren har tagits i bruk.

Knapp		Indikering
	Indikeringen BATT blinkar (Batteriet är tomt och måste bytas ut)	

1. Lossa skruven (G) och ta bort locket (H), se fig. [5].

2. Ta bort och byt ut batteriet (F), se fig. [6]. **OBS!** Observera polerna!

Anvisning: De inställningar som användaren har sparat finns kvar även efter det att batteriet har bytts eller laddat ur. Monteringen sker i omvänd ordningsföljd.

Anvisningar för avfallshantering

Kassera batterierna enligt det aktuella landets gällande föreskrifter för avfallshantering!

DK

Anvendelsesområde

Filtersystemet må kun anvendes sammen med en original GROHE Red beholder til kogende vand og et originalt armatur.

Filtersystemet måler gennemstrømningen med en sensor og beregner på grundlag heraf filterpatronens resterende kapacitet afhængigt af den indstillede literydelse. Overskrides den literydelse for filterpatronen, der er indstillet på display-enheden, vises værdierne negativt.

Derudover kontrollerer sensoren filterpatronens maksimale anvendelsestid. Overskrides den maksimale anvendelsestid på 12 måneder, blinker filterpatronens resterende kapacitet.

Filtersystemet reducerer karbonathårdheden og skal anvendes i områder, hvor karbonathårdheden udgør mere end 12 °dH.

Vandfiltratet er klassificeret til kategori 2 iht. EN 1717.

Tekniske data

- Strømningstryk:
 - min. 0,1 MPa
 - anbefalet 0,2–0,5 MPa
- Driftstryk: maks. 0,2–0,8 MPa
- Sensorbatteri: 3 V-litiumbatteri (type CR 2032)
- Beskyttelsestype, display-enhed (vægmontering): IPX4
- Beskyttelsestype, sensor: IPX8

Godkendelse og overensstemmelse



Dette produkt opfylder alle krav i de respektive EU-direktiver.

Overensstemmelseserklæringerne kan rekvireres på følgende adresse:

GROHE Deutschland Vertriebs GmbH

Zur Porta 9

D-32457 Porta Westfalica

Installation

Overhold måltegningen på foldeside I.

Tilslutning af filterhoved og filter: Se teknisk produktinformation til filterhoved og filterpatron samt foldeside II, ill. [1]. Overhold strømningstreningen.

1. Monter trykslangen (A) på filterhovedets indløb.
2. Monter sensor (B) ved filterhovedets udløb. Sensoren (F) skal monteres horisontalt.

3. Monter display-enheden (C).

Anvend egnede skruer og evt. dyvler (medfølger ikke).

Tilslutning af filtersystem: Se ill. [2].

1. Skru trykslangen (D) på sensoren (B).
2. Skru filtersystemets trykslange (A) på adapteren (E) [Duo] eller direkte på koldt vandstilslutningen [Mono].
3. GROHE Red system til kogende vand skal monteres iht. den medfølgende tekniske produktinformation.

! Strømforsyningen til GROHE Red beholder til kogende vand må ikke tilsluttes endnu!

Luk op for koldt vandstilførslen, og kontroller, at tilslutningerne er tætte.

Indstil karbonathårdheden på filterhovedet, se ill. [3].

Indstil karbonathårdheden på filterhovedets bypass-indstilling til lokale forhold, se tabelkolonne **A** på side III.

Oplysninger om karbonathårdheden kan fås hos det lokale vandforsyningsselskab.

Den bypass-indstilling, der er valgt i filterhovedet, skal overføres til display-enheden (C) som literværdi, se ill. [4].

Indstilling af literværdien (fabriksindstillingen er 600 liter), se ill. [4].

Literværdien afhænger af karbonathårdheden iht. tabelkolonne **B** på side III.

Tast		Display
PROG. 	Tryk et øjeblik på tasten PROG (PRG blinker)	
RESET 	Tryk et øjeblik på tasten RESET for at skifte til programmering af literværdien (00000 blinker)	
PROG. 	Tryk på tasten PROG flere gange, indtil den ønskede position er nået (00000 blinker)	
RESET 	Tryk på tasten RESET flere gange, indtil det ønskede tal er nået (00600 blinker)	
PROG. 	Tryk på tasten PROG flere gange, indtil menuen afsluttes (PRG forsvinder, og den indstillede værdi vises)	

Vedligeholdelse

Filter

Udskiftning af filteret: Se den tekniske produktinformation om filterpatronen.

Nulstilling af filterkapaciteten på display-enheden (C):

Se foldeside II, ill. [4].

Når der er sat en ny filterpatron i, skal filterkapaciteten igen nulstilles:

Tast		Display
	Displayet blinker (negativ literværdi, f.eks. -1 eller resterende kapacitet, f.eks. 150, blinker)	
RESET 	Tryk på tasten RESET i 3 sekunder (rESet vises).	
	Dataene for tid og literydelse er nulstillet	

Bemærk: Filterpatronens programmerede literværdi bevares.

Batteri (F): Se ill. [5] og [6].

Batteriet skal udskiftes senest 7 år efter ibrugtagning af armaturet.

Tast		Display
	Visningen BATT blinker (Batteriet er afladet og skal udskiftes)	

1. Løsn skruen (G), og tag dækslet (H) af, se ill. [5].

2. Tag batteriet (F) ud, og udskift det, se ill. [6]. **Vigtigt:** Overhold polariteten!

Bemærk: De indstillinger, som brugeren har gemt, bevares, også efter udskiftning af batteriet, eller hvis batteriet er afladet. Monteres i omvendt rækkefølge.

Bortskaffelse

Batterierne skal bortskaffes iht. gældende lokale forskrifter!




Bruksområde

Filtersystemet må bare brukes sammen med en original GROHE Red beholder for kokende vann rett fra kranen og armatur. Filtersystemet måler gjennomstrømningen med en føler og beregner ved hjelp av denne målingen filterpatronens restkapasitet avhengig av den innstilte kapasiteten i liter. Hvis filterpatronens kapasitet i liter som er stilt inn på displayet overskrides, vises verdiene som negative. Føleren overvåker også den maksimale brukstiden for filterpatronen. Hvis den maksimale brukstiden på 12 måneder overskrides, blinker visningen av filterpatronens restkapasitet. Filtersystemet reduserer karbonathardheten og må brukes i regioner med karbonathardhet over 12 °KH. Vannfiltratet er klassifisert i kategori 2 iht. EN 1717.

Tekniske data

- Dynamisk trykk:
 - min 0,1 MPa
 - anbefalt 0,2–0,5 MPa
- Driftstrykk: maks. 0,2–0,8 MPa
- Batteri til føler: 3 V-litiumbatteri (type CR 2032)
- Beskyttelse for display (veggmontert): IPX4
- Beskyttelse for føler: IPX8

Godkjenning og samsvar

 Dette produktet er i samsvar med kravene i de respektive EU-direktivene.

Samsvarserklæringen kan bestilles fra følgende adresse:
GROHE Deutschland Vertriebs GmbH
 Zur Porta 9
 D-32457 Porta Westfalica

Installering

Se måltegning på utbrettside I.

Tilkobling filterhode og filter, se Teknisk produktinformasjon for filterhodet og filterpatronen og utbrettside II, bilde [1]. Vær oppmerksom på strømningsretningen.

1. Monter trykkslangen (A) på inntaket til filterhodet.
 2. Monter føleren (B) ut utløpet til filterhodet. Føleren (B) må monteres horisontalt.
 3. Monter visningsenheten (C).
- Bruk egnede skruer og ev. plugg (følger ikke med ved levering).

Tilkobling filtersystem, se bilde [2].

1. Skru trykkslangen (D) på føleren (B).
2. Skru filtersystemets trykkslange (A) på adapteren (E) [Duo] eller direkte på kaldvannstilkoblingen [Mono].
3. Monter GROHE Red-systemet for kokende vann rett fra kranen i samsvar med den tekniske produktinformasjonen som følger med.

! Ikke opprett spenningsforsyningen til GROHE Red-beholderen for kokende vann ennå!


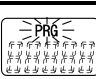

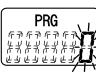

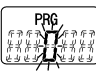

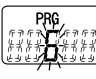

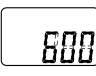
Åpne kaldtvannstilførselen, og kontroller at koblingene er tette.

Still inn karbonathardheten på filterhodet, se bilde [3]. Still inn karbonathardheten på Bypass-innstillingen til filterhodet til lokale forhold, se kolonne **A** i tabellen på side III. Kontakt det lokale vannverket for å få informasjon om karbonathardhet.

Bypassinnstillingen som er stilt inn i filterhodet, må overføres til visningsenheten (C) som literangivelse, se bilde [4].

Stille inn antall liter (fra fabrikken er 600 liter forhåndsinnstilt), se bilde [4].

Verdien for antall liter avhenger av karbonathardheten iht. kolonne **B** i tabellen på side III.

Knapp		Visning
PROG. 	Trykk kort på knappen PROG (PRG blinker)	
RESET 	Trykk kort på knappen RESET for å gå til programmering av antall liter (00000 blinker)	
PROG. 	Trykk flere ganger på knappen PROG til ønsket posisjon er nådd (00000 siffer blinker)	
RESET 	Trykk flere ganger på knappen RESET til sønsket siffer er nådd (00600 siffer blinker)	
PROG. 	Trykk flere ganger på knappen PROG til menyen lukkes (PRG slukker og den innstilte verdien vises)	

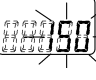


Vedlikehold

Filter

Se den tekniske produktinformasjonen for filterpatronen for opplysninger om utskifting av filter.

Nullstille filterkapasiteten på visningsenheten (C), se utbrettside II, bilde [4].


Etter at en ny filterpatron er satt inn, må filterkapasiteten nullstilles igjen som beskrevet nedenfor:

Knapp		Visning
	Visningen blinker (negativ literinnstilling, for eksempel -1 eller restkapasitet for eksempel 150 blinker)	
RESET 	Trykk på knappen RESET i 3 sekunder (rESet vises)	
	Dataene for tid og kapasitet i liter er nullstilt	

Merk: Den programmerte literinnstillingen for filterpatronen opprettholdes.

Batteri (F), se bilde [5] og [6].

Skift ut batteriet senest 7 år etter at armaturen ble tatt i bruk.


Knapp		Visning
	Visningen BATT blinker (batteriet er utladet og må skiftes)	

1. Løsne skruen (G) og ta av dekslet (H), se bilde [5].

2. Ta ut og skift batteriet (F), se bilde [6]. **OBS:** Pass på polariteten!

Merk: Innstillingene som brukeren har lagret, opprettholdes også etter batteriskift eller utladet batteri. Montering skjer i motsatt rekkefølge.

Informasjon om kassering

 Batteriene må kastes i henhold til gjeldende forskrifter!

FIN

Käyttöalue

Suodatinjärjestelmää saa käyttää vain yhdessä alkuperäisen GROHE Red -kuumavesisäiliön ja hanan kanssa.

Suodatinjärjestelmä mittaa tunnistimella virtauksen ja laskee tämän perusteella suodatinpanoksen jäännöskapasiteetin riippuen säädetyistä litratehosta. Jos näyttöyksikköön säädetty suodatinpanoksen litrateho ylitetään, arvot ilmoitetaan negatiivisina.

Lisäksi tunnistin valvoo suodatinpanoksen suurinta sallittua käyttöaika. Jos 12 kuukauden maksimikäyttöaika ylitetään, suodatinpanoksen jäännöskapasiteetti vilkkuu.

Suodatinjärjestelmä vähentää karbonaattikovuutta ja sitä täytyy käyttää alueilla, joilla karbonaattikovuus ylittää 12 °KH arvon. Vesisuodate on luokiteltu EN 1717 mukaan kategoriaan 2.

Tekniset tiedot

- Virtauspaine:
 - min. 0,1 MPa
 - suositus 0,2–0,5 MPa
- Käyttöpaine: maks. 0,2–0,8 MPa
- Pariston tunnistin: 3 V litiumparisto (tyyppi CR 2032)
- Näyttöyksikön kotelointiluokka (seinäasennus): IPX4
- Tunnistimen kotelointiluokka: IPX8

Hyväksyntä ja vaatimustenmukaisuus



Tämä tuote vastaa asianomaisten EU-direktiivien vaatimuksia.

Vaatimustenmukaisuusvakuutukset voit tilata seuraavasta osoitteesta:

GROHE Deutschland Vertriebs GmbH

Zur Porta 9

D-32457 Porta Westfalica

Asennus

Huomaa kääntöpuolen sivulla I oleva mittapiirros.

Suodatinpään ja suodattimen liittäminen, ks. suodatinpään ja suodatinpanoksen tekniset tuotetiedot ja kääntöpuolen sivu II, kuva [1]. Huomioi virtaussuunta.

- Asenna paineetku (A) suodatinpään tuloon.
- Asenna tunnistin (B) suodatinpään lähtöön. Tunnistin (B) täytyy asentaa vaakasuoraan.
- Asenna näyttöyksikkö (C).

Käytä sopivia ruuveja ja tarvittaessa ruuvitulppia (eivät kuuluu toimitussisältöön).

Suodatinjärjestelmän liittäminen, ks. kuva [2].

- Ruuvaa paineetku (D) tunnistimeen (B).
- Ruuvaa suodatinjärjestelmän paineetku (A) adapteriin (E) [Duo] tai suoraan kylmävesiliitäntään [Mono].
- Asenna GROHE Red -kuumavesijärjestelmä tuotteen ohessa olevan teknisen tuotetiedotteen ohjeiden mukaan.

Älä vielä kytke GROHE Red -kuumavesisäiliön jännitteensyöttöä!

Avaa kylmän veden syöttö ja tarkasta liitäntöjen tiiviys.

Karbonaattikovuuden säätö suodatinpäästä, ks. kuva [3]. Säädä karbonaattikovuus suodatinpään ohivirtaussäätimestä paikallisille olosuhteille, ks. taulukon sarakke A sivulla III. Karbonaattikovuuden voit kysyä paikalliselta vesilaitokselta. Suodatinpäähän säädetty ohivirtausasetus täytyy antaa ohjelitramääränä näyttöyksikölle (C), ks. kuva [4].

Ohjelitramäärän asetus (tehtaalla esiasetettu 600 litraan),

ks. kuva [4].

Ohjelitramäärän arvo tulee säätää karbonaattikovuudesta riippuen sivulla III olevan taulukon sarakkeen **B** mukaan.

Näppäin		Näyttö
PROG. 	Paina lyhyesti näppäintä PROG (PRG vilkkuu)	
RESET 	Paina lyhyesti näppäintä RESET , jotta pääset ohjelitramäärän ohjelmointiin (00000 vilkkuu)	
PROG. 	Paina näppäintä PROG niin monta kertaa, kunnes olet haluamassasi kohdassa (00000 numero vilkkuu)	
RESET 	Paina näppäintä RESET niin monta kertaa, kunnes olet haluamassasi numerossa (00600 numero vilkkuu)	
PROG. 	Paina näppäintä PROG niin monta kertaa, kunnes poistut valikosta (PRG sammuu ja näyttöön tulee asetettu arvo)	

Huolto

Suodatin

Suodattimen vaihtoa varten katso suodatinpanoksen teknistä tuotetiedotetta.

Suodatuskapasiteetin asetus alkutilaan näyttöyksikössä (C), ks. kääntöpuolen sivu II, kuva [4].

Uuden suodatinpanoksen asennuksen jälkeen suodatuskapasiteetti täytyy palauttaa taas alkutilaan seuraavasti:

Näppäin		Näyttö
	Näyttö vilkkuu (negatiivinen ohjelitramäärä, esimerkiksi -1 tai jäännöskapasiteetti esimerkiksi 150 vilkkuu)	
RESET 	Paina näppäintä RESET 3 sekuntia (rESet tulee näyttöön)	
	Ajan ja litratehon tiedot on palautettu alkutilaan	

Ohje: Suodatinpanoksen ohjelmoitu ohjelitramäärä jää ennalleen.

Paristo (F), ks. kuvat [5] ja [6].

Vaihda paristo viimeistään 7 vuoden kuluttua hanan käyttöönotosta.

Näppäin		Näyttö
	Näyttö BATT vilkkuu (paristo on tyhjä ja täytyy vaihtaa)	

1. Avaa ruuvi (G) ja poista kansi (H), ks. kuva [5].

2. Ota paristo (F) pois ja korvaa uudella, ks. kuva [6].

Huomio: Huomaa oikea napaisuus!

Ohje: Käyttäjän tallentamat asetukset säilyvät myös silloin, kun paristo on vaihdettu tai tyhjentynyt.

Osat asennetaan päinvastaisessa järjestyksessä.

Hävitysohje



Hävitä paristot maakohtaisten määräysten mukaan!

PL

Zakres stosowania

Zespół filtra można stosować tylko wraz z oryginalnym pojemnościowym podgrzewaczem do gorącej wody GROHE Red i armaturą.

Zespół filtra mierzy za pomocą czujnika natężenie przepływu i na tej podstawie oblicza resztkową wydajność wkładu filtra w zależności od ustawionej wydajności w litrach. Po przekroczeniu wydajności wkładu filtra (w litrach) ustawionej w zespole wyświetlacza będą wyświetlane wartości ujemne.

Ponadto czujnik nadzoruje maksymalny czas użytkowania wkładu filtra. Po przekroczeniu maksymalnego czasu użytkowania, wynoszącego 12 miesięcy, będzie migała wartość resztkowej wydajności wkładu filtra.

Zespół filtra redukuje twardość węglanową; należy go stosować w regionach, w których twardość węglanowa przekracza 12 °KH. Przefiltrowana woda została, zgodnie z normą EN 1717, zaliczona do kategorii 2.

Dane techniczne

- Ciśnienie przepływu:
 - min. 0,1 MPa
 - zalecane 0,2–0,5 MPa
- Ciśnienie robocze: maks. 0,2–0,8 MPa
- Bateria czujnika: bateria litowa 3 V (typ CR 2032)
- Klasa ochronna zespołu wyświetlacza (montaż w ścianie): IPX4
- Klasa ochronna czujnika: IPX8

Atesty i zgodność z normami



Wyrób odpowiada wymaganiom zawartym w odpowiednich dyrektywach UE.

Deklaracje zgodności można uzyskać pod następującym adresem:
GROHE Deutschland Vertriebs GmbH
Zur Porta 9
D-32457 Porta Westfalica

Montaż

Stosować się do rysunku wymiarowego na stronie rozkładanej I.

Podłączenie głowicy filtra i filtra, patrz Informacja techniczna dot. produktu – głowica filtra i wkład filtra oraz strona rozkładana II, rys. [1]. Zwrócić uwagę na kierunek przepływu.

1. Zamontować giętki przewód ciśnieniowy (A) na wejściu głowicy filtra.
2. Zamontować czujnik (B) na wyjściu głowicy filtra. Czujnik (B) musi być zamontowany poziomo.
3. Zamontować zespół wyświetlacza (C).

Użyć odpowiednich śrub i ewentualnie kołków rozporowych (nie należą do wyposażenia).

Podłączanie zespołu filtra, zob. rys. [2].

1. Przykręcić giętki przewód ciśnieniowy (D) do czujnika (B).
2. Giętki przewód ciśnieniowy (A) zespołu filtra przykręcić do adaptera (E) [Duo] lub bezpośrednio do przyłącza zimnej wody [Mono].
3. System gorącej wody GROHE Red zamontować zgodnie z dokumentacją techniczną załączoną do produktu.

! Jeszcze nie doprowadzać napięcia zasilającego do pojemnościowego podgrzewacza do gorącej wody GROHE Red!

Otworzyć zawór zimnej wody i sprawdzić szczelność przyłączy.

Ustawianie twardości węglanowej na głowicy filtracyjnej, zob. rys. [3].

Twardość węglanową ustawić na obejściu głowicy filtracyjnej odpowiednio do warunków lokalnych, zob. kolumna **A** tabeli na stronie III.

Informacji dotyczących twardości węglanowej udziela odpowiedni zakład wodociągowy.

Ustawiona w głowicy filtracyjnej wartość na obejściu musi zostać przeniesiona jako wydajność w litrach do zespołu wyświetlacza (C), zob. rys. [4].

Ustawianie wydajności w litrach (ustawienie fabryczne to 600 litrów), zob. rys. [4].

Wartość wydajności w litrach zależy od twardości węglanowej zgodnie z kolumną **B** tabeli na stronie III.

Przycisk		Wskazanie
PROG. 	Nacisnąć na moment przycisk PROG (miga PRG)	
RESET 	Nacisnąć na moment przycisk RESET , aby przejść do programowania wydajności w litrach (miga 00000)	
PROG. 	Naciskać przycisk PROG , aż zostanie osiągnięta odpowiednia pozycja (miga liczba 00000)	
RESET 	Naciskać przycisk RESET , aż zostanie osiągnięta odpowiednia liczba (miga liczba 00600)	
PROG. 	Naciskać przycisk PROG aż do wyjścia z menu (gaśnie napis PRG i pojawia się ustawiona wartość)	

Konserwacja

Filtr

Informacje na temat wymiany filtra, zob. załączona informacja techniczna dotycząca produktu – wkład filtra.

Resetowanie wydajności filtra na zespole wyświetlacza (C), zob. strona rozkładana II, rys. [4].

Po założeniu nowego wkładu filtra należy zresetować wydajność filtra w następujący sposób:

Przycisk		Wskazanie
	Miga wskazanie (miga ujemna wydajność w litrach, np -1, lub wydajność resztkowa, np 150)	
RESET 	Naciskać przycisk RESET przez 3 sekundy (pojawia się napis rESET)	
	Dane dotyczące czasu i wydajności w litrach zostały zresetowane.	

Wskazówka: Zaprogramowana wydajność (w litrach) wkładu filtra nadal pozostaje zapisana.

Bateria (F), zob. rys. [5] i [6].

Baterię zasilającą należy wymienić najpóźniej po upływie 7 lat od rozpoczęcia eksploatacji armatury.

Przycisk		Wskazanie
	Miga wskazanie BATT (bateria jest rozładowana i należy ją wymienić)	

1. Odkręcić śrubę (G) i zdjąć pokrywę (H), zob. rys. [5].

2. Wyjąć i wymienić baterię (F), zob. rys. [6]. **Uwaga:** Uważać na biegunowość!

Wskazówka: Zmiana baterii lub jej wyładowanie nie spowoduje usunięcia ustawień zapisanych w pamięci przez użytkownika. Montaż w odwrotnej kolejności.

Wskazówka dotycząca utylizacji

Baterie należy utylizować zgodnie z przepisami krajowymi!



قيمة التخطي المضبوطة لرأس المصفاة يلزم ضبطها أيضًا كمواصفات لتر في وحدة العرض (ج)، انظر الشكل [4].

إعداد مواصفات اللتر (إعداد المصنع هو 600 لتر)، انظر الشكل [4].

تتوقف قيمة مواصفات اللتر على صلابة المياه وفقًا لعمود الجدول ب في الصفحة III:

الزر	العرض
PROG. ○	اضغط لفترة وجيزة على زر PROG (يومض PRG)
RESET ○	اضغط لفترة وجيزة على زر RESET للوصول إلى البرمجة المتعلقة بمواصفات اللتر (يومض 00000)
PROG. ○	استمر في الضغط على زر PROG حتى يتم الوصول إلى الوضع المطلوب (يومض الأرقام 00000)
RESET ○	استمر في الضغط على زر PROG حتى يتم الوصول إلى الرقم المطلوب (يومض الأرقام 00600)
PROG. ○	استمر في الضغط على زر PROG للخروج من القائمة (يختفي PRG وتظهر قيمة الضبط)

الصيانة

المصفاة

انظر معلومات المنتج الفنية لخرطوشة المصفاة للحصول على معلومات حول استبدال خرطوشة المصفاة.

إعادة تعيين سعة المصفاة في وحدة العرض (ج)، انظر الصفحة المطوية II، الشكل [4].
بعد إدخال خرطوشة مصفاة جديدة، تلزم إعادة تعيين سعة المصفاة كما يلي:

الزر	العرض
	يومض العرض (مواصفات لتر سلبية، مثل 1- أو السعة المتبقية مثلًا يومض 150)
RESET ○	اضغط على زر RESET لمدة ثلاث ثوانٍ (يظهر rESEt)
	تم إعادة تعيين بيانات الوقت وسعة اللتر

ملاحظة: يتم الاحتفاظ بمواصفات اللتر المبرمجة لخرطوشة المصفاة.

البطارية (و)، انظر الشكل [5] و [6].

يجب استبدال البطارية على أقل تقدير بعد 7 سنوات من تشغيل الخلاط.

الزر	العرض
	يومض عرض BATT (البطارية فارغة وبحاجة للاستبدال)

١. قم بفك البرغي (و) وإزالة الغطاء (ح)، راجع الشكل [5].

٢. فك البطارية (و) واستبدالها، انظر الشكل [6].

مهم: لاحظ القطبية الصحيحة.

ملاحظة: لن يتم فقد أية مجالات ضبط قام المستخدم بحفظها عند تغيير البطاريات أو في حالة فراغ شحن البطارية.

قم بالتجميع بترتيب عكسي.

ملاحظة فيما يتعلق بالتخلص

قم بالتخلص من البطاريات بالتوافق مع اللوائح القومية.



نطاق الاستخدام

قد يتم تشغيل نظام المصفاة مع خزان الماء المغلي والخلاط فقط.

يقيس نظام المصفاة معدل التدفق باستخدام جهاز تحسس ومن خلال ذلك يتم حساب السعة المتبقية لخرطوشة المصفاة كوظيفة لسعة اللتر المضبوطة. في حالة تجاوز سعة لتر خرطوشة المصفاة المضبوطة على وحدة العرض، يتم عرض القيم كقيم سلبية.

يراقب جهاز التحسس أيضًا العمر الافتراضي الأقصى لخرطوشة المصفاة. في حالة تجاوز العمر الافتراضي الأقصى 12 شهرًا، تومض السعة المتبقية لخرطوشة المصفاة.

يقل نظام المصفاة صلابة الكربونات ويلزم استخدامه في مناطق تتجاوز صلابة الكربونات فيها 12 درجة بمقياس المحتوى الحراري.

تُصنف المياه المرشحة باعتبارها من الفئة 2 وفقًا للمعيار EN 1717.

البيانات الفنية

- ضغط التدفق:
 - الحد الأدنى
 - الموصى به
 - ضغط التشغيل:
 - بطارية جهاز التحسس:
 - تصنيف وحدة العرض (التركيب على الحائط):
 - تصنيف جهاز التحسس:
- 0.1 ميغاباسكال
0.2–0.5 ميغاباسكال
الحد الأقصى 0.2–0.8 ميغاباسكال
بطارية ليثيوم 3 فولت (نوع CR 2032)
IPX4
IPX8

التوافق والامتثال

يتوافق هذا المنتج مع متطلبات مبادئ الاتحاد الأوروبي التوجيهية ذات الصلة.



يمكن الحصول على إعلانات التوافق من خلال العنوان التالي:

GROHE Deutschland Vertriebs GmbH
Zur Porta 9
D-32457 Porta Westfalica

التركيب

راجع الرسم التفصيلي في الصفحة المطوية I.

قم بتوصيل رأس المصفاة والمصفاة، انظر المعلومات الفنية للمنتج المتعلقة برأس المصفاة وخرطوشة المصفاة والصفحة المطوية II، الشكل [1]. لاحظ اتجاه التدفق.

١. ركب خرطوم الضغط (أ) بمدخل رأس المصفاة.

٢. ركب جهاز التحسس (ب) في مخرج رأس المصفاة. يلزم تركيب جهاز التحسس (ب) أفقيًا.

٣. ركب وحدة العرض (ج).

استخدم براغي ومقابس حائط ملائمة (غير مضمنة في نطاق التسليم).

قم بتوصيل جهاز المصفاة، انظر الشكل [2].

١. قم بربط خرطوم الضغط (د) في جهاز التحسس (ب).

٢. قم بربط خرطوم الضغط (أ) من نظام المصفاة في المهايي (هـ) [مزدوج] أو مباشرة في وصلة المياه الباردة [أحادية].

٣. ركب نظام الماء المغلي GROHE Red وفقًا لمعلومات المنتج الفنية المرفقة مع المنتج.

لا تقم بتوصيل خط الإمداد بالفولطية بمخزن الماء المغلي GROHE Red الآن.



قم بفتح خط الإمداد بالمياه الباردة وتحقق من إحكام وعدم تسريب التوصيلات للمياه.

اضبط صلابة المياه في رأس المصفاة، انظر الشكل [3].

اضبط صلابة الكربونات في إعدادات المجرى الجانبي الخاص برأس المصفاة حسب الأوضاع المحلية، انظر عمود الجدول أ على الصفحة III.

يُمكن أن يقدم مورّد المياه المعني معلومات حول صلابة المياه.



Πεδίο εφαρμογής

Το σύστημα φίλτρου επιτρέπεται να χρησιμοποιείται αποκλειστικά με ένα γνήσιο συσσωρευτή καυτού νερού GROHE Red και γνήσια εξαρτήματα. Το σύστημα φίλτρου μετρά την παροχή με τη βοήθεια ενός αισθητήρα και υπολογίζει την υπολειπόμενη χωρητικότητα του φυσιγγίου φίλτρου, ανάλογα με την επιλεγμένη απόδοση σε λίτρα. Εάν ξεπεραστεί η απόδοση σε λίτρα του φυσιγγίου φίλτρου που έχει ρυθμιστεί στη μονάδα ενδείξεων, τότε οι τιμές θα εμφανίζονται με αρνητικό πρόσημο. Επιπλέον, ο αισθητήρας επιτρέπει τη μέγιστη διάρκεια χρήσης του φυσιγγίου φίλτρου. Εάν ξεπεραστεί η μέγιστη διάρκεια χρήσης των 12 μηνών, αναβοσβήνει η υπολειπόμενη χωρητικότητα του φυσιγγίου φίλτρου. Το σύστημα φίλτρου μειώνει τη σκληρότητα ανθρακικών αλάτων και πρέπει να χρησιμοποιείται σε περιοχές με σκληρότητα ανθρακικών αλάτων άνω των 12 °KH. Το φιλτραρισμένο νερό κατατάσσεται στην κατηγορία 2 κατά το πρότυπο EN 1717.

Τεχνικά στοιχεία

- Πίεση ροής:
 - ελάχ. 0,1MPa
 - συνιστάται 0,2–0,5MPa
- Πίεση λειτουργίας: μέγ. 0,2–0,8MPa
- Μπαταρία αισθητήρα: Μπαταρία λιθίου 3V (τύπος CR 2032)
- Βαθμός προστασίας μονάδας ενδείξεων (τοποθέτηση σε τοίχο): IPX4
- Βαθμός προστασίας αισθητήρα: IPX8

Έγκριση και συμβατότητα

CE Αυτό το προϊόν πληροί τις προδιαγραφές των αντίστοιχων οδηγιών της ΕΕ.

Τα πιστοποιητικά συμβατότητας μπορείτε να τα προμηθευθείτε από την ακόλουθη διεύθυνση:

GROHE Deutschland Vertriebs GmbH
Zur Porta 9
D-32457 Porta Westfalica

Εγκατάσταση

Λάβετε υπόψη το διαστασιολόγιο στην αναδιπλούμενη σελίδα I.

Σύνδεση κεφαλής φίλτρου και φίλτρου, βλέπε τις τεχνικές πληροφορίες της κεφαλής φίλτρου και του φυσιγγίου φίλτρου, καθώς και την αναδιπλούμενη σελίδα II, εικ. [1]. Λάβετε υπόψη τη διεύθυνση ροής.

1. Τοποθετήστε το σπирάλ πίεσης (A) στην είσοδο της κεφαλής φίλτρου.
2. Τοποθετήστε τον αισθητήρα (B) στην έξοδο της κεφαλής φίλτρου. Ο αισθητήρας (B) θα πρέπει να τοποθετηθεί οριζόντια.
3. Τοποθετήστε τη μονάδα ενδείξεων (C).

Χρησιμοποιήστε κατάλληλες βίδες και, εφόσον απαιτείται, τάπες (δεν περιλαμβάνονται στη συσκευασία).

Σύνδεση συστήματος φίλτρου, βλέπε εικ. [2].

1. Βιδώστε το σπирάλ πίεσης (D) στον αισθητήρα (B).
2. Βιδώστε το σπирάλ πίεσης (A) του συστήματος φίλτρου στη διάταξη προσαρμογής (E) [Duo] ή απευθείας στην παροχή κρύου νερού [Mono].
3. Τοποθετήστε το σύστημα καυτού νερού GROHE Red σύμφωνα με τις τεχνικές πληροφορίες που συνοδεύουν το προϊόν.

Μην αποκαθιστάτε ακόμη την τροφοδοσία τάσης του συσσωρευτή καυτού νερού GROHE Red!

Ανοίξτε την παροχή κρύου νερού και ελέγξτε τη στεγανότητα των συνδέσεων.

Ρυθμίστε τη σκληρότητα ανθρακικών αλάτων στην κεφαλή φίλτρου, βλέπε εικ. [3].

Προσαρμόστε τη σκληρότητα ανθρακικών αλάτων στις τοπικές συνθήκες, ρυθμίζοντας την παράκαμψη στην κεφαλή φίλτρου, βλέπε στήλη πίνακα **A** στη σελίδα III.

Μπορείτε να ενημερωθείτε για τη σκληρότητα ανθρακικών αλάτων από την αρμόδια εταιρεία ύδρευσης.

Η ρύθμιση παράκαμψης στην κεφαλή φίλτρου θα πρέπει να περαστεί στη μονάδα ενδείξεων (C) σε μορφή προεπιλεγμένων λίτρων, βλέπε εικ. [4].

Ρύθμιση προεπιλεγμένων λίτρων (η εργοστασιακή ρύθμιση είναι 600 λίτρα), βλέπε εικ. [4].

Η τιμή των προεπιλεγμένων λίτρων εξαρτάται από τη σκληρότητα ανθρακικών αλάτων, σύμφωνα με τη στήλη του πίνακα **B** στη σελίδα III:

Πλήκτρο		Ένδειξη
PROG. 	Πατήστε στιγμιαία το πλήκτρο PROG (αναβοσβήνει η ένδειξη PRG)	
RESET 	Πατήστε στιγμιαία το πλήκτρο RESET για να μεταβείτε στον προγραμματισμό των προεπιλεγμένων λίτρων (αναβοσβήνει το ψηφίο 00000)	
PROG. 	Πατήστε επανειλημμένα το πλήκτρο PROG μέχρι να επιτευχθεί η επιθυμητή θέση (αναβοσβήνει το ψηφίο 00000)	
RESET 	Πατήστε επανειλημμένα το πλήκτρο RESET μέχρι να επιτευχθεί το επιθυμητό ψηφίο (αναβοσβήνει το ψηφίο 00600)	
PROG. 	Πατήστε επανειλημμένα το πλήκτρο PROG μέχρι να κλείσει το μενού (η ένδειξη PRG σβήνει και εμφανίζεται η ρυθμισμένη τιμή)	

Συντήρηση

Φίλτρο

Για την αλλαγή φίλτρου, ανατρέξτε στις τεχνικές πληροφορίες του φυσιγγίου φίλτρου.

Επαναφορά της χωρητικότητας φίλτρου στη μονάδα ενδείξεων (C), βλέπε αναδιπλούμενη σελίδα II, εικ. [4].

Μετά την τοποθέτηση ενός νέου φυσιγγίου φίλτρου, θα πρέπει να επαναφέρετε τη χωρητικότητα φίλτρου ως εξής:

Πλήκτρο		Ένδειξη
	Η ένδειξη αναβοσβήνει (αναβοσβήνει μια αρνητική τιμή προεπιλεγμένων λίτρων, π.χ. -1 ή η υπολειπόμενη χωρητικότητα, π.χ. 150)	
RESET 	Πατήστε παρατεταμένα το πλήκτρο RESET για 3 δευτερόλεπτα (εμφανίζεται η ένδειξη RESEt)	
	Η επαναφορά της ώρας και της απόδοσης σε λίτρα έχει ολοκληρωθεί	

Οδηγία: Η προγραμματισμένη τιμή προεπιλεγμένων λίτρων του φυσιγγίου φίλτρου παραμένει ως έχει.

Μπαταρία (F), βλέπε εικ. [5] και [6].

Η μπαταρία θα πρέπει να αντικατασταθεί το αργότερο 7 χρόνια μετά την έναρξη λειτουργίας των εξαρτημάτων.

Πλήκτρο		Ένδειξη
	Η ένδειξη BATT αναβοσβήνει (η μπαταρία έχει αποφορτιστεί και πρέπει να αντικατασταθεί)	

1. Λύστε τη βίδα (G) και αφαιρέστε το κάλυμμα (H), βλέπε εικ. [5].

2. Αφαιρέστε και αντικαταστήστε την μπαταρία (F), βλέπε εικ. [6].

Προσοχή: Λάβετε υπόψη την πολικότητα!

Οδηγία: Οι ρυθμίσεις που αποθηκεύονται από το χρήστη διατηρούνται και μετά την αντικατάσταση της μπαταρίας ή σε περίπτωση αποφορτισμένης μπαταρίας.

Η τοποθέτηση θα πρέπει να πραγματοποιηθεί ακολουθώντας την αντίστροφη σειρά.

Οδηγία απόρριψης

Απορρίψτε τις μπαταρίες σύμφωνα με τις διατάξεις της χώρας σας!



CZ

Oblast použití

Filtrační systém se smí používat pouze v kombinaci s originálním zásobníkem vroucí vody GROHE Red a příslušnou armaturou. Filtrační systém měří prostřednictvím snímače průtok, ze kterého pak v závislosti na nastaveném litrovém výkonu vypočítá zbytkovou kapacitu filtrační kartuše. Dojde-li k překročení litrového výkonu filtrační kartuše nastaveného na zobrazovací jednotce, zobrazují se záporné hodnoty. Snímač kromě toho kontroluje maximální dobu použití filtrační kartuše. Při překročení maximální doby použití 12 měsíců začne blikat kontrolka zbytkové kapacity filtrační kartuše. Filtrační systém snižuje karbonátovou tvrdost a musí se používat v oblastech s karbonátovou tvrdostí vody nad 12 °KH.

Přefiltrovaná voda je dle normy EN 1717 zařazena do kategorie 2.

Technické údaje

- Proudový tlak
 - min. 0,1 MPa
 - doporučený 0,2–0,5 MPa
- Provozní tlak: max. 0,2–0,8 MPa
- Baterie snímače: lithiová baterie 3 V (typ CR 2032)
- Druh el. ochrany zobrazovací jednotky (nástěnná montáž): IPX4
- Druh el. ochrany snímače: IPX8

Atest a shoda



Tento výrobek odpovídá požadavkům příslušných směrnic EU.

Prohlášení o shodě si lze vyžádat na následující adrese:

GROHE Deutschland Vertriebs GmbH

Zur Porta 9

D-32457 Porta Westfalica

Instalace

Postupujte podle výkresu s kótovanými rozměry na skládací straně I.

Připojení filtrační hlavičky a filtru, viz Technické informace o výrobku, které se týkají filtrační hlavičky a filtrační kartuše, a skládací strana II, obr. [1]. Dodržte směr proudění.

1. Přimontujte tlakovou hadici (A) ke vstupu filtrační hlavičky.
2. Přimontujte snímač (B) k výstupu filtrační hlavičky.

Snímač (B) musí být namontován ve vodorovné poloze.

3. Přimontujte zobrazovací jednotku (C).

Použijte vhodné šrouby a příp. i hmoždinky (nejsou součástí obsahu dodávky).

Připojení filtračního systému, viz obr. [2].

1. Našroubujte tlakovou hadici (D) na snímač (B).
2. Našroubujte tlakovou hadici (A) filtračního systému na adaptér (E) [Duo] nebo přímo na přípojku studené vody [Mono].
3. Namontujte systém na přípravu vroucí vody GROHE Red podle přiložené Technické informace o výrobku.

! Zásobník vroucí vody GROHE Red ještě nepřipojujte ke zdroji napětí!

Otevřete přívod studené vody a zkontrolujte těsnost přípojek.

Nastavení karbonátové tvrdosti vody na filtrační hlavičce, viz obr. [3].

Karbonátová tvrdost vody se nastavuje podle místních poměrů na regulátoru obtoku filtrační hlavičky, viz sloupec **A** tabulky na straně III.

Na hodnotu karbonátové tvrdosti vody se lze dotázat u příslušného vodárenského podniku.

Nastavení regulátoru obtoku provedené ve filtrační hlavičce se musí přenést jako hodnota litrového objemu do zobrazovací jednotky (C), viz obr. [4].

Nastavení litrového objemu (z výroby je přednastavena hodnota 600 litrů), viz obr. [4].

Hodnota litrového objemu je závislá na karbonátové tvrdosti vody podle sloupce **B** tabulky na straně III.

Tlačítko		Zobrazení
PROG. 	Krátce stiskněte tlačítko PROG (bliká údaj PRG)	
RESET 	Krátkým stisknutím tlačítka RESET přejděte do nabídky programování litrového objemu (bliká údaj 00000)	
PROG. 	Tlačítko PROG stiskněte opakovaně tolikrát, kolikrát je zapotřebí k dosažení požadované pozice (blikají číslice 00000)	
RESET 	Tlačítko RESET stiskněte opakovaně tolikrát, kolikrát je zapotřebí k dosažení požadované číslice (blikají číslice 00600)	
PROG. 	Tlačítko PROG stiskněte opakovaně tolikrát, kolikrát je zapotřebí k ukončení nabídky (údaj PRG zhasne a zobrazí se nastavená hodnota)	

Údržba

Filtr

Při výměně filtru postupujte podle Technické informace o výrobku – filtrační kartuše.

Vynulování kapacity filtru na zobrazovací jednotce (C),

viz skládací strana II, obr. [4].

Po nasazení nové filtrační kartuše se musí kapacita filtru opět vynulovat za použití následujícího postupu:

Tlačítko		Zobrazení
	Bliká displej (bliká záporný litrový objem, např. -1 nebo zbytková kapacita např. 150)	
RESET 	Stiskněte tlačítko RESET a podržte je po dobu 3 sekund (zobrazí se údaj RESET)	
	Údaje o času a litrovém výkonu jsou vynulovány	

Upozornění: Naprogramovaný litrový objem filtrační kartuše zůstane zachován.

Baterie (F), viz obr. [5] a [6].

Baterii je nutno vyměnit nejpozději do 7 let od prvního uvedení armatury do provozu.

Tlačítko		Zobrazení
	Na displeji bliká údaj BATT (baterie je vybitá a musí se vyměnit)	

1. Povolte šroub (G) a sejměte víko (H), viz obr. [5].

2. Vyměňte a vyměňte baterii (F), viz obr. [6]. **Pozor:** Dodržte správnou polaritu baterie!

Upozornění: Uživatelská nastavení, která jsou uložena v paměti, zůstávají zachována i po výměně baterie nebo při vybití baterie. Montáž se provádí v obráceném pořadí.

Upozornění pro likvidaci odpadu



Při likvidaci použitých baterií dodržujte místní předpisy týkající se ochrany životního prostředí!

H

Felhasználási terület

A szűrőrendszert csak eredeti GROHE Red forróvíztárolóval és szerelvényel együtt szabad üzemeltetni.

A szűrőrendszer egy érzékelővel méri az átfolyómenységet, és ebből számolja ki a szűrőpatron tartalékkapacitását a beállított literteljesítmény függvényében. Amennyiben a szűrőpatron a kijelzőegységen beállított literteljesítményt túllépi, az egység negatív értékeket jelez ki.

Ezenkívül az érzékelő a szűrőpatron maximális üzemidejét is felügyeli. Amennyiben az üzemidő meghaladja a 12 hónapot, a szűrőpatron tartalékkapacitásának kijelzője villogni kezd. A szűrőrendszer csökkenti a karbonátkeménységet; olyan területeken kell alkalmazni, ahol a karbonátkeménység meghaladja a 12 °KH keménységi fokot.

A szűrt víz az EN 1717 szabvány 2. kategóriájába sorolható.

Műszaki adatok

- Áramlási nyomás:
 - min. 0,1 MPa
 - javasolt 0,2–0,5 MPa
- Üzemi nyomás max. 0,2–0,8 MPa
- Elemérzékelő: 3 V-os lítiumelem (CR 2032 típus)
- Védettségi fokozat kijelzőegysége (fali): IPX4
- Védettségifokozat-érzékelő: IPX8

Engedély és megfelelés



Ez a termék megfelel a vonatkozó EU-jogszabályok követelményeinek.

A megfelelési nyilatkozatok a következő címről rendelhetők meg:

GROHE Deutschland Vertriebs GmbH

Zur Porta 9

D-32457 Porta Westfalica

Felszerelés

Ügyeljen az I. kihajtható oldalon található méretrajzra.

Csatlakoztassa a szűrőfejet és szűrőt, lásd a szűrőfej és a szűrőbetét műszaki termékinformációit, illetve a II. kihajtható oldalon található [1] ábrát. Ügyeljen az áramlási irányra.

- Szerelje fel a nyomásálló tömlőt (A) a szűrőfej bemeneti nyílására.
- Szerelje fel az érzékelőt (B) a szűrőfej kimeneti nyílására. Az érzékelőt (B) vízszintesen kell felszerelni.
- Szerelje le a kijelzőegységet (C).

Megfelelő csavarokat és (szükség esetén) dübeleket használjon (a csomagolás ezeket nem tartalmazza).

Csatlakoztassa a szűrőrendszert, lásd a [2] ábrát.

- Csavarja fel a nyomótömlőt (D) az érzékelőre (B).
- A szűrőrendszer nyomásálló csövét (A) az adapterre (E) [Duo], vagy közvetlenül a hidegvíz-csatlakozóra [Mono] csavarozza fel.
- A GROHE Red forróvíztároló rendszert a mellékelt műszaki termékinformáció szerint kell felszerelni.

! A GROHE Red forróvíztárolót még ne helyezze áram alá!

Nyissa meg a hidegvíz csapját, és ellenőrizze a csatlakozók rögzítését.

Állítsa be a karbonátkeménységet a szűrőfejen, lásd a [3] ábrát.

Állítsa be a karbonátkeménységet a szűrőfej bypass beállítóján a helyi viszonyoknak megfelelően, lásd a III. oldalon lévő táblázat A oszlopát.

A karbonátkeménységet az illetékes vízműtől tudhatja meg.

A szűrőfejen megadott bypass beállítást literben megadott adatként kell átvinni a kijelzőegységre (C), lásd a [4] ábrát.

Állítsa be a literkapacitást (gyárilag 600 liter van beállítva), lásd a [4] ábrát.

A literkapacitás értéke a karbonátkeménységtől függ, a III. oldalon látható B oszlop szerint.

Gomb		Kijelző
PROG. 	Nyomja meg röviden a PROG gombot (a PRG villog).	
RESET 	Nyomja meg röviden a RESET gombot a literkapacitás programozásához (00000 villog).	
PROG. 	A PROG gombot annyiszor nyomja meg, amíg el nem éri a kívánt helyet (00000 számjegy villog).	
RESET 	A RESET gombot annyiszor nyomja meg, amíg el nem éri a kívánt számjegyet (00600 számjegy villog).	
PROG. 	A PROG gombot annyiszor nyomja meg, amíg el nem hagyja a Menüt (PRG kialszik, és a beállított érték jelenik meg).	

Karbantartás

Szűrő

A szűrőcseréhez tekintse meg a szűrőpatron műszaki adatait.

Szűrőkapacitása alaphelyzetbe állítása a kijelzőegységen (C), lásd a II. kihajtható oldalon található [4] ábrát

Új szűrőpatron behelyezése után a szűrőkapacitást az alábbiak szerint újra vissza kell állítani:

Gomb		Kijelző
	Villog a kijelző. (villog a negatív literkapacitás, pl. -1 vagy a tartalékkapacitás pl. 150)	
RESET 	Tartsa lenyomva három másodpercig a RESET gombot (megjelenik a RESET kijelzés).	
	Az idő és a literteljesítmény adatai vissza vannak állítva.	

Megjegyzés: A szűrőpatron beprogramozott literkapacitása megmarad.

Elem (F), lásd az [5] és [6] ábrát.

Az elemet legkésőbb 7 évvel a szerelvény használatba vétele után cserélje ki.

Gomb		Kijelző
	Villog a BATT kijelzés. (Az elem lemerült, ki kell cserélni.)	

1. Csavarja ki a csavart (G), és vegye le a fedelet (H), lásd az [5] ábrát.

2. Vegye ki az elemet (F), majd cserélje ki, lásd a [6] ábrát.

Figyelem! Ügyeljen a polarításra!

Megjegyzés: A felhasználó által mentett beállításokat az elemcsere után, illetve lemerült elem esetén is megőrzi a rendszer.

Az összeszerelést fordított sorrendben végezze el.

A megsemmisítésre vonatkozó utasítás



Az elemeket az adott országban érvényes előírások szerint ártalmatlanítsa!

P

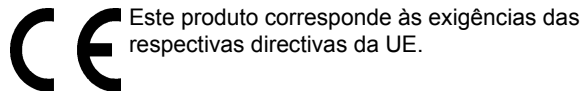
Campo de utilização

O sistema de filtragem pode ser utilizado apenas juntamente com uma caldeira com depósito Red original da Grohe e uma misturadora. O sistema de filtragem mede o caudal através de um sensor e calcula a capacidade residual do cartucho do filtro dependendo da potência por litro ajustada. Se a potência por litro ajustada na unidade visualizada do cartucho do filtro é ultrapassada, os valores são exibidos como negativos. No entanto, o sensor monitoriza a duração da utilização máxima do cartucho do filtro. Se a duração da utilização máxima de 12 meses é ultrapassada, a capacidade residual do cartucho do filtro pisca. O sistema de filtragem reduz a dureza carbonatada e deve ser utilizado em regiões com uma dureza carbonatada superior a 12 °dH. A água filtrada está classificada de acordo com a norma EN 1717, categoria 2.

Dados técnicos

- Pressão de caudal:
 - mín. 0,1 MPa
 - recomendado 0,2–0,5 MPa
- Pressão de serviço máx. 0,2–0,8 MPa
- Sensor da bateria: bateria de lítio de 3V (Tipo CR 2032)
- Tipo de protecção da unidade visualizada (montagem na parede): IPX4
- Sensor do tipo de protecção: IPX8

Licença e conformidade



Este produto corresponde às exigências das respectivas directivas da UE.

As declarações de conformidade poderão ser requeridas para o seguinte endereço:

GROHE Deutschland Vertriebs GmbH
Zur Porta 9
D-32457 Porta Westfalica

Instalação

Respeitar o desenho cotado na página desdobrável I.

Ligação da cabeça do filtro e do filtro, ver Informação técnica sobre os produtos da cabeça do filtro e do cartucho filtrante e página desdobrável II, fig. [1]. Tenha em atenção o sentido do caudal.

- Montar o tubo flexível de pressão (A) na entrada da cabeça do filtro.
- Montar o sensor (B) na saída da cabeça do filtro. O sensor (B) deve ser montado na horizontal.
- Montar a unidade visualizada (C). Utilizar parafusos adequados e buchas, se necessário (não incluído no material fornecido).

Ligação do sistema de filtragem, ver fig. [2].

- Enroscar o tubo flexível de pressão (D) no sensor (B).
- Enroscar o tubo flexível de pressão (A) do sistema de filtragem no adaptador (E) [Duo] ou directamente na ligação de água fria [Mono].
- Montar o sistema de água quente Red da GROHE conforme as informações técnicas sobre o produto em anexo ao produto.

! Não estabelecer ainda a tensão de alimentação da caldeira com depósito Red da GROHE!

Abrir a entrada de água fria e verificar as ligações quanto a estanqueidade.

Ajustar a dureza carbonatada na cabeça do filtro, ver fig. [3]. Ajustar a dureza carbonatada na regulação de bypass da cabeça do filtro, de acordo com as condições locais, ver a coluna **A** da tabela na página III. Pode informar-se sobre a dureza carbonatada junto do fornecedor de água competente.

A configuração de bypass ajustada na cabeça do filtro, deve ser transferida como volume predefinido para a unidade visualizada (C), ver fig. [4].

Configuração do volume predefinido (de fábrica estão predefinidos 600 litros), ver fig. [4].

O valor do volume predefinido deve ser ajustado de acordo com a dureza da água conforme a coluna **B** na página III.

Tecla		Visualização
PROG. 	Premir brevemente a tecla PROG (PRG pisca)	
RESET 	Premir brevemente a tecla RESET , para aceder à programação do volume predefinido (00000 pisca)	
PROG. 	Premir várias vezes a tecla PROG até atingir a posição desejada (00000 o número pisca)	
RESET 	Premir várias vezes a tecla RESET até atingir o número desejado (00600 o número pisca)	
PROG. 	Premir várias vezes a tecla PROG até abandonar o menu (PRG apaga e surge o valor ajustado)	

Manutenção

Filtro

Para substituir o filtro consulte a informação técnica sobre os produtos do cartucho do filtro.

Reposição da capacidade de filtragem na unidade

visualizada (C), ver página desdobrável II, fig. [4].

Após a instalação de um cartucho de filtro novo, a capacidade de filtragem deve ser reposta da seguinte forma:

Tecla		Visualização
	A indicação pisca (volume predefinido negativo, por ex. -1 ou capacidade residual por ex. 150 piscam)	
RESET 	Premir a tecla RESET durante 3 segundos (surge RESET)	
	Os dados para o tempo e a potência por litro foram repostos	

Nota: o volume predefinido programado do cartucho do filtro é conservado.

Bateria (F), ver fig. [5] e [6].

A bateria deverá ser substituída o mais tardar 7 anos após o início de funcionamento da misturadora.

Tecla		Visualização
	A indicação BATT pisca (A bateria está descarregada e deve ser substituída)	

- Soltar o parafuso (G) e retirar a tampa (H), ver fig. [5].
- Retirar e substituir a bateria (F), ver fig. [6]. **Atenção:** tenha em atenção a polaridade!

Nota: as regulações memorizadas pelo utilizador mantêm-se, mesmo após a substituição da bateria ou após a descarga da mesma. Instalação na sequência inversa.

Indicações de disposição final

- Eliminar a bateria de acordo com as regulamentações específicas do país!

TR**Kullanım sahası**

Filtre sistemi sadece orijinal GROHE Kırmızı Kaynar Su Deposu ve batarya ile çalıştırılmalıdır.

Filtre sistemi bir sensör ile akışı ölçer ve ayarlanmış litre debisine bağlı olarak filtre kartuşunun kalan kapasitesini hesaplar. Eğer filtre kartuşunun gösterge biriminde belirlenmiş olan litre debisi aşırsa, değerler negatif olarak gösterilir.

Ayrıca sensör, filtre kartuşunun maksimum kullanım süresini de takip eder. 12 aylık maksimum kullanım süresi aşırsa, filtre kartuşunun kalan kapasitesi yanıp söner.

Filtre sistemi karbonat yoğunluğunu azaltır ve karbonat yoğunluğu 12 °KH'nin üzerinde olan bölgelerde kullanılmalıdır. Su filtresi EN 1717'ye göre 2. kategori olarak sınıflandırılmıştır.

Teknik veriler

- Akış basıncı:
 - min. 0,1 MPa
 - tavsiye edilen 0,2–0,5 MPa
- İşletme basıncı: maks. 0,2–0,8 MPa
- Batarya sensörü: 3 V-Lityum batarya (CR 2032 tipi)
- Gösterge birimi koruma türü (Duvar montajı): IPX4
- Koruma türü sensörü: IPX8

Onay ve uygunluk

Bu ürün ilgili AB Yönergelerinin şartlarına uygundur.

Uygunluk beyanı aşağıdaki adresten temin edilebilir:

GROHE Deutschland Vertriebs GmbH

Zur Porta 9

D-32457 Porta Westfalica

Montaj

Katlanır sayfa I 'deki teknik çizime dikkat edin.

Filtre başlığı ve filtre bağlantısı, bkz. Filtre başlığı ve filtre kartuşunun teknik ürün bilgisi ve katlanır sayfa II, Şekil [1].

Akış yönüne dikkat edin.

- Basınç hortumunu (A) filtre başlığının girişine monte edin.
- Sensörü (B) filtre başlığının çıkışına monte edin. Sensör (B) yatay olarak monte edilmelidir.

- Gösterge birimini (C) monte edin.

Uygun civatalar ve dübellere kullanın (teslimat kapsamına dahil değildir).

Filtre sistemi bağlantısı, bkz. Şekil [2].

- Basınç hortumunu (D) sensöre (B) vidalayın.
- Filtre sisteminin basınç hortumunu (A) adaptöre (E) [Duo] veya direkt olarak soğuk su bağlantısına [Mono] vidalayın.
- GROHE Kırmızı Kaynar Su Sistemini ürünün teknik bilgilerine uygun olarak monte edin.

! GROHE Kırmızı Kaynar Su Deposunun voltaj beslemesini henüz bağlamayın!

Soğuk su girişini açın ve bağlantılarının sızdırmazlıklarını kontrol edin.

Filtre başlığındaki karbonat yoğunluğunu ayarlayın, bkz. Şekil [3].

Filtre başlığının baypas ayarında karbonat yoğunluğunu yerel şartlara göre ayarlayın, bkz. sayfa III, tablo sütunu **A**.

Karbonat yoğunluğunu su dağıtım şirketinizden öğrenebilirsiniz.

Filtre başlığında yapılan Bypass ayarı, litre hedefi olarak gösterge birimine (C) taşınmalıdır., bkz. Şekil [4].

Litre hedefinin ayarlanması (fabrika tarafında 600 litre önceden ayarlanmıştır), bkz. Şekil [4].

Litre hedefinin değeri, Sayfa III'de bulunan tablo sütunu **B**'deki karbonat yoğunluğuna bağlıdır.

Tuş		Gösterge
PROG. 	PROG tuşuna kısaca basın (PRG yanıp söner)	
RESET 	Litre hedefinin programlamasına girebilmek için RESET tuşuna kısaca basın, (00000 yanıp söner)	
PROG. 	İstenilen pozisyona erişilene kadar PROG tuşuna basın (00000 rakamı yanıp söner)	
RESET 	İstenilen rakama erişilene kadar RESET tuşuna basın (00600 rakamı yanıp söner)	
PROG. 	Menüden çıkılana kadar PROG tuşuna basın(PRG silinir ve ayarlanan değer görüntülenir)	

Bakım**Filtre**

Filtre değişimi için filtre kartuşunun teknik ürün bilgilerine bakın.

Gösterge biriminde (C) filtre kapasitesini sıfırlama, Katlanır sayfa II'ye bakın, Şekil [4].

Yeni bir filtre kartuşunun yerleştirilmesinden sonra filtre kapasitesi şu şekilde sıfırlanmalıdır:

Tuş		Gösterge
	Gösterge yanıp söner (negatif litre hedefi, örn -1 veya kalan kapasite örn 150 yanıp söner)	
RESET 	RESET düğmesinde 3 saniye boyunca basın(reSEt görünür)	
	Zaman ve litre debisi verileri sıfırlandı.	

Uyarı: Filtre kartuşunun programlanmış litre hedefi sabit kalır.

Batarya (F), bkz. Şekil [5] ve [6].

Bataryanın pilini en fazla 7 yıllık kullanımdan sonra değiştirin.

Tuş		Gösterge
	BATT göstergesi yanıp söner (Batarya boşaldı ve değiştirilmesi gerekiyor)	

- Cıvata (G) sökün ve kapağı (H) çıkartın, bkz. Şekil [5].

- Bataryayı (F) çıkartın ve değiştirin, bkz. Şekil [6].

Dikkat: Kutulara dikkat edin!

Uyarı: Kullanıcı tarafından kaydedilen ayarlar, olası bir pil değişiminden veya batarya pilinin boşalmasından sonra da kayıtlı kalır.

Montaj ters sıralamayla yapılır.

İmha uyarısı

Bataryaları ülkeye özgü talimatlara uygun şekilde imha edin!

SK

Oblasť použitia

Filtračný systém je dovolené prevádzkovať len v kombinácii s originálnym zásobníkom vriacej vody a armatúrou GROHE Red. Filtračný systém meria prostredníctvom senzora prietok a potom z toho v závislosti od nastaveného litrového výkonu vypočíta zostatkovú kapacitu filtračnej kartuše. Pri prekročení litrového výkonu filtračnej kartuše nastaveného na displeji sa zobrazia záporné hodnoty.

Senzor okrem toho kontroluje maximálnu dobu používania filtračnej kartuše. Pri prekročení maximálnej doby používania 12 mesiacov začne blikať kontrolka zostatkovej kapacity filtračnej kartuše.


Filtračný systém znižuje karbonátovú tvrdosť a musí sa používať v oblastiach s karbonátovou tvrdosťou vody vyššou ako 12 °KH.

Prefiltrovaná voda je podľa normy EN 1717 zaradená do kategórie 2.

Technické údaje

- Hydraulický tlak:
 - min. 0,1 MPa
 - odporúčaný 0,2–0,5 MPa
- Prevádzkový tlak: max. 0,2–0,8 MPa
- Batéria senzora: 3 V lítiová batéria (typ CR 2032)
- Druh el. ochrany displeja (nástenná montáž): IPX4
- Druh el. ochrany senzora: IPX8

Atest a zhoda výrobu

 Tento výrobok spĺňa všetky požiadavky príslušných smerníc EÚ.

Prehlásenia o zhode je možné si vyžiadať na nasledujúcej adrese:

GROHE Deutschland Vertriebs GmbH

Zur Porta 9
D-32457 Porta Westfalica

Inštalácia

Dodržiňte kótované rozmery z výkresu na skladacej strane I.

Pripojenie filtračnej hlavice a filtra, pozri technické informácie o výrobku pre filtračnú hlavicu a filtračnú kartušu, ako aj skladáciu stranu II, obr. [1]. Dodržujte smer prúdenia.

- Na vstup filtračnej hlavice namontujte tlakovú hadicu (A).
- Na výstup filtračnej hlavice namontujte senzor (B). Senzor (B) sa musí namontovať vodorovne.

3. Namontujte displej (C).

Použite vhodné skrutky a v príp. potreby príchytky (nie sú súčasťou dodávky).

Pripojenie filtračného systému, pozri obr. [2].

- Tlakovú hadicu (D) naskrutkujte na senzor (B).
- Tlakovú hadicu (A) filtračného systému naskrutkujte na adaptér (E) [Duo] alebo priamo na prípojku studenej vody [Mono].
- Systém na prípravu vriacej vody GROHE Red namontujte podľa priložených technických informácií o výrobku.

! Zásobník vriacej vody GROHE Red ešte nepripájajte k napájaciemu napätiu!

Otvorte prívod studenej vody a skontrolujte tesnosť pripojok.

Nastavte karbonátovú tvrdosť na filtračnej hlavici, pozri obr. [3].

Karbonátovú tvrdosť vody nastavte podľa miestnych podmienok pomocou regulátora obtoku filtračnej hlavice, pozri stĺpec **A** v tabuľke na strane III.

Informácie o karbonátovej tvrdosti vody vám poskytne príslušný vodárenský podnik.

Nastavenie regulátora obtoku vykonané vo filtračnej hlavici sa musí preniesť do jednotky displeja (C) ako litrový objem, pozri obr. [4].

Nastavenie litrového objemu (od výroby je prednastavená hodnota 600 l), pozri obr. [4].

Hodnota litrového objemu závisí od karbonátovej tvrdosti podľa stĺpca **B** v tabuľke na strane III.

Tlačidlo		Zobrazenie
PROG. 	Krátko stlačte tlačidlo PROG (bliká PRG)	
RESET 	Krátkym stlačením tlačidla RESET prejdite do ponuky na programovanie litrového objemu (bliká 00000)	
PROG. 	Tlačidlo PROG stláčajte opakovane, až kým nedosiahnete požadovanú pozíciu (bliká číslica 00000)	
RESET 	Tlačidlo RESET stláčajte opakovane, až kým nedosiahnete požadovanú číslicu (bliká číslica 00600)	
PROG. 	Tlačidlo PROG stláčajte opakovane, až kým sa neukončí ponuka (zobrazenie PRG zmizne z displeja a zobrazí sa nastavená hodnota)	

Údržba

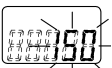


Filter

Pri výmene filtra postupujte podľa technických informácií o výrobku pre filtračnú kartušu.

Vynulovanie kapacity filtra na jednotke displeja (C),

pozri skladáciu stranu II, obr. [4].


Po nasadení novej filtračnej kartuše sa musí kapacita filtra znova vynulovať nasledujúcim spôsobom:

Tlačidlo		Zobrazenie
	Bliká ukazovateľ (záporný litrový objem, napr. -1 alebo bliká zostatková kapacita, napr. 150)	
RESET 	Stlačte tlačidlo RESET a podržte ho 3 sekundy (zobrazí sa reSet)	
	Údaje času a litrového výkonu sa vynulujú	

Upozornenie: Naprogramovaný litrový objem filtračnej kartuše sa nemení.

Batéria (F), pozri obr. [5] a [6].

Batéria sa musí vymeniť najneskôr po 7 rokoch od uvedenia armatúry do prevádzky.

Tlačidlo		Zobrazenie
	Bliká ukazovateľ BATT (Batéria je vybitá a musí sa vymeniť)	


1. Uvoľnite skrutku (G) a demontujte veko (H), pozri obr. [5].

2. Vyberte a vymeňte batériu (F), pozri obr. [6]. **Pozor:** Dodržujte správnu orientáciu pólov!

Upozornenie: Používateľské nastavenia uložené v pamäti zostávajú zachované aj pri výmene alebo vybití batérie.

Montáž v opačnom poradí.

Upozornenie k likvidácii odpadu

 Pri likvidácii použitých batérií dodržujte miestne predpisy na ochranu životného prostredia!

SLO

Področje uporabe

Filtrski sistem lahko uporabljate izključno z bojlerjem za vrelo vodo in armaturo GROHE Red.

Filtrski sistem s senzorjem meri pretok in iz tega izračuna ostalo kapaciteto filtrske kartuše v odvisnosti od nastavitve zmogljivosti v litrih. Če je prekoračena vrednost zmogljivosti v litrih filtrske kartuše, nastavljena na prikazovalni enoti, se vrednosti prikažejo negativno.

Poleg tega senzor nadzoruje maksimalno dobo uporabe filtrske kartuše. Če je presežena najdaljša doba uporabe 12 mesecev, začne ostank kapacitete filtrske kartuše utripati. Filtrski sistem zmanjšuje karbonatno trdoto in ga je treba uporabljati v območjih, ki imajo karbonatno trdoto nad 12 °KH. Filtriranje vode je po standardu EN 1717 uvrščeno v kategorijo 2.

Tehnični podatki

- Pretočni tlak:
 - najmanj 0,1 MPa
 - priporočeno 0,2–0,5 MPa
- Delovni tlak: največ 0,2–0,8 MPa
- Senzor baterije: 3-voltna litijeva baterija (tip CR 2032)
- Stopnja zaščite prikazovalne naprave (stenska montaža): IPX4
- Stopnja zaščite senzorja: IPX8

Atest in skladnost



Ta izdelek izpolnjuje zahteve ustreznih direktiv EU.

Izjave o skladnosti lahko zahtevate na spodnjem naslovu:

GROHE Deutschland Vertriebs GmbH

Zur Porta 9

D-32457 Porta Westfalica

Namestitev

Upoštevajte dimenzijsko risbo na zložljivi strani I.

Priklop filtrirne glave in filtra, glejte Tehnični podatki o izdelku za filtrirno glavo in filtrirno kartušo na zložljivi strani II, sl. [1]. Upoštevajte smer toka.

1. Tlačno cev (A) namestite na vhod filtrirne glave.
2. Senzor (B) namestite na izhod filtrirne glave. Senzor (B) morate namestiti vodoravno.
3. Namestite prikazovalno enoto (C).

Uporabite ustrezne vijake in po potrebi moznike (niso priloženi).

Priklop filtrskega sistema, glejte sl. [2].

1. Tlačno cev (D) privijte na senzor (B).
2. Tlačno cev (A) filtrskega sistema priključite na adapter (E) [Duo] ali neposredno na priključek za hladno vodo [Mono].
3. Sistem za vrelo vodo GROHE Red namestite skladno z izdelku priloženimi tehničnimi informacijami o izdelku.

! Napajanja bojlerja za vrelo vodo GROHE Red še ne vzpostavite.

Odprite dotok hladne vode in preverite tesnost priključkov.

Nastavitev karbonatne trdote na filtrirni glavi, glejte sliko [3]. Karbonatno trdoto vode na nastavitvi premestitve na filtrirni glavi nastavite glede na krajevne razmere, glejte stolpec **A** v tabeli na strani III.

Podatek o vrednosti karbonatne trdote vode lahko dobite pri pristojnem dobavitelju vode.

Na filtrski glavi nastavljeno nastavitev obkoda (C) morate prenesti na prikazovalno enoto kot vrednost v litrih, glejte sl. [4].

Nastavitev vrednosti v litrih (tovarniško je nastavljeno 600 litrov), glejte sl. [4].

Vrednost nastavitve v litrih je odvisna od karbonatne trdote glede na stolpec **B** tabele na strani III.

Tipka		Prikaz
PROG. 	Na kratko pritisnite tipko PROG (utripa PRG)	
RESET 	Na kratko pritisnite tipko RESET , da pridete do programiranja nastavitve v litrih (utripa 00000)	
PROG. 	Tolikokrat pritisnite tipko PROG , dokler ni dosežen zeleni položaj (utripa številka 00000)	
RESET 	Tolikokrat pritisnite tipko RESET , dokler ni dosežena zelena številka (utripa številka 00600)	
PROG. 	Tolikokrat pritisnite tipko PROG , da zapustite meni (PRG ugasne, prikaže se nastavljena vrednost)	

Vzdrževanje

Filter

Za menjavo filtra glejte tehnične podatke o izdelku za filtrsko kartušo.

Ponastavitev kapacitete filtra na prikazovalni enoti (C), glejte zložljivo stran II, sl. [4].

Po vstavitvi nove filtrske kartuše morate ponastaviti kapaciteto filtra kot sledi:

Tipka		Prikaz
	Prikaz utripa (negativna vrednost v litrih, na primer -1, ali ostanek kapacitete, na primer utripa 150)	
RESET 	Tipko RESET držite 3 sekunde (prikaže se RESET)	
	Podatki za čas in zmogljivost v litrih so ponastavljeni	

Opomba: Programirana vrednost v litrih za filtrsko kartušo se ohrani.

Baterija (F), glejte sl. [5] in [6].

Baterijo je treba zamenjati najpozneje 7 let po začetku uporabe armature.

Tipka		Prikaz
	Utripa prikaz BATT (Baterija je prazna in jo je treba zamenjati.)	

1. Odvijte vijak (G) in snemite pokrov (H), glejte sl. [5].

2. Odstranite baterijo (F) in jo zamenjajte, glejte sl. [6].

Pozor: Upoštevajte polarnost baterije!

Opomba: Nastavitve, ki jih je shranil uporabnik, se ohranijo tudi po zamenjavi baterije ali pri izpraznjeni bateriji. Montažo izvedite v obratnem vrstnem redu.

Navodila za odstranjevanje odpadkov

Baterije odstranite skladno s krajevnimi predpisi!



Područje primjene

Filtarskim sustavom smije se koristiti samo zajedno s originalnim GROHE Red spremnikom vrela vode i armaturom.

Filtarski sustav mjeri protok pomoću senzora i izračunava preostali kapacitet filtarske kartuše ovisno o podešenom litarskom učinku. Kod prekoračenja litarskog učinka filtarske kartuše podešenog na displeju, vrijednosti se prikazuju s negativnim predznakom.

Osim toga, senzor nadzire maksimalni rok uporabe filtarske kartuše. Prekoračenje maksimalnog roka uporabe od 12 mjeseci prikazuje se treptanjem preostalog kapaciteta filtarske kartuše.

Filtarski sustav smanjuje tvrdoću vode i mora se koristiti u područjima gdje ona prelazi 12 °KH.

Filtrat vode kategoriziran je u kategoriju 2 prema EN 1717.

Tehnički podaci

- Hidraulički tlak:
 - min. 0,1 MPa
 - preporučljivo 0,2–0,5 MPa
- Radni tlak: maks. 0,2–0,8 MPa
- Baterija senzora: litijeva baterija od 3 V (tip CR 2032)
- Način zaštite displeja (zidna montaža): IPX4
- Način zaštite senzora: IPX8

Dozvola i usklađenost



Ovaj proizvod ispunjava zahtjeve važećih direktiva EU-a.

Izjave o usklađenosti mogu se zatražiti na sljedećoj adresi:

GROHE Deutschland Vertriebs GmbH

Zur Porta 9

D-32457 Porta Westfalica

Ugradnja

Obratite pozornost na mjerni crtež na preklopljenoj strani I.

Priključivanje filtarske glave i filtra, vidi Tehničke informacije o proizvodu filtarske glave i filtra te preklopljenu stranu II, sl. [1].

Obratite pozornost na smjer strujanja.

1. Montirajte tlačnu gipku cijev (A) na ulaz filtarske glave.
2. Montirajte senzor (B) na izlaz filtarske glave. Senzor (B) mora se montirati u vodoravni položaj.
3. Montirajte jedinicu za prikaz (C).

Upotrijebite odgovarajuće vijke i po potrebi učvrstnice (nisu obuhvaćeni opsegom isporuke).

Priključivanje sustava filtra, vidi sl. [2].

1. Navrnite tlačnu gipku cijev (D) na senzor (B).
2. Navrnite tlačnu gipku cijev (A) filtarskog sustava na prilagodnik (E) [Duo] ili izravno na priključak hladne vode [Mono].
3. Montirajte GROHE Red sustav za vrelu vodu prema priloženim tehničkim informacijama o proizvodu.

! Još uvijek nemojte priključiti GROHE Red spremnik vrela vode na opskrbu naponom!

Otvorite dovod hladne vode i provjerite jesu li priključci nepropusni.

Namjestite tvrdoću vode na filtarskoj glavi, vidi sl. [3].

Namjestite tvrdoću vode elementom za podešavanje mimovoda filtarske glave na lokalne uvjete, vidi stupac **A** tablice na stranici III.

Tvrdoća vode može se saznati kod nadležnog poduzeća za vodoopskrbu.

Postav mimovoda podešen u filtarskoj glavi mora se prenijeti kao podatak za vod na jedinicu za prikaz (C), vidi sl. [4].

Namještanje zadane vrijednosti u litrama (tvornički je

podešeno 600 litara), vidi sl. [4].

Ovisno o tvrdoći vode iz stupca **B** tablice na stranici III, namjestite zadanu vrijednost u litrama.

Tipka		Prikaz
PROG. 	Kratko pritisnite tipku PROG (PRG treperi)	
RESET 	Kratko pritisnite tipku RESET kako biste ušli u Programiranje zadane vrijednosti u litrama (00000 treperi)	
PROG. 	Pritišćite tipku PROG sve dok ne dođete do željenog položaja (brojka 00000 treperi)	
RESET 	Pritišćite tipku RESET sve dok ne dođete do željene brojke (brojka 00600 treperi)	
PROG. 	Pritišćite tipku PROG sve dok ne izađete iz izbornika (PRG se gasi i pojavljuje se namještena vrijednost)	

Održavanje

Filtar

Za zamjenu filtra pogledajte tehničke informacije o filtarskoj kartuši.

Reset filtarskog kapaciteta na jedinici za prikaz (C), vidi preklopljenu stranu II, sl. [4].

Nakon ugradnje nove filtarske kartuše filtarski kapacitet mora se resetirati na sljedeći način:

Tipka		Prikaz
	Prikaz treperi (treperi negativna zadana vrijednost u litrama, npr. -1 ili preostali kapacitet, npr. 150)	
RESET 	Pritišćite tipku RESET 3 sekunde (pojavljuje se rESet)	
	Podaci za vrijeme i litarski učinak su resetirani	

Napomena: Programirana zadana vrijednost u litrama za filtarsku kartušu se zadržava.

Baterija (F), vidi sl. [5] i [6].

Baterija se mora zamijeniti najkasnije nakon 7 godina rada armature.

Tipka		Prikaz
	Prikaz BATT treperi (Baterija je prazna i mora se zamijeniti)	

1. Otpustite vijak (G) i skinite poklopac (H), vidi sl. [5].

2. Izvadite i zamijenite bateriju (F), vidi sl. [6]. **Pozor:** Vodite računa o polaritetu!

Napomena: Zamjena baterije ili prazna baterija ne uzrokuje gubitak postavki koje je pohranio korisnik.

Montaža se obavlja obrnutim redoslijedom.

Upute za zbrinjavanje otpada



Istrošene baterije odložite u skladu s važećim zakonskim propisima!



Област на приложение

Употребата на филтърната система е разрешена само с оригинален бойлер и батерия за вряла вода GROHE Red. Филтърната система измерва потока посредством сензор и изчислява остатъчния капацитет на филтъра в зависимост от настроените литров капацитет. Ако настроените на дисплея литров капацитет на филтърния картуш се надвиши, се отчитат отрицателни стойности.

Освен това сензорът контролира максималното време на експлоатация на филтърния картуш. Ако максималното време на експлоатация от 12 месеца се превиши, показателят за остатъчния капацитет на филтърния картуш мига.

Филтърната система намалява карбонатната твърдост на водата и трябва да се използва в райони със стойности на карбонатната твърдост на водата над 12 °KH.

Водният филтрат е класифициран в категория 2 съгласно EN 1717.

Технически характеристики

- Налягане на потока: 0,1 MPa
- мин. 0,2–0,5 MPa
- препоръчва се макс. 0,2–0,8 MPa
- Работно налягане макс. 0,2–0,8 MPa
- Батерия на сензора: 3 V-литиева батерия (тип CR 2032)
- Защитна степен на дисплея (стенен монтаж): IPX4
- Защитна степен на сензора: IPX8

Разрешение за пускане в експлоатация и съответствие



Този продукт отговаря на изискванията на съответните директиви на ЕС.

Декларации за съответствие могат да бъдат изискани на следния адрес:

GROHE Deutschland Vertriebs GmbH
Zur Porta 9
D-32457 Porta Westfalica

Монтаж

Съблюдавайте чертежа с размерите на страница I.

Свързване на филтърната глава и филтъра – вж. Техническа характеристика на филтърната глава и филтърния картуш и страница II, фиг. [1]. Съблюдавайте посоката на потока.

1. Монтирайте напорния шлаух (A) към входа на филтърната глава.
2. Монтирайте сензора (B) към изхода на филтърната глава. Сензорът (B) трябва да се монтира хоризонтално.
3. Монтирайте дисплея (C).

Използвайте подходящи винтове, респ. дюбели (не са включени в комплекта).

Свързване на филтърната система – вж. фиг. [2].

1. Завийте напорния шлаух (D) към сензора.
2. Завийте напорния шлаух (A) на филтърната система към адаптора (E) [Duo] или директно към връзката за студена вода [Mono].
3. Монтирайте системата за вряла вода GROHE Red съгласно приложената към продукта техническа информация.

! Все още не включвайте бойлера за вряла вода GROHE Red към електрозахранването!

Пуснете студената вода и проверете връзките за теч.

Настройка на карбонатната твърдост на водата при филтърната глава – вж. фиг. [3].

Задайте настройка на карбонатната твърдост на водата, съответстваща на местните условия, посредством регулатора на байпаса на филтърната глава, вж. колона A в таблицата на страница III.

Стойностите на карбонатната твърдост на водата могат да бъдат получени от съответното водоснабдително дружество. Настроената във филтърната глава стойност на байпаса (C) трябва да се прехвърли в дисплея (C) – вж. фиг. [4].

Настройка на зададените литри (заводската настройка е 600 литра) – вж. фиг. [4].

Стойността на зададените литри зависи от твърдостта на водата съгласно колонка B от таблицата на страница III.

Бутон		Символ/показател
PROG. 	Натиснете за кратко бутона PROG (PRG мига)	
RESET 	Натиснете за кратко бутона RESET , за да изберете програмирането на зададените литри (00000 мига)	
PROG. 	Натискайте бутона PROG , докато се достигне желаната позиция (цифрата 00000 мига)	
RESET 	Натискайте бутона RESET , докато се достигне желаната цифра (цифрата 00600 мига)	
PROG. 	Натискайте бутона PROG , докато излезете от менюто (PRG изгасва и се изписва настроената стойност)	

Техническо обслужване

Филтър

За смяна на филтъра вж. приложената техническа информация за филтърния картуш.

Възстановяване на първоначалните настройки на капацитета на филтъра (C) – вж. страница II, фиг. [4].

След поставянето на нов филтърен картуш трябва отново да се възстановят първоначалните настройки на капацитета на филтъра както следва:

Бутон		Символ/показател
	Показателят мига (мигат отрицателните литри, напр. -1, или остатъчният капацитет, напр. 150)	
RESET 	Натиснете бутона RESET за 3 секунди (появява се RESET)	
	Възстановени са първоначалните настройки за времетраене и литров капацитет	

Указание: Програмираните литри на филтърния картуш се запазват.

Батерия (F) – вж. фиг. [5] и [6].

Батерията трябва да се смени най-късно след 7-годишна употреба на водопроводната инсталация.

Бутон		Символ/показател
	Показателят BATT мига (батерията е изтощена и трябва да се смени)	

1. Отвийте винта (G) и свалете капака (H), вж. фиг. [5].

2. Извадете батерията (F) и я подменете, вж. фиг. [6].

Внимание: Спазвайте полярността!

Указание: Запамените от потребителя настройки се запазват и след смяна на батерията, както и при изтощена батерия. Монтажът се извършва в обратна последователност.

Указания за изхвърляне на батериите



Батериите трябва да се изхвърлят като отпадък съгласно наредбите на съответната страна!

EST

Kasutusala

Filtrisüsteemi tohib kasutada vaid GROHE Redi keevaveeboileri ja segistiga.

Filtrisüsteem mõõdab sensoriga läbivoolu ja arvutab selle alusel filtripadrundi jääkmahu olenevalt seadistatud liitri võimsusest. Kui näiduüksusel seadistatud filtripadrundi liitri võimsust ületatakse, kuvatakse negatiivne väärtus.

Peale selle kontrollib sensor filtripadrundi maksimaalset kasutusaega. Filtripadrundi maksimaalse kasutusaega (12 kuud) ületamisel hakkab filtripadrundi jääkmahtuvus vilkuma.

Filtrisüsteem vähendab vee karbonaatset karedust ja seda tuleb kasutada piirkondades, kus karbonaatne karedus on üle 12 °dH. Filtritritud vesi vastab standardi EN 1717 2. kategooriale.

Tehnilised andmed

- Voolusurve:
 - min 0,1 MPa
 - soovituslik 0,2–0,5 MPa
- Surve töörežiimis: max 0,2–0,8 MPa
- Patarei sensor: Liitumpatarei 3 V (tüüp CR 2032)
- Näiduüksuse turvalisuse aste (seinale paigaldamiseks): IPX4
- Sensori turvalisuse aste: IPX8

Kasutusluba ja vastavus



Siinne toode vastab kohaldatavates EL-i direktiivides kehtestatud nõuetele.

Vastavustunnistusi saab vajaduse korral küsida järgmiselt aadressilt:

GROHE Deutschland Vertriebs GmbH
Zur Porta 9
D-32457 Porta Westfalica

Paigaldamine

Järgige mõõtjoonist voldiku lk I.

Filtripea ja filtri ühendamine, vt filtripea ja filtripadrundi tehnilist tooteteavet ning voldiku lk II, joonist [1]. Jälgige voolusuunda.

- Paigaldage survevoolik (A) filtripea sissevooluava külge.
- Paigaldage sensor (B) filtripea väljavooluava külge. Sensor (B) tuleb paigaldada horisontaalselt.

3. Eemaldage (C).

Kasutage sobivaid kruvisid ja vajaduse korral tüüpleid (ei sisaldu tärnkomplektis).

Filtrisüsteemi ühendamine, vt joonist [2].

- Kruvige survevoolik (D) sensori (B) külge kinni.
- Keerake filtrisüsteemi survevoolik (A) siirdmiku (E) [Duo] või otse külma vee ühenduse [Mono] külge.
- Paigaldage GROHE Redi keevaveesüsteem tootega kaasasoleva tehnilise tooteinfo järgi.

Ärge ühendage veel GROHE Redi keevaveeboilerit vooluvõrku.

Avage külma vee juurdevool ja veenduge, et ühenduskohad ei lekiks.

Karbonaatse kareduse seadistamine filtripeas, vt joonist [3]. Seadistage karbonaatne karedus kohalike olude järgi, kasutades filtripea mõõdaviigu seadistust, vt tabelis veergu A voldiku lehel 3. Teavet karbonaatse kareduse kohta saate vastavast veevarustusest.

Filtripeas tehtud mõõdaviiguseadistus tuleb liitri seadeväärtusena üle kanda näiduüksusesse (C), vt joonist [4].

Liitri seadeväärtuse seadistamine (tehases on eelseadistatud 600 liitrit), vt joonist [4].

Liitri seadeväärtust tuleb reguleerida olenevalt veekaredusest, mis on kirjas voldiku lehe 3 tabeli veerus B:

Klahv		Näit
PROG. 	Vajutage korraks klahvi PROG (PRG vilgub)	
RESET 	Vajutage korraks klahvi RESET , et jõuda liitri seadeväärtuse programmimise juurde (00000 vilgub)	
PROG. 	Vajutage klahvi PROG mitu korda, kuni olete jõudnud soovitud positsioonini (00000 vilgub)	
RESET 	Vajutage klahvi RESET mitu korda, kuni olete jõudnud soovitud numbrini (00600 vilgub)	
PROG. 	Vajutage klahvi PROG mitu korda, kuni olete menüü sulgenud (PRG kustub ja ilmub seadistatud väärtus)	

Tehniline hooldus

Filter

Filtri vahetamiseks vt kaasasolevat filtripadrundi tehnilist tooteinformatsiooni.

Filtri mahu lähtestamine näidikuüksusel (C), vt voldiku lehel 2 joonist [4].

Pärast uue filtripadrundi sisseasetamist tuleb filtri mahtuvus järgmisel viisil lähtestada:

Klahv		Näit
	Näit vilgub (liitri negatiivne seadeväärtus (nt -1) või jääkmaht (nt 150) vilgub)	
RESET 	Hoidke klahvi RESET 3 sekundit all (ilmub RESET)	
	Aja ja liitri võimsuse andmed on lähtestatud	

Märkus. Filtripadrundi programmitud liitri seadeväärtus jääb püsima.

Patarei (F) vt jooniseid [5] ja [6].

Patarei tuleb välja vahetada hiljemalt 7 aastat pärast segisti kasutuselevõttu.

Klahv		Näit
	Näit BATT vilgub (patarei on tühi ja tuleb välja vahetada)	

- Keerake lahti kruvi (G) ja eemaldage kaas (H), vt joonist [5].
- Võtke patarei (F) välja ja paigaldage selle asemele uus, vt joonist [6]. **Tähelepanu!** Jälgige poolusi.

Märkus. Kasutaja salvestatud seadistused jäävad ka pärast patarei vahetamist või patarei tühenemisel alles. Paigaldama peab vastupidises järjekorras.

Jäätmekäitlus



Suunake patareid jäätmekäitlusesse lähtudes riiklikest eeskirjadest.

LV

Pielietojums

Filtru sistēmu drīkst lietot tikai kopā ar oriģinālu GROHE Red ūdens sildītāju un armatūru.

Filtru sistēmas sensors izmēra caurplūdi un aprēķina filtru patronas atlikušo kapacitāti atkarībā no iestatītās litru jaudas. Ja tiek pārsniegta displeja vienībā iestatītā filtra patronas litru jauda, tiek parādītas negatīvas vērtības.

Turklāt sensors pārrauga filtra patronas maksimālo lietošanas ilgumu. Ja tiek pārsniegts maksimālais lietošanas ilgums (12 mēneši), filtra atlikusī kapacitāte sāk mirgot.

Filtru sistēma samazina karbonātu cietību, un tā ir jāizmanto reģionos, kur ūdens karbonātu cietība ir lielāka par 12 °KH.

Ūdens filtrāts saskaņā ar standartu EN 1717 atbilst 2. kategorijai.

Tehniskie parametri

- Hidrauliskais spiediens:
 - min. 0,1 MPa
 - ieteicamais 0,2–0,5 MPa
- Darba spiediens: maks. 0,2–0,8 MPa
- Sensora baterija: 3 V litija baterija (tips: CR 2032)
- Displeja vienības aizsardzības veids (montāža pie sienas): IPX4
- Sensora aizsardzības veids: IPX8

Atļauja un atbilstība



Šis produkts atbilst saistošajām ES direktīvu prasībām.

Atbilstības deklarācijas varat pieprasīt, rakstot uz šādu adresi:

GROHE Deutschland Vertriebs GmbH

Zur Porta 9

D-32457 Porta Westfalica

Uzstādīšana

Skatiet rasējumu ar izmēriem I salokāmajā pusē.

Pievienojiet filtra galvu un filtru, skatiet tehnisko informāciju par filtra galvu un filtra patronu, kā arī II salokāmo pusi, [1.] att. Ievērojiet plūsmas virzienu.

1. Montējiet spiediena šļūteni (A) pie filtra galvas ieejas.
2. Montējiet sensoru (B) pie filtra galvas izejas. Sensors (B) ir jāmontē horizontāli.
3. Montējiet displeja vienību (C). Izmantojiet atbilstošas skrūves un nepieciešamības gadījumā arī dībeļus (nav ietverti piegādes komplektā).

Pievienojiet filtru sistēmu, skatiet [2.] att.

1. Pieskrūvējiet spiediena šļūteni (D) sensoram (B).
2. Pieskrūvējiet filtru sistēmas spiediena šļūteni (A) adapterim (E) (Duo) vai tieši aukstā ūdens pieslēgumam (Mono).
3. Montējiet GROHE Red ūdens uzsildīšanas sistēmu saskaņā ar produktam pievienoto tehnisko informāciju.

! Pagaidām nepievienojiet GROHE Red ūdens sildītāju strāvas padevei!

Atveriet aukstā ūdens padevi un pārbaudiet savienojumu hermētiskumu.

Iestatiet karbonātu cietību filtra galvā, skatiet [3.] att. Pie filtra galvas apvada iestatiet karbonātu cietību atbilstoši vietējiem apstākļiem, skatiet tabulas sleju **A** III salokāmajā pusē. Informāciju par karbonātu cietību varat uzzināt atbildīgajos ūdens apgādes dienestos.

Filtra galvā ievadītais apvada iestatījums ir jāievada arī displeja vienībā (C), skatiet [4.] att.

Iestatiet litru daudzumu (rūpnīcā iestatīts uz 600 litriem), skatiet [4.] att.

Litru daudzuma vērtība ir atkarīga no karbonātu cietības vērtības, kas norādīta III salokāmās puses tabulas slejā **B**.

Taustiņš		Rādījums
PROG. 	Īsi nospiediet taustiņu PROG (PRG mirgo) .	
RESET 	Īsi nospiediet taustiņu RESET , lai aktivizētu litru daudzuma iestatīšanu (mirgo 00000).	
PROG. 	Spiediet taustiņu PROG , līdz ir sasniegta vēlamā pozīcija (mirgo skaitlis 00000).	
RESET 	Spiediet taustiņu RESET , līdz ir sasniegts vēlamais skaitlis (mirgo skaitlis 00600).	
PROG. 	Spiediet taustiņu PROG , līdz izvēlnē tiek aizvērts (PRG izdziest, un tiek parādīta iestatītā vērtība).	

Tehniskā apkope

Filtrs

Lai nomainītu filtru, skatiet tehnisko informāciju par filtra patronu.

Displeja vienībā (C) atiestatiet filtra atlikušo kapacitāti, skatiet II salokāmo pusi, [4.] att.

Pēc jaunas filtra patronas ievietošanas filtra kapacitāte ir jāatiestata, veicot tālāk minētās darbības.

Taustiņš		Rādījums
	Rādījums mirgo (mirgo negatīvs litru daudzums, piem., -1 vai atlikusī kapacitāte, piem., 150).	
RESET 	3 sekundes turiet nospiestu taustiņu RESET (tiek parādīts RESET).	
	Laika un litru jaudas dati ir atiestatīti.	

Norādījums: Ieprogramētā filtra patronas litru daudzuma norāde saglabājas.

Baterija (F), skatiet [5.] un [6.] att.

Baterija jānomaina ne vēlāk kā 7 gadus pēc armatūras ekspluatācijas sākšanas.

Taustiņš		Rādījums
	Rādījums BATT mirgo (baterija ir izlādējusies, un tā ir jānomaina).	

1. Atskrūvējiet skrūvi (G) un noņemiet vāku (H), skatiet [5.] att.

2. Izņemiet un nomainiet bateriju (F), skatiet [6.] att.

Uzmanību! Ievērojiet baterijas polaritāti!

Norādījums: Lietotāja saglabātie iestatījumi nepazūd arī gadījumā, ja baterija tiek mainīta vai ir izlādējusies. Lai saliktu, veiciet minētās darbības pretējā secībā.

Norādījums par bateriju utilizāciju

Utilizējiet baterijas saskaņā ar attiecīgajā valstī spēkā esošajiem noteikumiem!

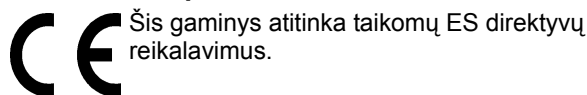
LT**Naudojimo sritis**

Filtravimo sistemą leidžiama eksploatuoti tik su originaliu akumuliaciniu „GROHE Red“ vandens šildytuvu ir maišytuvu. Filtravimo sistemos jutiklis matuoja vandens prataką ir pagal jį apskaičiuoja filtro kasetės likusią talpą, įvertindamas nustatytą našumą litrais. Jeigu rodytuve nustatytas filtro kasetės našumas litrais viršijamas, rodomos neigiamos vertės. Be to, jutikliu kontroliuojama ilgiausioji filtro kasetės naudojimo trukmė. Naudojant ilgiau nei 12 mėnesių, pradeda mirksėti filtro kasetės likusi talpa.

Filtravimo sistema mažina karbonatinį kietį. Ją reikia naudoti regionuose, kuriuose karbonatinis kietis yra didesnis kaip 12 °KH. Vandens filtratas pagal EN 1717 priskiriamas 2 kategorijai.

Techniniai duomenys

- Vandens slėgis:
 - min. 0,1 MPa
 - rekomenduojamas 0,2–0,5 MPa
- Didžiausias darbinis slėgis: 0,2–0,8 MPa
- Baterijos jutiklis: 3 V ličio baterija (CR 2032 tipas)
- Rodytuvo apsaugos tipas (montuojant ant sienos): IPX4
- Jutiklio apsaugos tipas: IPX8

Leidimas eksploatuoti ir atitiktis

Jei norite gauti atitikties deklaracijas, kreipkitės adresu:

GROHE Deutschland Vertriebs GmbH

Zur Porta 9

D-32457 Porta Westfalica

Įrengimas

Žr. I atlenkiamajame puslapyje esantį brėžinį su matmenimis.

Kaip prijungti filtro galvutę ir filtra, žr. filtro galvutės ir filtro kasetės techninės informacijos leidinyje ir II atlenkiamajame puslapyje, [1] pav. Atsižvelkite į vandens tekėjimo kryptį.

- Slėgimo žarną (A) sumontuokite prie filtro galvutės įvado.
- Jutiklį (B) sumontuokite prie filtro galvutės išvado. Jutiklį (B) reikia sumontuoti horizontaliai.
- Sumontuokite rodytuvą (C).

Naudokite tinkamus varžtus ir, jei reikia, kaiščius (nėra komplekte).

Kaip prijungti filtravimo sistemą, žr. [2] pav.

- Užsukite slėgimo žarną (D) ant jutiklio (B).
- Filtravimo sistemos slėgimo žarną (A) prisukite prie adapterio (E) [„Duo“] arba tiesiai prie šalto vandens jungties [„Mono“].
- „GROHE Red“ verdančio vandens sistemą sumontuokite pagal nuorodas, esančias su gaminiu pateikiamame techninės informacijos leidinyje.

! Prie akumuliacinio „GROHE Red“ verdančio vandens šildytuvo maitinimo įtampos dar neprijunkite!

Atsukite šalto vandens čiaupą ir patikrinkite, ar per jungtis neteka vanduo!

Filtro galvutėje nustatykite karbonatinį kietį, žr. [3] pav.

Filtro galvutės pralaidos reguliatoriuje karbonatinį kietį nustatykite atsižvelgdami į vietos sąlygas, žr. lentelės A stulpelį III puslapyje.

Karbonatinį kietį sužinosite atitinkamoje vandentiekio įmonėje. Filtro galvutėje nustatytą pralaidą kaip nurodytus litrus reikia perkelti į rodytuvą (C), žr. [4] pav.

Nurodytų litrų nustatymas (gamykloje nustatyta 600 litrų), žr. [4] pav.

Nurodytų litrų vertė priklauso nuo karbonatinio kiekio, nurodyto lentelės B stulpelyje, III atlenkiamajame puslapyje.

Mygtukas		Rodmuo
PROG. 	Trumpai spauskite mygtuką PROG (sumirksi PRG)	
RESET 	Trumpai spauskite mygtuką RESET , kad galėtumėte programuoti litrų rodmenį (sumirksi 00000)	
PROG. 	Pakartotinai spauskite mygtuką PROG , kol pasieksite pageidaujamą padėtį (sumirksi skaitmuo 00000)	
RESET 	Pakartotinai spauskite mygtuką RESET , kol pasieksite pageidaujamą skaitmenį (sumirksi skaitmuo 00600)	
PROG. 	Pakartotinai spauskite mygtuką PROG , kol išeisite iš meniu (PRG užgęsta ir pasirodo nustatyta vertė)	

Techninė priežiūra**Filtras**

Norėdami pakeisti filtrą žr. techninę informaciją apie filtro kasetę.

Kaip rodytuve (C) nustatyti pradinį filtro našumą,

žr. II atlenkiamajame puslapyje [4] pav.

Įstatę naują filtro kasetę, pradinį filtro našumą nustatykite taip:

Mygtukas		Rodmuo
	Rodmuo mirksi (neigiamas litrų rodmuo, pvz., -1 arba likusi talpa, pvz., mirksi 150)	
RESET 	Spauskite mygtuką RESET 3 sekundes (rodoma reSEt)	
	Laiko ir našumo (nurodoma litrais) duomenys atstatyti	

Pastaba: Užprogramuoti filtro kasetės litrai išlieka.

Baterija (F), žr. [5] ir [6] pav.

Bateriją reikia pakeisti ne vėliau nei po 7 metų nuo maišytuvo eksploatacijos pradžios.

Mygtukas		Rodmuo
	Mirksi rodmuo BATT (baterija išseikvota ir ją reikia pakeisti)	

1. Atsukite varžtą (G) ir nuimkite dangtelį (H), žr. [5] pav.

2. Išimkite bateriją (F) ir ją pakeiskite, žr. [6] pav. **Dėmesio!** Atkreipkite dėmesį į poliškumą!

Pastaba: Naudotojo išsaugoti nustatymai išlieka, pakeitus bateriją arba jai išseikvojus. Sumontuokite atvirkštine eilės tvarka.

Pastaba dėl utilizavimo

Maitinimo elementus utilizuokite laikydamiesi šalyje galiojančių teisės aktų!

RO**Domeniu de utilizare**

Sistemul de filtrare poate funcționa numai cu un rezervor original de apă clocotită și cu o baterie GROHE Red. Sistemul de filtrare măsoară debitul cu un senzor și calculează capacitatea reziduală a cartușului filtrant în funcție de productivitatea litrică setată. Dacă în unitatea de afișare este depășită productivitatea litrică setată a cartușului filtrant, valorile sunt afișate negativ.

În afară de aceasta, senzorul supraveghează durata maximă de utilizare a cartușului filtrant. Dacă se depășește durata maximă de utilizare de 12 luni, capacitatea reziduală a cartușului filtrant clipește.

Sistemul de filtrare reduce duritatea carbonică și trebuie utilizat în zonele cu o duritate carbonică mai mare de 12 °KH. Apa filtrată se încadrează în categoria 2 conform EN 1717.

Specificații tehnice

- Presiune de curgere:
 - min. 0,1 MPa
 - recomandat 0,2–0,5 MPa
- Presiune de lucru: max. 0,2–0,8 MPa
- Baterie senzor: baterie cu litu de 3 V (tip CR 2032)
- Grad de protecție unitate de afișare (montaj pe perete): IPX4
- Grad de protecție senzor: IPX8

Certificare și conformitate

Acest produs respectă prevederile cuprinse în directivele CE aferente.

Declarațiile de conformitate pot fi solicitate la următoarea adresă:

GROHE Deutschland Vertriebs GmbH

Zur Porta 9

D-32457 Porta Westfalica

Instalare

Se va respecta desenul cu cote de pe pagina pliantă I.

Conectarea capului filtrului și a filtrului; a se vedea informațiile tehnice despre produs pentru capul filtrului și pentru cartușul filtrant, precum și pagina pliantă II, fig. [1]. Se va respecta presiunea de curgere.

1. Se montează furtunul de presiune (A) la intrarea capului de filtrare.
2. Senzorul (B) se montează la ieșirea capului de filtrare. Senzorul (B) trebuie montat orizontal.
3. Se montează unitatea de afișare (C).

Se vor utiliza șuruburi și după caz dibluri adecvate (nu sunt incluse).

Conectarea filtrului; a se vedea fig. [2].

1. Se înșurubează furtunul de presiune (D) pe senzor (B).
2. Se înșurubează furtunul de presiune (A) al sistemului de filtrare pe adaptorul (E) [Duo] sau direct la bransamentul de apă rece [Mono].
3. Se montează sistemul de apă clocotită GROHE Red conform informațiilor tehnice ale produsului, care sunt atașate acestuia.

! Încă nu se pune sub tensiune boilerul pentru apă clocotită GROHE Red!

Se deschide alimentarea cu apă rece și se verifică etanșeitatea racordurilor.

Reglarea durității carbonice a apei la capul filtrului; a se vedea fig. [3].

Duritatea carbonică se setează la bypassul capului filtrului în funcție de condițiile locale; a se vedea coloana **A** a tabelului de pe pagina III.

Duritatea carbonică poate fi aflată de la furnizorul de apă. Reglarea bypassului setată la capul filtrului trebuie setată ca productivitate litrică în unitatea de afișare (C); a se vedea fig. [4].

Setarea productivității litrice (implicit este setată valoarea de 600 litri); a se vedea fig. [4].

Se va regla valoarea productivității litrice în funcție de duritatea carbonică, conform coloanei **B** a tabelului de pe pagina III.

Tastă		Text afișat
PROG. 	Se apasă scurt tasta PROG (PRG clipește)	
RESET 	Se apasă scurt tasta RESET , pentru a intra în modul de programare a productivității litrice (00000 clipește).	
PROG. 	Se apasă repetat tasta PROG până se obține poziția dorită (cifra 00000 clipește)	
RESET 	Se apasă repetat tasta RESET până se obține cifra dorită (00600 clipește)	
PROG. 	Se apasă repetat tasta PROG până se iese din meniu (PRG se stinge și apare valoarea setată)	

Întreținere**Filtru**

Pentru înlocuirea filtrului se vor consulta informațiile tehnice ale cartușului filtrant.

Resetarea capacității filtrului de la unitatea

de comandă (C); a se vedea pagina pliantă II, fig. [4].

După introducerea unui nou cartuș filtrant trebuie resetată capacitatea filtrului după cum urmează:

Tastă		Text afișat
	Afișajul clipește (clipește productivitatea litrică negativă, de ex., -1 sau capacitatea reziduală, de ex., 150)	
RESET 	Se apasă tasta RESET pentru 3 secunde (apare RESET)	
	Datele pentru timp și productivitatea litrică sunt resetate	

Indicație: Productivitatea litrică programată a cartușului filtrant se păstrează.

Bateria electrică (F); a se vedea fig. [5] și [6].

Bateria electrică se va înlocui cel târziu după 7 ani de la punerea în funcțiune a bateriei de apă.

Tastă		Text afișat
	Afișajul BATT clipește (bateria este descărcată și trebuie înlocuită)	

1. Se slăbește șurubul (G) și se scoate capacul (H); a se vedea fig. [5].

2. Se scoate bateria electrică (F) și se înlocuiește; a se vedea fig. [6]. **Atenție:** Respectați polaritatea!

Indicație: Setările memorate de utilizator se păstrează și după înlocuirea bateriei electrice când bateria este descărcată.

Se montează în ordine inversă.

Indicații privind evacuarea la deșeur

Bateriile electrice se vor evacua la deșeurii conform reglementărilor naționale în vigoare!



应用范围

过滤网系统只能与原装的 GROHE 红色沸水蓄热热水器配套使用。

过滤网系统使用传感器测量流量，并通过测量值计算出过滤网阀芯的剩余过滤能力，作为设定公升过滤能力的函数。如果超出了显示单元上设置的过滤网阀芯的公升过滤能力，该值将显示为负值。

传感器也会监测过滤网阀芯的最大使用寿命。如果超出 12 个月的最大使用寿命，过滤网阀芯的剩余过滤能力将会闪烁显示。

过滤网系统可以降低碳酸盐硬度，并且必须在碳酸盐硬度超过 12 °dH 的地区使用。

滤出的水根据 EN1717 归为第 2 类。

技术参数

- 水流压力：
 - 最小 0.1 MPa
 - 建议数值为 0.2–0.5 MPa
- 工作压力：最大 0.2–0.8 MPa
- 传感器电池：3 V 锂电池（类型 CR 2032）
- 显示装置防水等级（墙壁安装）：IPX4
- 传感器防水等级：IPX8

认证与合规性



本产品符合欧盟相关规定的要求。

如需合规性声明，请向以下地址索取：
GROHE Deutschland Vertriebs GmbH
Zur Porta 9
D-32457 Porta Westfalica

安装

请参见折页 I 上的三维视图。

关于过滤头与过滤网的连接，请参见过滤头与过滤网阀芯的产品技术信息以及折页 II 上的图 [1]。注意水流方向。

1. 安装压力软管 (A) 至过滤头的入水口。
 2. 在过滤头的出水口安装传感器 (B)。传感器 (B) 必须水平安装。
 3. 安装显示装置 (C)。
- 使用合适的螺钉以及墙壁橡皮塞（不在配送范围内）。

连接过滤网系统，如图 [2] 所示。

1. 将压力软管 (D) 用螺钉安装至传感器 (B) 上。
2. 将过滤网系统的压力软管 (A) 用螺钉安装至调节器 (E) [Duo] 或直接安装至冷水进水管接头 [Mono] 上。
3. 遵循随附的产品技术信息安装 GROHE 红色沸水系统。

请勿将电源与 GROHE 红色沸水蓄热热水器连接。

打开冷水管，检查连接是否存在渗漏情况。

在过滤头上设置水的硬度，请参见图 [3]。

根据当地情况在过滤头的旁通底座处设置水的硬度，请参见折页 III 中表格的 A 列。

相关的供水公司可以提供有关水的硬度的信息。

通过过滤头设置的旁通值也必须根据显示装置 (C) 上的公升规格进行设置，请参见图 [4]。

设置公升规格（出厂设置为 600 公升），请参见图 [4]。

公升规格的设置值视折页 III 中表格的 B 列中水的硬度而定：

按钮		显示
PROG. 	短按 PROG 按钮（PRG 闪烁）	
RESET 	短按 RESET 按钮以进入公升规格的编程（00000 闪烁）	
PROG. 	长按 PROG 按钮直至达到所需位置（00000 位闪烁）	
RESET 	长按 RESET 按钮直至达到所需位数（00600 位闪烁）	
PROG. 	长按 PROG 按钮以退出菜单（PRG 消失并且设置值出现）	

维护

过滤网

如需更换过滤网阀芯的信息，请参见包含过滤网阀芯内容的产品技术信息。

在显示装置 (C) 上重置过滤能力，参见折页 II 上的图 [4]。

插入新的过滤网阀芯后，过滤能力必须按如下方式重置：

按钮		显示
	显示闪烁 （负的公升规格，如 -1 或剩余过滤能力例如 150 闪烁）	
RESET 	按下 RESET （重置）按钮 3 秒（rESEt 出现）	
	时间与公升过滤能力的的数据得到重置	

注意：为过滤网阀芯编程的公升规格得以保留。

电池 (F)，如图 [5] 和图 [6] 所示。

必须在龙头使用后的 7 年内更换一次电池。

按钮		显示
	BATT 显示闪烁 （电池已被放电，需要更换）	

1. 拧松螺钉 (G)，然后卸下盖子 (H)，参见图 [5]。

2. 取出电池 (H1) 并更换，参见图 [12]。

重要提示： 请注意正负极方向是否正确。

注意：更换电池或电池放电时，用户保存的任何设置都不会丢失。

安装时请按照相反的顺序进行。

处理说明

请按照国家规定处理废旧电池。



Сфера застосування

Можна використовувати систему фільтрації тільки з оригінальним бойлером та змішувачем GROHE Red. Датчик системи фільтрації вимірює витрати та на підставі їх обчислює залишкову місткість фільтрувального елемента залежно від встановленої літрової потужності. Якщо встановлена літрова потужність фільтрувального елемента на індикаторному пристрої перевищена, значення відображаються як негативні.

Крім того, датчик стежить за максимальним періодом використання фільтрувального елемента. Якщо максимальний термін використання перевищує 12 місяців, блимає залишкова місткість фільтрувального елемента.

Система фільтрації зменшує карбонатну жорсткість і повинна застосовуватися в тих регіонах, де карбонатна жорсткість перевищує 12 °KH.

Відповідно до норм EN 1717 водяний фільтрат відноситься до категорії 2.

Технічні характеристики

- Гідралічний тиск:
 - мін. 0,1 МПа
 - рекомендовано 0,2–0,5 МПа
- Робочий тиск: макс. 0,2–0,8 МПа
- Батарея датчика: 3 В, літєва батарея (тип CR 2032)
- Тип захисту індикаторного пристрою (настінний монтаж): IPX4
- Тип захисту датчика: IPX8

Допуск і відповідність стандартам



Цей продукт відповідає вимогам відповідних директив ЄС.

Надіслати запит на отримання сертифікатів про відповідність можна за вказаною нижче адресою:

GROHE Deutschland Vertriebs GmbH

Zur Porta 9
D-32457 Porta Westfalica

Монтаж

Враховуйте розміри, вказані на складаному аркуші I.

Підключення голівки фільтра і фільтра дивіться технічну інформацію про голівку фільтра та фільтруючий елемент, складаний аркуш II, мал. [1]. Зверніть увагу на напрямок потоку.

- Встановити шланг високого тиску на вході голівки фільтра.
- Встановити датчик (B) на виході голівки фільтра. Необхідно встановити датчик (B) горизонтально.
- Встановити індикаторний пристрій (C).

Використати відповідні гвинти та, при необхідності, дюбелі (не входять в комплект поставки).

Підключення системи фільтрації, дивіться мал. [2].

- Під'єднати шланг високого тиску до датчика (B).
- Під'єднати шланг високого тиску системи фільтрації до перехідника (E) [Duo] чи безпосередньо до підключення холодної води [Mono].
- Встановити бойлерну систему GROHE Red відповідно до технічної інформації про виріб, яка додається.

❗ Поки не вмикати джерело живлення бойлера GROHE Red!

Відкрити подачу холодної води і перевірити герметичність з'єднувальних елементів.

Встановити карбонатну жорсткість на голівці фільтра, дивіться мал. [3].

Встановити карбонатну жорсткість перепускних налаштувань голівки фільтра в пропорції, дійсній для даної місцевості, див. стовпець таблиці A на сторінці III.

Інформацію щодо карбонатної жорсткості можна отримати у відповідного постачальника води.

Необхідно перенести встановлені перепускні налаштування на голівку фільтра як літраж на індикаторний пристрій (C), дивіться мал. [4].

Налаштування літражу (на заводі-виробнику складає 600 літрів) дивіться мал. [4].

Значення літражу залежить від карбонатної жорсткості відповідно до стовпця таблиці B на сторінці III.

Кнопка		Індикатор
PROG. 	Швидко натиснути кнопку ПРОГРАМА PROG (блимає PRG)	
RESET 	Щоб потрапити в режим програмування літражу (блимає 00000), швидко натиснути кнопку ПЕРЕЗАВАНТАЖЕННЯ RESET	
PROG. 	Деякі разів натиснути кнопку ПРОГРАМА PROG , поки буде досягнута необхідна позиція (блимає цифра 00000)	
RESET 	Деякі разів натиснути кнопку ПЕРЕЗАВАНТАЖЕННЯ RESET , поки буде досягнута необхідна цифра (блимає цифра 00600)	
PROG. 	Натиснути кнопку ПРОГРАМА PROG до виходу з меню (PRG гасне і з'являється встановлене значення)	

Технічне обслуговування

Фільтр

Для того, щоб замінити фільтр, перегляньте інформацію про фільтрувальний елемент.

Скидання ємності фільтра на індикаторному пристрої (C), дивіться розгорнуту сторінку II, мал. [4].

Після встановлення нового фільтрувального елемента необхідно скинути ємність фільтра наступним чином:

Кнопка		Індикатор
	Блимає індикатор (блимає негативна літрова потужність, наприклад, -1 або залишкова потужність, наприклад, 150)	
RESET 	На 3 секунди натиснути кнопку ПЕРЕЗАВАНТАЖЕННЯ RESET (з'являється RESET)	
	Скинуті дані часу та літрової потужності	

Примітка: Задана літрова норма картриджа фільтра залишається без змін.

Батарея (F), дивіться мал. [5] та [6].

Замінити батарею максимум через 7 років після введення арматури в експлуатацію.

Кнопка		Індикатор
	Блимає індикатор батареї BATT (батарея розряджена та підлягає заміні)	

1. Послабити гвинт (G) та зняти кришку (H), дивіться мал. [5].

2. Витягнути та замінити батарею (F), дивіться мал. [6].

Увага: Дотримуйтесь полярності!

Примітка: Навіть після заміни батареї або у разі її розрядження зберігаються всі налаштування, які користувач записав в пам'ять. Монтаж здійснюйте у зворотній послідовності.

Указівки щодо утилізації

Під час утилізації батареї дотримуйтесь розпорядження чинного законодавства даної країни!

RUS

Область применения

Можно использовать систему фильтрации только с оригинальным бойлером и арматурой GROHE Red.

Датчик системы фильтрации измеряет расход и на основании его вычисляет остаточную ёмкость фильтрующего элемента в зависимости от установленной литровой мощности. Если установленная литровая мощность фильтрующего элемента на индикаторном устройстве превышена, значения отображаются с отрицательным значением.

Кроме того, датчик следит за максимальным периодом использования фильтрующего элемента. Если максимальный срок использования превышает 12 месяцев, мигает показатель остаточной ёмкости фильтрующего элемента.

Система фильтрации сокращает карбонатную жёсткость воды и должна применяться в тех регионах, где карбонатная жёсткость превышает 12 °KH.

Очищенная этим фильтром вода относится к категории 2 согласно EN 1717.

Технические данные

- Давление воды:
 - мин. 0,1 МПа
 - рекомендовано 0,2–0,5 МПа
- Рабочее давление: макс. 0,2–0,8 МПа
- Батарея датчика: 3 В, литиевая батарея (тип CR 2032)
- Вид защиты индикаторного устройства (настенный монтаж): IPX4
- Вид защиты сенсора: IPX8

Допуск к эксплуатации и соответствие стандартам



Данное изделие удовлетворяет требованиям соответствующих директив ЕС.

Сертификаты соответствия можно запросить, обратившись по указанному ниже адресу:

GROHE Deutschland Vertriebs GmbH
Zur Porta 9
D-32457 Porta Westfalica

Установка

См. чертёж с размерами на складном листе I.

Подключение головки фильтра и фильтра, смотрите техническую информацию о головке фильтра и фильтрующем элементе, складной лист II, рис. [1]. Обратите внимание на направление течения.

- Установить напорный шланг (A) на входе головки фильтра.
 - Установить датчик (B) на выходе головки фильтра. Необходимо установить датчик (B) горизонтально.
 - Установить индикаторное устройство (C).
- Использовать соответствующие винты и, при необходимости, дюбели (не входят в комплект поставки).

Подсоединение системы фильтрации, смотрите рис. [2].

- Подключить напорный шланг (D) к датчику (B).
- Подключить напорный шланг (A) системы фильтрации к переходнику (E) [Duo] или непосредственно к подключению холодной воды [Mono].
- Установить бойлерную систему GROHE Red в соответствии с прилагающейся технической информацией по изделию.

Пока электропитание на бойлер GROHE Red не подавать!

Открыть подачу холодной воды и проверить герметичность соединительных элементов.

Регулировка карбонатной жёсткости воды на головке фильтра, смотрите рис. [3].

Отрегулировать карбонатную жёсткость перепускных настроек головки фильтра в пропорции согласно местным условиям, смотрите столбец таблицы **A** на странице III.

Показатели карбонатной жесткости воды можно узнать в соответствующей организации по водоснабжению.

Необходимо перенести установленные перепускные настройки на головке фильтра в качестве данных по литражу в индикаторное устройство (C), смотрите рис. [4].

Настройка литража (на заводе-изготовителе составляет 600 литров), смотрите рис. [4].

Значение литража зависит от карбонатной жёсткости воды в соответствии со столбцом таблицы **B** на странице III.

Кнопка		Индикатор
PROG. 	Непродолжительно нажать кнопку ПРОГРАММА PROG (мигает PRG)	
RESET 	Чтобы попасть в режим программирования литража (мигает 00000), непродолжительно нажать кнопку ПЕРЕЗАГРУЗКА RESET	
PROG. 	Несколько раз нажать кнопку ПРОГРАММА PROG , пока будет достигнуто необходимое положение (мигает цифра 00000)	
RESET 	Несколько раз нажать кнопку ПЕРЕЗАГРУЗКА RESET , пока будет достигнута необходимая цифра (мигает цифра 00600)	
PROG. 	Нажать кнопку ПРОГРАММА PROG до выхода из меню (PRG гаснет и появляется установленное значение)	

Техническое обслуживание

Фильтр

Для того, чтобы заменить фильтр, просмотрите техническую информацию по изделию.

Сброс ёмкости фильтра на индикаторном устройстве (C), смотрите складной лист II, рис. [4].

После установки нового фильтрующего элемента необходимо сбросить ёмкость фильтра следующим образом:

Кнопка		Индикатор
	Мигает индикация (мигает отрицательный литраж, например, -1 или остаточная ёмкость, например, 150)	
RESET 	На 3 секунды зажать кнопку ПЕРЕЗАГРУЗКА RESET (появляется RESET)	
	Данные времени и литровой мощности сброшены	

Примечание: Заданный литраж картриджа фильтра остается без изменений.

Батарея (F), смотрите рис. [5] и [6].

Заменить батарею максимум через 7 лет после введения арматуры в эксплуатацию.

Кнопка		Индикатор
	Мигает индикатор BATT (батарея) (батарея разряжена и подлежит замене)	

1. Ослабить винт (G) и снять крышку (H), смотрите рис. [5].

2. Вынуть и заменить батарею (F), смотрите рис. [6].

Внимание: Соблюдайте полярность!

Примечание: Установки, занесенные в память пользователем, сохраняются также после замены или при разрядке батареи. Монтаж производится в обратной последовательности.

Указание по утилизации

Аккумуляторные батареи утилизировать в соответствии с национальными предписаниями!

D
☎ +49 571 3989 333
impressum@grohe.de

A
☎ +43 1 68060
info-at@grohe.com

AUS
Argent Sydney
☎ +(02) 8394 5800
Argent Melbourne
☎ +(03) 9682 1231

B
☎ +32 16 230660
info.be@grohe.com

BG
☎ +359 2 9719959
grohe-bulgaria@grohe.com

CAU
☎ +99 412 497 09 74
info-az@grohe.com

CDN
☎ +1 888 6447643
info@grohe.ca

CH
☎ +41 448777300
info@grohe.ch

CN
☎ +86 21 63758878

CY
☎ +357 22 465200
info@grome.com

CZ
☎ +420 277 004 190
grohe-cz@grohe.com

DK
☎ +45 44 656800
grohe@grohe.dk

E
☎ +34 93 3368850
grohe@grohe.es

EST
☎ +372 6616354
grohe@grohe.ee

F
☎ +33 1 49972900
marketing-fr@grohe.com

FIN
☎ +358 10 8201100
teknocalor@teknocalor.fi

GB
☎ +44 871 200 3414
info-uk@grohe.com

GR
☎ +30 210 2712908
nsapountzis@ath.forthnet.gr

H
☎ +36 1 2388045
info-hu@grohe.com

HK
☎ +852 2969 7067
info@grohe.hk

I
☎ +39 2 959401
info-it@grohe.com

IND
☎ +91 124 4933000
customercare.in@grohe.com

IS
☎ +354 515 4000
jonst@byko.is

J
☎ +81 3 32989730
info@grohe.co.jp

KZ
☎ +7 727 311 07 39
info-cac@grohe.com

LT
☎ +372 6616354
grohe@grohe.ee

LV
☎ +372 6616354
grohe@grohe.ee

MAL
☎ +1 800 80 6570
info-singapore@grohe.com

N
☎ +47 22 072070
grohe@grohe.no

NL
☎ +31 79 3680133
vragen-nl@grohe.com

NZ
☎ +09/373 4324

P
☎ +351 234 529620
commercial-pt@grohe.com

PL
☎ +48 22 5432640
biuro@grohe.com.pl

RI
☎ +62 21 2358 4751
info-singapore@grohe.com

RO
☎ +40 21 2125050
info-ro@grohe.com

ROK
☎ +82 2 559 0790
info-singapore@grohe.com

RP
☎ +63 2 8041617

RUS
☎ +7 495 9819510
info@grohe.ru

S
☎ +46 771 141314
grohe@grohe.se

SGP
☎ +65 6 7385585
info-singapore@grohe.com

SK
☎ +420 277 004 190
grohe-cz@grohe.com

T
☎ +66 2610 3685
info-singapore@grohe.com

TR
☎ +90 216 441 23 70
GroheTurkey@grome.com

UA
☎ +38 44 5375273
info-ua@grohe.com

USA
☎ +1 800 4447643
us-customerservice@grohe.com

VN
☎ +84 8 5413 6840
info-singapore@grohe.com

AL **BiH** **HR** **KS**
ME **MK** **SLO** **SRB**
☎ +385 1 2911470
adria-hr@grohe.com

**Eastern Mediterranean,
Middle East - Africa
Area Sales Office:**
☎ +357 22 465200
info@grome.com

IR **OM** **UAE** **YEM**
☎ +971 4 3318070
grohedubai@grome.com

Far East Area Sales Office:
☎ +65 6311 3600
info@grohe.com.sg