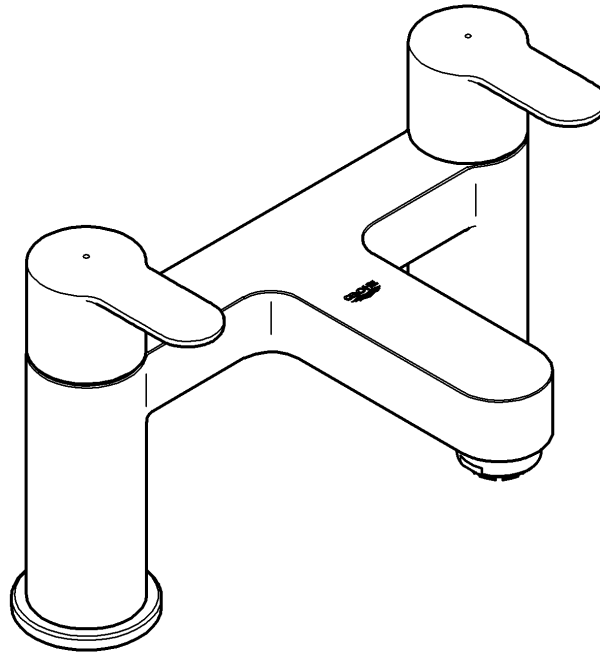
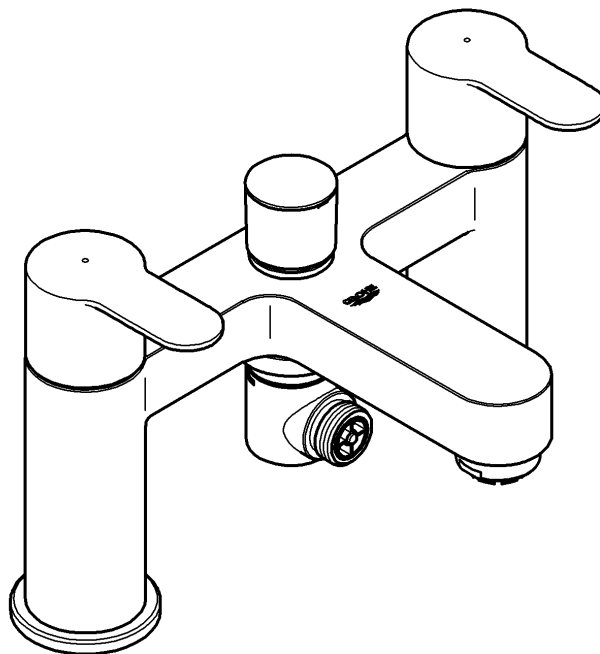
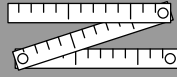


25 216

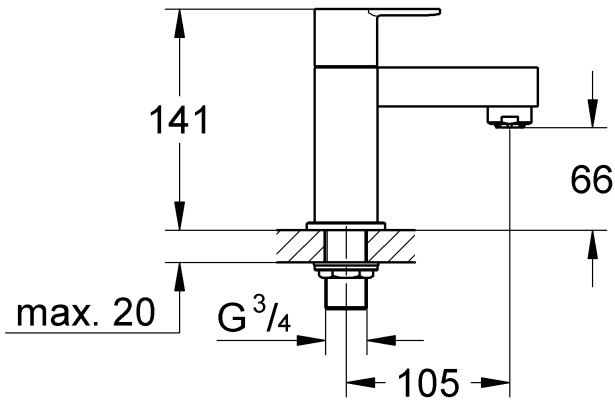


25 217

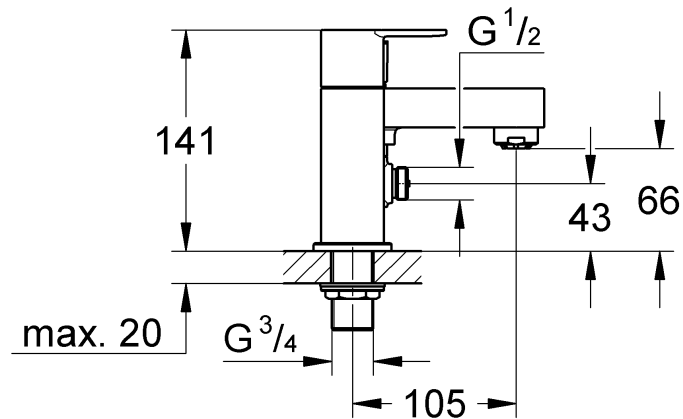




25 216



25 217



Please pass these instructions on to the end user of the fitting!



GB

Application

Can be used in conjunction with: Pressurised storage heaters, thermally and hydraulically controlled instantaneous heaters. Operation with low-pressure displacement water heaters is **not** possible.

Specifications

- Minimum flow pressure 0,1 bar
- Maximum operating pressure 10 bar
- Test pressure 16 bar

If static pressure is greater than 5 bar, fit pressure reducer. Avoid major pressure differences between cold and hot water supply.

- Temperature
 - Hot water inlet (maximum): 70 °C
 - Recommended (energy saving): 60 °C
- Water connection cold - right hot - left

Thermal disinfection possible.

New Water Regulations

This GROHE fitting with shower is equipped with single non-return valve. Please ensure installation complies with New Water Regulations covering backflow protection. It must also be installed in accordance with local bye-law requirements.

Installation

Flush piping system prior and after installation of fitting thoroughly (Consider EN 806)!

Bathtub rim mounting

Use mounting set to install the fitting, see fold-out page 3, Fig. [1].

Refer to the dimensional drawings on fold-out page 1.

The cold water supply must be connected on the right and the hot water supply on the left.

Open cold- and hot water supply and check connections for watertightness!

Check fitting for correct function, see Fig. [2].

Function of automatic diverter (A), see Fig. [3].

Turning the handle will release water delivery.

Water will emerge from the bath outlet first.

Pull diverter knob = to divert flow from bath outlet to shower outlet

Flow is diverted automatically from shower outlet to bath outlet when the fitting is closed.

Maintenance

Inspect and clean all parts, replace if necessary and grease with special grease.

Shut off cold and hot water supply!

I. Ceramic cartridge, see fold-out page 3, Fig. [4].

1. Pull off handle (B).
2. Unscrew screw (C) and pull off snap insert (D).
3. Unscrew ceramic cartridge (E) using a 17mm socket wrench.
4. Change complete ceramic cartridge (E).

Observe the different replacement part numbers of the ceramic cartridges.

Assemble in reverse order.

II. Diverter assembly, see fold-out page 3, Fig. [5].

1. Lever out cap (F).
2. With 7mm socket spanner, unscrew and remove nut (G).
3. Pull off diverter knob (H) and unscrew cap (J).
4. Remove circlip (K) and pull off connection nipple (L) with seal (M).
5. With 12mm Allen key, remove outlet nipple (N).
6. Remove spindle (O) with spring (P).

Assemble in reverse order.

III. Non-return valve, see fold-out page 3, Fig. [5].

Pull out non-return valve (R).

Assemble in reverse order.

IV. Flow straightener, see fold-out page 4.

Unscrew and clean flow straightener (46 164).

Assemble in reverse order.

Replacement parts, see fold-out page 4 (* = special accessories).

Care

Dear Customer,

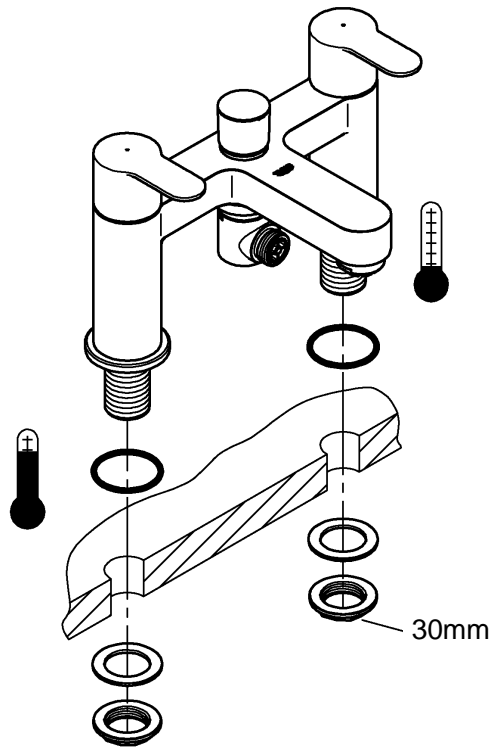
We want to ensure that you get long-lasting satisfaction and pleasure from your GROHE fitting. Therefore, please read the following care instructions because damage to the surface and underlying material resulting from improper treatment is not covered by warranty.

Do not use any abrasive sponges or scouring agents for cleaning. We also advise you not to use cleaning agents containing solvent or acid, limescale removers, household vinegar and cleaning agents with acetic acid in them. They are aggressive to the surface - and will leave your fitting dull and scratched. As the formulations of commercially available cleaning agents frequently change, we cannot guarantee they will provide the gentle care our fitting deserves.

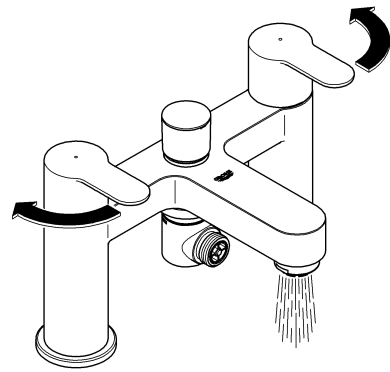
Clean the fitting with a little soap and a moist cloth only, then simply rinse off and wipe dry. You can avoid lime spots by drying the fitting each time it is used. If lime deposits do occur, remove them with **GrohClean**, our environment-friendly cleaning liquid. **GrohClean** is specially formulated to clean the surface of our fittings gently. **GrohClean** is available from your supplier.



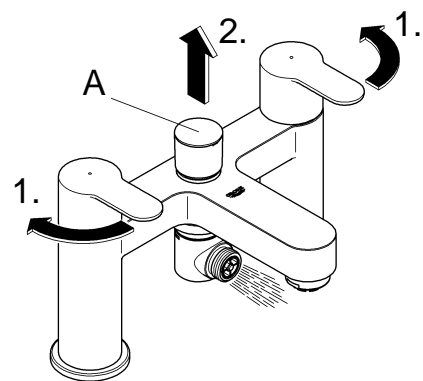
1



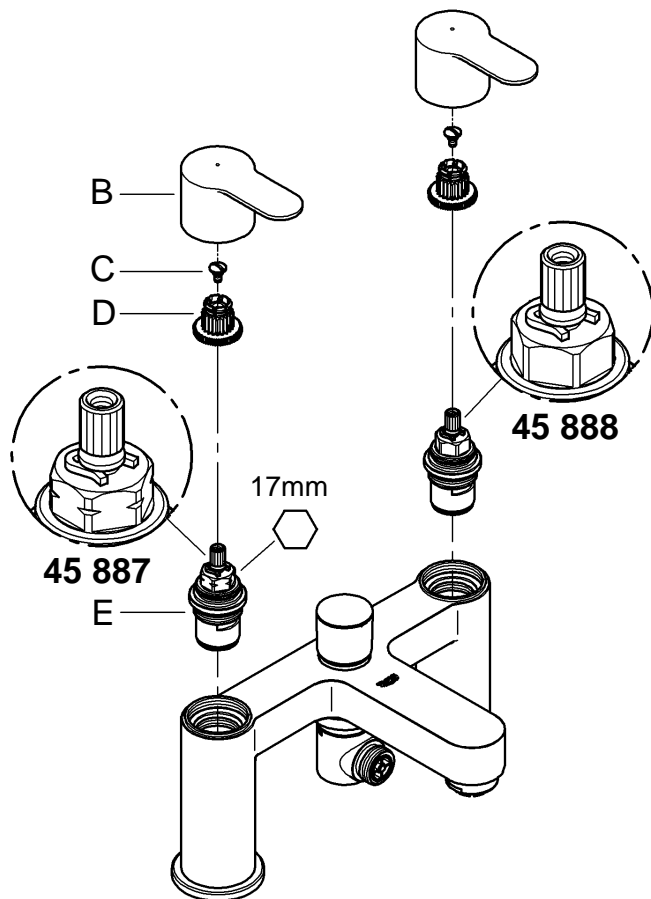
2



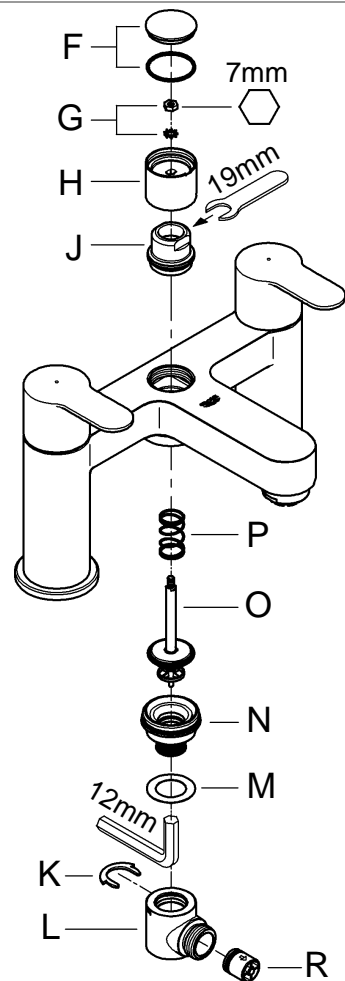
3

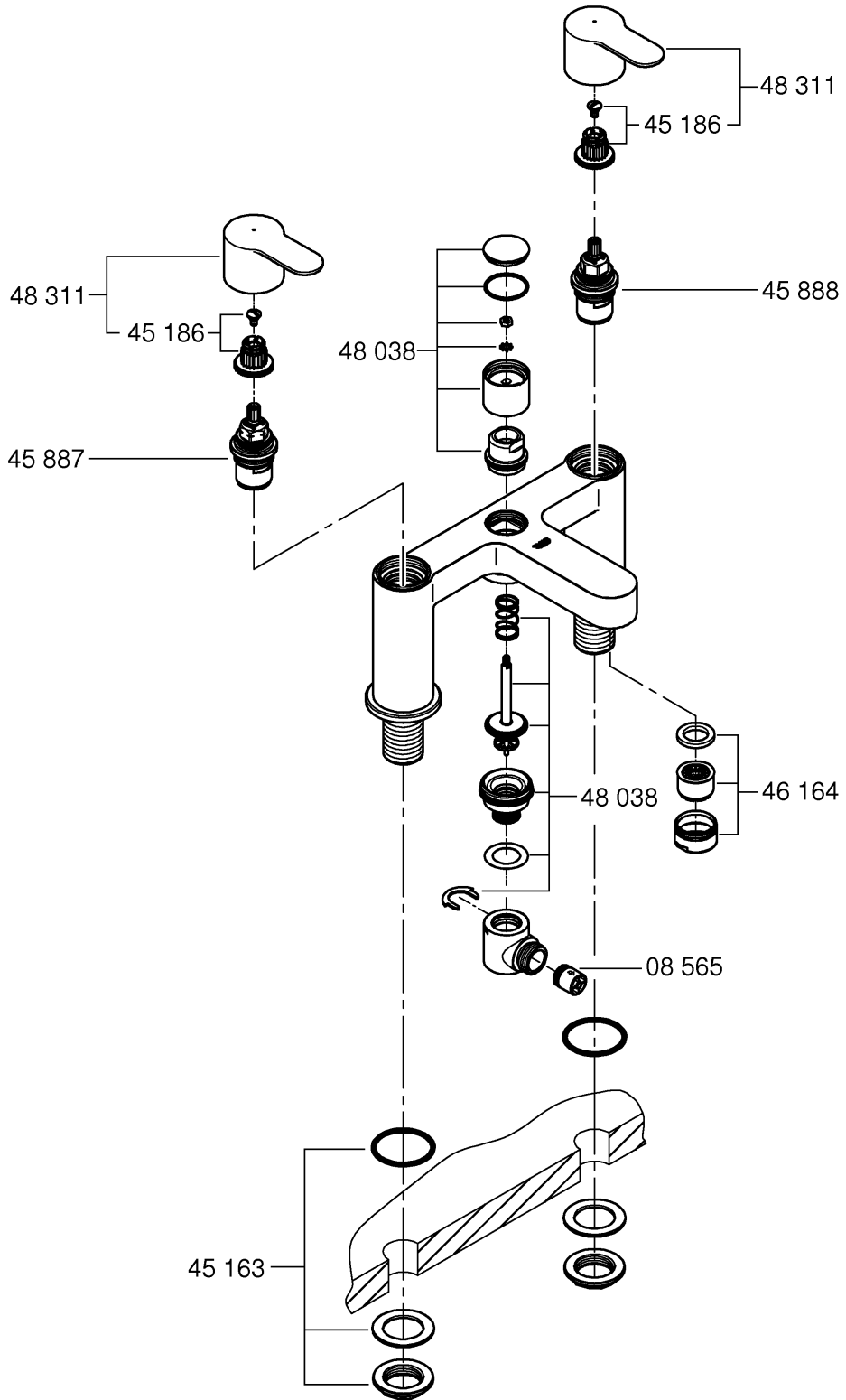


4



5





Pure Freude an Wasser

GROHE
WAVES

D

+49 571 3989 333
helpline@grohe.de

A

+43 1 68060
info-at@grohe.com

AUS

+(61) 1300 54945
grohe_australia@lixil.com

B

+32 16 230660
info.be@grohe.com

BG

+359 2 9719959
grohe-bulgaria@grohe.com

BR

0800 770 1222
falecom@grohe.com

CAU

+99 412 497 09 74
info-az@grohe.com

CDN

+1 888 6447643
info@grohe.ca

CH

+41 44 877 73 00
info@grohe.ch

CN

+86 4008811698
info.cn@grohe.com

CY

+357 22 465200
info@grome.com

CZ

+358 942 451 390
grohe-cz@grohe.com

DK

+45 44 656800
grohe@grohe.fi

E

+34 93 3368850
grohe@grohe.es

EST

+372 6616354
grohe@grohe.ee

F

+33 1 49972900
sav-fr@grohe.com

FIN

+358 942 451 390
grohe@grohe.fi

GB

+44 871 200 3414
info-uk@grohe.com

GR

+30 210 2712908
nsapountzis@ath.forthnet.gr

H

+36 1 2388045
info-hu@grohe.com

HK

+852 2969 7067
info@grohe.hk

I

+39 2 959401
info-it@grohe.com

IND

+91 1800 102 4475
customercare.in@grohe.com

IS

+354 515 4000
jonst@byko.is

J

+81 3 32989730
info@grohe.co.jp

KZ

+7 727 311 07 39
info-cac@grohe.com

LT

+372 6616354
grohe@grohe.ee

LV

+372 6616354
grohe@grohe.ee

MAL

info-malaysia@grohe.com

MX

01800 8391200
pregunta@grohe.com

N

+47 22 072070
grohe@grohe.no

NL

+31 79 3680133
vragen-nl@grohe.com

NZ

technicalenquiries@paterson
trading.co.nz

P

+351 234 529620
commercial-pt@grohe.com

PL

+48 22 5432640
biuro@grohe.com.pl

RI

0-800-1-046743
customercare-
indonesia@asia.lixil.com

RO

+40 21 2125050
info-ro@grohe.com

ROK

+82 2 1588 5903
info-singapore@grohe.com

RP

+63 2 8938681

RUS

+7 495 9819510
info@grohe.ru

S

+46 771 141314
grohe@grohe.se

SGP

+65 6311 3611
info-singapore@grohe.com

SK

+420 277 004 190
grohe-cz@grohe.com

T

+66 21681368
(Haco Group)
info@haco.co.th

TR

+90 216 441 23 70
GroheTurkey@grome.com

UA

+38 44 5375273
info-ua@grohe.com

USA

+1 800 4447643
us-customerservice@grohe.com

VN

+84 90 9694768
+84 90 9375068
info-vietnam@grohe.com

AL **BiH** **HR** **KS**

ME **MK** **SLO** **SRB**

+385 1 2911470
adria-hr@grohe.com

**Eastern Mediterranean,
Middle East - Africa
Area Sales Office:**

+357 22 465200
info@grome.com

IR **OM** **UAE** **YEM**

+971 4 3318070
grohedubai@grome.com

Far East Area Sales Office:

+65 6311 3600
info@grohe.com.sg

Latin America:

+52 818 3050626
pregunta@grohe.com

www.grohe.com

2016/09/28