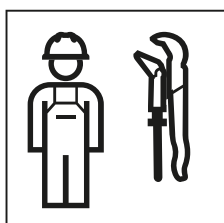
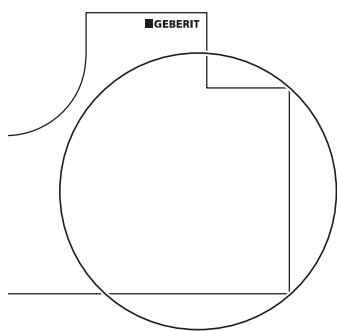
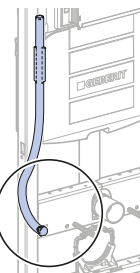
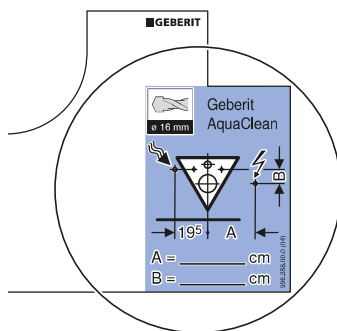
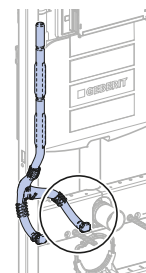
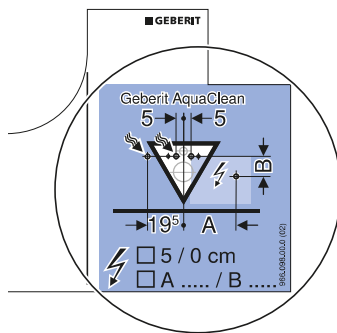
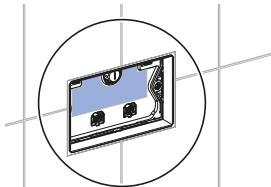
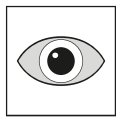
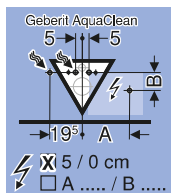
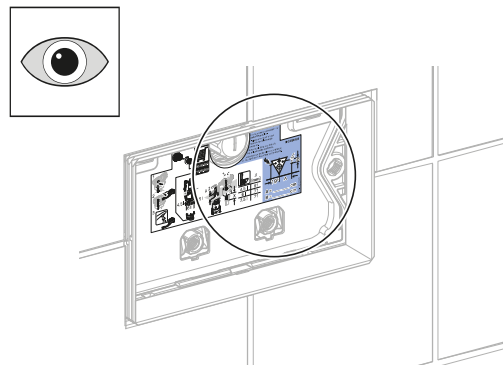
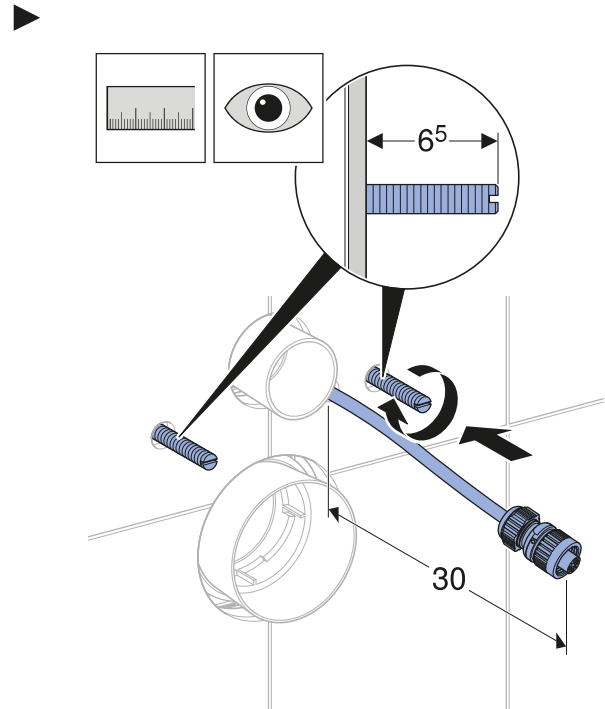
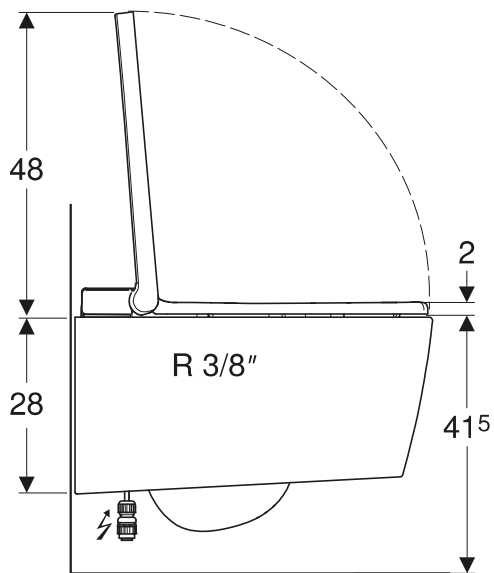
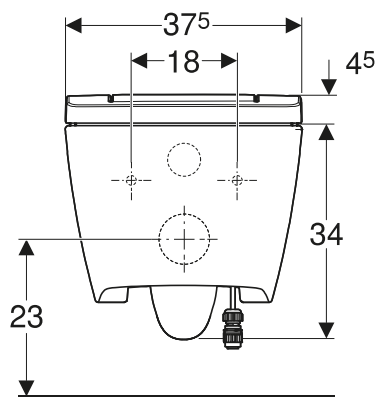
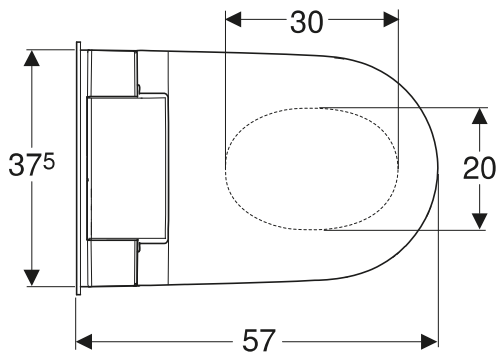


INSTALLATION MANUAL

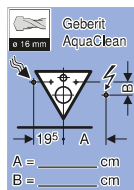
MONTAGEANLEITUNG
INSTRUCTIONS DE MONTAGE
ISTRUZIONI PER IL MONTAGGIO







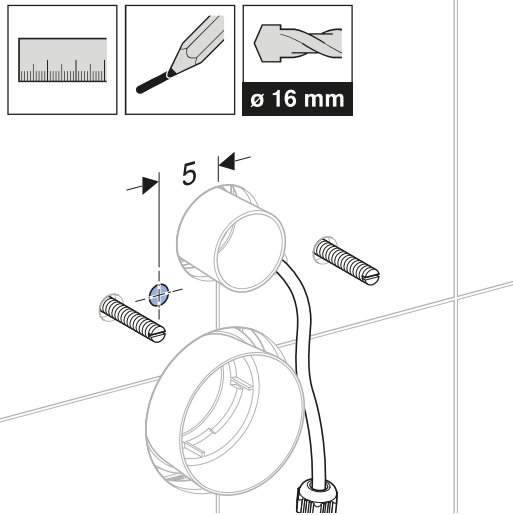
➔ **1** **A** 📄 5



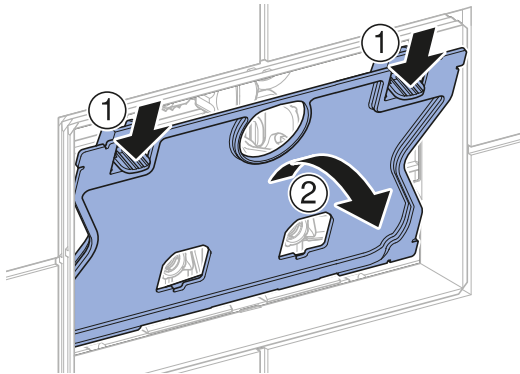
➔ **1** **B** 📄 7

1 A

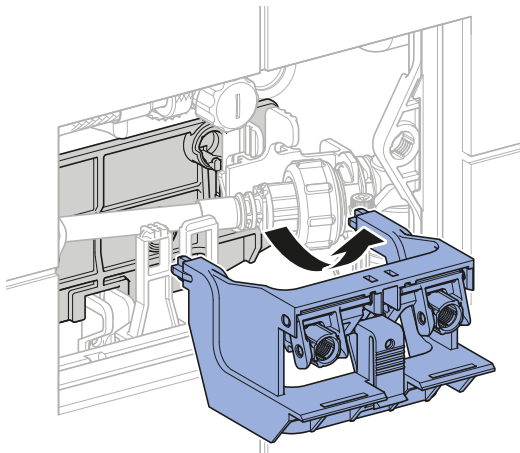
1



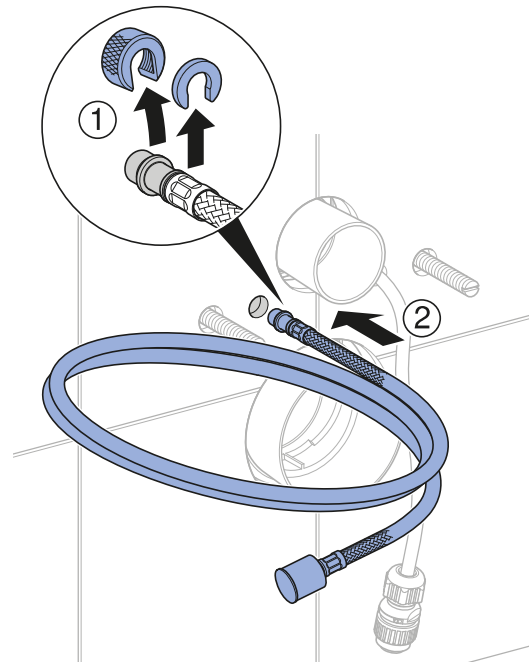
2



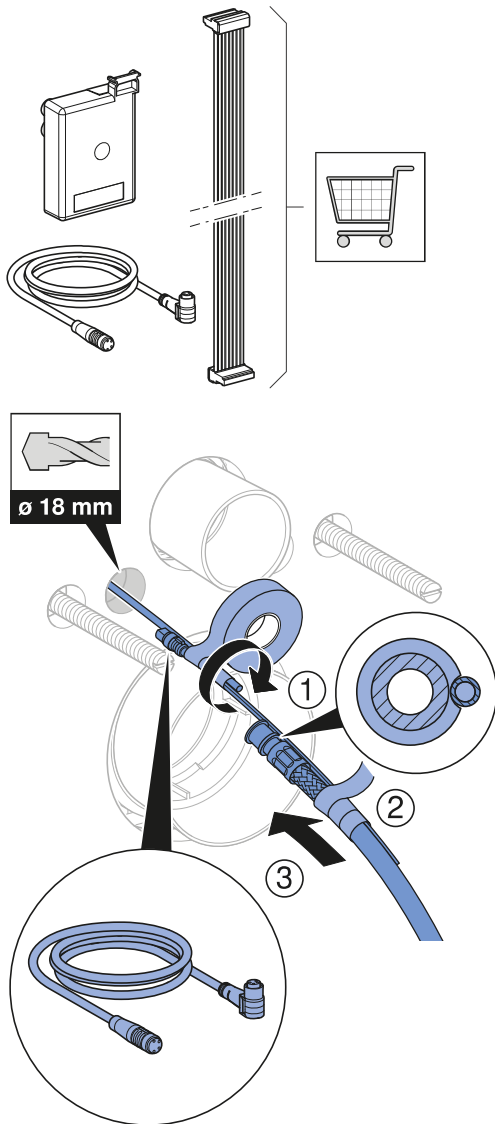
3



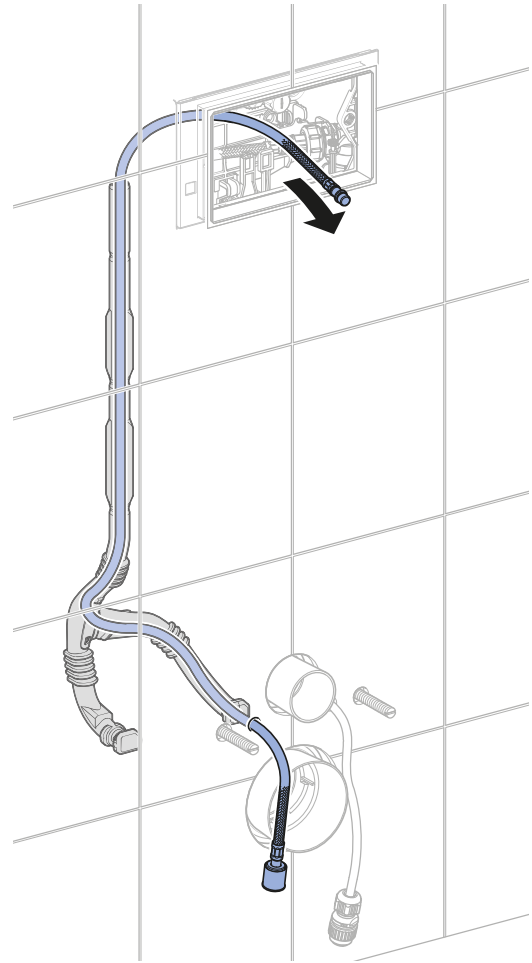
4



i

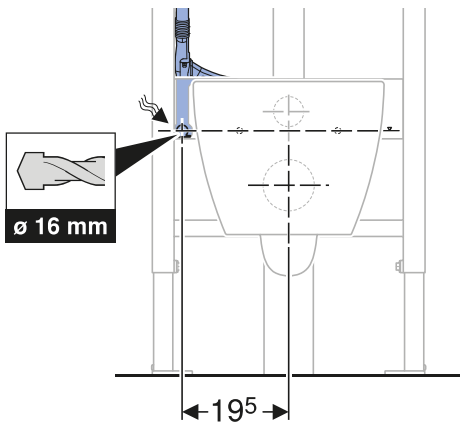
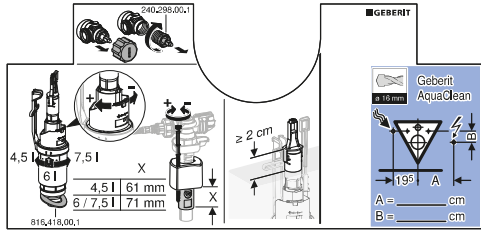


5

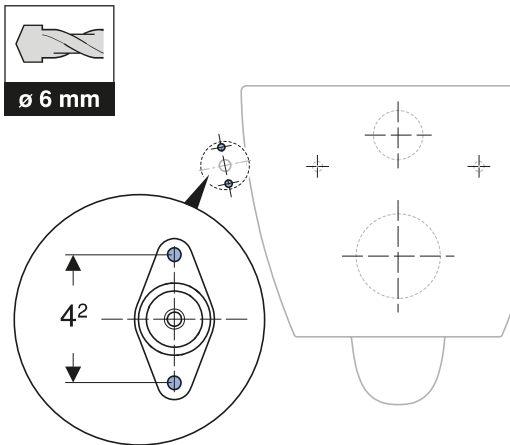


1 B

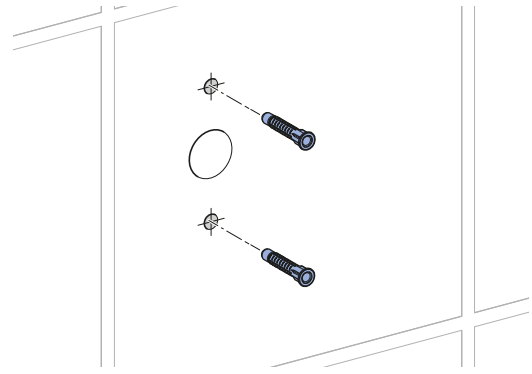
1



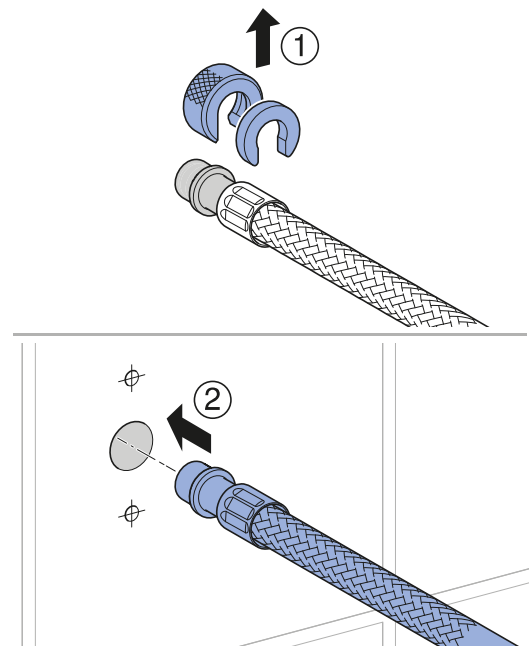
2



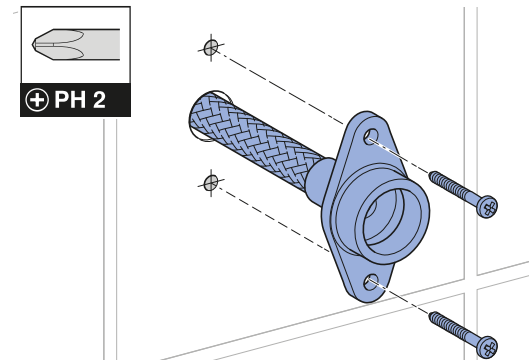
3



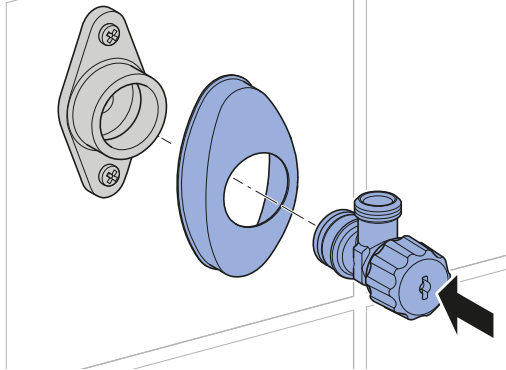
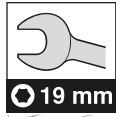
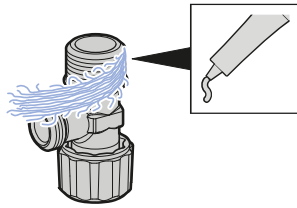
4



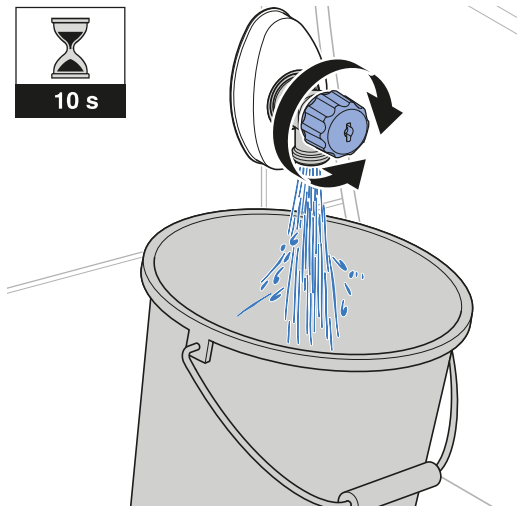
5



6

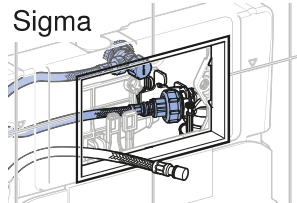


7



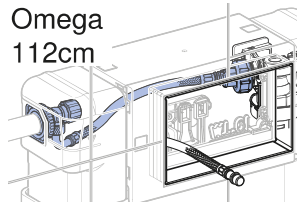
2

Sigma



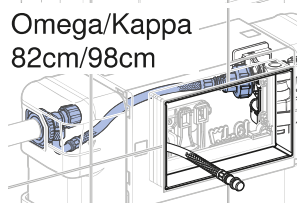
2 A 9

Omega
112cm



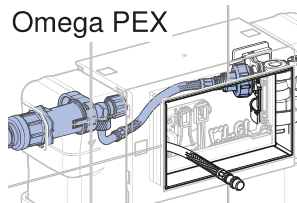
2 B 10

Omega/Kappa
82cm/98cm



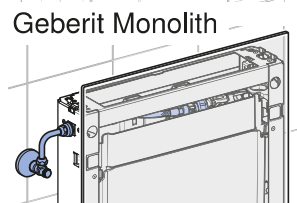
2 C 11

Omega PEX



2 D 12

Geberit Monolith

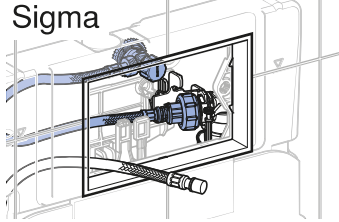


2 E 13

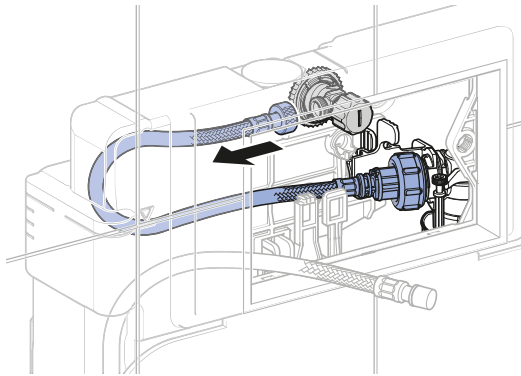
2 A

✓

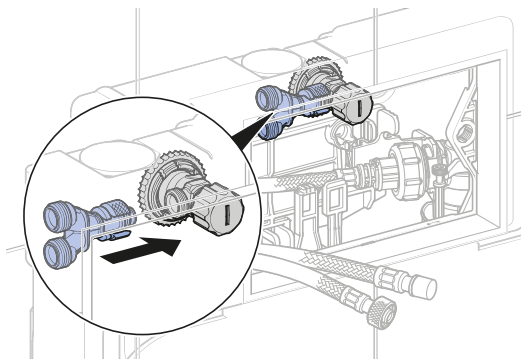
Sigma



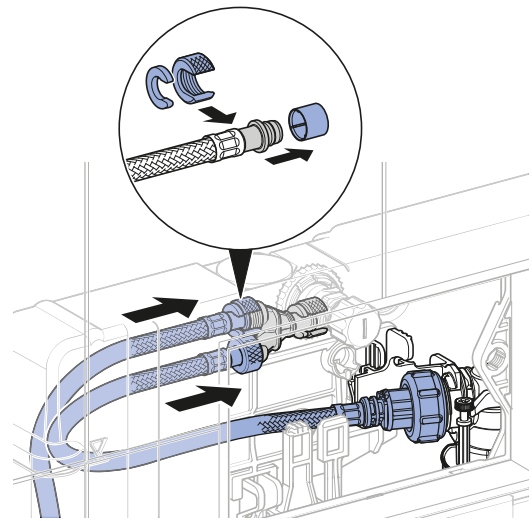
1



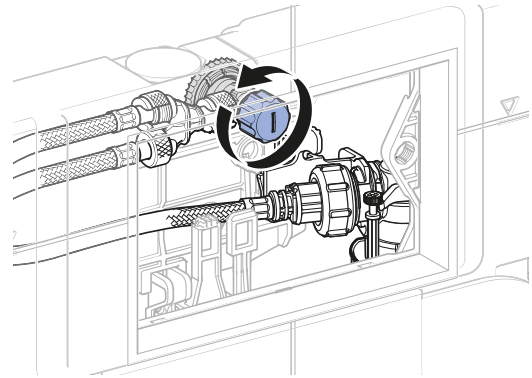
2



3



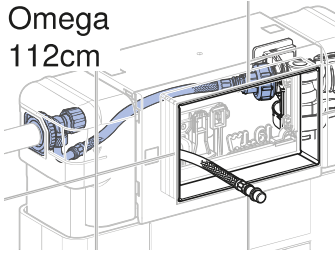
4



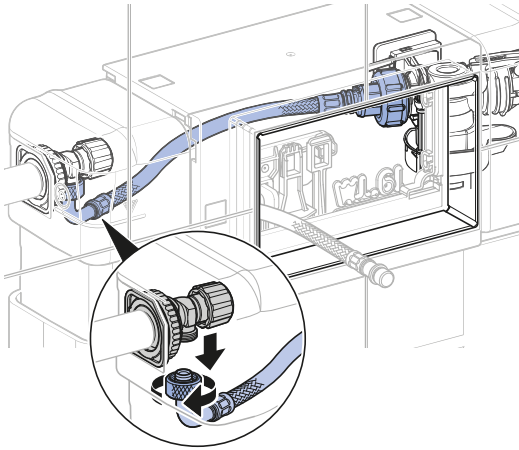
2 B

✓

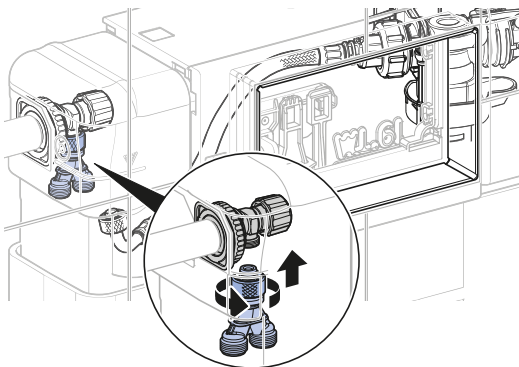
Omega
112cm



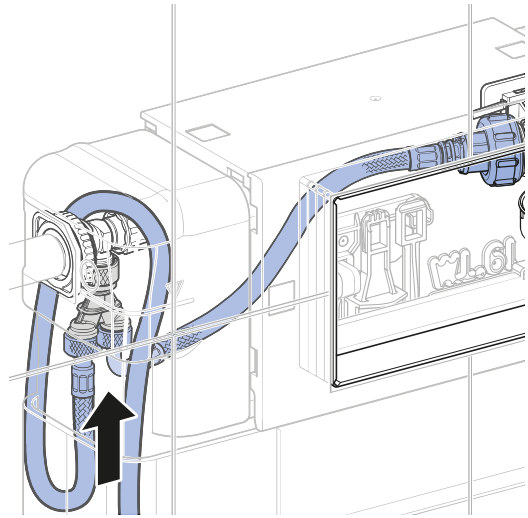
1



2



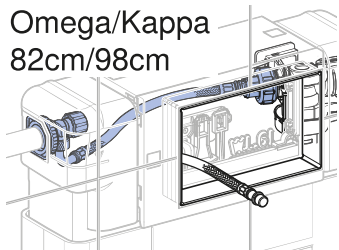
3



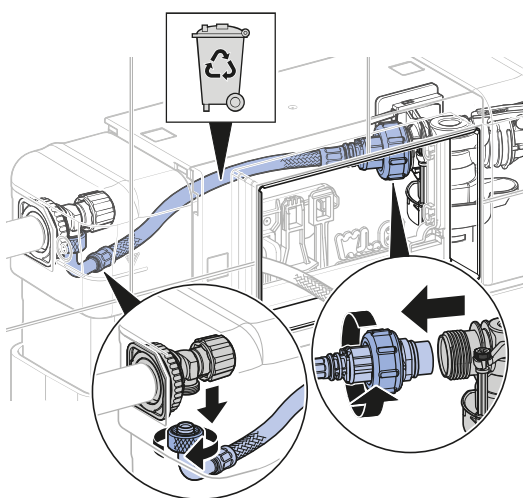
2 C



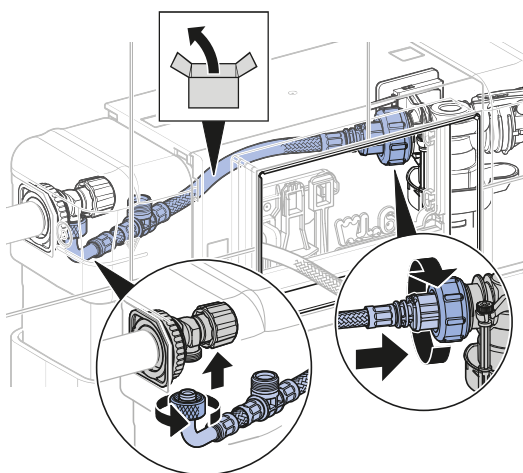
Omega/Kappa
82cm/98cm



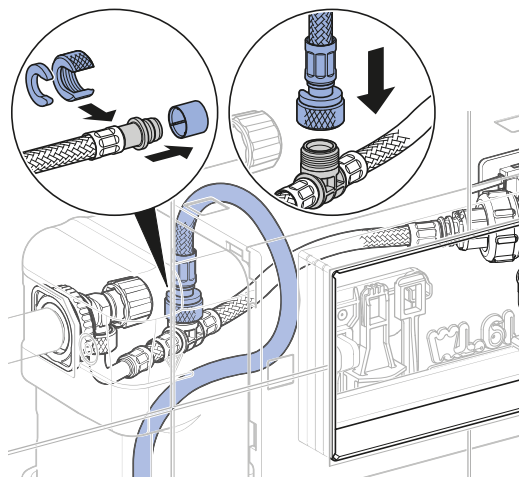
1



2



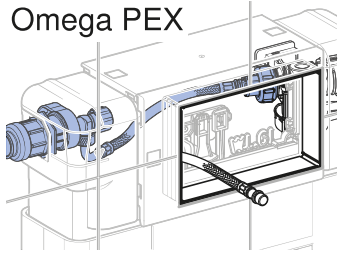
3



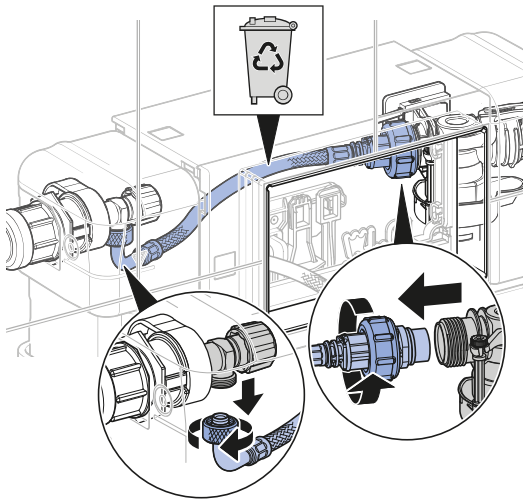
2 D

✓

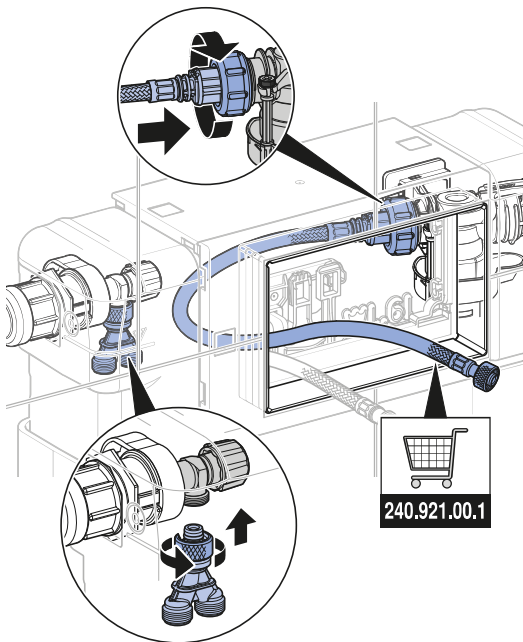
Omega PEX



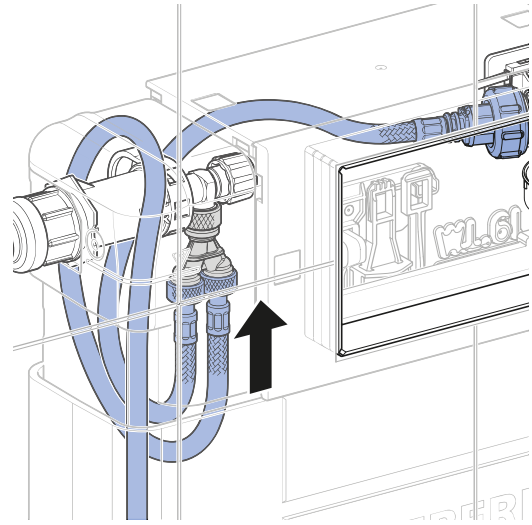
1



2



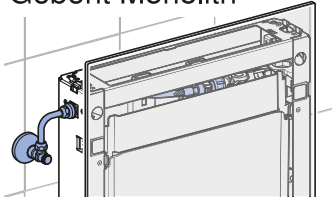
3



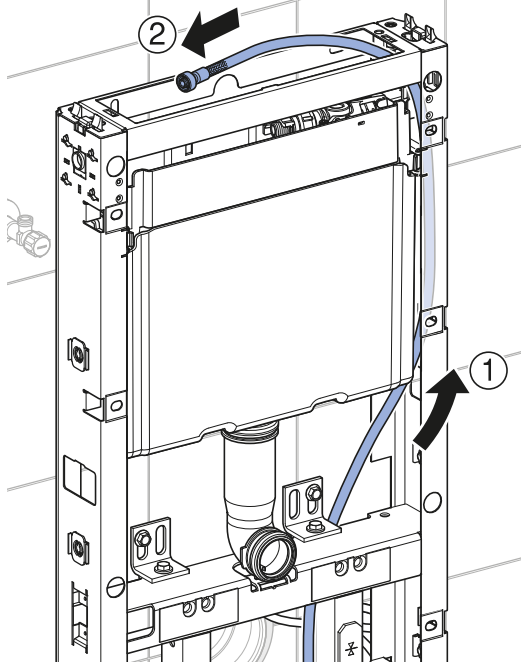
2 E



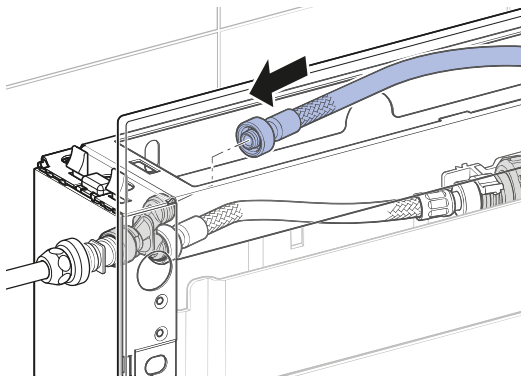
Geberit Monolith



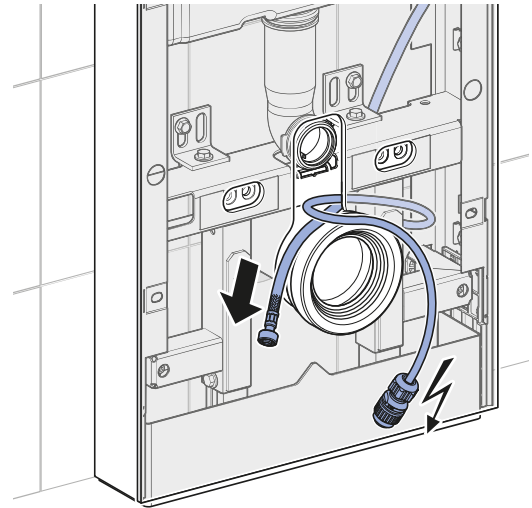
1



2

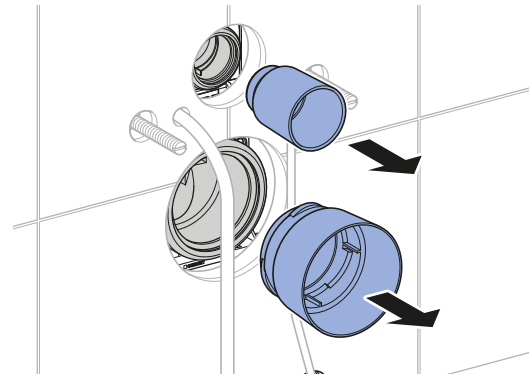


3

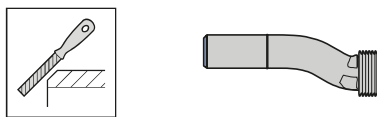
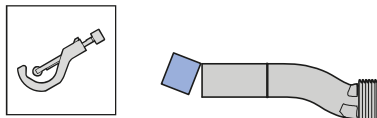
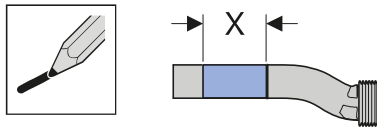
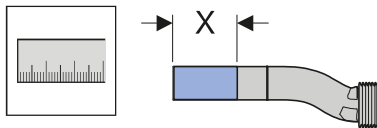
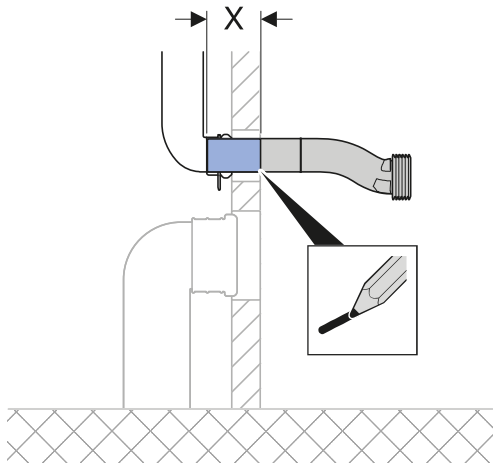
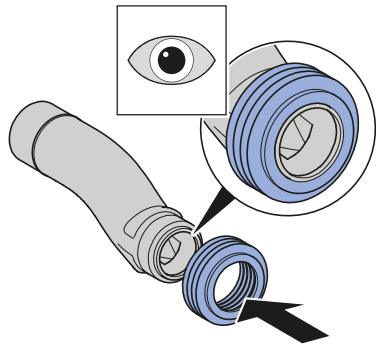


3

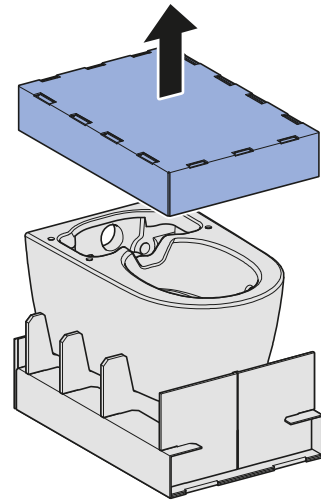
1



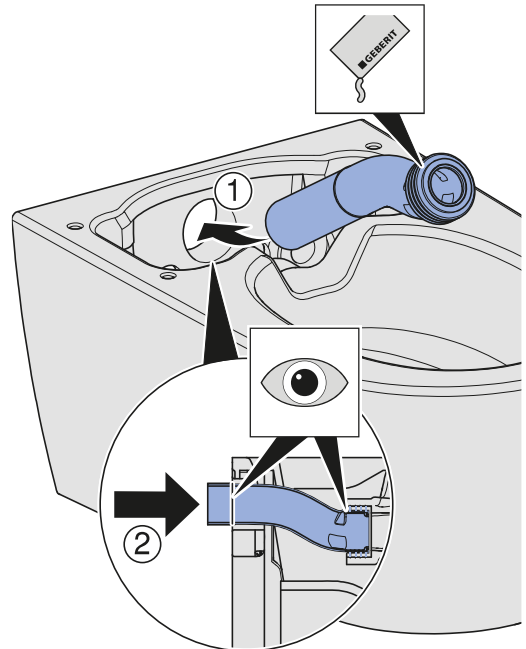
2



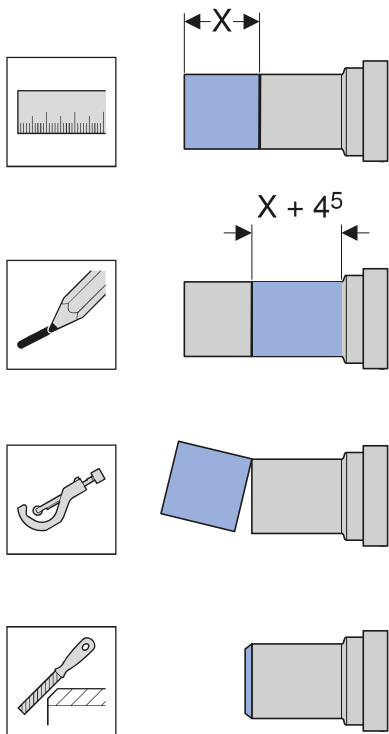
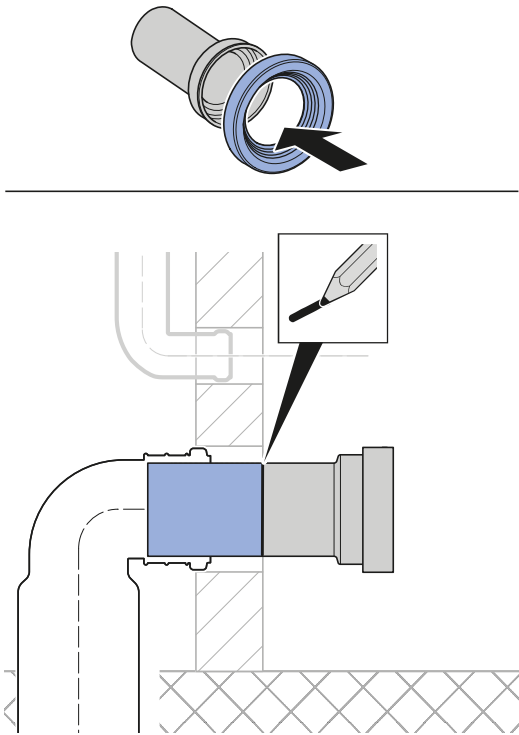
3



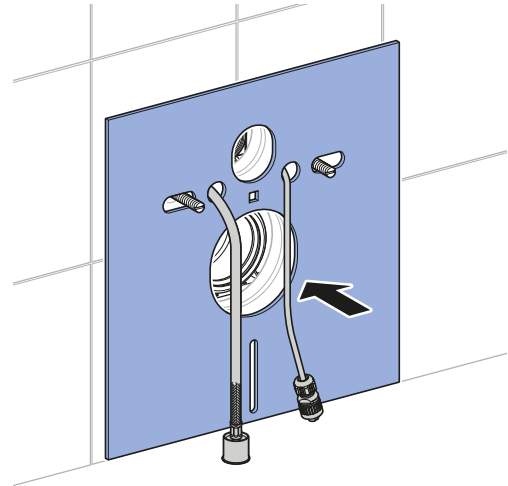
4



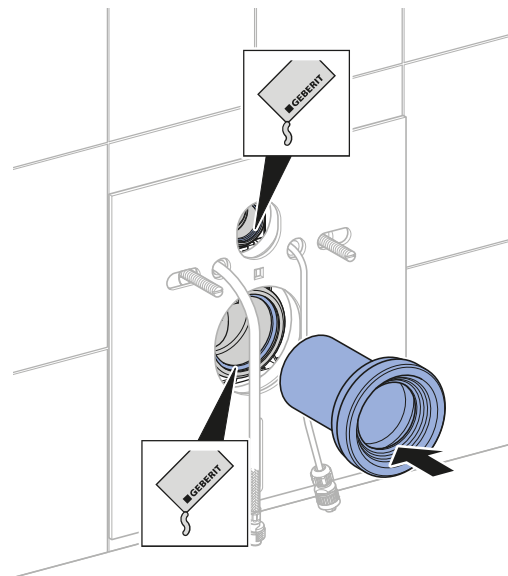
5



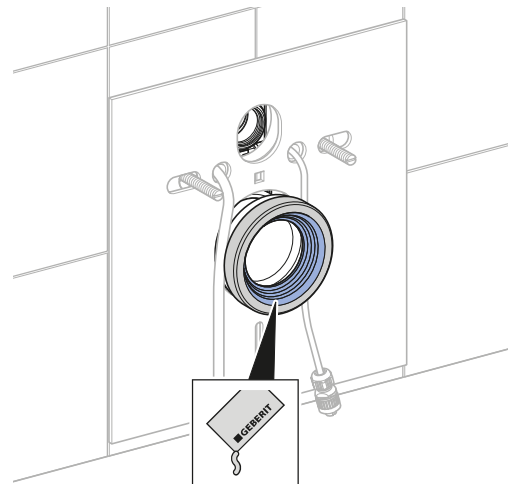
6



7

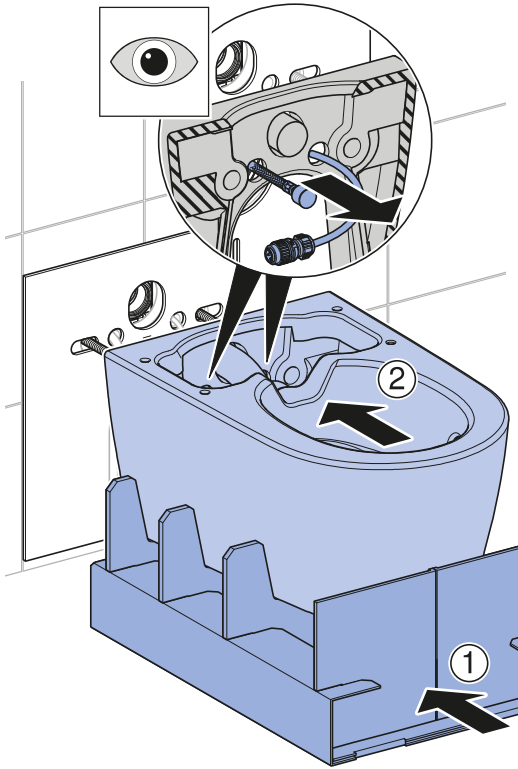


8

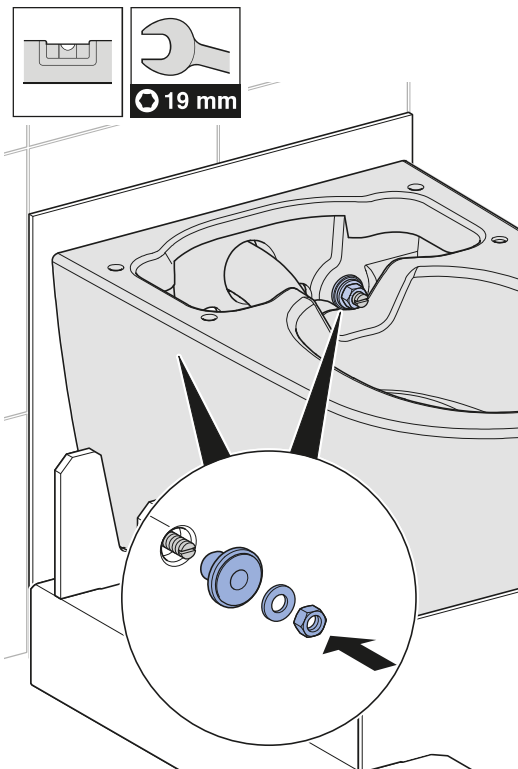


4

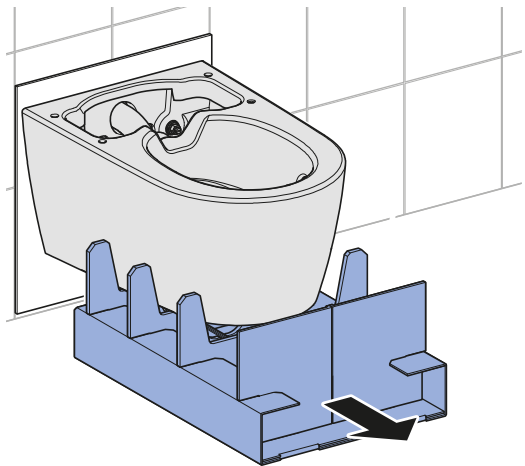
1



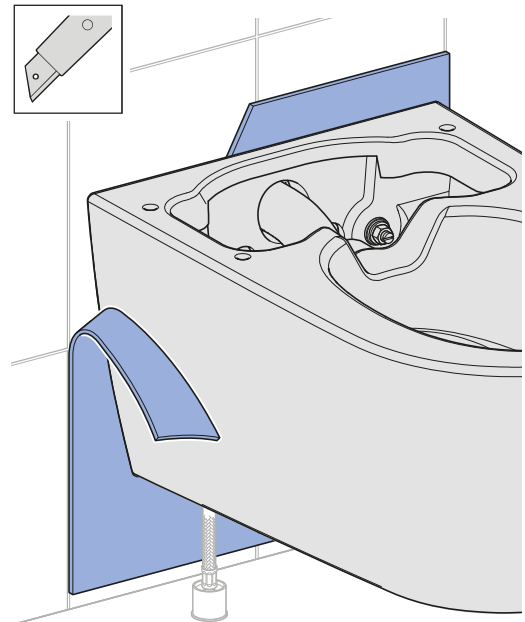
2



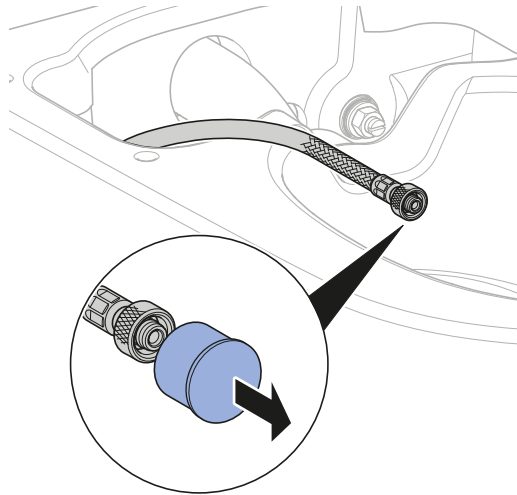
3



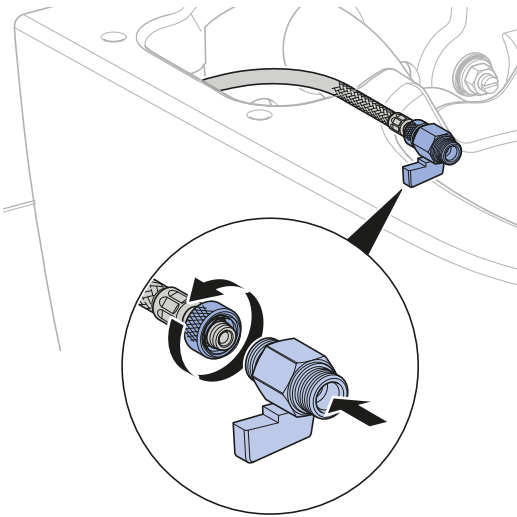
4



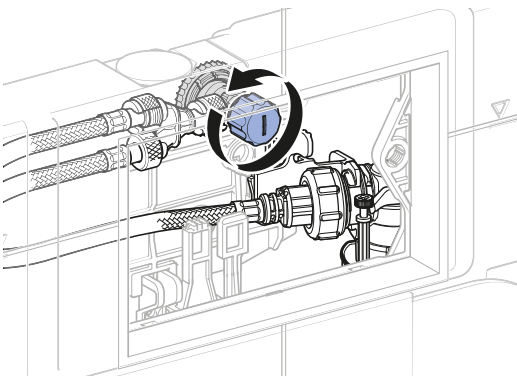
5



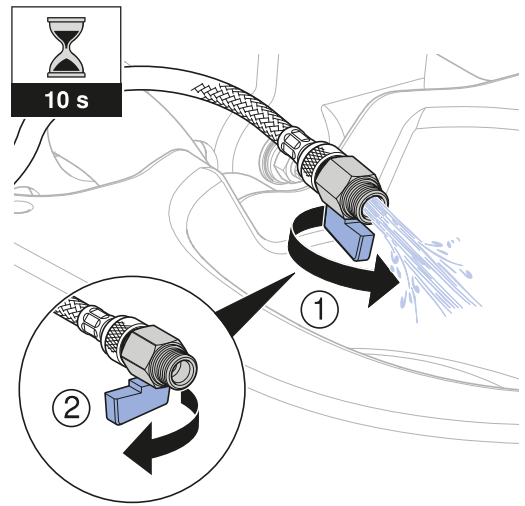
6



7

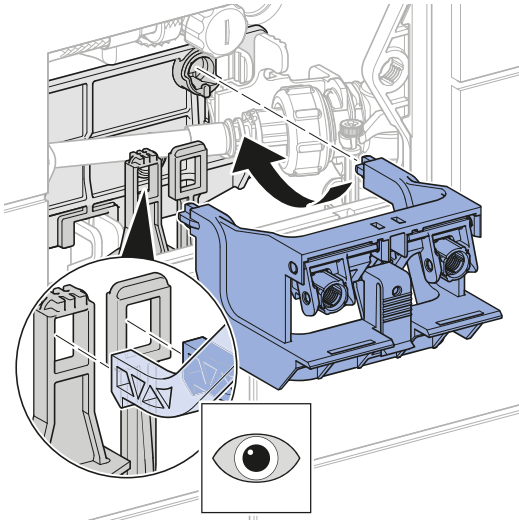


8

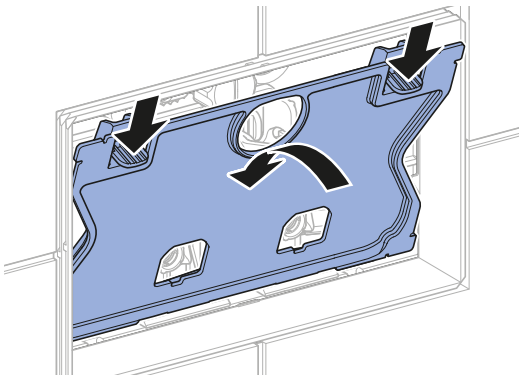


5

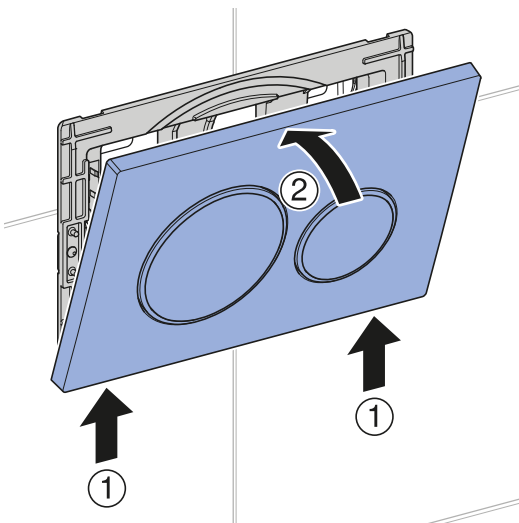
1



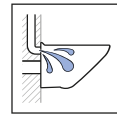
2



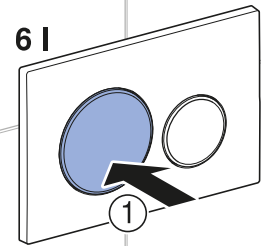
3



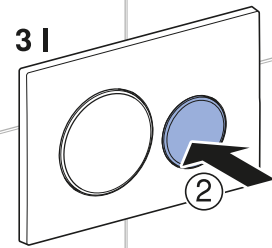
4



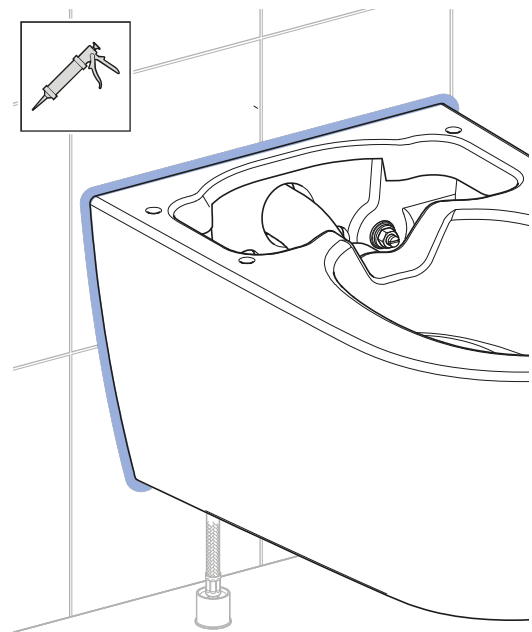
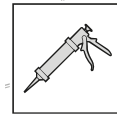
6 I



3 I

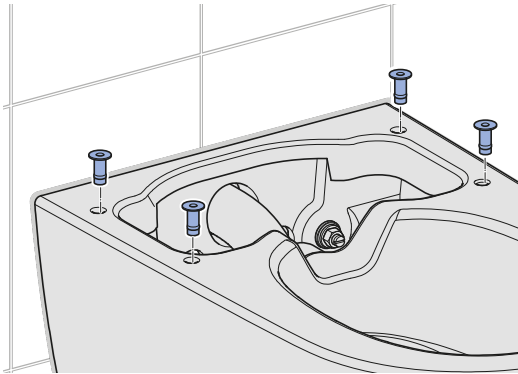


i

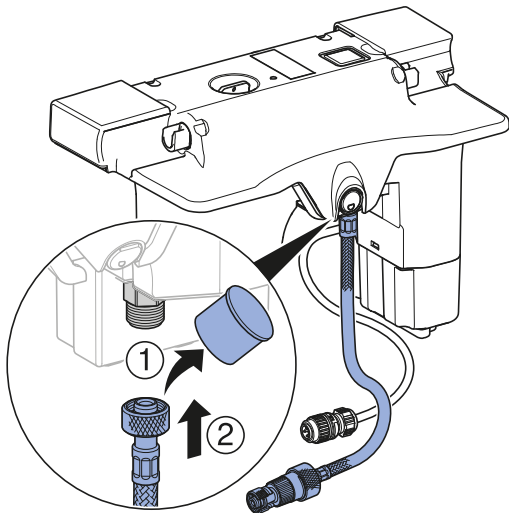


6

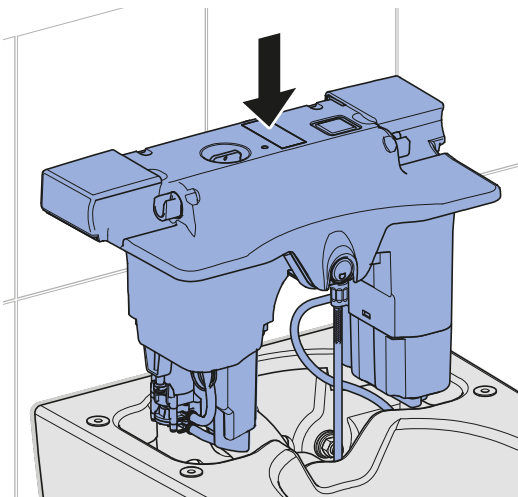
1



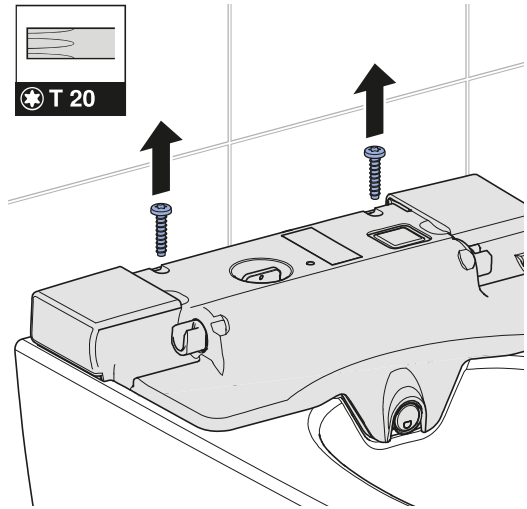
2



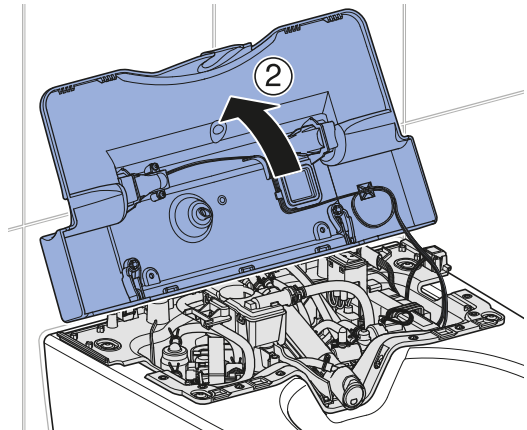
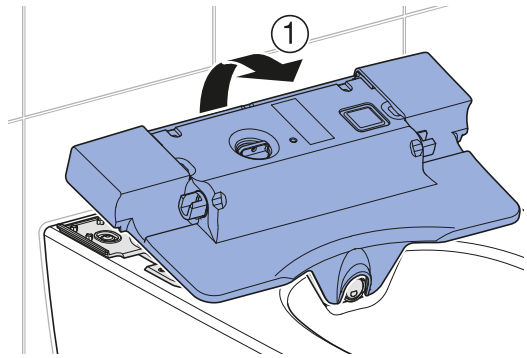
3



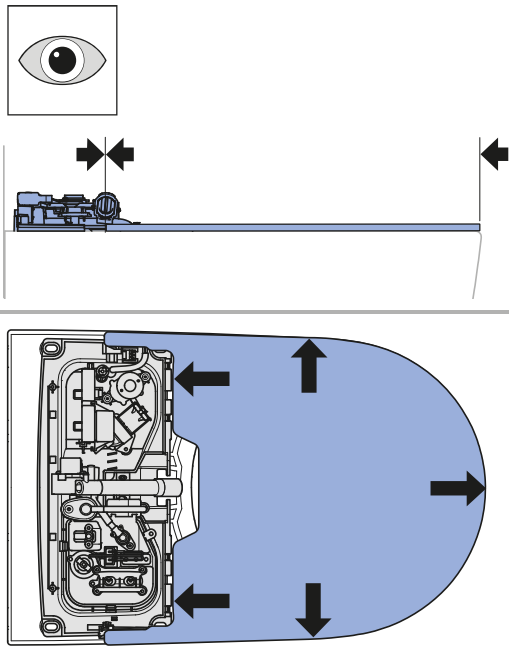
4



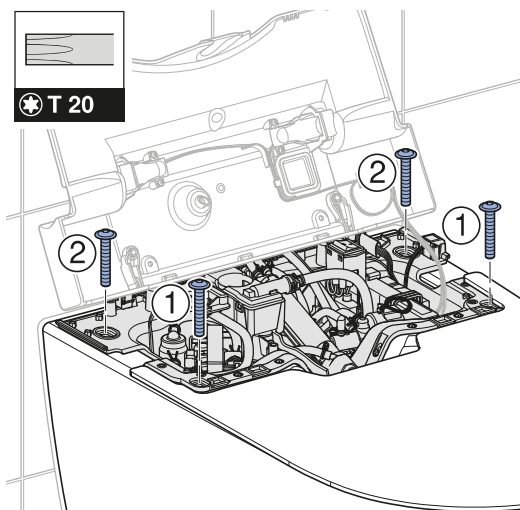
5



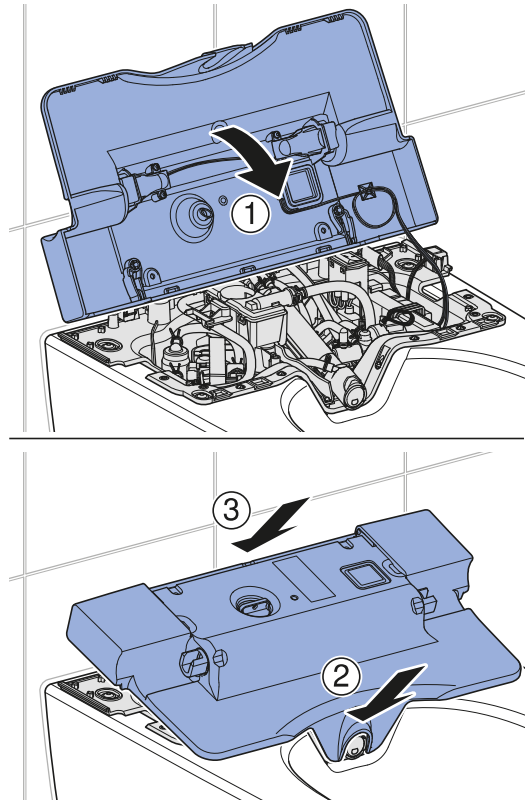
6



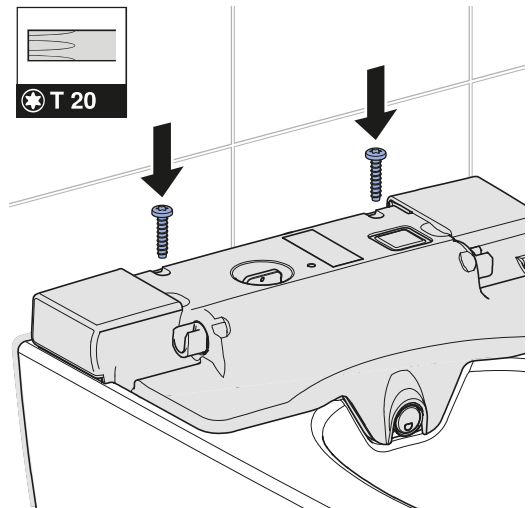
7



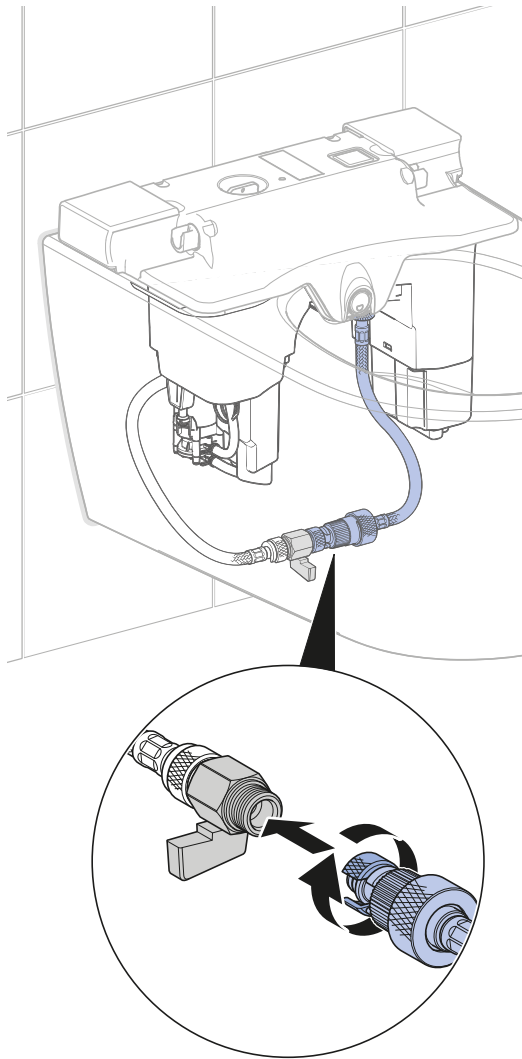
8



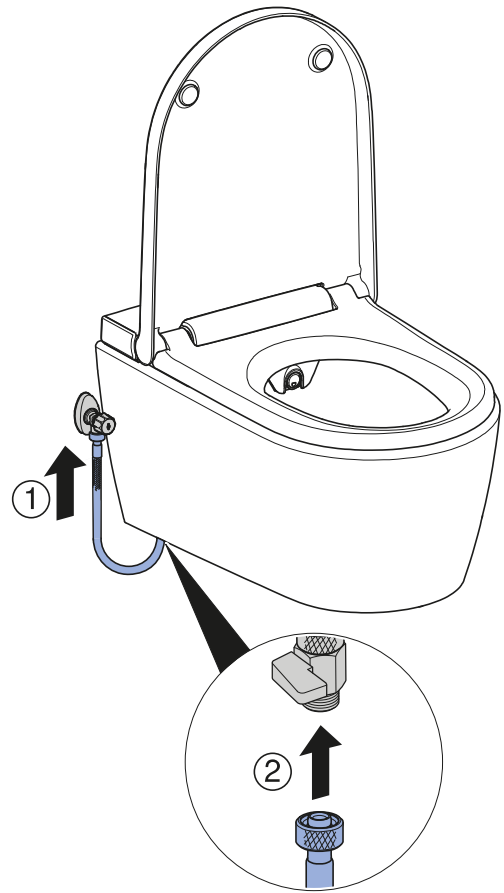
9



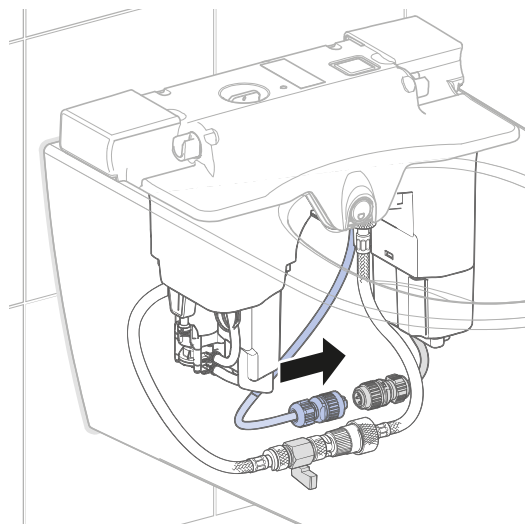
10



i

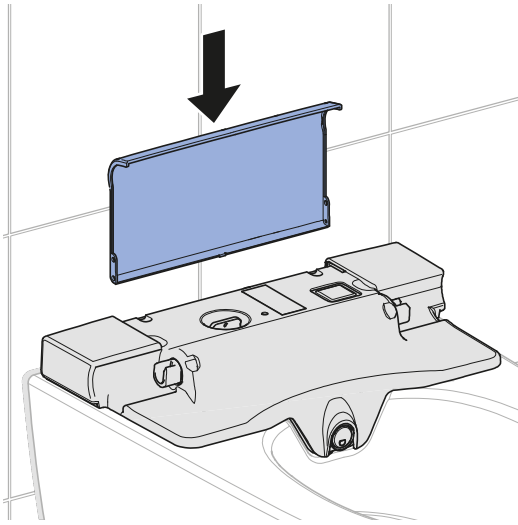


11

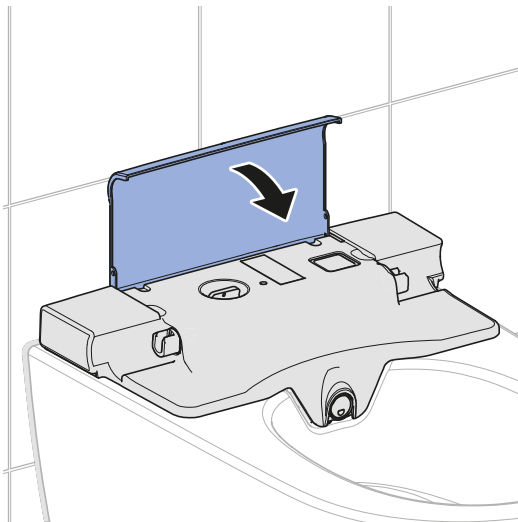


7

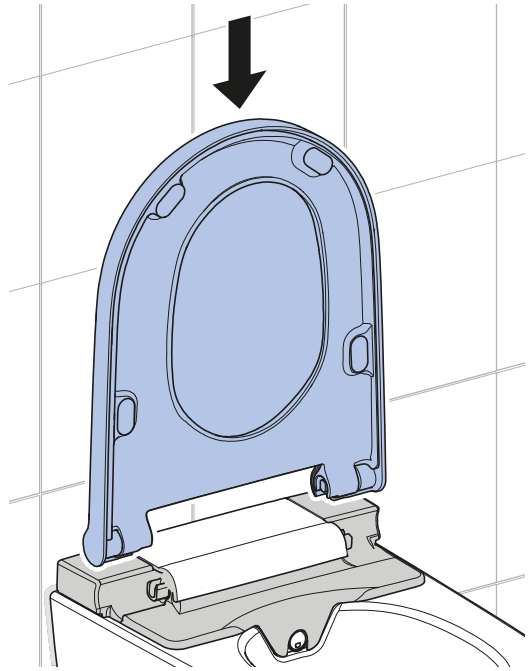
1



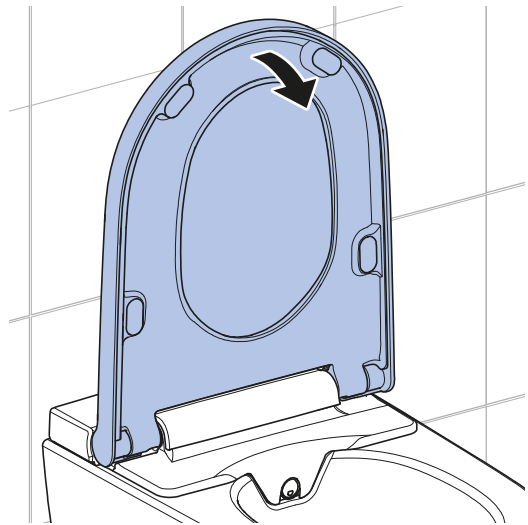
2



3



4

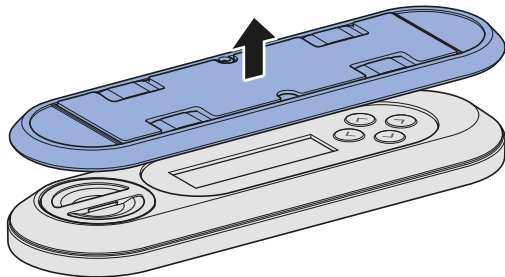


Function test

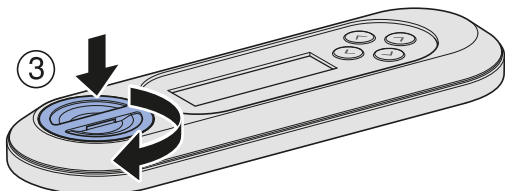
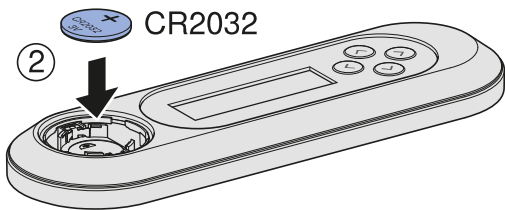
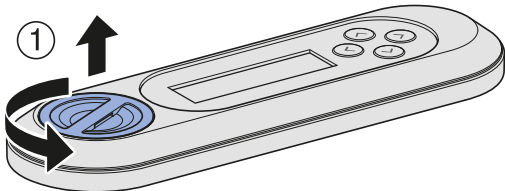
Putting the remote control into operation

- i** If several devices of the same type are installed in immediate proximity (e.g. in hotels), the remote control must be assigned. → See "Re-assigning the remote control", page 34.

- 1** Detach the wall-mounted holder.



- 2** Open the battery compartment and insert battery.

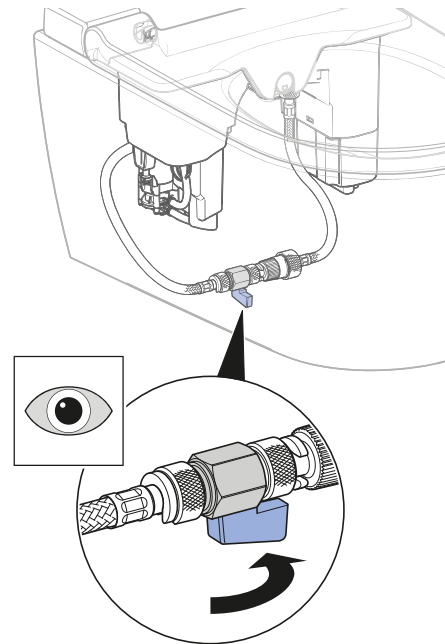


Switching on the device

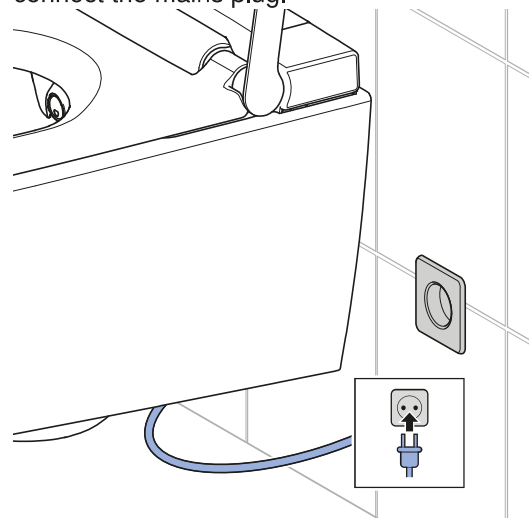
Prerequisite

- The device has been mounted and connected.
- The spray shield has been mounted.
- The upper design cover has been mounted.
- If the interface module for flush actuation has been installed as an option: all the plugs are connected.

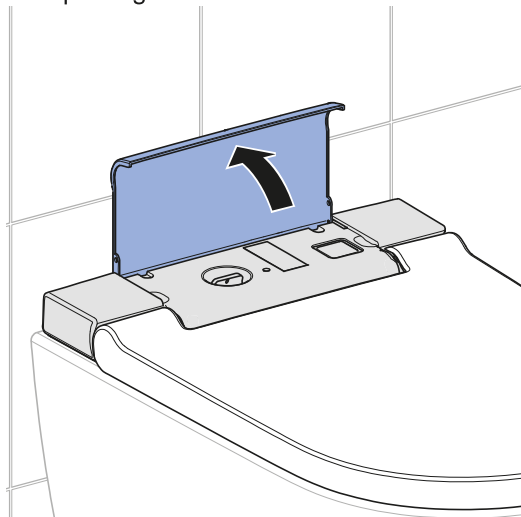
- 1** Open the water supply at the ball valve.



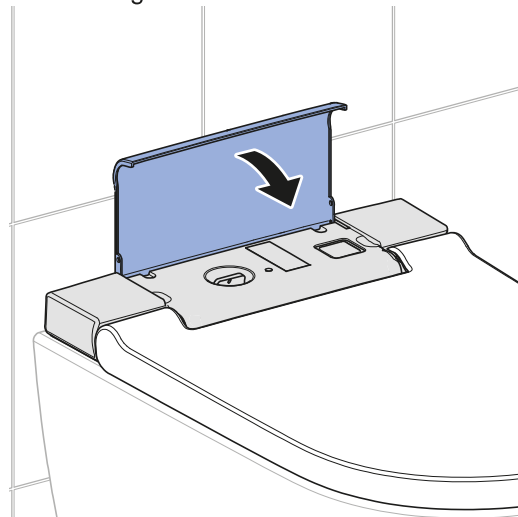
- i** If there is no direct mains connection, connect the mains plug.



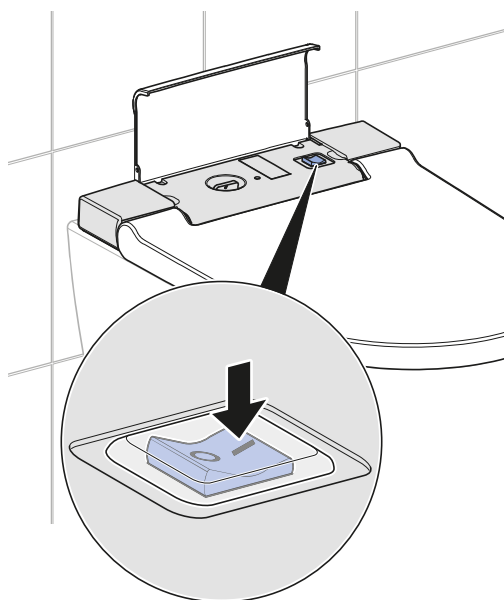
2 Lift up design cover.



4 Close design cover.



3 Switch on device.



- ✓ The device initialises after switching on.
The orientation light flashes blue.

Result

- ✓ The orientation light lights up.
- ✓ The device is ready for operation.

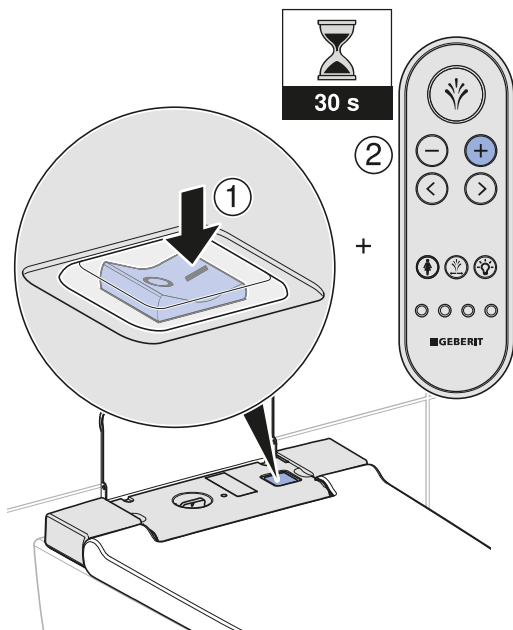
Re-assigning the remote control

- i** The device can only be operated with a single, assigned remote control.

Prerequisite

- The device is switched off.

- ▶ Switch the device on and, at the same time, press the <+> button on the remote control for approx. 30 seconds until [Pairing ok] appears on the display.



Result

- ✓ The shower toilet can be controlled by remote control.

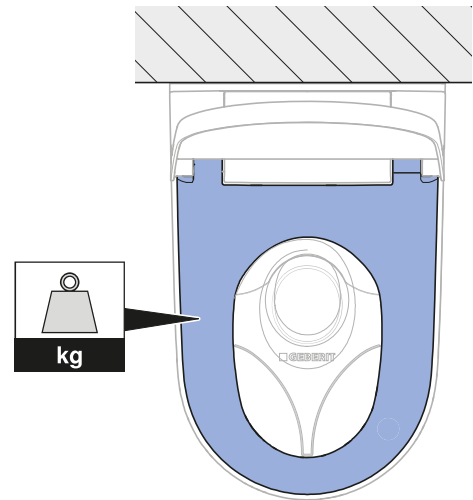
Testing automatic flush actuation

The following test must only be performed if the device is fitted with the optional interface module for flush actuation (art. no. 147.039.00.1).

Prerequisite

- The automatic flush actuation has been fully installed.
- The automatic flush actuation has been switched on in the main menu [Basic settings].
- All plug connections are connected correctly.

- ▶ Apply a load to the WC seat ring for more than 10 seconds. Then remove the load.

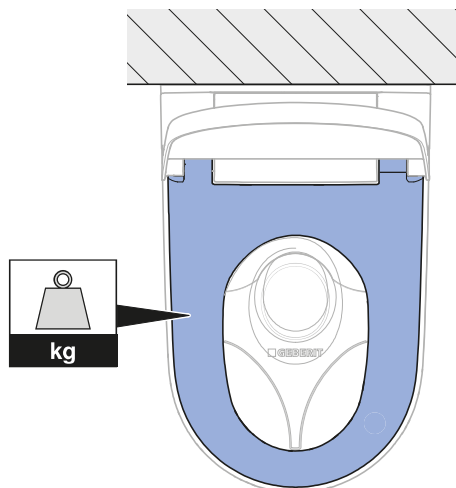


Result

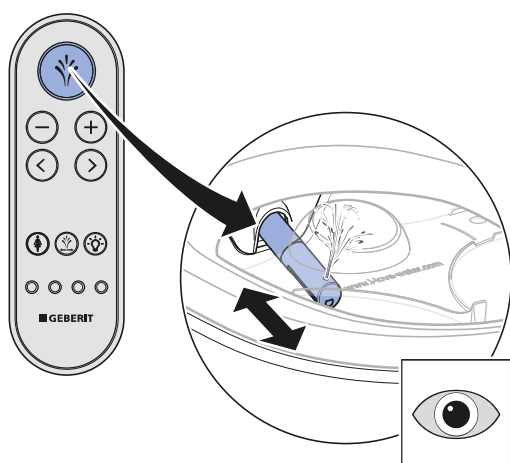
- ✓ A flush is actuated after around 5 seconds.

Testing the remote control

- i** For the following test steps, weight must be applied to the WC seat ring to simulate a user.

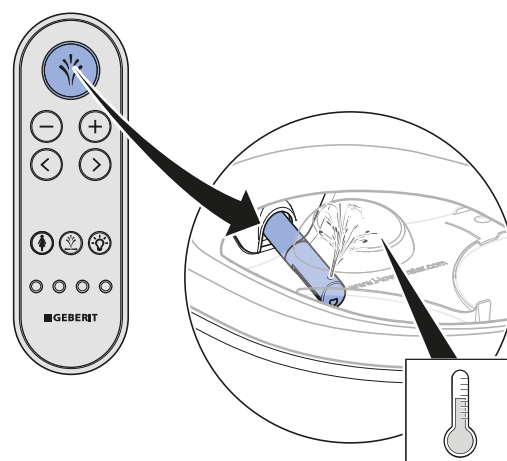


1 Test the anal shower function.



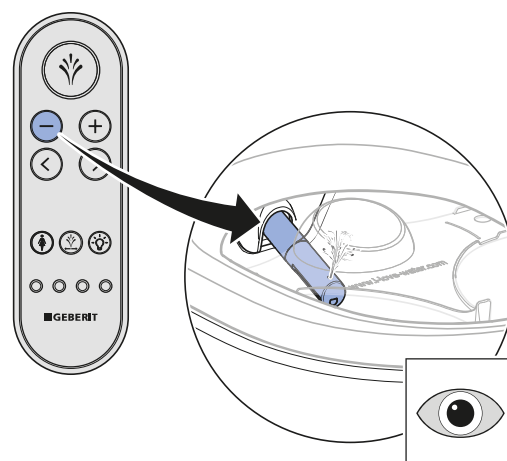
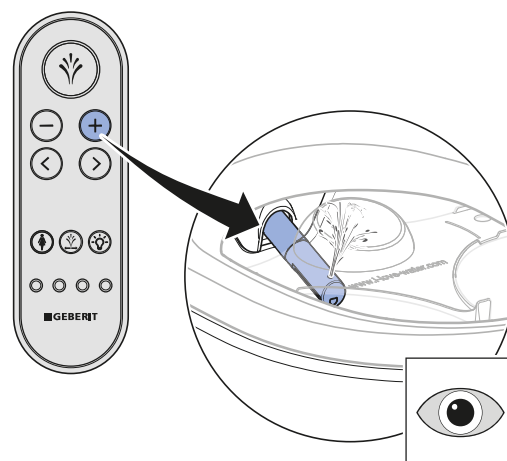
- ✓ The device performs nozzle cleaning.
- ✓ The spray arm extends.
- ✓ The anal shower starts.
- ✓ After completing the shower cycle, the spray arm retracts.
- ✓ The device performs nozzle cleaning.

2 Test shower water temperature.



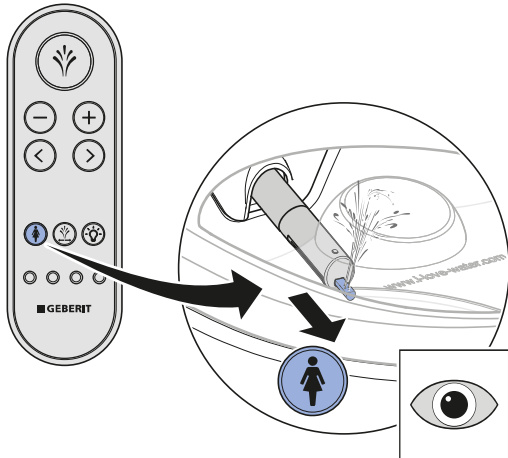
- ✓ The shower water is noticeably heated over the entire shower cycle.

3 Test adjustability of spray intensity.



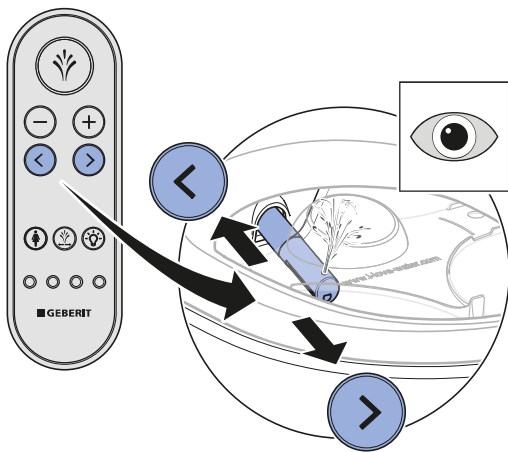
- ✓ During a shower cycle, the spray intensity can be altered.

4 Test the Lady shower function.



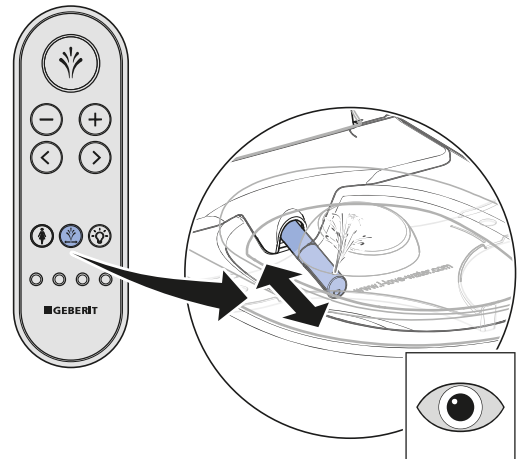
- ✓ The device performs nozzle cleaning.
- ✓ The spray arm and the Lady shower nozzle extend.
- ✓ The Lady shower function starts.
- ✓ All nozzle openings are active.
- ✓ After completing the shower cycle, the spray arm and the Lady shower nozzle retract.
- ✓ The device performs nozzle cleaning.

5 Test the spray arm position.



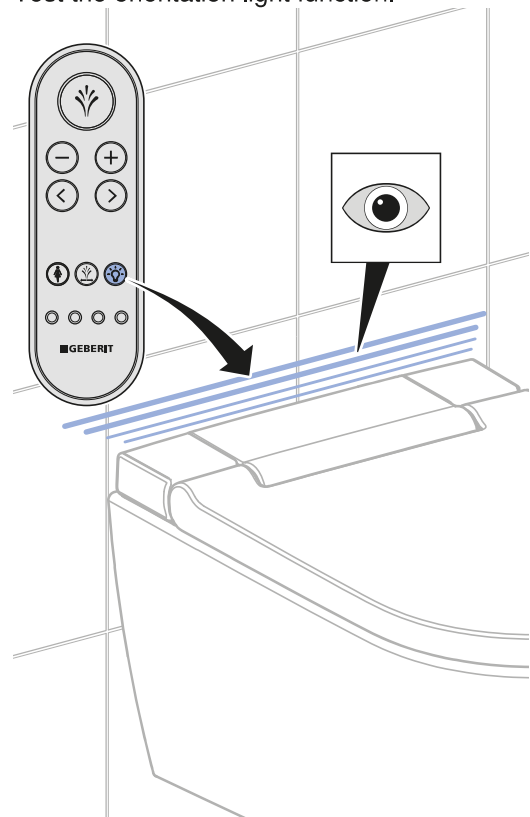
- ✓ The spray arm moves forwards/backwards.

6 Test the oscillating function.



- ✓ The oscillating motion starts/stops.

7 Test the orientation light function.



- ✓ The orientation light goes out/lights up.

Adjusting basic settings to customer's wishes

Adjusting basic settings

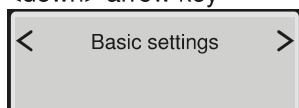
i The basic settings of the device are set from the rear of the remote control.

i The following steps are shown in shortened form. See user manual for an overview of the complete menu.

Prerequisite

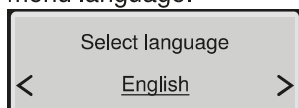
- The function test of the device was performed successfully.
- The function test of the remote control was performed successfully.

1 Launch [Basic settings] main menu via the <left>/<right> arrow key. Confirm via the <down> arrow key

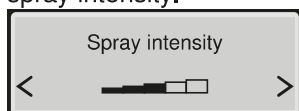


i Select submenus with the <up> and <down> arrow keys. Configure settings with the <left> and <right> arrow keys.

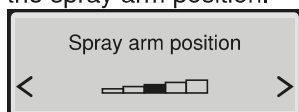
2 Launch the [Select language] menu. Set the menu language.



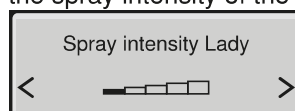
3 Launch the [Spray intensity] menu. Set the spray intensity.



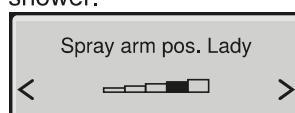
4 Launch the [Spray arm position] menu. Set the spray arm position.



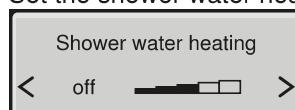
5 Launch the [Spray intensity Lady] menu. Set the spray intensity of the Lady shower.



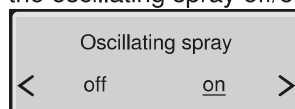
6 Launch the [Spray arm pos. Lady] menu. Set the spray arm position of the Lady shower.



7 Launch the [Shower water heating] menu. Set the shower water heating.

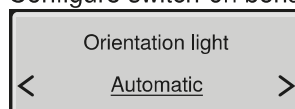


8 Launch the [Oscillating spray] menu. Switch the oscillating spray off/on.

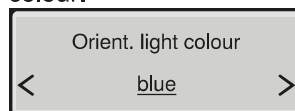


- ✓ [on] = The oscillating function of the anal shower is activated.
- ✓ [off] = The oscillating function of the anal shower is deactivated.

9 Launch the [Orientation light] menu. Configure switch-on behaviour.

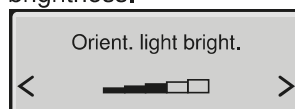


10 Launch the [Orient. light colour] menu. Set colour.

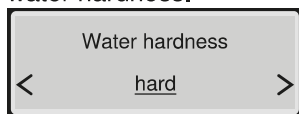


i If Geberit Monolith Plus is installed, select the same colour.

11 Launch the [Orient. light bright.] menu. Set brightness.



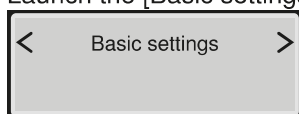
- 12** Launch the [Water hardness] menu. Set the hardness value in accordance with the local water hardness.



Range	° fH	° dH	° eH
soft	≤ 15	≤ 8	≤ 11
medium	15–25	8–14	11–18
hard	> 25	> 14	> 18

- i** Set to [hard] if you do not know the local water hardness.

- 13** Launch the [Basic settings] menu.



Result

- ✓ The settings are saved.
- ✓ The device is installed correctly.

Commissioning

Putting the device into operation

Prerequisite

- The function test of the remote control was performed successfully.
- The device is installed correctly.

- 1** Remove the spray shield.



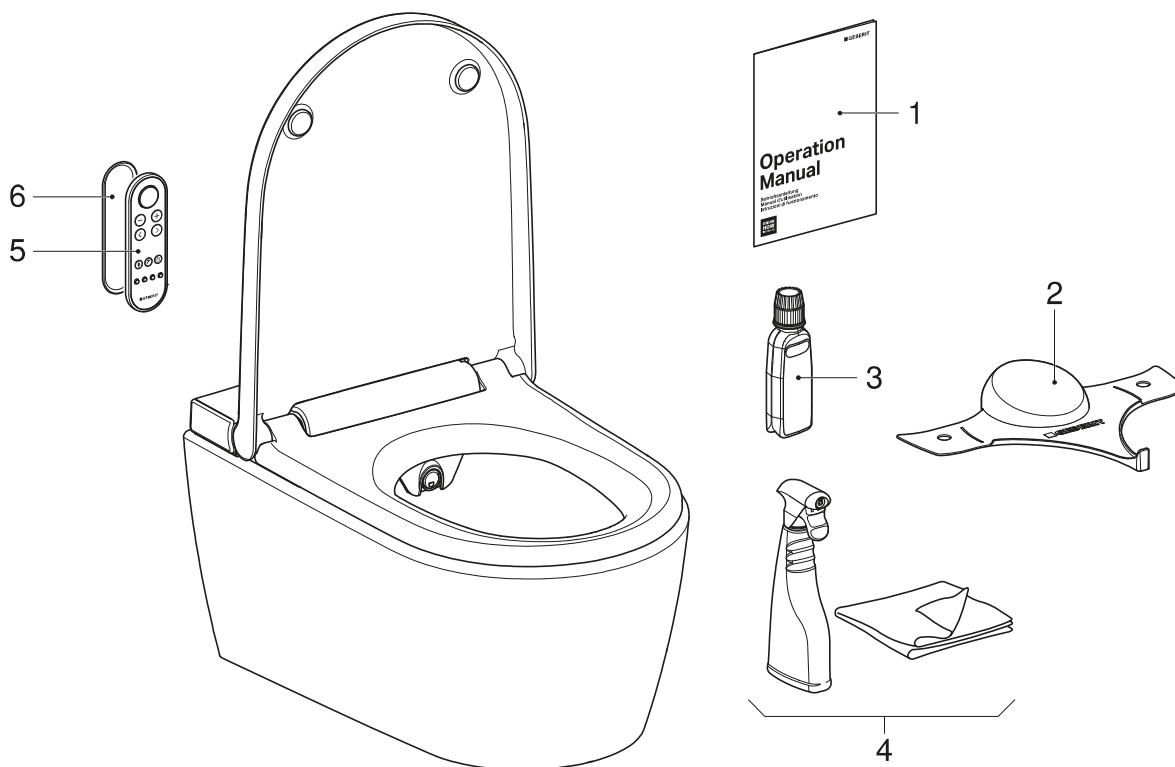
- 2** Clean the device.

- 3** Close the WC seat and WC lid.

Result

- ✓ The device is ready for operation and can be handed over to the customer.

Handing over the device



- 1 User manual
- 2 Geberit AquaClean spray shield
- 3 Geberit AquaClean descaling agent
- 4 Geberit AquaClean cleaning set
- 5 Remote control
- 6 Wall-mounted holder for remote control

Prerequisite

- Initial commissioning was performed successfully.
- All components are operable and undamaged.

1 Attach a second serial number sticker to the last page of the user manual so that it is available for later use.

2 Instruct the customer with regard to operation and cleaning, as per the user manual.

i Provide information on the annual descaling cycle. For detailed information on operation and cleaning, see user manual.

3 Hand over complete end user documentation and scope of delivery.

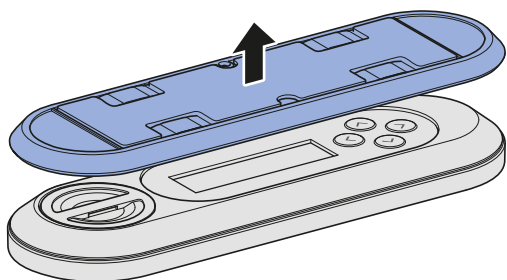
4 Fill in the warranty card together with the customer, attach the serial number sticker and send it to Geberit.

Test de fonctionnement

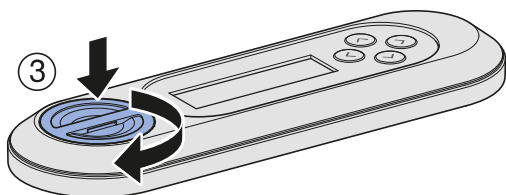
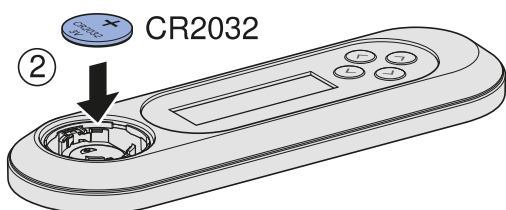
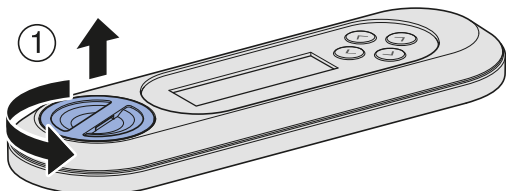
Mettre en service la télécommande

- i** Si plusieurs appareils du même type sont installés à proximité l'un de l'autre (p. ex. dans le domaine hôtelier), la télécommande de chaque appareil doit être assignée. → Voir « Jumeler la télécommande », page 42.

- 1** Retirer le support mural.



- 2** Ouvrir le compartiment à pile et mettre la pile en place.

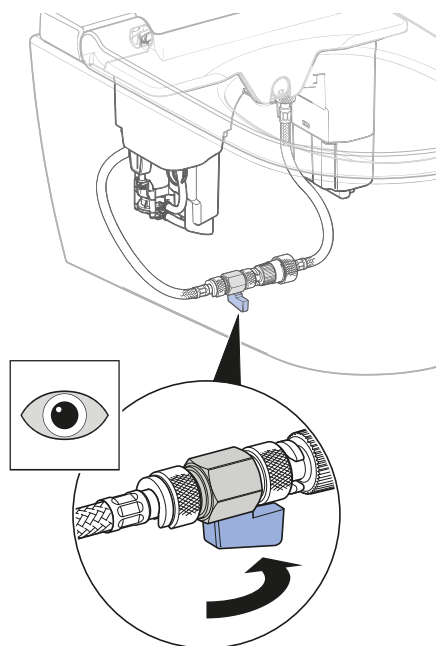


Mise en marche de l'appareil

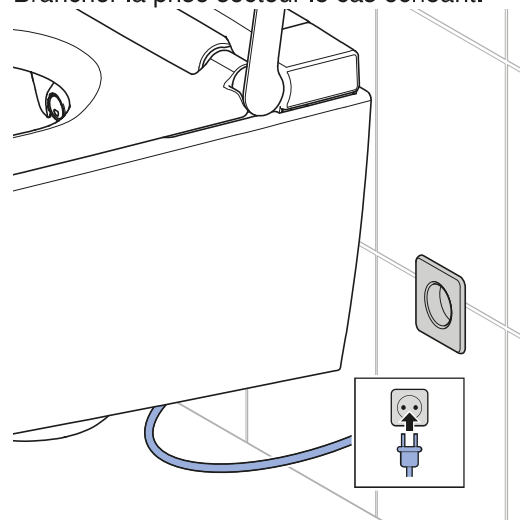
Condition requise

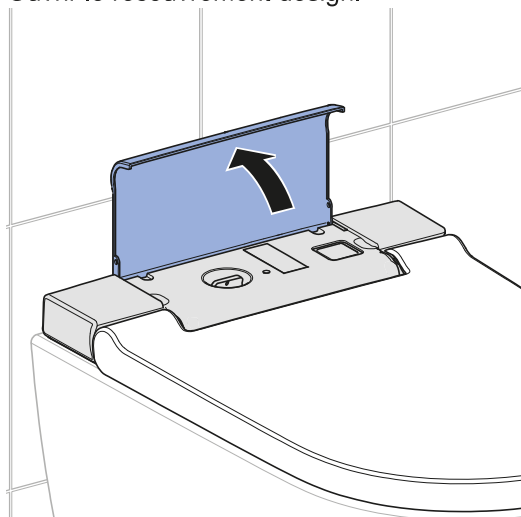
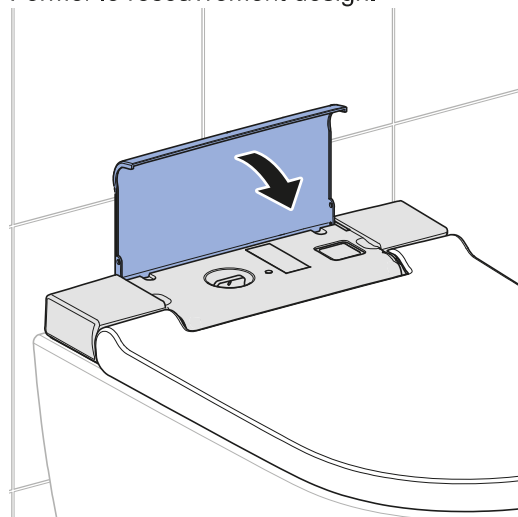
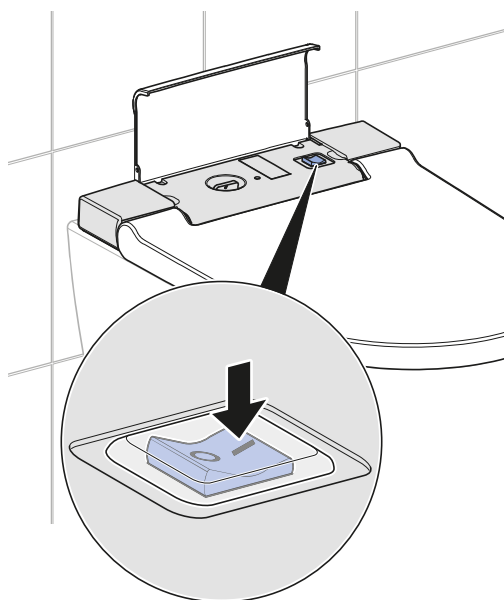
- L'appareil est monté et raccordé.
- Le cache de protection anti-éclaboussures est monté.
- Le recouvrement design supérieur est monté.
- En présence du module d'interface pour le déclenchement du rinçage : toutes les fiches sont reliées.

- 1** Ouvrir l'arrivée d'eau sur le robinet à bois-seau sphérique.



- i** Brancher la prise secteur le cas échéant.



2 Ouvrir le recouvrement design.**4** Fermer le recouvrement design.**3** Allumer l'appareil.

- ✓ L'appareil s'initialise après avoir été allumé. La lampe d'orientation clignote en bleu.

Résultat

- ✓ La lampe d'orientation est allumée.
- ✓ L'appareil est prêt à être utilisé.